

This Owner's Manual is provided and hosted by [Appliance Factory Parts](#).



# ASKO D5253THS Owner's Manual

[Shop genuine replacement parts for ASKO D5253THS](#)



[Find Your ASKO Dishwasher Parts - Select From 209 Models](#)

----- Manual continues below -----



## Spare Parts Catalogue

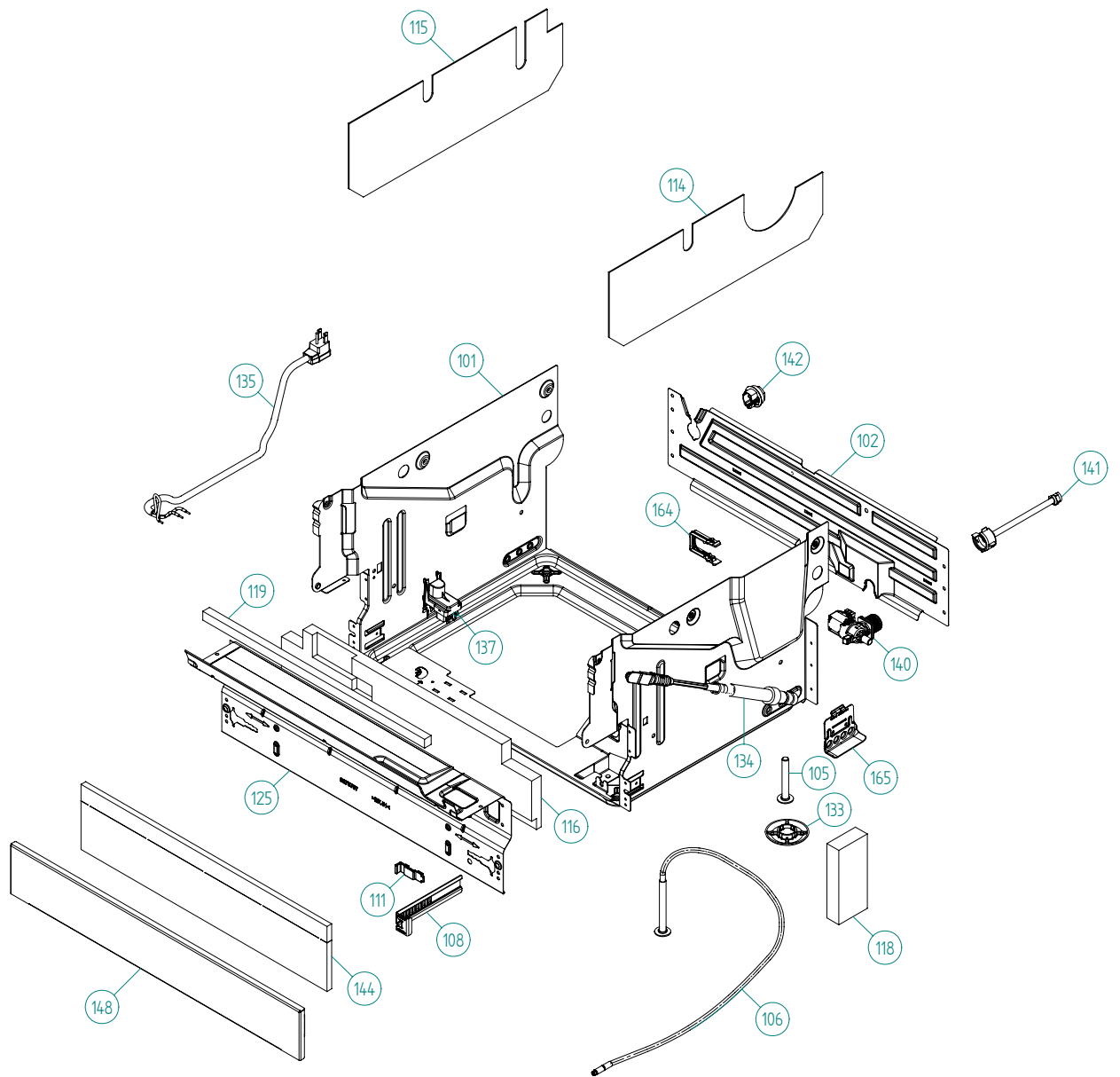
Dishwashers \ ASKO 5000 XXL Series  
Type: DW70.3  
Model: D5253TH US SS

Prod. No: 1075253121

October 29th 2009

**ASKO Appliances Inc.**

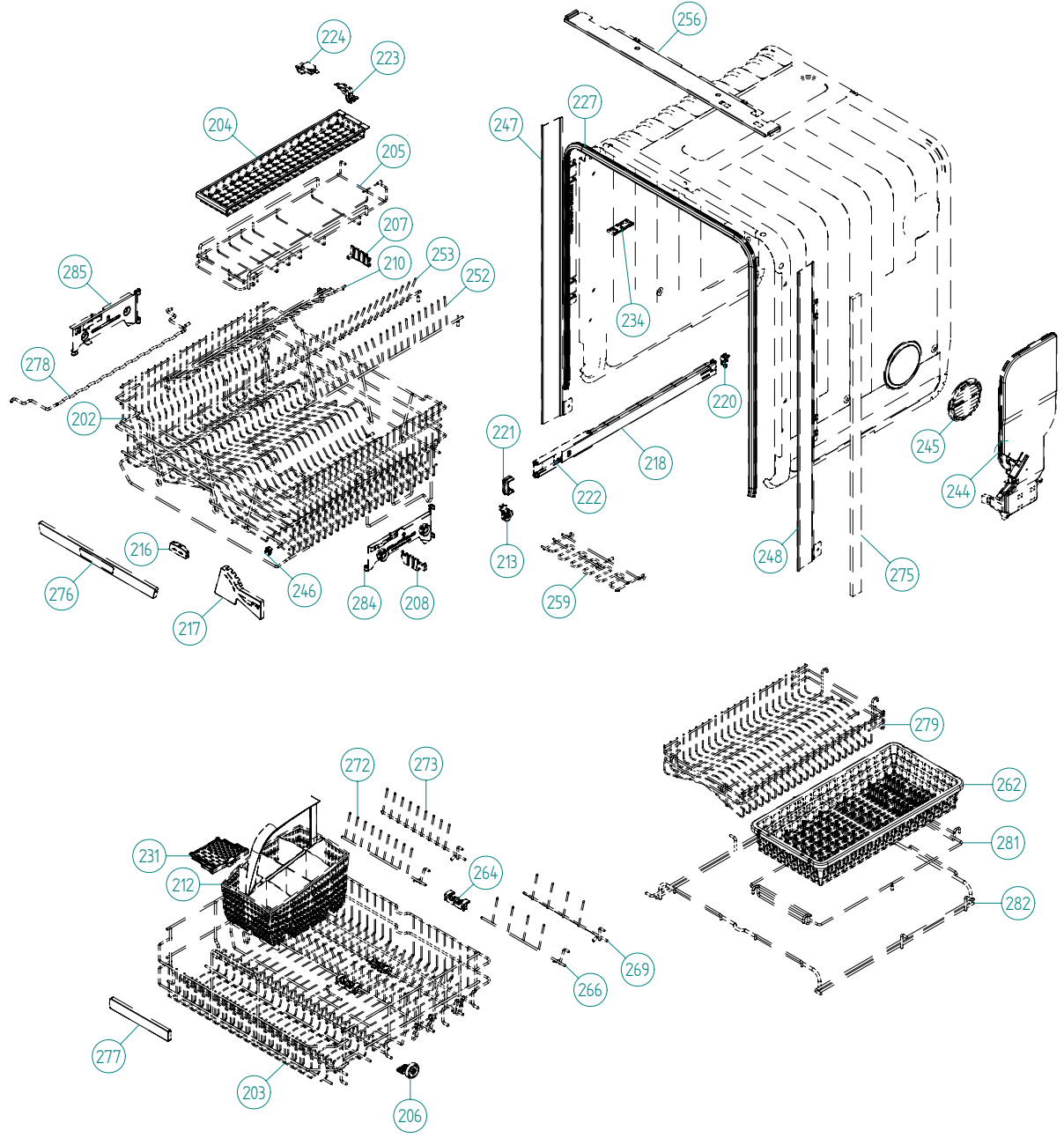
4001 E Plano Parkway #1004001 E Plano Parkway #100  
Plano, Texas 75074



## Base & Related Parts

ASKO, D5253TH US - SS (DW70.3)

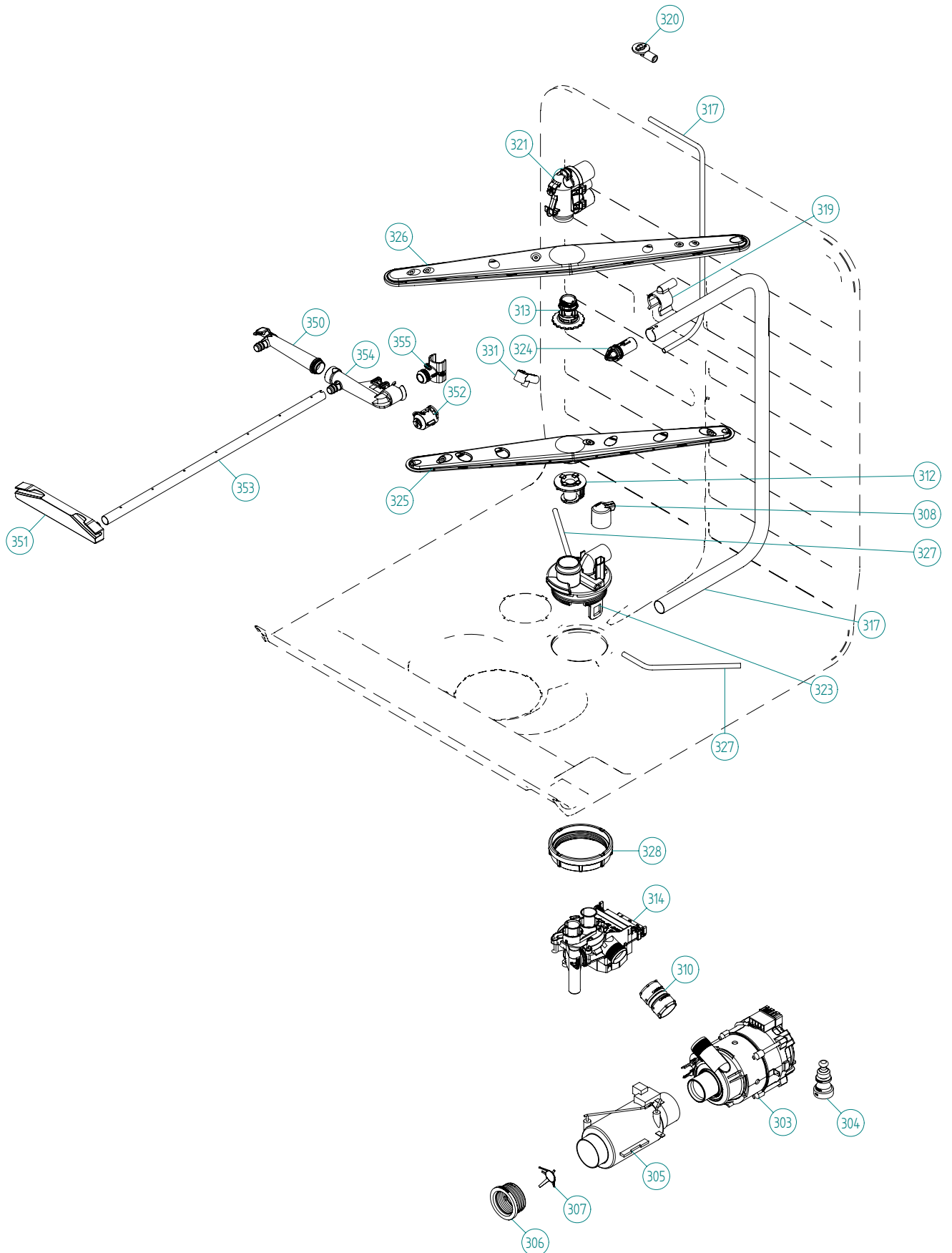
| Pos   | Spare part No. | Description                    | Qty    | Comment |
|-------|----------------|--------------------------------|--------|---------|
| 101   | 8801387        | BOTTOM OUTER COMPL.            | 1 Pc's |         |
| 102   | 8078006        | REAR PANEL                     | 1 Pc's |         |
| 105   | 8074228        | Foot                           | 2 Pc's |         |
| 106   | 8082222        | FOOT ADJUSTABLE FROM FRONT CPL | 1 Pc's |         |
| 108   | 8073480        | Toe Kick bracket Right & Left  | 2 Pc's |         |
| 111   | 8073481-49     | Spring Kicking Plate L Gray    | 2 Pc's |         |
| 114   | 8078109        | SOUND ABSORP. SELF AD. RIGHT   | 1 Pc's |         |
| 115   | 8078108        | SOUND ABSORP. SELF AD. LEFT    | 1 Pc's |         |
| 116   | 8078114        | SOUND ABSORBENT GUARD PLATE    | 1 Pc's |         |
| 118   | 8078112        | SOUND AB.BLOCK BOTTOM OUTER    | 2 Pc's |         |
| 119   | 8078122        | SOUND ABSORPTION PROFILE       | 1 Pc's |         |
| 125   | 8078008        | GUARD PLATE STRAIGHT           | 1 Pc's |         |
| 133   | 8051957        | Glide Foot                     | 3 Pc's |         |
| 134   | 8079529        | Door Spring-DW70-Red           | 1 Pc's |         |
| 134   | 8079528        | Door Spring-DW70-Yellow        | 1 Pc's |         |
| 135   | 8083262        | CORD SET 15A AMERICA           | 1 Pc's |         |
| 135   | 8079046        | CORD SET AMERICA               | 1 Pc's |         |
| 137   | 8083041        | FILTER WITH SCREWPLINT         | 1 Pc's |         |
| 140   | 8801376        | KIT INL.VALVE/LOCKARM SING120V | 1 Pc's |         |
| 140-a | 8079597        | LOCK ARM INLET VALVE           | 1 Pc's |         |
| 141   | 8079522        | PEX Inlet hose DW              | 1 Pc's |         |
| 142   | 8006948        | Grommet                        | 1 Pc's |         |
| 144   | 8074585        | Felt Kick Plate 05             | 1 Pc's |         |
| 148   | 8073506-81     | kick plate metallic            | 1 Pc's |         |
| 162   | 8079832        | CABLE HOLDER SRC-8-01          | 1 Pc's |         |
| 163   | 8078113        | SOUND ABSORPTION REARPANEL     | 1 Pc's |         |
| 164   | 8079597        | LOCK ARM INLET VALVE           | 1 Pc's |         |
| 165   | 8078013        | DOOR SPRING HOLDER             | 1 Pc's |         |
| 165-a | 8902362        | SCREW RTK ST 4,2X9,5 FZB WAX.  | 1 Pc's |         |



## Baskets & Related Parts

### ASKO, D5253TH US - SS (DW70.3)

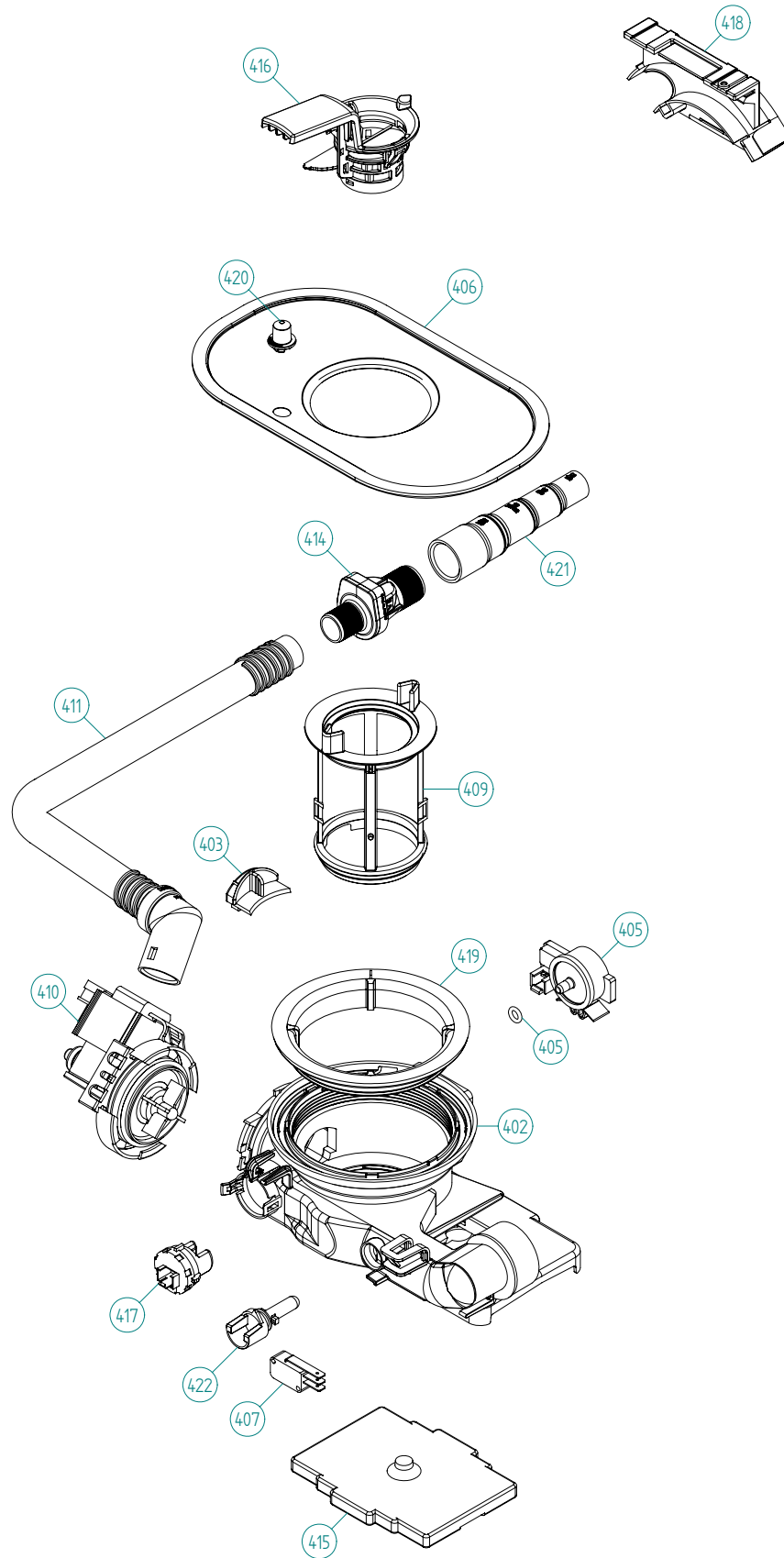
| Pos   | Spare part No. | Description                       | Qty    | Comment          |
|-------|----------------|-----------------------------------|--------|------------------|
| 201   | 8057056        | -                                 | 1 Pc's | Not a spare part |
| 202   | 8801358-36     | UPPER BASKET EXCL. COMPL. H&L     | 1 Pc's |                  |
| 203   | 8801316-36     | LOWER BASKET EXCL D.GREY 07       | 1 Pc's | New design       |
| 204   | 8053376-77     | Long Rack Silverware Upper        | 1 Pc's |                  |
| 205   | 8057058-36     | Basket knife box 05               | 1 Pc's |                  |
| 206   | 8079257-77     | WHEEL FOR LOW DISHW BASKET CPL    | 8 Pc's | New design       |
| 207   | 8057505-77     | Knife Holder DW 05/06             | 1 Pc's |                  |
| 208   | 8071214-77     | Knife Holder 05/06 DW             | 2 Pc's |                  |
| 210   | 8071337-36     | Cup Shelf Wine Glass 05/06 DW     | 1 Pc's |                  |
| 212   | 8801317-77     | CUTLERY BASKET COMPL. 07          | 1 Pc's | New design       |
| 213   | 8058498-77     | Upper Basket Wheel                | 4 Pc's |                  |
| 216   | 8072553-77     | BRACKET PIN ROW UPPER BASKET      | 1 Pc's |                  |
| 217   | 8072554-77     | KNIFE GUARD                       | 1 Pc's |                  |
| 218   | 8057052        | DW Upper Basket Guide Rail        | 2 Pc's |                  |
| 220   | 8057978-77     | DW Rail Stop - Back Grey          | 2 Pc's |                  |
| 221   | 8057979-77     | Rack Stop Grey 05/06 DW           | 2 Pc's |                  |
| 222   | 8801349-77     | KIT BALL HOLDER INCL. BALLS       | 1 Pc's |                  |
| 223   | 8057502        | Clip Upper Knife Rack DW          | 1 Pc's |                  |
| 224   | 8058453        | Clip Knife Basket 1800s DW        | 1 Pc's |                  |
| 225   | 8057978-77     | DW Rail Stop - Back Grey          | 2 Pc's |                  |
| 227   | 8057489-F      | DOOR STRIP XXL DW70               | 1 Pc's |                  |
| 231   | 8079251-77     | DOOR CUTLERYBASKET UL4            | 1 Pc's | New design       |
| 234   | 8070649        | Lock Hitch Int                    | 1 Pc's |                  |
| 234-a | 8070648        | Lock Washer Int                   | 1 Pc's | Part of 8070469  |
| 234-b | 8901104        | Screw 20 Torx Machine             | 1 Pc's |                  |
| 244   | 8078300        | AIRBREAK STD. DW70 UL4            | 1 Pc's |                  |
| 245   | 8057536-77     | Lockring Airbreak Gray            | 1 Pc's |                  |
| 246   | 8075350        | Clip for Knife Guard              | 1 Pc's |                  |
| 247   | 8074342-E-95   | Trim Strip Left XL/XXL            | 1 Pc's |                  |
| 247-a | 8900646        | Screw 20 Torx SS                  | 2 Pc's |                  |
| 248   | 8074343-E-95   | Trim Strip Right XL/XXL           | 1 Pc's |                  |
| 248-a | 8900646        | Screw 20 Torx SS                  | 2 Pc's |                  |
| 252   | 8072552-36     | PLATERACK RIGHT U-BASKET          | 1 Pc's |                  |
| 253   | 8072551-36     | PLATERACK LEFT U-BASKET           | 1 Pc's |                  |
| 256   | 8075663-95     | Trim Rail XL/XXL                  | 1 Pc's |                  |
| 259   | 8076619-36     | wine glass cup shelf divider      | 2 Pc's |                  |
| 262   | 8076639-77     | BASKET FOR HEAVY CUTLERY          | 1 Pc's |                  |
| 262   | 8083376-77     | CUTLERY BASKET MIDDLE BASKET      | 1 Pc's |                  |
| 264   | 8076632-77     | Holder                            | 3 Pc's |                  |
| 266   | 8079130-36     | PLATERACK SHORT&THIN LEFT         | 1 Pc's |                  |
| 269   | 8079131-36     | PLATERACK SHORT&THIN RIGHT        | 1 Pc's |                  |
| 272   | 8079123-36     | PLATERACK SHORT LEFT D-GREY       | 1 Pc's |                  |
| 273   | 8079124-36     | PLATERACK SHORT RIGHT D-GREY      | 1 Pc's |                  |
| 275   | 8070614        | SEALING STRIPE TRIM STRIPE USA    | 2 Pc's |                  |
| 276   | 8801330-77     | HANDLE U-BASKET COMPL. ASKO       | 1 Pc's |                  |
| 277   | 8801332-77     | HANDLE LOWER BASKET COMPL.        | 1 Pc's |                  |
| 278   | 8079144-36     | GLASS SUPPORT D-GREY              | 1 Pc's |                  |
| 278   | 8072764-36     | GLASS SUPPORT D-GREY              | 1 Pc's |                  |
| 279   | 8079255-36     | INSERT BOWL BASKET DW70           | 1 Pc's |                  |
| 281   | 8079254-36     | INSERT CUTLERY MIDDLE BASKET DW70 | 1 Pc's |                  |
| 281   | 8083393-36     | INSERT CUTLERY BASKET             | 1 Pc's |                  |
| 282   | 8079253-36     | MIDDLE BASKET DW70                | 1 Pc's |                  |
| 284   | 8079138        | Basket Adj Bracket Right          | 1 Pc's |                  |
| 285   | 8079139        | Basket Adj Bracket Left           | 1 Pc's |                  |



## Wash System

### ASKO, D5253TH US - SS (DW70.3)

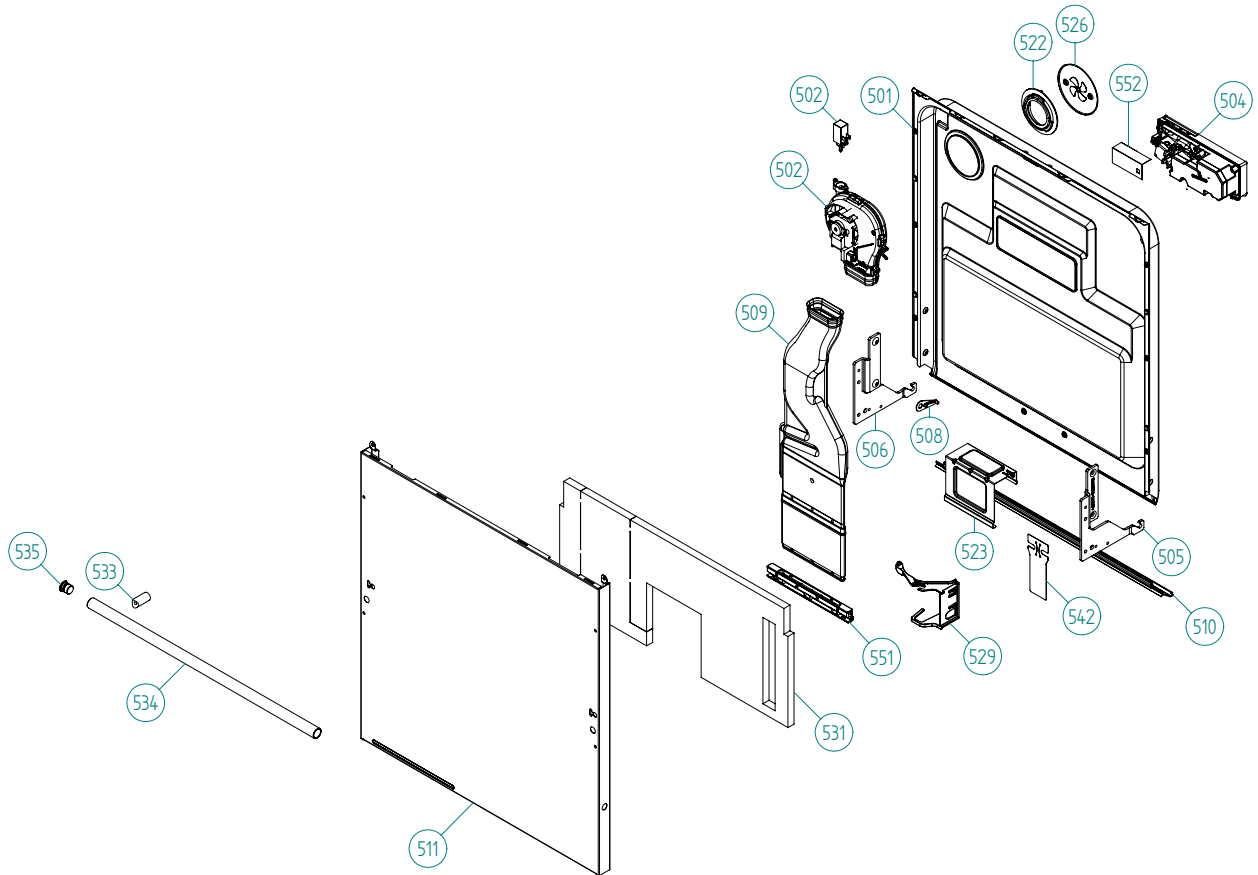
| Pos   | Spare part No. | Description                    | Qty    | Comment                              |
|-------|----------------|--------------------------------|--------|--------------------------------------|
| 301   | 8078001        | -                              | 1 Pc's | Not to be ordered                    |
| 303   | 8078082        | CIRC.PUMP 120V 60HZ            | 1 Pc's |                                      |
| 303-a | 8083804        | Capacitor 7,0UF 400V P2 CLASS  | 1 Pc's |                                      |
| 304   | 8075130        | Rubber Damper Circ Pump        | 1 Pc's |                                      |
| 305   | 8079505        | HEATING ELEMENT 1200W DW70     | 1 Pc's |                                      |
| 306   | 8079531        | SEALING HEATER DW70 UL4        | 2 Pc's |                                      |
| 307   | 8079575        | INSERT FOR HEATER              | 1 Pc's |                                      |
| 308   | 8073385-77     | Cup Drainage Gray              | 1 Pc's |                                      |
| 310   | 8072888        | Hose Circ Pump                 | 1 Pc's |                                      |
| 310-a | 8056491        | HOSE CLIP 30.1-708             | 2 Pc's |                                      |
| 312   | 8076901-77     | Spray arm bearing              | 1 Pc's |                                      |
| 313   | 8079108-77     | SPRAYARM BEARING H&L U.BASKET  | 1 Pc's |                                      |
| 314   | 8078085        | WATER DIVERTER VALVE 120V 60HZ | 1 Pc's |                                      |
| 317   | 8079112-EDH    | SPRAYTUBE ADJ. U-BASK XXL 8,5  | 1 Pc's |                                      |
| 317   | 8079145        | SPRAY PIPE KNIFE SPRAYER H&L   | 1 Pc's |                                      |
| 319   | 8057504-77     | SPRAY PIPE GROMMET LOWER GREY  | 1 Pc's |                                      |
| 320   | 8057503-77     | Spray Pipe Grommet Upper Gray  | 1 Pc's |                                      |
| 321   | 8801359        | SPRAYTOWER COMPL H&L BASKET    | 1 Pc's |                                      |
| 323   | 8081911-LL-77  | SPRAYTOWER L FOR 2 NOZZLE UL4  | 1 Pc's |                                      |
| 324   | 8079113-77     | GUIDE SPRAYTUBE ADJ BASKET     | 1 Pc's |                                      |
| 325   | 8072891        | Spray Arm Lower Complete       | 1 Pc's |                                      |
| 326   | 8079111        | SPRAYARM CPL H&L BASKET        | 1 Pc's |                                      |
| 327   | 8073381        | Tube Pot Rinse                 | 1 Pc's |                                      |
| 327   | 8079147        | POT RINSE TUBE                 | 1 Pc's |                                      |
| 327-a | 8902085        | Screw 20T for Plastic          | 2 Pc's |                                      |
| 328   | 8071607        | Locking Spray Pipe Bearing     | 1 Pc's |                                      |
| 331   | 8072543-77     | Spray Nozzle                   | 2 Pc's | For part no 8073381 and 8072730-L-77 |
| 350   | 8079268-77     | BRACKET SPRAY PIPE MIDDLE BASK | 1 Pc's |                                      |
| 351   | 8079265-77     | END PLUG SPRAY PIPE MIDDLEBASK | 1 Pc's |                                      |
| 352   | 8079576-77     | LID SPRAY TUBE INLET MID.BASK. | 1 Pc's |                                      |
| 353   | 8080860        | SPRAY PIPE MIDDLE BASKET       | 2 Pc's |                                      |
| 354   | 8079266-77     | CONNECTION SPRAY PIPE BASKET   | 1 Pc's |                                      |
| 355   | 8079267-77     | SPRAY PIPE GROMMET MIDDLE BASK | 1 Pc's |                                      |



## Bottom Well & Related Parts

ASKO, D5253TH US - SS (DW70.3)

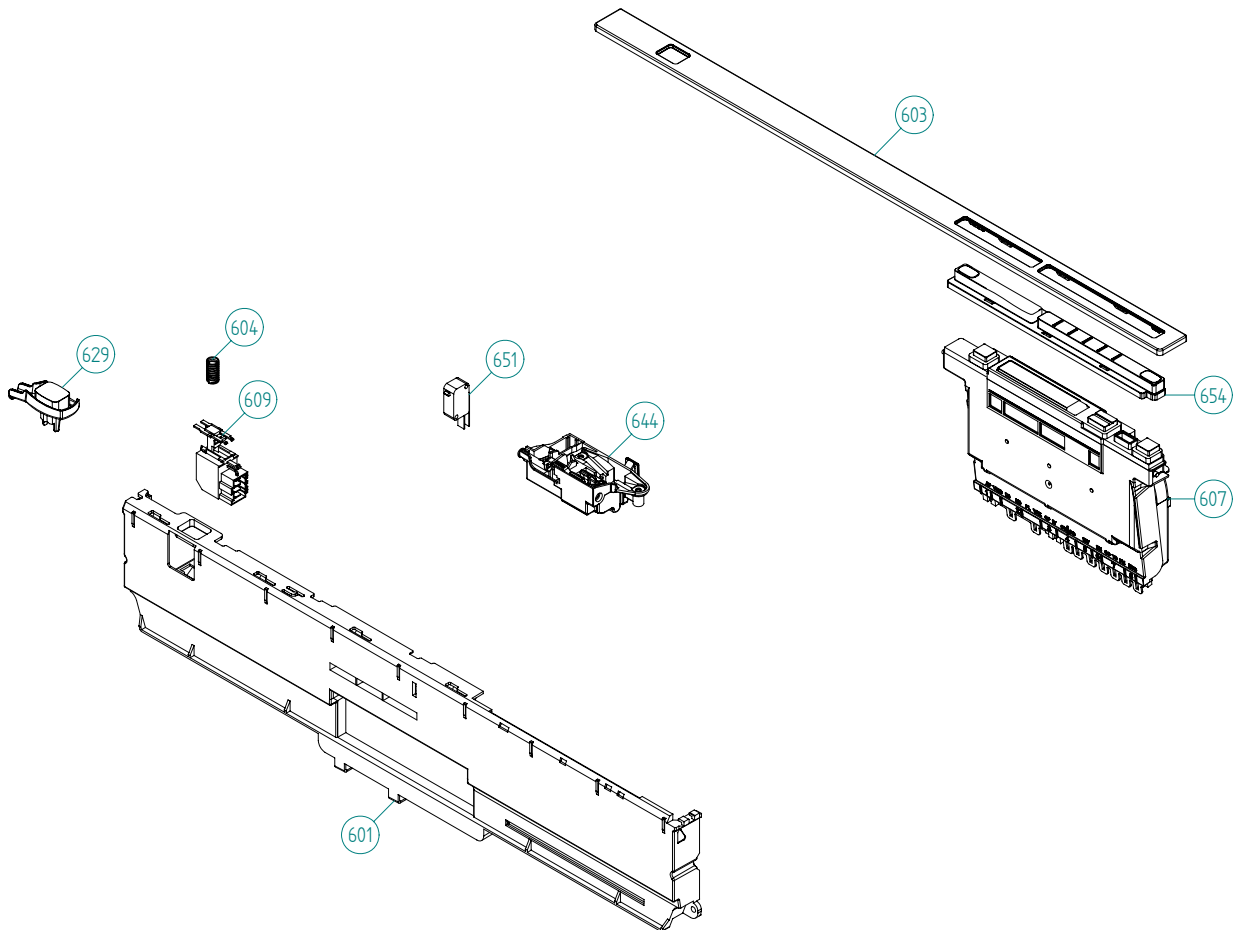
| Pos   | Spare part No. | Description                    | Qty    | Comment |
|-------|----------------|--------------------------------|--------|---------|
| 402   | 8801404        | KIT BOTTOM WELL 2 SENSOR DW70  | 1 Pc's |         |
| 402   | 8078032        | BOTTOM WELL 2 SENSOR UL4       | 1 Pc's |         |
| 402-a | 8073002        | ORing                          | 1 Pc's |         |
| 403   | 8078033        | Rinse Cap Bottom Well - Yellow | 1 Pc's |         |
| 405   | 8073839        | Pressure Sensor                | 1 Pc's |         |
| 405-a | 8074040        | O-Ring                         | 1 Pc's |         |
| 406   | 8074364        | Strainer DW20                  | 1 Pc's |         |
| 407   | 8073835        | Microswitch Float              | 1 Pc's |         |
| 409   | 8078038-77     | Pipe Filter DW70               | 1 Pc's |         |
| 410   | 8078089        | Drain Pump 120V 60Hz           | 1 Pc's |         |
| 411   | 8079693        | Outlet Hose w/o Return Valve   | 1 Pc's |         |
| 414   | 8801248        | Check Valve Kit                | 1 Pc's |         |
| 414-a | 8052239        | Hose Clamp                     | 1 Pc's |         |
| 414-b | 8053642        | Hose Clamp                     | 1 Pc's |         |
| 415   | 8078025        | Float                          | 1 Pc's |         |
| 416   | 8078039-77     | Strainer Basket Grey           | 1 Pc's |         |
| 417   | 8081321        | TURBIDITY SENSOR DW20/70       | 1 Pc's |         |
| 418   | 8072528-77     | Holder Outlet Hose             | 1 Pc's |         |
| 418-a | 8053642        | Hose Clamp                     | 1 Pc's |         |
| 418-b | 8052239        | Hose Clamp                     | 1 Pc's |         |
| 418-c | 33700450       | Cable Strip                    | 1 Pc's |         |
| 418-d | 8902072        | Screw                          | 1 Pc's |         |
| 419   | 8072848        | Lockring Bottom Well           | 1 Pc's |         |
| 420   | 8074760-77     | Ventilator                     | 1 Pc's |         |
| 421   | 8075321        | End Cuff                       | 1 Pc's |         |
| 422   | 8078096        | Thermistor                     | 1 Pc's |         |
| 426   | 8078024        | SEALING NON RETURN VALVE       | 1 Pc's |         |



## Inner door, panel and related parts

ASKO, D5253TH US - SS (DW70.3)

| Pos   | Spare part No. | Description                       | Qty    | Comment |
|-------|----------------|-----------------------------------|--------|---------|
| 501   | 8801380        | Door Inner w/Fan XXL DW70         | 1 Pc's |         |
| 501-a | 8900646        | Screw 20 Torx SS                  | 6 Pc's |         |
| 501-b | 8902121        | Screw                             | 4 Pc's |         |
| 502   | 8073851        | Fan Complete 120V                 | 1 Pc's |         |
| 502-a | 8058501        | ORing Turbo Fan Dry 05/06 DW      | 1 Pc's |         |
| 502-b | 8052778        | WAX MOTOR DW 05/06                | 1 Pc's |         |
| 504   | 8801343-77     | KIT Combi Dispenser 120V          | 1 Pc's |         |
| 504-a | 8071916        | SEAL,DET.COMP.LID repl by 8071918 | 1 Pc's |         |
| 504-b | 8071917        | CAP RINSE AGENT                   | 1 Pc's |         |
| 504-c | 8071918        | Detergent Lid Complete            | 1 Pc's |         |
| 504-d | 8072288        | Sealing Strip Combi Disp.         | 1 Pc's |         |
| 504-f | 8902087        | Screw Plastic Housing 20 Torx     | 6 Pc's |         |
| 505   | 8078004        | Hinge Right DW70                  | 1 Pc's |         |
| 506   | 8078005        | Hinge Left DW70                   | 1 Pc's |         |
| 507   | 8057530        | Screw hinge 05                    | 2 Pc's |         |
| 507-a | 33500262       | Nut Term Block                    | 2 Pc's |         |
| 508   | 8057948        | Slide washer hinge bearing 05     | 2 Pc's |         |
| 509   | 8078040        | Air Channel DW70                  | 1 Pc's |         |
| 510   | 8060254        | Lower SealInner Door 05/06 DW     | 1 Pc's |         |
| 511   | 8078019-K-91   | Outer Door for Tbar Hndl          | 1 Pc's |         |
| 511-a | 8900646        | Screw 20 Torx SS                  | 6 Pc's |         |
| 522   | 8057964        | Locking ring turbo fan 05         | 1 Pc's |         |
| 522-a | 8902085        | Screw 20T for Plastic             | 2 Pc's |         |
| 523   | 8057983        | Brace                             | 1 Pc's |         |
| 523-a | 8900646        | Screw 20 Torx SS                  | 2 Pc's |         |
| 523-b | 8902357        | Screw                             | 2 Pc's |         |
| 526   | 8058484        | SS Coverplate Turbo Fan DW        | 1 Pc's |         |
| 526-a | 8902085        | Screw 20T for Plastic             | 2 Pc's |         |
| 529   | 8074278        | Bracket for harness               | 1 Pc's |         |
| 531   | 8074258        | Sound Absorbtion Outer Door       | 1 Pc's |         |
| 533   | 8075988        | Crossbar handle 3000XL            | 2 Pc's |         |
| 534   | 8072435        | Handle for 05/06 DW               | 1 Pc's |         |
| 534-a | 8072439        | Bolt Tension Strap W600s          | 2 Pc's |         |
| 535   | 8075836        | End Plugs for Handle              | 1 Pc's |         |
| 535-a | 8901774        | ORing                             | 1 Pc's |         |
| 542   | 8076966        | COVER, CABLES                     | 1 Pc's |         |
| 551   | 8079584-33     | Air Channel Nozzle DW70           | 1 Pc's |         |
| 552   | 8083021        | COVER COMBI DISPENSER             | 1 Pc's |         |



## Control Panel & Related parts

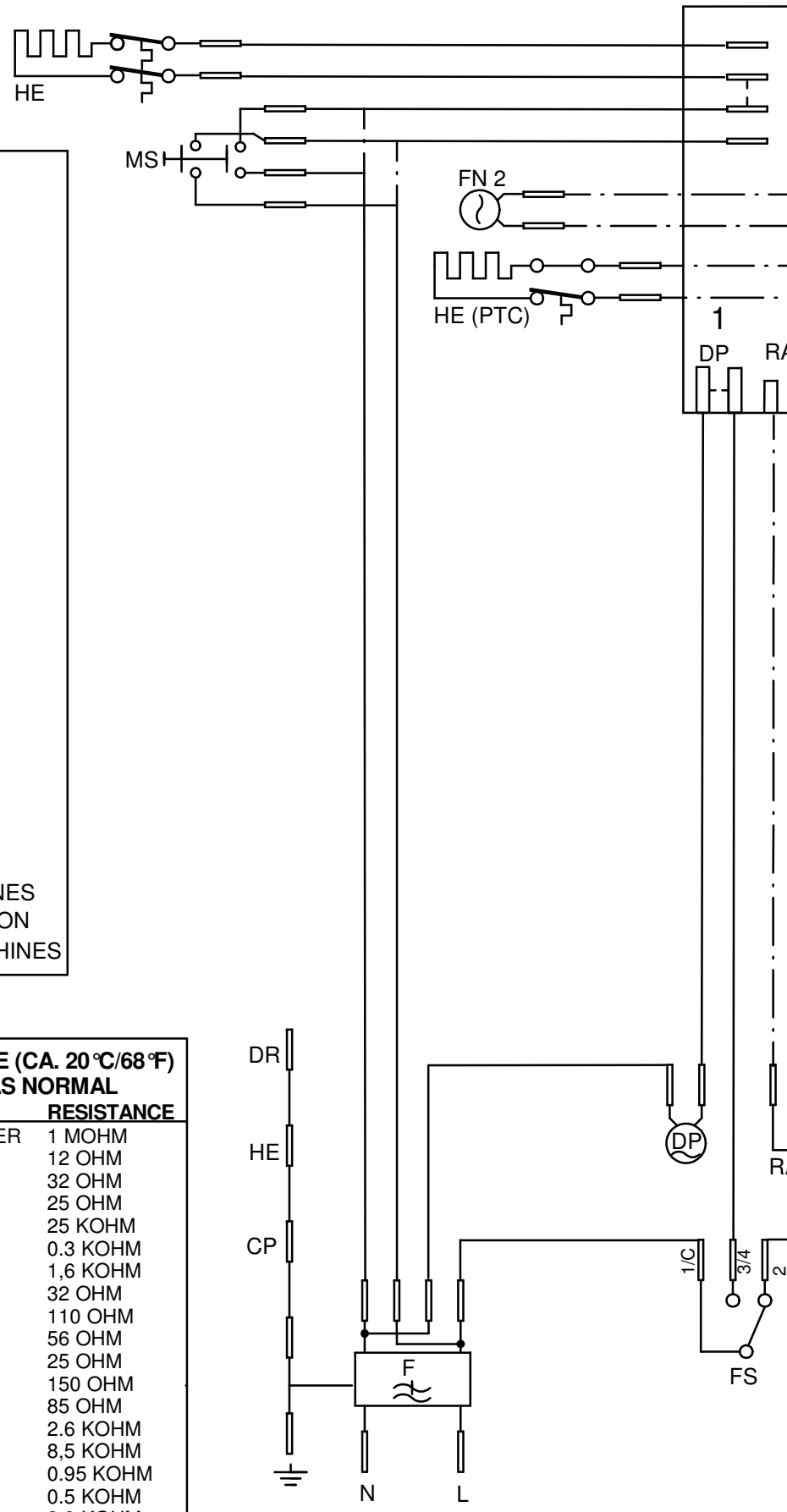
ASKO, D5253TH US - SS (DW70.3)

| Pos | Spare part No. | Description                    | Qty    | Comment |
|-----|----------------|--------------------------------|--------|---------|
| 601 | 8079543-UL     | Control Panel DW70             | 1 Pc's |         |
| 602 | 8082898        | PROG.INFO.LABEL 5KN AUT/DEL US | 1 Pc's |         |
| 603 | 8082897-81     | LENS ASKO D5253 (70.3) GRAPHIC | 1 Pc's |         |
| 604 | 8074277        | SPRING MAIN SWITCH             | 1 Pc's |         |
| 607 | 8801365        | Control Unit DW70.3            | 1 Pc's |         |
| 609 | 8073782        | MAIN PUSH SWITCH               | 1 Pc's |         |
| 610 | 8079517        | CABLE SET THERMIST DW70.3.4.5  | 1 Pc's |         |
| 611 | 8078071        | CABLESET DIVERTER VALVE        | 1 Pc's |         |
| 614 | 8078068        | CABLE SET CIRC.PUMP INL.VALVE  | 1 Pc's |         |
| 616 | 8078064        | CABLE SET FLOW PRESSURE TURB.  | 1 Pc's |         |
| 618 | 8078070        | CABLE SET POWER                | 1 Pc's |         |
| 620 | 8075730        | cablE set fan                  | 1 Pc's |         |
| 622 | 8078063        | CABLE SET DRAIN                | 1 Pc's |         |
| 629 | 8081633-81     | PUSHBUTTON MAINSW. DW70.3 GRAP | 1 Pc's |         |
| 644 | 8073670        | Lock Complete Integrated       | 1 Pc's |         |
| 651 | 8073836        | MICROSWITCH DOOR               | 0 Pc's |         |
| 654 | 8081812-81     | PUSHBUTTONS ASKO 5KN 70.5 GRAP | 1 Pc's |         |
| 671 | 8083455        | SPACER PUSH BUTTONS DW70.3     | 1 Pc's |         |
| 690 | 8082542        | INSTRUCTIONS D5253 USA XXL ENG | 1 Pc's |         |
| 690 | 8082543        | INSTRUCTIONS D5253 USA XXL FR  | 1 Pc's |         |

- CD: COMBI DISPENSER
- CP: CIRCULATION PUMP
- DIV: WATER DIVERTER VALVE
- DP: DRAIN PUMP
- DR: DOOR
- DS: DOOR SWITCH
- F: FILTER
- FM: FLOW METER
- FN 1: FAN DOOR
- FN 2: FAN BOTTOM
- FS: FLOAT SWITCH
- HE: HEATING ELEMENT
- HE (PTC): HEATING ELEMENT PTC
- HL: HALOGEN LAMP
- HS: HUMIDITY SENSOR
- IS: ILLUM. SWITCH
- IV: INLET VALVE
- I2C: I2C
- MS: MAIN SWITCH
- MV: MIX VALVE
- PS: PRESSURE SENSOR
- RAS: RINSE AID SENSOR
- SL: STATUS LIGHT
- SS: SALT SENSOR
- SV: SALT VALVE
- TH: THERMISTOR
- TS: TURBIDITY SENSOR
- UART: UART
- VAX: VAX ACTUATOR
- WIRES IN ALL MACHINES
- - - INTERNAL CONNECTION
- . — WIRES IN SOME MACHINES

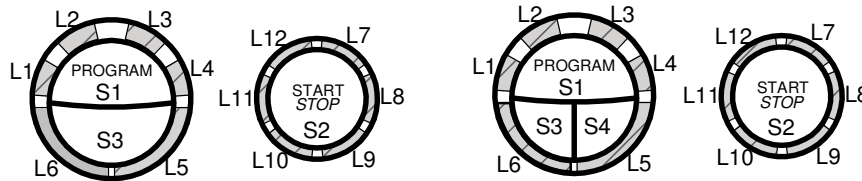
**RESISTANCES AT ROOM TEMPERATURE (CA. 20 °C/68 °F)**  
**VALUES WITH +/-10% ARE REGARDED AS NORMAL**

| COMPONENT                             | RESISTANCE |
|---------------------------------------|------------|
| RADIO INTERFERENCE SUPPRESSION FILTER | 1 MOHM     |
| HEATING ELEMENT 1200W 120V            | 12 OHM     |
| HEATING ELEMENT 1600W 230V            | 32 OHM     |
| HEATING ELEMENT 2040W 230V            | 25 OHM     |
| THERMISTOR                            | 25 KOHM    |
| COMBINED DISPENSER 120V               | 0.3 KOHM   |
| COMBINED DISPENSER 230V               | 1,6 KOHM   |
| CIRCULATION PUMP 120V 60HZ            | 32 OHM     |
| CIRCULATION PUMP 230V 50HZ            | 110 OHM    |
| CIRCULATION PUMP 220V 60HZ            | 56 OHM     |
| DRAIN PUMP 120V 60HZ                  | 25 OHM     |
| DRAIN PUMP 230V 50HZ                  | 150 OHM    |
| DRAIN PUMP 230V 60HZ                  | 85 OHM     |
| SPRAY ARM DIVIDER 120V 60HZ           | 2.6 KOHM   |
| SPRAY ARM DIVIDER 230V 50/60HZ        | 8,5 KOHM   |
| INLET VALVE SINGLE INCL. 120V         | 0.95 KOHM  |
| INLET VALVE SAFETY INCL. 120V         | 0.5 KOHM   |
| INLET VALVE SINGLE INCL. 230V         | 3,9 KOHM   |
| INLET VALVE SAFETY INCL. 230V         | 2 KOHM     |
| SALT VALVE 120V                       | 0,65 KOHM  |
| MIX VALVE 120V                        | 0,65 KOHM  |
| SALT VALVE 230V                       | 3 KOHM     |
| MIX VALVE 230V                        | 2,3 KOHM   |
| HALOGEN LAMP 5W 12V                   | <10 KOHM   |
| WAX MOTOR                             | 1.1 KOHM   |
| FAN MOTOR 120V                        | 0.18 KOHM  |
| FAN MOTOR 230V                        | 0,85 KOHM  |



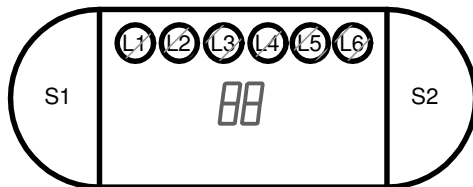
## Displays

### DW70.1



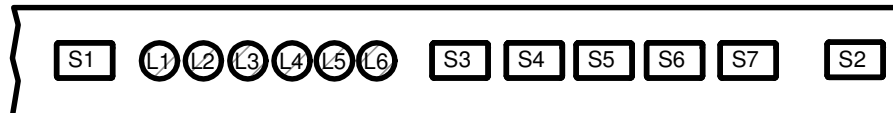
Panel type DW70.1, L = LED, S = Push-button

### DW70.C



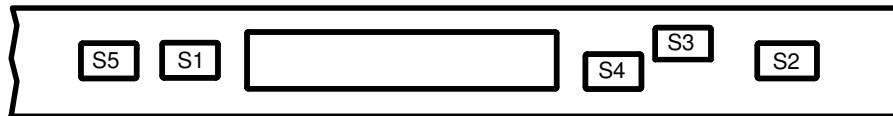
Panel type DW70.C, L = LED, S = Push-button

### DW70.3



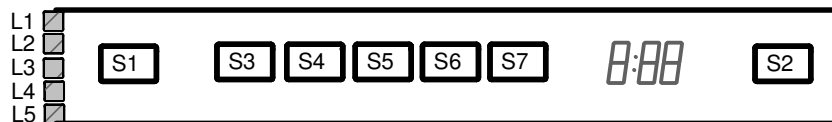
Panel type DW70.3, L = LED, S = Push-button

### DW70.4



Panel type DW70.4, S = Touch areas

### DW70.5



Panel type DW70.5, L = LED, S = Push-button

## **TOTAL RESET**

TURN OFF MAIN SWITCH

WAIT FOR AT LEAST 5 SECS

HOLD PROGRAM BUTTON (S1), FOR DW70.4 HOLD PROGRAM BUTTON (S1)

AND NAVIGATION BUTTON (S4).

TURN ON MAIN SWITCH

RELEASE PROGRAM BUTTON (S1), FOR DW70.4 RELEASE PROGRAM BUTTON (S1)

AND NAVIGATION BUTTON (S4).

## **SERVICE MENU**

TURN OFF MAIN SWITCH

WAIT FOR AT LEAST 5 SECS

HOLD PROGRAM AND START BUTTONS (S1 & S2)

TURN ON MAIN SWITCH

RELEASE PROGRAM AND START BUTTONS (S1 & S2)

## **VARIANT SETTING (NOT DW70.4)**

HOLD PROGRAM AND START BUTTONS (S1 & S2)

TURN ON MAIN SWITCH

RELEASE PROGRAM AND START BUTTONS

PRESS START (S2) 3 TIMES WITHIN 5 SECS

SELECT VARIANT BY START BUTTON (S1) AND

CONFIRM BY START BUTTON (S2)