

Use & Care Guide Dishwasher

ASKO D5893





Dear ASKO customer,

Thank you for choosing this quality product from Scandinavia, which was made in Sweden. We want you to feel assured that the inside of your new machine is just as good as the outside and that the ethics and standards that went into the production of this machine are just as high as the quality and performance that you will receive from it. We hope that this product will give you many years of pleasure.

To ensure that you get the most from your new machine, we recommend that you read the operating instructions before using the machine. The operating instructions also contain information on how to avoid damaging the environment.

Contents

Before doing your first wash	4	Troubleshooting	30
Safety	5	Performance information	33
Child safety	6	Installation instructions	35
Parts of the dishwasher	7	Service and guarantee	39
Technical data	7	Quick Guide	40
Baskets	8		
Control panel	12		
Detergent Dispenser	12		
Basic Course	13		
Programs	16		
Program Description	17		
Options	19		
Specialsettings	21		
Eco-dishwashing	22		
Fragile dishes	23		
Time remaining	24		
Cleaning	25		
Rinse aid	28		
Fault indications	29		

Before doing your first wash

Read the directions of use

Read the directions of use before starting to use your machine, especially the Safety, Child Safety and Basic Course sections.

Take care with certain materials

Read the section 'Fragile dishes' before washing china with unglazed decoration or other household goods made of plastic, wood or crystal requiring careful treatment.

Check the door

Check that the door of the dishwasher fits properly: open the door a little and let it go. Does it stay exactly where you released it? If not, you should check the installation instructions or consult the installer.

OBS!

The machine can only be adjusted when the door is open!

Safety



General

- Read and keep the directions for use!
- Installation of water, drainage and electricity must be carried out by a qualified professional.
- Do not use the dishwasher for any purposes other than those stated in this User Guide.
- Do not load the dishwasher with anything other than dishes.
- Only use dishwasher detergent!
- Place knives and other sharp objects so that they cannot cause injury to people or damage the dishwasher.
- The appliance is not intended for use by persons (including children) with reduced physical, sensory or mental capabilities, or lack of experience and knowledge, unless they have been given supervision or instruction concerning use of the appliance by a person responsible for their safety.
- Children should be supervised to ensure that they do not play with the appliance.
- Damaged mains cables must only be replaced by a qualified electrician.
- This appliance is intended to be used in household and similar applications such as:
 - staff kitchen areas in shops, offices and other working environments
 - farm houses
 - by clients in hotels, motels and other residential type environments
 - bed and breakfast type environments

Never put dishes containing solvent residue in the machine due to risk of explosion. Neither may dishes containing ashes, wax or lubricating grease be washed in the dishwasher.

Winter storage/Transport

Store the machine away from frost. Avoid long journeys in extreme cold. Transport the machine in an upright position or lying on its back.

Overfill protection

The overfill protector starts pumping out water and closes off the water intake if the machine's water level exceeds the normal level. If the overfill protector starts up, shut off the water supply and phone for service. See 'Troubleshooting'.

Cleaning

Only use a slightly damp cloth for cleaning around the edge of the door. Do not use a spray bottle! Water can penetrate into the lock and come into contact with the electrical components.

Packaging materials

Sort at source in accordance with the recommendations of your local authority.

Scrapping

When the time comes for the machine to be scrapped, it should immediately be rendered unusable. Remove the plug and cut off the lead as short as possible.

Contact your refuse collection department or your local authority for information on the correct way to dispose of the machine!

The machine is manufactured and labelled for recycling.

Child safety!



Child-safe dishwashing

- Use the knife basket, or knife holder, for all long/sharp items.
- Always close the door and start the program immediately once dishwasher detergent has been added.
- Keep children away from the dishwasher when it is open. There might be remains of dishwasher detergent present!
- Do not allow children to use or play with the dishwasher. Always take particular care when the door is open.

Protect your children!



- Dishwasher detergent is corrosive!

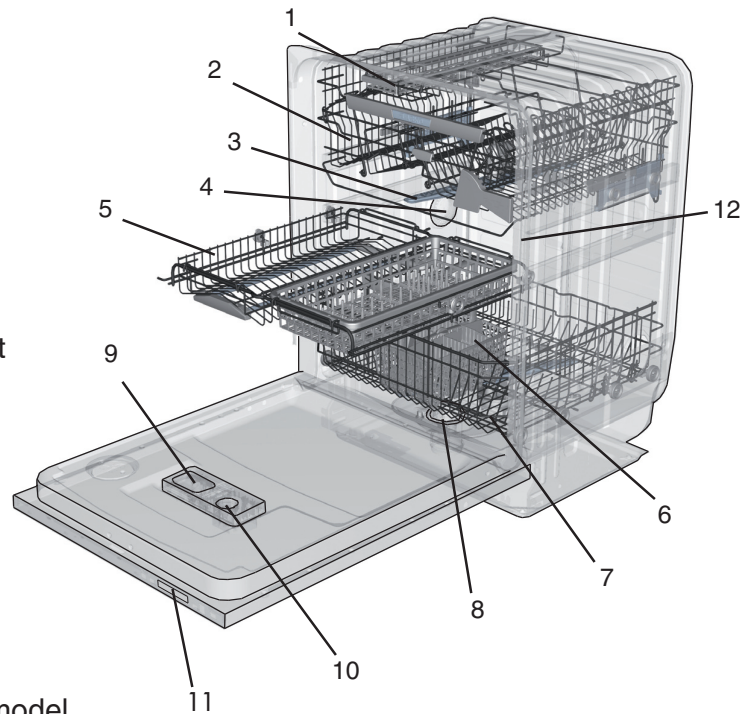
WARNING: Dishwasher detergents are strongly alkaline. They can be extremely dangerous if swallowed. Avoid contact with skin and eyes and keep children away from the dishwasher when the door is open.

Check that the detergent compartment is empty after completion of the wash cycle.

Store dishwasher detergent and rinse aid out of the reach of children! Should dishwasher detergent be swallowed, immediately drink one or two glasses of milk or water. Do not attempt to induce vomiting. Contact a doctor! Should dishwasher detergent come into contact with the eyes, rinse (for at least 15 minutes) with copious amounts of water.

Parts of the dishwasher*

1. Knife basket
2. Upper basket
3. Spray arms
4. Lamp
5. Mellankorg
6. Cutlery basket
7. Lower basket
8. Filter
9. Dishwasher detergent compartment
10. Rinse Aid Compartment
11. Main power switch
12. Type plate



*Details may differ depending on the model and market!

Technical data

Height	860-910 mm
Width	596 mm
Depth	550 mm
Weight	48 kg/51 kg
Capacity*	14 place settings
Water pressure	0.03-1.0 MPa (0.3-10 kp/cm ²)
Connection	1-phase, 230 V, 50Hz 10/10A**
Max	1600 W**
Accessories	Work surface, Side panels, Anti-tilt

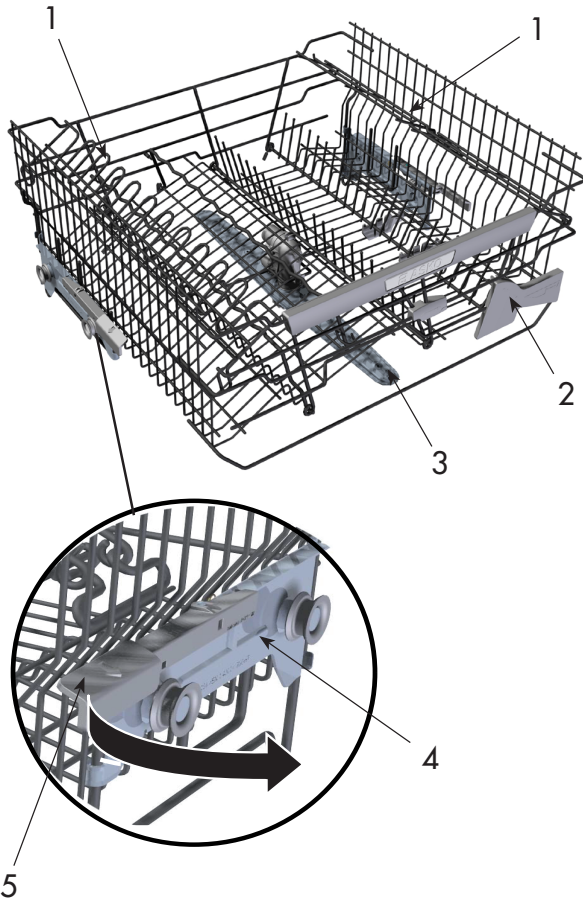
*In accordance with standard, AS/NZS 2007

**See type plate.

The baskets*



Upper basket

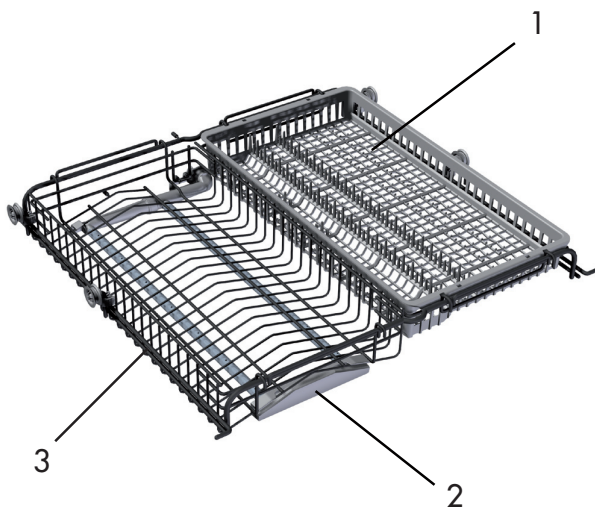


1. Wine glass shelf
2. Knife stop
3. Upper spray arm
4. Locking handle for upper basket
5. Catch

Raising/lowering the upper basket

1. Pull out the upper basket.
2. Pull out the catches (5) on either side of the upper basket and lower the upper basket at the same time.
3. Grab the basket by the sides and lift it.

Middle basket

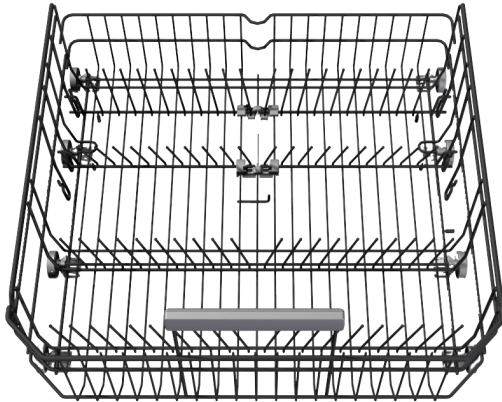


1. Utensil basket
2. Spray pipe
3. Wire basket for low cups and bowls

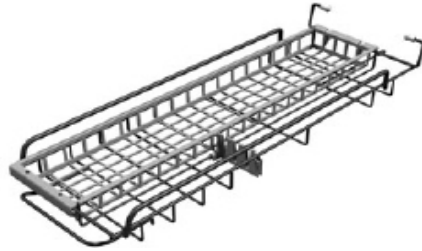


The baskets*

Lower basket

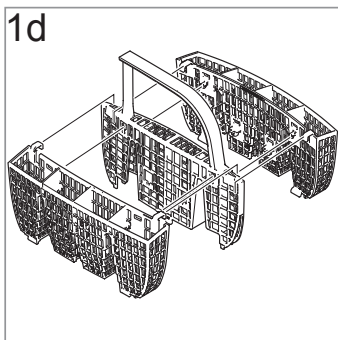
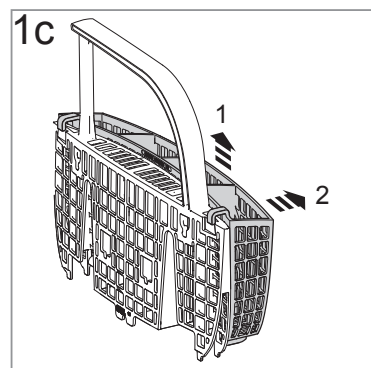
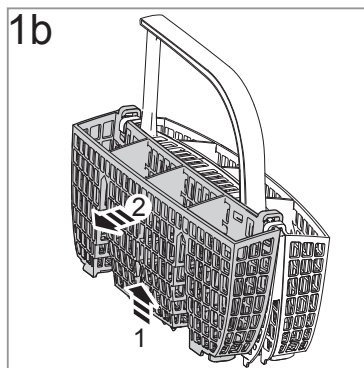
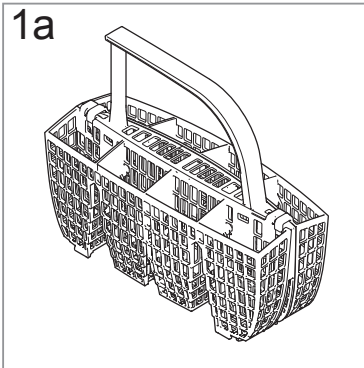


Knife basket



Cutlery basket

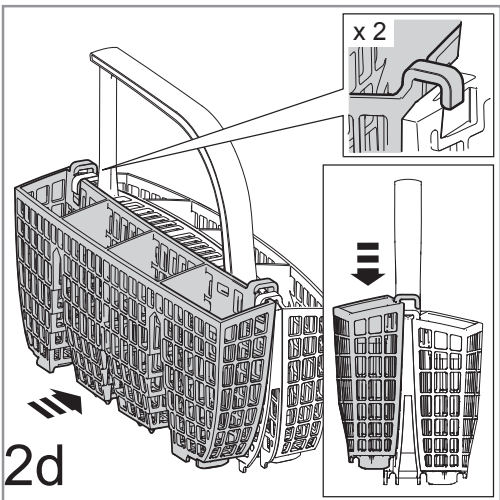
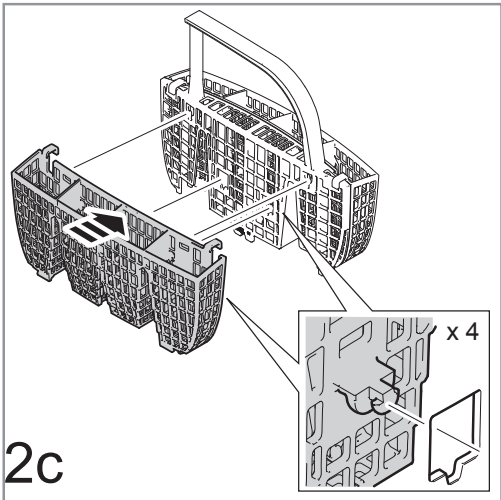
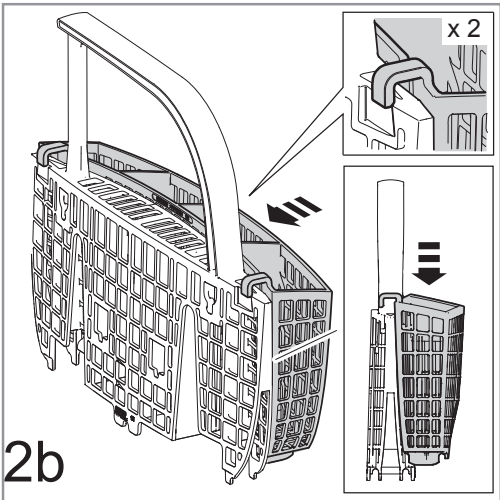
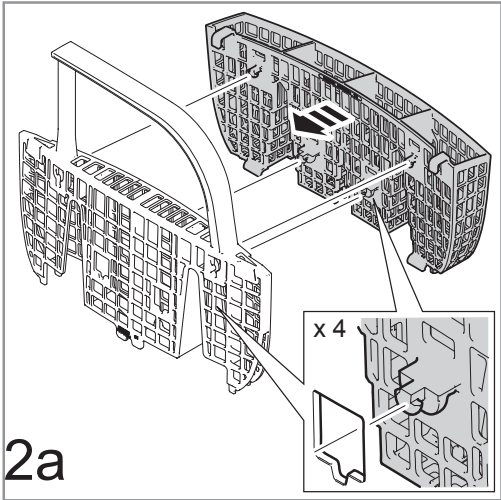
The small cutlery basket is moveable sideways and can be attached to the other cutlery basket or upper/lower basket.



*Details may differ depending on the model and market!



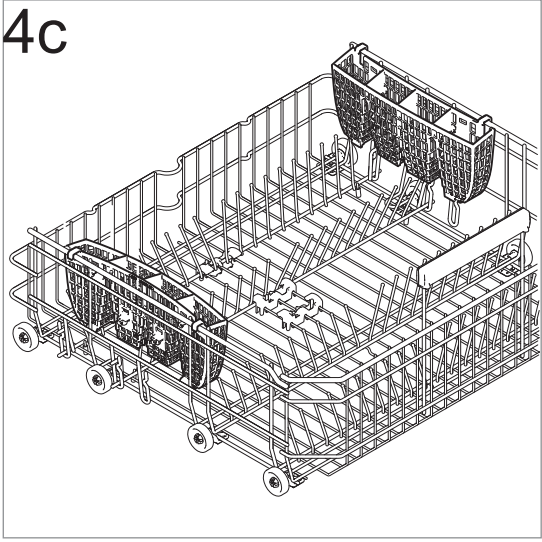
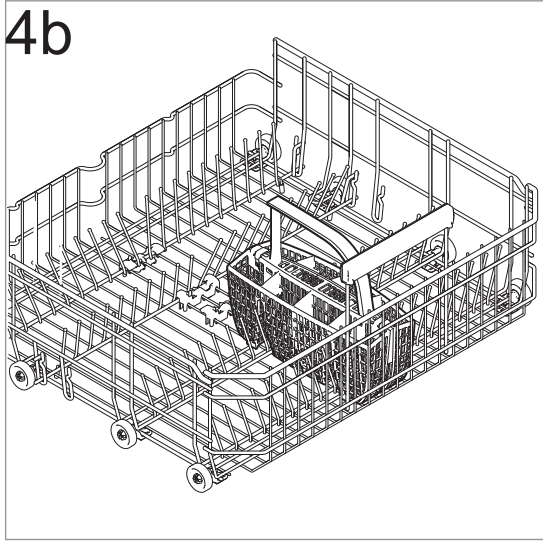
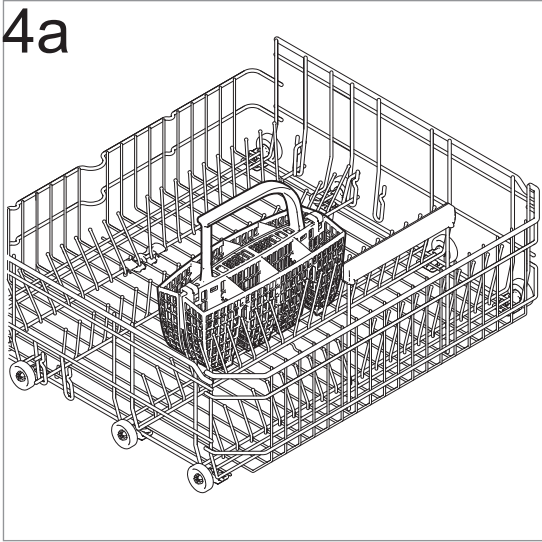
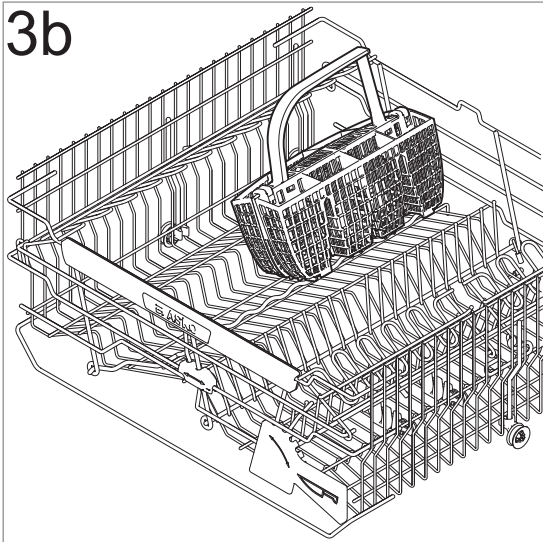
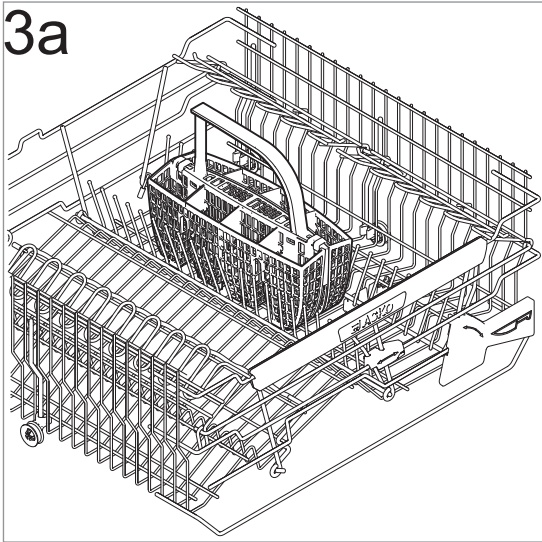
The baskets*



*Details may differ depending on the model and market!



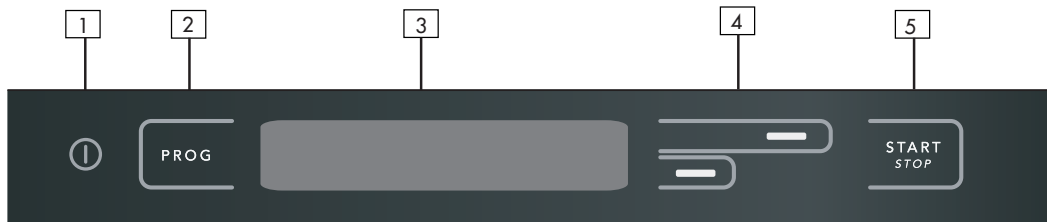
The baskets*



*Details may differ depending on the model and market!

Control panel

The panel has touch buttons with optional sounds to confirm selections.

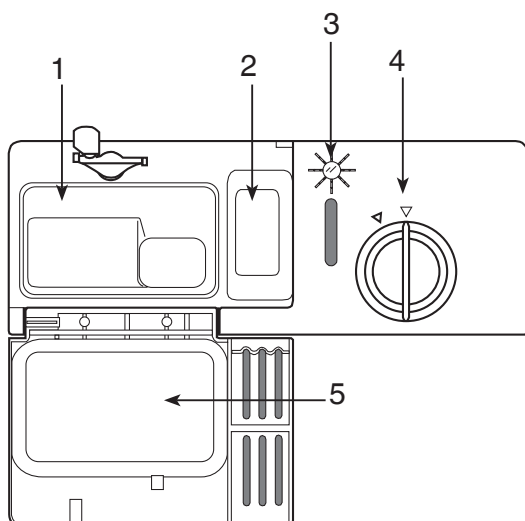


1. Main switch
2. Program selector
3. Display window
4. Navigations buttons
5. Start/stop

Important!

1. The touch buttons must be kept clean and free from grease. Use only a dry or slightly damp cloth and never cleaning fluid as this can cause scratches.
2. Use the main power switch to turn off the machine before cleaning the touch buttons to avoid activating any buttons unintentionally.
3. Wait a moment before pressing the touch buttons after opening the door.

Detergent Dispenser



1. Compartment for main wash dishwasher detergent
2. Compartment for pre-wash detergent
3. Refill indicator for rinse aid (not all models)
4. Rinse aid cover
5. Detergent compartment cover

Basic Course

Below are step-by-step instructions to help you achieve the best possible dishwashing results.

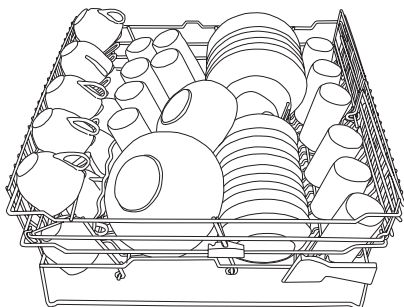
1 Load the baskets correctly!

Thanks to Self Cleaning System, you do not need to rinse the dishes under running water. Simply remove large food particles and debris. Convenient and environmentally-friendly!

Place glasses, cups, bowls, side plates, and saucers in the upper basket. Wine glasses should be hung from or leaned against the wine glass shelf and knives placed in the knife stand if present.

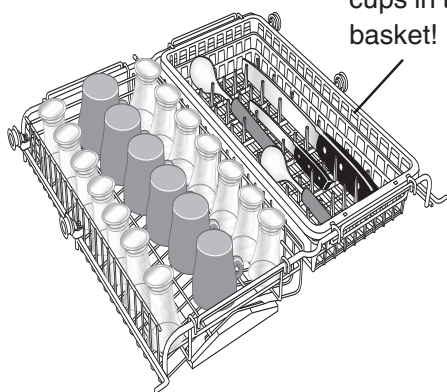
Note!

Ensure that all soiled surfaces face inwards or downwards!

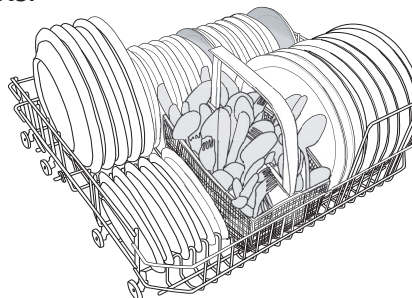


The middle basket is suitable for low items, such as cups, small glasses, or bowls. The two baskets that sit in the middle basket can be removed to create more space between the upper and lower baskets to fit taller items. The utensil basket, which is easy to remove, has room for ladles, whisks, serving cutlery, and the like.

Do not put bowls or cups in the utensils basket!



Place dinner plates, side plates, serving dishes, saucepans, and cutlery (in the cutlery basket) in the lower basket. The removable plate insert, which comes with certain models, can be easily removed to provide room for large plates, saucepans, and pots.



Stand the cutlery with handles downward and as spread out as possible. Ensure that spoons are not resting inside each other.

CAUTION!



Knives and other utensils with sharp points must be loaded in the basket with their points down or placed in a horizontal position.

Do not put cutlery made of different materials - such as silver and stainless steel - in the same compartment (risk of stains).

The cutlery basket has a folding flap in the middle for small items or narrow shafts, such as electric whisks.

Place long cutlery and carving knives in the special knife box (if present) or in the upper basket.

Check that the spray arms are able to move freely. See the section entitled Fragile Dishes if you want to wash objects that may be fragile.

Basic Course

2 Dishwashing detergent

Dispensing dishwasher detergent
Detergent should be dispensed in accordance with the water's hardness level. Follow the dosage instructions on the detergent package. If your machine is fitted with a water softener, dispense as for soft water. Pour the dishwasher detergent into the dishwasher detergent compartment. There is one compartment for pre-wash and one for main wash, see Dispenser. Phone the dishwasher detergent manufacturer if you have any questions regarding the detergent.

Dishwasher tablets

Halve the tablet if it is difficult to close the dispenser cover. There is a risk that the dishwasher detergent will not break down properly to give the correct dosage if the cover is tight and cannot be opened correctly.

3-in-1/ Multi-purpose detergent

Note!

Read the directions for use for such products carefully. If anything is unclear, contact the detergent manufacturer.


CAUTION!

Protect your children!
- Dishwasher detergent is corrosive!

NB!

Only use **dishwasher detergent**
Hand and **Clothes washing detergent**
cannot be used as the build-up of foam may damage or impede the machine's performance.

3 Switch on the main switch

 (press and hold for 3 seconds).

4 Select program

For select program see part Programs.

5 Select option

If you wish to use additional options continue to part Option. Otherwise you can now start the machine, see point 6.

Basic Course

6 Press start

The dishwasher will now start. It manages the entire wash automatically. Ensure that the door is properly closed or the machine will not start. The display shows 'Program started'. If the door is open or not properly closed, 'Close door' appears in the display.

Changing program

If you want to change program after having started the machine, press the Start/Stop button for three seconds. Then select a new program and press the Start/Stop button. Make sure there is detergent in the dispenser.

Do you want to load more dishes?

Carefully open the door; the machine will stop automatically, put in the dishes, close the door and the dishwasher will continue from where it left off.

If the machine is switched off at the main switch

(or in the event of a power cut) before the washing program has been completed, the interrupted program will continue when the power comes back on.

Note!

If the power is switched off, or if the door is open during drying, the program is interrupted.

7 After dishwashing

Once the machine has finished, it only draws standby current. Turn off the water faucet if the machine is not to be used for an extended period, such as during vacations, for example.



Drying

For additional drying the door should be opened 35 mm upon completion of the drying cycle. For more information refer to the page marked Performance Information in these instructions.

Programs

Select program

Select a program by pressing the program selector one or more times until the required program text lights up.

Press	Pos.	LCD	Comments/instructions
	1	Auto	The dishwasher detects how soiled the dishes are and adjusts water consumption and temperature accordingly.
	2	Daily	A program suitable for daily dishes. The program can also deal with dried food, though the short prewashes are not designed for burnt food.
	3	Time	A program that adjusts itself to the specified time frame or finish time. When using this program, it is however important to select a temperature and time suited to how dirty the dishes are.
	4	Heavy	The Heavy Wash program should be used for heavily soiled dishes, e.g. saucepans, pots and gratin dishes. If there is still space in the machine after loading such items, you can add plates etc.
	5	Normal	Used for washing normally soiled dishes such as plates, serving dishes, cups and glasses, etc.
	6	Mixed	This dishwashing programme is used for lightly soiled dishes in the upper basket and heavily soiled dishes in the lower basket.
	7	Upper basket	If you only have cups and glasses in the upper basket which require washing, you can use this programme.
	8	Lower basket	When you only want to wash plates and cutlery in the lower basket you can use the lower basket wash.
	9	Delicate	If the dishes are not heavily soiled, you can select Delicate wash. This program is intended for glass and china which has just been used and therefore does not need such a powerful program.
	10	Quick	Select Quick Wash if the dishes are very lightly soiled. This program is used for very lightly soiled glass and china, e.g. coffee cups.
	11	Rinse and dry	The Rinse & Dry programme comprises a rinse with heat and drying. It is a suitable programme if you are planning to make jam and want to rinse and warm previously wash glass jars.
	12	Rinse and hold	For rinsing the dishes while waiting for the machine to be filled.
START STOP 	If you wish to use additional options, continue to Selecting options. Otherwise you can now start the machine.		

Program Description

Programview						
Programs	Auto	Daily	Time	Heavy	Normal	Combi Mix
Options	--	60°C	Selectable 30 to 180 min	55°C	65°C)))	55°C
Prewashes with SCS*	--	1 prewash		2 prewashes	2 prewashes	--
Mainwash ***	--	60°C	Max. 65°C	55°C	65°C	55°C
Number of rinses	last rinse 60°C	2, last rinse 65°C	Max. 65°C	3, last rinse 60°C	2, last rinse 70°C	2, last rinse 60°C
Consumption values						
1. Wash time hot water / hour:min. **	1:25 - 2:55	1:20	1:30	2:50	2:10	2:40
Energy approx. kWh	0.5 - 0.8	0.8	0.8	0.6	0.9	0.8
2. Wash time cold water / hour:min.**	1:40 - 3:15	1:30	1:30	3:15	2:35	2:50
Energy approx. kWh	1.1 - 1.4	1.2	1.2	1.3	1.5	1.1
Water consumption	12 - 20 l	13 l	12 l	18 l	16 l	10 l
<p>* SCS = Self Cleaning System. ** All quoted times are approximate. Cycle time fluctuations may occur due to water temperature, water pressure, variations in voltage etc. 1. Hot water connection approx. 50°C. 2. Cold water connection approx. 10°C. *** The listed temperatures are set as the default from the factory. By using the temperature option you can alter the temperature.</p>						





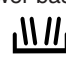
Program Description

Programview					
Programs	Upper/ Lower basket	Delicate	Quick	Rinse & Dry	Rinse & Hold
Options	55°C	50°C	60°C	☺☺☺	--
Prewashes with SCS*	--	--	--	--	--
Mainwash ***	55°C	50°C	60°C	--	--
Number of rinses	2, last rinse 60°C	2, last rinse 50°C	2, last rinse 60°C	1, last rinse 50°C	1 rinse
Consumption values					
1. Wash time hot water / hour:min. **	2:15	1:35	0:45	0:40	0:04
Energy ap- prox. kWh	0.7	0.5	0.6	0.35	0.01
2. Wash time cold water / hour:min. **	2:30	1:55	1:00	0:45	0:04
Energy ap- prox. kWh	1.1	0.9	1.0	0.45	0.01
Water con- sumption (gallon)	10 l	10 l	10 l	3 l	3 l
<p>* SCS = Self Cleaning System. ** All quoted times are approximate. Cycle time fluctuations may occur due to water temperature, water pressure, variations in voltage etc. 1. Hot water connection approx. 50°C. 2. Cold water connection approx. 10°C. *** The listed temperatures are set as the default from the factory. By using the temperature option you can alter the temperature.</p>					

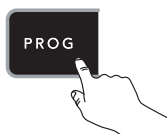
Options

Select options








To select an option, press one of the option buttons.

		Description	
Basket loaded	All baskets 	This option lets you set all spray arms in function and by this option you can wash both the upper and lower baskets.	
	Upper basket 	If you only have cups and glasses in the upper basket which require washing, you can use this program.	
	Lower basket 	When you only want to wash plates and cutlery in the lower basket you can use the lower basket wash.	
Delayed start		<ul style="list-style-type: none"> • If you want the machine to start up later, press the 'Delayed start' option button, you can delay the start 0.5-24 h. A clock symbol and the number of hours until start will appear in the display window. • Press the Start/Stop button or make a further selection. The machine will now count down the time each hour until the machine starts, and then show the remaining wash time in the display window. • To cancel Delayed start, press and hold the Start/Stop button for 3 seconds. 	
Temperature	Program	You can select the temperature from cold to 70°C for all programs except Delicate Program (from cold to 60°C).	With the temperature option button you can select the wash temperature yourself.
	Auto		
	Daily		
	Time		
	Heavy		
	Normal		
	Combi Mix		
	Upper/Lower basket		
	Delicate		
	Quick		
	Rinse&Dry		
	Rinse&Hold		

Note: Press PROG to confirm your selection.









Options

		Description
Drying	Normal 	If you desire a maximum drying result, press the Drying options button (Normal) and a symbol showing three wavy lines will light. (in all programs except Auto, Time, Rinse & Dry, Rinse & Hold, Plate heat).
	Without	If you want a program without Drying options, press the button again and the symbol will go out.
	Eco 	For save energy, select Economy dry.
Tab	Tab Off	This option is available when using a combi detergent, such as a 3-in-1 type. The dishwashing programs are automatically adjusted so that the best possible washing and drying results are always attained. If you deactivate this option, the machine will return to ordinary function for all programs. When using this option it is not necessary to add rinse aid as the rinse aid dosing function is bypassed. Salt consumption is reduced by roughly, so the water softener must still be filled with salt. Read the dishwashing detergent package carefully for directions of use. If you have problems with deposits or dishes not being dry: deactivate this option and fill with rinse aid and salt. Salt consumption applies only to machines with water softeners. See the chapter entitled "Before doing your first wash". NB: In order to achieve good dishwashing results, it is essential to check which type of dishwasher detergent or combi product best suits your needs! The instructions and warnings on the packaging must be followed!
	Tab On	
Time saver	Off	An option that shortens the program time but uses more water and energy to clean the dishes. Can be used with Heavy Wash and Normal Wash.
	On 	
Super rinse	Off	The Super rinse option adds two extra rinses. The Super rinse option can be used in all programs except the Auto wash, Time, Rinse & Hold and Rinse & Dry programs.
	On 	
Cool touch	Off	This option lets you set a cool-down cycle after the drying program, if you want the dishes to be cooler for unloading (in all programs except Auto, Time, Rinse & Dry, Rinse & Hold).
	On 	
Special settings	Yes	If you wish to use settings, continue to Special settings .
	Exit	

Special settings

To get to the Special settings

When you have selected the programme and any option, press the Menu button until 'Special settings' appears in the display.

		Description
Special settings	Yes	
Language	SE	Language on the LCD can be selected. To access the language menu directly press  and  simultaneously. 
	EN	
	RU	
	DK	
	NO	
	NL	
	DE	
	FI	
	ES	
	IT	
	FR	
Child lock	Off	Child lock can be set on or off. Default off.
	On 	
Buzzer volume	1-4	This signal is set at the factory.
Operation volume	1-4	The signal shall indicate confirmation of a selection.
Temperature units	°C	The (program) temperatures on LCD can be set in °C (Celcius) or °F (Fahrenheit).
	°F	
Water consumption	Number of wash cycles	

Eco-dishwashing

Only wash full loads

Waiting to run the wash until the machine is full saves energy.

Wash at a lower temperature

If the dishes are only lightly soiled you can run a Quick wash program and reduce the temperature to 30°C.

Select a program with Economy dry

To save energy, select Economy dry. You will get a better drying result if you leave the door slightly open after the end of the program.

Do not rinse before dishwashing

Thanks to the dishwasher's Self Cleaning System (SCS) you do not need to rinse the dishes under running water before loading them into the machine.

Choose environmentally-friendly dishwasher detergent

Read environmental declarations on the package!

Connect to cold water...

if you use oil or electricity to heat your home.

Connect to hot water...

if you use, for example, district heating, solar power or geothermal power to heat your home.

Choosing a hot water connection can cut programme times and reduce the machine's electricity consumption by as much as 50%.

Fragile dishes

A number of household goods are not suitable for machine washing. This can be due to a variety of reasons. Certain materials cannot withstand intense heat; others can be damaged by the dishwasher detergent.

Fragile decoration

China with decoration on top of the glaze (the goods have a rough feel) should not be machine washed.

Crystal/ glass

Place the goods so that they do not knock together during the wash. Use the lowest possible wash temperature and the shortest possible program. Do not heat dry! Antique and very fragile items should not be machine washed.

Glass which is machine washed at high temperatures can in time develop a grey film which cannot be removed. Wash fine glass at the lowest temperature and with a low dosage of dishwasher detergent.

Silver

Silver and stainless steel items should not come into contact with each other as the silver can discolor.

Cutlery with glued handles

Certain types of adhesive cannot withstand machine washing. In such cases the handles can come loose.

Wood

Wooden items should only be machine washed if they are labeled as dishwasher safe.

Aluminum

Aluminum can be dulled by machine washing. However, good quality aluminum saucepans can be machine washed, although a reduction in luster should be expected.

Plastic

Certain types of plastic cannot withstand the high temperature generated in machine dishwashing.

Protect plastic goods

Select a program with a low temperature.

Time remaining

When you have selected programme and option, the display shows the length of time the programme took the last time it was used. When you have started the machine, the display window shows how much of the programme time remains.

This time can vary a little from one occasion to another depending on the temperature of the inlet water, the amount of dishes, the ambient temperature, etc.

During the time the programme is operating, the time is counted down and the remaining programme time is shown in the window.

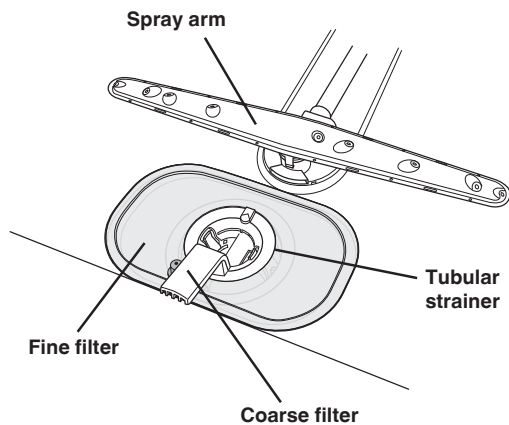
The remaining time is shown e.g. as 1:02, which means that 1 hour and 2 minutes of the programme remain.

NB!

During the first run of each programme, the remaining time display can be slightly misleading as the machine is estimating the time. If the programme takes longer than expected, it displays 1 minute until the programme is finished.

Cleaning

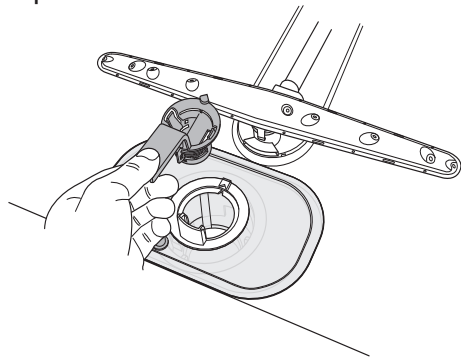
The dishwasher tub is made of stainless steel and is kept clean through normal use. However, if you have hard water, limescale deposits may form in the machine. If this happens, run a normal wash program with two tablespoons of citric acid in the dishwasher detergent compartment.



Coarse filter

The coarse filter traps larger food particles, which cannot get past the drain pump. Empty the coarse filter as necessary.

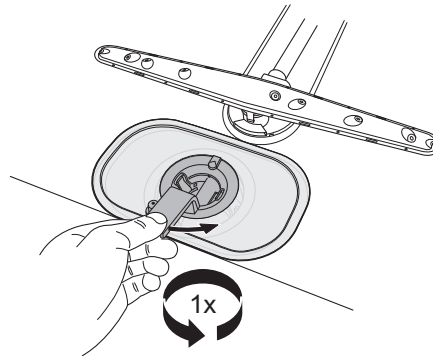
1. Lift the coarse filter by the handle.
2. Empty the coarse filter. Don't forget to replace it!



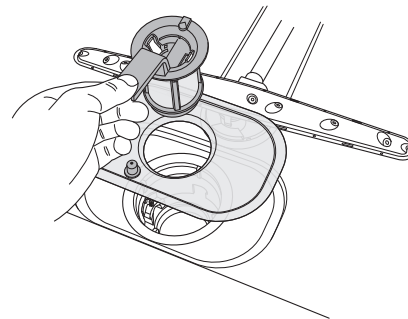
Fine filter

Debris that collects on the fine filter is automatically rinsed away during each wash. However, the fine filter and its pipe section should be cleaned once or twice a year.

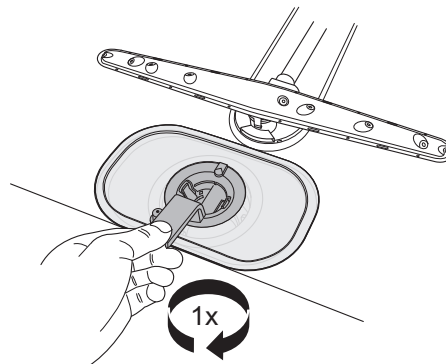
1. Turn the handle once counter-clockwise.
2. Lift the pipe section straight up by the handle. Free the coarse filter to clean the pipe section.



3. Remove and clean the fine filter.
4. Replace in reverse order. Ensure that the edges are properly sealed when replacing the fine filter.



5. Lock the filter in place by turning the handle clockwise to the stop position: the handle should point out from the dishwasher.



NOTE:

The dishwasher must not be used without the filter in place!
An improperly fitted coarse filter may affect the dishwashing result!

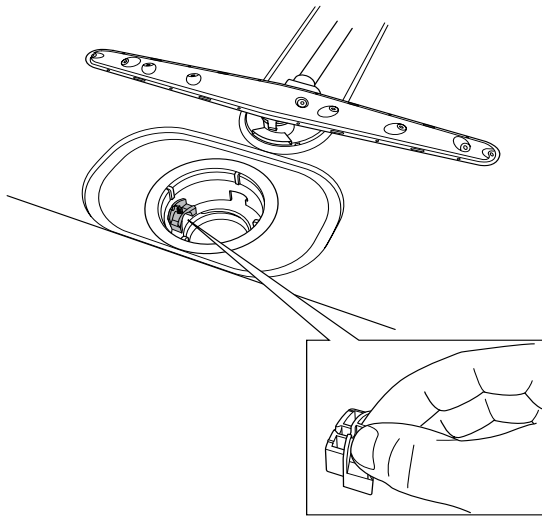


Cleaning

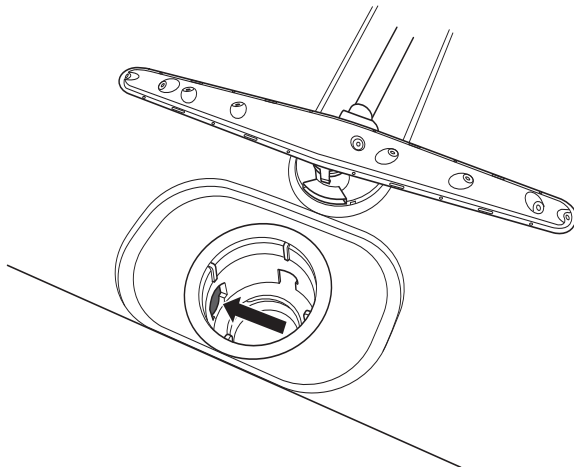
Drain pump

The pump can be accessed from inside the machine.

1. Cut the power to the machine by pulling out the plug! ⚠
2. Remove the coarse filter and pipe section.
3. Remove the small fitted piece at the left of the bottom drain (see the image below).



4. You can release and turn the pump blade by inserting your finger into the hole and release anything blocking it.
5. Reinstall the fitted piece and filters.
6. Plug the plug into the wall socket.

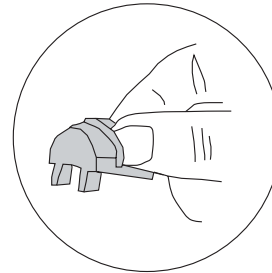


If the machine still does not start and a buzzing sound is heard, the overflow guard has been activated.

- Shut off the water.
- Pull the plug out from the wall socket.
- Call the service division.

NOTE!

Do not forget to reinstall the fitted piece.

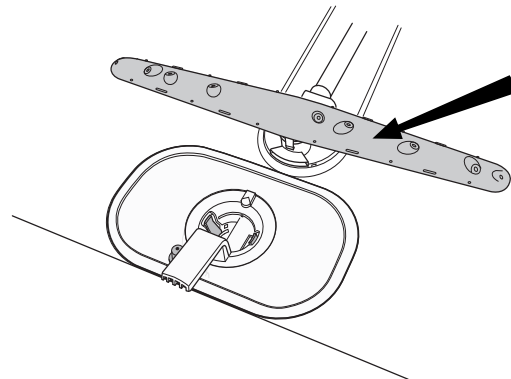


The spray arms

Holes and bearings can sometimes become blocked.

1. Pull the lower washer arm straight up to release it.
2. Remove any deposits using a needle or similar.

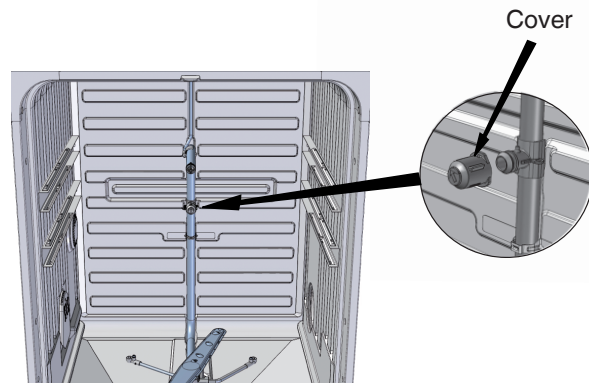
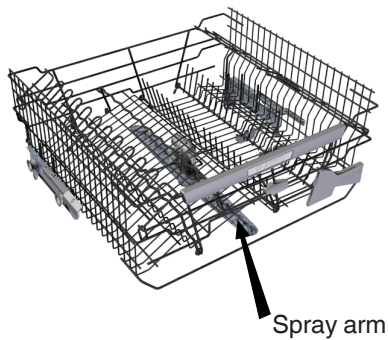
The washer arms also have holes underneath.



Cleaning

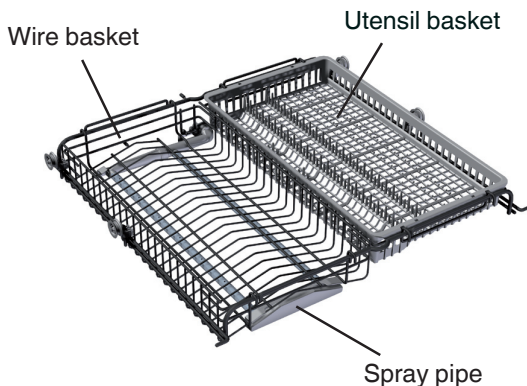
To release the upper spray arm, the upper basket must be removed.

1. Pull out the basket.
2. Remove the upper spray arm by unscrewing it counter-clockwise from the basket and clean it.
3. Screw the spray arm back into place.



Cleaning the middle basket:

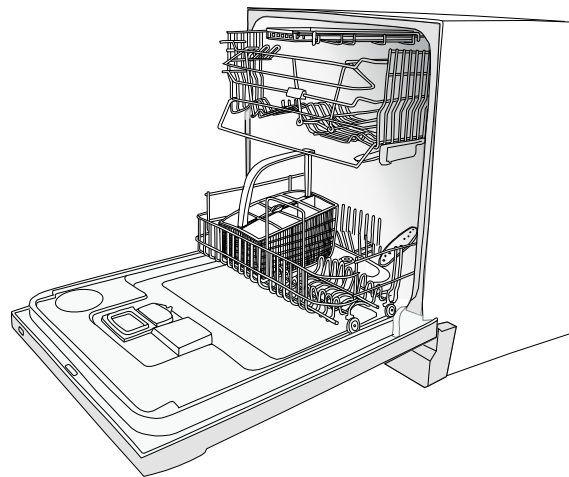
1. Pull out the basket.
2. Check the holes in the spray unit.
3. Clean with a pin or similar item.



Fit the cover securely if you are not using the wire basket.

Door

When cleaning the edge around the door, use only a slightly damp cloth, possibly with a little detergent. Do not use a spray bottle or similar around the door catch. This is to ensure that water does not penetrate into the door catch and come into contact with the electrical components.



CAUTION!

Do not use a spray bottle or similar around the door catch.

Tip!

In order to prevent bad odours in the dishwasher, clean the strips and corners with a dish brush and low-lather detergent.


Rinse aid



Adding rinse aid

In some cases, drying can be made more efficient by using rinse aid.

Machines with indicator on the panel

When the rinse aid has run out and more is needed, the rinse aid symbol  on the panel lights up*.

To fill with rinse aid:

1. Turn and lift up the cover of the rinse aid compartment to the right of the dispenser. This is where you top up and set the amount of rinse aid to be dispensed in each wash.
2. Carefully pour in rinse aid up to the dosage setting knob.

Alter dosage if required. Do not forget to close the cover.

*Note!

After filling there may be a short delay before the signal light goes out.

Machines with refill indicator in detergent dispenser

There is a refill indicator in the middle of the dispenser (see illustration). If the refill indicator is totally black, there is sufficient rinse aid. However, if the indicator has a more transparent appearance, you need to top up with rinse aid (see above).

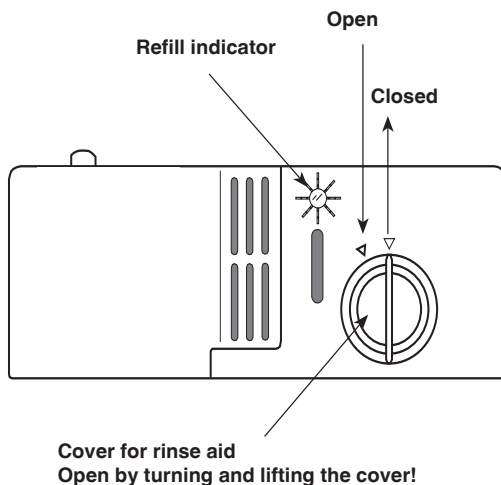
Select dosage

The dispenser is usually set at 1= soft water. However, depending on the water hardness, you may need to change the dosage.

Open the rinse aid cover. Here you will find the dispenser's adjustment dial. Settings 1-6: the harder the water, the higher the dosage. When the water hardness exceeds 3 grains, you should use rinse aid with citric acid (acid rinse aid).

Too much rinse aid can lead to the build-up of foam. If your water is particularly soft, you can dilute the rinse aid (1 part rinse aid, 1 part water).

Too much rinse aid can cause streaks on the dishes, while too little can result in water stains.



Fault indications

Display	Type of fault	Action
<i>Overfilling</i>	Too much water in the machine	Phone for service
<i>Water inlet fault</i>	Fault in the water inlet	Check that the tap is open
<i>Inlet valve leakage</i>	Inlet valve leakage	Shut off the tap and phone for service
<i>Drainage fault</i>	Blocked drain	See 'Possible causes' in chapter Troubleshooting
<i>Blocked filter</i>	Clogged filter	Clean filters, see chapter Cleaning

To remove the fault indications from the display, turn off the main switch and then turn it back on again.

Troubleshooting

Problems	Possible causes	Action
<p>The dishes are not clean</p>	<ul style="list-style-type: none"> • The spray arms are not rotating • Old dishwasher detergent. Note! Detergent is perishable • Incorrect dosage of detergent • Wrong wash program selected • Incorrect loading of the dishwasher • Glasses and cups have tipped over during the wash • Filter not correctly positioned 	<ul style="list-style-type: none"> • Lift off the arms and clean • Avoid large packs • Dispense according to the level of water hardness • Heavier programs are longer, and use higher temperatures for dirtier loads. Use a heavier program better suited for the load • Do not cover china with large bowls or the like • Try not to place too much tall glassware in the corners of the baskets • Load the china securely • Screw the filter into place
<p>Stains or a film on the china</p>	<ul style="list-style-type: none"> • Incorrectly set rinse aid dispenser • Phosphate-free detergent in combination with hard water • Too high a temperature and/or too much detergent can cause etching on (crystal) glass. Unfortunately this cannot be remedied, only prevented! 	<ul style="list-style-type: none"> • See the chapter on rinse aid • Change detergent • Wash (crystal) glass at a low temperature and use dishwasher detergent sparingly. Contact the dishwasher detergent manufacturer
<p>The china has a whitish-blue sticky film</p>	<ul style="list-style-type: none"> • Too high dosage of rinse aid 	<ul style="list-style-type: none"> • Reduce dosage. See the chapter on rinse aid. If the water is very soft, you could try diluting the rinse aid with water (1 part rinse aid, 1 part water)



Troubleshooting

Problems	Possible causes	Action
Stains on stainless steel or silver	<ul style="list-style-type: none"> • Certain food remnants such as mustard, mayonnaise, lemon, vinegar, salt, and dressings can cause stains on stainless steel if allowed to remain for any length of time. All stainless steel can mark silver if allowed to come into contact during the dishwashing process. Aluminum can also cause stains on dishes 	<ul style="list-style-type: none"> • Rinse off food residue of this type if you do not intend to start the dishwasher immediately • Separate your cutlery into various compartments in the basket. Make sure silver and stainless steel are not together
Stains which remain after dishwashing	<ul style="list-style-type: none"> • Lipstick and tea can be difficult to remove 	<ul style="list-style-type: none"> • Heavier programs are longer, and use higher temperatures for dirtier loads. Use a heavier program better suited for the load
Rattling sound during dishwashing	<ul style="list-style-type: none"> • The dishes are not properly loaded or the spray arms are not rotating 	<ul style="list-style-type: none"> • Check that the china is loaded securely. Spin the spray arms to make sure they rotate
The machine will not start	<ul style="list-style-type: none"> • You have forgotten to switch on the main switch • The door is not closed properly • The home's circuit breaker has tripped • The plug is not plugged in • The water tap is off • Overfilling/leakage • A whirring sound (the drain pump) is heard from the machine, which ceases when the power is turned off at the main power switch 	<ul style="list-style-type: none"> • Check • Check • Check • Check • Contact our Customer Care Center <ol style="list-style-type: none"> 1. Shut off the water tap 2. Unplug the electrical plug from the outlet 3. Contact our Customer Care Center at the number at the bottom of the page



Troubleshooting

Problems	Possible causes	Action
Water remains in the machine	<ul style="list-style-type: none"> • Obstruction in the drain hose • Kinks in the drain hose • The filters are clogged • Objects in the drain pump • Dirt around edges and corners 	<ul style="list-style-type: none"> • Disconnect the drain hose where it is connected to the sink's water trap. Check that no debris has become stuck. Is the cone-shaped part of the pipe cut so that the diameter is at least 16 mm? • Check that the hose is free from kinks or sharp bends • Clean out the coarse filter, the fine filter and the filter • Clean out the drain pump. See the chapter on cleaning • Clean with a dishwashing brush and low-foaming detergent
Bad odor in the machine	<ul style="list-style-type: none"> • Dirt along the strips and in corners 	<ul style="list-style-type: none"> • Clean with a dish brush and low-lather detergent
Dishes do not get sufficiently dry	<ul style="list-style-type: none"> • The Economy dry option has been selected • The machine is not fully loaded • Rinse aid is out or set for too small a dosage 	<ul style="list-style-type: none"> • Activate the Normal drying option • Load the machine full • Fill or increase the amount of rinse aid • Open the door slightly once the program has finished
Door will not close	<ul style="list-style-type: none"> • The baskets are not correctly placed 	<ul style="list-style-type: none"> • Make sure the baskets are in a horizontal position. Check that the basket water connector is aligned with the spray pipe
1 minute appears in the display	<ul style="list-style-type: none"> • The program is taking longer than estimated 	<ul style="list-style-type: none"> • No action; next time the program is run the corrected time will be displayed
The touch buttons do not react when pressed	<ul style="list-style-type: none"> • You have pressed the touch buttons too soon after opening the door • Dirt or grease on the touch buttons 	<ul style="list-style-type: none"> • Wait a moment then try again • Wipe clean with a dry or slightly damp cloth

Performance information

Test dosage

Normal wash

Main wash 25 gram Standart detergent. Rinse aid dosage 3.

Energy labelling

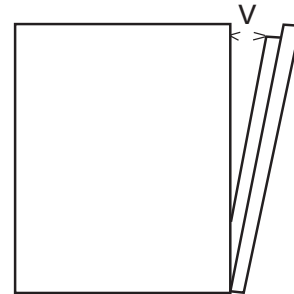
Australia: AS/NZS 2007

Dishwasher program:

Normal wash, Economy temp. 45°C, Economy drying. For the drying performance test the door should be opened upon completion of the drying cycle a distance of **35 mm** at V.

Program time: 1:35 hour:min.

Connection: Cold water



Test method noise measurement: IEC-704-3

Loading at performance test



Upper basket with 14 place settings

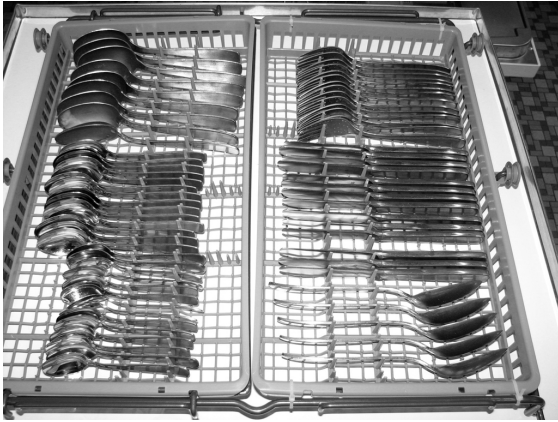
AS/NZS 2007.1



Lower basket with 14 place settings

AS/NZS 2007.1

Performance information



Utensil baskets with 14 place settings (middle basket)

AS/NZS 2007.1

Technical information

Height:	820-870 mm or 860-910**
Width:	596 mm
Weight:	48 kg*
Capacity:	14 IEC place settings
Water pressure:	0.03-1.0 MPa 0.3-10 kp/cm ² (Bar) 3-100 N/cm ²
Connection:	See type plate
Output:	See type plate

*The weight can vary due to varying specifications.

**The height depends on model

Installation

Suggestions on positioning the dishwasher
The dishwasher can be built in, fully free-standing or semi-free-standing.

CAUTION!



Connection to electricity, water and drainage must be carried out by a suitably qualified person.

A. Built-in

The dishwasher can be built in under a work-top with a working height of 860 - 910 mm. The width measurement must be at least 600 mm. For additional measurements, see picture.

B. Freestanding

A freestanding dishwasher must be fitted with anti-tilt. This comprises two fastening irons which are screwed into place as illustrated. The dishwasher is then pushed in so that the fastening irons grip onto the rear feet. The dishwasher cannot now tilt in the event a load is placed on the open door. If the dishwasher is to be fully freestanding, both side panels and the work top should be fitted. These accessories can be purchased where you purchased the dishwasher.

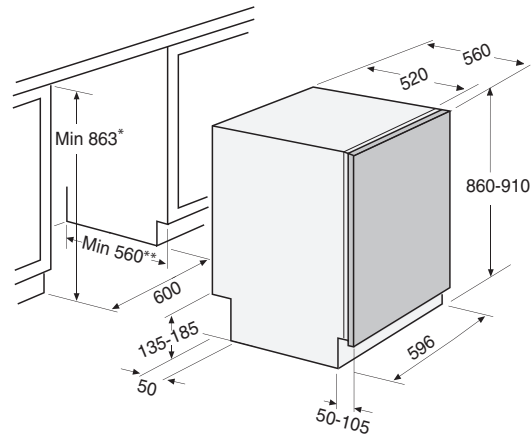
C. Semi-free-standing

If the dishwasher is positioned so that either side is visible, a side panel can be fitted. These accessories can be purchased where you purchased the dishwasher.

D. Machines with wooden door

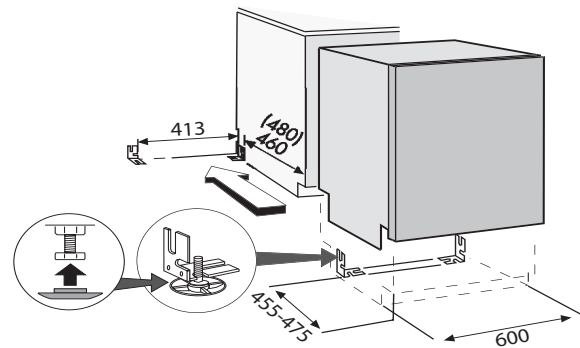
Stronger door springs are available for purchase for machines with a fitted wooden door. Springs are available for various weights and sizes of wooden door. Door springs can be purchased from the retailer who sold you the dishwasher.

Built-in installation



* With nut and sliding protection mounted
** Recommended measurements

Freestanding installation



CAUTION!



A fully freestanding dishwasher must be fitted with anti-tilt.

Tip!

A machine with side panels and a counter top (freestanding) can, of course, also be installed as a built-in unit.



Installation

Connection to water

There must be a shut-off tap on the water supply pipe. The shut-off tap should be easily accessible.

The water supply pipe has a connection with a 1/2" or 3/4" internal thread depending on country.

When the installation is complete, the shut-off tap should be opened to allow the pressure to settle for a while and to check that all connections are tight.

Only use the inlet hose supplied with the machine. Do not reuse old or other loose inlet hoses.

Connect to hot or cold water?

If you use oil or electricity to heat your home:

Connect the dishwasher to the cold water supply.

If, on the other hand, you use district heating, solar power or geothermal power:

Connect the dishwasher to the hot water supply (max. 70°C).

Connection to electricity

A dishwasher fitted with a lead and plug must be connected to an earthed socket. Repairs and maintenance relating to safety or performance must be carried out by a qualified professional.

The plug shall be accessible after installation.

NB!



The hose must be fastened level with the underside of the sink unit.

It must be discharged at least 350 mm above the bottom of the machine.

Technical data

See the type plate on the right side wall.

CAUTION!

The lead must be removed from the socket while the work is carried out!

Connection to drainage

When the drain hose is routed to a connection nipple at the sink's water trap (see illustration 1), note that the hose must be fastened level with the underside of the sink unit – otherwise the dishwater from the sink can run down into the dishwasher. The drain hose is threaded onto a cone-shaped connecting pipe at the sink unit's water trap. The cone-shaped pipe must be cut to an internal diameter of at least 16 mm. For other alternative connections, see illustrations 2 and 3.

The drain hose may be lengthened by a maximum of 3 m (the total length of the drain hose may not exceed 4.5 m). Any connections and connecting pipes must have an internal diameter of at least 16 mm. However, the drain hose should ideally be replaced with a new hose without joints.

Attach the drain hose with a securing clamp.

No part of the drain hose may be more than 950 mm above the bottom of the machine. The hose must not be routed directly to the floor drain or similar. In such cases, the hose can act as a siphon and empty the dishwasher.

Illustration 1

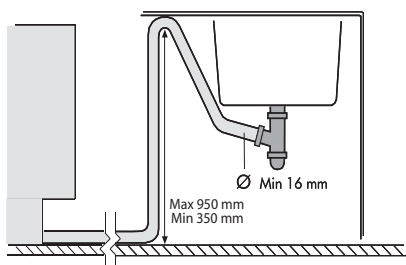


Illustration 2

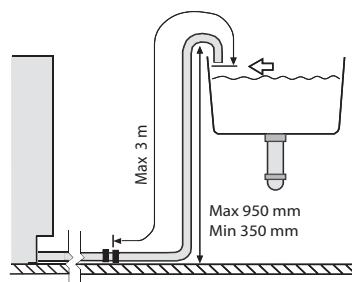
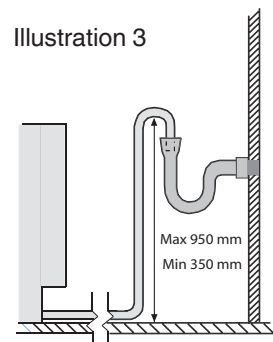


Illustration 3

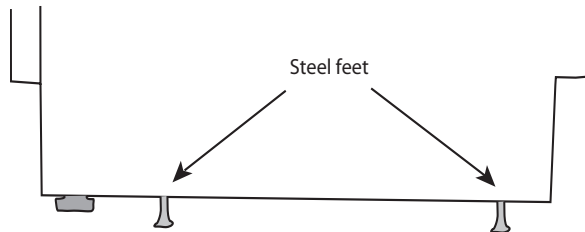


Installation

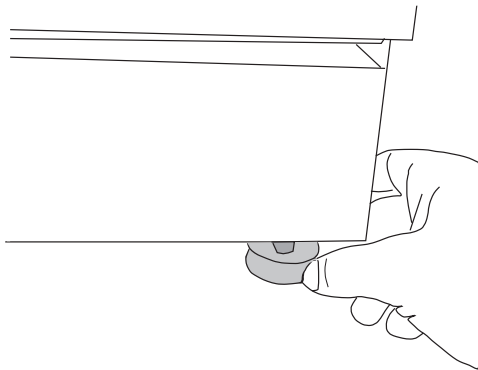
Positioning the machine

A. Adjusting freestanding dishwashers

1. Adjust the height of the dishwasher with the four steel feet.
2. Lock the feet with the nuts.

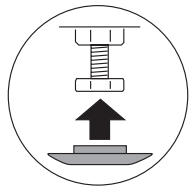


3. After the steel feet have been adjusted, screw down the two rubber feet tightly against the floor. The rubber feet now work as anti-tilt protection.



B. Adjusting machines with three or four feet

1. Start by measuring the height from the floor to the underside of the work top of your kitchen bench.
2. Install the sliding feet on the dishwasher.



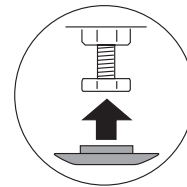
3. Measure the height from the floor to the top edge of the dishwasher.
4. Adjust all the feet by screwing them clockwise to raise or anti-clockwise to lower.
5. Check that the height of the machine corresponds to the height from the floor to the

underside of the work surface. Tighten the locking nuts (locking nut) on the rear feet.

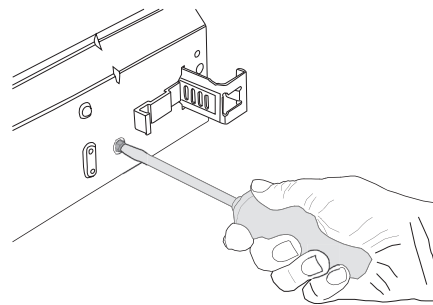
6. Push the dishwasher into place.
7. Finely adjust the front feet and tighten the locking nuts.

C. Adjusting machines with adjustable feet

1. Start by measuring the height from the floor to the underside of the work surface.
2. Install the sliding feet on the dishwasher.



3. Measure the height from the floor to the top edge of the dishwasher.
4. Tilt the dishwasher forward a fraction and roughly adjust the rear foot by screwing the set screw at the front clockwise to raise or anti-clockwise to lower (illustrated below). Use a broad screwdriver or a hexagonal head screwdriver.
5. Adjust the front feet by turning them clockwise to raise or anti-clockwise to lower.
6. Check that the height of the machine corresponds to the height from the floor to the underside of the work surface.
7. Push the dishwasher into place.
8. Finely adjust the feet and tighten the locking nuts on the front feet.

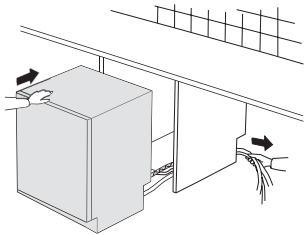


Installation

Not all models

Slide the dishwasher into place

- Pull the drainage hose and connection pipe when the machine is pushed into place.
- Check that the hose has no kinks or sharp bends, and check that there is nothing that can damage the hoses.

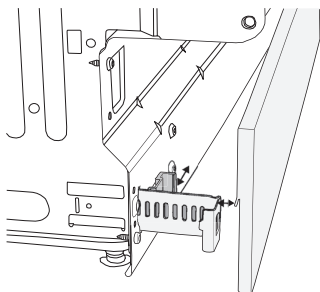


Installing the plinth (kick plate)

The dishwasher has two kick-plates (some models). The taller one should be used if the machine is to be 850 - 870 mm high and the depth of the plinth can be varied between 45 - 105 mm. The lower one is to be used if the machine will be 820 - 845 mm with a plinth depth of between 50 - 105 mm. Attach the enclosed felt insulation to the kick-plate (some models).

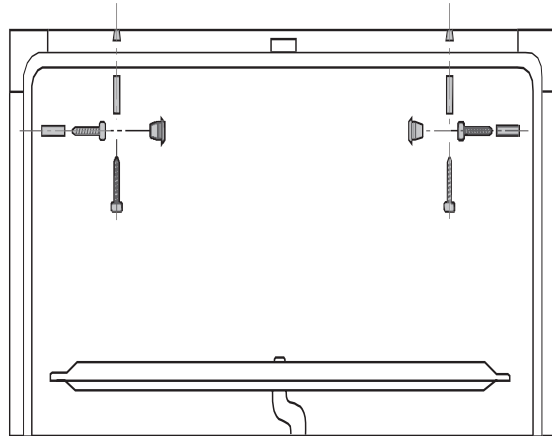
Set the correct plinth depth as follows:

1. Bring the grey hooks towards each other and pull out the brackets as far as required. Press in the catches so that they lock the brackets in place.
2. Suspend the kick-plate from the brackets by pushing into the slots.



Screw the dishwasher into place

The enclosed plastic plugs are used for covering the screw holes if the dishwasher is to be screwed at the sides. After fixing check that the front feet are in contact with the floor.

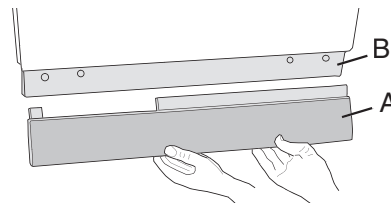


Fitting strip seal

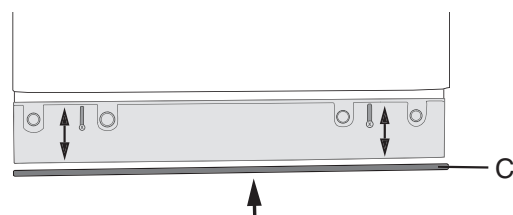
(on floor plinth covering plate)

Proceed as follows:

1. Remove the plastic plinth by gripping with both hands under the plastic plinth (A), and lift outwards and upwards.



2. Undo the two screws on the covering plate (B).
3. Glue the accompanying rubber strip (C) to the underside of the covering plate (against the floor).
4. Screw the covering plate back into place. Adjust the covering plate so that the rubber strip is just in contact with the floor.



5. Replace the plastic plinth

Service & guarantee

Service

Before calling for service, check to see whether the fault is due to something that you can rectify yourself.
See Troubleshooting.

Guarantee

For guarantee details, see the guarantee card.

Quick Guide

1. Load the baskets correctly!

Thanks to the Self Cleaning System you don't need to rinse the dishes, simply scrape large food particles and debris.

2. Dispensing dishwasher detergent

The detergent compartment has a small compartment for pre-wash and one for main wash.

3. Ensure that the spray arms can rotate freely

4. Turn on the main power switch


5. Close the door


6. Select the program and press start

For normally soiled dishes, use the Normal Wash program 65° C and Normal drying.

To save more water and energy use Economy temperature and Economy drying.

Mini Program Guide

Programview						
Programs	Auto	Daily	Time	Heavy	Normal	Combi Mix
Options	--	60°C	Selectable 30 to 180 min	55°C	65°C 	55°C
Prewashes with SCS	--	1 prewash		2 prewashes	2 prewashes	--
Mainwash	--	60°C	Max. 65°C	55°C	65°C	55°C
Number of rinses	last rinse 60°C	2, last rinse 65°C	Max. 65°C	3, last rinse 60°C	2, last rinse 70°C	2, last rinse 60°C

Programview					
Programs	Upper/ Lower basket	Delicate	Quick	Rinse & Dry	Rinse & Hold
Options	55°C	50°C	60°C 	--	--
Prewashes with SCS	--	--	--	--	--
Mainwash	55°C	50°C	60°C	--	--
Number of rinses	2, last rinse 60°C	2, last rinse 50°C	2, last rinse 60°C	1, last rinse 50°C	1 rinse

Item No.: 80 825 57 Rev. 02 We reserve the right to make changes.

Printed on environmentally-friendly paper that meets the demands of Friends of the Earth and the Swedish Society for Nature Conservation.

