

This Owner's Manual is provided and hosted by [Appliance Factory Parts](#).



ASKO D5893 Owner's Manual

[Shop genuine replacement parts for ASKO D5893](#)



[Find Your ASKO Dishwasher Parts - Select From 209 Models](#)

----- Manual continues below -----



Spare Parts Catalogue

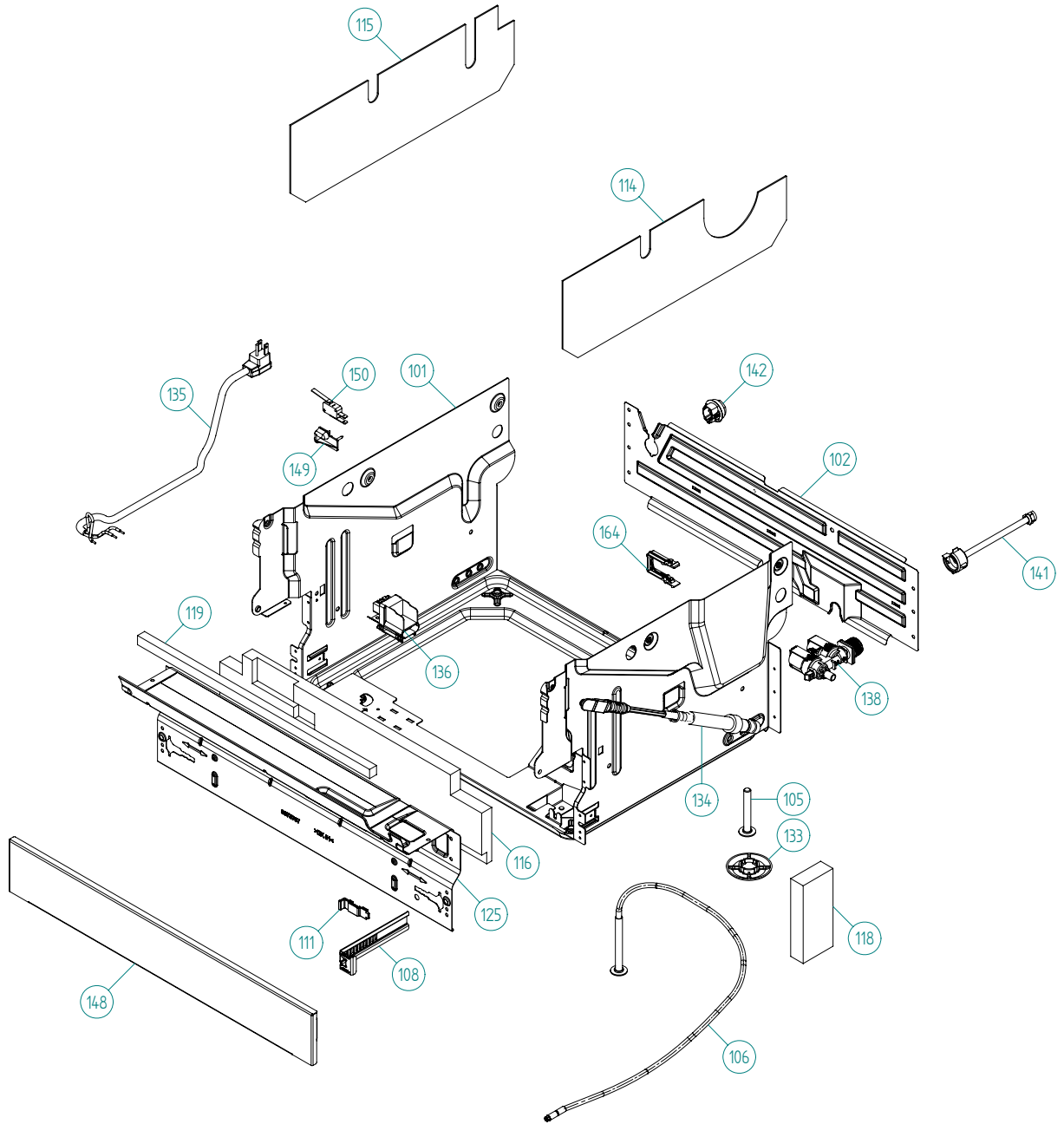
Dishwashers \ ASKO 5000 XXL Series
Type: DW70.4
Model: D5893 US SS

Prod. No: 1075893121

May 11th 2009

ASKO Appliances Inc.

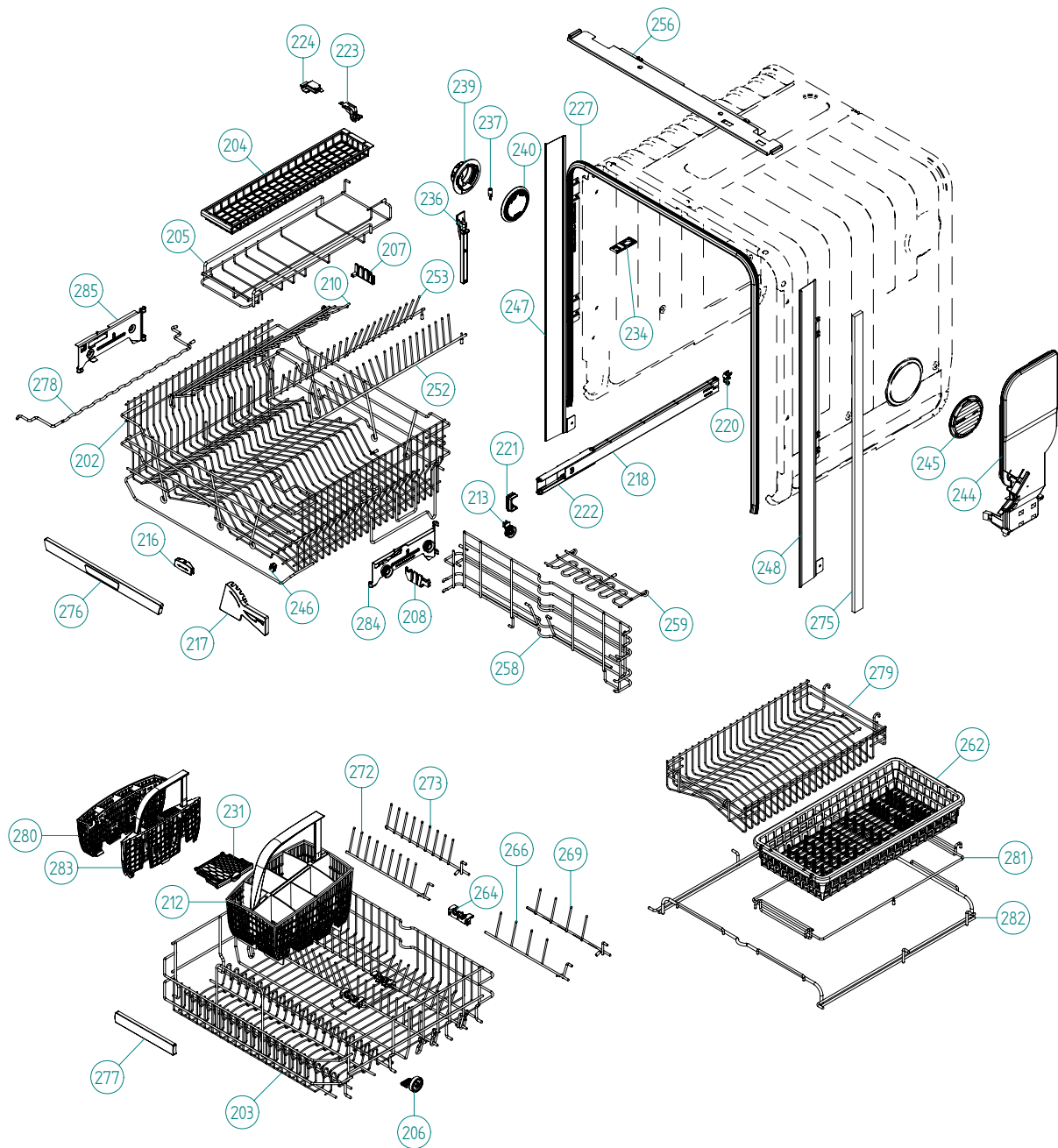
4001 E Plano Parkway #1004001 E Plano Parkway #100
Plano, Texas 75074



Base & Related Parts

ASKO, D5893 US - SS (DW70.4)

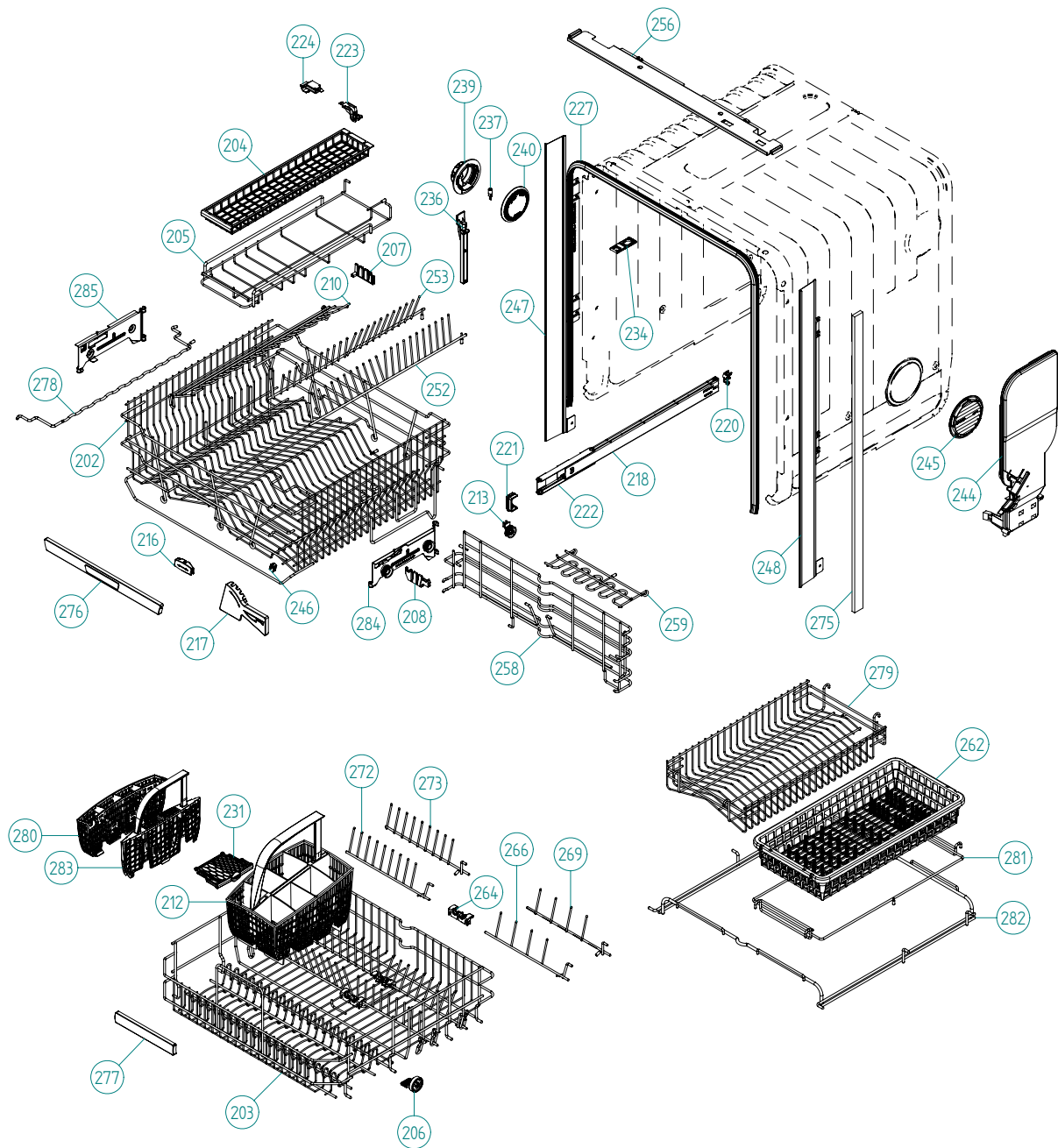
| Pos | Spare part No. | Description | Qty | Comment |
|-------|----------------|--------------------------------|--------|---------|
| 101 | 8801387 | BOTTOM OUTER COMPL. | 1 Pc's | |
| 102 | 8078006 | REAR PANEL | 1 Pc's | |
| 105 | 8074228 | Foot | 2 Pc's | |
| 106 | 8082222 | FOOT ADJUSTABLE FROM FRONT CPL | 1 Pc's | |
| 108 | 8073480 | Toe Kick bracket Right & Left | 2 Pc's | |
| 111 | 8073481-49 | Spring Kicking Plate L Gray | 2 Pc's | |
| 114 | 8078109 | SOUND ABSORP. SELF AD. RIGHT | 1 Pc's | |
| 115 | 8078108 | SOUND ABSORP. SELF AD. LEFT | 1 Pc's | |
| 116 | 8078114 | SOUND ABSORBENT GUARD PLATE | 1 Pc's | |
| 118 | 8078112 | SOUND AB.BLOCK BOTTOM OUTER | 2 Pc's | |
| 119 | 8078122 | SOUND ABSORPTION PROFILE | 1 Pc's | |
| 125 | 8078008 | GUARD PLATE STRAIGHT | 1 Pc's | |
| 133 | 8051957 | Glide Foot | 3 Pc's | |
| 134 | 8079528 | Door Spring-DW70-Yellow | 1 Pc's | |
| 134 | 8079529 | Door Spring-DW70-Red | 1 Pc's | |
| 135 | 8083262 | CORD SET 15A AMERICA | 1 Pc's | |
| 135 | 8079046 | CORD SET AMERICA | 1 Pc's | |
| 137 | 8083041 | FILTER WITH SCREWPLINT | 1 Pc's | |
| 137-a | 8901097 | Screw Terminal | 1 Pc's | |
| 138 | 8801374 | KIT INL.VALVE/LOCKARM SEC.120V | 1 Pc's | |
| 138-a | 8079597 | LOCK ARM INLET VALVE | 1 Pc's | |
| 141 | 8079522 | PEX Inlet hose DW | 1 Pc's | |
| 142 | 8006948 | Grommet | 1 Pc's | |
| 144 | 8074585 | Felt Kick Plate 05 | 1 Pc's | |
| 148 | 8073506-81 | kick plate metallic | 1 Pc's | |
| 149 | 8054907 | BRACKET LAMP SWITCH | 1 Pc's | |
| 149-a | 8902087 | Screw Plastic Housing 20 Torx | 1 Pc's | |
| 150 | 8073834 | MICROSWITCH LIGHTING | 1 Pc's | |
| 162 | 8079832 | CABLE HOLDER SRC-8-01 | 1 Pc's | |
| 163 | 8078113 | SOUND ABSORPTION REARPANEL | 1 Pc's | |
| 164 | 8079597 | LOCK ARM INLET VALVE | 1 Pc's | |
| 165 | 8078013 | HOLDER DOOR SPRING OUT. BOTTOM | 1 Pc's | |
| 165-a | 8902362 | SCREW RTK ST 4,2X9,5 FZB WAX. | 1 Pc's | |



Baskets & Related Parts

ASKO, D5893 US - SS (DW70.4)

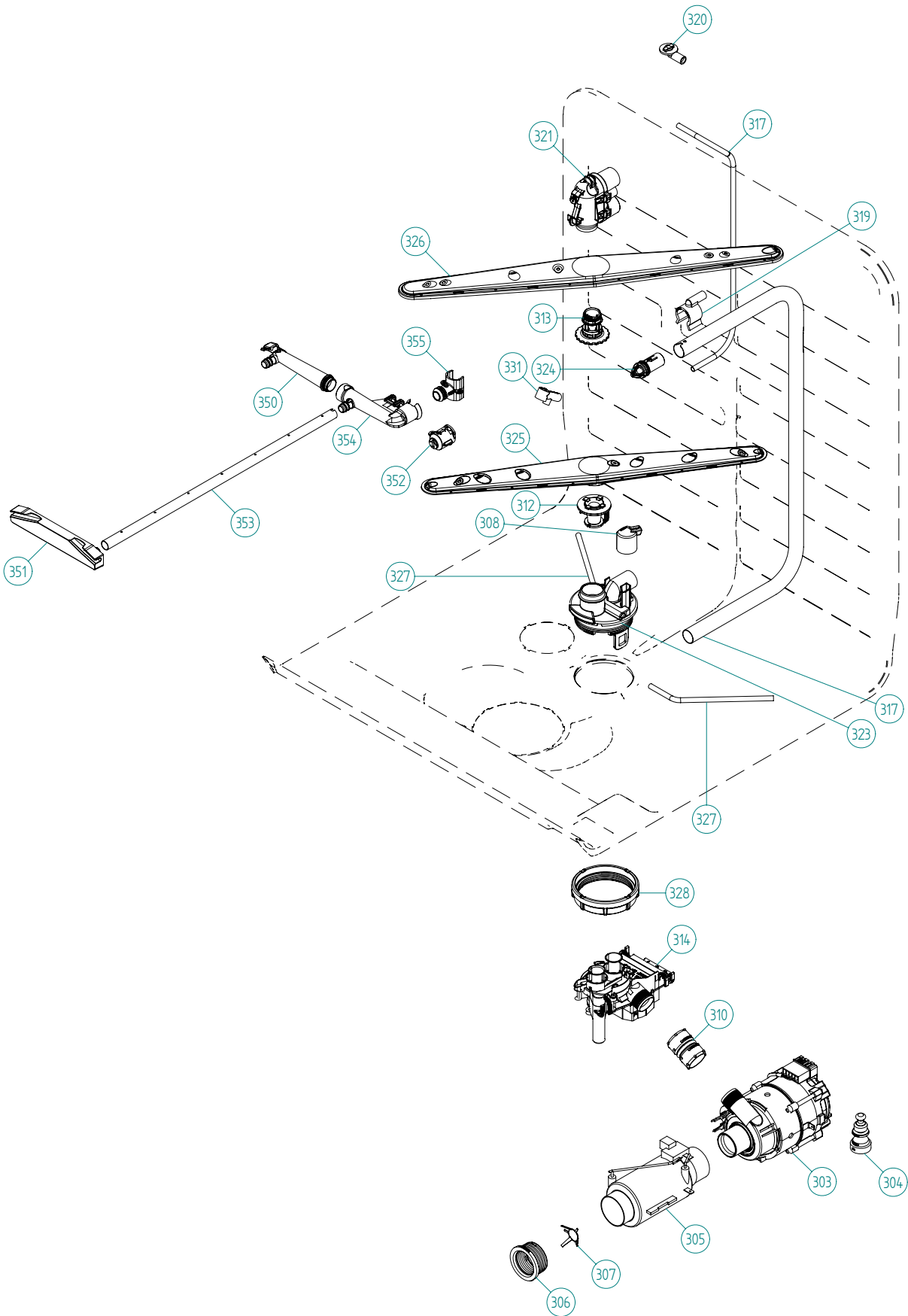
| Pos | Spare part No. | Description | Qty | Comment |
|-------|----------------|--------------------------------|--------|------------------|
| 201 | 8057056 | - | 1 Pc's | Not a spare part |
| 202 | 8801358-36 | UPPER BASKET EXCL. COMPL. H&L | 1 Pc's | |
| 203 | 8801316-36 | LOWER BASKET EXCL D.GREY 07 | 1 Pc's | New design |
| 204 | 8053376-77 | Long Rack Silverware Upper | 1 Pc's | |
| 205 | 8057058-36 | Basket knife box 05 | 1 Pc's | |
| 206 | 8079257-77 | WHEEL FOR LOW DISHW BASKET CPL | 8 Pc's | New design |
| 207 | 8057505-77 | Knife Holder DW 05/06 | 1 Pc's | |
| 208 | 8071214-77 | Knife Holder 05/06 DW | 2 Pc's | |
| 210 | 8071337-36 | Cup Shelf Wine Glass 05/06 DW | 1 Pc's | |
| 212 | 8801317-77 | CUTLERY BASKET COMPL. 07 | 1 Pc's | New design |
| 213 | 8058498-77 | Upper Basket Wheel | 4 Pc's | |
| 216 | 8072553-77 | BRACKET PIN ROW UPPER BASKET | 1 Pc's | |
| 217 | 8072554-77 | KNIFE GUARD | 1 Pc's | |
| 218 | 8057052 | DW Upper Basket Guide Rail | 2 Pc's | |
| 220 | 8057978-77 | DW Rail Stop - Back Grey | 2 Pc's | |
| 221 | 8057979-77 | Rack Stop Grey 05/06 DW | 2 Pc's | |
| 222 | 8801349-77 | KIT BALL HOLDER INCL. BALLS | 1 Pc's | |
| 223 | 8057502 | Clip Upper Knife Rack DW | 1 Pc's | |
| 224 | 8058453 | Clip Knife Basket 1800s DW | 1 Pc's | |
| 225 | 8057978-77 | DW Rail Stop - Back Grey | 2 Pc's | |
| 227 | 8057489-F | DOOR STRIP XXL DW70 | 1 Pc's | |
| 231 | 8079251-77 | DOOR CUTLERYBASKET UL4 | 1 Pc's | New design |
| 234 | 8070649 | Lock Hitch Int | 1 Pc's | |
| 234-a | 8070648 | Lock Washer Int | 1 Pc's | Part of 8070469 |
| 234-b | 8901104 | Screw 20 Torx Machine | 1 Pc's | |
| 236 | 8076590 | CABLE BAR LONG | 1 Pc's | |
| 237 | 8073830 | Halogen Lamp | 1 Pc's | |
| 239 | 8072426 | Lamp Guard | 1 Pc's | |
| 239-a | 8901765 | ORing det Comp 03/04 DW | 1 Pc's | |
| 240 | 8072425 | Lamp Chimney | 1 Pc's | |
| 244 | 8078300 | AIRBREAK STD. DW70 UL4 | 1 Pc's | |
| 245 | 8057536-77 | Lockring Airbreak Gray | 1 Pc's | |
| 246 | 8075350 | Clip for Knife Guard | 1 Pc's | |
| 247 | 8074342-E-95 | Trim Strip Left XL/XXL | 1 Pc's | |
| 247-a | 8900646 | Screw 20 Torx SS | 2 Pc's | |
| 248 | 8074343-E-95 | Trim Strip Right XL/XXL | 1 Pc's | |
| 248-a | 8900646 | Screw 20 Torx SS | 2 Pc's | |
| 252 | 8072552-36 | PLATERACK RIGHT U-BASKET | 1 Pc's | |
| 253 | 8072551-36 | PLATERACK LEFT U-BASKET | 1 Pc's | |
| 256 | 8075663-95 | Trim Rail XL/XXL | 1 Pc's | |
| 258 | 8801333-36 | WINEGLASS SHELF LOWER BASKET | 1 Pc's | |
| 259 | 8076619-36 | wine glass cup shelf divider | 2 Pc's | |
| 262 | 8076639-77 | BASKET FOR HEAVY CUTLERYS | 1 Pc's | |
| 264 | 8076632-77 | Holder | 3 Pc's | |
| 266 | 8079130-36 | PLATERACK SHORT&THIN LEFT | 1 Pc's | |
| 269 | 8079131-36 | PLATERACK SHORT&THIN RIGHT | 1 Pc's | |
| 272 | 8079123-36 | PLATERACK SHORT LEFT D-GREY | 1 Pc's | |
| 273 | 8079124-36 | PLATERACK SHORT RIGHT D-GREY | 1 Pc's | |
| 275 | 8070614 | SEALING STRIPE TRIM STRIPE USA | 2 Pc's | |
| 276 | 8801330-77 | HANDLE U-BASKET COMPL. ASKO | 1 Pc's | |
| 277 | 8801332-77 | HANDLE LOWER BASKET COMPL. | 1 Pc's | |
| 278 | 8072764-36 | GLASS SUPPORT D-GREY | 1 Pc's | |
| 278 | 8079144-36 | GLASS SUPPORT D-GREY | 1 Pc's | |
| 279 | 8079255-36 | INSERT BOWL BASKET D-GREY | 1 Pc's | |
| 280 | 8079589-77 | MINI BASKET | 2 Pc's | |
| 281 | 8079254-36 | INSERT CUTLERY MIDDLE BASKET | 1 Pc's | |
| 282 | 8079253-36 | MIDDLE BASKET D-GREY | 1 Pc's | |
| 283 | 8079590-77 | HANDLE MINI BASKET | 1 Pc's | |
| 284 | 8079138 | BRACKET RIGHT ADJUSTABLE BASK | 1 Pc's | |
| 285 | 8079139 | BRACKET LEFT ADJUSTABLE BASK | 1 Pc's | |



Baskets & Related Parts

ASKO, D5893 US - SS (DW70.4)
Pos Spare part No. Description

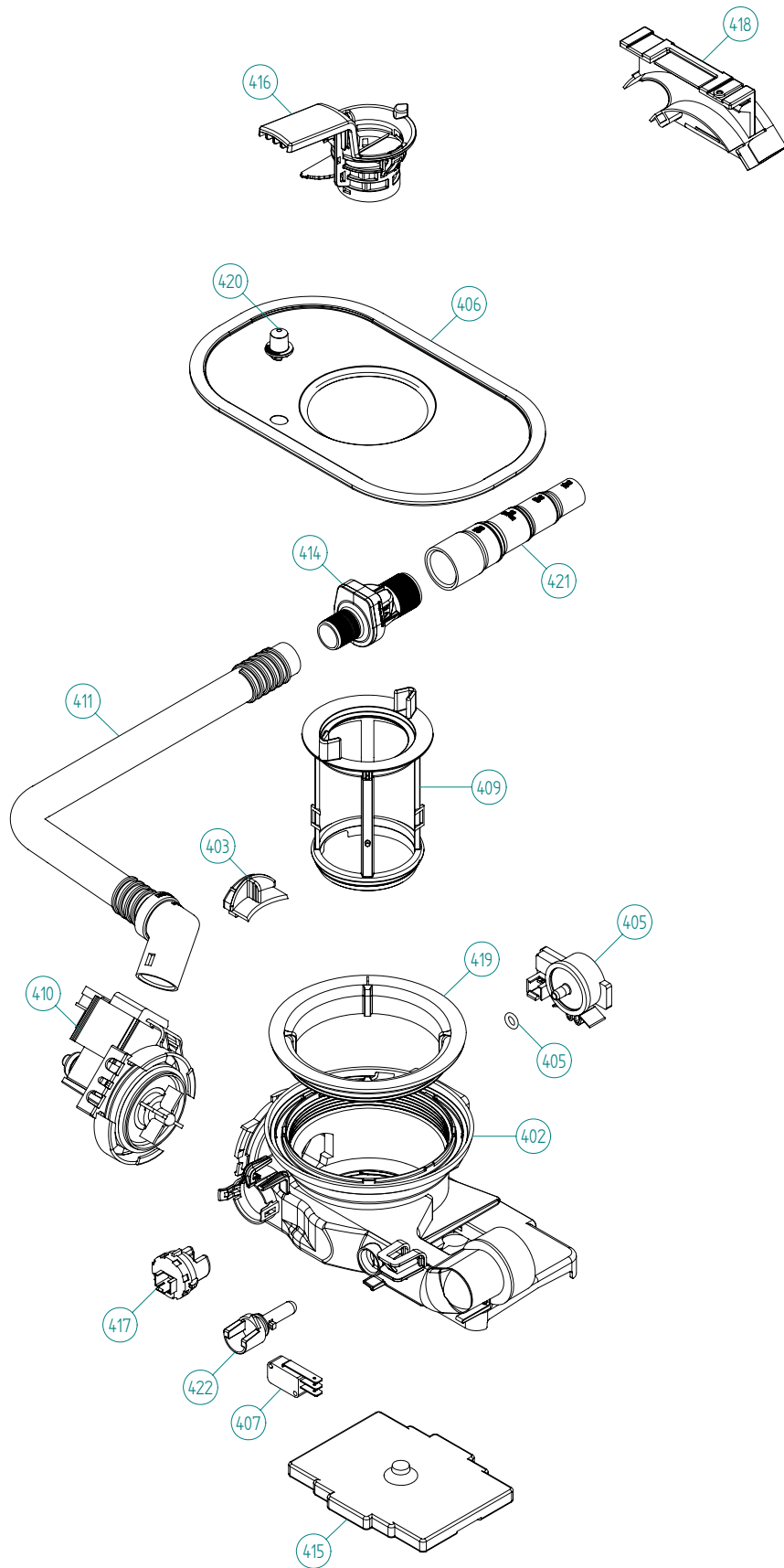
Qty Comment



Wash System

ASKO, D5893 US - SS (DW70.4)

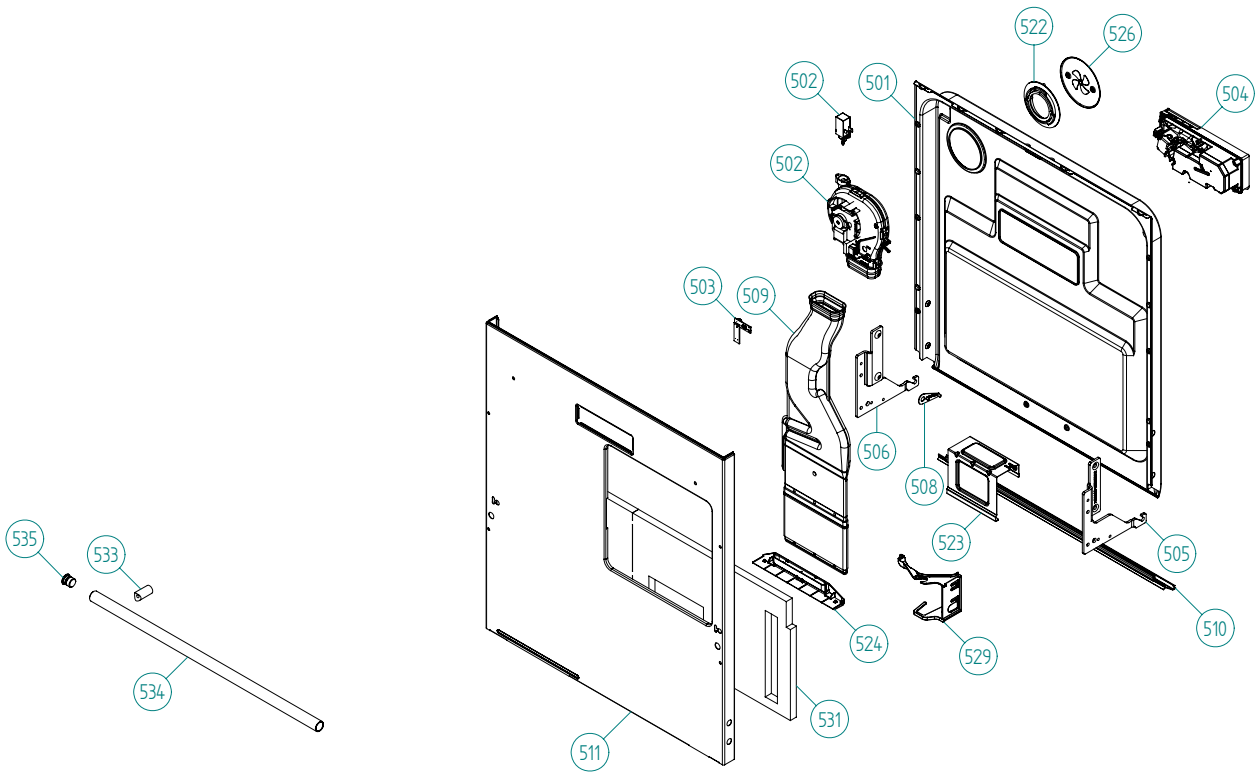
| Pos | Spare part No. | Description | Qty | Comment |
|-------|----------------|--------------------------------|--------|--------------------------------------|
| 301 | 8078001 | BOTTOM REARSIDE XXL | 1 Pc's | Not to be ordered |
| 303 | 8078082 | CIRC.PUMP 120V 60HZ | 1 Pc's | |
| 303-a | 8083804 | Capacitor 7,0UF 400V P2 CLASS | 1 Pc's | |
| 304 | 8075130 | Rubber Damper Circ Pump | 1 Pc's | |
| 305 | 8079505 | HEATINGELEMENT 1200W 120V | 1 Pc's | |
| 306 | 8079531 | SEALING HEATER DW70 UL4 | 2 Pc's | |
| 307 | 8079575 | INSERT FOR HEATER | 1 Pc's | |
| 308 | 8073385-77 | Cup Drainage Gray | 1 Pc's | |
| 310 | 8072888 | Hose Circ Pump | 1 Pc's | |
| 310-a | 8056491 | HOSE CLIP 30.1-708 | 2 Pc's | |
| 312 | 8076901-77 | Spray arm bearing | 1 Pc's | |
| 313 | 8079108-77 | SPRAYARM BEARING H&L U.BASKET | 1 Pc's | |
| 314 | 8078085 | WATER DIVERTER VALVE 120V 60HZ | 1 Pc's | |
| 317 | 8079145 | SPRAY PIPE KNIFE SPRAYER H&L | 1 Pc's | |
| 317 | 8079112-EDH | SPRAYTUBE ADJ. U-BASK XXL 8,5 | 1 Pc's | |
| 319 | 8057504-77 | SPRAY PIPE GROMMET LOWER GREY | 1 Pc's | |
| 320 | 8057503-77 | Spray Pipe Grommet Upper Gray | 1 Pc's | |
| 321 | 8801359 | SPRAYTOWER COMPL H&L BASKET | 1 Pc's | |
| 323 | 8081911-LL-77 | SPRAYTOWER L FOR 2 NOZZLE UL4 | 1 Pc's | |
| 324 | 8079113-77 | GUIDE SPRAYTUBE ADJ BASKET | 1 Pc's | |
| 325 | 8072891 | Spray Arm Lower Complete | 1 Pc's | |
| 326 | 8079111 | SPRAYARM CPL H&L BASKET | 1 Pc's | |
| 327 | 8079147 | TUBE POTRINSE FLANGED | 1 Pc's | |
| 327 | 8073381 | Tube Pot Rinse | 1 Pc's | |
| 327-a | 8902085 | Screw 20T for Plastic | 2 Pc's | |
| 328 | 8071607 | Locking Spray Pipe Bearing | 1 Pc's | |
| 331 | 8072543-77 | Spray Nozzle | 2 Pc's | For part no 8073381 and 8072730-L-77 |
| 350 | 8079268-77 | BRACKET SPRAY PIPE MIDDLE BASK | 1 Pc's | |
| 351 | 8079265-77 | END PLUG SPRAY PIPE MIDDLEBASK | 1 Pc's | |
| 352 | 8079576-77 | LID SPRAY TUBE INLET MID.BASK. | 1 Pc's | |
| 353 | 8080860 | SPRAY PIPE MIDDLE BASKET | 2 Pc's | |
| 354 | 8079266-77 | CONNECTION SPRAY PIPE BASKET | 1 Pc's | |
| 355 | 8079267-77 | SPRAY PIPE GROMMET MIDDLE BASK | 1 Pc's | |



Bottom Well & Related Parts

ASKO, D5893 US - SS (DW70.4)

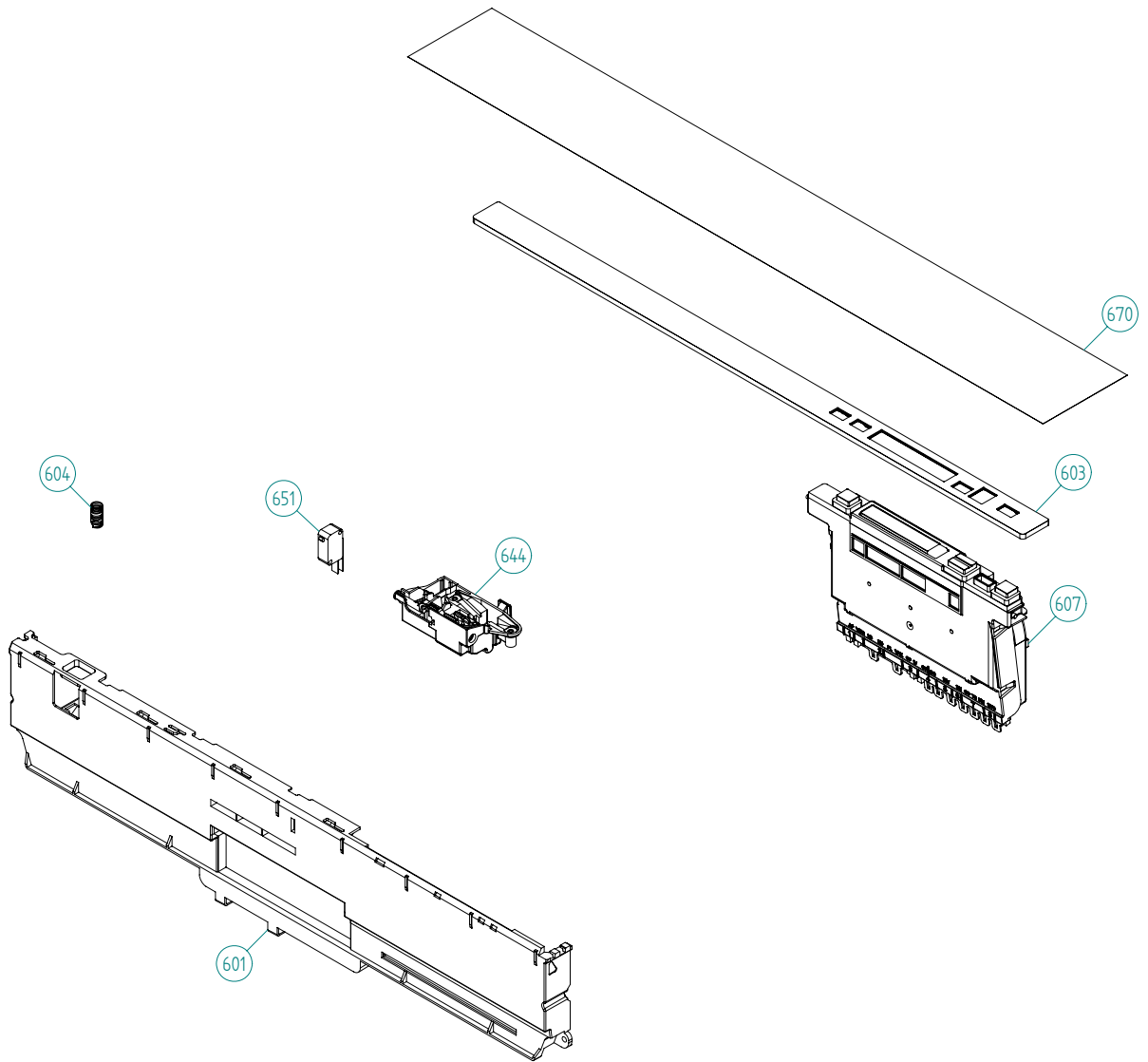
| Pos | Spare part No. | Description | Qty | Comment |
|------------|-----------------------|--------------------------------|------------|----------------|
| 402 | 8078032 | BOTTOM WELL 2 SENSOR UL4 | 1 Pc's | |
| 403 | 8078033 | Rinse Cap Bottom Well - Yellow | 1 Pc's | |
| 405 | 8073839 | Pressure Sensor | 1 Pc's | |
| 405-a | 8074040 | O-Ring | 1 Pc's | |
| 406 | 8074364 | Strainer DW20 | 1 Pc's | |
| 407 | 8073835 | Microswitch Float | 1 Pc's | |
| 409 | 8078038-77 | Pipe Filter DW70 | 1 Pc's | |
| 410 | 8078089 | Drain Pump 120V 60Hz | 1 Pc's | |
| 411 | 8079693 | Outlet Hose w/o Return Valve | 1 Pc's | |
| 414 | 8801248 | Check Valve Kit | 1 Pc's | |
| 414-a | 8052239 | Hose Clamp | 1 Pc's | |
| 414-b | 8053642 | Hose Clamp | 1 Pc's | |
| 415 | 8078025 | Float | 1 Pc's | |
| 416 | 8078039-77 | Strainer Basket Grey | 1 Pc's | |
| 417 | 8081321 | TURBIDSENSOR *ESD* UL4 | 1 Pc's | |
| 418 | 8072528-77 | Holder Outlet Hose | 1 Pc's | |
| 418-a | 8053642 | Hose Clamp | 1 Pc's | |
| 418-b | 8052239 | Hose Clamp | 1 Pc's | |
| 418-c | 33700450 | Cable Strip | 1 Pc's | |
| 418-d | 8902072 | Screw | 1 Pc's | |
| 419 | 8072848 | Lockring Bottom Well | 1 Pc's | |
| 420 | 8074760-77 | Ventilator | 1 Pc's | |
| 421 | 8075321 | End Cuff | 1 Pc's | |
| 422 | 8078096 | Thermistor | 1 Pc's | |



Inner door, panel and related parts

ASKO, D5893 US - SS (DW70.4)

| Pos | Spare part No. | Description | Qty | Comment |
|-------|----------------|------------------------------------|--------|---------|
| 501 | 8801380 | Door Inner w/Fan XXL DW70 | 1 Pc's | |
| 501-a | 8900646 | Screw 20 Torx SS | 6 Pc's | |
| 501-b | 8902121 | Screw | 4 Pc's | |
| 502 | 8073852 | Fan Compl 120V incl Sensor | 1 Pc's | |
| 502-a | 8058501 | ORing Turbo Fan Dry 05/06 DW | 1 Pc's | |
| 502-b | 8052778 | WAX MOTOR DW 05/06 | 1 Pc's | |
| 503 | 8080100 | HUMIDITY SENSOR ROHS *ESD* UL4 | 1 Pc's | |
| 504 | 8801343-77 | KIT Combi Dispenser 120V | 1 Pc's | |
| 504-a | 8071916 | SEAL,DET.COMPL.LID repl by 8071918 | 1 Pc's | |
| 504-b | 8071917 | CAP RINSE AGENT | 1 Pc's | |
| 504-c | 8071918 | Detergent Lid Complete | 1 Pc's | |
| 504-d | 8072288 | Sealing Strip Combi Disp. | 1 Pc's | |
| 504-f | 8902087 | Screw Plastic Housing 20 Torx | 6 Pc's | |
| 505 | 8078004 | Hinge Right DW70 | 1 Pc's | |
| 506 | 8078005 | Hinge Left DW70 | 1 Pc's | |
| 507 | 8057530 | Screw hinge 05 | 2 Pc's | |
| 507-a | 33500262 | Nut Term Block | 2 Pc's | |
| 508 | 8057948 | Slide washer hinge bearing 05 | 2 Pc's | |
| 509 | 8078040 | Air Channel DW70 | 1 Pc's | |
| 510 | 8060254 | Lower SealInner Door 05/06 DW | 1 Pc's | |
| 511 | 8078019-K-91 | Outer Door for Tbar Hndl | 1 Pc's | |
| 511-a | 8900646 | Screw 20 Torx SS | 6 Pc's | |
| 522 | 8057964 | Locking ring turbo fan 05 | 1 Pc's | |
| 522-a | 8902085 | Screw 20T for Plastic | 2 Pc's | |
| 523 | 8057983 | Brace | 1 Pc's | |
| 523-a | 8900646 | Screw 20 Torx SS | 2 Pc's | |
| 523-b | 8902357 | Screw | 2 Pc's | |
| 526 | 8058484 | SS Coverplate Turbo Fan DW | 1 Pc's | |
| 526-a | 8902085 | Screw 20T for Plastic | 2 Pc's | |
| 529 | 8074278 | Bracket for harness | 1 Pc's | |
| 531 | 8074258 | Sound Absorbtion Outer Door | 1 Pc's | |
| 533 | 8075988 | Crossbar handle 3000XL | 2 Pc's | |
| 534 | 8072435 | Handle for 05/06 DW | 1 Pc's | |
| 534-a | 8072439 | Bolt Tension Strap W600s | 2 Pc's | |
| 535 | 8075836 | End Plugs for Handle | 1 Pc's | |
| 535-a | 8901774 | ORing | 1 Pc's | |
| 542 | 8076966 | COVER, CABLES | 1 Pc's | |
| 551 | 8079584-33 | Air Channel Nozzle DW70 | 1 Pc's | |
| 552 | 8083021 | COVER COMBI DISPENSER | 1 Pc's | |



Control Panel & Related parts

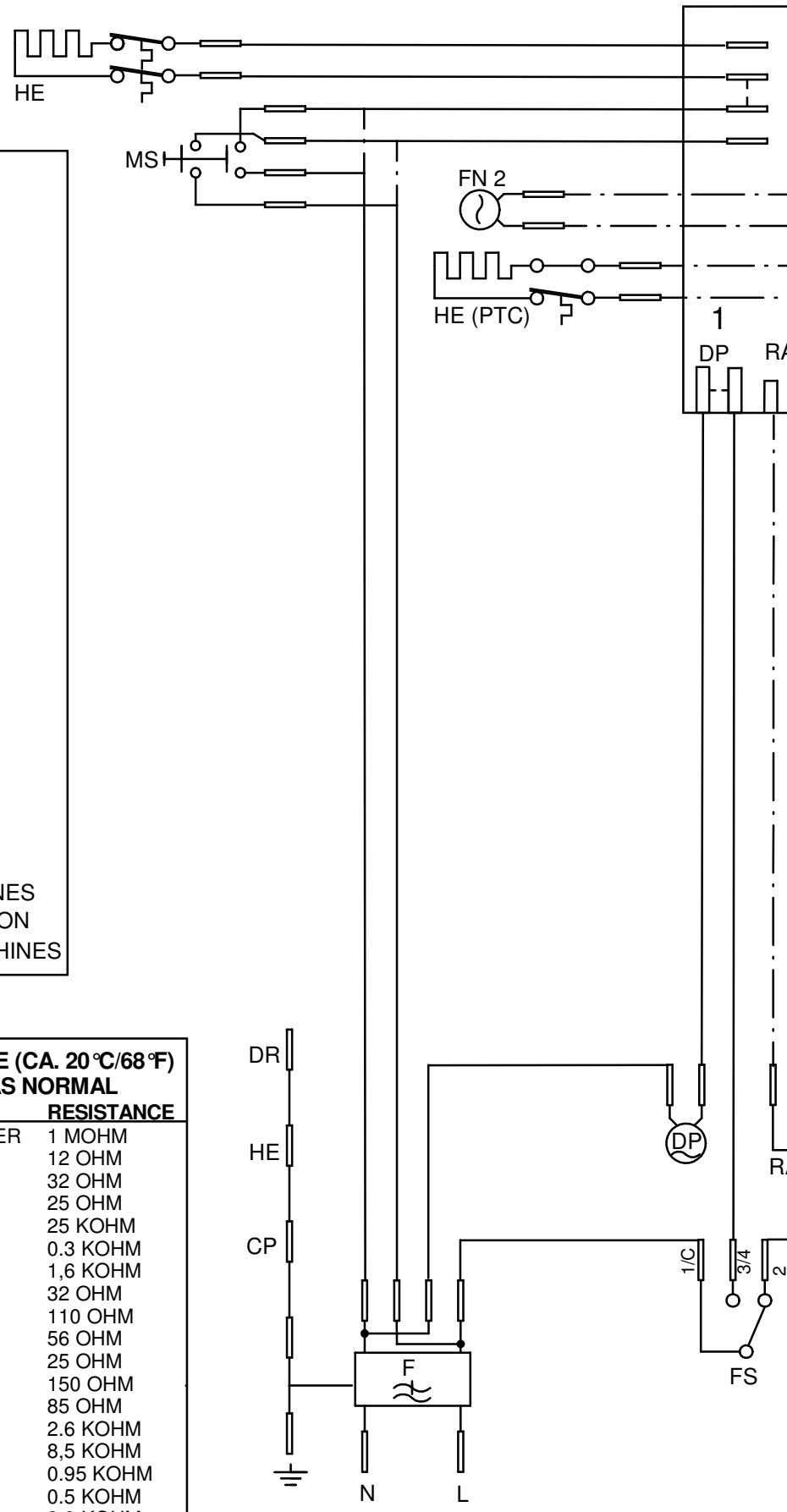
ASKO, D5893 US - SS (DW70.4)

| Pos | Spare part No. | Description | Qty | Comment |
|-----|----------------|--------------------------------|--------|---------|
| 601 | 8079543-UL | PANEL HIGH DOOR DW70 | 1 Pc's | |
| 603 | 8079697 | DECOR LENS ASKO D5893 | 1 Pc's | |
| 604 | 8074277 | SPRING MAIN SWITCH | 1 Pc's | |
| 607 | 8801368 | CONTROL.UNIT COMPL. DW70.4 USA | 1 Pc's | |
| 610 | 8079517 | CABLE SET THERMIST DW70.3.4.5 | 1 Pc's | |
| 611 | 8078071 | CABLESET DIVERTER VALVE | 1 Pc's | |
| 611 | 8075739 | cabl set humidity sensor | 1 Pc's | |
| 614 | 8078068 | CABLE SET CIRC.PUMP INL.VALVE | 1 Pc's | |
| 616 | 8078064 | CABLE SET FLOW PRESSURE TURB. | 1 Pc's | |
| 618 | 8079511 | CABLE SET FLOW SENSOR TOUCH | 1 Pc's | |
| 620 | 8075730 | cabl set fan | 1 Pc's | |
| 622 | 8078063 | CABLE SET DRAIN | 1 Pc's | |
| 644 | 8073670 | Lock Complete Integrated | 1 Pc's | |
| 651 | 8073836 | MICROSWITCH DOOR | 0 Pc's | |
| 670 | 8083509 | WORK TOP FOIL DW70.4 | 1 Pc's | |
| 690 | 8082544 | INSTRUCTIONS D5893 USA XXL ENG | 1 Pc's | |
| 690 | 8082545 | INSTRUCTIONS D5893 USA XXL FR | 1 Pc's | |

- CD: COMBI DISPENSER
 - CP: CIRCULATION PUMP
 - DIV: WATER DIVERTER VALVE
 - DP: DRAIN PUMP
 - DR: DOOR
 - DS: DOOR SWITCH
 - F: FILTER
 - FM: FLOW METER
 - FN 1: FAN DOOR
 - FN 2: FAN BOTTOM
 - FS: FLOAT SWITCH
 - HE: HEATING ELEMENT
 - HE (PTC): HEATING ELEMENT PTC
 - HL: HALOGEN LAMP
 - HS: HUMIDITY SENSOR
 - IS: ILLUM. SWITCH
 - IV: INLET VALVE
 - I2C: I2C
 - MS: MAIN SWITCH
 - MV: MIX VALVE
 - PS: PRESSURE SENSOR
 - RAS: RINSE AID SENSOR
 - SL: STATUS LIGHT
 - SS: SALT SENSOR
 - SV: SALT VALVE
 - TH: THERMISTOR
 - TS: TURBIDITY SENSOR
 - UART: UART
 - VAX: VAX ACTUATOR
- WIRES IN ALL MACHINES
 - - - INTERNAL CONNECTION
 — . — WIRES IN SOME MACHINES

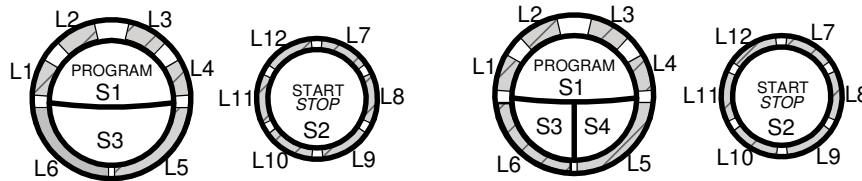
RESISTANCES AT ROOM TEMPERATURE (CA. 20 °C/68 °F)
VALUES WITH +/-10% ARE REGARDED AS NORMAL

| COMPONENT | RESISTANCE |
|---------------------------------------|------------|
| RADIO INTERFERENCE SUPPRESSION FILTER | 1 MOHM |
| HEATING ELEMENT 1200W 120V | 12 OHM |
| HEATING ELEMENT 1600W 230V | 32 OHM |
| HEATING ELEMENT 2040W 230V | 25 OHM |
| THERMISTOR | 25 KOHM |
| COMBINED DISPENSER 120V | 0.3 KOHM |
| COMBINED DISPENSER 230V | 1,6 KOHM |
| CIRCULATION PUMP 120V 60HZ | 32 OHM |
| CIRCULATION PUMP 230V 50HZ | 110 OHM |
| CIRCULATION PUMP 220V 60HZ | 56 OHM |
| DRAIN PUMP 120V 60HZ | 25 OHM |
| DRAIN PUMP 230V 50HZ | 150 OHM |
| DRAIN PUMP 230V 60HZ | 85 OHM |
| SPRAY ARM DIVIDER 120V 60HZ | 2.6 KOHM |
| SPRAY ARM DIVIDER 230V 50/60HZ | 8,5 KOHM |
| INLET VALVE SINGLE INCL. 120V | 0.95 KOHM |
| INLET VALVE SAFETY INCL. 120V | 0.5 KOHM |
| INLET VALVE SINGLE INCL. 230V | 3,9 KOHM |
| INLET VALVE SAFETY INCL. 230V | 2 KOHM |
| SALT VALVE 120V | 0,65 KOHM |
| MIX VALVE 120V | 0,65 KOHM |
| SALT VALVE 230V | 3 KOHM |
| MIX VALVE 230V | 2,3 KOHM |
| HALOGEN LAMP 5W 12V | <10 KOHM |
| WAX MOTOR | 1.1 KOHM |
| FAN MOTOR 120V | 0.18 KOHM |
| FAN MOTOR 230V | 0,85 KOHM |



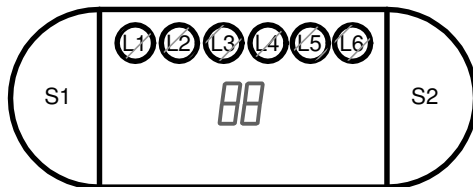
Displays

DW70.1



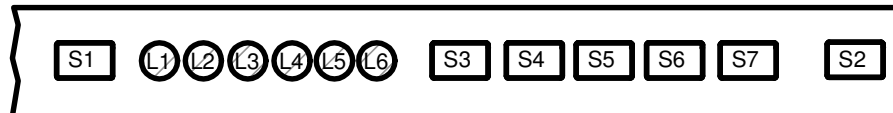
Panel type DW70.1, L = LED, S = Push-button

DW70.C



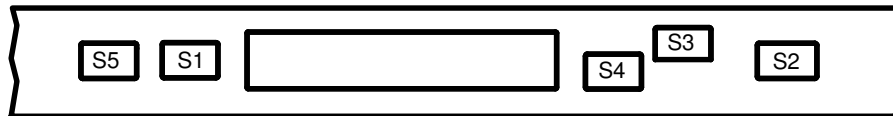
Panel type DW70.C, L = LED, S = Push-button

DW70.3



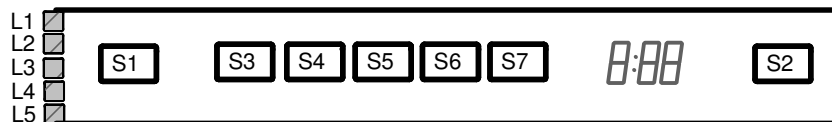
Panel type DW70.3, L = LED, S = Push-button

DW70.4



Panel type DW70.4, S = Touch areas

DW70.5



Panel type DW70.5, L = LED, S = Push-button

TOTAL RESET

TURN OFF MAIN SWITCH

WAIT FOR AT LEAST 5 SECS

HOLD PROGRAM BUTTON (S1), FOR DW70.4 HOLD PROGRAM BUTTON (S1)

AND NAVIGATION BUTTON (S4).

TURN ON MAIN SWITCH

RELEASE PROGRAM BUTTON (S1), FOR DW70.4 RELEASE PROGRAM BUTTON (S1)

AND NAVIGATION BUTTON (S4).

SERVICE MENU

TURN OFF MAIN SWITCH

WAIT FOR AT LEAST 5 SECS

HOLD PROGRAM AND START BUTTONS (S1 & S2)

TURN ON MAIN SWITCH

RELEASE PROGRAM AND START BUTTONS (S1 & S2)

VARIANT SETTING (NOT DW70.4)

HOLD PROGRAM AND START BUTTONS (S1 & S2)

TURN ON MAIN SWITCH

RELEASE PROGRAM AND START BUTTONS

PRESS START (S2) 3 TIMES WITHIN 5 SECS

SELECT VARIANT BY START BUTTON (S1) AND

CONFIRM BY START BUTTON (S2)