

This Owner's Manual is provided and hosted by [Appliance Factory Parts](#).



# COMFORT-AIRE PTTH09A-1 Owner's Manual

[Shop genuine replacement parts for COMFORT-AIRE  
PTTH09A-1](#)



[Find Your COMFORT-AIRE HVAC Parts - Select From 1487 Models](#)

----- Manual continues below part list -----

## Available Replacement Parts for COMFORT-AIRE PTTH09A-1

<a href="#">390000598</a>	TEMP SENSOR
<a href="#">42011103</a>	TERMINAL BOARD



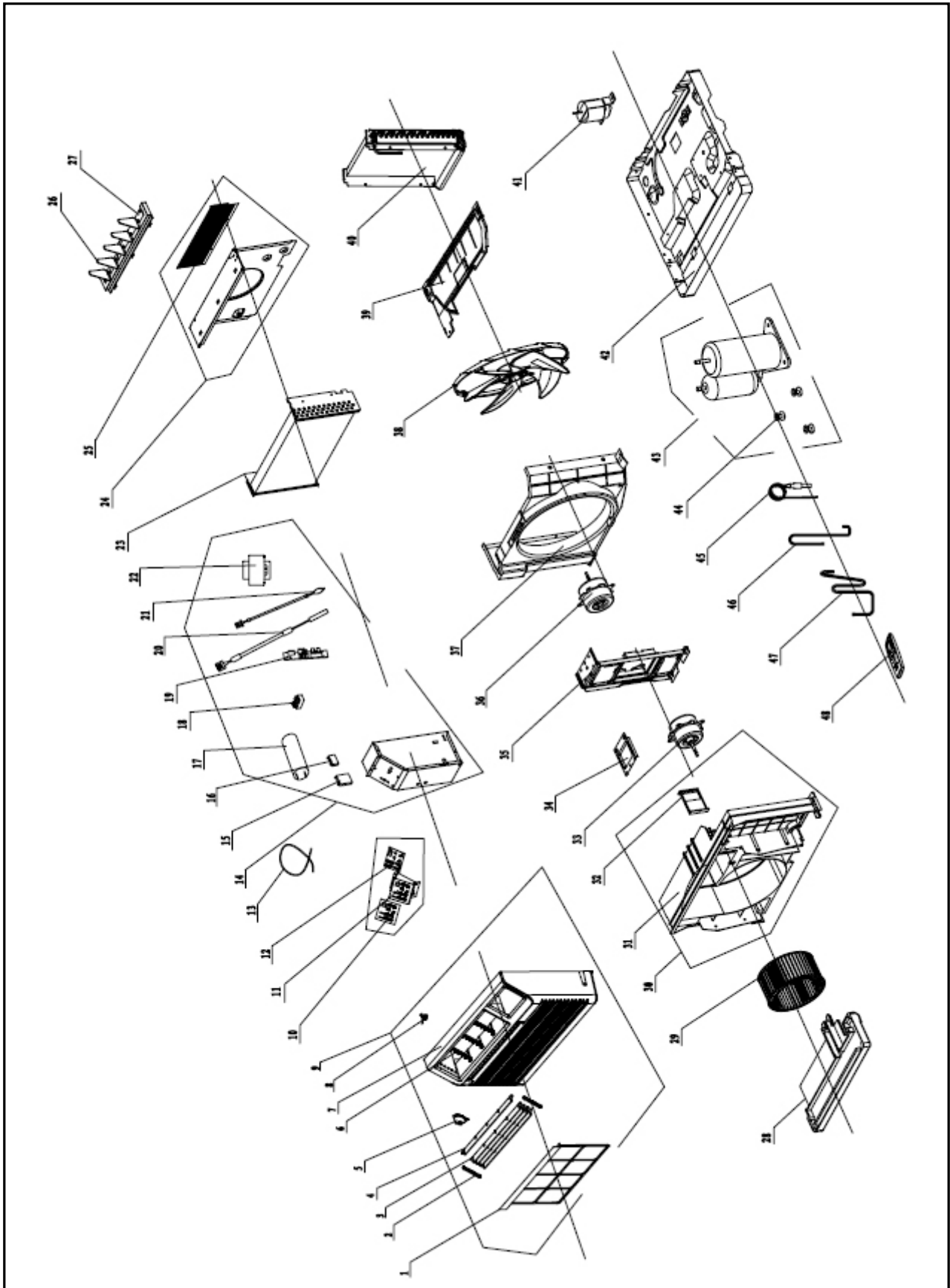
## **PARTS LIST**

### **Room Air Conditioner**

PTTC09A-1



# EXPLODED VIEW



## REPLACEMENT PARTS

Location	Part Name	Quantity	Part No.
1	Filter Subassembly	1	1112103002
3	Guide Louver 2	4	1051290901
4	Guide Louver 1	1	1051290801
5	Ratchet Wheel	1	24232901
6	Guide Louver Support	3	2421290601
8	Click Spring	1	73022901
9	Front Panel Assembly	1	800600001
10	Membrane	1	63061341
12	Display Board	1	30562084
13	Power Cord (LCDI)	1	4002036351
14	Electric Box Assembly	1	10000201732
15	Capacitor CBB61	1	3301074710
16	Capacitor CBB61S	1	3301074701
17	Capacitor CBB65	1	33000081
18	Terminal Board	1	42011103
19	Main Board	1	30132189
20	Ambient Temperature Sensor	1	3900019813
21	Temperature Sensor	1	390000598
22	Transformer	1	43110258
23	Evaporator Assembly	1	1100100159
24	Front Clapboard Assembly	1	1231098
25	Rear Grill	1	1451001
26	Air Louver	5	10512907
27	Swing Louver Clamp	1	24211045
28	Water Tray	1	12412901
29	Centrifugal Fan	1	10312903
30	Propeller housing Assembly	1	12311037
31	Propeller Housing	1	22201020
32	Baffle Plate	1	26112905
33	Fan Motor	1	150110335
34	Connection Board	1	01382902P
35	Motor Support Subassembly	1	1701028
36	Fan Motor	1	1501104710
37	Diversion Circle	1	10371005
38	Axial Flow Fan	1	10331012
39	Top Cover	1	20121106
40	Condenser Assembly	1	1100200247
41	Drainage Valve	1	7101001
42	Chassis Subassembly	1	01201065P
43	Compressor and Fittings	1	101372
44	Compressor Gasket (Mounting Feet)	3	76710302
45	Capillary Subassembly	1	3000600238
46	Discharge Tube	1	3500800441
47	Inhalation Tube (Suction)	1	3500600404
48	Remote Controller	1	30510092

---

Due to ongoing product improvements, specifications and dimensions are subject to change and correction without notice or incurring obligations. Determining the application and suitability for use of any product is the responsibility of the installer. Additionally, the installer is responsible for verifying dimensional data on the actual product prior to beginning any installation preparations.

Incentive and rebate programs have precise requirements as to product performance and certification. All products meet applicable regulations in effect on date of manufacture; however, certifications are not necessarily granted for the life of a product. Therefore, it is the responsibility of the applicant to determine whether a specific model qualifies for these incentive/rebate programs.

*Comfort-Cire*<sup>®</sup>

1900 Wellworth Ave., Jackson, MI 49203 • Ph. 517-787-2100 • [www.marsdelivers.com](http://www.marsdelivers.com)





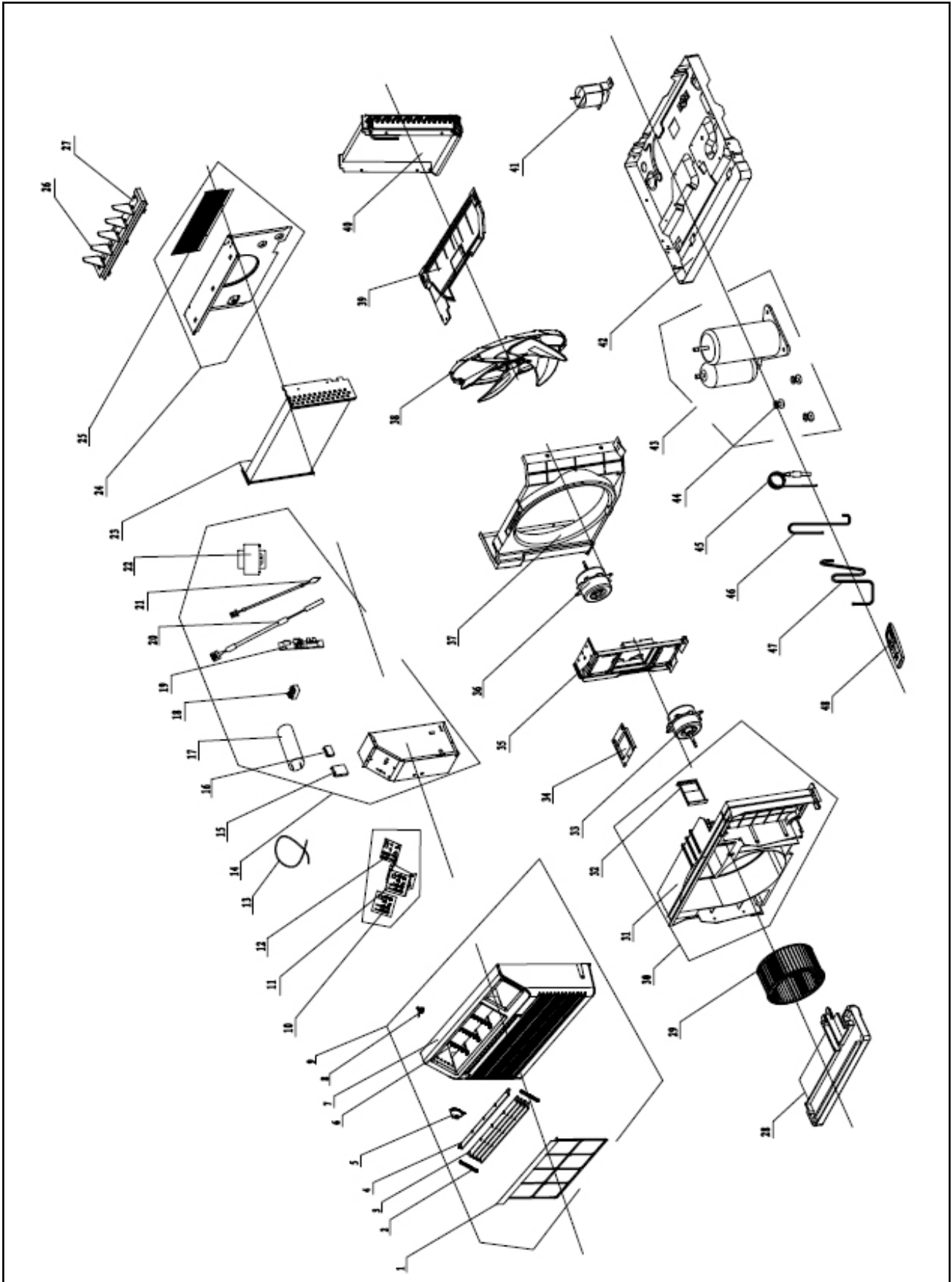
## **PARTS LIST**

### **Room Air Conditioner**

PTTC12A-1



# EXPLODED VIEW



## REPLACEMENT PARTS

Location	Part Name	Quantity	Part No.
1	Filter Subassembly	1	1112103002
3	Guide Louver 2	4	1051290901
4	Guide Louver 1	1	1051290801
5	Ratchet Wheel	1	24232901
6	Guide Louver Support	3	2421290601
8	Click Spring	1	73022901
9	Front Panel Assembly	1	800600001
10	Membrane	1	63061341
12	Display Board	1	30562084
13	Pwer cord (LCDI)	1	4002036351
14	Electric Box Assembly	1	10000201734
15	Capacitor CBB61	1	3301074710
16	Capacitor CBB61S	1	3301074701
17	Capacitor CBB65	1	3300008101
18	Terminal Board	1	42011103
19	Main Board	1	30132189
20	Ambient Temperature Sensor	1	3900019813
21	Temperature Sensor	1	390000598
22	Transformer	1	43110258
23	Evaporator Assembly	1	1100100159
24	Front Clapboard Assembly	1	1231098
25	Rear Grill	1	1451001
26	Air Louver	5	10512907
27	Swing Louver Clamp	1	24211045
28	Water Tray	1	12412901
29	Centrifugal Fan	1	10312903
30	Propeller Housing Assembly	1	12311037
31	Propeller Housing	1	22201020
32	Baffle Plate	1	26112905
33	Fan Motor	1	150110335
34	Connection Board	1	01382902P
35	Motor Support Subassembly	1	1701028
36	Fan Motor	1	1501104710
37	Diversion Circle	1	10371005
38	Axial Flow Fan	1	10331012
39	Top Cover	1	20121106
40	Condenser Assembly	1	1100200248
41	Drainage Valve	1	7101001
42	Chassis Subassembly	1	01201236P
43	Compressor and Fittings	1	103964
44	Compressor Gasket (Feet)	3	76710287
45	Capillary Subassembly	1	3000600217
46	Discharge Tube	1	3001300290
47	Inhalation Tube (Suction Tube)	1	3500600606
48	Remote Controller	1	30510092

---

Due to ongoing product improvements, specifications and dimensions are subject to change and correction without notice or incurring obligations. Determining the application and suitability for use of any product is the responsibility of the installer. Additionally, the installer is responsible for verifying dimensional data on the actual product prior to beginning any installation preparations.

Incentive and rebate programs have precise requirements as to product performance and certification. All products meet applicable regulations in effect on date of manufacture; however, certifications are not necessarily granted for the life of a product. Therefore, it is the responsibility of the applicant to determine whether a specific model qualifies for these incentive/rebate programs.

*Comfort-Aire*<sup>®</sup>

1900 Wellworth Ave., Jackson, MI 49203 • Ph. 517-787-2100 • [www.marsdelivers.com](http://www.marsdelivers.com)





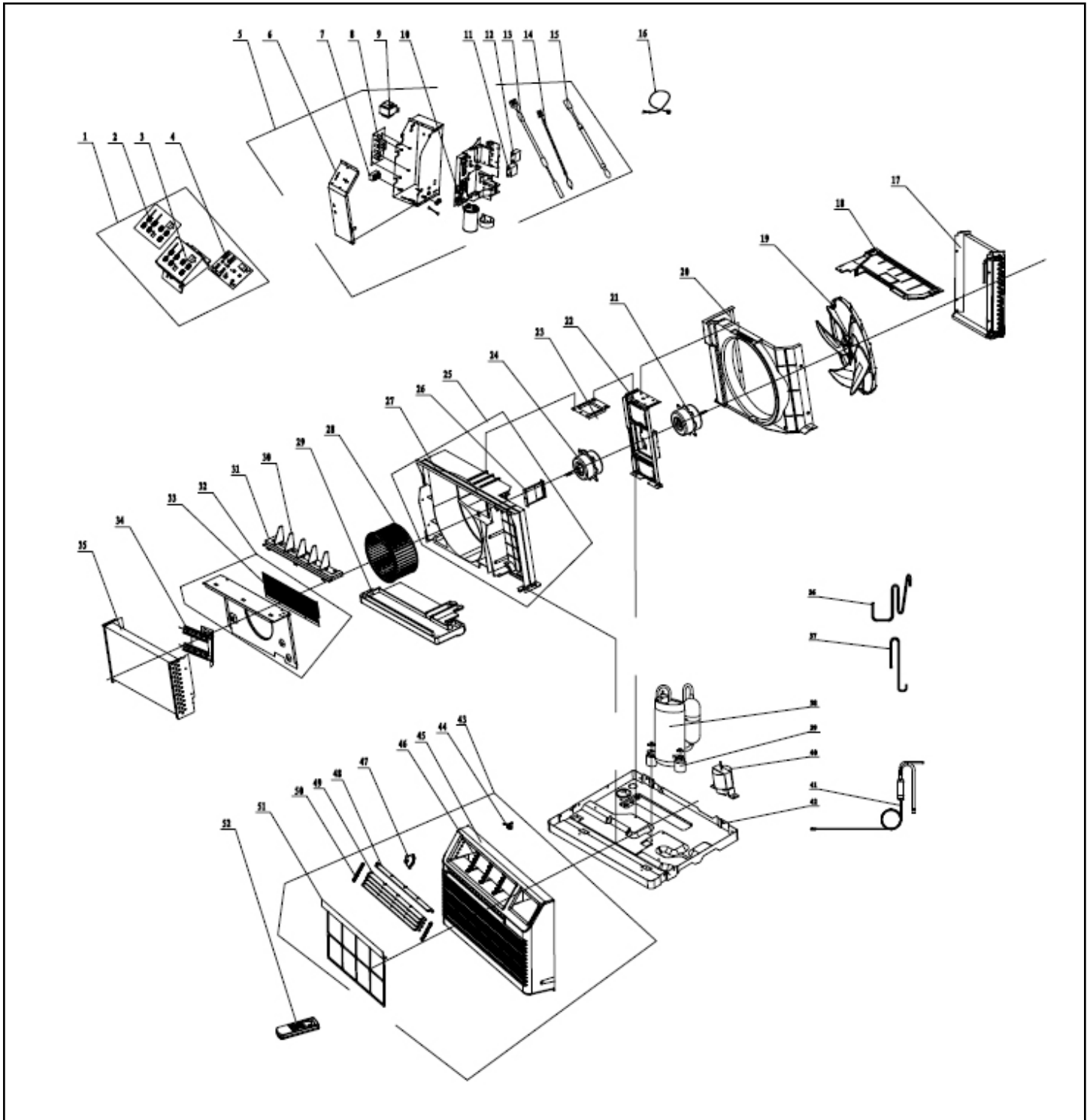
## **PARTS LIST**

### **Room Air Conditioner**

PTTE09A-1



# EXPLODED VIEW



## REPLACEMENT PARTS

Location	Part Name	Quantity	Part No.
1	LCD Cover Subassembly	1	18900002
2	Membrane	1	63061342
4	Display Board	1	30562086
5	Electric Box Assembly	1	10000201733
6	Electric Box Cover	1	1411405
7	Terminal Board	2	42011103
8	Main Board	1	30132188
9	Transformer	1	43110258
10	Capacitor CBB65	1	33000081
11	Capacitor CBB61	1	3301074710
12	Capacitor CBB61S	1	3301074701
13	Room Sensor	1	39000191
14	Ambient Temperature Sensor	1	3900019813
15	Temperature Sensor	1	390000598
16	Pwer cord (LCDI)	1	4002036353
17	Condenser Assembly	1	1100200247
18	Top Cover	1	20121106
19	Axial Flow Fan	1	10331012
20	Diversion Circle	1	10371005
21	Fan Motor	1	1501104710
22	Motor Support Subassembly	1	1701028
23	Connection Board	1	01382902P
24	Fan Motor	1	150110335
25	Propeller housing Assembly	1	12311037
26	Baffle Plate	1	26112905
27	Propeller Housing	1	22201020
28	Centrifugal Fan	1	10312903
29	Water Tray	1	12412901
30	Air Louver	5	10512907
31	Swing Louver Clamp	1	24211045
32	Front Clapboard Assembly	1	1231100
33	Rear Grill	1	1451001
34	Electric Heat Groupware	1	32001011
35	Evaporator Assembly	1	1100100159
36	Inhalation Tube (Suction)	1	3500600404
37	Discharge Tube	1	3500800441
38	Compressor and Fittings	1	101372
39	Compressor Gasket (Mounting Feet)	3	76710302
40	Drainage Valve	1	7101001
41	Capillary Subassembly	1	3000600238
42	Chassis Subassembly	1	01201065P
43	Front Panel Assembly	1	800600001
44	Click Spring	1	73022901
46	Guide Louver Support	3	2421290601
47	Ratchet Wheel	1	24232901
48	Guide Louver 1	1	1051290801
49	Guide Louver 2	4	1051290901
51	Filter Subassembly	1	1112103002
52	Remote Controller	1	30510092

---

Due to ongoing product improvements, specifications and dimensions are subject to change and correction without notice or incurring obligations. Determining the application and suitability for use of any product is the responsibility of the installer. Additionally, the installer is responsible for verifying dimensional data on the actual product prior to beginning any installation preparations.

Incentive and rebate programs have precise requirements as to product performance and certification. All products meet applicable regulations in effect on date of manufacture; however, certifications are not necessarily granted for the life of a product. Therefore, it is the responsibility of the applicant to determine whether a specific model qualifies for these incentive/rebate programs.

*Comfort-Care*<sup>®</sup>

1900 Wellworth Ave., Jackson, MI 49203 • Ph. 517-787-2100 • [www.marsdelivers.com](http://www.marsdelivers.com)



---

*Comfort-Aire*®

---

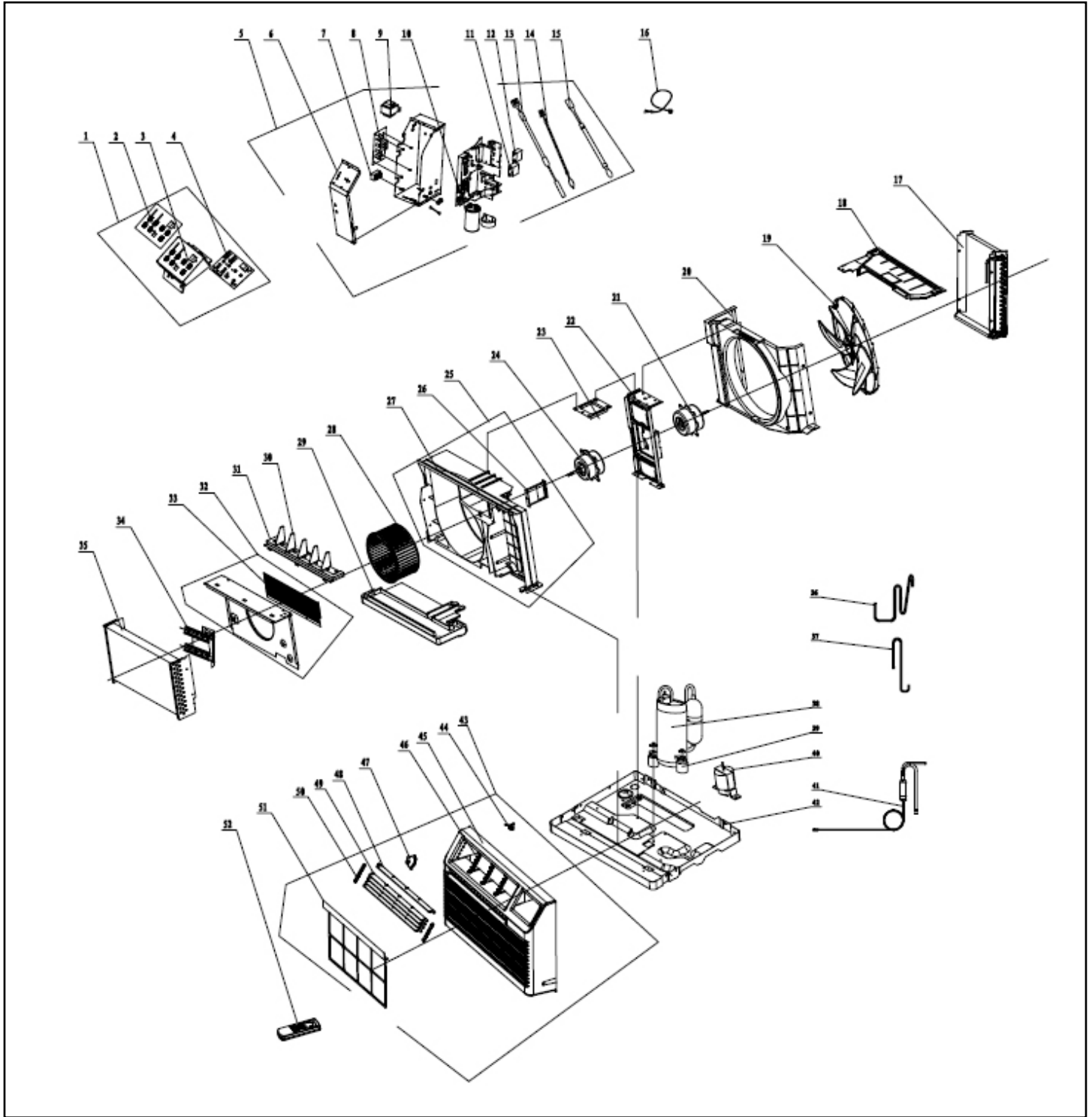
**PARTS LIST**

**Room Air Conditioner**

PTTE12A-1



**EXPLODED VIEW**



## REPLACEMENT PARTS

Location	Part Name	Quantity	Part No.
1	LCD Cover Subassembly	1	18900002
2	Membrane	1	63061342
4	Display Board	1	30562086
5	Electric Box Assembly	1	10000201735
6	Electric Box Cover	1	1411405
7	Terminal Board	2	42011103
8	Main Board	1	30132188
9	Transformer	1	43110258
10	Capacitor CBB65	1	3300008101
11	Capacitor CBB61	1	3301074710
12	Capacitor CBB61S	1	3301074701
13	Room Sensor	1	39000191
14	Ambient Temperature Sensor	1	3900019813
15	Temperature Sensor	1	390000598
16	Pwer cord (LCDI)	1	4002036353
17	Condenser Assembly	1	1100200248
18	Top Cover	1	20121106
19	Axial Flow Fan	1	10331012
20	Diversion Circle	1	10371005
21	Fan Motor	1	1501104710
22	Motor Support Subassembly	1	1701028
23	Connection Board	1	01382902P
24	Fan Motor	1	150110335
25	Propeller Housing Assembly	1	12311037
26	Baffle Plate	1	26112905
27	Propeller Housing	1	22201020
28	Centrifugal Fan	1	10312903
29	Water Tray	1	12412901
30	Air Louver	5	10512907
31	Swing Louver Clamp	1	24211045
32	Front Clapboard Assembly	1	1231100
33	Rear Grill	1	1451001
34	Electric Heat Groupware	1	32001011
35	Evaporator Assy	1	1100100159
36	Inhalation Tube (Suction)	1	3500600606
37	Discharge Tube	1	3001300290
38	Compressor and Fittings	1	103964
39	Compressor Gasket (Mounting Feet)	3	76710287
40	Drainage Valve	1	7101001
41	Capillary Subassembly	1	3000600217
42	Chassis Subassembly	1	01201236P
43	Front Panel Assembly	1	800600001
44	Click Spring	1	73022901
46	Guide Louver Support	3	2421290601
47	Ratchet Wheel	1	24232901
48	Guide Louver 1	1	1051290801
49	Guide Louver 2	4	1051290901
51	Filter Subassembly	1	1112103002
52	Remote Controller	1	30510092

---

Due to ongoing product improvements, specifications and dimensions are subject to change and correction without notice or incurring obligations. Determining the application and suitability for use of any product is the responsibility of the installer. Additionally, the installer is responsible for verifying dimensional data on the actual product prior to beginning any installation preparations.

Incentive and rebate programs have precise requirements as to product performance and certification. All products meet applicable regulations in effect on date of manufacture; however, certifications are not necessarily granted for the life of a product. Therefore, it is the responsibility of the applicant to determine whether a specific model qualifies for these incentive/rebate programs.

*Comfort-Aire*<sup>®</sup>

1900 Wellworth Ave., Jackson, MI 49203 • Ph. 517-787-2100 • [www.marsdelivers.com](http://www.marsdelivers.com)





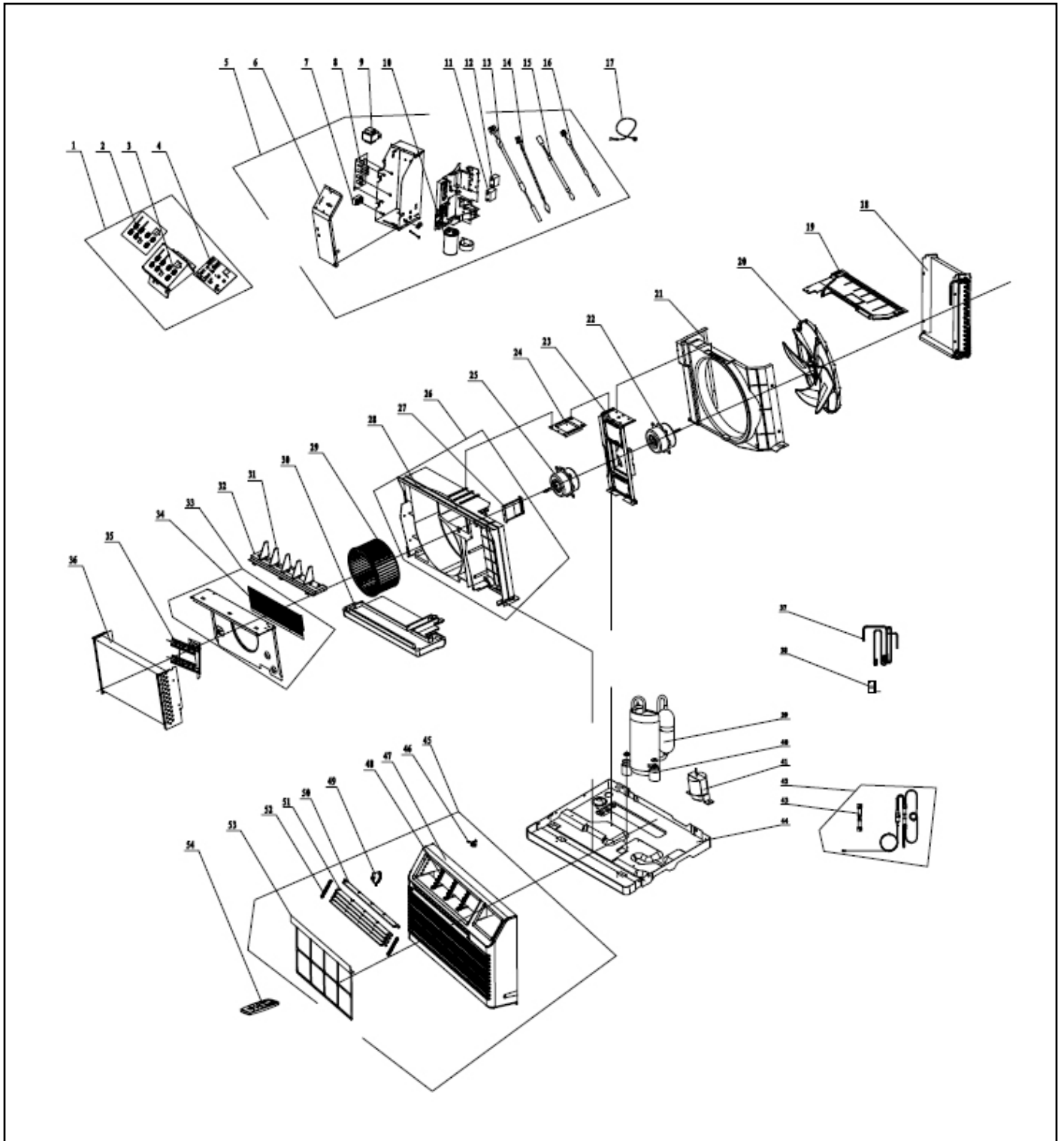
## **PARTS LIST**

### **Room Air Conditioner**

PTTH09A-1



# EXPLODED VIEW



## REPLACEMENT PARTS

Location	Part Name	Quantity	Part No.
1	LCD Cover Subassembly	1	18900003
2	Membrane	1	63061342
4	Display Board	1	30562085
5	Electric Box Assembly	1	10000201736
6	Electric Box Cover	1	1411405
7	Terminal Board	2	42011103
8	Main Board	1	30132187
9	Transformer	1	43110258
10	Capacitor CBB65	1	33000081
11	Capacitor CBB61	1	3301074710
12	Capacitor CBB61S	1	3301074701
13	Temperature Sensor	1	390000372
14	Ambient Temperature Sensor	1	3900019813
15	Temperature Sensor	1	390000598
16	Room Sensor	1	39000191
17	Pwer cord (LCDI)	1	4002036353
18	Condenser Assembly	1	1100200249
19	Cover Plate	1	20121085
20	Axial Flow Fan	1	10331012
21	Diversion Circle	1	10371005
22	Fan Motor	1	1501104710
23	Motor Support Subassembly	1	1701028
24	Connection Board	1	01382902P
25	Fan Motor	1	150110335
26	Propeller Housing Assembly	1	12311037
27	Baffle Plate	1	26112905
28	Propeller Housing	1	22201020
29	Centrifugal Fan	1	10312903
30	Water Tray	1	12412901
31	Air Louver	5	10512907
32	Swing Louver Clamp	1	24211045
33	Front Clapboard Assembly	1	1231100
34	Rear Grill	1	1451001
35	Electric Heat Groupware	1	32001011
36	Evaporator Assembly	1	1100100159
37	4-Way Valve Assembly	1	3021029
38	Magnet Coil	1	4300040022
39	Compressor and Fittings	1	101279
40	Compressor Gasket (Feet)	3	76710287
41	Drainage Valve	1	7101001
42	Capillary Subassembly	1	3000600243
43	One Way Valve	1	7131147
44	Chassis Subassembly	1	01201066P
45	Front Panel Assembly	1	800600001
46	Click Spring	1	73022901
48	Guide Louver Support	3	2421290601
49	Ratchet Wheel	1	24232901
50	Guide Louver 1	1	1051290801
51	Guide Louver 2	4	1051290901
53	Filter Subassembly	1	1112103002
54	Remote Controller	1	30510092

---

Due to ongoing product improvements, specifications and dimensions are subject to change and correction without notice or incurring obligations. Determining the application and suitability for use of any product is the responsibility of the installer. Additionally, the installer is responsible for verifying dimensional data on the actual product prior to beginning any installation preparations.

Incentive and rebate programs have precise requirements as to product performance and certification. All products meet applicable regulations in effect on date of manufacture; however, certifications are not necessarily granted for the life of a product. Therefore, it is the responsibility of the applicant to determine whether a specific model qualifies for these incentive/rebate programs.

*Comfort-Care*<sup>®</sup>

1900 Wellworth Ave., Jackson, MI 49203 • Ph. 517-787-2100 • [www.marsdelivers.com](http://www.marsdelivers.com)



---

*Comfort-Aire*®

---

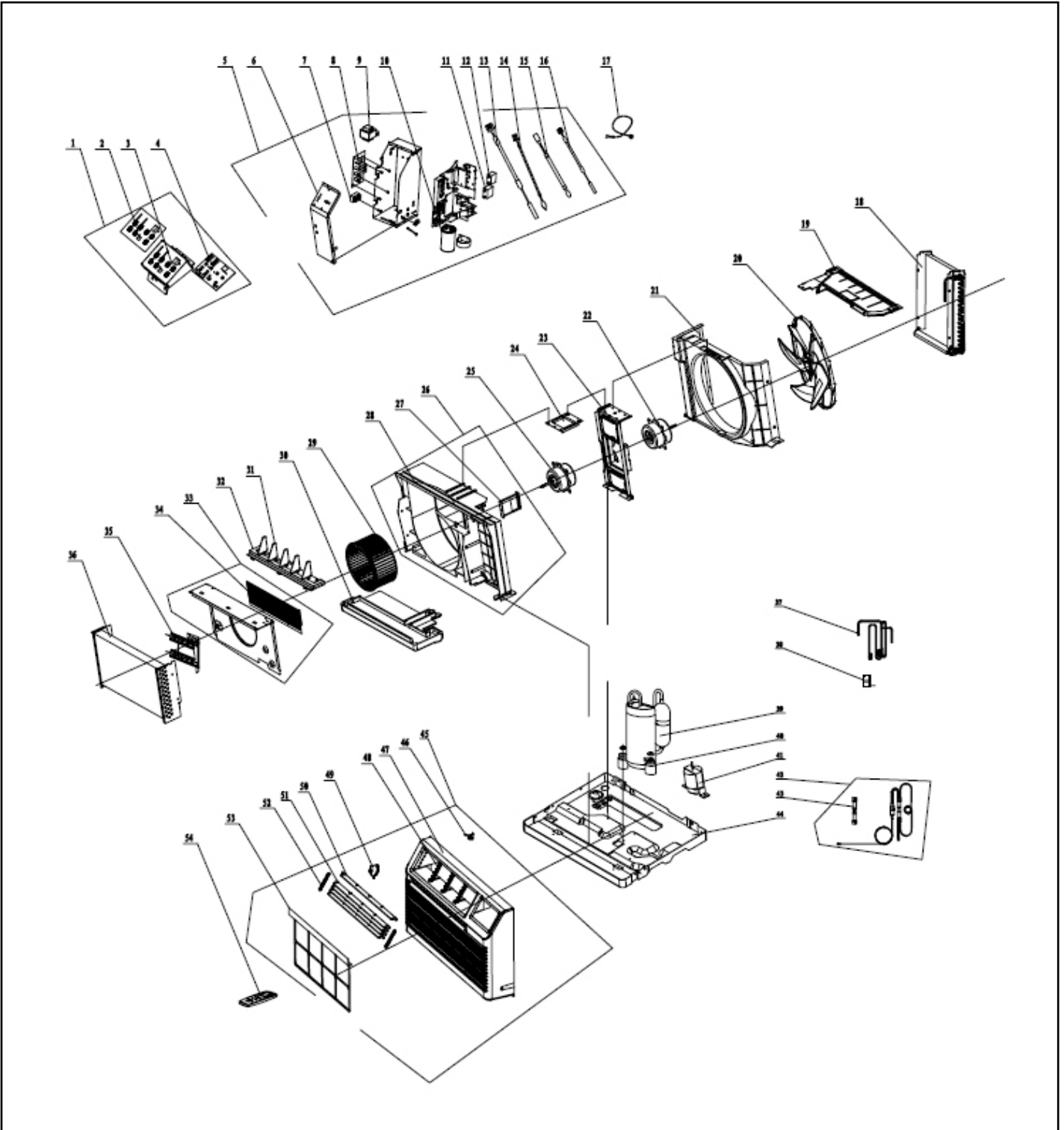
**PARTS LIST**

**Room Air Conditioner**

PTTH12A-1



# EXPLODED VIEW



Location	Part Name	Quantity	Part No.
1	LCD Cover Subassembly	1	18900003
2	Membrane	1	63061342
4	Display Board	1	30562085
5	Electric Box Assembly	1	10000201737
6	Electric Box Cover	1	1411405
7	Terminal Board	2	42011103
8	Main Board	1	30132187
9	Transformer	1	43110258
10	Capacitor CBB65	1	3300008101
11	Capacitor CBB61	1	3301074710
12	Capacitor CBB61S	1	3301074701
13	Temperature Sensor	1	390000372
14	Ambient Temperature Sensor	1	3900019813
15	Temperature Sensor	1	390000598
16	Room Sensor	1	39000191
17	Pwer Cord (LCDI)	1	4002036353
18	Condenser Assembly	1	1100200251
19	Cover Plate	1	20121085
20	Axial Flow Fan	1	10331012
21	Diversion Circle	1	10371005
22	Fan Motor	1	1501104710
23	Motor Support Subassembly	1	1701028
24	Connection Board	1	01382902P
25	Fan Motor	1	150110335
26	Propeller Housing Assembly	1	12311037
27	Baffle Plate	1	26112905
28	Propeller Housing	1	22201020
29	Centrifugal Fan	1	10312903
30	Water Tray	1	12412901
31	Air Louver	5	10512907
32	Swing Louver Clamp	1	24211045
33	Front Clapboard Assembly	1	1231100
34	Rear Grill	1	1451001
35	Electric Heat Groupware	1	32001011
36	Evaporator Assembly	1	1100100159
37	4-Way Valve Assembly	1	3021031
38	Magnet Coil	1	4300040022
39	Compressor and Fittings	1	101385
41	Drainage Valve	1	7101001
42	Capillary Subassembly	1	3000600247
43	One Way Valve	1	7131147
44	Chassis Subassembly	1	01700000056P
45	Front Panel Assembly	1	800600001
46	Click Spring	1	73022901
48	Guide Louver Support	3	2421290601
49	Ratchet Wheel	1	24232901
50	Guide Louver 1	1	1051290801
51	Guide Louver 2	4	1051290901
53	Filter Subassembly	1	1112103002
54	Remote Controller	1	30510092

---

Due to ongoing product improvements, specifications and dimensions are subject to change and correction without notice or incurring obligations. Determining the application and suitability for use of any product is the responsibility of the installer. Additionally, the installer is responsible for verifying dimensional data on the actual product prior to beginning any installation preparations.

Incentive and rebate programs have precise requirements as to product performance and certification. All products meet applicable regulations in effect on date of manufacture; however, certifications are not necessarily granted for the life of a product. Therefore, it is the responsibility of the applicant to determine whether a specific model qualifies for these incentive/rebate programs.

*Comfort-Aire*<sup>®</sup>

1900 Wellworth Ave., Jackson, MI 49203 • Ph. 517-787-2100 • [www.marsdelivers.com](http://www.marsdelivers.com)

