

This Owner's Manual is provided and hosted by [Appliance Factory Parts](#).



# Black & Decker HLVA325J Owner's Manual

[Shop genuine replacement parts for Black & Decker  
HLVA325J](#)



[Find Your Black & Decker Vacuum Cleaner Parts - Select From 339 Models](#)

----- Manual continues below -----

# **BLACK+** **DECKER**<sup>TM</sup>

**INSTRUCTION MANUAL**  
**MODE D'EMPLOI**  
**MANUAL DE INSTRUCCIONES**

**CORDLESS HAND VACS**  
**ASPIRATEURS**  
**ASPIRADORA DE MANO**

**HLVA315J**  
**HLVA320J**  
**HLVA320JS**  
**HLVA325J**

**Please read before returning this product for any reason.**  
**à LIRE avant de retourner ce produit pour quelque raison que**  
**ce soit.**

**LEA EL MANUAL antes de devolver este producto por**  
**cualquier motivo.**

---

English ( <i>original instructions</i> )	1
Français ( <i>traduction de la notice d'instructions originale</i> )	10
Español ( <i>traducido de las instrucciones originales</i> )	20

---

**Thank you for choosing BLACK+DECKER!**

**If you have a question or experience a problem with your BLACK+DECKER purchase, go to: <http://www.blackanddecker.com/instantanswers>**

**If you can't find the answer or do not have access to the Internet, call 1-800-544-6986 from 8 a.m. to 5 p.m. EST Mon. – Fri. to speak with an agent. Please have the CATALOG NUMBER available when you call.**

**To register your new product, visit [www.BlackandDecker.com/NewOwner](http://www.BlackandDecker.com/NewOwner)**

**Consulter le site Web [www.BlackandDecker.com/NewOwner](http://www.BlackandDecker.com/NewOwner) pour enregistrer votre nouveau produit.**

**Visite [www.BlackandDecker.com/NewOwner](http://www.BlackandDecker.com/NewOwner) para registrar su nuevo producto.**

## DEFINITIONS: SAFETY ALERT SYMBOLS AND WORDS

This instruction manual uses the following safety alert symbols and words to alert you to hazardous situations and your risk of personal injury or property damage.

**!** **DANGER:** Indicates an imminently hazardous situation which, if not avoided, will result in death or serious injury.

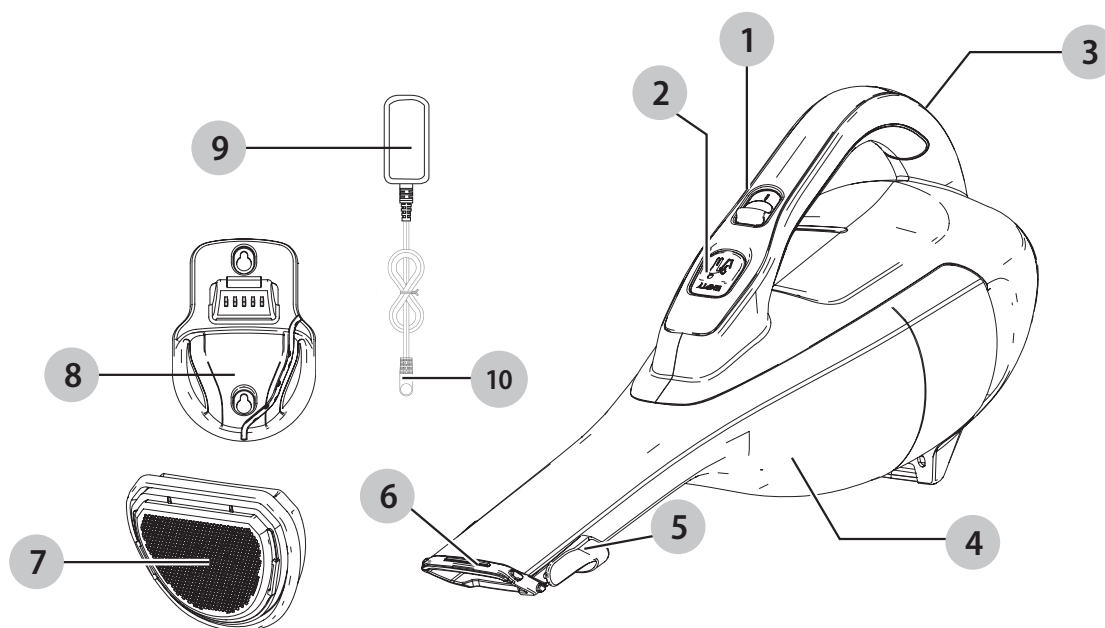
**!** **WARNING:** Indicates a potentially hazardous situation which, if not avoided, could result in death or serious injury.

**!** **CAUTION:** Indicates a potentially hazardous situation which, if not avoided, may result in minor or moderate injury.

**!** (Used without word) Indicates a safety related message.

**!** **NOTICE:** Indicates a practice not related to personal injury which, if not avoided, may result in property damage.

Fig. A



- |                            |                      |
|----------------------------|----------------------|
| 1 On/off switch            | 7 Filter             |
| 2 Dust bowl release button | 8 Wall mount bracket |
| 3 Charging socket          | 9 Charger            |
| 4 Dust bowl                | 10 Jack plug         |
| 5 Flip-up Brush            |                      |
| 6 Extendable crevice tool  |                      |

**!** **WARNING!** Read all safety warnings and all instructions. Failure to follow the warnings and instructions may result in electric shock, fire and/or serious injury.

**!** **WARNING:** To reduce the risk of injury, read the instruction manual.

# IMPORTANT SAFETY INSTRUCTIONS

When using an electrical appliances, basic precautions should always be followed, including the following:

## READ ALL INSTRUCTIONS BEFORE USING THIS APPLIANCE.

**⚠ WARNING:** Read all safety warnings and all instructions. Failure to follow the warnings and instructions listed below may result in electric shock, fire and/or serious injury.

**⚠ WARNING:** Some household dust contains chemicals known to the State of California to cause cancer, birth defects or other reproductive harm such as asbestos and lead in lead based paint.

**⚠ WARNING:** To reduce the risk of fire, electrical shock or injury:

- Shock Hazard. To protect against risk of electrical shock, do not put charging base in water or other liquid.
- Do not allow to be used as a toy. Close attention is necessary when used by or near children.
- Use only as described in this manual. Use only manufacturer's recommended attachments.
- Do not use with damaged cord or plug. If appliance is not working as it should, has been dropped, damaged, left outdoors, or dropped into water, return it to a service center.
- Do not pull or carry by cord, use cord as a handle, close a door on cord, or pull cord around sharp edges or corners. Do not run appliance over cord. Keep cord away from heated surfaces.
- Do not unplug by pulling on cord. To unplug, grasp the plug, not the cord.
- Do not handle charger, including charger plug, and charger terminals with wet hands.
- Do not put any object into openings. Do not use with any opening blocked; keep free of dust, lint, hair, and anything that may reduce air flow.
- Keep hair, loose clothing, fingers, and all parts of body away from openings and moving parts.
- Use extra care when cleaning on stairs.
- Do not use to pick up flammable or combustible liquids, such as gasoline, or use in areas where they may be present.
- Do not pick up anything that is burning or smoking, such as cigarettes, matches, or hot ashes.
- Do not use without dust bag and/or filters in place.
- Do not charge the unit outdoors.
- Use only the charger supplied by the manufacturer to recharge.

- Do not incinerate the appliance even if it is severely damaged. The batteries can explode in a fire.
- This appliance is intended for household use only and not for commercial or industrial use.
- Shock Hazard. To protect against risk of electrical shock, do not put unit or charging base in water or other liquid.
- Do not allow the cord to hang over the edge of a table or counter or touch hot surfaces. The unit should be placed or mounted away from sinks and hot surfaces.
- Plug the charger directly into an electrical outlet.
- Use the charger only in a standard electrical outlet (120V/60Hz).
- Unplug the charger from outlet before any routine cleaning or maintenance.
- Do not look into the air vents when the unit is switched on, as sometimes there is a possibility of small debris being discharged from the air vents, especially after cleaning / replacement of the filters as debris inside the unit can be disturbed.
- Leaks from battery cells can occur under extreme conditions. If the liquid, which is a 20-35% solution of potassium hydroxide, gets on the skin (1) wash quickly with soap and water or (2) neutralize with a mild acid such as lemon juice or vinegar. If the liquid gets into the eyes, flush them immediately with clean water for a minimum of 10 minutes. Seek medical attention.

## ADDITIONAL SAFETY WARNINGS

- a) **Prevent unintentional starting. Ensure the switch is in the off-position before picking up or carrying the appliance.** Carrying the appliance with your finger on the switch or energizing appliance that have the switch on invites accidents.
- b) **Recharge only with the charger specified by the manufacturer.** A charger that is suitable for one type of battery pack may create a risk of fire when used with another battery pack.
- c) **Do not use a battery pack or appliance that is damaged or modified.** Damaged or modified batteries may exhibit unpredictable behavior resulting in fire, explosion or risk of injury.
- d) **Do not expose a battery pack or appliance to fire or excessive temperature.** Exposure to fire or temperature above 266°F (130°C) may cause explosion.
- e) **Have servicing performed by a qualified repair person using only identical replacement parts.** This will ensure that the safety of the product is maintained.

Only for use with S003AQU1500015, SSC-150015US chargers.

# SAVE THESE INSTRUCTIONS

## SYMBOLS

The label on your tool may include the following symbols. The symbols and their definitions are as follows:

V ..... volts  
A ..... amperes

- Hz.....hertz
- W.....watts
- min.....minutes
- ~ or AC.....alternating current
- == or DC...direct current
- n<sub>0</sub>.....no load speed
- ⓘ.....Class I Construction (grounded)
- ⊖.....earthing terminal
- ⚠.....safety alert symbol
- Ⓚ.....Class II Construction (double insulated)
- .../min or rpm...revolutions or reciprocation per minute
- Wh.....Watt Hours

**ASSEMBLY**

**⚠ WARNING:** Do not attempt to modify or repair the appliance

**Wall Mounting**

- The product can be wall mounted, if desired, using the wall mount bracket, screws and anchors supplied. To wall mount the vac, refer to **Figures B, C, D and E**.
- **Figure B** - Mark the location of the screw holes (within reach of an electrical outlet for charging the vac while it is on the wall bracket).
- **Figure C** - Insert the charger cord into the curved slot in the wall mount bracket **8** leaving approximately 8-9 inches (203mm - 227mm) excess as shown.

Fig. B

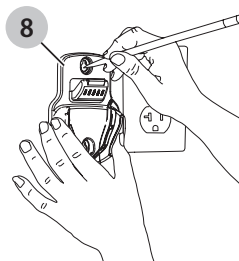
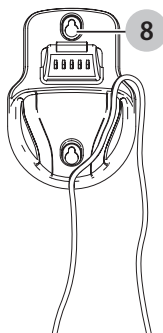
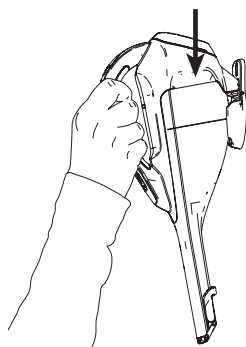


Fig. C



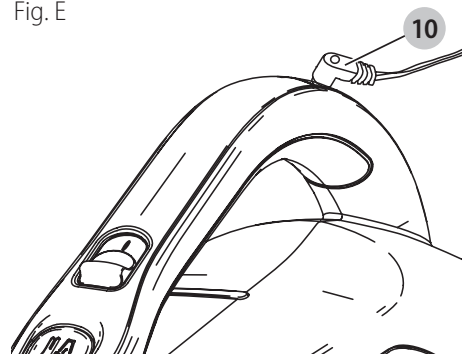
- **Figure D** - Hang the vac on the wall by placing the opening on the base of the vac over the hooks in the wall mount bracket as shown in **Figure C**.

Fig. D



- **Figure E** - Insert the jack plug **10** into the charging socket.

Fig. E



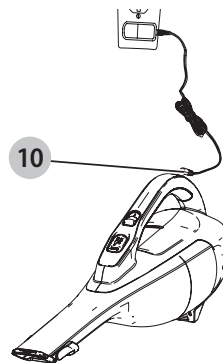
**Charging the battery**

**⚠ WARNING:** For use only with the supplied charger.

From new, the rechargeable cells of the product need a minimum charge time of 16 hours to ensure full power.

- The switch must be in the off ("O") position, the product will not charge if it is in any other position.
- **Figure F** - Plug the jack plug **10** of the charger into the charging socket **3** of the tool. Plug the charger into any standard 120 Volt 60 Hz electrical outlet.

Fig. F



- While charging, the charger may get warm, this is perfectly normal and safe. It is safe to leave the appliance connected to the charger indefinitely. The charger automatically reduces power consumption when charging is complete.

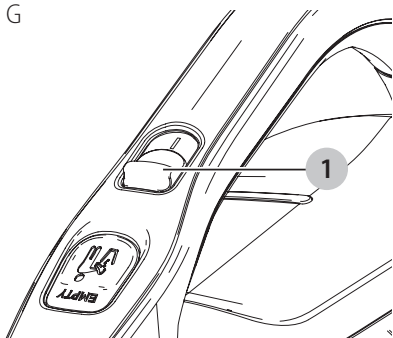
**⚠ WARNING:** Do not charge the battery at ambient temperatures below 39°F (4°C) or above 104°F (40°C).

**USE**

**Switching on and off (Fig. G)**

- **Figure F** - To start, slide the On/Off switch **1** forward (i.e. "O" = Off, "I" = On).
- To stop, slide the switch back.
- Return the product to the charger immediately after use so that it will be ready and fully charged for the next use. Ensure that the product is fully engaged with the charger plug.

Fig. G



## Cleaning and emptying the product

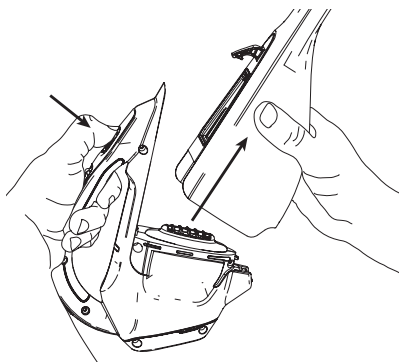
**! WARNING:** *Projectile/Respiratory Hazard: Never use the vac without its filter.*

**NOTE:** The filter is re-usable, do not confuse it with a disposable dust bag, and do not throw it away when the product is emptied. We recommend that you replace the filter every 6–9 months depending on frequency of use.

There are two methods of cleaning the bowl, a quick empty method and a thorough clean method.

### For a quick empty (Fig. H, I)

- **Figure H** - Press the dust bowl release button **2** on the handle and remove the dust bowl.  
Fig. H



- The top of the bowl is open when the bowl is removed so that dust can be easily dumped without touching the filter.
- **Figure I** - Empty the dust from the bowl **4**.
- To replace dust bowl, place it back onto the handle until it "clicks" firmly into position.

For a more thorough cleaning, remove bowl as described below.

Fig. I

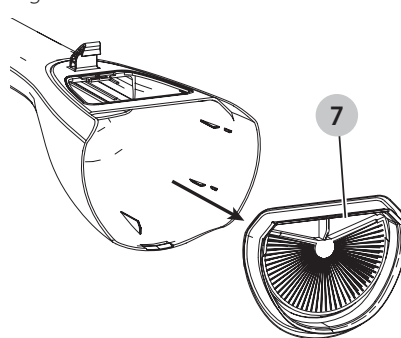


### For a more thorough cleaning (Fig. J, K)

- **Figure H** - Press the dust bowl release button **2** on the handle and remove the dust bowl.

- Remove filter from within the bowl.

Fig. J

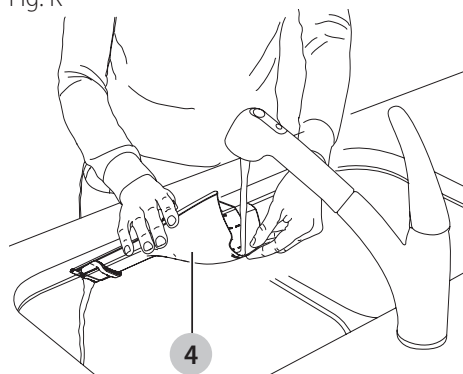


- Shake or lightly brush any loose dust off filter.

**NOTE:** The brush on the nozzle can be used to remove dirt on the pleated filter.

- The dust bowl **4** and filter can be washed in warm soapy water. Allow to dry before placing back into the vac.

Fig. K



- Place filter back into the bowl pressing firmly to ensure a secure fit.
- To replace dust bowl, place it back onto the handle until it "clicks" firmly into position.

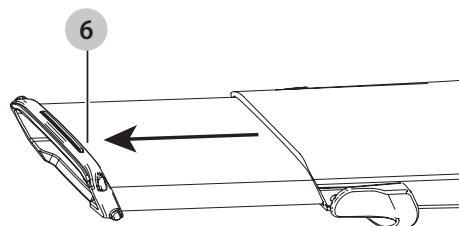
**IMPORTANT:** Maximum dust collection will only be obtained with a clean filter and an empty dust bowl. If dust begins to fall back out of the product after it is switched off, this indicates that the bowl is full and requires emptying.

- Wash the filters regularly using warm, soapy water and ensure that it is completely dry before using again. The cleaner the filter is, the better the product will perform.
- It is very important that the filter is correctly in position before use.

## Nozzle / Accessories (Fig. L–O)

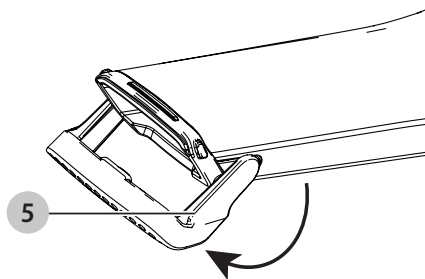
- **Figure L** - A crevice tool **6** is built into the nozzle and can be extended as shown in **Figure L** by pulling the extension piece until it locks into position.

Fig. L



- **Figure M** - A brush accessory **5** is built into the nozzle and can be flipped upwards for use.

Fig. M



## Scented filter\*

BEFORE FIRST USE - remove bag from the scented pre-filter. Reassemble per instructions above.

When the vacuum is turned on, the plastic scented filter will emit an aroma to freshen the air.

### **WARNING:**

- Causes mild skin irritation
- Toxic to aquatic life
- Harmful to aquatic life with long lasting effects.
- Dispose of contents/ containers to an approved waste disposal plant.

**NOTE:** When the plastic scented filter no longer lets off the aroma, it can be an indication that the filter needs to be replaced. See below for information on replacement filters.

\*HLVA320JS vacuums are supplied with a scented filter, though any vacuum covered in this manual can accept a scented filter.

## Replacing the filters

The filters should be replaced every 6 to 9 months and whenever worn or damaged. Replacement filters are available from your BLACK+DECKER dealer.

Visit [www.blackanddecker.com](http://www.blackanddecker.com) to locate dealers.

- Remove the old filters as described above.
- Fit the new filters as described above.

## MAINTENANCE

Use only mild soap and damp cloth to clean the vac. Never let any liquid get inside the vac; never immerse any part of the vac into a liquid.

 **WARNING:** *Make sure the vacuum is completely dry before using it.*

**IMPORTANT:** To assure product SAFETY and RELIABILITY, repairs, maintenance and adjustment (other than those listed in this manual) should be performed by authorized

service centers or other qualified service organizations, always using identical replacement parts.

## TROUBLESHOOTING

If the product does not work, check the following:

- The charger was correctly plugged in for recharge. (It feels slightly warm to the touch.)
- The charger cord is not damaged and is correctly attached.
- The charger is plugged into a working electrical outlet.
- The switch is in the "OFF" position when charging.

For assistance with your product, visit our website

[www.blackanddecker.com](http://www.blackanddecker.com) for the location of the service center nearest you or call the BLACK+DECKER help line at **1-800-544-6986**.

## ACCESSORIES

Recommended accessories for use with your appliance are available from your local dealer or authorized service center.

If you need assistance regarding accessories, please call:

**1-800-544-6986.**



**WARNING:** *The use of any accessory not recommended for use with this appliance could be hazardous.*

## SERVICE INFORMATION

All BLACK+DECKER Service Centers are staffed with trained personnel to provide customers with efficient and reliable power tool service. Whether you need technical advice, repair, or genuine factory replacement parts, contact the BLACK+DECKER location nearest you. To find your local

## ENGLISH

service location, call: **1-800-544-6986** or visit  
**www.blackanddecker.com**

### **TWO-YEAR LIMITED WARRANTY**

Black & Decker (U.S.) Inc. warrants this product to be free from defects in material or workmanship for a period of two (2) years following the date of purchase, provided that the product is used in a home environment. This limited warranty does not cover failures due to abuse, accidental damage or when repairs have been made or attempted by anyone other than BLACK+DECKER and its Authorized Service Centers. A defective product meeting the warranty conditions set forth herein will be replaced or repaired at no charge in either of two ways:

The first, which will result in exchanges only, is to return the product to the retailer from whom it was purchased (provided that the store is a participating retailer). Returns should be made within the time period of the retailer's policy for exchanges. Proof of purchase may be required. Please check with the retailer for its specific return policy regarding time limits for returns or exchanges. The second option is to take or send the product (prepaid) to a BLACK+DECKER owned or authorized Service Center for repair or replacement at BLACK+DECKER's option. Proof of purchase may be required. BLACK+DECKER owned and authorized service centers are listed online at [www.blackanddecker.com](http://www.blackanddecker.com).

This warranty does not apply to accessories. This warranty gives you specific legal rights and you may have other rights which vary from state to state. Should you have any questions, contact the manager of your nearest BLACK+DECKER Service Center. This product is not intended for commercial use, and accordingly, such commercial use of this product will void this warranty. All other guarantees, express or implied, are hereby disclaimed.

LATIN AMERICA: This warranty does not apply to products sold in Latin America. For products sold in Latin America, check country specific warranty information contained in the packaging, call the local company or see the website for such information.

Imported by Black & Decker (U.S.) Inc.,  
701 E. Joppa Rd.  
Towson, MD 21286



## Définitions : symboles et termes d'alarmes sécurité

Ces guides d'utilisation utilisent les symboles et termes d'alarmes sécurité suivants pour vous prévenir de situations dangereuses et de risques de dommages corporels ou matériels.

**! DANGER :** indique une situation dangereuse imminente qui, si elle n'est pas évitée, **entraînera la mort ou des blessures graves.**

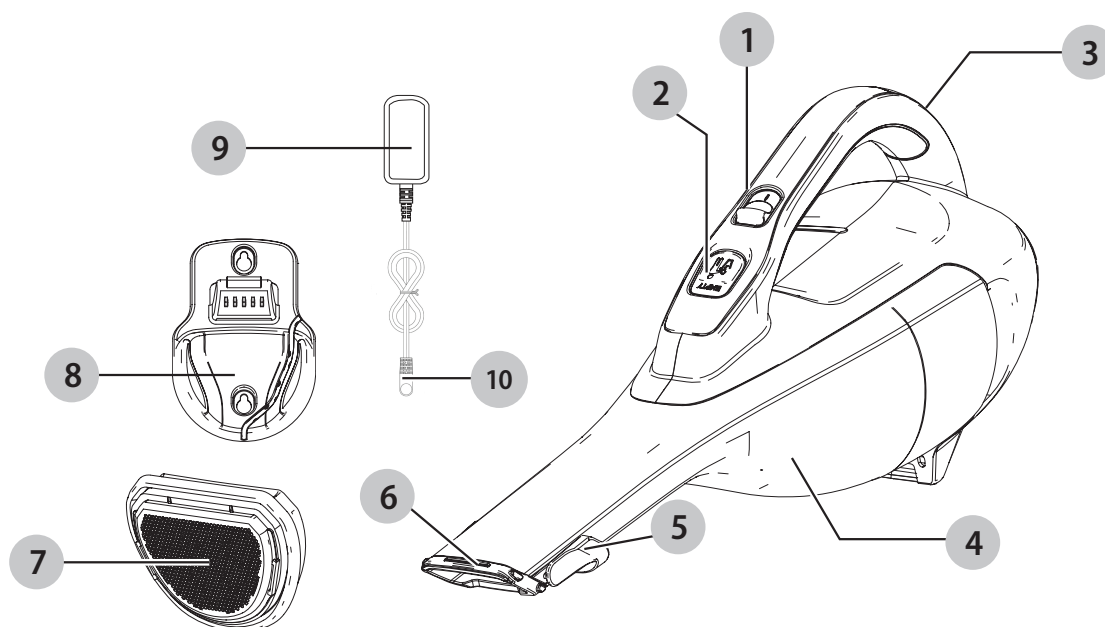
**! AVERTISSEMENT :** indique une situation potentiellement dangereuse qui, si elle n'est pas évitée, **pourrait entraîner la mort ou des blessures graves.**

**! ATTENTION :** indique une situation potentiellement dangereuse qui, si elle n'est pas évitée, **pourrait entraîner des blessures légères ou modérées.**

**! (Si utilisé sans aucun terme)** Indique un message propre à la sécurité.

**! AVIS :** indique une pratique ne posant **aucun risque de dommages corporels** mais qui par contre, si rien n'est fait pour l'éviter, **pourrait poser des risques de dommages matériels.**

Fig. A



- |   |                                 |
|---|---------------------------------|
| 1 Interrupteur marche/arrêt                     | 6 Suceur télescopique           |
| 2 Bouton de libération du réservoir à poussière | 7 Filtre                        |
| 3 Prise de chargement                           | 8 Dispositif de fixation murale |
| 4 Réservoir à poussière                         | 9 Chargeur                      |
| 5 Brosse escamotable                            | 10 Connecteur mâle              |

**! AVERTISSEMENT!** lire tous les avertissements de sécurité et toutes les directives. Le non-respect des avertissements et des directives pourrait se solder par un choc électrique, un incendie et/ou une blessure grave.

**! AVERTISSEMENT :** afin de réduire le risque de blessures, lire le mode d'emploi de l'outil.

# CONSIGNES DE SÉCURITÉ IMPORTANTES

Lors de l'utilisation d'appareils électriques, toujours observer des précautions de base, notamment les suivantes :

## LIRE TOUTES LES CONSIGNES AVANT D'UTILISER L'APPAREIL ÉLECTRIQUE.

**⚠ AVERTISSEMENT :** Lire tous les avertissements de sécurité et toutes les consignes. Le non-respect des avertissements et des directives ci-dessous peut entraîner des risques de choc électrique, d'incendie ou de blessures graves.

**⚠ AVERTISSEMENT :** Certaines poussières domestiques contiennent des produits chimiques identifiés par l'État de Californie comme pouvant causer le cancer, des anomalies congénitales et d'autres dangers pour la reproduction, tels que l'amiante et le plomb contenu dans les peintures au plomb.

**⚠ AVERTISSEMENT :** pour réduire tout risque d'incendie, de choc électrique ou de dommages corporels :

- Risques de chocs électriques. Pour se protéger contre tout risque de chocs électriques, ne pas immerger la base de chargement dans l'eau ou tout autre liquide.
- Ne pas permettre l'utilisation de l'appareil comme jouet. Une étroite surveillance est nécessaire si l'appareil est utilisé par des enfants ou près de ceux-ci.
- Utiliser l'appareil uniquement selon les indications données dans le présent manuel. Utiliser uniquement les accessoires recommandés par le fabricant.
- Ne pas utiliser l'appareil si sa fiche ou son cordon est endommagé. Si un appareil ne fonctionne pas comme il devrait, s'il est tombé au sol ou dans l'eau, s'il est endommagé ou s'il a été laissé à l'extérieur, l'envoyer à un centre de réparation.
- Ne pas tirer sur le cordon, ni transporter l'outil par le cordon, ne pas utiliser le cordon comme poignée, ni fermer une porte dessus, ni tirer le cordon contre des bords tranchants ou des coins. Ne pas passer l'appareil sur le cordon. Tenir le cordon éloigné des surfaces chauffées.
- Ne pas débrancher l'appareil en tirant sur son cordon. Pour le débrancher, saisir la fiche et non le cordon.

- Ne pas manipuler la fiche si vous avez les mains mouillées.
- Ne pas insérer d'objet dans les ouvertures de l'appareil. Ne pas utiliser l'appareil si ses ouvertures sont bouchées; les tenir exemptes de poussière, de peluche, de cheveux et de toute chose pouvant réduire la circulation d'air.
- Tenir les cheveux, les vêtements, les doigts et toutes les parties du corps à distance des ouvertures et des pièces mobiles.
- Être très prudent lors du nettoyage des escaliers.
- Ne pas utiliser cet appareil pour ramasser des liquides inflammables ou des combustibles comme de l'essence et ne pas l'utiliser dans les endroits où ces substances sont présentes.
- Ne pas ramasser de matières brûlantes ou fumantes comme des cigarettes, des allumettes ou des cendres chaudes.
- Utiliser uniquement l'appareil si le sac à poussière, les filtres ou les deux sont en place.
- Ne pas charger l'appareil à l'extérieur.
- L'appareil est conçu pour une utilisation domestique seulement et non industrielle ou commerciale.
- Risque de décharge électrique. Afin de se protéger contre les risques de décharge électrique, ne pas immerger l'appareil dans l'eau ou tout autre liquide.
- Ne pas laisser le cordon pendre sur le bord d'une table ou d'un comptoir, ni toucher des surfaces chaudes. L'appareil doit être placé ou fixé loin de tout évier et de toute surface chaude.
- Brancher l'appareil directement dans une prise électrique.
- Brancher uniquement l'appareil dans une prise électrique d'automobile standard.
- Débrancher l'appareil avant tout nettoyage ou entretien de routine.
- Ne pas regarder dans les événements lorsque l'appareil est en marche, car il arrive parfois que de petits débris s'en échappent, surtout après un nettoyage ou un remplacement de filtre qui aurait tendance à les libérer.
- Des fuites peuvent se produire au niveau des cellules du bloc-piles en cas de conditions extrêmes. Si le liquide, fait d'une solution de 20 à 35% d'hydroxyde de potassium, venait à entrer en contact avec la peau : 1) laver rapidement à l'eau savonneuse ou (2) neutraliser avec un acide doux comme le jus d'un citron ou du vinaigre. En cas de contact oculaire, rincer immédiatement à l'eau claire pendant une dizaine de minutes minimum. Puis voir un médecin.

## CONSIGNES DE SÉCURITÉ ADDITIONNELLES

- Prévenir tout démarrage accidentel. S'assurer que l'interrupteur est en position d'arrêt avant d'attraper ou de transporter l'appareil.** Transporter un appareil le doigt sur l'interrupteur, ou l'alimenter alors que l'interrupteur est en position de marche, invite les accidents.
- Le recharger seulement avec le chargeur spécifié par le fabricant.** Un chargeur propre à un

type de bloc-piles peut créer des risques d'incendie lorsqu'utilisé avec d'autres blocs-piles.

- c) **Ne pas utiliser un bloc-piles ou un appareil endommagé ou modifié.** Un bloc-piles endommagé ou modifié pourrait se comporter de façon imprévisible et poser des risques d'incendie, d'explosion ou de dommages corporels.
- d) **Ne pas exposer un bloc-piles ou un appareil au feu, ou à des températures excessives.** Toute exposition au feu ou à des températures supérieures à 130 °C (266 °F) pose des risques d'explosion.
- e) **Faire entretenir cet appareil par un réparateur qualifié qui n'utilisera que des pièces de rechange identiques.** Cela permettra d'assurer l'intégrité du produit et la sécurité de l'utilisateur.

Uniquement pour utilisation avec le chargeur S003AQU1500015, SSC-150015US.

## CONSERVER CES DIRECTIVES

### SYMBOLES

L'étiquette apposée sur votre outil pourrait comprendre les symboles suivants. Les symboles et leurs définitions sont indiqués ci-après :

- V..... volts  
 A..... ampères  
 Hz..... hertz  
 W..... watts  
 min..... minutes  
 ~ ou AC..... courant alternatif  
 = = = ou DC..... courant continu  
 n<sub>o</sub>..... sous vide  
 ⚠..... Construction de classe I  
 ⊕..... borne de mise à la minute (mis à la terre)  
 □..... Construction de classe II  
 ⚠..... symbole d'avertissement  
 .../min..... tours à la minute  
 Wh..... Watt Heures

### ASSEMBLAGE

**⚠ AVERTISSEMENT :** ne pas tenter de modifier ou réparer l'appareil.

#### Montage mural

Si nécessaire, ce produit peut être monté au mur à l'aide du support pour montage mural, des vis et des dispositifs d'ancrage (fournis). Pour le montage mural de l'aspirateur, consulter les **Figures B, C, D et E**.

- **Figure B** - Marquer l'emplacement des trous pour les vis (à proximité d'une prise électrique pour permettre la charge de l'aspirateur lorsqu'il est sur le support mural).

- **Figure C** - Insérer le cordon du chargeur dans la fente courbe du support de montage mural **8**, en laissant dépasser environ 203–227 mm (8–9 pouces) comme indiqué.

Fig. B

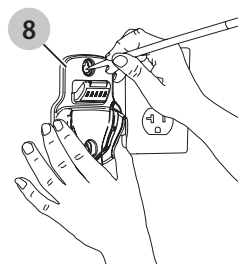
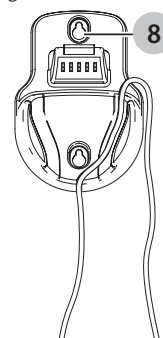
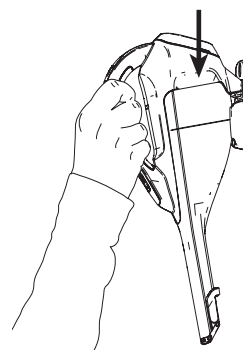


Fig. C



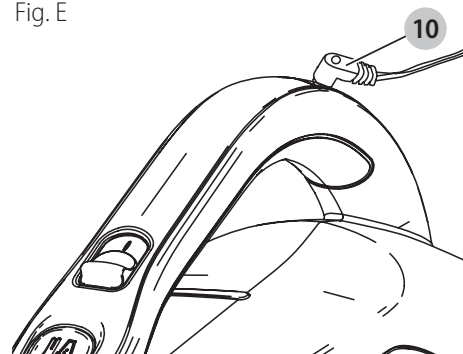
- **Figure D** - Suspendre l'aspirateur au mur en plaçant l'ouverture à la base de l'aspirateur sur les crochets du support de montage mural, comme indiqué sur la **Figure C**.

Fig. D



- **Figure E** - Insérer le connecteur mâle **10** dans la prise femelle.

Fig. E



### Charge de la batterie

**⚠ AVERTISSEMENT :** à n'utiliser qu'avec le chargeur fourni avec l'appareil.

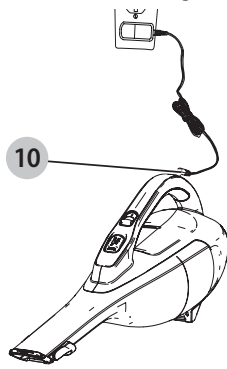
Les piles rechargeables neuves de ce dispositif doivent être chargées pendant au moins 16 heures afin d'assurer une puissance maximale.

- L'interrupteur doit être en position d'arrêt (« O »), sinon le produit ne se chargera pas.
- **Figure F** - Brancher le connecteur mâle **10** du chargeur dans la prise femelle **3** de l'appareil. Brancher le

## FRANÇAIS

chargeur dans une prise électrique standard de 120 volts, 60 Hz. L'indicateur de charge s'allume.

Fig. F



- Durant le chargement, le chargeur peut devenir chaud; ceci est tout à fait normal et ne présente aucun danger. Il est sécuritaire de laisser l'appareil branché au chargeur indéfiniment. Le chargeur réduit automatiquement la consommation électrique lorsque la charge est complète.
- Lorsque la charge est terminée, le voyant s'éteint.

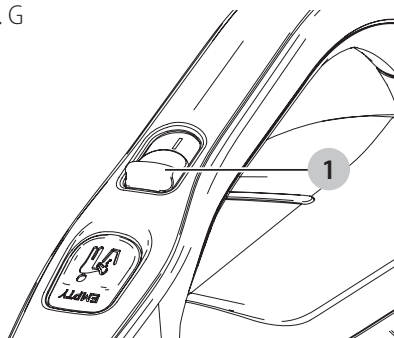
**⚠ AVERTISSEMENT :** *Ne pas charger la batterie à des températures ambiantes inférieures à 4 °C (39 °F) ou supérieures à 40 °C (104 °F).*

## UTILISER

### Mise en marche et arrêt

- **Figure F** - Pour démarrer l'appareil, faire glisser l'interrupteur à glissière marche/arrêt **1** vers l'avant (c.-à-d., « O » = arrêt, « I » = marche).
- Pour l'arrêter, faire glisser l'interrupteur vers l'arrière.
- Remettre l'appareil sur le chargeur immédiatement après son utilisation afin de le maintenir complètement chargé pour la prochaine utilisation. S'assurer que la fiche du chargeur est complètement enfoncée dans la prise de l'appareil.

Fig. G



### Nettoyage et vidage de l'appareil

**⚠ AVERTISSEMENT :** *Danger de projectiles/Danger pour les voies respiratoires : Ne jamais utiliser l'appareil sans filtre.*

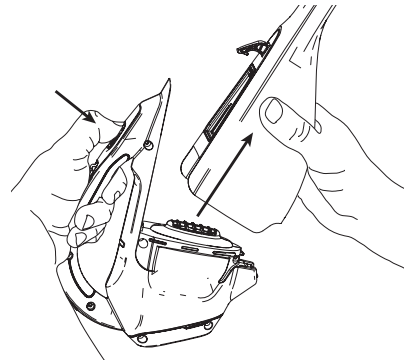
**REMARQUE :** Le filtre est réutilisable (ne pas confondre avec un sac à poussière jetable). Ne pas le jeter en vidant l'appareil. Il est recommandé de remplacer le filtre tous les 6-9 mois selon la fréquence d'utilisation.

Il existe deux méthodes de nettoyage du réservoir, à savoir une méthode de vidage rapide et une méthode de nettoyage en profondeur.

### Pour une vidange rapide (Fig. H, I)

- **Figure H** - Appuyez sur le bouton de libération du réservoir à poussière **2** situé sur la poignée pour le retirer.

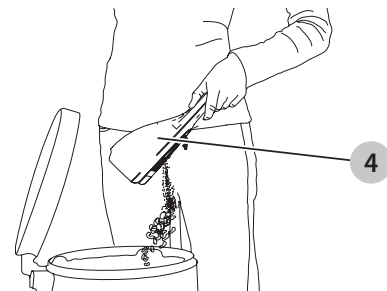
Fig. H



- Le dessus du réservoir est ouvert lorsqu'il est retiré de façon à éliminer facilement la poussière sans toucher au filtre.
- **Figure I** - Videz la poussière du réservoir **4**.
- Pour réinstaller le réservoir à poussière, poussez-le fermement dans la poignée jusqu'à ce qu'un 'clac' se fasse entendre.

Pour un nettoyage plus intensif, retirez le réservoir comme indiqué ci-après.

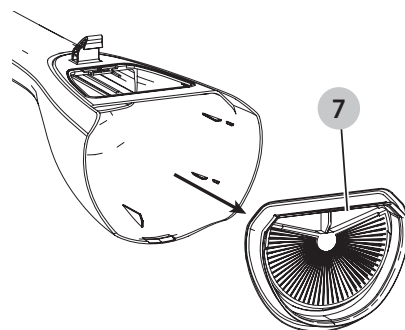
Fig. I



### Pour un nettoyage plus intensif (Fig. J, K)

- **Figure H** - Appuyez sur le bouton de libération du réservoir à poussière **2** situé sur la poignée pour le retirer.
- Retirez le filtre du réservoir.

Fig. J

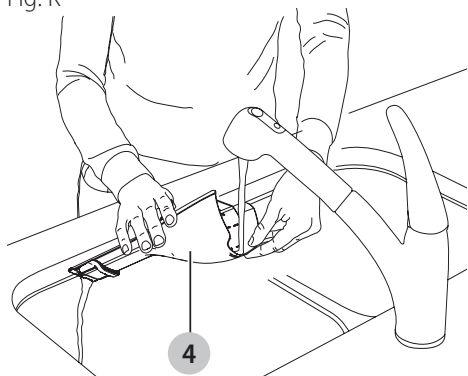


- Secouez ou brossez légèrement le filtre pour en éliminer la poussière.

**REMARQUE :** la brosse sur l'embout peut être utilisée pour éliminer la poussière du filtre plissé.

- Le réservoir à poussière **4** et le filtre peuvent être lavés à l'eau savonneuse tiède. Laissez-les sécher avant de les réinstaller sur l'aspirateur.

Fig. K



- Placez le filtre sur le réservoir en appuyant fermement pour le verrouiller soigneusement.
- Pour réinstaller le réservoir à poussière, poussez-le fermement dans la poignée jusqu'à ce qu'un 'clac' se fasse entendre.

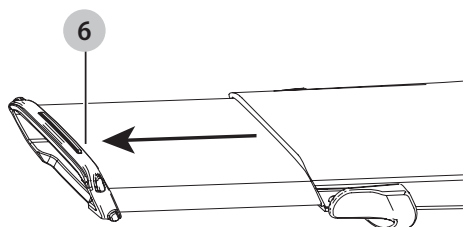
**IMPORTANT :** l'aspiration ne sera optimale qu'avec un filtre propre et un réservoir vide. Si la poussière tombe de l'aspirateur alors qu'il est à l'arrêt, cela indique que le réservoir est plein et doit être vidé.

- Nettoyez le filtre régulièrement à l'eau tiède savonneuse en vous assurant de le sécher soigneusement avant toute réutilisation. Plus le filtre sera propre, plus les performances de l'appareil seront optimales.
- Il est très important que le filtre soit correctement installé avant toute utilisation.

### Embout/accessoires (Fig. L–O)

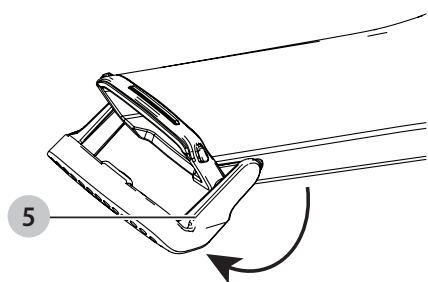
- Figure L** - Un suceur **6** est intégré à l'embout et peut être tiré, comme illustré en figure L, en sortant complètement la partie télescopique jusqu'à ce qu'elle soit verrouillée en position.

Fig. L



- Figure M** - Une brosse **5** a été intégrée à l'embout de l'aspirateur et peut être repoussée vers le haut pour l'utilisation.

Fig. M



### Filtre parfumé\*

AVANT TOUTE PREMIÈRE UTILISATION, retirer le sac du pré-filtre parfumé. Réassembler l'ensemble en suivant les instructions ci-dessus. Lorsque l'aspirateur est en marche, le filtre parfumé en plastique diffusera un arôme pour rafraîchir l'air.

#### ⚠️ ⚠️ ⚠️ AVERTISSEMENT:

- Peut causer une irritation cutanée mineure
- toxique pour la vie aquatique
- Nocif pour la vie aquatique avec des effets à long terme.
- Jeter contenu/contenant dans les sites agréés d'élimination des déchets.

**REMARQUE :** lorsque le filtre parfumé en plastique ne diffusera plus son arôme, cela pourra indiquer que le filtre doit être remplacé. Se reporter ci-dessous pour plus d'informations sur le remplacement des filtres.

\*Les modèles d'aspirateurs HLVA320JS sont équipés d'un filtre parfumé, mais n'importe quel modèle d'aspirateur couvert par ce manuel pourra accepter un filtre parfumé.

### Remplacement des filtres

Les filtres doivent être remplacés tous les 6–9 mois et chaque fois qu'ils sont usés ou endommagés. Des filtres de rechange sont offerts auprès du détaillant BLACK+DECKER local.

- Retirer les anciens filtres selon les indications ci-dessus.
- Installer les filtres neufs selon les indications ci-dessus.

### ENTRETIEN

N'utiliser qu'un détergent doux et un chiffon humide pour nettoyer l'aspirateur. Ne jamais laisser de liquide pénétrer dans l'aspirateur et n'immerger aucune partie de l'aspirateur dans un liquide.

**⚠️ AVERTISSEMENT :** S'assurer que l'aspirateur est complètement sec avant de l'utiliser.

**IMPORTANT :** Pour garantir la SÉCURITÉ et la FIABILITÉ du produit, les réparations, l'entretien et le réglage (autre que ceux énumérés dans ce manuel) doivent être réalisés par un centre de réparation agréé ou tout autre centre de réparation professionnel, et des pièces de rechange identiques doivent être utilisées.

### Dépannage

Si le produit ne fonctionne pas, vérifier les éléments suivants :

- L'indicateur de charge est allumé lorsque l'appareil est relié au chargeur.
- Le chargeur était correctement branché lors de la charge (il est légèrement chaud au toucher).
- Le cordon d'alimentation du chargeur n'est pas endommagé et il est bien fixé.
- Le chargeur est branché dans une prise électrique qui fonctionne.
- L'interrupteur est en position « Arrêt » lorsqu'il est en charge.

## FRANÇAIS

Pour de l'aide avec l'outil, consulter notre site Web [www.blackanddecker.com](http://www.blackanddecker.com) pour l'emplacement du centre de réparation le plus près ou communiquer avec l'assistance BLACK+DECKER au **1-800-544-6986**.

## ACCESSOIRES

Les accessoires recommandés pouvant être utilisés avec l'appareil sont disponibles auprès du détaillant local ou du centre de réparation autorisé. Pour obtenir de l'aide concernant les accessoires, composer le : **1 800 544-6986**.



**AVERTISSEMENT:** *L'utilisation de tout accessoire non recommandé avec cet appareil pourrait s'avérer dangereuse.*

## Information sur les réparations

Tous les centres de réparation BLACK+DECKER sont dotés de personnel qualifié en matière d'outillage électrique; ils sont donc en mesure d'offrir à leur clientèle un service efficace et fiable. Que ce soit pour un avis technique, une réparation ou des pièces de rechange authentiques installées en usine, communiquer avec l'établissement BLACK+DECKER le plus près de chez vous. Pour trouver l'établissement de réparation de votre région, composer le numéro suivant : **1 800 544-6986** ou consulter le site [www.blackanddecker.com](http://www.blackanddecker.com)

## GARANTIE LIMITÉE DE DEUX ANS

Black & Decker (É.-U.) Inc. garantit que le produit est exempt de défauts de matériau et de fabrication pendant deux(2) ans à partir de la date d'achat, à condition que le produit soit utilisé en milieu domestique. La présente garantie limitée ne couvre pas les défaillances provoquées par un abus, un dommage accidentel ou des réparations ou tentatives de réparations effectuées par toute autre personne que le personnel de BLACK+DECKER et de ses centres de réparation agréés. Un produit défectueux qui remplit les conditions stipulées par la présente garantie sera remplacé ou réparé sans frais d'une des deux façons suivantes :

La première façon consiste en un échange chez le détaillant où le produit a été acheté (à la condition que le magasin soit un détaillant participant). Tout retour doit se faire durant la période correspondant à la politique d'échange du détaillant. Une preuve d'achat peut être requise. Prière de vérifier la politique de retour du détaillant au sujet des délais impartis pour les retours ou les échanges.

La deuxième option est d'apporter ou d'envoyer le produit (en port payé) à un centre de réparation agréé ou à un centre de réparation BLACK+DECKER pour faire réparer ou échanger le produit, à la discrétion de BLACK+DECKER. Une preuve d'achat peut être requise. Les centres de réparation de BLACK+DECKER et les centres de réparation ou en ligne sur [www.blackanddecker.com](http://www.blackanddecker.com).

Cette garantie ne s'applique pas aux accessoires. Cette garantie accorde des droits légaux propres au propriétaire de l'outil. Ce dernier pourrait avoir d'autres droits selon l'État ou la province qu'il habite. Pour toute question, communiquer avec le directeur du centre de réparation BLACK+DECKER le plus près. Ce produit n'est pas destiné à un usage commercial. L'usage commercial de ce produit annule par conséquent cette garantie. Toutes autres garanties, expresses ou implicites, sont déclinées par la présente.

Importé par Black & Decker (U.S.) Inc.,  
701 E. Joppa Rd.  
Towson, MD 21286



[BlackandDecker.com](http://BlackandDecker.com)  
1-800-544-6986

## Definiciones: Símbolos y palabras de alerta de seguridad

Este manual de instrucciones utiliza los siguientes símbolos y palabras de alerta de seguridad para alertarle de situaciones peligrosas y del riesgo de lesiones corporales o daños materiales.

**! PELIGRO:** Indica una situación de peligro inminente que, si no se evita, provocará **la muerte o lesiones graves**.

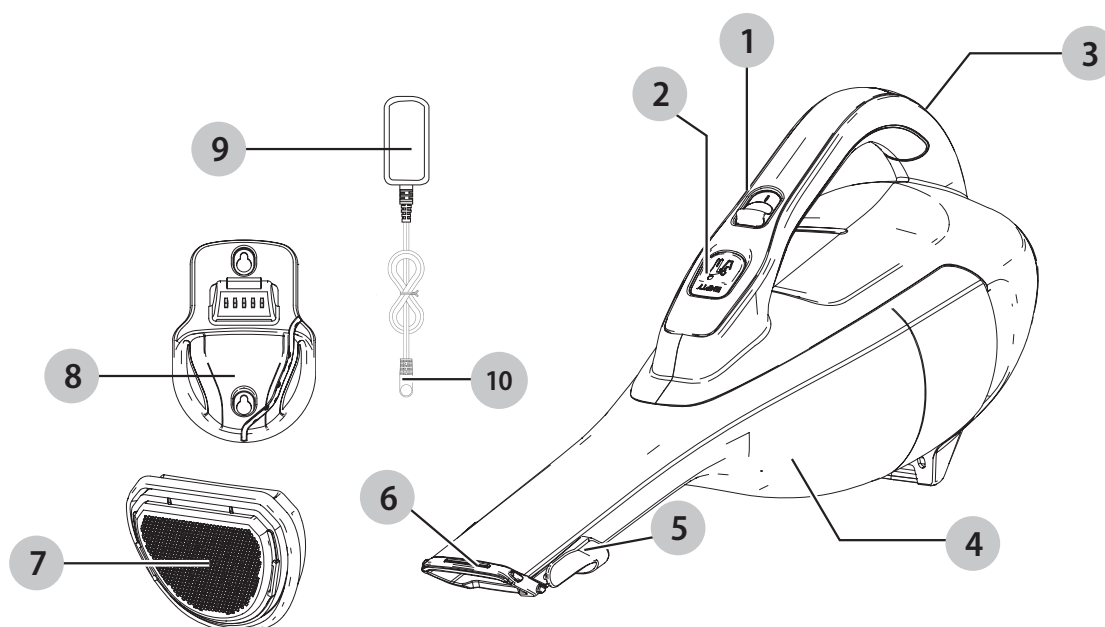
**! ADVERTENCIA:** Indica una situación de peligro potencial que, si no se evita, **podría provocar la muerte o lesiones graves**.

**! ATENCIÓN:** Indica una situación de peligro potencial que, si no se evita, **posiblemente provocaría lesiones leves o moderadas**.

**! (Utilizado sin palabras)** indica un mensaje de seguridad relacionado.

**! AVISO:** Se refiere a una práctica **no relacionada a lesiones corporales** que de no evitarse **puede resultar en daños a la propiedad**.

Fig. A



- |   |                                     |
|---|-------------------------------------|
| 1 Interruptor de encendido/apagado            | 6 Accesorio extensible para ranuras |
| 2 Botón de liberación del depósito para polvo | 7 Filtro                            |
| 3 Enchufe de carga                            | 8 Soporte para montaje en pared     |
| 4 Depósito para polvo                         | 9 Cargador                          |
| 5 Cepillo desplegable                         | 10 Conector jack                    |

**! ¡ADVERTENCIA!** Lea todas las advertencias de seguridad e instrucciones. El incumplimiento de las advertencias e instrucciones puede provocar descargas eléctricas, incendios o lesiones graves.

**! ADVERTENCIA:** Para reducir el riesgo de lesiones, lea el manual de instrucciones.

# INSTRUCCIONES DE SEGURIDAD IMPORTANTES

Al utilizar aparatos eléctricos, siempre deben seguirse algunas precauciones básicas, entre las que se incluyen:

## LEA TODAS LAS INSTRUCCIONES ANTES DE UTILIZAR ESTE APARATO.

**⚠️ ADVERTENCIA:** Lea todas las advertencias de seguridad y todas las instrucciones. El incumplimiento de cualquiera de las advertencias e instrucciones indicadas a continuación puede provocar una descarga eléctrica, un incendio y/o lesiones graves.

**⚠️ ADVERTENCIA:** Algunos tipos de polvo doméstico contienen sustancias químicas, como el asbesto y el plomo de las pinturas a base de plomo, reconocidas por el Estado de California como causantes de cáncer, defectos de nacimiento u otros problemas reproductivos.

**⚠️ ADVERTENCIA:** Para reducir el riesgo de incendio, descarga eléctrica o lesiones:

- Riesgo de descarga eléctrica. Para proteger contra el riesgo de descarga eléctrica, no ponga la base de carga en agua ni en ningún otro líquido.
- No permita que se utilice como juguete. Debe prestar especial atención cuando los niños la utilicen o al utilizarla cerca de ellos.
- Utilícela únicamente como se describe en este manual. Utilice únicamente aditamentos recomendados por el fabricante.
- No utilice la unidad con el cable o el enchufe dañados. Si el aparato no funciona como corresponde, se ha caído, dañado, dejado al aire libre o sumergido en agua, devuélvalo a un centro de mantenimiento.
- No arrastre ni transporte la unidad por el cable, no utilice el cable como un mango, no cierre una puerta sobre el cable ni tire de este cerca de bordes o esquinas filosos. No pase sobre el cable con el aparato funcionando. Mantenga el cable alejado de superficies calientes.
- No desenchufe la unidad tirando del cable. Para desenchufarla, sujete el enchufe, no el cable.
- No manipule el enchufe con las manos mojadas.
- No inserte ningún objeto en los orificios de la unidad. No la utilice si alguno de los orificios está bloqueado,

manténgala libre de polvo, pelusas, pelos y cualquier cosa que pueda reducir el flujo de aire.

- Mantenga el cabello, las ropas holgadas, los dedos y todas las partes del cuerpo alejados de los orificios y de las piezas en movimiento.
- Tenga mucho cuidado al limpiar en escaleras.
- No utilice la unidad para recoger líquidos inflamables o combustibles, como gasolina, ni la utilice en áreas en las que estas sustancias puedan estar presentes.
- No recoja ninguna cosa que esté quemándose o humeante, como cigarrillos, fósforos o cenizas calientes.
- No utilice la unidad sin la bolsa para polvo y/o los filtros en su lugar.
- Este aparato está diseñado para uso doméstico solamente y no para uso comercial o industrial.
- Peligro de descarga eléctrica. Para protegerse contra el riesgo de descarga eléctrica, no ponga la unidad en agua u otro líquido.
- No permita que el cable cuelgue sobre el borde de una mesa o mostrador, o toque superficies calientes. La unidad debe colocarse o montarse lejos de fregaderos y superficies calientes.
- Enchufe la unidad directamente en un tomacorriente.
- Enchufe la unidad solo en un tomacorriente estándar de automóvil.
- Desenchufe la unidad del tomacorriente antes de realizar una limpieza o mantenimiento de rutina.
- No mire por los orificios de ventilación mientras la unidad esté encendida, ya que a veces existe la posibilidad de que pequeños residuos salgan disparados por dichos orificios, especialmente después de limpiar/reemplazar los filtros, ya que los residuos dentro de la unidad pueden desplazarse.
- Pueden producirse fugas de los elementos de la batería en condiciones extremas. Si el líquido, que es una solución de hidróxido de potasio del 20 al 35%, entra en contacto con la piel (1) lávese rápidamente con jabón y agua o (2) neutralícelo con un ácido suave como jugo de limón o vinagre. Si el líquido entra en los ojos, enjuáguelos con agua limpia inmediatamente durante 10 minutos como mínimo. Busque atención médica.

## ADVERTENCIAS DE SEGURIDAD ADICIONALES

- Evite la puesta en funcionamiento involuntaria. Asegúrese de que el interruptor esté en posición de apagado antes de levantar o transportar el aparato.** El transportar el aparato con el dedo puesto en el interruptor o enchufar el aparato con el interruptor encendido puede provocar accidentes.
- Recárguese sólo con el cargador especificado por el fabricante.** Un cargador que sea adecuado para un tipo de batería puede ocasionar un riesgo de incendio si se utiliza con otra batería.
- No utilice una batería o aparato que esté dañado o modificado.** Las baterías dañadas o modificadas pueden funcionar de forma imprevisible y ocasionar un incendio, explosión o riesgo de lesión.

- d) **No exponga una batería o aparato al fuego ni a una temperatura excesiva.** La exposición al fuego o a una temperatura superior a los 130°C (266°F) puede ocasionar una explosión.
- e) **La reparación debe realizarse por una persona calificada para realizar reparaciones que use solamente repuestos idénticos.** Así se asegurará que se mantenga la seguridad del producto.

Solo para su uso con el cargador S003AQU1500015, SSC-150015US.

**⚠ ADVERTENCIA:** No intente modificar o reparar el aparato.

## CONSERVE ESTE MANUAL

### SÍMBOLOS

La etiqueta de su herramienta puede incluir los siguientes símbolos. Los símbolos y sus definiciones son los siguientes:

- V..... voltios
- A..... amperios
- Hz..... hertz
- W..... vatios
- min..... minutos
- ~ o AC..... corriente alterna
- == o DC..... corriente directa
- n<sub>o</sub>..... no velocidad sin carga
- ⚠..... Construcción Clase I
- ⊕..... terminal a tierra (mis à la terre)
- ⊠..... Construcción de clase II
- ⚠..... simbolo de alerta
- .../min..... revoluciones o minuto seguridad
- Wh..... Watt Horas

### ENSAMBLAJE

**⚠ ADVERTENCIA:** No intente modificar o reparar el aparato.

#### Montaje en la pared

Si lo desea, puede montar el producto en la pared utilizando el soporte para montaje en la pared, los tornillos y los anclajes provistos. Para montar la aspiradora en la pared, consulte las Figuras B, C, D y E.

- **Figura B** - Marque la ubicación de los orificios para los tornillos (dentro del alcance de un tomacorriente para cargar la aspiradora mientras está en el soporte de la pared).
- **Figura C** - Inserte el cable del cargador dentro de la ranura curva del soporte para montaje en la pared **8** dejando aproximadamente 203 a 227 mm (8 a 9 pulgadas) de excedente de cable como se muestra.

Fig. B

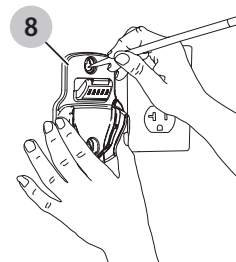
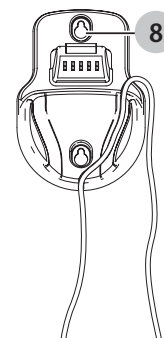
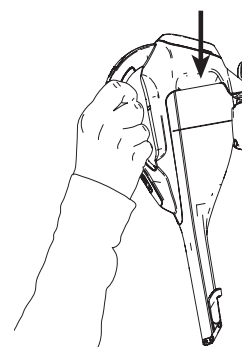


Fig. C

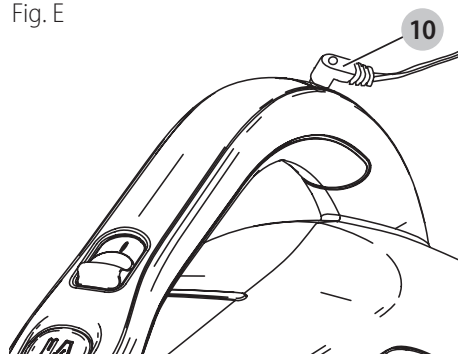


- **Figura D** - Cuelgue la aspiradora en la pared colocando la abertura de la base de ésta sobre los ganchos del soporte para montaje en la pared como se muestra en la Figura C.

Fig. D



- **Figura E** - Inserte la clavija **10** en el enchufe de carga.



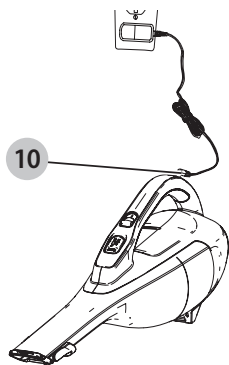
#### Carga de la batería

**⚠ ADVERTENCIA:** Para ser utilizado únicamente con el cargador suministrado.

Cuando nuevas, las celdas recargables del producto necesitan un tiempo mínimo de carga de 16 horas para asegurar la potencia completa.

- El interruptor debe estar en la posición de apagado ("O"); el producto no se cargará si éste está en alguna otra posición.
- **Figura F** - Inserte la clavija **10** del cargador en el enchufe de carga **3** e la herramienta. Enchufe el cargador en cualquier tomacorriente estándar de 120 voltios, 60 Hz. El indicador de carga se encenderá.

Fig. F



- Durante la carga, el cargador puede calentarse; esto es perfectamente normal y seguro. Es seguro dejar el aparato conectado al cargador indefinidamente. El cargador reduce automáticamente el consumo de energía cuando la carga está completa.

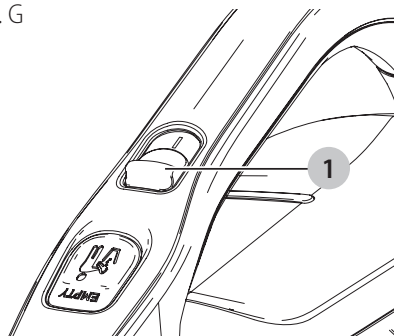
**⚠ ADVERTENCIA:** No cargue la batería a temperaturas ambientales inferiores 4°C (39°F) o superiores a 40°C (104°F).

## USO

### Encendido y apagado

- Figura G - Para encender, deslice el interruptor de encendido/apagado 1 hacia adelante (es decir, "O" = apagado, "I" = encendido).
- Para apagar, deslice el interruptor hacia atrás.
- Vuelva a colocar el producto en el cargador inmediatamente después de utilizarlo para que esté totalmente cargado y listo para el próximo uso. Asegúrese de que el producto esté bien conectado con el enchufe del cargador.

Fig. G



### Limpieza y vaciado del producto

**⚠ ADVERTENCIA:** Peligro de eyección/ para las vías respiratorias: Nunca utilice la aspiradora sin su filtro.

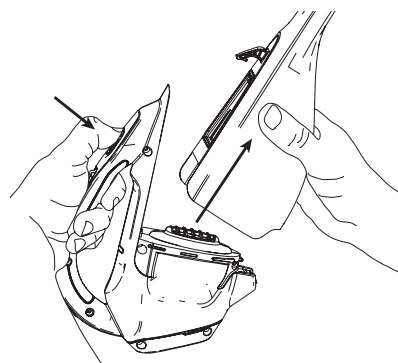
**NOTA:** El filtro es reutilizable, no lo confunda con una bolsa recolectora de polvo desechable y no lo tire al vaciar el producto. Le recomendamos reemplazar el filtro cada 6 a 9 meses según la frecuencia de uso.

Existen dos métodos de limpieza para el depósito, un método de vaciado rápido y un método de limpieza minuciosa.

### Para un vaciado rápido (Fig. H, I)

- **Figura H** - Presione el botón de liberación del depósito para polvo 2 ubicado en el mango y saque el depósito para polvo.

Fig. H



- La parte superior del depósito está abierta cuando se saca el depósito de manera que se pueda tirar el polvo fácilmente sin tocar el filtro.

- **Figura I** - Vacíe el polvo del depósito 4.
- Para volver a colocar el depósito para polvo, póngalo en el mango hasta que haga clic y encaje firmemente en su posición.

Para una limpieza más a fondo, saque el depósito como se describe a continuación.

Fig. I

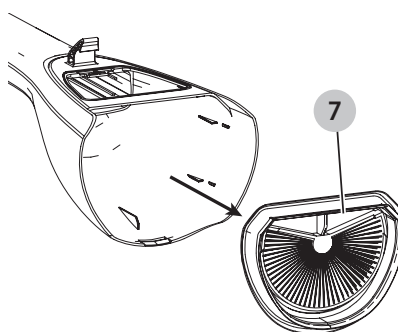


### Para una limpieza más a fondo (Fig. J, K)

- **Figura H** - Presione el botón de liberación del depósito para polvo 2 ubicado en el mango y saque el depósito para polvo.

- Saque el filtro del depósito.

Fig. J

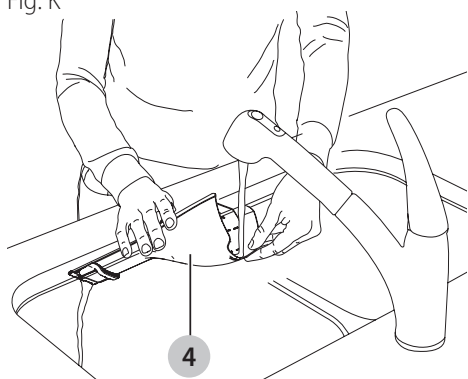


- Sacuda el filtro o cepíllelo ligeramente para quitarle el polvo.

**NOTA:** El cepillo de la boquilla puede utilizarse para eliminar la suciedad del filtro plegado.

- El depósito para polvo **4** y el filtro pueden lavarse con agua tibia y jabón. Deje que se sequen antes de volverlos a colocar en la aspiradora.

Fig. K



- Vuelva a colocar el filtro en el depósito presionándolo firmemente para asegurarse de que esté bien ajustado.
- Para volver a colocar el depósito para polvo, póngalo en el mango hasta que haga clic y encaje firmemente en su posición.

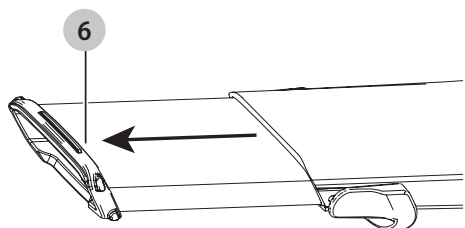
**IMPORTANTE:** Sólo se conseguirá una recogida máxima de polvo con un filtro limpio y un depósito para polvo vacío. Si el polvo empieza a salirse del producto después de apagarse, esto indica que el depósito está lleno y es necesario vaciarlo.

- Lave el filtro periódicamente con agua tibia y jabón y asegúrese de que esté totalmente seco antes de utilizarlo de nuevo. Cuanto más limpio esté el filtro, mejor funcionará el producto.
- Es muy importante que el filtro esté colocado correctamente antes de utilizarlo.

### Boquilla / Accesorios (Fig. L-0)

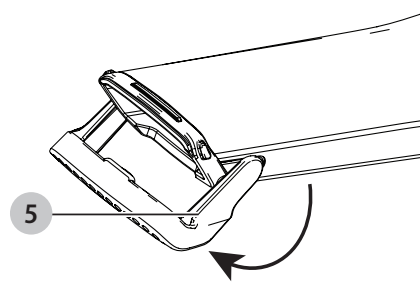
- **Figura L** - La boquilla tiene incorporado un accesorio para ranuras **6** que puede extenderse como se muestra en la **Figura L** jalando la pieza de extensión hasta que se bloquee en su sitio.

Fig. L



- **Figura M** - Hay un accesorio de cepillo **5** incorporado en la boquilla que puede levantarse para utilizarse.

Fig. M



### Filtro perfumado\*

**ANTES DEL PRIMER USO** - saque la bolsa del prefiltro perfumado. Vuelva a montar conforme a las instrucciones indicadas anteriormente. Cuando la aspiradora esté encendida, el filtro de plástico perfumado emitirá un aroma para refrescar el aire.

#### **ADVERTENCIA:**

- Provoca una ligera irritación de la piel
- Tóxico para la vida acuática
- Dañino para la vida acuática con efectos duraderos.
- Deseche el contenido/los recipientes en una planta aprobada para la eliminación de desechos.

**NOTA:** Cuando el filtro de plástico perfumado deje de desprender aroma, puede ser una indicación de que debe cambiarse el filtro. Mire a continuación la información sobre los filtros de repuesto.

\*Las aspiradoras HLVA320JS se suministran con un filtro perfumado, aunque cualquier aspiradora cubierta en este manual puede admitir un filtro perfumado.

### Reemplazo de los filtros

Los filtros se deben reemplazar cada 6 a 9 meses y cuando estén gastados o dañados. Los filtros de repuesto pueden encontrarse en su distribuidor BLACK+DECKER :

- Retire los filtros viejos como se describió anteriormente.
- Coloque los filtros nuevos como se describió anteriormente.

### MANTENIMIENTO

Para limpiar la aspiradora, utilice solo jabón suave y un paño húmedo. Nunca permita que penetre líquido dentro de la aspiradora; nunca sumerja ninguna pieza de la aspiradora en un líquido.

** ADVERTENCIA:** *Asegúrese de que la aspiradora esté completamente seca antes de utilizarla.*

**IMPORTANTE:** Para garantizar la SEGURIDAD y CONFIABILIDAD del producto, las reparaciones, el mantenimiento y el ajuste (que no sean aquellos indicados en este manual) deben ser realizados por los centros de mantenimiento autorizados u otras organizaciones de mantenimiento calificadas, siempre utilizando piezas de repuesto idénticas.

## Detección de problemas

Si el producto no funciona, verifique lo siguiente:

- La luz indicadora de carga está encendida cuando la unidad se conecta al cargador.
- El cargador se enchufó correctamente para la recarga. (Se siente ligeramente tibio al tacto).
- El cable del cargador no está dañado y está conectado correctamente.
- El cargador está enchufado en un tomacorriente eléctrico que funciona.
- El interruptor está en la posición "OFF" (Apagado) al cargar.

Solamente para Propósitos de México

Para conocer la ubicación del centro de servicio más cercano a fin de recibir ayuda con su producto, visite nuestro sitio Web [www.blackanddecker.com.mx](http://www.blackanddecker.com.mx) o llame a la línea de ayuda BLACK+DECKER al **01 800 847 2309/01 800 847 2312**.

## ACCESORIOS

Los accesorios recomendados para uso con el artefacto están disponibles en su distribuidor o centro de mantenimiento autorizado local. Si necesita ayuda con respecto a los accesorios, llame al: **1-800-544-6986**.



**ADVERTENCIA:** El empleo de cualquier accesorio no recomendado para uso con este artefacto puede ser peligroso.

## Información de mantenimiento

Todos los Centros de servicio de BLACK+DECKER cuentan con personal altamente capacitado dispuesto a brindar a todos los clientes un servicio eficiente y confiable en la reparación de herramientas eléctricas. Si necesita consejo técnico, reparaciones o piezas de repuesto originales de fábrica, póngase en contacto con el centro de servicio de BLACK+DECKER más cercano a su domicilio. Para ubicar su centro de servicio local, llame al 1-800-544-6986 o visite nuestro sitio [www.blackanddecker.com](http://www.blackanddecker.com).

## GARANTÍA LIMITADA DE DOS AÑOS

Black & Decker (U.S.) Inc. garantiza que este producto está libre de defectos de material o mano de obra durante un período de dos (2) años desde la fecha de compra, siempre y cuando el producto se utilice en un entorno doméstico. Esta garantía limitada no cubre contra fallas debidas a mal uso, daño accidental o cuando se han realizado o intentado reparaciones por parte de cualquier otra persona ajena a BLACK+DECKER y sus centros de mantenimiento autorizados. Un producto defectuoso que cumple con las condiciones de la garantía establecidas en el presente documento será reemplazado o reparado sin costo de una dos maneras:

La primera, que únicamente dará lugar a intercambios, consiste en devolver el producto al comerciante minorista donde fue comprado (siempre y cuando la tienda sea un comerciante minorista participante). Las devoluciones deben realizarse dentro del período establecido en la política para intercambios del comerciante minorista. Es posible que se requiera el comprobante de compra.

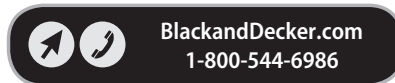
Consulte al comerciante minorista sobre su política específica de devoluciones con respecto a los límites de tiempo para devoluciones o intercambios.

La segunda opción es llevar o enviar (pagado por adelantado) el producto a un centro de mantenimiento de propiedad o con autorización de BLACK+DECKER para su reparación o reemplazo a discreción de BLACK+DECKER. Es posible que se requiera un comprobante de compra. Los centros de mantenimiento de propiedad o con autorización de BLACK+DECKER en línea en [www.blackanddecker.com](http://www.blackanddecker.com).

Esta garantía no se aplica a los accesorios. Esta garantía le otorga derechos legales específicos y es posible que tenga otros derechos que varían de un estado a otro. En caso de que tenga alguna pregunta, comuníquese con el gerente del centro de mantenimiento de BLACK+DECKER más cercano a usted. Este producto no está diseñado para uso comercial y, en consecuencia, dicho uso comercial de este producto anulará la garantía. Por medio del presente documento, se declina la responsabilidad de todas las demás garantías, explícitas o implícitas.

AMÉRICA LATINA: Esta garantía no se aplica a productos vendidos en América Latina. Para los productos que se venden en América Latina, consulte la información de garantía específica del país contenida en el empaque, llame a la compañía local o visite el sitio web para obtener dicha información.

Importado por Black & Decker (U.S.) Inc.,  
701 E. Joppa Rd.  
Towson, MD 21286



**· GARANTÍA BLACK+DECKER · BLACK+DECKER WARRANTY  
· SOLAMENTE PARA PROPOSITOS DE MEXICO**

---

Distributor Name · **Sello firma del distribuidor**

---

Date of purchase · **Fecha de compra**

**Invoice No. · No. de factura**

---

**PRODUCT INFORMATION · IDENTIFICACIÓN DEL PRODUCTO**

Cat. No. · **Catalogo ó Modelo**

**Serial Number · No. de serie**

---

Name · **Nombre**

**Last Name · Apellido**

---

Address · **Dirección**

---

City · **Ciudad**

**State · Estado**

---

Postal Code · **Código Postal**

**Country · País**

---

Telephone · **No. Teléfono**

---

**2 AÑOS DE GARANTIA**

Este producto cuenta con dos años de garantía a partir de la fecha de compra contra cualquier defecto de su funcionamiento, así como cualquier falla debido a materiales empleados para su fabricación ó mano de obra defectuosa.

Nuestra garantía incluye la reparación o reposición del producto y/o componentes sin cargo alguno para el cliente incluyendo la mano de obra, esta incluye los gastos de trasportación erogados para lograr cumplimiento de esta garantía en los domicilios diversos señalados.

Para hacer efectiva esta garantía deberá presentar su herramienta y esta póliza sellada por el establecimiento comercial donde se adquirió el producto.

Nos comprometemos a entregar el producto en un lapso no mayor a 30 días hábiles contados a partir de la fecha de recepción del mismo en nuestros talleres de servicio autorizados.

**ESTA GARANTIA NO APLICA CUANDO:**

El producto se hubiese utilizado en condiciones distintas a las normales.

El producto no hubiese sido operado de acuerdo con el instructivo de uso que se acompaña.

El producto hubiese sido alterado o reparado por personas no autorizadas por nosotros.

Importador: Black & Decker S.A. de .C.V  
Bosque de Cidros Acceso Radiatas No.42  
3ra.Seccion de Bosques de las lomas  
C.P.05120, Mexico, D.F. Tel: (01 55) 5326 7100



## SOLAMENTE PARA PROPOSITOS DE MEXICO

### **Grupo Realsa en herramientas, S.A. de C.V.**

Súper Manzana 69 MZ.01 Lote 30  
(Av. Torcasita)  
Col. Puerto Juárez  
Cancún, Quintana Roo  
Tel. 01 998 884 72 27

### **Ferre Pat de Puebla, S.A. de C.V.**

16 de Septiembre No. 6149  
Col. El Cerrito  
Puebla, Puebla  
Tel. 01 222 264 12 12

### **Ferre Pat de Puebla, S.A. de C.V.**

Ejército Mexicano No. 15  
Col. Ejido 1ro. de Mayo  
Boca del Río, Veracruz  
Tel. 01 229 167 89 89

### **Servicio de Fabrica BLACK+DECKER, S.A. de C.V.**

Lázaro Cardenas No. 18  
Col. Obrera  
Distrito Federal  
Tel. 55 88 95 02

### **Representaciones Industriales Robles, S.A. de C.V.**

Tezozomoc No. 89  
Col. La Preciosa  
Distrito Federal  
Tel. 55 61 86 82

### **Gpo. Comercial de Htas. y Refacciones de Occidente, S.A. de C.V.**

Av. La Paz No. 1779  
Col. Americana, S. Juárez  
Guadalajara, Jalisco  
Tel. 01 33 38 25 69 78

### **Herramientas y Equipos Profesionales**

Av. Colón 2915 Ote.  
Col. Francisco I. Madero  
Monterrey, Nvo. León  
Tel. 01 81 83 54 60 06

### **Htas. Portátiles de Chihuahua, S.A. de C.V.**

Av. Universidad No. 2903  
Col. Fracc. Universidad  
Chihuahua, Chihuahua  
Tel. 01 614 413 64 04

### **Fernando González Armenta**

Bolivia No. 605  
Col. Felipe Carrillo Puerto  
Cd. Madero, Tamaulipas  
Tel. 01 833 221 34 50

### **Perfiles y Herramientas de Morelia**

Gertrudis Bocanegra No. 898  
Col. Ventura Puente  
Morelia, Michoacán  
Tel. 01 443 313 85 50

### **Enrique Robles**

Av. de la Solidaridad No. 12713  
Col. La Pradera  
Irapuato, Guanajuato  
Tel. 01 462 626 67 39

### **Hernández Martínez Jeanette**

Prolongación Corregidora Nte. No. 1104  
Col. Arboledas  
Queretaro, Qro.  
Tel. 01 442 245 25 80

**PARA OTRAS LOCALIDADES LLAME AL 01 800 847 2309 o 01 800 847 2312.**

BLACK & DECKER S.A. DE C.V.  
BOSQUES DE CIDROS ACCESO RADIATAS NO. 42  
COL. BOSQUES DE LAS LOMAS.  
05120 MÉXICO, D.F.  
TEL. (01 55) 5326 7100  
01 800 847 2309/01 800 847 2312

Black & Decker (U.S.) Inc.  
701 East Joppa Road, Towson, MD 21286  
Part No. N501594 rev01  
HLVA315J, HLVA320J, HLVA320JS, HLVA325J  
APR17

Copyright © 2017 BLACK+DECKER