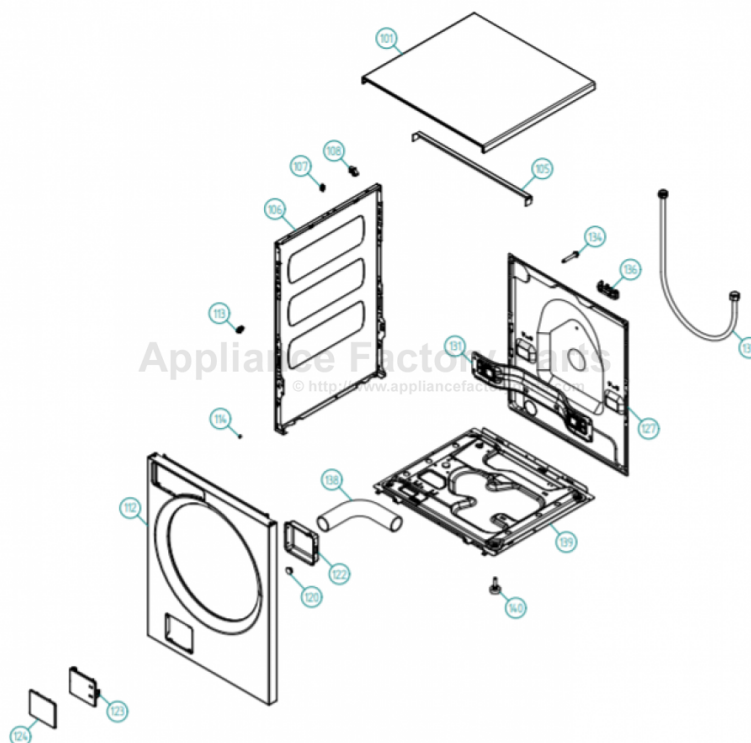


This Owner's Manual is provided and hosted by [Appliance Factory Parts](http://www.appliancefactoryparts.com).



ASKO WMC64V Owner's Manual

[Shop genuine replacement parts for ASKO WMC64V](#)



[Find Your ASKO Washer Parts - Select From 53 Models](#)

----- Manual continues below -----



Spare Parts Catalogue

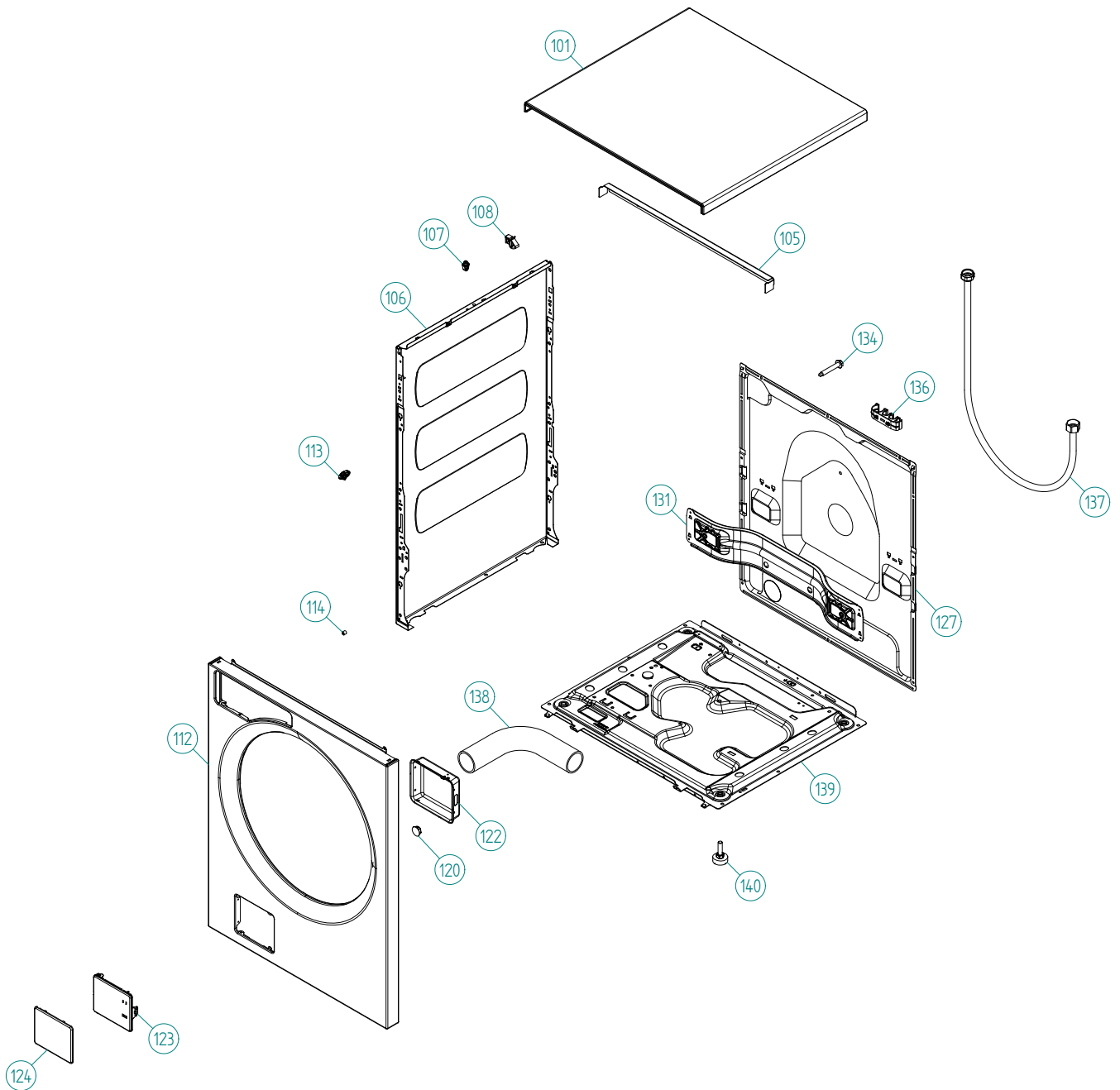
ASKO Washing Machines \ ASKO Prof Series
Type: WM70.C
Model: WMC 64 V US Stainless

Prod. No: 107604801

February 4th 2013

ASKO Appliances Inc.

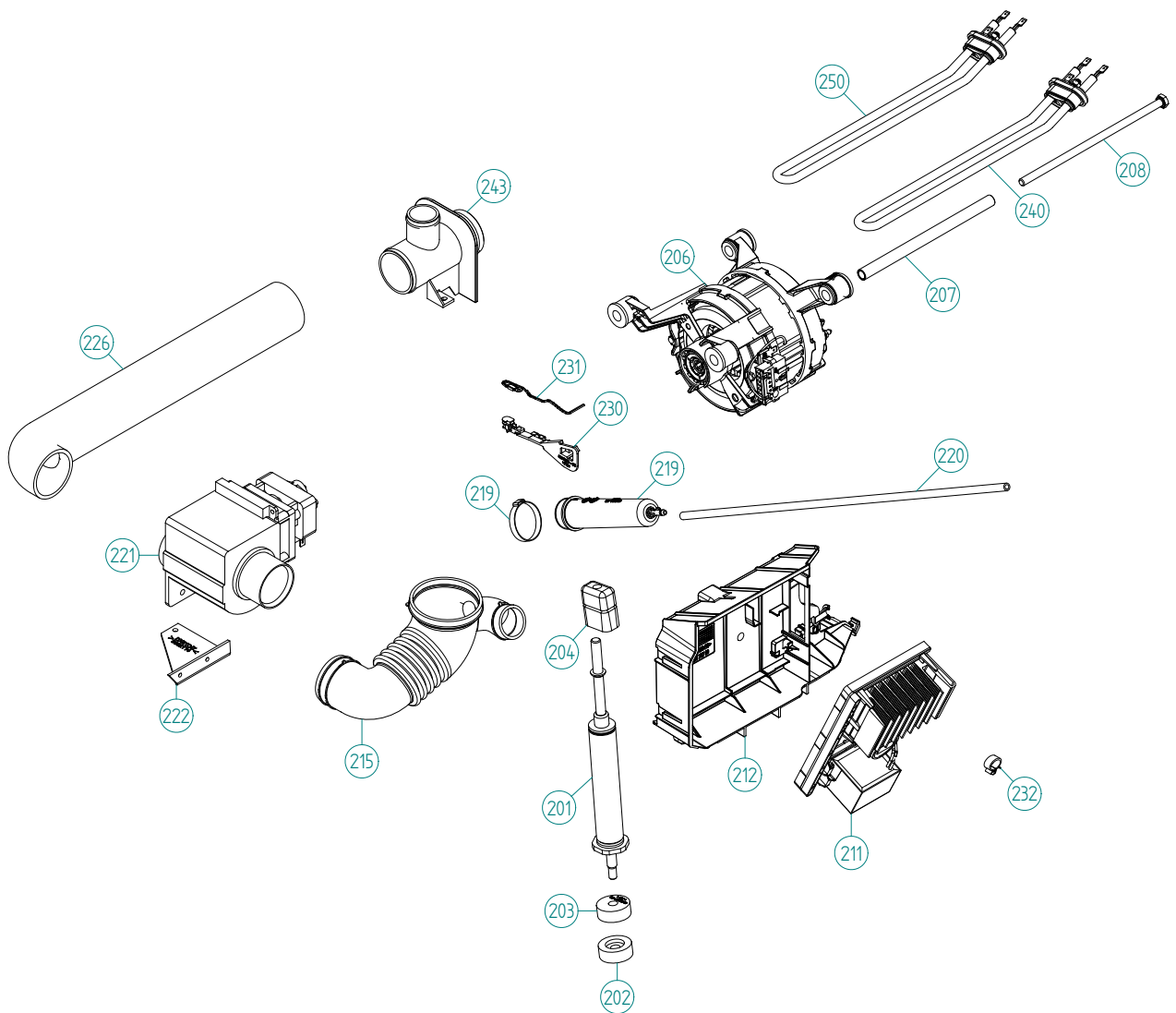
4001 E Plano Parkway #1004001 E Plano Parkway #100
Plano, Texas 75074



Outer Casing

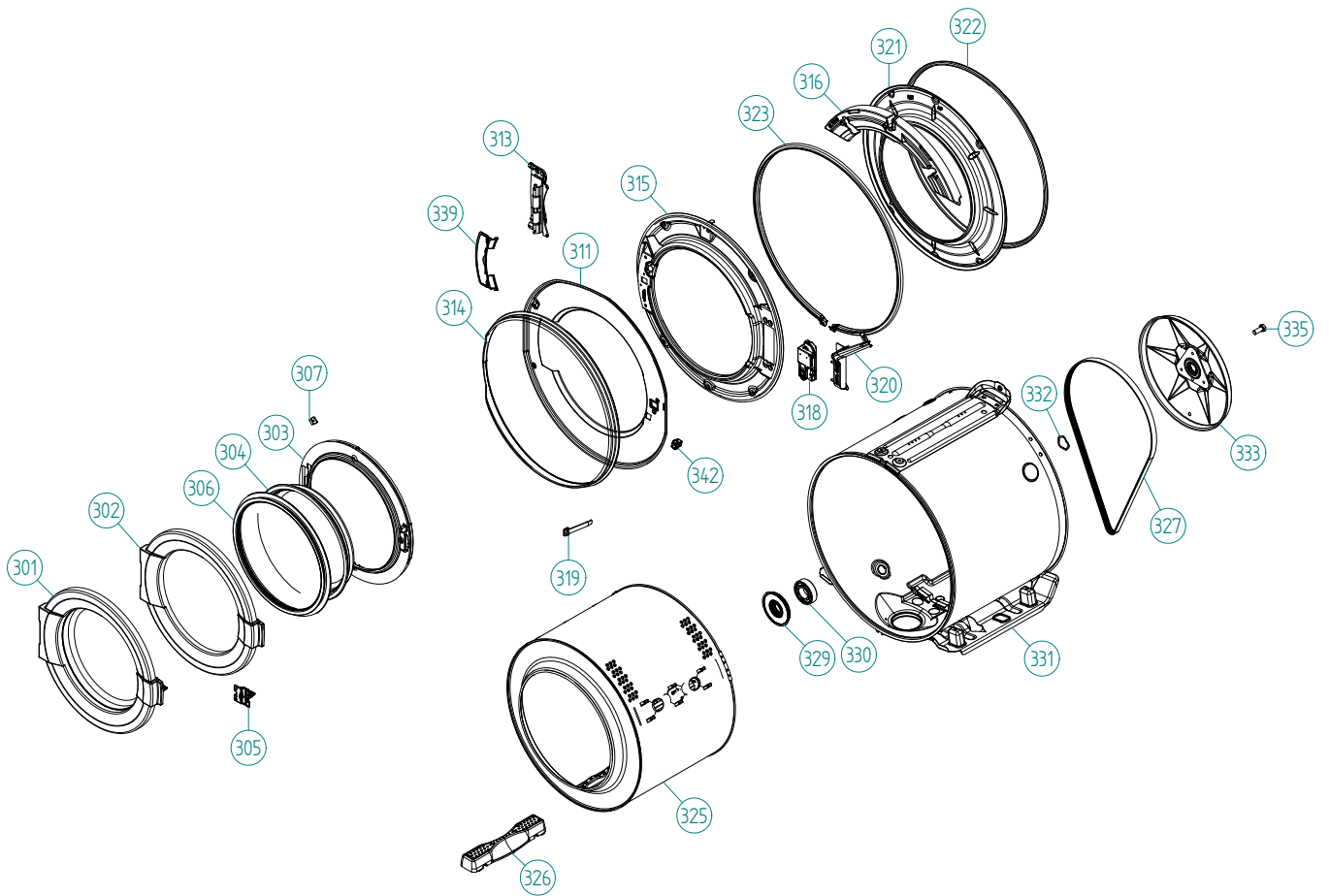
ASKO, WMC 64 V US - Stainless (WM70.C)

| Pos | Spare part No. | Description | Qty | Comment |
|-------|----------------|--------------------------------|---------|---------|
| 101 | 8061817-91 | TOP COVER FPR | 1 Pc's | |
| 101-a | 8902362 | Screw 20 Torx Self Tapping | 3 Pc's | |
| 101-b | 8901413 | Lock Washer laundry tops | 2 Pc's | |
| 105 | 8064198 | Support Beam | 1 Pc's | |
| 105-a | 8064255 | Sponge Rubber Strip 2X8 L=272 | 1 Pc's | |
| 106 | 8801174-81 | Side WM50 titanium | 2 Pc's | |
| 106 | 8801496-81 | KIT SIDE PLATE WASHER MET.GREY | 1 Pc's | |
| 107 | 8061763 | Clip Front Plate 600700s | 2 Pc's | |
| 108 | 8061916 | CABLE HOLDER WMD20 | 3 Pc's | |
| 112 | 8084355-91 | FRONT(VALVE) WITHOUT DOOR CPL. | 1 Pc's | |
| 112-a | 8902362 | Screw 20 Torx Self Tapping | 2 Pc's | |
| 112-b | 8900327 | Screw 20 Torx Self Tapping | 2 Pc's | |
| 113 | 8080197 | PLASTIC BRACKET FRONT PLATE | 2 Pc's | |
| 114 | 8064222 | Guide Front Plate | 2 Pc's | |
| 114-a | 8900327 | Screw 20 Torx Self Tapping | 2 Pc's | |
| 120 | 8064097 | PLUG GUARD OUTLET VALVE | 1 Pc's | |
| 122 | 8061930 | GUARD OUTLET VALVE WM20 | 1 Pc's | |
| 123 | 8076076-49 | CARRIER LID DRAINAGE PUMP | 1 Pc's | |
| 124 | 8076071-91 | LID DRAIN PUMP | 1 Pc's | |
| 127 | 8801466 | REAR PANEL WM20/60/70 | 1 Pc's | |
| 127-b | 8902362 | Screw 20 Torx Self Tapping | 11 Pc's | |
| 131 | 8088291 | BEAM TRANSPORT BRACE WM70 | 1 Pc's | |
| 134 | 8088277 | SCREW M10X65 TT FZB | 3 Pc's | |
| 136 | 8065773 | HOSE FRAME REAR COVER WM | 2 Pc's | |
| 137 | 8056950 | Fill Hose Pex WM | 2 Pc's | |
| 138 | 8007513 | Outlet hose 90 degrees | 1 Pc's | |
| 139 | 8061618 | BASE PAN WMD20 | 1 Pc's | |
| 140 | 8059334 | Leveling Leg Comp WMD 20 | 4 Pc's | |



Lower session**ASKO, WMC 64 V US - Stainless (WM70.C)**

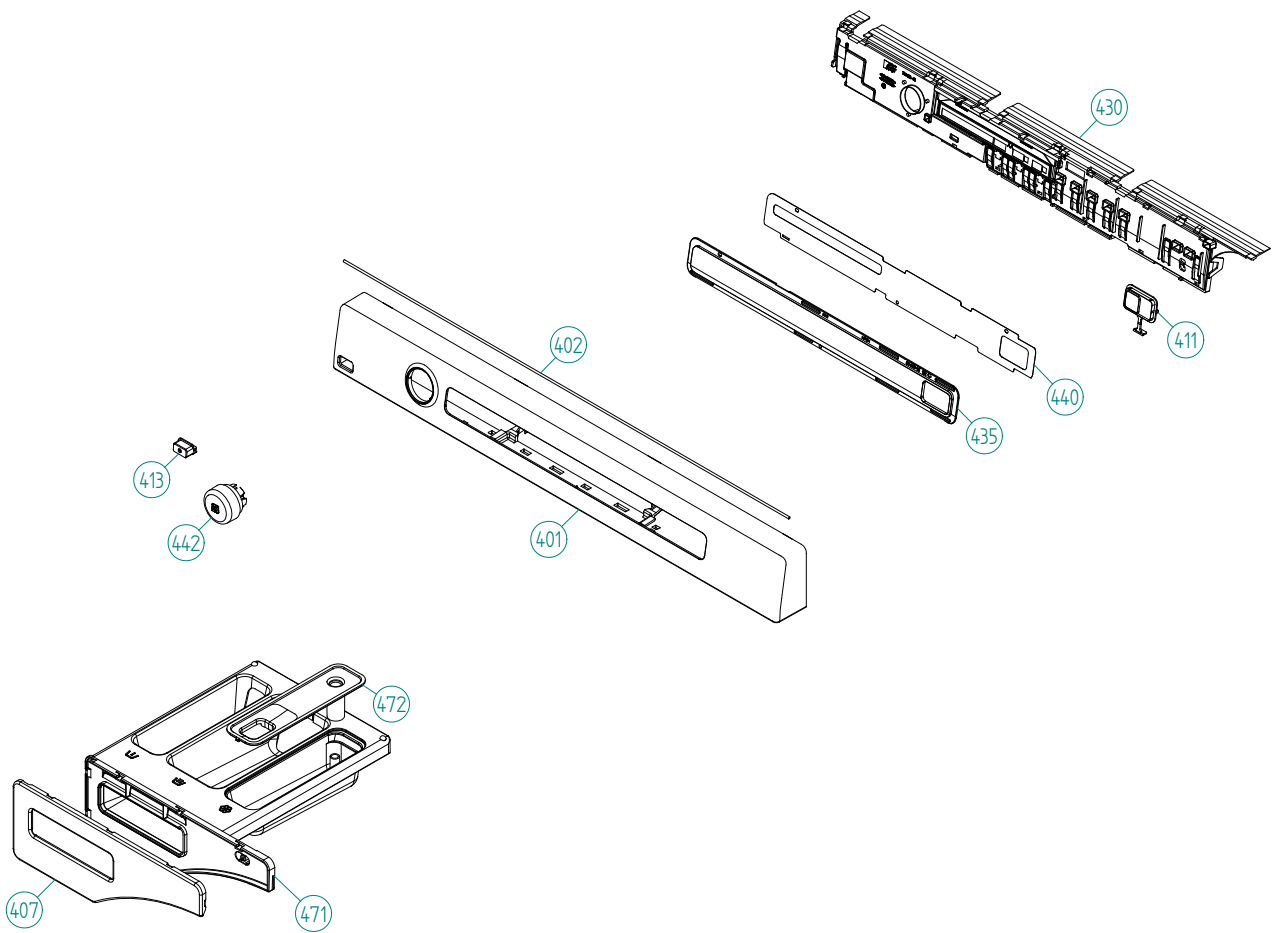
| Pos | Spare part No. | Description | Qty | Comment |
|------------|-----------------------|--------------------------------|------------|----------------|
| 201 | 8801454 | SPRINGLEG KIT WM70 | 1 Pc's | |
| 202 | 8088443 | RUBBER BUFFER SPRING LEG FEMA. | 4 Pc's | |
| 203 | 8088444 | RUBBER BUFFER SPRING LEG MALE | 4 Pc's | |
| 204 | 8088445 | RUBBER DAMPER SPRINGLEG | 4 Pc's | |
| 206 | 8088644 | MOTOR CIM WM70 | 1 Pc's | |
| 207 | 8058261 | Spacer Tube Motor 05 WM | 2 Pc's | |
| 208 | 8063591 | Screw | 2 Pc's | |
| 211 | 8089672 | MOTOR CONTROL UNIT CIM-A | 1 Pc's | |
| 211-a | 8901097 | Screw Terminal | 1 Pc's | |
| 211-b | 8901322 | Washer | 1 Pc's | |
| 212 | 8083420 | HOLDER CONTROL UNIT(MOTOR) UL4 | 1 Pc's | |
| 215 | 8088582 | BELLOWS HOSE OUTLET VALVE UL4 | 1 Pc's | |
| 219 | 8061924 | Pressure Chamber | 1 Pc's | |
| 219-c | 8084609 | HOSE CLIP 39.6 | 1 Pc's | |
| 220 | 8080831 | RUBBER HOSE 4,3X7,3X527 | 1 Pc's | |
| 221 | 8008365 | Outlet Valve | 1 Pc's | |
| 221-a | 8901969 | SCREW MRT-TT 5x12 FZB T20 | 2 Pc's | |
| 222 | 8062114 | HOLDER OUTLET VALVE WM20 | 1 Pc's | |
| 222-a | 8901969 | SCREW MRT-TT 5x12 FZB T20 | 2 Pc's | |
| 226 | 8062111 | OUTLET HOSE OUTLET VALVE WM20 | 1 Pc's | |
| 226-a | 8051391 | Hose clip | 2 Pc's | |
| 231 | 8801474 | THERMISTOR COMPL. W. HOLDER | 1 Pc's | |
| 232 | 8061976 | Cable Holder W600 | 2 Pc's | |
| 240 | 8061703 | Heating Element Commercial | 1 Pc's | |
| 243 | 8050702 | TTube outlet | 1 Pc's | |
| 243-a | 8051391 | Hose clip | 1 Pc's | |
| 243-b | 8901322 | Washer | 2 Pc's | |
| 243-c | 8901097 | Screw Terminal | 2 Pc's | |
| 250 | 8061704 | Heating Element Commercial R | 1 Pc's | |



Cylinder and related parts

ASKO, WMC 64 V US - Stainless (WM70.C)

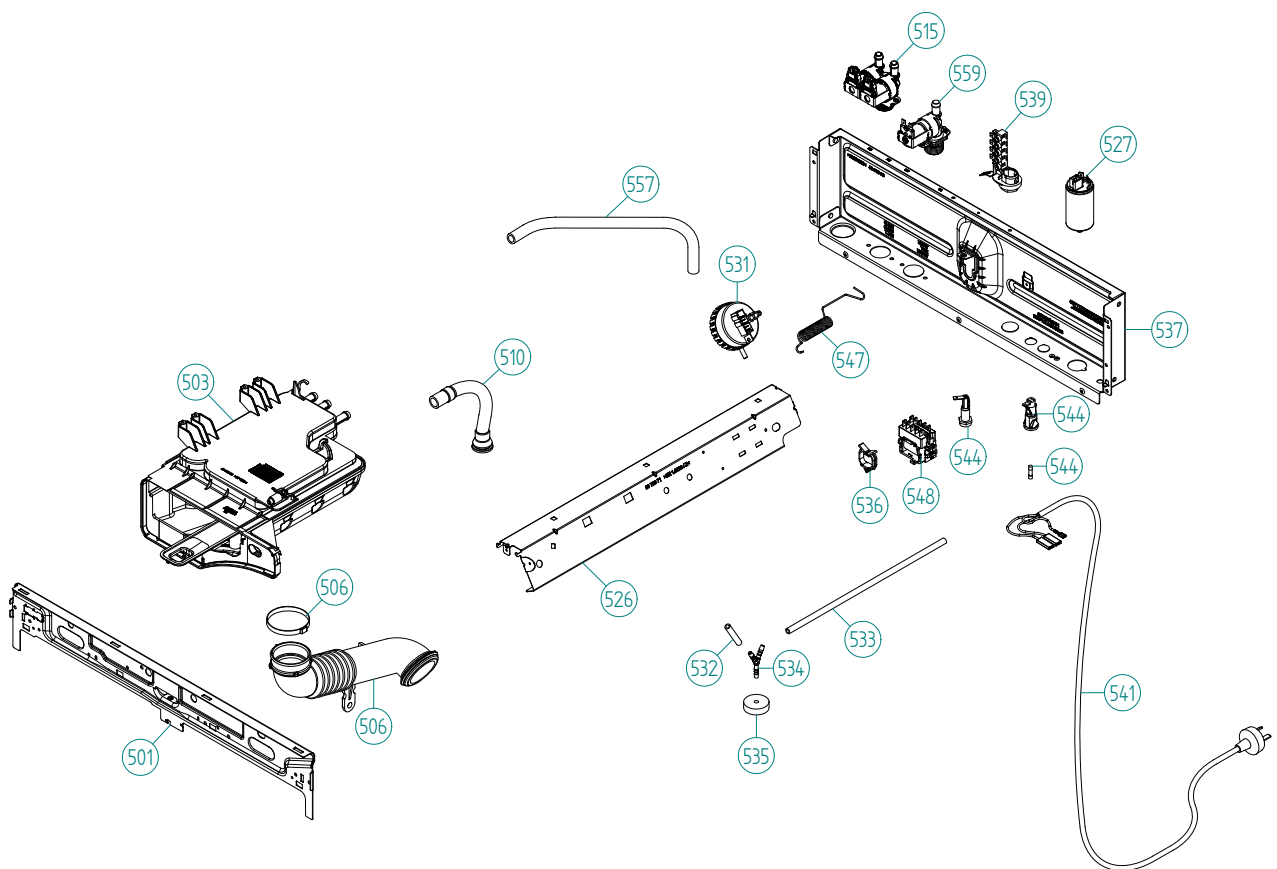
| Pos | Spare part No. | Description | Qty | Comment |
|-------|----------------|--------------------------------|--------|---------|
| 301 | 8082933-81 | FRONT DOOR COMPL WM60 | 1 Pc's | |
| 302 | 8082933-81 | FRAME FRONT DOOR OUTER PART | 1 Pc's | |
| 303 | 8082933-81 | FRAME FRONT DOOR INNER PART | 1 Pc's | |
| 304 | 8061685 | Included with POS 301 | 1 Pc's | |
| 305 | 8078973 | LOCK HOOK UL4 | 1 Pc's | |
| 306 | 8081128 | SEALING FRONT DOOR WM60 UL4 | 1 Pc's | |
| 307 | 8801321 | KIT SECURING PLATE FRONT GLASS | 1 Pc's | |
| 311 | 8082563-29 | COVER PLATE OUTER WM60.C | 1 Pc's | |
| 313 | 8082561 | HINGE WM60.C COMPL. | 1 Pc's | |
| 313-a | 8901097 | Screw Terminal | 2 Pc's | |
| 314 | 8076561-81 | GAP SEALING | 1 Pc's | |
| 315 | 8081693 | COVER PLATE INNER WM70 | 1 Pc's | |
| 316 | 8076563 | Balance Weight 5.1 KG | 2 Pc's | |
| 316-a | 8901135 | SCREW | 4 Pc's | |
| 318 | 8079873 | DOOR LOCK | 1 Pc's | |
| 318-a | 8902087 | Screw Plastic Housing 20 Torx | 2 Pc's | |
| 319 | 8076566 | EMERGENCY OPENER DOOR LOCK | 1 Pc's | |
| 320 | 8079959-UL | DOOR LOCK COVER | 1 Pc's | |
| 321 | 8081689 | FRONT GABLE CONTAINER WM70 | 1 Pc's | |
| 322 | 8081696 | SEALING STRIP FRONT GABLE WM70 | 1 Pc's | |
| 323 | 8081695-P | TENSIONRING WM70 | 1 Pc's | |
| 325 | 8092250-P | DRUM D480 COMPL. WM70 | 1 Pc's | |
| 325 | 8081676-P | DRUM Repl.by 8092250-P WM70 | 1 Pc's | |
| 326 | 8081678 | DRUM PADDLE WM70 | 3 Pc's | |
| 326 | 8090348 | DRUM PADDLE WM70 | 3 Pc's | |
| 327 | 8081649 | DRIVE BELT J5 1225 | 1 Pc's | |
| 329 | 8801276 | Kit Sealing Cassette | 1 Pc's | |
| 330 | 8056314 | Bearing Comp WM Rear Panel | 2 Pc's | |
| 331 | 8801456 | CONTAINER COMPL. WM70 2 EL. | 1 Pc's | |
| 332 | 8056810 | Wave Washer WM | 1 Pc's | |
| 333 | 8056376 | Pulley for Drum WM | 1 Pc's | |
| 335 | 8901052 | Screw | 1 Pc's | |
| 339 | 8083250-33 | COVER HINGE WM60.C | 1 Pc's | |
| 342 | 8089887 | GUIDE-2 GLASS DOOR | 1 Pc's | |



Control Panel

ASKO, WMC 64 V US - Stainless (WM70.C)

| Pos | Spare part No. | Description | Qty | Comment |
|-----|----------------|-------------------------------------|--------|---------|
| 401 | 8089020-69-UL | PANEL ASKO PROFESSIONAL | 1 Pc's | |
| 402 | 8079749 | Rubber Seal-Cntrl Panel to Brd | 1 Pc's | |
| 407 | 8081672-91 | LID DETERGENT DISP. W. HOLE | 1 Pc's | |
| 411 | 8081748-69 | PUSHBUT. START/STOP PRINTED WM | 1 Pc's | |
| 413 | 8081710-69 | PUSHBU. MAINSWITCH WMD60.2 UL4 | 1 Pc's | |
| 430 | 8088612 | Control Unit WM70.C | 1 Pc's | |
| 435 | 8083316 | LENS 0-OPTIONS WMD60.2 | 1 Pc's | |
| 440 | 8083375-81 | DECOR PLATE 0-OPTIONS WMD60.C | 1 Pc's | |
| 442 | 8081595-69-UL | KNOB ASKO WMD60.2 UL4 | 1 Pc's | |
| 468 | 8076209 | NLA-GROUND CHAIN WM UL4 | 1 Pc's | |
| 469 | 8086440 | CABLE SET COIN BOX | 1 Pc's | |
| 469 | 8083064 | CABLE SET COIN OP. WMD60.C | 1 Pc's | |
| 471 | 8081664 | Det Drawer WM Pull out | 1 Pc's | |
| 472 | 8081665 | SIPHON Liq Softner Pull Compartment | 1 Pc's | |
| 490 | 8089878 | INSTRUCT. WMC64V ENGLISH US/CA | 1 Pc's | |
| 490 | 8089879 | INSTRUCT. WMC64V FRENCH US/CA | 1 Pc's | |



Upper session

ASKO, WMC 64 V US - Stainless (WM70.C)

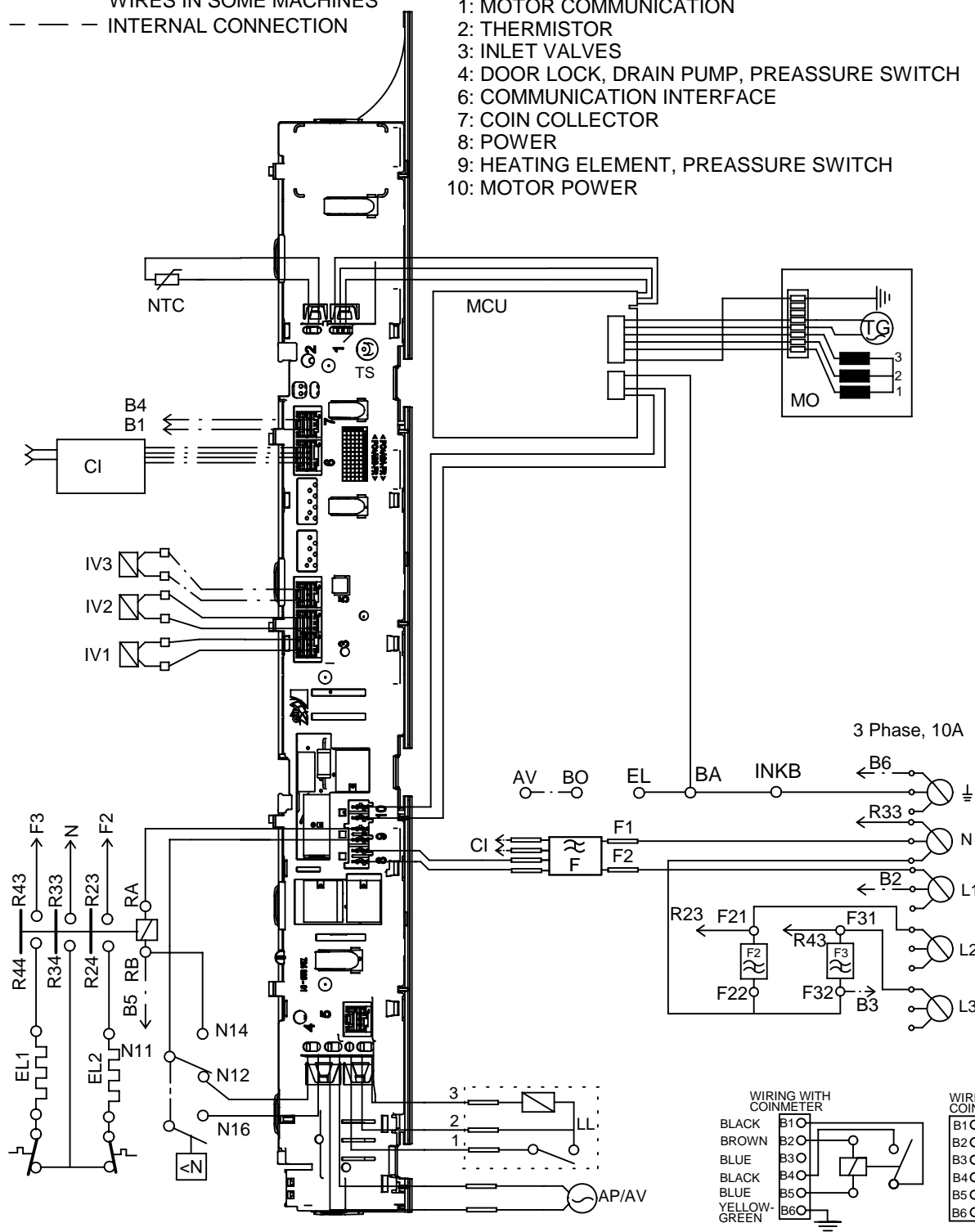
| Pos | Spare part No. | Description | Qty | Comment |
|-------|----------------|-------------------------------|--------|--------------------------------------|
| 501 | 8076029 | FRONTBEAM | 1 Pc's | |
| 501-a | 8902362 | Screw 20 Torx Self Tapping | 2 Pc's | |
| 501-b | 8901413 | Lock Washer laundry tops | 2 Pc's | |
| 503 | 8081666 | Det Comp Compl WM Pull out | 1 Pc's | |
| 503-a | 8901970 | Screw | 1 Pc's | |
| 503-b | 8902072 | SCREW PT KB40X10 WN1442 GALV | 1 Pc's | |
| 506 | 8064692 | BELLOW HOSE INLET UL4 | 1 Pc's | |
| 506-a | 8063607 | HOSE CLIP 57,5 | 1 Pc's | |
| 510 | 8061736 | Ventilation Hose WM20 | 1 Pc's | |
| 510-a | 8052730 | HOSE CLIP 21,0 | 1 Pc's | |
| 515 | 8083880 | INLET VALVE 2-WAY | 1 Pc's | |
| 515-a | 8901097 | Screw Terminal | 2 Pc's | |
| 526 | 8078971 | UNIT FOR ELECTR. COMP. | 1 Pc's | |
| 527 | 8076202 | EMC-FILTER WITH INDUCTOR | 1 Pc's | |
| 527-a | 8901155 | Nut | 1 Pc's | |
| 527-b | 8901419 | Lock Washer | 1 Pc's | |
| 529 | 8079710 | CABLE SET IV WM UL4 | 1 Pc's | |
| 529 | 8079714 | CABLE SET MC C CIM-A W UL4 | 1 Pc's | |
| 529 | 8082568 | CABLE SET P WM UL4 | 1 Pc's | |
| 529 | 8082569 | CABLE SET MC P WM UL4 | 1 Pc's | |
| 529 | 8083063 | CABLE SET IV3 WM60.C UL4 | 1 Pc's | |
| 529 | 8083057 | CABLE SET EL WM60.C UL4 | 1 Pc's | |
| 529 | 8083884 | CABLE SET N AV LL WM60.C UL4 | 1 Pc's | |
| 529 | 8089033 | CABLE SET MOTOR A WM UL4 | 1 Pc's | |
| 531 | 8089766 | LEVEL SWITCH WM70 | 1 Pc's | |
| 532 | 8080832 | RUBBER HOSE 4,3X7,3X72 | 1 Pc's | |
| 533 | 8080617 | RUBBER HOSE 4,3X7,3X260 | 1 Pc's | |
| 534 | 8051843 | Y Pipe Water Level SW WM | 1 Pc's | |
| 535 | 8061997 | Ground Level Switch Hose WM20 | 2 Pc's | |
| 536 | 8061975 | Cable Holder | 1 Pc's | |
| 537 | 8089748 | CROSS BEAM | 1 Pc's | |
| 537-a | 8900327 | Screw 20 Torx Self Tapping | 5 Pc's | |
| 539 | 8061660 | Terminal Block 5Pole | 1 Pc's | |
| 539-a | 8901097 | Screw Terminal | 1 Pc's | |
| 541 | 8064210 | PWR Cord w/flat pin sleeves | 1 Pc's | |
| 544 | 8065573 | FUSE HOLDER GREY 15A US/CA | 2 Pc's | |
| 544-a | 8058140 | BK/MDA15 Fuse All laundry | 2 Pc's | |
| 544-b | 8801354 | Fuse Holder Assembly | 2 Pc's | For units produced before wk 34 2002 |
| 544-c | 8801354 | Fuse Holder Assembly | 2 Pc's | For units produced before wk 34 2002 |
| 547 | 8095135 | BALANCING SPRING | 1 Pc's | |
| 547 | 8089723 | BALANCING SPRING | 2 Pc's | |
| 548 | 8064179 | Relay 10 terminals WM | 1 Pc's | |
| 557 | 8058502 | RUBBER HOSE 10X15X360 UL1 | 2 Pc's | |
| 559 | 8083315 | INLET VALVE 1-WAY | 1 Pc's | |

——— WIRES IN ALL MACHINES
 - - - WIRES IN SOME MACHINES
 - - - INTERNAL CONNECTION

CABLE POSITIONS
 1: MOTOR COMMUNICATION
 2: THERMISTOR
 3: INLET VALVES
 4: DOOR LOCK, DRAIN PUMP, PREASSURE SWITCH
 6: COMMUNICATION INTERFACE
 7: COIN COLLECTOR
 8: POWER
 9: HEATING ELEMENT, PREASSURE SWITCH
 10: MOTOR POWER

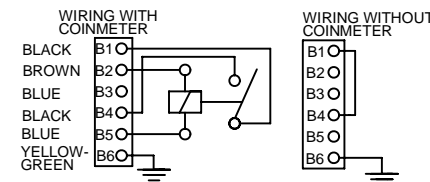
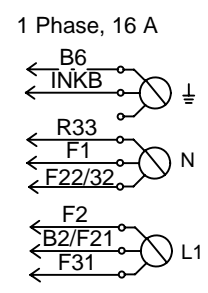
RESISTANCES AT ROOM VALUES WITHIN +/-10%

F: RADIO INTERFERE
 EL: HEATING ELEMEN
 AP: DRAIN PUMP 50 H
 AP: DRAIN PUMP 60 H
 AV: DRAIN VALVE
 LL: DOOR LOCK, 1-2
 NTC: THERMISTOR
 IV 1: INLET VALVE 1
 IV 2: INLET VALVE 2
 IV3: INLET VLAVE 3
 MO: MOTOR, 1-3
 1-2
 2-3
 MCU: MOTOR CONTROL
 N: PRESSURE SWITC
 TS: PRESSURE SENS
 TG: TACHO GENERATO
 BA: CONTAINER
 INKB: INCOMING GROUN
 CI: COMMUNICATIONS



SERVICE MENU
 TURN OFF POWER (S1)
 WAIT FOR AT LEAST 5 SEC
 HOLD S4
 TURN ON POWER (S1)
 PRESS S4 5 TIMES TO ENT

PRESS DOOR OPENING (S1)
 ROTATE DIAL TO CHANGE
 PRESSING START/STOP (S



CIRC
 80