

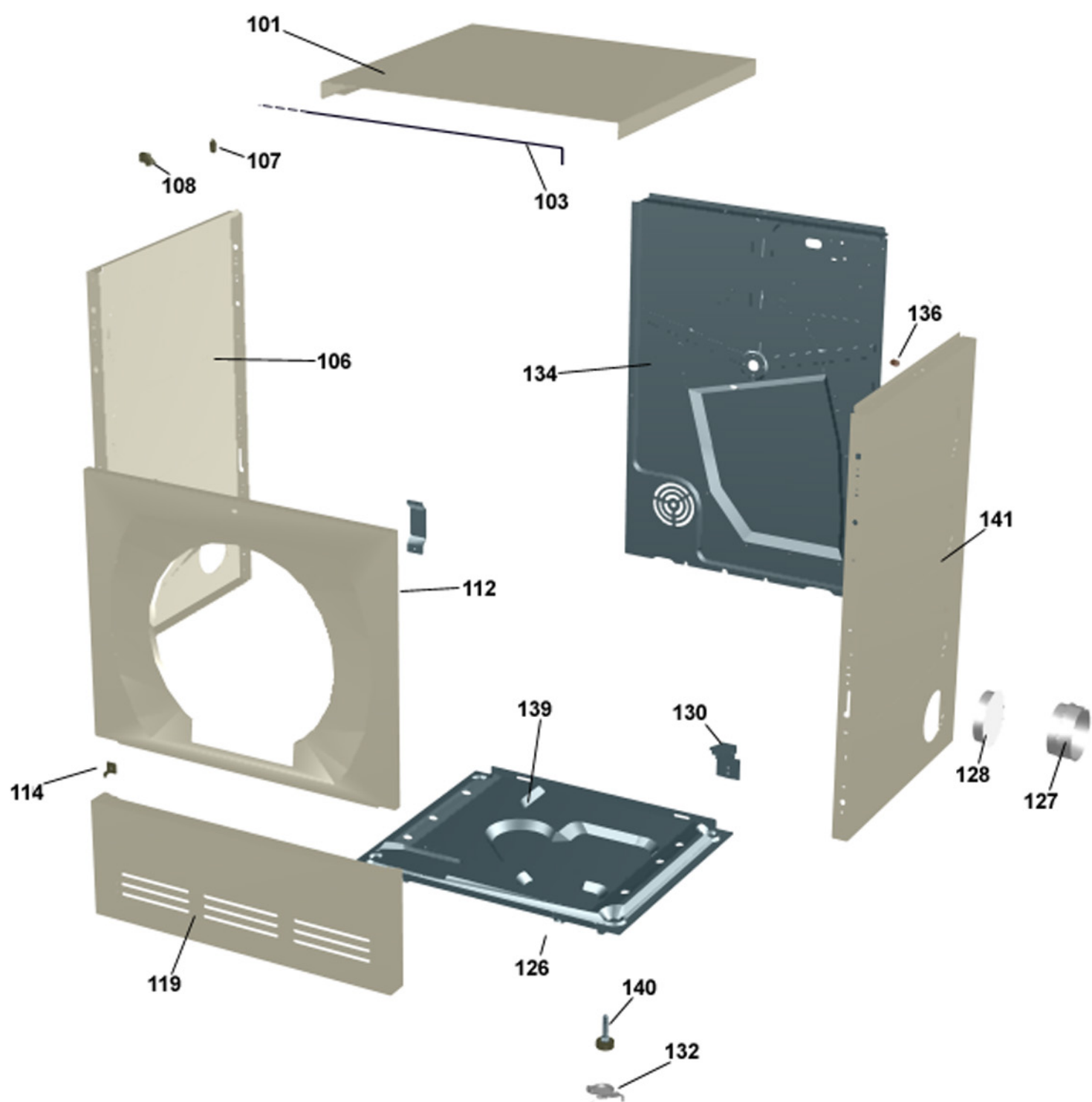
## Spare Parts Catalogue

Dryers \ 700 Series  
Type: TD33US  
Model: T760 US White

Prod. No: 10776010  
April 15th 2005

**AM Appliances Group**

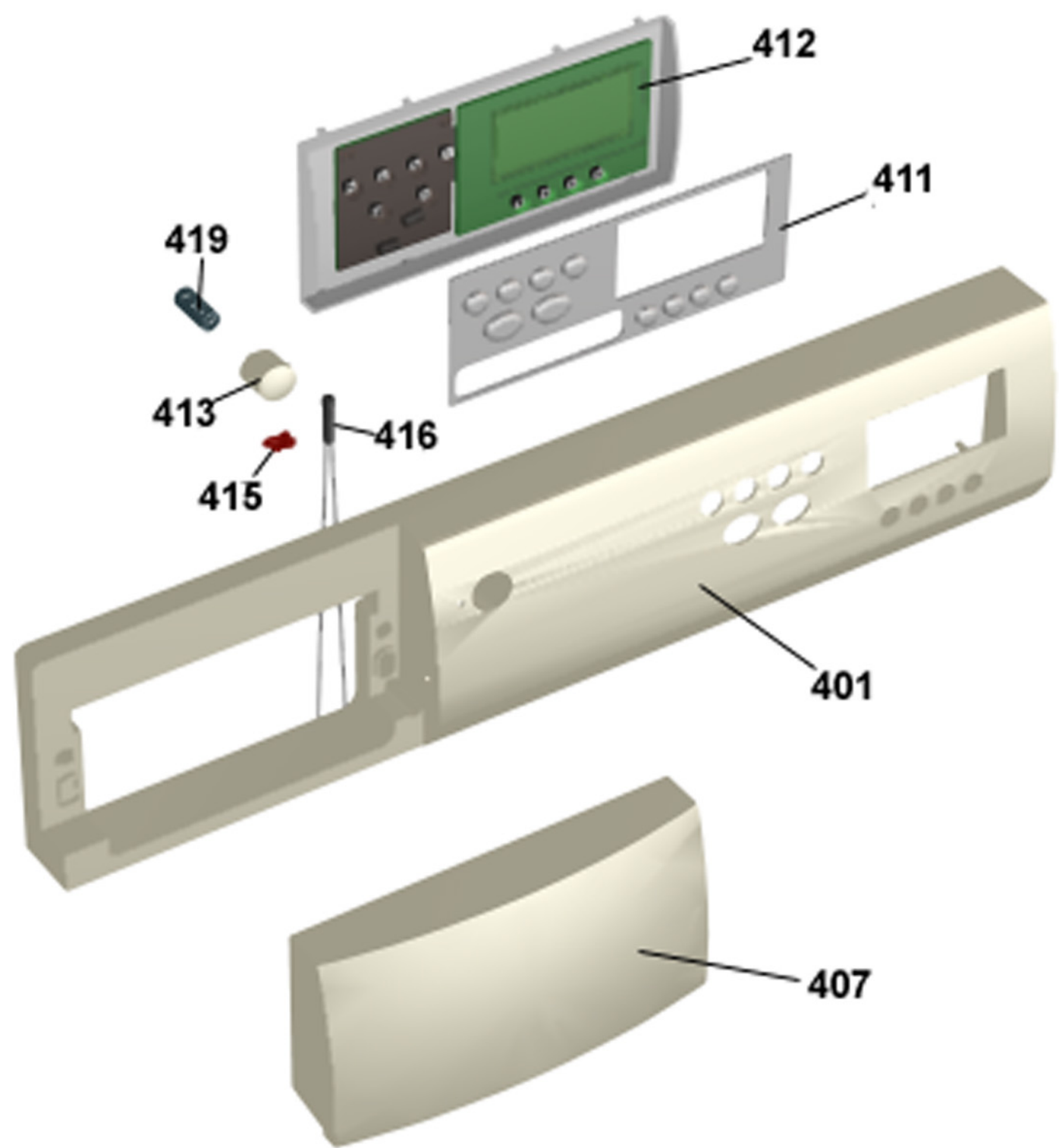
P.O. Box 851805 • Richardson • TX 75085-1805  
789 N. Grove Road • Suite 103 • Richardson • TX 75081



## Outer casing

ASKO, T760 US - White #10776010 (TD33US)

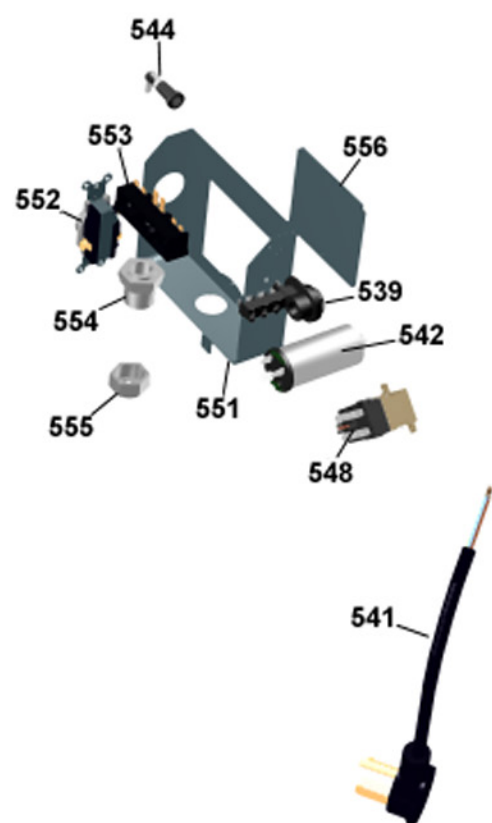
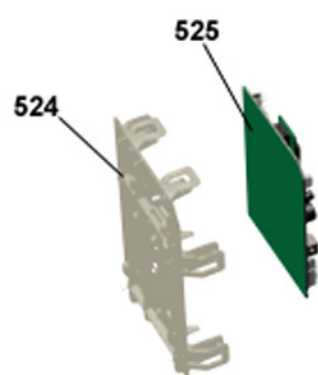
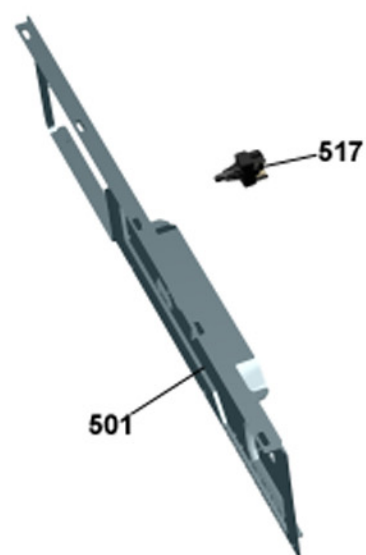
Pos	Spare part No.	Description	Qty	Comment
101	8061817-0	Top White W600s T700s	1 Pcs	
101-a	8900338	Screw 20 Torx Self Tapping	3 Pcs	
101-b	8901413	Lock Washer laundry tops	2 Pcs	
103	8064062	Top Cover Strip	1 Pcs	
106	8801175-0	Panels left side T700 T760	1 Pcs	
107	8061763	Clip Front Plate 600700s	2 Pcs	
108	8061916	CABLE HOLDER WMD20	2 Pcs	
112	8061847-0	Front Plate 700 Series	1 Pcs	
112-a	8900338	Screw 20 Torx Self Tapping	2 Pcs	
112-b	8901413	Lock Washer laundry tops	2 Pcs	
114	8064177	Hook Lower Pane	2 Pcs	
114-a	8900338	Screw 20 Torx Self Tapping	2 Pcs	
119	8801247-0	Lower Cover w/Holes	1 Pcs	
127	8052641	Collar Vent Exhaust TD	1 Pcs	
128	8052640-0-UL	LID EXHAUST CANAL WHITE UL4	2 Pcs	
130	8053980	STACKING Bracket ALL TDs Mus	2 Pcs	
132	8064114	Holders Dryer Feet Stacking	1 Pcs	
134	8064196	REAR PANEL OUTER PUNCHED	1 Pcs	
134-a	8900338	Screw 20 Torx Self Tapping	10 Pcs	
136	8061915	Cable Holder T700	1 Pcs	
139	8061618	BASE PAN WMD20	1 Pcs	
140	8059334	Leveling Leg Comp. WMD 20	4 Pcs	
141	8801176-0	Panel R Side w/Hole T700	1 Pcs	



## ***Control panel***

**ASKO, T760 US - White #10776010 (TD33US)**

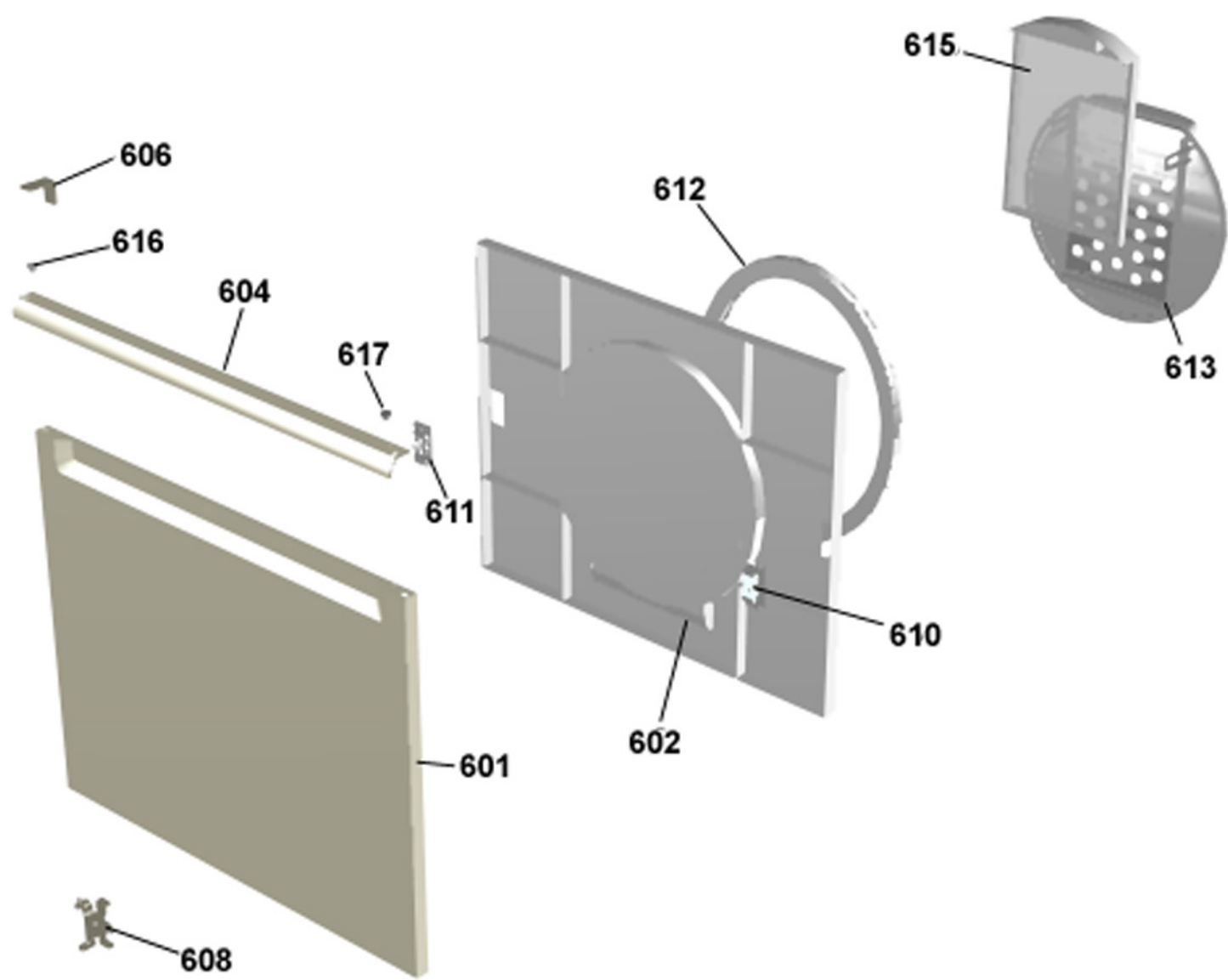
<b>Pos</b>	<b>Spare part No.</b>	<b>Description</b>	<b>Qty</b>	<b>Comment</b>
401	8063458-0-UL	Control Panel T760 White	1 Pcs	
401-a	8901591	Clip/Panel 600700s	4 Pcs	
407	8061846-0-UL	Discontinued	0 Pcs	
411	8064276-0	Push button w/print TD33/44	1 Pcs	
412	8076271	Panel Board 6000	1 Pcs	
413	8061902-0	On/Off Button 600/700 Series	1 Pcs	
415	8061822	Decor Lens 06 Laundry	1 Pcs	
416	8060478	Ind. Lamp 600s WM	1 Pcs	
419	8061857	Spring Main Switch WMD 20	1 Pcs	
490	8063857	INSTR GENERAL TD20 US/CA	1 Pcs	



## Upper session

### ASKO, T760 US - White #10776010 (TD33US)

Pos	Spare part No.	Description	Qty	Comment
501	8061690	Front Beam 600/700 Series	1 Pcs	
501-a	8900338	Screw 20 Torx Self Tapping	2 Pcs	
501-b	8901413	Lock Washer laundry tops	2 Pcs	
501-c	8902087	Screw Plastic Housing 20 Torx	2 Pcs	
517	8061875	Switch ON/OFF WM20	1 Pcs	
524	8061921	Holder Prog Control WMD600/700	1 Pcs	
525	8061856	Control Board 760/780	1 Pcs	
529	8086600-1	Basic Harness	1 Pcs	
539	8061660	Terminal Block 5Pole	1 Pcs	
539-a	8901097	Screw Terminal	1 Pcs	
542	8058558	RFI 05/06 WM	1 Pcs	
542-a	8901155	Nut	1 Pcs	
542-b	8901419	Lock Washer	1 Pcs	
544	8065573	FUSE HOLDER GREY 15A US/CA	2 Pcs	
544-a	8058140	BK/MDA15 Fuse All laundry	2 Pcs	
544-b	8055725	Hub Fuse Holder	2 Pcs	
544-c	8054613	Fuse Holder Laundry	2 Pcs	
548	8064179	Relay 10 terminals WM	1 Pcs	
551	8065734	EL. BOX USA TD21	1 Pcs	
551-a	8901097	Screw Terminal	1 Pcs	
552	8061033	Subs to 8061455	1 Pcs	
553	8061891	Terminal Block DryerTD 20	1 Pcs	
554	8060462	Grommet	1 Pcs	
555	8060463	Lock Nut	1 Pcs	
556	8063756	Cover Terminal block T700s	1 Pcs	
556-a	8901097	Screw Terminal	1 Pcs	

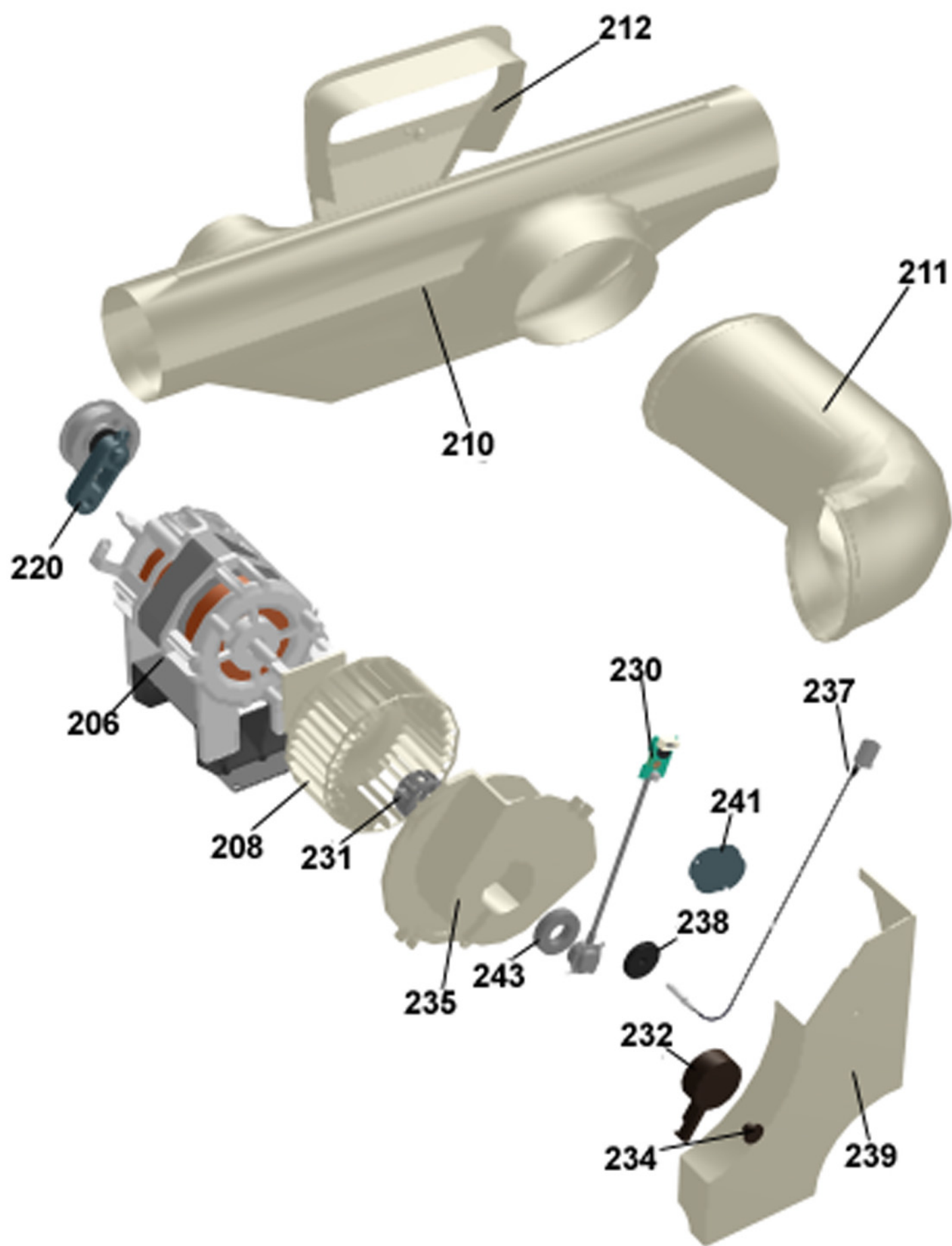




## Outer door

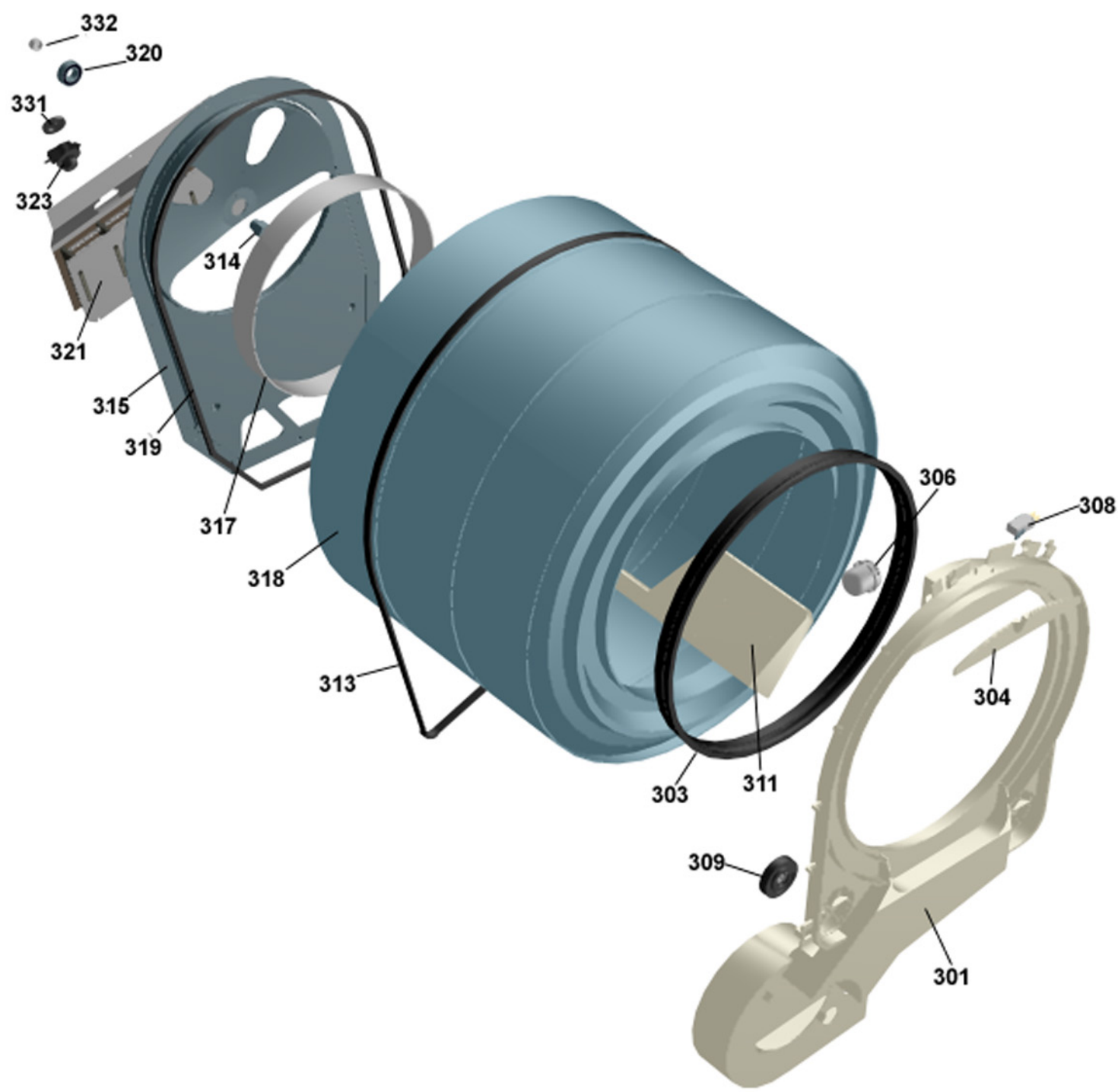
ASKO, T760 US - White #10776010 (TD33US)

Pos	Spare part No.	Description	Qty	Comment
601	8061733-0	Outer Door 600/700 Series	1 Pcs	
602	8061810	Inner Door Dryer T700 Series	1 Pcs	
602-a	8902068	Screw	5 Pcs	
604	8061813-0	Door Handle T700	1 Pcs	
606	8061803-0	Hinge Pin Upper compl. 700s	1 Pcs	
606-a	8901097	Screw Terminal	2 Pcs	
606-b	8901619	Pop Rivet Det Comp	1 Pcs	
608	8061807-0	Lower Hinge Lower Compl.	1 Pcs	
608-a	8900338	Screw 20 Torx Self Tapping	2 Pcs	
608-b	8901097	Screw Terminal	1 Pcs	
610	8061878	Magnet Door T700s	1 Pcs	
611	8061886	Lock Holder T700 Series	0 Pcs	
612	8061815	Seal Dryer Door T700s	1 Pcs	
613	8065840	Filter Holder Compl.	1 Pcs	
615	8061812	Double Lint filter 700s	1 Pcs	
616	8061865-0	Bushing Hinge Pin T700s	2 Pcs	
617	8061953-0	Door Plug T700s	1 Pcs	



**Lower session****ASKO, T760 US - White #10776010 (TD33US)**

<b>Pos</b>	<b>Spare part No.</b>	<b>Description</b>	<b>Qty</b>	<b>Comment</b>
206	8061895	Motor Dryer 700s	1 Pcs	
206-a	8901969	Screw	4 Pcs	
208	8055200	Blower Dryer Front All	1 Pcs	
208-a	8901192	Locking Nut WM 03/05	1 Pcs	
210	8057037	Subs to 8052638	1 Pcs	
211	8052639	Exhaust Canal Bend	1 Pcs	
212	8061956	Cap 700 Series	1 Pcs	
212-a	8902087	Screw Plastic Housing 20 Torx	2 Pcs	
220	8801214	TENSION ARM W.BALL BEARING	1 Pc's	
228	33700183	Terminal	1 Pcs	
228-a	8901097	Screw Terminal	1 Pcs	
228-b	8901413	Lock Washer laundry tops	1 Pcs	
230	8061855	Humidity Sensor 760780	1 Pcs	
230-a	8902042	Screw Protective Cover Dryer	2 Pcs	
231	8061943	Guard for Humidity sen.	1 Pcs	
232	8061944	Guard Hum. Sensor	1 Pcs	
234	8061959	Plug Hum. Sensor	2 Pcs	
235	8061899	Fan Casing Lid T700	1 Pcs	
235-a	8902042	Screw Protective Cover Dryer	2 Pcs	
237	8061900	Thermistor 760780	1 Pcs	
238	8053050	GROMMET	1 Pcs	
239	8076948	PROTECTION FAN HOUSE ASM	1 Pc's	
239-a	8902042	Screw Protective Cover Dryer	1 Pcs	
241	8900369	Screw T25	1 Pcs	
241	8050091	Cover Plate	1 Pcs	
242	8064184	SEALING COVER FAN HOUSE	1 Pcs	
243	8063897	SEALING HUMIDITY SENSOR	1 Pcs	
246	8058323	SHAFT SEAL DRYER	1 Pcs	



## Cylinder and related parts

ASKO, T760 US - White #10776010 (TD33US)

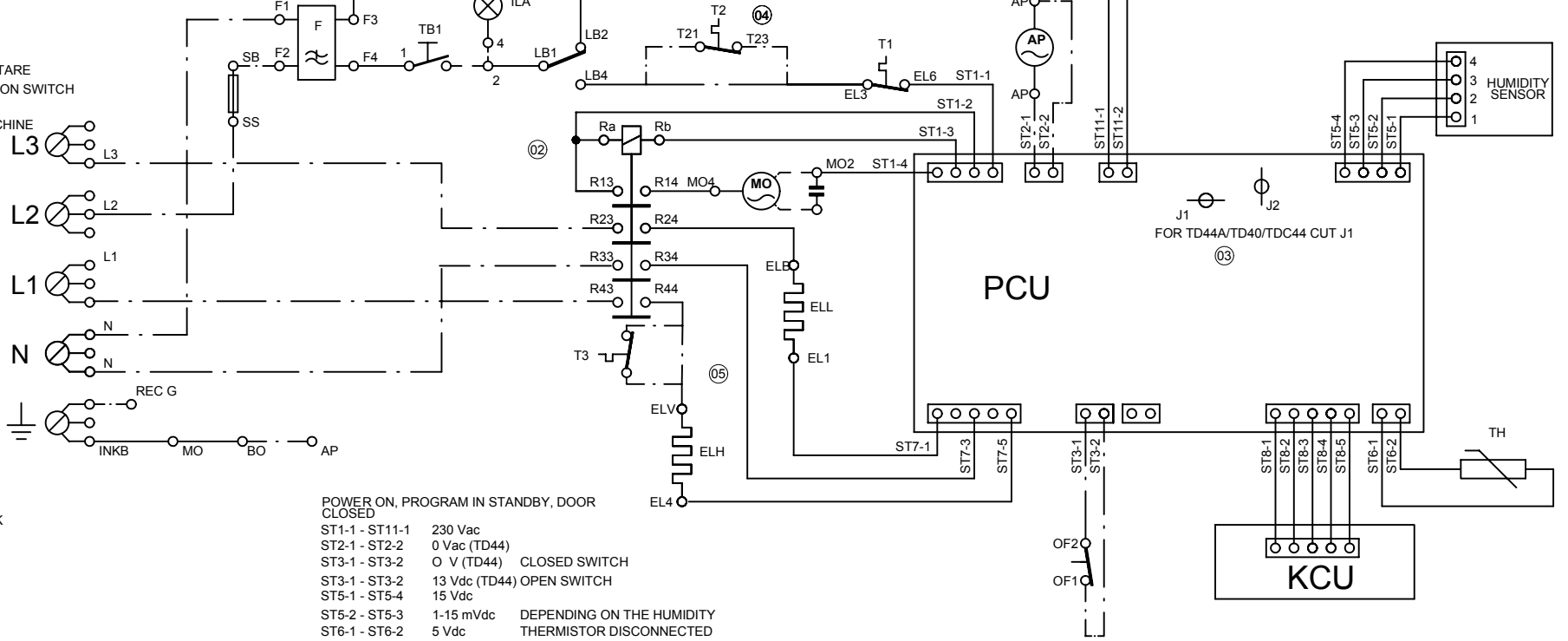
Pos	Spare part No.	Description	Qty	Comment
301	8801216	Front frame compl. TD21	1 Pcs	
301-a	8902066	Screw	4 Pcs	
303	8061821	Front Felt Seal T700	1 Pcs	
304	8061932	Lamp Housing Lid	1 Pcs	
306	8061887	Lamp Chimney	1 Pcs	
308	8053107	Micro Switch Dryer 03/05	1 Pcs	
309	8052622	Drum Roller Frt. TD	1 Pcs	
311	8052589	Paddle	2 Pcs	
311-a	8902099	Screw	5 Pcs	
313	8065710	Belt 700s	1 Pcs	
314	8052632	Bushing Rear Drum 03/05 TD	1 Pcs	
315	8061851	Rear Panel Inner T700	1 Pcs	
315-a	8900369	Screw T25	13 Pcs	
317	8064440	Felt sealing rear	1 Pcs	
318	8061800	Cylinder Dryer TD20 Comp.	1 Pcs	
319	8059712	Rubber Strip	1 Pcs	
320	8004439	Bearing Dryer Rear Panel All	1 Pcs	
321	8063808	Heater Element 2500 W700s	1 Pcs	
321-a	8900369	Screw T25	2 Pcs	
323	8008487	TStat Man. Reset TD	1 Pcs	
323-a	8900369	Screw T25	1 Pcs	
331	8052650	Diaphragm Overheat	1 Pcs	
332	8064151	CAP OF BOLT	1 Pcs	

S:\UW\wmd20\1\_TryckunderlagiKopplingschema8061866 TD33\_44, TDC33\_441866-06ejskickad.dft , pesv , 2003-01-21 09:16:06

- ELL: VÄRMEELEMENT, LAG EFFEKT  
HEATER, LOW POWER
- ELH: VÄRMEELEMENT, HÖG EFFEKT  
HEATER, HIGH POWER
- T1: TERMOSTAT  
THERMOSTAT
- T2: TERMOSTAT  
THERMOSTAT
- T3: TERMOSTAT  
THERMOSTAT
- OF: ÖVERSVÄMNINGSBRYTARE  
OVERFLOW PROTECTION SWITCH
- REC: UTTAG TVÄTTMASKIN  
OUTLET WASHING-MACHINE
- BO: BOTTEN  
BOTTOM
- ILA: INDIKERINGSLAMPA  
INDICATION LAMP
- R: RELÄ  
RELAY
- S: SÄKRING  
FUSE
- F: FILTER  
FILTER
- AP: AVLOPPSPUMP  
DRAIN PUMP
- MO: MOTOR  
MOTOR
- TH: THERMISTOR  
THERMISTOR
- BE: BELYSNING  
ILLUMINATION
- LB: LUCKBRYTARE  
DOOR SWITCH
- INKB: LUCKBRYTARE  
LUCKBRYTARE
- INKB: INKOPPLINGSPLINT  
INKOPPLINGSPLINT

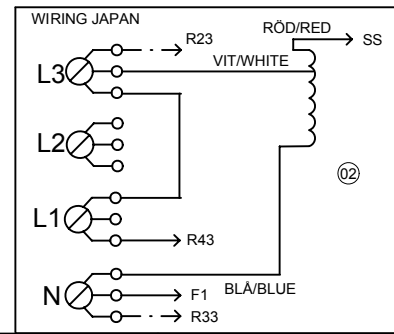
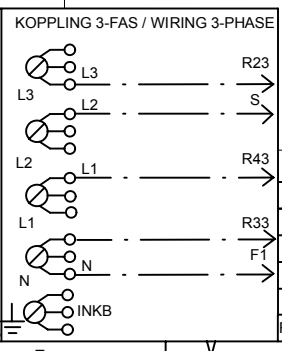
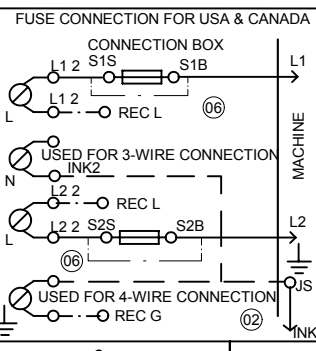
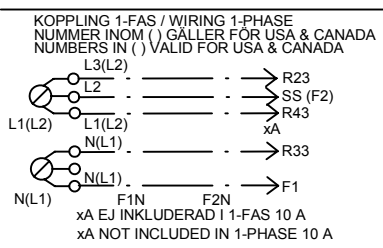
- TB: TRYCKBRYTARE  
PUSH BUTTON SWITCH
- PCU: PROGRAM CONTROL UNIT  
PROGRAM KONTROLLENHET
- KCU: KNAPPSATS MED DISPLAY  
KNAPPSATS MED DISPLAY
- USERS INTERFACE

--- INTERNAL CONNECTION  
--- INTERN KOPPLING  
- - - ALTERNATIVE WIRING  
- - - ALTERNATIV KOPPLING



- POWER ON, PROGRAM IN STANDBY, DOOR CLOSED
- ST1-1 - ST11-1 230 Vac
  - ST2-1 - ST2-2 0 Vac (TD44)
  - ST3-1 - ST3-2 0 V (TD44) CLOSED SWITCH
  - ST3-1 - ST3-2 13 Vdc (TD44) OPEN SWITCH
  - ST5-1 - ST5-4 15 Vdc
  - ST5-2 - ST5-3 1-15 mVdc DEPENDING ON THE HUMIDITY
  - ST6-1 - ST6-2 5 Vdc THERMISTOR DISCONNECTED
  - ST7-1 - ST7-3 0 v
  - ST7-5 - ST7-3 0 v
  - ST8-1 - ST8-2 13 Vdc
  - ST8-3 DATA IN
  - ST8-4 CLOCK
  - ST8-5 DATA OUT

- PROGRAM RUNNING,
- ST1-1 - ST11-1 230 Vac
  - ST1-1 - ST1-3 230 Vac
  - ST1-1 - ST1-4 230 Vac
  - ST2-1 - ST2-2 230 Vac (TD44) 30 SECONDS EACH 4 MINUTES
  - ST3-1 - ST3-2 0 V (TD44) CLOSED SWITCH
  - ST3-1 - ST3-2 13 Vdc (TD44) OPEN SWITCH
  - ST5-1 - ST5-4 15 Vdc
  - ST5-2 - ST5-3 1-15 mVdc DEPENDING ON THE HUMIDITY
  - ST6-1 - ST6-2 5 Vdc THERMISTOR DISCONNECTED
  - ST7-1 - R24 230 Vac HEATER ON
  - ST7-5 - R44 230 Vac HEATER ON
  - ST8-1 - ST8-2 13 Vdc DATA IN
  - ST8-3 CLOCK
  - ST8-4 CLOCK
  - ST8-5 DATA OUT



This document must not be copied without our written permission, and the contents thereof must not be imparted to a third party without the prior written permission of Askocylinda AB.

Rev ind	Revision	Appd	Year	Week
06	Added alt. solution without fuses Removed wiring without Neutral	PS	05	03
05	Additional thermostat added	PS	03	03
04	Additional thermostat added	SS	01	27
03	TD44A/TD40 was TD44, TD33/44	MS	01	22
02	Wiring Japan added, JS added, MO4 changed	PS	99	26
01	ST2-1 - ST2-2 was 230	HT	99	02

Pos.	Qty	Part No.	Name of item	Material
Material		Dens.Kg/dm3		Dimensions, Type, etc.
Scale		Gen.tolerance		Description(ENG)
Designed by		Gen.tol.Angle		Description(SE)
Released by		Iss by Dept   Year   Week		
		UT   98   05		
<b>ASKO CYLINDA</b>				
<b>80 618 66 06</b>				Rev Ind
				Replace
				8061866 rev:05
				Project