

This Owner's Manual is provided and hosted by [Appliance Factory Parts](#).



Black & Decker PHV1810 Owner's Manual

[Shop genuine replacement parts for Black & Decker
PHV1810](#)



[Find Your Black & Decker Vacuum Cleaner Parts - Select From 339 Models](#)

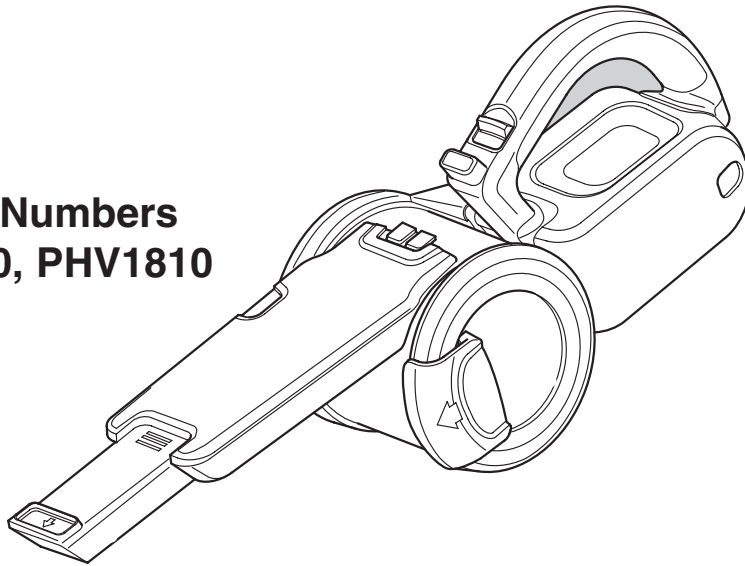
----- Manual continues below -----



Cordless Hand Vac

INSTRUCTION MANUAL

Catalog Numbers
PHV1210, PHV1810



**Thank you for choosing Black & Decker!
Go to www.BlackandDecker.com/NewOwner
to register your new product.**

**PLEASE READ BEFORE RETURNING THIS
PRODUCT FOR ANY REASON:**

If you have a question or experience a problem with your Black & Decker purchase, go to
[HTTP://WWW.BLACKANDDECKER.COM/INSTANTANSWERS](http://WWW.BLACKANDDECKER.COM/INSTANTANSWERS)

for instant answers 24 hours a day.

If you can't find the answer or do not have access to the internet,
call 1-800-544-6986 from 8 a.m. to 5 p.m. EST Mon. -- Fri. to speak with an agent.

Please have the catalog number available when you call.

**To purchase a replacement filter
call 1-888-678-7278.**

**SAVE THIS MANUAL FOR FUTURE REFERENCE.
FOR HOUSEHOLD USE ONLY.**

VEA EL ESPA—OL EN LA CONTRAPORTADA.

INSTRUCTIVO DE OPERACIÓN, CENTROS DE SERVICIO Y PÓLIZA DE GARANTÍA.
ADVERTENCIA: LEASE ESTE INSTRUCTIVO ANTES DE USAR EL PRODUCTO.

SAFETY GUIDELINES - DEFINITIONS

It is important for you to read and understand this manual.

The information it contains relates to protecting YOUR SAFETY and PREVENTING PROBLEMS. The symbols below are used to help you recognize this information.

⚠ DANGER: Indicates an imminently hazardous situation which, if not avoided, will result in death or serious injury.

⚠ WARNING: Indicates a potentially hazardous situation which, if not avoided, could result in death or serious injury.

⚠ CAUTION: Indicates a potentially hazardous situation which, if not avoided, may result in minor or moderate injury.

NOTICE: Used without the safety alert symbol indicates potentially hazardous situation which, if not avoided, may result in property damage.

IMPORTANT SAFETY INSTRUCTIONS

When using an electrical appliances, basic precautions should always be followed, including the following:

READ ALL INSTRUCTIONS BEFORE USING THIS APPLIANCE.

⚠ WARNING: Read all safety warnings and all instructions. Failure to follow the warnings and instructions listed below may result in electric shock, fire and/or serious injury.

⚠ WARNING: Some household dust contains chemicals known to the State of California to cause cancer, birth defects or other reproductive harm such as asbestos and lead in lead based paint.

⚠ WARNING: To reduce the risk of fire, electrical shock or injury:

- **⚠ WARNING:** To reduce the risk of electric shock – Do not use outdoors or on wet surfaces.
- Do not allow to be used as a toy. Close attention is necessary when used by or near children.
- Use only as described in this manual. Use only manufacturer's recommended attachments.
- Do not use with damaged cord or plug. If appliance is not working as it should, has been dropped, damaged, left outdoors, or dropped into water, return it to a service center.
- Do not pull or carry by cord, use cord as a handle, close a door on cord, or pull cord around sharp edges or corners. Do not run appliance over cord. Keep cord away from heated surfaces.
- Do not unplug by pulling on cord. To unplug, grasp the plug, not the cord.
- Do not handle charger, including charger plug, and charger terminals with wet hands.
- Do not put any object into openings. Do not use with any opening blocked; keep free of dust, lint, hair, and anything that may reduce air flow.
- Keep hair, loose clothing, fingers, and all parts of body away from openings and moving parts.
- Use extra care when cleaning on stairs.
- Do not use to pick up flammable or combustible liquids, such as gasoline, or use in areas where they may be present.
- Do not pick up anything that is burning or smoking, such as cigarettes, matches, or hot ashes.
- Do not use without dust bag and/or filters in place.
- Do not charge the unit outdoors.
- Use only the charger supplied by the manufacturer to recharge.

- Do not incinerate the appliance even if it is severely damaged. The batteries can explode in a fire.
- This appliance is intended for household use only and not for commercial or industrial use.
- Shock Hazard. To protect against risk of electrical shock, do not put unit or charging base in water or other liquid.
- Do not allow the cord to hang over the edge of a table or counter or touch hot surfaces. The unit should be placed or mounted away from sinks and hot surfaces.
- Plug the charger directly into an electrical outlet.
- Use the charger only in a standard electrical outlet (120V/60Hz).
- Unplug the charger from outlet before any routine cleaning or maintenance.
- This product includes rechargeable nickel cadmium batteries. Do not incinerate batteries as they will explode at high temperatures.
- Leaks from battery cells can occur under extreme conditions. If the liquid, which is a 20-35% solution of potassium hydroxide, gets on the skin (1) wash quickly with soap and water or (2) neutralize with a mild acid such as lemon juice or vinegar. If the liquid gets into the eyes, flush them immediately with clean water for a minimum of 10 minutes. Seek medical attention.
- Do not look into the air vents when the unit is switched on, as sometimes there is a possibility of small debris being discharged from the air vents, especially after cleaning / replacement of the filters as debris inside the unit can be disturbed.

SAVE THESE INSTRUCTIONS

Symbols

- The label on your tool may include the following symbols. The symbols and their definitions are as follows:

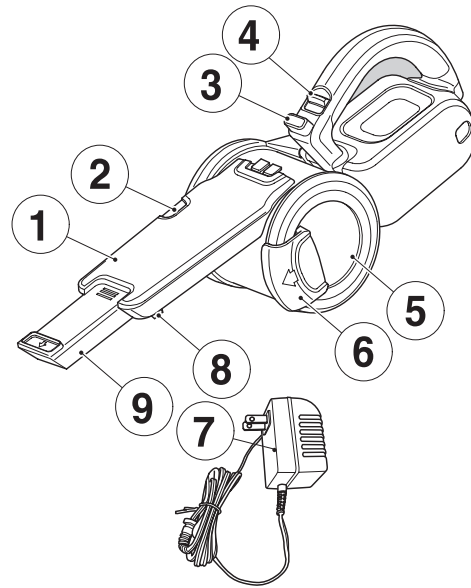
V.....volts	A.....amperes
Hz.....hertz	W.....watts
minminutes	~.....alternating current
—.....direct current	n_0no load speed
ⓘ.....Class I Construction (grounded)	⊖.....earthing terminal
Ⓚ.....Class II Construction (double insulated)	⚠.....safety alert symbol
	.../min or rpm..... revolutions or reciprocation per minute

- When using an extension cord, be sure to use one heavy enough to carry the current your product will draw. An undersized cord will cause a drop in line voltage resulting in loss of power and overheating. The following table shows the correct size to use depending on cord length and nameplate ampere rating. If in doubt, use the next heavier gauge. The smaller the gauge number, the heavier the cord.

Volts	Minimum Gauge for Cord Sets			
	Total Length of Cord in Feet			
120V	0-25	26-50	51-100	101-150
	(0-7,6m)	(7,6-15,2m)	(15,2-30,4m)	(30,4-45,7m)
240V	0-50	51-100	101-200	201-300
	(0-15,2m)	(15,2-30,4m)	(30,4-60,9m)	(60,9-91,4m)
Ampere Rating		American Wire Gauge		
More Than	Not more Than			
0 - 6	18	16	16	14
6 - 10	18	16	14	12
10 - 12	16	16	14	12
12 - 16	14	12	Not Recommended	

Product Features

1. Dust collector
2. Dust container release button
3. Pivot lock button
4. On/off switch
5. Container door
6. Container door release latch
7. Charger
8. Flip-out brush
9. Dust collector extension

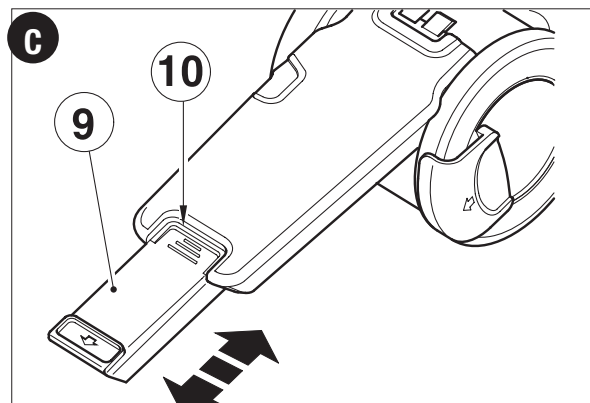
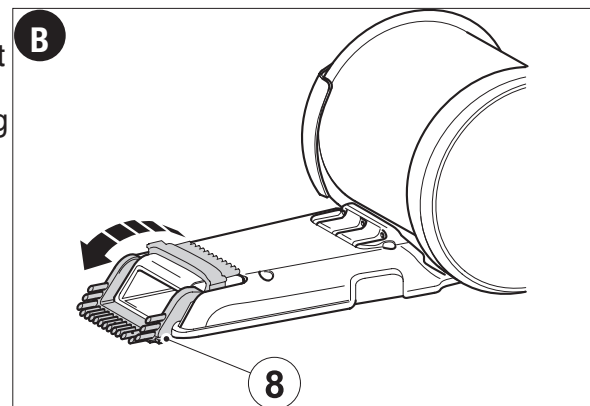
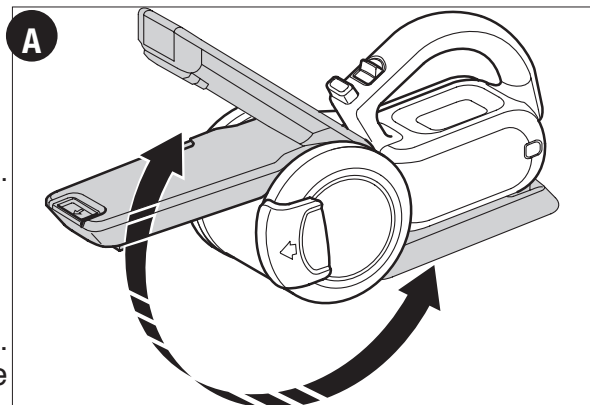


Assembly

Adjusting the dust collector (fig. A - C)

The dust collector (1) has a brush that can be folded forward for dusting and upholstery cleaning.

- The dust collector (1) is stored under the appliance. To adjust for use, unplug the appliance from the charger (7).
- Press the pivot lock button (3) and rotate the dust collector (1) to the required position.
- Release the pivot lock button (3) to lock the dust collector in position
- The dust collector can be extended by pulling the dust collector extension (9) until it locks into position.
- The extension can be retracted by pressing the button (10) and pushing the extension back into the dust collector.
- The dust collector should be returned to the storage position under the appliance after use and while charging the appliance.



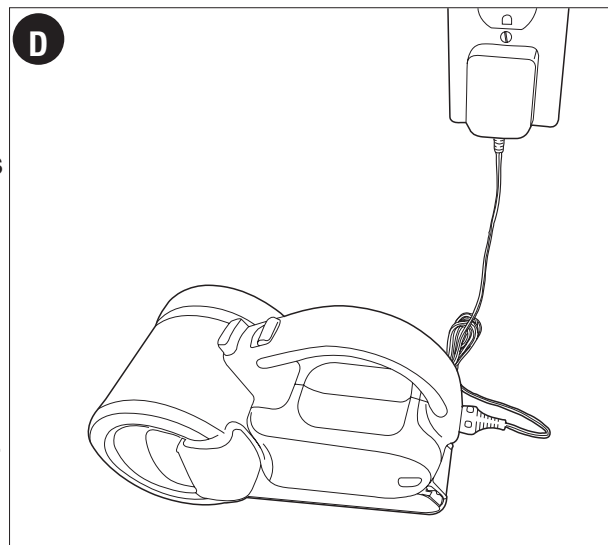
Use

- Before first use, the battery must be charged for at least 24 hours.
- Plug the appliance into the charger whenever power gets low.

Charging the battery (fig. D)

- Make sure that the appliance is switched off. The battery will not be charged with the on/off switch (4) in the on position.
- Plug the appliance into the charger (7) as shown. The charging indicator will be lit.
- Leave the appliance on charge for at least 24 hours.

While charging, the charger may become warm. This is normal and does not indicate a problem. The appliance can be left connected to the charger indefinitely. The charging indicator will be lit as long as the appliance is connected to the plugged-in charger.



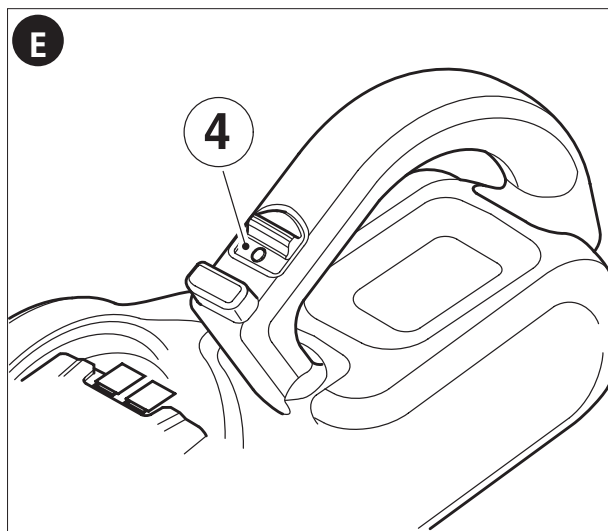
⚠ WARNING: Do not charge the battery at ambient temperatures below 39°F (4°C) or above 104°F (40°C).

Switching on and off (fig. E)

- To switch the appliance on, slide the on/off switch (4) forward to position I.
- To switch the appliance off, slide the on/off switch (4) back to position 0.

Optimizing the suction force

Rotating the bowl (fig. A) agitates the filter to remove dirt; however, in order to keep the suction force optimized, the dust container and filters must be cleaned regularly.



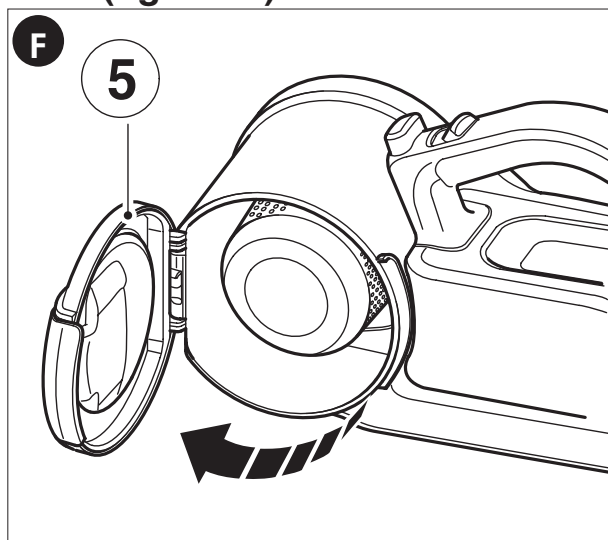
Cleaning the dust container and filters (fig. F - K)

There are two methods of cleaning the bowl, a quick empty method and a thorough clean method.

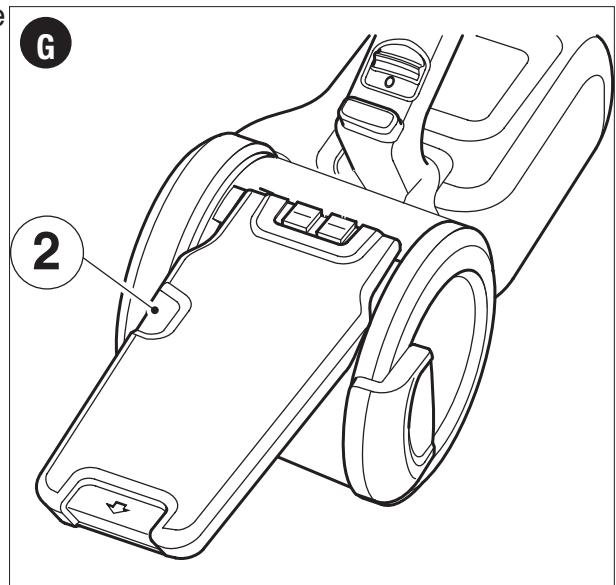
For the quick empty method use the following instructions.

- Press the release latch (6) and open the container door (5) (fig. F).
- Empty the dust container (11).
- Close the dust container door (5). Make sure that the release latch (6) clicks into place.

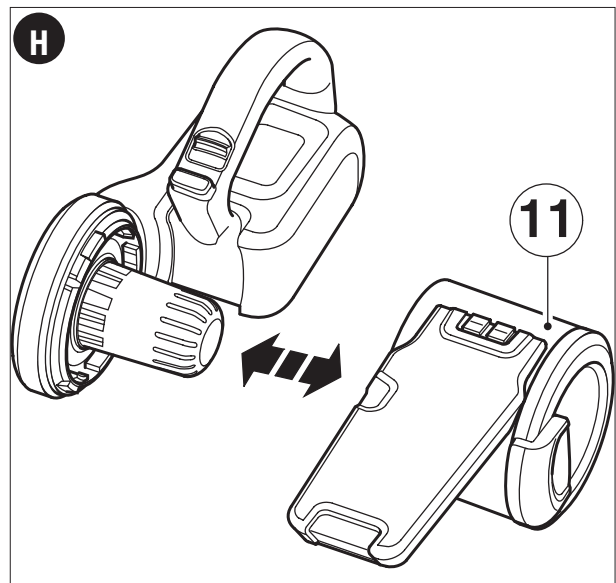
For the thorough clean method use the following instructions.



- The dust container (11) is attached to the body of the appliance with a bayonet fixing. To remove the dust container, press the dust container release button (2) and rotate the dust container (11) counterclockwise and carefully slide the dust container clear of the appliance.
- Rotate the filter hook (12) to the vertical position (fig. I).
- Use the filter hook (12) to rotate the filter (13) within the pre-filter (14) to agitate it and remove dirt.
- Remove the main filter (13).
- Brush any loose dust off the filter (13).



- The pre-filter (14) is attached with a bayonet fixing. To remove the pre-filter, rotate the pre-filter (14) counterclockwise and carefully slide it clear of the dust container.
- The dust container can be cleaned. Wipe with a damp cloth or rinse with warm soapy water and allow to dry.
- The filters are re-usable and should be cleaned regularly. Rinse with warm soapy water and allow to dry.
- Install the pre-filter (14) into the dust container (11) rotating it clockwise until it locks into place.
- Install the main filter (13) into the pre-filter (14).
- Install the dust container (11) to the appliance, rotate it clockwise until it locks into place.

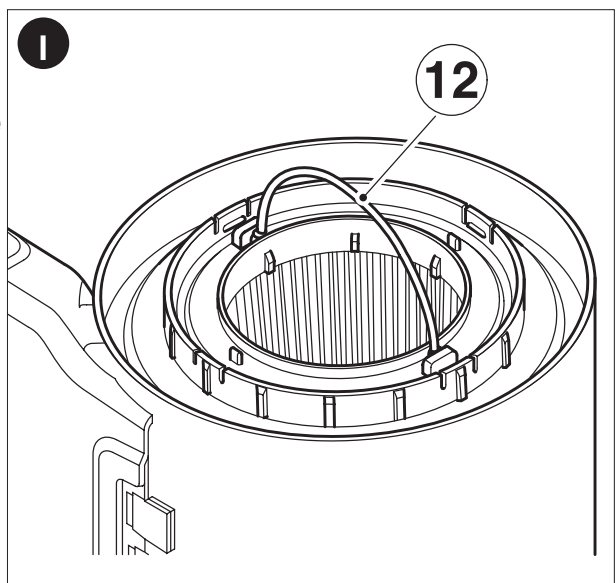


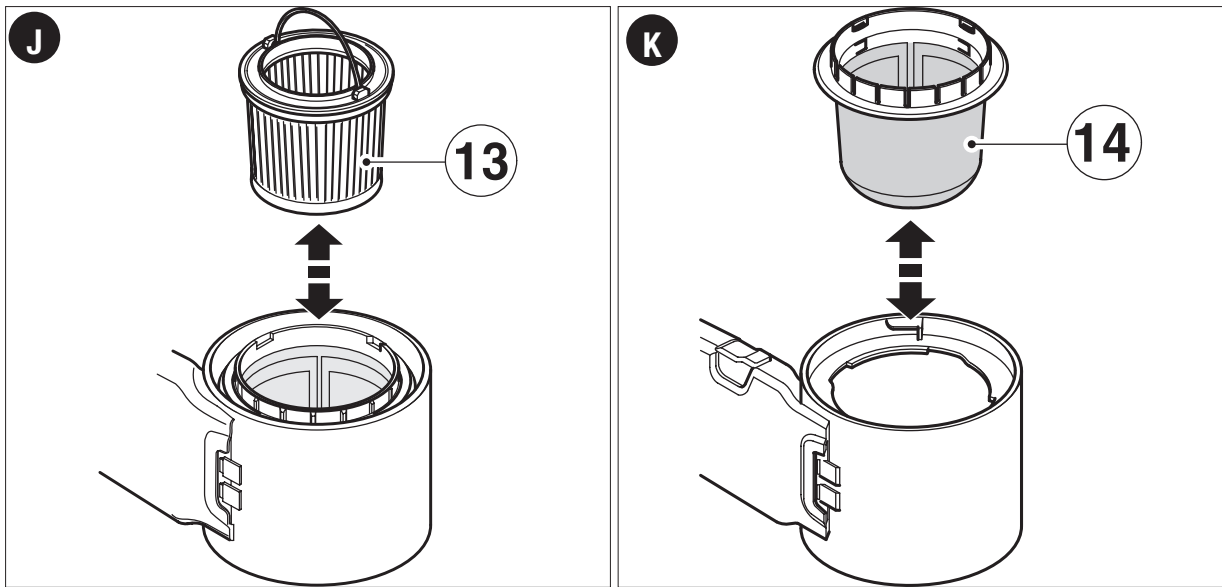
⚠ WARNING: Projectile/Respiratory Hazard: Never use the appliance without the filters. Optimum dust collection will only be achieved with clean filters.

Replacing the filters

The filters should be replaced every 6 to 9 months and whenever worn or damaged. Replacement filters are available from your Black & Decker dealer (cat. no. PVF110):

- Remove the old filters as described above.
- Fit the new filters as described above.





Maintenance

Use only mild soap and damp cloth to clean the tool. Never let any liquid get inside the tool; never immerse any part of the tool into a liquid.

IMPORTANT: To assure product SAFETY and RELIABILITY, repairs, maintenance and adjustment (other than those listed in this manual) should be performed by authorized service centers or other qualified service personnel, always using identical replacement parts.

Troubleshooting

Problem

- Unit will not start.
- Battery will not charge.

Possible Cause

- Battery not charged.
- Charger not plugged in.
- Surrounding air temperature too hot or too cold.

Possible Solution

- Check battery charging requirements.
- Plug charger into a working outlet. Refer to "Important Charging Notes" for more details.
- Check current at receptacle by plugging in a lamp or other appliance.
- Check to see if receptacle is connected to a light switch which turns power off when you turn out the lights.
- Move charger and tool to a surrounding air temperature of above 40 degrees F (4.5°C) or below 105 degrees F (+40.5°C).

For assistance with your product, visit our website www.blackanddecker.com for the location of the service center nearest you or call the BLACK & DECKER help line at **1-800-544-6986**.

Accessories

Recommended accessories for use with your tool are available from your local dealer or authorized service center. If you need assistance regarding accessories, please call:

1-800-544-6986.

⚠ WARNING: The use of any accessory not recommended for use with this tool could be hazardous.

BATTERY REMOVAL AND DISPOSAL

This product uses nickel-cadmium (Ni-Cd) rechargeable and recyclable batteries. When the batteries no longer hold a charge, they should be removed from the Vac and recycled. They must not be incinerated or composted.

The batteries can be taken for disposal to a Black & Decker, Company-Owned or Authorized Service Center. Some local retailers are also participating in a national recycling program (see "RBRC™ Seal"). Call your local retailer for details. If you bring the batteries to a Black & Decker Company-Owned or Authorized Service Center, the Center will arrange to recycle old batteries. Or, contact your local municipality for proper disposal instructions in your city/town.

To remove the battery pack for disposal:

- 1.) First, before attempting to disassemble the product, turn it on and leave it on until the motor completely stops insuring a complete discharge of the batteries.
- 2.) Ensure nozzle is rotated out of storage position.
- 3.) Using a phillips screwdriver, remove the seven screws securing the two housing halves.
- 4.) Lift the housing cover away from the assembly.
- 5.) Remove the single screw which secures the motor assembly. (located at bottom of unit, adjacent to the bowl.
- 6.) Lift out the motor assembly.
- 7.) Remove the three screws in the cover and lift the cover off of the assembly exposing the batteries.
- 8.) Detach motor connections and lift motor away from assembly.
- 9.) Detach all lead connections and remove batteries from battery casing.
- 10.) Dispose of batteries as per recommended guidelines.

The RBRC™ Seal

The RBRC™ (Rechargeable Battery Recycling Corporation) Seal on the nickel-cadmium battery (or battery pack) indicates that the costs to recycle the battery (or battery pack) at the end of its useful life have already been paid by Black & Decker. In some areas, it is illegal to place spent nickel-cadmium batteries in the trash or municipal solid waste stream and the RBRC program provides an environmentally conscious alternative.

RBRC in cooperation with Black & Decker and other battery users, has established programs in the United States and Canada to facilitate the collection of spent nickel-cadmium batteries. Help protect our environment and conserve natural resources by returning the spent nickel-cadmium battery to an authorized Black & Decker service center or to your local retailer for recycling. You may also contact your local recycling center for information on where to drop off the spent battery, or call **1-800-8-BATTERY**.



Service Information

All Black & Decker Service Centers are staffed with trained personnel to provide customers with efficient and reliable power tool service. Whether you need technical advice, repair, or genuine factory replacement parts, contact the Black & Decker location nearest you. To find your local service location, refer to the yellow page directory under "Tools—Electric" or call: **1-800-544-6986** or visit **www.blackanddecker.com**

Full Two-Year Home Use Warranty

Black & Decker (U.S.) Inc. warrants this product for two years against any defects in material or workmanship. The defective product will be replaced or repaired at no charge in either of two ways.

The first, which will result in exchanges only, is to return the product to the retailer from whom it was purchased (provided that the store is a participating retailer). Returns should be made within the time period of the retailer's policy for exchanges (usually 30 to 90 days after the sale). Proof of purchase may be required. Please check with the retailer for their specific return policy regarding returns that are beyond the time set for exchanges.

The second option is to take or send the product (prepaid) to a Black & Decker owned or authorized Service Center for repair or replacement at our option. Proof of purchase may be required. Black & Decker owned and authorized Service Centers are listed under "Tools-Electric" in the yellow pages of the phone directory and on our website **www.blackanddecker.com**.

This warranty does not apply to accessories. This warranty gives you specific legal rights and you may have other rights which vary from state to state. Should you have any questions, contact the manager of your nearest Black & Decker Service Center. This product is not intended for commercial use.

FREE WARNING LABEL REPLACEMENT: If your warning labels become illegible or are missing, call 1-800-544-6986 for a free replacement.

LATIN AMERICA: This warranty does not apply to products sold in Latin America. For products sold in Latin America, check country specific warranty information contained in the packaging, call the local company or see the website for warranty information.

Imported by
Black & Decker (U.S.) Inc.,
701 E. Joppa Rd.
Towson, MD 21286 U.S.A.



See 'Tools-Electric'
– Yellow Pages –
for Service & Sales



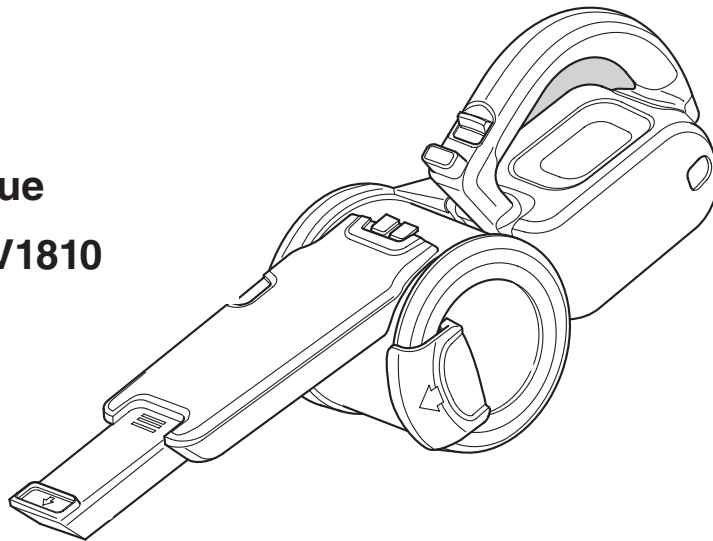


ASPIRATEUR PORTATIF SANS FIL 18 V

MODE D'EMPLOI

N° de catalogue

PHV1210, PHV1810



**Merci d'avoir choisi Black & Decker!
Consulter le site Web [www.BlackandDecker.com/
NewOwner](http://www.BlackandDecker.com/NewOwner)
pour enregistrer votre nouveau produit.**

**à LIRE avant de retourner ce produit
pour quelque raison que ce soit :**

Si des questions ou des problèmes surgissent après l'achat d'un produit Black & Decker,
consulter le site Web

**[HTTP://WWW.BLACKANDDECKER.COM/INSTANTANSWERS](http://www.blackanddecker.com/instantanswers)
pour obtenir des réponses instantanément 24 heures par jour.**

Si la réponse est introuvable ou en l'absence d'accès à Internet, composer le
1-800-544-6986 de 8 h à 17 h HNE, du lundi au vendredi, pour parler avec un agent.

Prière d'avoir le numéro de catalogue sous la main lors de l'appel.

**Pour l'achat d'un filtre de rechange composer le
1-888-678-7278.**

**CONSERVER CE MODE D'EMPLOI POUR UN USAGE ULTÉRIEUR.
POUR USAGE DOMESTIQUE SEULEMENT.**

LIGNES DIRECTRICES EN MATIÈRE DE SÉCURITÉ - DÉFINITIONS

Il est important que vous lisiez et compreniez ce mode d'emploi. Les informations qu'il contient concernent VOTRE SÉCURITÉ et visent à ÉVITER TOUT PROBLÈME. Les symboles ci-dessous servent à vous aider à reconnaître cette information.

⚠ DANGER : Indique une situation dangereuse imminente qui, si elle n'est pas évitée, causera la mort ou des graves blessures.

⚠ AVERTISSEMENT : Indique une situation potentiellement dangereuse qui, si elle n'est pas évitée, pourrait causer la mort ou de graves blessures.

⚠ MISE EN GARDE : Indique une situation potentiellement dangereuse qui, si elle n'est pas évitée, pourrait causer des blessures mineures ou modérées.

MISE EN GARDE : Utilisé sans le symbole d'alerte à la sécurité, indique une situation potentiellement dangereuse qui, si elle n'est pas évitée, peut résulter en des dommages à la propriété.

CONSIGNES DE SÉCURITÉ IMPORTANTES

Lors de l'utilisation d'appareils électriques, toujours observer des précautions de base, notamment les suivantes :

LIRE TOUTES LES CONSIGNES AVANT D'UTILISER L'APPAREIL ÉLECTRIQUE.

⚠ AVERTISSEMENT : Lire tous les avertissements de sécurité et toutes les consignes. Le non-respect des avertissements et des directives ci-dessous peut entraîner des risques de choc électrique, d'incendie ou de blessures graves.

⚠ AVERTISSEMENT : Certaines poussières domestiques contiennent des produits chimiques identifiés par l'État de Californie comme pouvant causer le cancer, des anomalies congénitales et d'autres dangers pour la reproduction, tels que l'amiante et le plomb contenu dans les peintures au plomb.

⚠ AVERTISSEMENT : Pour réduire les risques d'incendie, de choc électrique ou de blessures :

- ⚠ AVERTISSEMENT :** Afin de réduire le risque de choc électrique, ne pas utiliser à l'extérieur ou sur une surface mouillée.
- Ne pas permettre l'utilisation de l'appareil comme jouet. Une étroite surveillance est nécessaire si l'appareil est utilisé par des enfants ou près de ceux-ci.
- Utiliser l'appareil uniquement selon les indications données dans le présent manuel. Utiliser uniquement les accessoires recommandés par le fabricant.
- Ne pas utiliser l'appareil si sa fiche ou son cordon est endommagé. Si un appareil ne fonctionne pas comme il devrait, s'il est tombé au sol ou dans l'eau, s'il est endommagé ou s'il a été laissé à l'extérieur, l'envoyer à un centre de réparation.
- Ne pas tirer sur le cordon, ni transporter l'outil par le cordon, ne pas utiliser le cordon comme poignée, ni fermer une porte dessus, ni tirer le cordon contre des bords tranchants ou des coins. Ne pas passer l'appareil sur le cordon. Tenir le cordon éloigné des surfaces chauffées.
- Ne pas débrancher l'appareil en tirant sur son cordon. Pour le débrancher, saisir la fiche et non le cordon.
- Ne pas manipuler le chargeur, notamment la fiche et les bornes du chargeur, avec des mains mouillées.
- Ne pas insérer d'objet dans les ouvertures de l'appareil. Ne pas utiliser l'appareil si ses ouvertures sont bouchées; les tenir exemptes de poussière, de peluche, de cheveux et de toute chose pouvant réduire la circulation d'air.
- Tenir les cheveux, les vêtements, les doigts et toutes les parties du corps à distance des ouvertures et des pièces mobiles.
- Être très prudent lors du nettoyage des escaliers.

- Ne pas utiliser cet appareil pour ramasser des liquides inflammables ou des combustibles comme de l'essence et ne pas l'utiliser dans les endroits où ces substances sont présentes.
- Ne pas ramasser de matières brûlantes ou fumantes comme des cigarettes, des allumettes ou des cendres chaudes.
- Utiliser uniquement l'appareil si le sac à poussière, les filtres ou les deux sont en place.
- Ne pas charger l'appareil à l'extérieur.
- Utiliser uniquement le chargeur fourni par le fabricant.
- Ne pas incinérer l'appareil, même s'il est très endommagé. Les piles peuvent exploser dans un feu.
- L'appareil est conçu pour une utilisation domestique seulement et non industrielle ou commerciale.
- Risque de choc électrique. Afin de se protéger contre les risques de choc électrique, ne pas immerger l'appareil ni la base de charge dans quelque liquide que ce soit.
- Ne pas laisser le cordon pendre sur le bord d'une table ou d'un comptoir, ni toucher des surfaces chaudes. L'appareil doit être placé ou fixé loin de tout évier et de toute surface chaude.
- Brancher le chargeur directement dans une prise électrique.
- Brancher le chargeur seulement dans une prise standard (120 V/60 Hz).
- Débrancher le chargeur avant tout nettoyage ou entretien de routine.
- Ce produit contient des piles rechargeables au nickel-cadmium. Ne pas incinérer les piles, car elles exploseront à des températures élevées.
- Les cellules des piles peuvent fuir dans des conditions extrêmes. Si le liquide, qui est constitué d'une solution de 20 à 35 % d'hydroxyde de potassium, entre en contact avec la peau : (1) se laver rapidement avec de l'eau et du savon ou (2) neutraliser le produit avec un acide doux comme du jus de citron ou du vinaigre. Si le liquide atteint les yeux, les rincer immédiatement à l'eau claire pendant au moins 10 minutes. Consulter un médecin.
- Ne pas regarder dans les événements lorsque l'appareil est en marche, car il arrive parfois que de petits débris s'en échappent, surtout après un nettoyage ou un remplacement de filtre qui aurait tendance à les libérer.

CONSERVER CES DIRECTIVES

Symboles

- L'étiquette apposée sur votre outil pourrait comprendre les symboles suivants. Les symboles et leurs définitions sont indiqués ci-après :

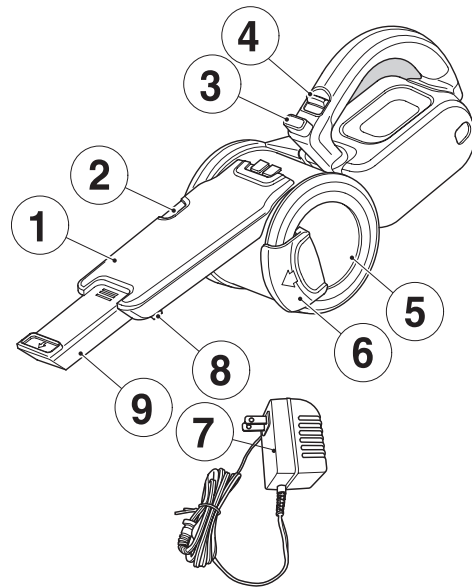
V	volts	A.....	ampères
Hz.....	hertz	W.....	watts
min.....	minutes	~	courant alternatif
==	courant continue	non.....	régime à vide
⚠	Construction classe I (mis à la terre)		
⊠	Construction classe II	⊕	borne de terre
⚠	symbole d'alerte à la sécurité	..min	ou rpm. révolutions ou alternance par minute

- En cas d'utilisation d'une rallonge, s'assurer que les valeurs nominales de la rallonge utilisée correspondent bien à celles de l'outil alimenté. L'usage d'une rallonge de calibre insuffisant causera une chute de tension entraînant perte de puissance et surchauffe. Le tableau ci-dessous illustre les calibres à utiliser selon la longueur de rallonge et l'intensité nominale indiquée sur la plaque signalétique. En cas de doutes, utiliser le calibre suivant. Plus le calibre est petit, plus la rallonge peut supporter de courant.

Calibre minimal des cordons de rallonge					
Tension		Longueur totale du cordon en pieds			
120V	0-25	26-50	51-100	101-150	
	(0-7,6m)	(7,6-15,2m)	(15,2-30,4m)	(30,4-45,7m)	
240V	0-50	51-100	101-200	201-300	
	(0-15,2m)	(15,2-30,4m)	(30,4-60,9m)	(60,9-91,4m)	
Intensité (A)		Calibre moyen des fils (AWG)			
Au moins	Au plus				
0	- 6	18	16	16	14
6	- 10	18	16	14	12
10	- 12	16	16	14	12
12	- 16	14	12	Non recommandé	

CARACTÉRISTIQUES DU PRODUIT

1. Dépoussiéreur
2. Bouton de dégagement du collecteur de poussière
3. Bouton de déblocage de pivot
4. Interrupteur marche/arrêt
5. Trappe du collecteur
6. Loquet d'ouverture de la trappe du collecteur
7. Chargeur
8. Brosse escamotable
9. Rallonge du dépoussiéreur

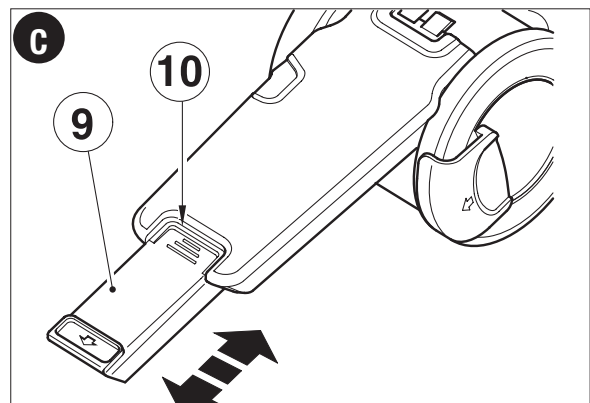
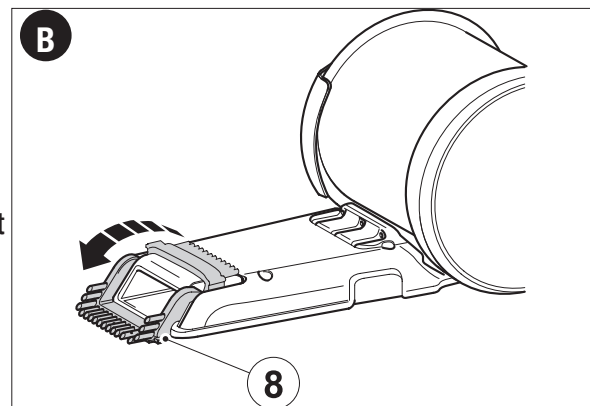
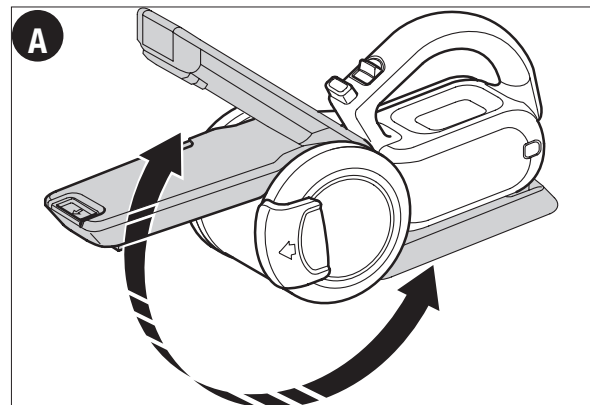


Assemblage

Réglage du dépoussiéreur (fig. A - C)

Le dépoussiéreur (1) comprend une brosse qui se replie vers l'avant pour l'époussetage et le nettoyage des meubles.

- Le dépoussiéreur (1) est rangé sous l'appareil. Pour régler l'appareil afin de l'utiliser, le débrancher du chargeur (7).
- Enfoncer le bouton de déblocage de pivot (3) et tourner le dépoussiéreur (1) à la position requise.
- Relâcher le bouton de déblocage de pivot (3) pour verrouiller le dépoussiéreur en position.
- La portée du dépoussiéreur peut être accrue en tirant sur sa rallonge (9) jusqu'à ce que cette dernière se bloque en position.
- La rallonge peut être rétractée en appuyant sur le bouton (10) et en repoussant la rallonge dans le dépoussiéreur.
- Le dépoussiéreur doit être remis en position de rangement, sous l'appareil, après son utilisation et durant la charge de l'appareil.



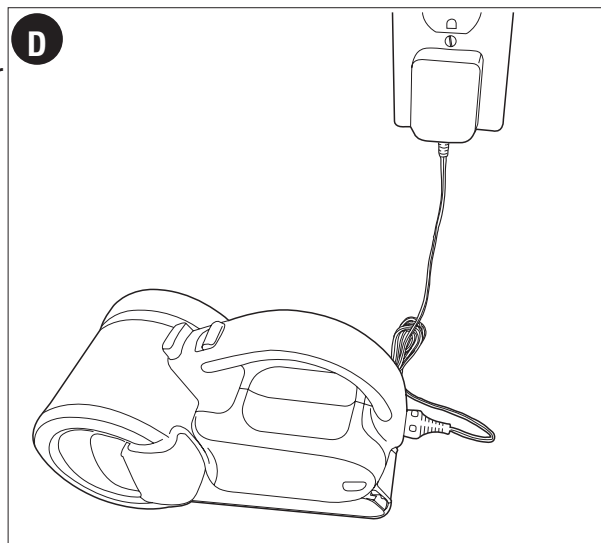
Utiliser

- Avant la première utilisation, la pile doit être chargée pendant au moins 24 heures.
- Brancher l'appareil dans le chargeur chaque fois que sa puissance devient faible.

CHARGE DE LA PILE (FIG. D)

- S'assurer que l'appareil est éteint.
- La pile ne se charge pas si le commutateur marche/arrêt (4) est en position de marche.
- Brancher l'appareil dans le chargeur (7) comme dans l'illustration. L'indicateur de charge s'allume.
 - Laisser l'appareil en charge pendant au moins 24 heures.

Pendant la charge, le chargeur peut chauffer. Cela est normal et n'indique pas de problème. On peut laisser l'appareil branché indéfiniment au chargeur. L'indicateur de charge reste allumé aussi longtemps que l'appareil est relié au chargeur branché.



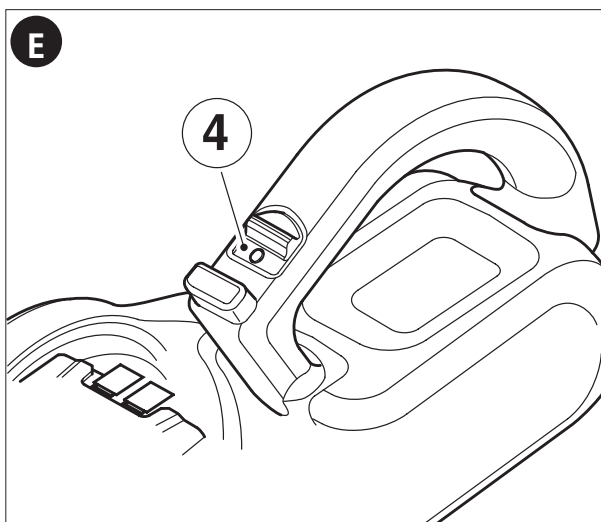
⚠ AVERTISSEMENT : Ne pas charger la batterie à des températures ambiantes inférieures à 4 °C (39 °F) ou supérieures à 40 °C (104 °F).

Mise en marche et arrêt (fig. E)

- Pour mettre l'appareil en marche, coulisser l'interrupteur marche/arrêt (4) vers l'avant, à la position I.
- Pour arrêter l'appareil, coulisser l'interrupteur marche/arrêt (4) vers l'arrière, à la position 0.

Optimisation de la force d'aspiration

Tourner le réservoir (fig. A), puis secouer le filtre pour faire sortir la saleté; cependant, pour maintenir au maximum la force d'aspiration, le collecteur de poussière et les filtres doivent être nettoyés régulièrement.



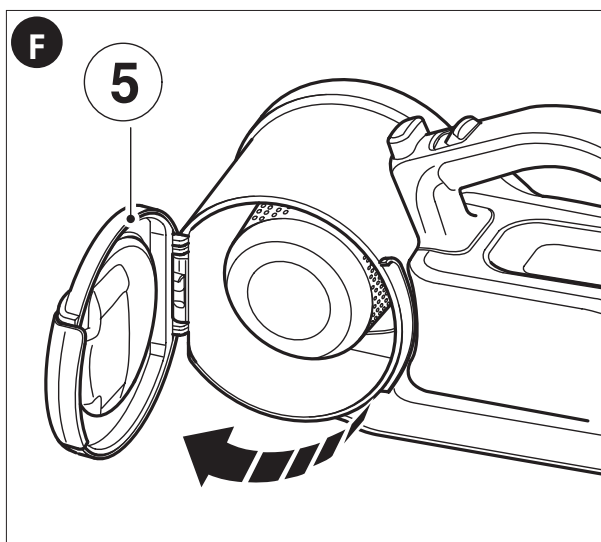
Nettoyage du collecteur de poussière et des filtres (fig. F - K)

Il existe deux méthodes de nettoyage du réservoir, à savoir une méthode de vidage rapide et une méthode de nettoyage en profondeur.

Pour la méthode de vidage rapide, suivre les directives suivantes.

- Enfoncer le loquet d'ouverture (6) et ouvrir la trappe du collecteur (5) (fig. F).
- Vider le collecteur de poussière (11).
- Fermer la trappe du collecteur de poussière (5). S'assurer que le loquet d'ouverture (6) s'enclenche en place.

Pour la méthode de nettoyage en profondeur, suivre les directives suivantes.



• Le collecteur de poussière (11) est fixé au corps de l'appareil au moyen d'une fixation à baïonnette. Pour retirer le collecteur de poussière, enfoncer le bouton de dégagement du collecteur de poussière (2) et tourner ce dernier (11) dans le sens antihoraire, puis le dégager soigneusement de l'appareil.

• Tourner le crochet du filtre (12) à la position verticale (fig. I).

• Utiliser le crochet du filtre (12) pour tourner le filtre (13) dans le préfiltre (14) de manière à le secouer pour retirer la saleté.

• Retirer le filtre principal (13).

• Brosser le filtre pour faire tomber la poussière libre (13).

• Le préfiltre (14) est fixé au moyen d'une fixation à baïonnette. Pour retirer le préfiltre (14), le tourner dans le sens antihoraire, puis le dégager soigneusement du collecteur de poussière.

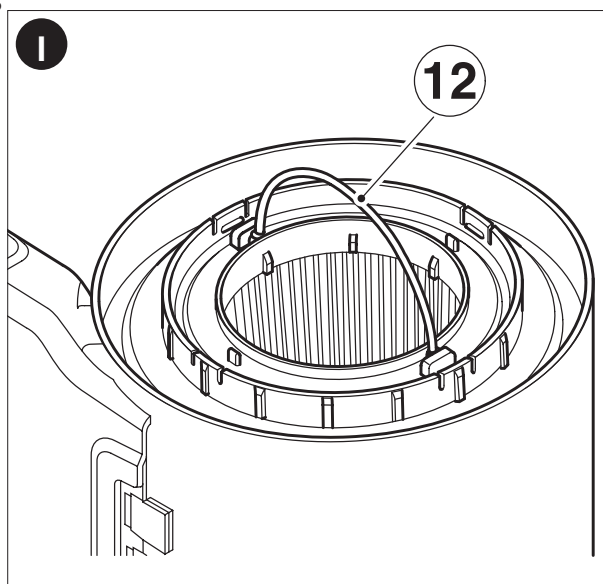
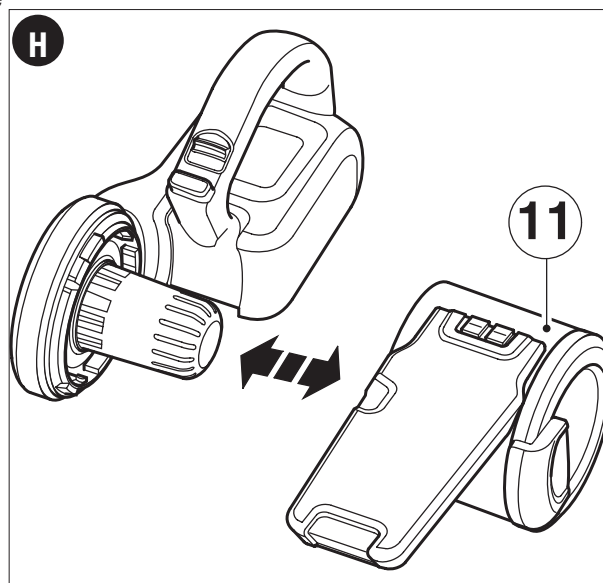
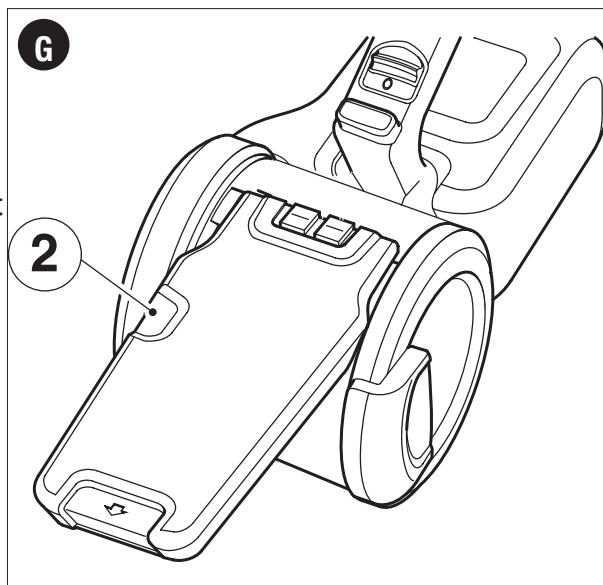
• Il est possible de nettoyer le collecteur de poussière. Il suffit de passer un chiffon humide ou de le laver à l'eau chaude savonneuse, puis de le laisser sécher.

• Les filtres sont réutilisables et doivent être nettoyés régulièrement. Les laver à l'eau chaude savonneuse, puis les laisser sécher.

• Installer le préfiltre (14) dans le collecteur de poussière (11) en le tournant dans le sens horaire de manière à ce qu'il s'enclenche en place.

• Installer le filtre principal (13) dans le préfiltre (14).

• Installer le collecteur de poussière (11) dans l'appareil, puis le tourner dans le sens horaire de manière à ce qu'il s'enclenche en place.

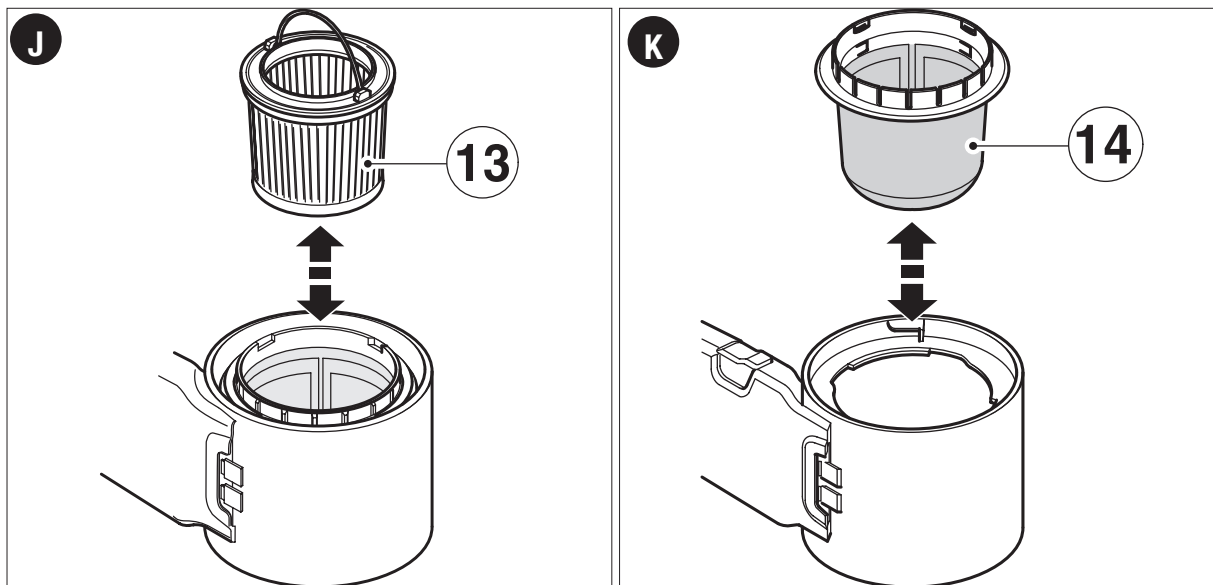


⚠ AVERTISSEMENT : Risques de projection/pour les voies respiratoires : ne jamais utiliser l'appareil sans les filtres. Une aspiration optimale des poussières ne sera obtenue qu'avec des filtres propres.

Remplacement des filtres

Les filtres doivent être remplacés tous les 6 à 9 mois et chaque fois qu'ils sont usés ou endommagés. Des filtres de rechange sont offerts auprès du détaillant Black & Decker local (n° de cat. PVF110) :

- Retirer les anciens filtres selon les indications ci-dessus.
- Installer les filtres neufs selon les indications ci-dessus.



Entretien

N'utiliser qu'un détergent doux et un chiffon humide pour nettoyer l'outil. Ne jamais laisser de liquide pénétrer dans l'outil et n'immerger aucune partie de l'outil dans un liquide.

IMPORTANT : pour garantir la SÉCURITÉ et la FIABILITÉ du produit, les réparations, l'entretien et le réglage (autre que ceux énumérés dans ce mode d'emploi) doivent être réalisés par un centre de réparation autorisé ou tout autre centre de réparation professionnel, utilisant toujours des pièces de rechange identiques.

Dépannage

Problème

- L'appareil refuse de démarrer.
- La pile ne se charge pas.

Cause possible

- Pile non chargée.
- Chargeur non branché.
- Température ambiante trop chaude ou trop froide.

Solution possible

- Vérifier les exigences de charge pour la pile.
- Brancher le chargeur dans une prise qui fonctionne. Se reporter à « Remarques importantes de chargement » pour plus de renseignements.
- Vérifier le courant à la prise en branchant une lampe ou un autre appareil électrique.
- Vérifier si la prise est reliée à un interrupteur de lumière qui la met hors tension lorsque vous éteignez les lumières.
- Déplacer le chargeur et l'outil à une température ambiante de plus de 4.5 °C (40 °F)

ou sous les 40.5 °C (105 °F).

Pour de l'aide avec l'outil, consulter notre site Web www.blackanddecker.com pour l'emplacement du centre de réparation le plus près ou communiquer avec l'assistance BLACK & DECKER au 1-800-544-6986.

ACCESSOIRES

Les accessoires recommandés pouvant être utilisés avec l'outil sont disponibles auprès de votre distributeur local ou centre de réparation autorisé. Pour tout renseignement concernant les accessoires, composer le : **1-800-544-6986**.

⚠ AVERTISSEMENT : l'utilisation de tout accessoire non recommandé avec cet outil pourrait s'avérer dangereuse.

RETRAIT ET ÉLIMINATION DES PILES

Ce produit utilise des piles nickel-cadmium (Ni-Cd) rechargeables et recyclables. Quand les piles ne tiennent plus la charge, elles doivent être retirées de l'aspirateur et recyclées. Elles ne doivent jamais être incinérées ni compostées.

On peut apporter la pile à un centre de réparation Black & Decker ou un centre autorisé. Certains détaillants locaux participent également à un programme national de recyclage. Communiquer avec le détaillant de votre région pour les détails. Le centre de réparation de Black & Decker ou un centre autorisé prendront les dispositions nécessaires pour recycler la pile épuisée si on la rapporte à un tel centre. On peut aussi contacter la municipalité pour obtenir des directives de mise au rebut appropriées selon la ville.

Enlever le bloc-piles pour élimination :

- 1.) D'abord, avant d'essayer de démonter le produit, l'allumer et le laisser allumé jusqu'à ce que le moteur s'arrête complètement, ce qui assure une décharge complète des piles.
- 2.) Vérifier que la buse est tournée en position de rangement.
- 3.) Avec un tournevis à pointe cruciforme, retirer les sept vis fixant les deux moitiés du boîtier.
- 4.) Déposer le couvercle du boîtier de l'ensemble.
- 5.) Retirer la vis unique fixant l'ensemble de moteur (située en bas de l'appareil, près du contenant à poussière.)
- 6.) Soulever l'ensemble de moteur.
- 7.) Retirer les trois vis du couvercle et retirer le couvercle de l'ensemble afin d'exposer les piles.
- 8.) Débrancher les connexions du moteur et séparer le moteur de l'ensemble.
- 9.) Débrancher tous les fils et retirer les piles de leur boîtier.
- 10.) Éliminer les piles conformément aux directives recommandées.

SCEAU RBRC™

RBRC™ (Société de recyclage des piles rechargeables)

Ce sceau apposé sur la pile au nickel cadmium (ou sur le bloc-piles) indique que les coûts de recyclage de cette pile (ou de ce bloc-piles) à la fin de sa vie utile ont été payés par Black & Decker. Dans certaines régions, il est illégal de jeter les piles au nickel-cadmium dans les poubelles ou dans le système municipal de cueillette des résidus solides. Le programme de la RBRC représente donc une alternative écologique.

La RBRC, en collaboration avec Black & Decker et d'autres utilisateurs de piles, a établi aux États-Unis et au Canada des programmes facilitant la cueillette des piles au nickel cadmium déchargées. Aidez-nous à protéger l'environnement et à conserver nos ressources naturelles en retournant les piles au nickel cadmium épuisées à un centre de réparation Black & Decker ou au détaillant de votre région pour qu'elles soient recyclées. Vous pouvez aussi communiquer avec votre centre local de recyclage qui vous fera part du lieu de disposition de vos piles épuisées ou composer le numéro **1-800-8-BATTERY**.



INFORMATION SUR LES RÉPARATIONS

Tous les centres de réparation Black & Decker sont dotés de personnel qualifié en matière d'outillage électrique; ils sont donc en mesure d'offrir à leur clientèle un service efficace et fiable. Que ce soit pour un avis technique, une réparation ou des pièces de rechange authentiques installées en usine, communiquer avec l'établissement Black & Decker le plus près de chez vous. Pour trouver l'établissement de réparation de votre région, consulter le répertoire des Pages jaunes à la rubrique « Outils électriques » ou composer le numéro suivant : **1-800-544-6986** ou consulter le site **www.blackanddecker.com**

GARANTIE COMPLÈTE DE DEUX ANS POUR UNE UTILISATION DOMESTIQUE

Black & Decker (É.-U.) Inc. garantit ce produit pour une durée de deux ans contre tout défaut de matériau ou de fabrication. Le produit défectueux sera remplacé ou réparé sans frais de l'une des deux façons suivantes :

La première façon consiste en un simple échange chez le détaillant qui l'a vendu (pourvu qu'il s'agisse d'un détaillant participant). Tout retour doit se faire durant la période correspondant à la politique d'échange du détaillant (habituellement, de 30 à 90 jours après l'achat). Une preuve d'achat peut être requise. Vérifier auprès du détaillant pour connaître sa politique concernant les retours hors de la période définie pour les échanges.

La deuxième option est d'apporter ou d'envoyer le produit (transport payé d'avance) à un centre de réparation autorisé ou à un centre de réparation de Black & Decker pour faire réparer ou échanger le produit, à notre discrétion. Une preuve d'achat peut être requise. Les centres Black & Decker et les centres de service autorisés sont répertoriés dans les pages jaunes, sous la rubrique « Outils électriques ».

Cette garantie ne s'applique pas aux accessoires. Cette garantie vous accorde des droits légaux spécifiques et vous pourriez avoir d'autres droits qui varient d'un État ou d'une province à l'autre. Pour toute question, communiquer avec le directeur du centre de réparation Black & Decker le plus près de chez vous. Ce produit n'est pas destiné à un usage commercial.

REPLACEMENT GRATUIT DES ÉTIQUETTES D'AVERTISSEMENT : si les étiquettes d'avertissement deviennent illisibles ou sont manquantes, composer le **1-800-544-6986** pour en obtenir le remplacement gratuit.

Imported by / Importé par
Black & Decker Canada Inc.
100 Central Ave.
Brockville (Ontario) K6V 5W6

**Voir la rubrique "Outils électriques"
des Pages Jaunes
pour le service et les ventes.**

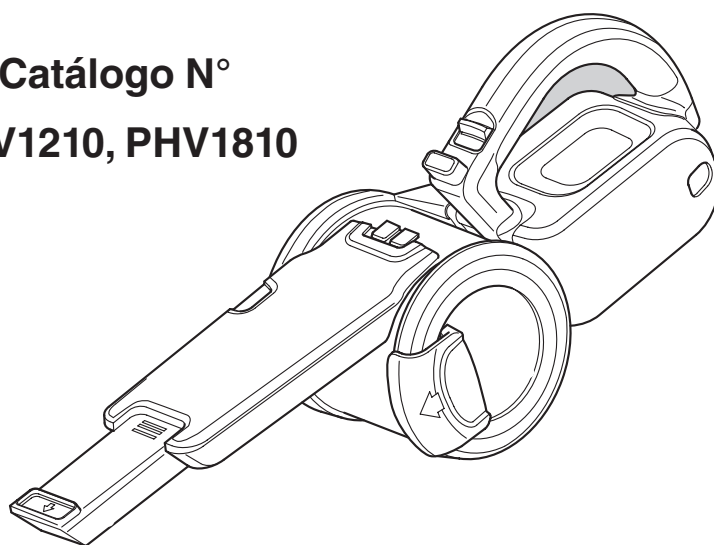




ASPIRADORA DE MANO INALÁMBRICA DE 18 VOLTIOS

MANUAL DE INSTRUCCIONES

Catálogo N°
PHV1210, PHV1810



Gracias por elegir Black & Decker!
Visite www.BlackandDecker.com/NewOwner
para registrar su nuevo producto.

LEA EL MANUAL ANTES DE DEVOLVER ESTE PRODUCTO POR CUALQUIER MOTIVO:

Si tiene una consulta o algún inconveniente con su producto Black & Decker, visite
[HTTP://WWW.BLACKANDDECKER.COM/INSTANTANSWERS](http://WWW.BLACKANDDECKER.COM/INSTANTANSWERS)

para obtener respuestas instantáneas las 24 horas del día.

Si no encuentra la respuesta o no tiene acceso a Internet, llame al 1-800-544-6986 de
lunes a viernes de 8 a.m. a 5 p.m. hora del Este para hablar con un agente.

Cuando llame, tenga a mano el número de catálogo.

**Para comprar un filtro de repuesto
llame al 1-888-678-7278.**

**CONSERVE ESTE MANUAL PARA FUTURAS CONSULTAS.
SÓLO PARA USO DOMÉSTICO.**

PAUTAS DE SEGURIDAD/DEFINICIONES

Es importante que lea y comprenda este manual. La información que contiene se relaciona con la protección de SU SEGURIDAD y la PREVENCIÓN DE PROBLEMAS. Los símbolos que siguen se utilizan para ayudarlo a reconocer esta información.

⚠ PELIGRO: indica una situación de peligro inminente que, si no se evita, provocará la muerte o lesiones graves.

⚠ ADVERTENCIA: indica una situación de peligro potencial que, si no se evita, provocará la muerte o lesiones graves.

⚠ PRECAUCIÓN: indica una situación de peligro potencial que, si no se evita, provocará lesiones leves o moderadas.

PRECAUCIÓN: utilizado sin el símbolo de alerta de seguridad indica una situación de peligro potencial que, si no se evita, puede provocar daños en la propiedad.

INSTRUCCIONES DE SEGURIDAD IMPORTANTES

Al utilizar aparatos eléctricos, siempre deben seguirse algunas precauciones básicas, entre las que se incluyen:

LEA TODAS LAS INSTRUCCIONES ANTES DE UTILIZAR ESTE APARATO.

⚠ ADVERTENCIA: Lea todas las advertencias de seguridad y todas las instrucciones. El incumplimiento de cualquiera de las advertencias e instrucciones indicadas a continuación puede provocar una descarga eléctrica, un incendio y/o lesiones graves.

⚠ ADVERTENCIA: Algunos tipos de polvo doméstico contienen sustancias químicas, como el asbesto y el plomo de las pinturas a base plomo, reconocidas por el Estado de California como causantes de cáncer, defectos de nacimiento u otros problemas reproductivos.

⚠ ADVERTENCIA: Para disminuir el riesgo de incendio, descarga eléctrica o lesiones:

- ⚠ ADVERTENCIA:** Para reducir el riesgo de descarga eléctrica, no utilice la unidad al aire libre ni sobre superficies mojadas.
- No permita que se utilice como juguete. Debe prestar especial atención cuando los niños la utilicen o al utilizarla cerca de ellos.
- Utilícela únicamente como se describe en este manual. Utilice únicamente aditamentos recomendados por el fabricante.
- No utilice la unidad con el cable o el enchufe dañados. Si el aparato no funciona como corresponde, se ha caído, dañado, dejado al aire libre o sumergido en agua, devuélvalo a un centro de mantenimiento.
- No arrastre ni transporte la unidad por el cable, no utilice el cable como un mango, no cierre una puerta sobre el cable ni tire de este cerca de bordes o esquinas filosas. No pase sobre el cable con el aparato funcionando. Mantenga el cable alejado de superficies calientes.
- No desenchufe la unidad tirando del cable. Para desenchufarla, sujete el enchufe, no el cable.
- No manipule el cargador, incluidos el enchufe y los terminales del mismo, con las manos húmedas.
- No inserte ningún objeto en los orificios de la unidad. No la utilice si alguno de los orificios está bloqueado, manténgala libre de polvo, pelusas, pelos y cualquier cosa que pueda reducir el flujo de aire.
- Mantenga el cabello, las ropas holgadas, los dedos y todas las partes del cuerpo alejados de los orificios y de las piezas en movimiento.
- Tenga mucho cuidado al limpiar en escaleras.
- No utilice la unidad para recoger líquidos inflamables o combustibles, como gasolina,

- ni la utilice en áreas en las que estas sustancias puedan estar presentes.
- No recoja ninguna cosa que esté quemándose o humeante, como cigarrillos, fósforos o cenizas calientes.
- No utilice la unidad sin la bolsa para polvo y/o los filtros en su lugar.
- No cargue la unidad al aire libre.
- Para recargar, utilice únicamente el cargador provisto por el fabricante.
- No incinere el aparato aun si tiene daños importantes. Las baterías pueden explotar en el fuego.
- Este aparato está diseñado para uso doméstico solamente y no para uso comercial o industrial.
- Peligro de descarga eléctrica. Para protegerse contra el riesgo de descarga eléctrica, no sumerja la unidad o la base cargadora en agua u otro líquido.
- No permita que el cable cuelgue sobre el borde de una mesa o mostrador, o toque superficies calientes. La unidad debe colocarse o montarse lejos de fregaderos y superficies calientes.
- Enchufe el cargador directamente en un tomacorriente.
- Utilice el cargador solamente en un tomacorriente estándar (120 V/60 Hz).
- Desenchufe el cargador del tomacorriente antes de cualquier limpieza o mantenimiento de rutina.
- Este producto incluye baterías recargables de níquel-cadmio. No incinere las baterías porque explotan a temperaturas altas.
- En condiciones extremas, pueden producirse fugas de las celdas de las baterías. Si el líquido, que es una solución de hidróxido de potasio al 20-35%, entra en contacto con la piel (1) lave rápidamente con agua y jabón o (2) neutralice con un ácido suave como jugo de limón o vinagre. Si el líquido de la batería entra en contacto con los ojos, lávelos de inmediato con agua limpia durante al menos 10 minutos. Busque atención médica.
- No mire por los orificios de ventilación mientras la unidad esté encendida, ya que a veces existe la posibilidad de que pequeños residuos salgan disparados por dichos orificios, especialmente después de limpiar/reemplazar los filtros, ya que los residuos dentro de la unidad pueden desplazarse.

CONSERVE ESTE MANUAL

SÍMBOLOS

- La etiqueta de su herramienta puede incluir los siguientes símbolos. Los símbolos y sus definiciones son los siguientes:

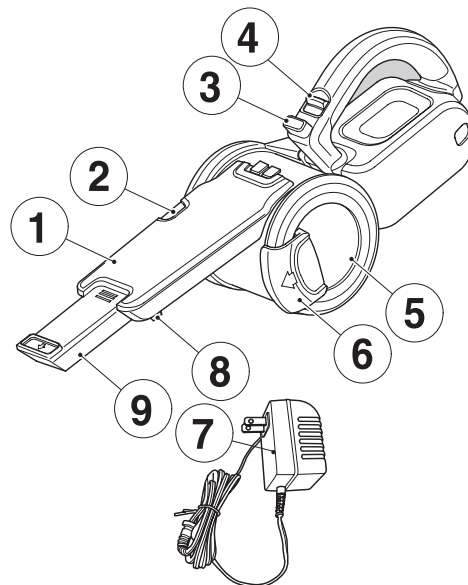
V	voltios	Aamperios
Hzhertz	Wvatios
minminutos	~corriente alterna
—=— corriente continua	n _ono velocidad sin carga
ⓘ Construcción Clase I (con conexión a tierra)	⊕ terminal a tierra
Ⓚ Construcción de clase II	..min	rpm. revoluciones o reciprocidad por minuto
⚠ símbolo de alerta de seguridad		

Cuando use un alargador, asegúrese de usar uno de un calibre suficiente como para cargar con la corriente que requerirá su producto. Un alargador de menor calibre causará una caída en el voltaje de la línea lo que resultará en pérdida de potencia y sobrecalentamiento. El siguiente cuadro muestra el tamaño correcto a utilizar, dependiendo del largo del cable y el amperaje nominal. En caso de duda, utilice el de mayor calibre. Mientras menor el número del calibre, mayor la capacidad del cable.

Volts	Calibre mínimo para cables de extensión			
	Longitud total del cable en pies			
120V	0-25 (0-7,6m)	26-50 (7,6-15,2m)	51-100 (15,2-30,4m)	101-150 (30,4-45,7m)
240V	0-50 (0-15,2m)	51-100 (15,2-30,4m)	101-200 (30,4-60,9m)	201-300 (60,9-91,4m)
Amperaje	Más de	No más de	American Wire Gauge	
0 - 6	18	16	16	14
6 - 10	18	16	14	12
10 - 12	16	16	14	12
12 - 16	14	12	No se recomienda	

Características del producto

1. Recolector de polvo
2. Botón de liberación del depósito de polvo
3. Botón de bloqueo de rotación
4. Interruptor de encendido/apagado
5. Tapa del depósito
6. Cerrojo de liberación para la tapa del depósito
7. Cargador
8. Cepillo desplegable
9. Extensión del recolector de polvo

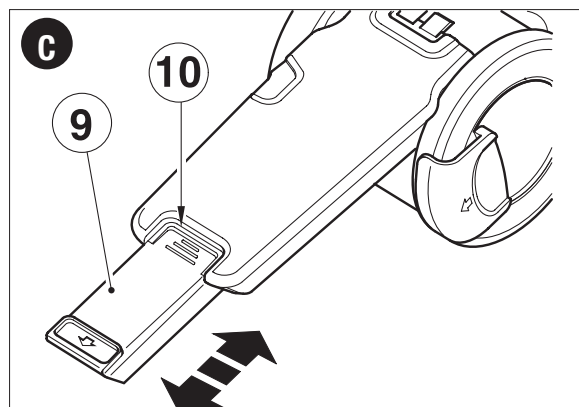
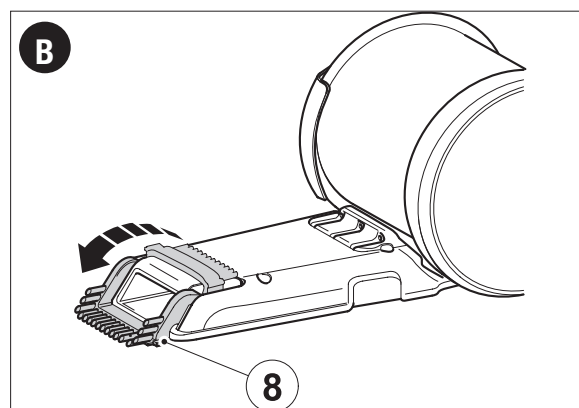
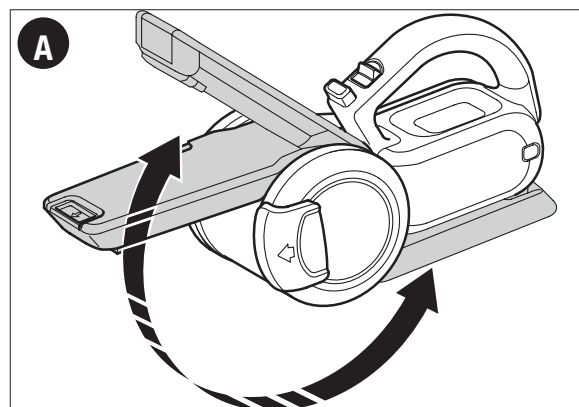


Ensamblaje

Ajuste del recolector de polvo (Fig. A - C)

El recolector de polvo (1) tiene un cepillo que se puede desplegar hacia adelante para limpieza del polvo y de tapizados.

- El recolector de polvo (1) se guarda bajo el aparato. Para ajustar el aparato para el uso, desenchúfelo del cargador (7).
- Presione el botón de bloqueo de rotación (3) y gire el recolector de polvo (1) a la posición requerida.
- Libere el botón de bloqueo de rotación (3) para bloquear el recolector de polvo en su posición.
- El recolector de polvo se puede extender tirando de la extensión del recolector de polvo (9) hasta que se bloquee en su lugar.
- La extensión se puede retraer presionando el botón (10) y empujando la extensión de vuelta al interior del recolector de polvo.
- Luego del uso y durante la carga del aparato, el recolector de polvo debe devolverse a la posición de almacenamiento bajo el aparato.



Uso

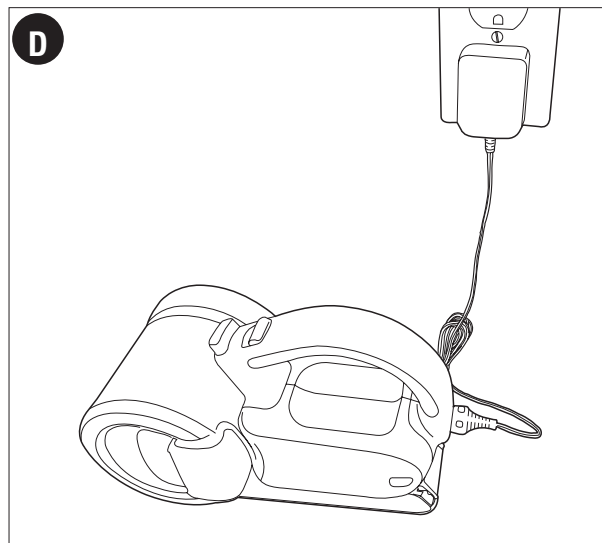
- Antes del primer uso, cargue la batería por lo menos durante 24 horas.
- Enchufe el aparato en el cargador cada vez que la energía disminuya.

CARGA DE LA BATERÍA (FIG. D)

- Asegúrese de que el aparato esté apagado. La batería no se cargará si el interruptor de encendido/apagado (4) está en la posición de encendido.
- Enchufe el aparato en el cargador (7) como se muestra. El indicador de carga se encenderá.
- Deje que el aparato cargue por lo menos durante 24 horas.

Durante la carga, el cargador puede calentarse. Esto es normal y no indica un problema.

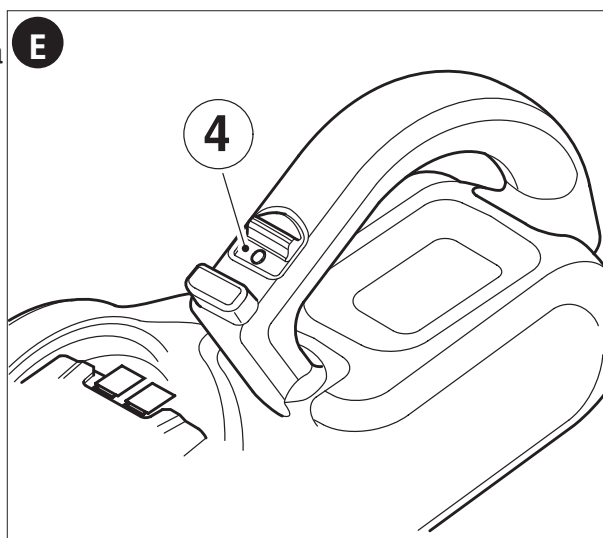
El aparato se puede dejar conectado al cargador indefinidamente. El indicador de carga permanecerá encendido mientras el aparato esté conectado al cargador enchufado.



⚠ ADVERTENCIA: No cargue la batería a temperaturas ambientales inferiores 4 °C (39°F) o superiores a 40°C (104°F).

Encendido y apagado (fig. E)

- Para encender el aparato, deslice el interruptor de encendido/apagado (4) hacia adelante a la posición I.
- Para apagar el aparato, deslice el interruptor de encendido/apagado (4) de vuelta a la posición 0.



Optimización de la fuerza de succión

Al hacer girar el depósito (Fig. A) se agita el filtro para eliminar la suciedad; sin embargo, para mantener optimizada la fuerza de succión, el depósito de polvo y los filtros deben limpiarse regularmente.

Limpieza del depósito de polvo y los filtros (fig. F - K)

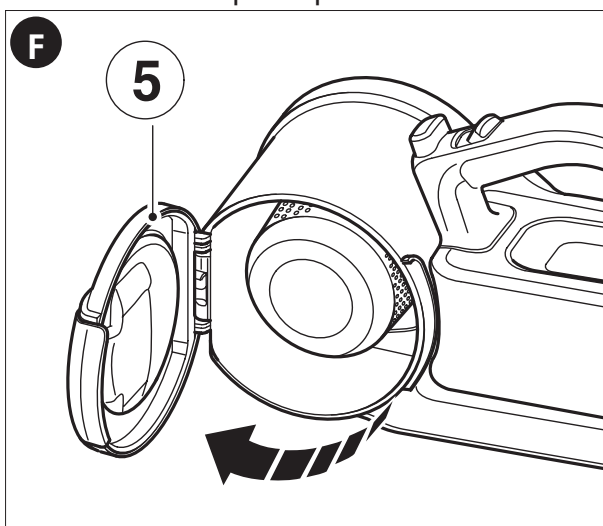
Existen dos métodos de limpieza del recipiente: un método de vaciado rápido y un método de limpieza profunda.

Para el método de vaciado rápido siga las instrucciones a continuación.

- Presione el cerrojo de liberación (6) y abra la tapa del depósito (5) (Fig. F).
- Vacíe el depósito de polvo (11).
- Cierre la tapa del depósito de polvo (5). Asegúrese de que el cerrojo de liberación (6) produzca un sonido seco y quede firme en su lugar.

Para el método de limpieza profunda utilice las siguientes instrucciones.

- El depósito de polvo (11) está sujeto al cuerpo del aparato con una fijación de bayoneta. Para retirar el depósito de polvo, presione el botón de liberación del depósito de polvo (2), gire el depósito de



polvo (11) hacia la izquierda y deslícelo cuidadosamente para separarlo del aparato.

- Gire el gancho del filtro (12) a la posición vertical (Fig. I).

- Utilice el gancho del filtro (12) para girar el filtro (13) dentro del prefiltro (14) para agitarlo y eliminar la suciedad.

- Retire el filtro principal (13).

- Cepille el filtro para quitar el polvo restante (13).

- El prefiltro (14) está conectado con una fijación de bayoneta. Para retirar el prefiltro (14), gírelo hacia la izquierda y deslícelo cuidadosamente para separarlo del depósito de polvo.

- Puede limpiar el depósito de polvo. Límpielo con un paño húmedo o enjuáguelo con agua jabonosa tibia y déjelo secar.

- Los filtros son reutilizables y deben limpiarse regularmente. Enjuáguelos con agua jabonosa tibia y déjelos secar.

- Instale el prefiltro (14) en el depósito de polvo (11) girándolo hacia la derecha hasta que se bloquee en su lugar.

- Instale el filtro principal (13) en el prefiltro (14).

- Instale el depósito de polvo (11) en el aparato, girándolo hacia la derecha hasta que se bloquee en su lugar.

⚠ **ADVERTENCIA:**

Peligro de eyección/respiratorio:

Nunca utilice el aparato sin los filtros. Sólo se logrará una recolección de polvo óptima con filtros limpios.

Reemplazo de los filtros

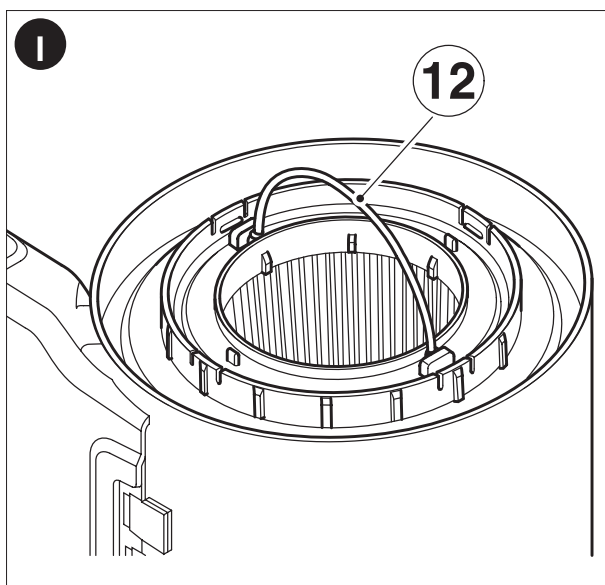
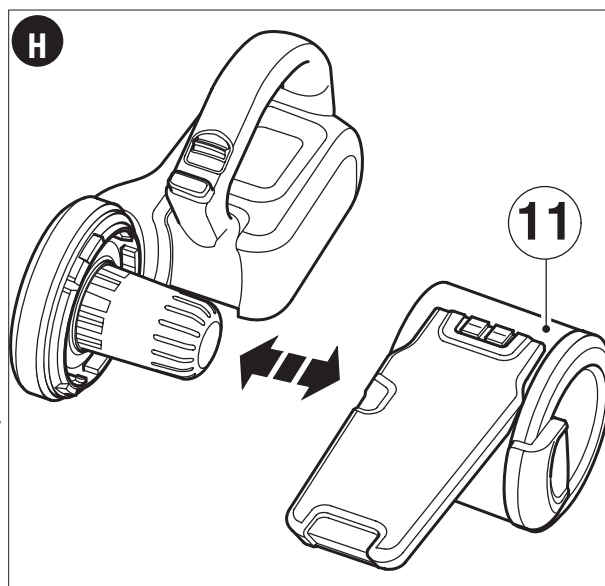
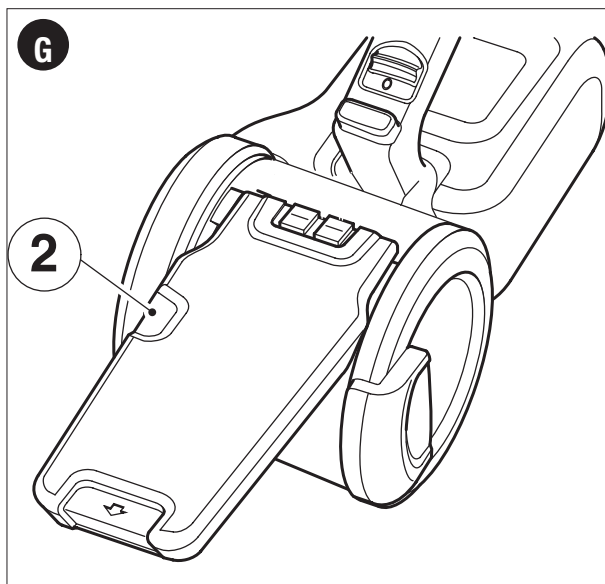
Los filtros se deben reemplazar cada 6 a 9 meses y cuando estén gastados o dañados. Los filtros de repuesto pueden encontrarse en su distribuidor Black & Decker (Nº. cat. PVF110):

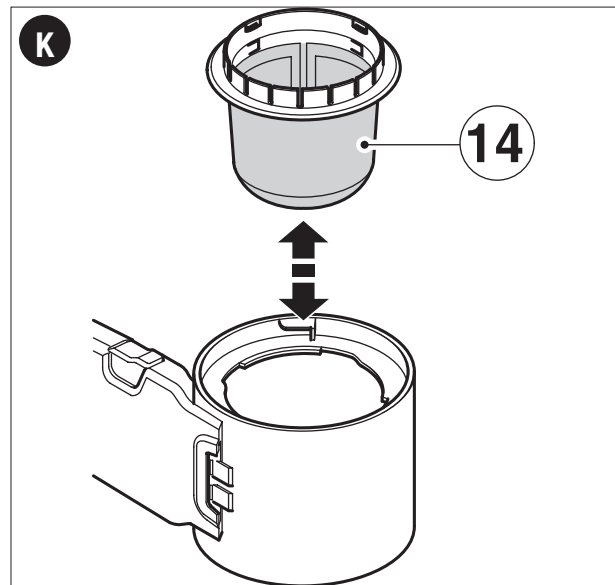
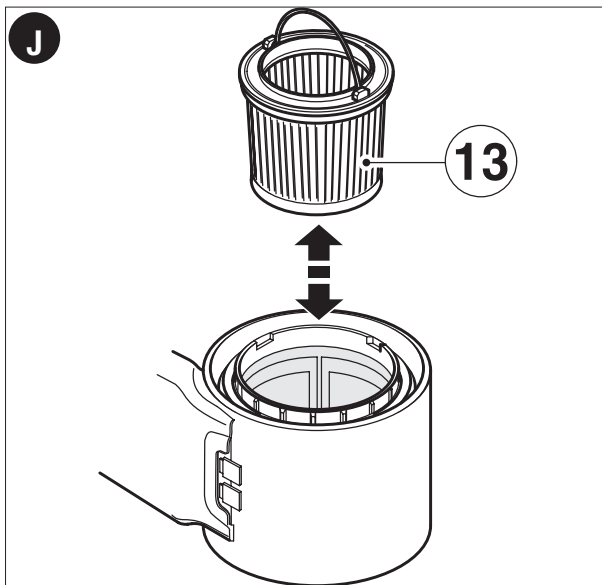
- Retire los filtros viejos como se describió anteriormente.

- Coloque los filtros nuevos como se describió anteriormente.

MANTENIMIENTO

Para limpiar la herramienta, sólo





utilice jabón suave y un paño húmedo. Nunca permita que penetre líquido dentro de la herramienta ni sumerja ninguna de las piezas en un líquido.

IMPORTANTE: Para garantizar la SEGURIDAD y la CONFIABILIDAD del producto, las reparaciones, el mantenimiento y los ajustes (los que no estén enumerados en este manual) deben ser realizados por los centros de mantenimiento autorizados u otro personal de mantenimiento calificado, y siempre deben utilizarse piezas de repuesto idénticas.

Detección de problemas

Problema

- La unidad no enciende.
- La batería no carga.

detalles,
importantes

Causa posible

- La batería no carga.
- El cargador no está enchufado.

fría.

- Temperatura ambiental demasiado caliente o demasiado

con una

Solución posible

- Verifique los requisitos de carga de la batería.
- Enchufe el cargador en un tomacorriente que funcione.
- Para conocer más consulte "Notas sobre la carga".
- Compruebe la corriente en el tomacorriente enchufando una lámpara u otro aparato.
- Verifique si el tomacorriente está conectado a un interruptor que corta la energía

cuando usted apaga la luz.

- Mueva el cargador y la herramienta a un ambiente superior a 4.5 °C (40 °F) o inferior a 40.5 °C (105 °F).

Solamente para Propósitos de México

Para conocer la ubicación del centro de servicio más cercano a fin de recibir ayuda con su producto, visite nuestro sitio Web www.blackanddecker.com.mx o llame a la línea de ayuda BLACK & DECKER al 01 800 847 2309/01 800 847 2312.

ACCESORIOS

Los accesorios que se recomiendan para la herramienta están disponibles en su distribuidor local o en el centro de mantenimiento autorizado. Si necesita asistencia en relación con los accesorios, por favor llame al: **1-800-544-6986**

⚠️ ADVERTENCIA: El uso de accesorios no recomendados para utilizar con esta herramienta puede resultar peligroso.

REMOCIÓN Y ELIMINACIÓN DE LA BATERÍA

Este producto utiliza baterías de níquel-cadmio (Ni-Cd) recargables y reciclables. Cuando las baterías ya no mantengan la carga, es necesario retirarlas de la aspiradora y reciclarlas. No se deben incinerar ni someter a un proceso de compostaje.

Para eliminar la batería, puede llevarla a un Centro de mantenimiento Black & Decker propio o autorizado. Algunos comercios minoristas locales participan de un programa nacional de reciclado (ver "Sello RBRCTM"). Llame a su comercio minorista local para obtener más información. Si trae las baterías a un Centro de mantenimiento Black & Decker propio o autorizado, el Centro se ocupará de reciclarlas. O bien, consulte en la municipalidad de su localidad para conocer las instrucciones de desecho adecuadas de su ciudad o localidad.

Remoción y desecho de baterías:

- 1.) Primero, antes de intentar desarmar el producto, enciéndalo y póngalo en funcionamiento hasta que el motor se haya detenido completamente, asegurándose de que las baterías se descarguen completamente.
- 2.) Asegúrese de que la boquilla esté fuera de la posición de almacenamiento.
- 3.) Con un destornillador Phillips, retire los siete tornillos que fijan las dos mitades de la caja.
- 4.) Levante la cubierta de la batería del montaje.
- 5.) Retire el único tornillo que asegura el montaje del motor. (ubicado en la parte inferior de la unidad, adyacente al depósito).
- 6.) Levante y retire el montaje del motor.
- 7.) Retire los tres tornillos en la cubierta, levántela y retírela del montaje, exponiendo así las baterías.
- 8.) Retire las conexiones del motor y quítelo del ensamblaje.
- 9.) Retire todas las conexiones de los conductores y quite las baterías de la cubierta.
- 10.) Deseche las baterías según las pautas recomendadas.

EL SELLO RBRC™

El sello RBRC™ (Corporación de reciclado de baterías recargables) que se encuentra sobre la batería de níquel-cadmio (o paquete de batería) indica que los costos para reciclar la batería (o el paquete de batería) al final de su vida útil ya han sido pagados por Black & Decker. En algunas zonas, es ilegal tirar las baterías usadas de níquel-cadmio en la basura o en el flujo de desechos sólidos del municipio. El programa RBRC proporciona una alternativa de conciencia sobre el cuidado del medio ambiente.

RBRC en cooperación con Black & Decker y otros usuarios de baterías, estableció programas en los Estados Unidos y Canadá para facilitar la recolección de baterías de níquel-cadmio ya usadas. Ayude a proteger nuestro medio ambiente y a conservar los recursos naturales devolviendo las baterías de níquel-cadmio ya usadas a un centro de mantenimiento autorizado Black & Decker o a un comerciante minorista para que sean recicladas. También puede comunicarse con el centro de reciclado para obtener información o dónde dejar las baterías, o llame al **1-800-8-BATTERY**.



INFORMACIÓN DE MANTENIMIENTO

Todos los Centros de servicio de Black & Decker cuentan con personal altamente capacitado dispuesto a brindar a todos los clientes un servicio eficiente y confiable en la reparación de herramientas eléctricas. Si necesita consejo técnico, reparaciones o piezas de repuesto originales de fábrica, póngase en contacto con el centro de servicio de Black & Decker más cercano a su domicilio. Para ubicar su centro de servicio local, consulte la sección "Herramientas eléctricas" (Tools-Electric) de las páginas amarillas, llame al **1-800-544-6986** o visite nuestro sitio **www.blackanddecker.com**.

GARANTÍA COMPLETA DE DOS AÑOS PARA USO EN EL HOGAR

Black & Decker (Estados Unidos) Inc. ofrece una garantía de dos años por cualquier defecto del material o de fabricación de este producto. El producto defectuoso se reparará o reemplazará sin costo alguno de dos maneras.

La primera opción, el reemplazo, es devolver el producto al comercio donde se adquirió (siempre y cuando se trate de un comercio participante). Las devoluciones deben realizarse conforme a la política de devolución del comercio (generalmente, entre 30 y 90 días posteriores a la venta). Le pueden solicitar comprobante de compra. Consulte en el comercio acerca de la política especial sobre devoluciones una vez excedido el plazo establecido.

La segunda opción es llevar o enviar el producto (con flete pago) a un Centro de servicio propio o autorizado de Black & Decker para su reparación o reemplazo según nuestro criterio. Le pueden solicitar el comprobante de compra. Los Centros de servicio autorizados y de propiedad de Black & Decker se detallan en la sección

“Herramientas eléctricas” (Tools-Electric) de las páginas amarillas de la guía telefónica.

Esta garantía no se extiende a los accesorios. Esta garantía le concede derechos legales específicos; usted puede tener otros derechos que pueden variar según el estado o la provincia. Si tiene alguna pregunta, comuníquese con el gerente del Centro de servicio de Black & Decker de su zona. Este producto no está diseñado para uso comercial.

AMÉRICA LATINA: esta garantía no se aplica a los productos que se venden en América Latina. Para los productos que se venden en América Latina, debe consultar la información de la garantía específica del país que viene en el empaque, llamar a la compañía local o visitar el sitio Web a fin de obtener esa información.

· GARANTÍA BLACK & DECKER · BLACK & DECKER WARRANTY · SOLAMENTE PARA PROPOSITOS DE MEXICO

Distributor Name · **Sello firma del distribuidor**

Date of purchase · **Fecha de compra**

Invoice No. · No. de factura

PRODUCT INFORMATION · IDENTIFICACIÓN DEL PRODUCTO

Cat. No. · **Catalogo ó Modelo**

Serial Number · No. de serie

Name · **Nombre**

Last Name · Apellido

Address · **Dirección**

City · **Ciudad**

State · Estado

Postal Code · **Código Postal**

Country · País

Telephone · **No. Teléfono**

2 A—OS DE GARANTIA

Este producto cuenta con dos años de garantía a partir de la fecha de compra contra cualquier defecto de su funcionamiento, así como cualquier falla debido a materiales empleados para su fabricación ó mano de obra defectuosa.

Nuestra garantía incluye la reparación o reposición del producto y/o componentes sin cargo alguno para el cliente incluyendo la mano de obra, esta incluye los gastos de trasportación erogados para lograr cumplimiento de esta garantía en los domicilios diversos señalados.

Para hacer efectiva esta garantía deberá presentar su herramienta y esta póliza sellada por el establecimiento comercial donde se adquirió el producto. Nos comprometemos a entregar el producto en un lapso no mayor a 30 días hábiles contados a partir de la fecha de recepción del mismo en nuestros talleres de servicio autorizados.

ESTA GARANTIA NO APLICA CUANDO:

El producto se hubiese utilizado en condiciones distintas a las normales.

El producto no hubiese sido operado de acuerdo con el instructivo de uso que se acompaña.

El producto hubiese sido alterado o reparado por personas no autorizadas por nosotros.

Importador: Black & Decker S.A. de .C.V
Bosque de Cidros Acceso Radiatas No.42
3ra.Seccion de Bosques de las lomas
C.P.05120, Mexico, D.F.
Tel: (01 55) 5326 7100

ESPECIFICACIONES

Cargador: 100 - 200V ~ 50/60 Hz 0,1A
Salida: 7,2 - 24V DC @ 85mA

Grupo Realsa en herramientas, S.A. de C.V.

Súper Manzana 69 MZ.01 Lote 30
(Av. Torcasita)
Col. Puerto Juárez
Cancún, Quintana Roo
Tel. 01 998 884 72 27

Ferre Pat de Puebla, S.A. de C.V.

16 de Septiembre No. 6149
Col. El Cerrito
Puebla, Puebla, Tel. 01 222 264 12 12

Ferre Pat de Puebla, S.A. de C.V.

Ejército Mexicano No. 15
Col. Ejido 1ro. de Mayo
Boca del Rio, Veracruz
Tel. 01 229 167 89 89

Servicio de Fabrica Black & Decker, S.A. de C.V.

Lázaro Cardenas No. 18
Col. Obrera
Distrito Federal, Tel. 55 88 95 02

Representaciones Industriales

Robles, S.A. de C.V.

Tezozomoc No. 89
Col. La Preciosa
Distrito Federal, Tel. 55 61 86 82

Gpo. Comercial de Htas. y

Refacciones de Occidente, S.A. de C.V.

Av. La Paz No. 1779
Col. Americana, S. Juaréz
Guadalajara, Jalisco
Tel. 01 33 38 25 69 78

Herramientas y Equipos Profesionales

Av. Colón 2915 Ote.
Col. Francisco I. Madero
Monterrey, Nvo. León
Tel. 01 81 83 54 60 06

Htas. Portátiles de Chihuahua, S.A. de C.V.

Av. Universidad No. 2903
Col. Fracc. Universidad
Chihuahua, Chihuahua
Tel. 01 614 413 64 04

Fernando González Armenta

Bolivia No. 605
Col. Felipe Carrillo Puerto
Cd. Madero, Tampico
Tel. 01 833 221 34 50

Perfiles y Herramientas de Morelia

Gertrudis Bocanegra No. 898
Col. Ventura Puente
Morelia, Michoacán
Tel. 01 443 313 85 50

Enrique Robles

Av. de la Solidaridad No. 12713
Col. La Pradera
Irapuato, Guanajuato
Tel. 01 462 626 67 39

Hernández Martínez Jeanette

Prolongación Corregidora Nte. No. 1104
Col. Arboledas
Queretaro, Qro.
Tel. 01 442 245 25 80

PARA OTRAS LOCALIDADES LLAME AL 01 800 847 2309 o 01 800 847 2312.

**Vea "Herramientas
eléctricas (Tools-Electric)"
- Páginas amarillas -
para Servicio y ventas**



**BLACK & DECKER S.A. DE C.V.
BOSQUES DE CIDROS ACCESO RADIATAS NO. 42
COL. BOSQUES DE LAS LOMAS.
05120 MÉXICO, D.F.
TEL. (01 55) 5326 7100
01 800 847 2309/01 800 847 2312**

Catalog Nos. PHV1210, PHV1810
Copyright © 2012 Black & Decker

PRINTED IN CHINA
FORM NO. 90587282 MAY 2012