

This Owner's Manual is provided and hosted by [Appliance Factory Parts](#).



Black & Decker BDH7200CHV Owner's Manual

[Shop genuine replacement parts for Black & Decker
BDH7200CHV](#)



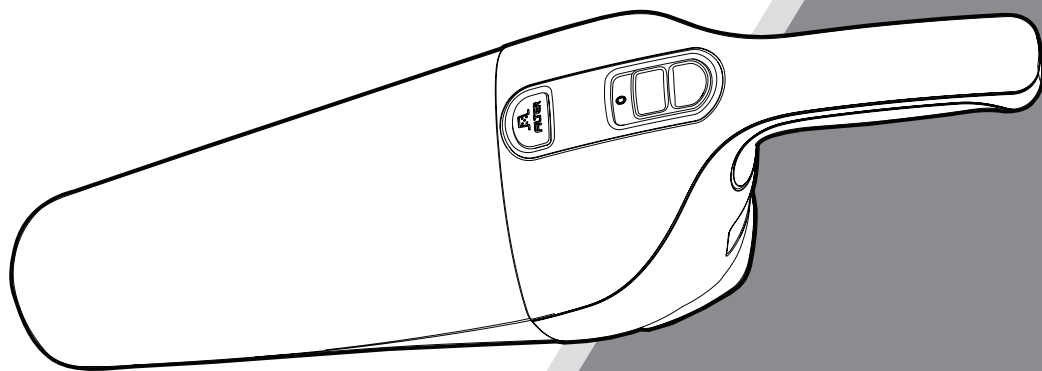
[Find Your Black & Decker Vacuum Cleaner Parts - Select From 339 Models](#)

----- Manual continues below -----



DUST BUSTERS

INSTRUCTION MANUAL



CATALOG NUMBERS
BDH7200CHV
BDH9600CHV

Thank you for choosing Black & Decker! To register your new product go to www.BlackandDecker.com/NewOwner

PLEASE READ BEFORE RETURNING THIS PRODUCT FOR ANY REASON.

If you have a question or experience a problem with your Black & Decker purchase, go to <http://www.blackanddecker.com/instantanswers>

If you can't find the answer or do not have access to the Internet, call 1-800-544-6986 from 8 a.m. to 5 p.m. EST Mon. - Fri. to speak with an agent. Please have the catalog number available when you call.

SAVE THIS MANUAL FOR FUTURE REFERENCE.

VEA EL ESPANOL EN LA CONTRAPORTADA.
INSTRUCTIVO DE OPERACIÓN, CENTROS DE SERVICIO Y PÓLIZA DE GARANTÍA.
ADVERTENCIA: LÉASE ESTE INSTRUCTIVO ANTES DE USAR EL PRODUCTO.

SAFETY GUIDELINES - DEFINITIONS

It is important for you to read and understand this manual. The information it contains relates to protecting **YOUR SAFETY and PREVENTING PROBLEMS**. The symbols below are used to help you recognize this information.

⚠ DANGER: Indicates an imminently hazardous situation which, if not avoided, will result in death or serious injury.

⚠ WARNING: Indicates a potentially hazardous situation which, if not avoided, could result in death or serious injury.

⚠ CAUTION: Indicates a potentially hazardous situation which, if not avoided, may result in minor or moderate injury.

NOTICE: Used without the safety alert symbol indicates potentially hazardous situation which, if not avoided, may result in property damage.

IMPORTANT SAFETY INSTRUCTIONS

When using an electrical appliances, basic precautions should always be followed, including the following:

READ ALL INSTRUCTIONS BEFORE USING THIS APPLIANCE.

⚠ WARNING: Read all safety warnings and all instructions. Failure to follow the warnings and instructions listed below may result in electric shock, fire and/or serious injury.

⚠ WARNING: Some household dust contains chemicals known to the State of California to cause cancer, birth defects or other reproductive harm such as asbestos and lead in lead based paint.

⚠ WARNING: To reduce the risk of fire, electrical shock or injury:

- **⚠ WARNING:** To reduce the risk of electric shock – Do not use outdoors or on wet surfaces.
- Do not allow to be used as a toy. Close attention is necessary when used by or near children.
- Use only as described in this manual. Use only manufacturer's recommended attachments.
- Do not use with damaged cord or plug. If appliance is not working as it should, has been dropped, damaged, left outdoors, or dropped into water, return it to a service center.
- Do not pull or carry by cord, use cord as a handle, close a door on cord, or pull cord around sharp edges or corners. Do not run appliance over cord. Keep cord away from heated surfaces.
- Do not unplug by pulling on cord. To unplug, grasp the plug, not the cord.
- Do not handle charger, including charger plug, and charger terminals with wet hands.
- Do not put any object into openings. Do not use with any opening blocked; keep free of dust, lint, hair, and anything that may reduce air flow.
- Keep hair, loose clothing, fingers, and all parts of body away from openings and moving parts.
- Use extra care when cleaning on stairs.
- Do not use to pick up flammable or combustible liquids, such as gasoline, or use in areas where they may be present.
- Do not pick up anything that is burning or smoking, such as cigarettes, matches, or hot ashes.
- Do not use without dust bag and/or filters in place.
- Do not charge the unit outdoors.
- Use only the charger supplied by the manufacturer to recharge.
- Do not incinerate the appliance even if it is severely damaged. The batteries can explode in a fire.
- This appliance is intended for household use only and not for commercial or industrial use.

- Shock Hazard. To protect against risk of electrical shock, do not put unit or charging base in water or other liquid.
- Do not allow the cord to hang over the edge of a table or counter or touch hot surfaces. The unit should be placed or mounted away from sinks and hot surfaces.
- Plug the charger directly into an electrical outlet.
- Use the charger only in a standard electrical outlet (120V/60Hz).
- Unplug the charger from outlet before any routine cleaning or maintenance.
- This product includes rechargeable nickel cadmium batteries. Do not incinerate batteries as they will explode at high temperatures.
- Leaks from battery cells can occur under extreme conditions. If the liquid, which is a 20-35% solution of potassium hydroxide, gets on the skin (1) wash quickly with soap and water or (2) neutralize with a mild acid such as lemon juice or vinegar. If the liquid gets into the eyes, flush them immediately with clean water for a minimum of 10 minutes. Seek medical attention.
- Do not look into the air vents when the unit is switched on, as sometimes there is a possibility of small debris being discharged from the air vents, especially after cleaning / replacement of the filters as debris inside the unit can be disturbed.

SAVE THESE INSTRUCTIONS

Symbols


- The label on your tool may include the following symbols. The symbols and their definitions are as follows:


V.....volts

Hz.....hertz

minminutes

direct current

 Class I Construction
(grounded)

 Class II Construction
(double insulated)

A.....amperes

W.....watts

alternating current

n₀no load speed

earthing terminal

safety alert symbol

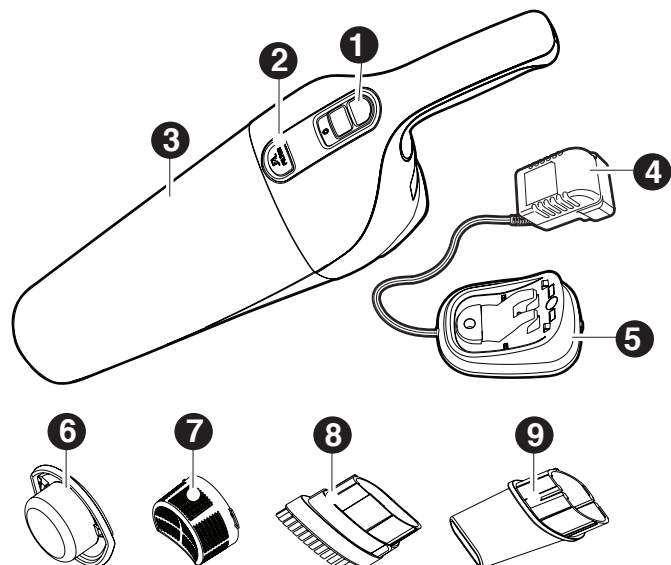
.../min or rpm........revolutions or reciprocation
per minute

FUNCTIONAL DESCRIPTION

1. On/off switch
2. Bowl release button
3. Dust bowl
4. Charger
5. Charging bracket
6. Dry pick up cloth filter
7. Pre-filter

BDH9600CHV Only

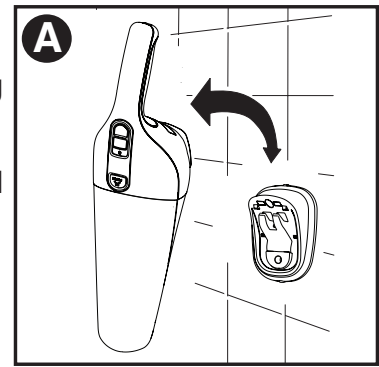
8. Brush tool
9. Crevice tool



Wall Mounting - Figure A

The product can be attached to a wall to provide a convenient storage and charging point for the appliance. When mounting to a wall, make sure the mounting method is suitable for the wall type and is appropriate to the weight of the appliance.

- Mark the location of the charger (5) screw holes on the wall (within reach of an electrical outlet for charging the vacuum while it is on the wall bracket).
- Fix the mounting bracket to the wall using appropriate screws and plugs for the type of wall, and weight of the appliance.
- Hang the appliance by placing the opening of the vacuum base over the hooks in the wall mount charging bracket.



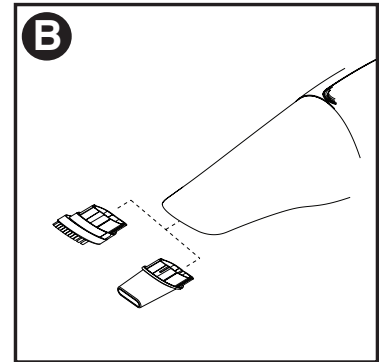
Assembly Accessories - Figure B

Model BDH9600CHV is supplied with some of the following accessories:

- A brush tool (8) for furniture and stairs.
- A crevice tool (9) for confined spaces.

Fitting

- Insert the appropriate accessory into the front of the appliance as show in **Figure B**.
- Make sure the accessory is fully pushed in.



Charging the battery

- Before first use, the battery must be charged for at least 24 hours.
- Place the appliance on the charging bracket whenever it is not in use.

⚠ WARNING: Before charging, be sure to empty all contents and dry thoroughly if needed to avoid damage to your appliance.

- Make sure the appliance is switched off. The battery will not be charged when the on/off switch (1) is in the on position.
- Place the appliance on the charging bracket (5).
- Plug in the charger.
- Leave the appliance to charge for at least 21 hours.

While charging, the charger may become warm. This is normal and does not indicate a problem. The appliance can be left connected to the charger indefinitely.

⚠ WARNING: Do not charge the battery at ambient temperatures below 50 °F or above 104 °F.

Switching on and off - Figure C

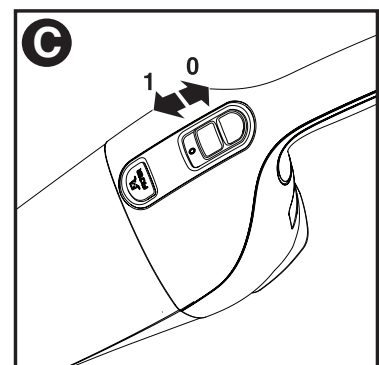
- To switch the appliance on, slide the on/off switch (1) forward to position 1.
- To switch the appliance off, slide the on/off switch (1) back to position 0.

Dry pick up

- For everyday spills of dry material.
- Do not fill the dust bowl (3) beyond the end of the intake chute.

Optimizing the suction force

In order to keep the suction force optimised, the filters must be cleared regularly during use.



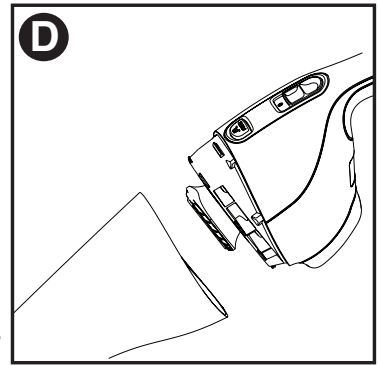
Emptying and cleaning the product.

Removing the dust bowl and filters - Figures D & E

⚠ **WARNING:** The filters are reusable and should be cleaned regularly.

- Press the bowl release button (2) and pull the dust bowl (3) straight off as shown in **Figure D**.
- While holding the dust bowl over a bin or sink, pull out the filter to empty the contents as shown in **Figure E**.
- To replace the dust bowl, push it back onto the handle until it clicks firmly into place.

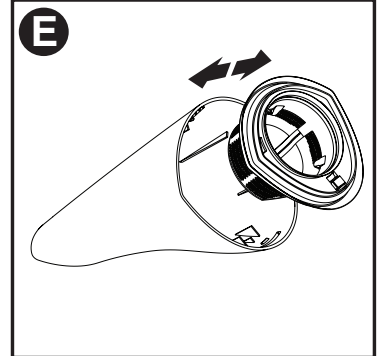
⚠ **WARNING:** Never use the appliance without the filters. Optimum dust collection will only be achieved with clean filters.



Pre-filter - Figure F

The filter and pre-filter must be separated to clean fine debris from the filter. Dirt between the filter and pre-filter must be cleaned out regularly for optimum performance.

- Twist the pre-filter (7) counterclockwise and lift the filter (6).

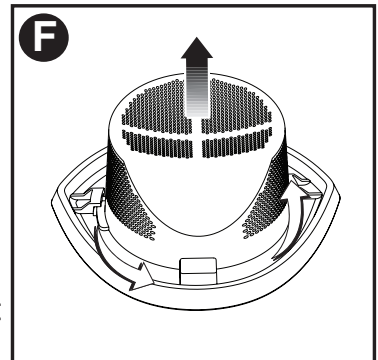


Cleaning the dust bowls and filters

- The dust bowls and filters can be washed in warm soapy water.
- Make sure the filters and the dust bowl are dry before re-fitting.

Replacing the filters

The filters should be replaced every 6 to 9 months and whenever worn or damaged. Replacement filters (catalog number EVF100) are available from your Black & Decker dealer.



MAINTENANCE

Use only mild soap and damp cloth to clean the vac. Never let any liquid get inside the vac; never immerse any part of the vac into a liquid.

⚠ **WARNING:** Make sure the vacuum is completely dry before using it.

IMPORTANT: To assure product SAFETY and RELIABILITY, repairs, maintenance and adjustment (other than those listed in this manual) should be performed by authorized service centers or other qualified service organizations, always using identical replacement parts.

THE RBRC™ SEAL

The RBRC™ (Rechargeable Battery Recycling Corporation) Seal on the nickel-cadmium battery (or battery pack) indicates that the costs to recycle the battery (or battery pack) at the end of its useful life have already been paid by Black & Decker. In some areas, it is illegal to place spent nickel-cadmium batteries in the trash or municipal solid waste stream and the RBRC program provides an environmentally conscious alternative.

RBRC in cooperation with Black & Decker and other battery users, has established programs in the United States and Canada to facilitate the collection of spent nickel-cadmium batteries. Help protect our environment and conserve natural resources by returning the spent nickel-cadmium battery to an authorized Black & Decker service center or to your local retailer for recycling. You may also contact your local recycling center for information on where to drop off the spent battery, or call **1-800-8-BATTERY**.



Accessories

Recommended accessories for use with your appliance are available from your local dealer or authorized service center. If you need assistance regarding accessories, please call: **1-800-544-6986**.

⚠ WARNING: The use of any accessory not recommended for use with this appliance could be hazardous.

Service Information

All Black & Decker Service Centers are staffed with trained personnel to provide customers with efficient and reliable power tool service. Whether you need technical advice, repair, or genuine factory replacement parts, contact the Black & Decker location nearest you. To find your local service location, refer to the yellow page directory under "Tools—Electric" or call: **1-800-544-6986** or visit **www.blackanddecker.com**

Limited Two-Year Home Use Warranty

Black & Decker (U.S.) Inc. warrants this product for two years against any defects in material or workmanship. The defective product will be replaced or repaired at no charge in either of two ways.

The first, which will result in exchanges only, is to return the product to the retailer from whom it was purchased (provided that the store is a participating retailer). Returns should be made within the time period of the retailer's policy for exchanges (usually 30 to 90 days after the sale). Proof of purchase may be required. Please check with the retailer for their specific return policy regarding returns that are beyond the time set for exchanges.

The second option is to take or send the product (prepaid) to a Black & Decker owned or authorized Service Center for repair or replacement at our option. Proof of purchase may be required. Black & Decker owned and authorized Service Centers are listed under "Tools-Electric" in the yellow pages of the phone directory.

This warranty does not apply to accessories. This warranty gives you specific legal rights and you may have other rights which vary from state to state or province to province. Should you have any questions, contact the manager of your nearest Black & Decker Service Center. This product is not intended for commercial use.

LATIN AMERICA: This warranty does not apply to products sold in Latin America. For products sold in Latin America, check country specific warranty information contained in the packaging, call the local company or see the website for warranty information.

FREE WARNING LABEL REPLACEMENT: If your warning labels become illegible or are missing, call **1-800-544-6986** for a free replacement.

Imported by
Black & Decker (U.S.) Inc.,
701 E. Joppa Rd.
Towson, MD 21286 U.S.A.

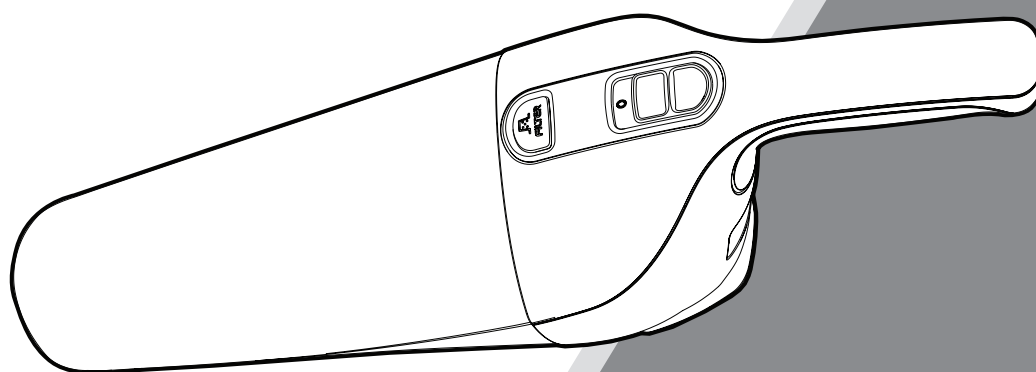


See 'Tools-Electric'
– Yellow Pages –
for Service & Sales





ASPIRATEURS DUST BUSTER MODE D'EMPLOI



**NUMÉRO DE CATALOGUE
BDH7200CHV
BDH9600CHV**

Merci d'avoir choisi Black & Decker! Consulter le site Web www.BlackandDecker.com/NewOwner pour enregistrer votre nouveau produit.

À LIRE AVANT DE RETOURNER CE PRODUIT POUR QUELQUE RAISON QUE CE SOIT :

Si des questions ou des problèmes surgissent après l'achat d'un produit Black & Decker, consulter le site Web www.blackanddecker.com/instantanswers pour obtenir des réponses instantanément 24 heures par jour. Si la réponse est introuvable ou en l'absence d'accès à l'Internet, composer le 1 800 544-6986 de 8 h à 17 h HNE, du lundi au vendredi, pour parler avec un agent. Prière d'avoir le numéro de catalogue sous la main lors de l'appel.


Pour l'achat d'un filtre de rechange composer le 1-888-678-7278

CONSERVER CE MODE D'EMPLOI POUR UN USAGE ULTÉRIEUR.
pour usage domestique seulement.

LIGNES DIRECTRICES EN MATIÈRE DE SÉCURITÉ - DÉFINITIONS

Il est important que vous lisiez et compreniez ce mode d'emploi. Les informations qu'il contient concernent VOTRE SÉCURITÉ et visent à ÉVITER TOUT PROBLÈME. Les symboles ci-dessous servent à vous aider à reconnaître cette information.

 **DANGER** : Indique une situation dangereuse imminente qui, si elle n'est pas évitée, causera la mort ou des graves blessures.

 **AVERTISSEMENT** : Indique une situation potentiellement dangereuse qui, si elle n'est pas évitée, pourrait causer la mort ou de graves blessures.


 **MISE EN GARDE** : Indique une situation potentiellement dangereuse qui, si elle n'est pas évitée, pourrait causer des blessures mineures ou modérées.


AVIS : Utilisé sans le symbole d'alerte à la sécurité, indique une situation potentiellement dangereuse qui, si elle n'est pas évitée, peut résulter en des dommages à la propriété.

CONSIGNES DE SÉCURITÉ IMPORTANTES


Lors de l'utilisation d'appareils électriques, toujours observer des précautions de base, notamment les suivantes :

LIRE TOUTES LES CONSIGNES AVANT D'UTILISER L'APPAREIL ÉLECTRIQUE.

 **AVERTISSEMENT** : Lire tous les avertissements de sécurité et toutes les consignes. Le non-respect des avertissements et des directives ci-dessous peut entraîner des risques de choc électrique, d'incendie ou de blessures graves.

 **AVERTISSEMENT** : Certaines poussières domestiques contiennent des produits chimiques identifiés par l'État de Californie comme pouvant causer le cancer, des anomalies congénitales et d'autres dangers pour la reproduction, tels que l'amiante et le plomb contenu dans les peintures au plomb.

 **AVERTISSEMENT** : Pour réduire les risques d'incendie, de choc électrique ou de blessures :

 **AVERTISSEMENT** : Afin de réduire le risque de choc électrique, ne pas utiliser à l'extérieur ou sur une surface mouillée.

- Ne pas permettre l'utilisation de l'appareil comme jouet. Une étroite surveillance est nécessaire si l'appareil est utilisé par des enfants ou près de ceux-ci.
- Utiliser l'appareil uniquement selon les indications données dans le présent manuel. Utiliser uniquement les accessoires recommandés par le fabricant.
- Ne pas utiliser l'appareil si sa fiche ou son cordon est endommagé. Si un appareil ne fonctionne pas comme il devrait, s'il est tombé au sol ou dans l'eau, s'il est endommagé ou s'il a été laissé à l'extérieur, l'envoyer à un centre de réparation.
- Ne pas tirer sur le cordon, ni transporter l'outil par le cordon, ne pas utiliser le cordon comme poignée, ni fermer une porte dessus, ni tirer le cordon contre des bords tranchants ou des coins. Ne pas passer l'appareil sur le cordon. Tenir le cordon éloigné des surfaces chauffées.
- Ne pas débrancher l'appareil en tirant sur son cordon. Pour le débrancher, saisir la fiche et non le cordon.
- Ne pas manipuler la fiche si vous avez les mains mouillées.
- Ne pas insérer d'objet dans les ouvertures de l'appareil. Ne pas utiliser l'appareil si ses ouvertures sont bouchées; les tenir exemptes de poussière, de peluche, de cheveux et de toute chose pouvant réduire la circulation d'air.
- Tenir les cheveux, les vêtements, les doigts et toutes les parties du corps à distance des ouvertures et des pièces mobiles.
- Être très prudent lors du nettoyage des escaliers.
- Ne pas utiliser cet appareil pour ramasser des liquides inflammables ou des combustibles comme de l'essence et ne pas l'utiliser dans les endroits où ces substances sont présentes.

- Ne pas ramasser de matières brûlantes ou fumantes comme des cigarettes, des allumettes ou des cendres chaudes.
- Utiliser uniquement l'appareil si le sac à poussière, les filtres ou les deux sont en place.
- Ne pas charger l'appareil à l'extérieur.
- L'appareil est conçu pour une utilisation domestique seulement et non industrielle ou commerciale.
- Risque de décharge électrique. Afin de se protéger contre les risques de décharge électrique, ne pas immerger l'appareil dans l'eau ou tout autre liquide.
- Ne pas laisser le cordon pendre sur le bord d'une table ou d'un comptoir, ni toucher des surfaces chaudes. L'appareil doit être placé ou fixé loin de tout évier et de toute surface chaude.
- Brancher l'appareil directement dans une prise électrique.
- Brancher uniquement l'appareil dans une prise électrique d'automobile standard.
- Débrancher l'appareil avant tout nettoyage ou entretien de routine.
- Ne pas regarder dans les événements lorsque l'appareil est en marche, car il arrive parfois que de petits débris s'en échappent, surtout après un nettoyage ou un remplacement de filtre qui aurait tendance à les libérer.

CONSERVER CES DIRECTIVES

Symboles

- L'étiquette apposée sur votre outil pourrait comprendre les symboles suivants. Les symboles et leurs définitions sont indiqués ci-après :

V..... volts

Hz..... hertz

min..... minutes

== courant continu

ⓘ..... Construction de classe I
(mis à la terre)

□ Construction de classe II
.../min..... tours à la minute

A..... ampères

W..... watts

~ courant alternatif

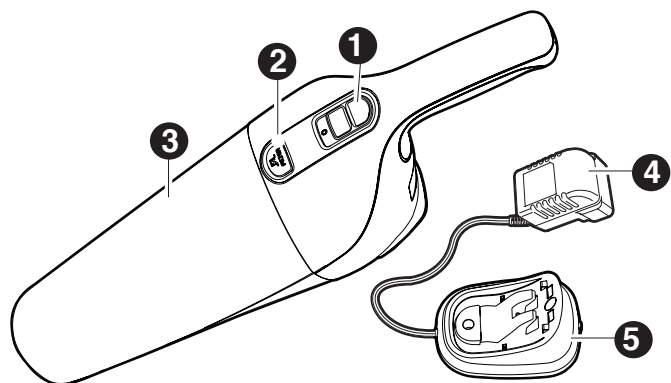
no sous vide

⊖ borne de mise à la minute

⚠ symbole d'avertissement

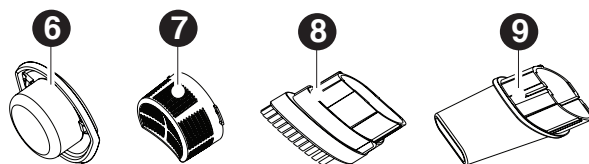
DESCRIPTION FONCTIONNELLE

1. Interrupteur marche/arrêt
2. Bouton de dégagement du réservoir
3. Réservoir à poussière
4. Chargeur
5. Support de charge
6. Filtre en tissu pour un ramassage de déchets secs
7. Préfiltre



BDH9600CHV seulement

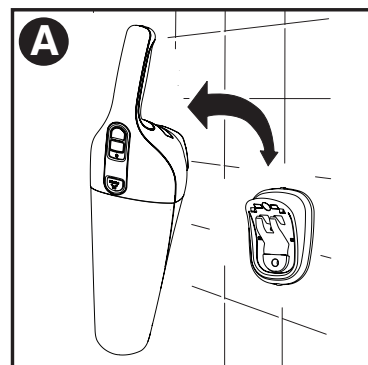
8. Brosse
9. Suceur plat



Fixation murale – figure A

Le produit peut être fixé à un mur pour assurer un rangement pratique et servir de point de charge pour l'appareil. Pour la fixation au mur, s'assurer que la méthode de fixation convient au type de mur et au poids de l'appareil.

- Marquer l'emplacement des trous de vis (5) du chargeur sur le mur (à proximité d'une prise électrique pour la charge de l'aspirateur lorsqu'il est fixé au support mural).
- Fixer le support mural au mur à l'aide des vis et des chevilles convenant au type de mur et au poids de l'appareil.
- Suspender l'appareil en plaçant l'ouverture, pratiquée à la base de l'aspirateur, sur les crochets du support de charge fixé au mur.



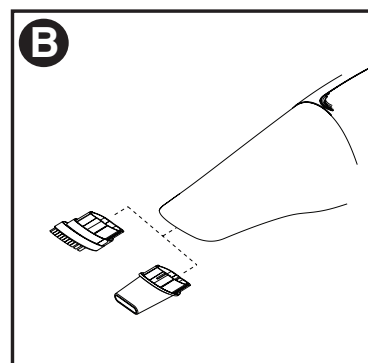
Assemblage des accessoires – figure B

Le modèle BDH9600CHV est fourni avec quelques-uns des accessoires suivants :

- Une brosse (8) pour le mobilier et l'escalier.
- Un suceur plat (9) pour les espaces restreints.

Ajustement

- Insérer l'accessoire approprié à l'avant de l'appareil comme le montre la **figure B**.
- S'assurer que l'accessoire est bien enfoncé.



Chargement du bloc-piles

- Avant la première utilisation, le bloc-piles doit être chargé pendant au moins 24 heures.
- Placer l'appareil sur le support de charge lorsqu'il n'est pas utilisé.

⚠ AVERTISSEMENT : Avant de procéder à la charge, s'assurer de vider le contenu de l'aspirateur et bien l'assécher au besoin pour éviter de l'endommager.

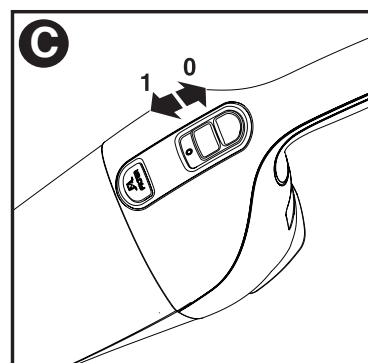
- S'assurer que l'appareil est éteint. Le bloc-piles ne se chargera pas si l'interrupteur marche/arrêt (1) est en position de marche.
- Mettre l'appareil sur le support de charge (5).
- Brancher le chargeur.
- Laisser l'appareil se charger pendant au moins 21 heures.

Pendant la charge, le chargeur peut devenir chaud. C'est normal et cela n'indique pas de problème. On peut laisser l'appareil branché indéfiniment au chargeur.

⚠ AVERTISSEMENT : Ne pas charger le bloc-piles à des températures ambiantes inférieures à 10 °C (50 °F) ou supérieures à 40 °C (104 °F).

Mise en marche et arrêt – figure C

- Pour mettre l'appareil en marche, coulisser l'interrupteur marche/arrêt (1) vers l'avant, à la position 1.
- Pour arrêter l'appareil, coulisser l'interrupteur marche/arrêt (1) vers l'arrière, à la position 0.



Ramassage des déchets secs

- Pour les dégâts quotidiens de matières sèches.
- Ne pas remplir le réservoir (3) au-delà de l'extrémité de la goulotte d'admission.

Optimisation de la force d'aspiration

Pour maintenir au maximum la force d'aspiration, il est nécessaire de nettoyer régulièrement les filtres pendant l'utilisation.

Vidage et nettoyage du produit.

Déposer le réservoir à poussière et les filtres – figures D et E

⚠ **AVERTISSEMENT** : Les filtres sont réutilisables et doivent être nettoyés régulièrement.

- Enfoncer le bouton de dégagement (2) du réservoir et retirer le réservoir à poussière (3) en ligne droite comme le montre la **figure D**.
- Tenir le réservoir à poussière au-dessus d'une poubelle ou d'un évier, puis retirer le filtre pour vider le contenu du réservoir comme le montre la **figure E**.
- Pour réinstaller le réservoir à poussière, le remettre sur la poignée de manière à ce qu'il s'enclenche en position.

⚠ **AVERTISSEMENT** : Ne jamais utiliser l'appareil sans les filtres. Une aspiration optimale des poussières ne sera obtenue qu'avec des filtres propres.

Préfiltre – figure F

Le filtre et le préfiltre doivent être séparés afin d'éliminer les débris fins du filtre. Il faut éliminer régulièrement la saleté qui s'incruste entre le filtre et le préfiltre pour une performance optimale.

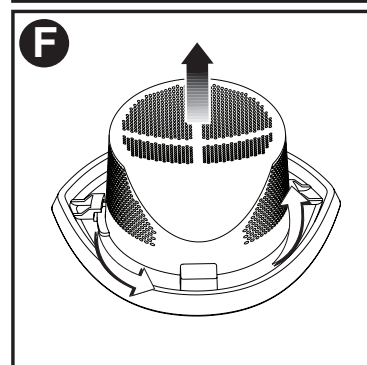
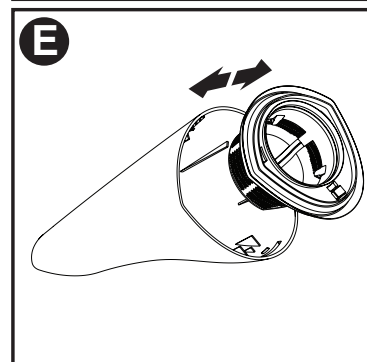
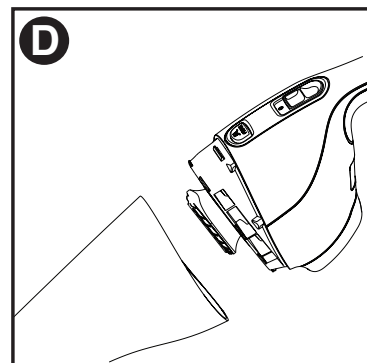
- Tourner le préfiltre (7) dans le sens antihoraire, puis soulever le filtre (6).

Nettoyage du réservoir à poussière et des filtres

- Il est possible de laver le réservoir à poussière et les filtres à l'eau chaude savonneuse.
- S'assurer que les filtres et le réservoir à poussière sont secs avant de les remettre en place.

Remplacement des filtres

Les filtres doivent être remplacés tous les 6 à 9 mois et chaque fois qu'ils sont usés ou endommagés. Des filtres de rechange (no de cat. EVF100) sont offerts auprès du détaillant Black & Decker local.



ENTRETIEN

N'utiliser qu'un détergent doux et un chiffon humide pour nettoyer l'aspirateur. Ne jamais laisser de liquide pénétrer dans l'aspirateur et n'immerger aucune partie de l'aspirateur dans un liquide.

⚠ **AVERTISSEMENT** : S'assurer que l'aspirateur est complètement sec avant de l'utiliser.

IMPORTANT : Pour garantir la SÉCURITÉ et la FIABILITÉ du produit, les réparations, l'entretien et le réglage (autre que ceux énumérés dans ce manuel) doivent être réalisés par un centre de réparation agréé ou tout autre centre de réparation professionnel, et des pièces de rechange identiques doivent être utilisées.

Le SCEAU SRPRC™

Le sceau SRPRC™ apposé sur le bloc-piles au nickel cadmium indique que son coût de recyclage à la fin de sa vie utile sera payé par Black & Decker. Il est illégal de jeter les piles au nickel cadmium épuisées dans les poubelles ou dans le système municipal d'élimination des résidus solides. Le programme RBRC représente donc une alternative sensibilisée à l'environnement. La SRPRC™, en collaboration avec Black & Decker, ont établi aux États-Unis et au Canada des programmes facilitant la cueillette des piles au nickel cadmium épuisés. Black & Decker encourage ses utilisateurs à participer à son programme de protection de



l'environnement en retournant les piles usagées à un centre de réparation autorisé Black & Decker. On peut également communiquer avec le centre de recyclage de la région pour savoir où déposer les piles usées ou composer le **1-800-8-BATTERY**.

Accessoires

Les accessoires recommandés pouvant être utilisés avec l'appareil sont disponibles auprès du détaillant local ou du centre de réparation autorisé. Pour obtenir de l'aide concernant les accessoires, composer le : **1 800 544-6986**.

⚠ AVERTISSEMENT : L'utilisation de tout accessoire non recommandé avec cet appareil pourrait s'avérer dangereuse.

Information sur les réparations

Tous les centres de réparation Black & Decker sont dotés de personnel qualifié en matière d'outillage électrique; ils sont donc en mesure d'offrir à leur clientèle un service efficace et fiable. Que ce soit pour un avis technique, une réparation ou des pièces de rechange authentiques installées en usine, communiquer avec l'établissement Black & Decker le plus près de chez vous. Pour trouver l'établissement de réparation de votre région, consulter le répertoire des Pages jaunes à la rubrique « Outils électriques » ou composer le numéro suivant : **1 800 544-6986** ou consulter le site **www.blackanddecker.com**

Garantie limitée de deux ans pour une utilisation domestique

Black & Decker (É.-U.) Inc. garantit ce produit pour une durée de deux ans contre tout défaut de matériau ou de fabrication. Le produit défectueux sera remplacé ou réparé sans frais de l'une des deux façons suivantes :

La première façon consiste en un simple échange chez le détaillant qui l'a vendu (pourvu qu'il s'agisse d'un détaillant participant). Tout retour doit se faire durant la période correspondant à la politique d'échange du détaillant (habituellement, de 30 à 90 jours après l'achat). Une preuve d'achat peut être requise. Vérifier auprès du détaillant pour connaître sa politique concernant les retours hors de la période définie pour les échanges.

La deuxième option est d'apporter ou d'envoyer le produit (transport payé d'avance) à un centre de réparation autorisé ou à un centre de réparation de Black & Decker pour faire réparer ou échanger le produit, à notre discrétion. Une preuve d'achat peut être requise. Les centres Black & Decker et les centres de service autorisés sont répertoriés dans les pages jaunes, sous la rubrique « Outils électriques ».

Cette garantie ne s'applique pas aux accessoires. Cette garantie vous accorde des droits légaux spécifiques et vous pourriez avoir d'autres droits qui varient d'un État ou d'une province à l'autre. Pour toute question, communiquer avec le directeur du centre de réparation Black & Decker le plus près de chez vous. Ce produit n'est pas destiné à un usage commercial.

REPLACEMENT GRATUIT DES ÉTIQUETTES D'AVERTISSEMENT : si les étiquettes d'avertissement deviennent illisibles ou sont manquantes, composer le **1 800 544-6986** pour en obtenir le remplacement gratuit.

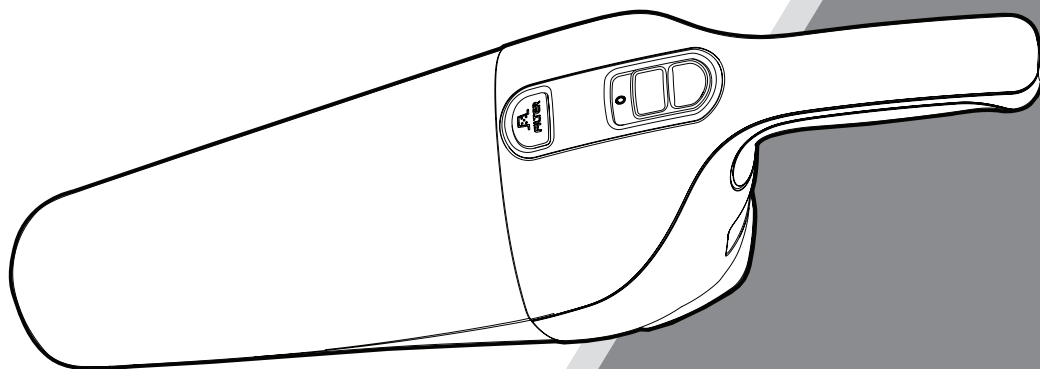
Imported by / Importé par
Black & Decker Canada Inc.
100 Central Ave.
Brockville (Ontario) K6V 5W6

Voir la rubrique "Outils
électriques"
des Pages Jaunes
pour le service et les ventes.





ASPIRADORAS DUST BUSTER MANUAL DE INSTRUCCIONES



**CATÁLOGO N°
BDH7200CHV
BDH9600CHV**

Gracias por elegir Black & Decker! Visite www.BlackandDecker.com/NewOwner para registrar su nuevo producto.

**LEA EL MANUAL ANTES DE DEVOLVER ESTE PRODUCTO POR
CUALQUIER MOTIVO:**

Si tiene una consulta o algún inconveniente con su producto Black & Decker, visite <http://www.blackanddecker.com/instantanswers> para obtener respuestas instantáneas las 24 horas del día.

Si no encuentra la respuesta o no tiene acceso a Internet, llame al 1-800-544-6986 de lunes a viernes de 8 a. m. a 5 p. m. hora del Este para hablar con un agente. Cuando llame, tenga a mano el número de catálogo.

Para comprar un filtro de repuesto llame al 1-888-678-7278.

**CONSERVE ESTE MANUAL PARA FUTURAS CONSULTAS.
SÓLO PARA USO DOMÉSTICO.**

PAUTAS DE SEGURIDAD/DEFINICIONES

Es importante que lea y comprenda este manual. La información que contiene se relaciona con la protección de SU SEGURIDAD y la PREVENCIÓN DE PROBLEMAS. Los símbolos que siguen se utilizan para ayudarlo a reconocer esta información.

⚠ PELIGRO: indica una situación de peligro inminente que, si no se evita, provocará la muerte o lesiones graves.

⚠ ADVERTENCIA: indica una situación de peligro potencial que, si no se evita, provocará la muerte o lesiones graves.

⚠ PRECAUCIÓN: indica una situación de peligro potencial que, si no se evita, provocará lesiones leves o moderadas.

AVISO: utilizado sin el símbolo de alerta de seguridad indica una situación de peligro potencial que, si no se evita, puede provocar daños en la propiedad.

INSTRUCCIONES DE SEGURIDAD IMPORTANTES

Al utilizar aparatos eléctricos, siempre deben seguirse algunas precauciones básicas, entre las que se incluyen:

LEA TODAS LAS INSTRUCCIONES ANTES DE UTILIZAR ESTE APARATO.

⚠ ADVERTENCIA: Lea todas las advertencias de seguridad y todas las instrucciones. El incumplimiento de cualquiera de las advertencias e instrucciones indicadas a continuación puede provocar una descarga eléctrica, un incendio y/o lesiones graves.

⚠ ADVERTENCIA: Algunos tipos de polvo doméstico contienen sustancias químicas, como el asbesto y el plomo de las pinturas a base plomo, reconocidas por el Estado de California como causantes de cáncer, defectos de nacimiento u otros problemas reproductivos.

⚠ ADVERTENCIA: Para disminuir el riesgo de incendio, descarga eléctrica o lesiones:

- ⚠ ADVERTENCIA:** Para reducir el riesgo de descarga eléctrica, no utilice la unidad al aire libre ni sobre superficies mojadas.
- No permita que se utilice como juguete. Debe prestar especial atención cuando los niños la utilicen o al utilizarla cerca de ellos.
 - Utilícela únicamente como se describe en este manual. Utilice únicamente aditamentos recomendados por el fabricante.
 - No utilice la unidad con el cable o el enchufe dañados. Si el aparato no funciona como corresponde, se ha caído, dañado, dejado al aire libre o sumergido en agua, devuélvalo a un centro de mantenimiento.
 - No arrastre ni transporte la unidad por el cable, no utilice el cable como un mango, no cierre una puerta sobre el cable ni tire de este cerca de bordes o esquinas filosas. No pase sobre el cable con el aparato funcionando. Mantenga el cable alejado de superficies calientes.
 - No desenchufe la unidad tirando del cable. Para desenchufarla, sujete el enchufe, no el cable.
 - No manipule el enchufe con las manos mojadas.
 - No inserte ningún objeto en los orificios de la unidad. No la utilice si alguno de los orificios está bloqueado, manténgala libre de polvo, pelusas, pelos y cualquier cosa que pueda reducir el flujo de aire.
 - Mantenga el cabello, las ropas holgadas, los dedos y todas las partes del cuerpo alejados de los orificios y de las piezas en movimiento.
 - Tenga mucho cuidado al limpiar en escaleras.
 - No utilice la unidad para recoger líquidos inflamables o combustibles, como gasolina, ni la utilice en áreas en las que estas sustancias puedan estar presentes.

- No recoja ninguna cosa que esté quemándose o humeante, como cigarrillos, fósforos o cenizas calientes.
- No utilice la unidad sin la bolsa para polvo y/o los filtros en su lugar.
- Este aparato está diseñado para uso doméstico solamente y no para uso comercial o industrial.
- Peligro de descarga eléctrica. Para protegerse contra el riesgo de descarga eléctrica, no ponga la unidad en agua u otro líquido.
- No permita que el cable cuelgue sobre el borde de una mesa o mostrador, o toque superficies calientes. La unidad debe colocarse o montarse lejos de fregaderos y superficies calientes.
- Enchufe la unidad directamente en un tomacorriente.
- Enchufe la unidad solo en un tomacorriente estándar de automóvil.
- Desenchufe la unidad del tomacorriente antes de realizar una limpieza o mantenimiento de rutina.
- No mire por los orificios de ventilación mientras la unidad esté encendida, ya que a veces existe la posibilidad de que pequeños residuos salgan disparados por dichos orificios, especialmente después de limpiar/reemplazar los filtros, ya que los residuos dentro de la unidad pueden desplazarse.

CONSERVE ESTE MANUAL

Símbolos

- La etiqueta de su herramienta puede incluir los siguientes símbolos. Los símbolos y sus definiciones son los siguientes:

V..... voltios

Hz..... hertz

min..... minutos

==== corriente directa

⚠..... Construcción Clase I
(mis à la terre)

□ Construcción de clase II

.../min..... revoluciones o minuto seguridad

A..... amperios

W..... vatios

~ corriente alterna

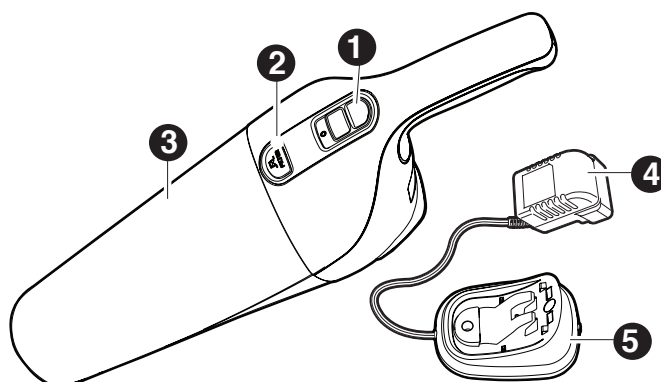
no no velocidad sin carga

⊖ terminal a tierra

⚠ simbolo de alerta

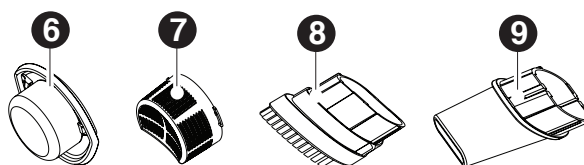
DESCRIPCIÓN DE LAS FUNCIONES

1. Interruptor de encendido/apagado
2. Botón de liberación del depósito
3. Depósito para polvo
4. Cargador
5. Soporte de carga
6. Filtro de tela para aspirado en seco
7. Prefiltro



Solo modelo BDH9600CHV

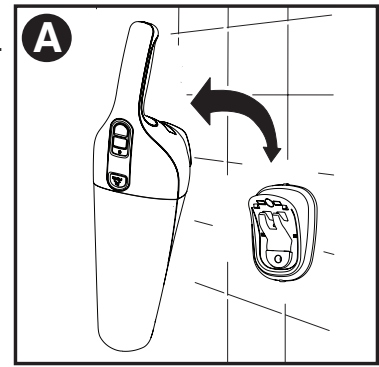
8. Herramienta con cepillo
9. Herramienta para ranuras



Montaje en la pared (Figura A)

El producto puede instalarse en una pared para proporcionar un lugar conveniente de almacenamiento y de carga para el aparato. Al instalarlo en una pared, asegúrese de que el método de montaje sea adecuado para el tipo de pared y el peso del aparato.

- En la pared, marque la ubicación de los orificios para los tornillos del cargador (5) (dentro del alcance de un tomacorriente para cargar la aspiradora mientras se encuentra en el soporte de la pared).
- Fije el soporte de montaje en la pared utilizando los tornillos y tacos adecuados para el tipo de pared y el peso del aparato.
- Cuelgue el aparato colocando la abertura de la base de la aspiradora sobre los ganchos del soporte de carga para montaje en la pared.



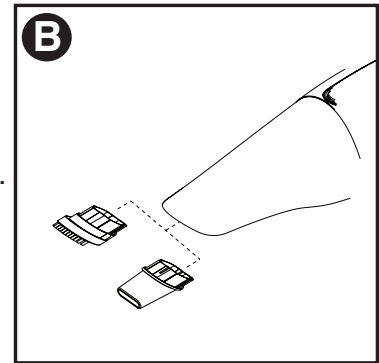
Accesorios de ensamblaje (Figura B)

El modelo BDH9600CHV incluye algunos de los siguientes accesorios:

- Una herramienta con cepillo (8) para muebles y escaleras.
- Una herramienta para ranuras (9) para espacios estrechos.

Instalación

- Inserte el accesorio correspondiente en la parte delantera del aparato como se muestra en la **Figura B**.
- Asegúrese de que el accesorio esté completamente inserto.



Carga de la batería

- Antes del primer uso, la batería debe cargarse durante 24 horas como mínimo.
- Coloque el aparato en el soporte de carga cuando no esté en uso.

⚠ ADVERTENCIA: Antes de cargar el aparato, asegúrese de vaciar todo el contenido y séquelo completamente para evitar que se dañe.

- Asegúrese de que el aparato esté apagado. La batería no se cargará cuando el interruptor de encendido/apagado (1) esté en la posición de encendido.
- Coloque el aparato en el soporte de carga (5).
- Enchufe el cargador.
- Deje que el aparato se cargue durante 21 horas como mínimo.

Durante la carga, es posible que el cargador se caliente. Esto es normal y no indica un problema. Se puede dejar el aparato conectado al cargador indefinidamente.

⚠ ADVERTENCIA: No cargue la batería a temperaturas de ambiente inferiores a 10 °C (50 °F) o superiores a 40 °C (104 °F).

Encendido y apagado (Figura C)

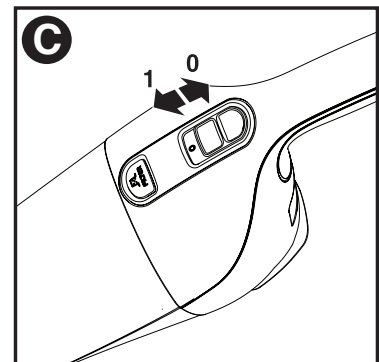
- Para encender el aparato, deslice el interruptor de encendido/apagado (1) hacia adelante a la posición 1.
- Para apagar el aparato, deslice el interruptor de encendido/apagado (1) hacia atrás a la posición 0.

Aspirado en seco

- Para vertidos cotidianos de material seco.
- No llene el depósito para polvo (3) más allá del final del conducto de entrada.

Optimización de la fuerza de succión

Para mantener la fuerza de succión optimizada, los filtros deben limpiarse periódicamente durante el uso.

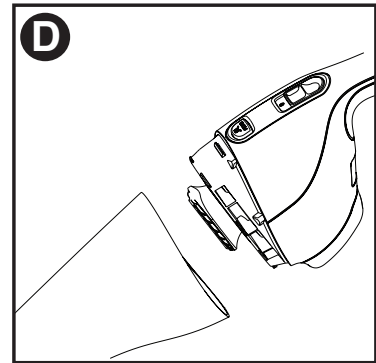


Vaciado y limpieza del producto.

Extracción del depósito para polvo y los filtros (Figuras D y E)

⚠ **ADVERTENCIA:** Los filtros son reutilizables y deben limpiarse periódicamente.

- Oprima el botón de liberación del depósito (2) y retire el depósito para polvo en línea recta (3) como se muestra en la **Figura D**.
- Mientras sostiene el depósito para polvo sobre una papelerera o fregadero, extraiga el filtro para vaciar el contenido como se muestra en la **Figura E**.
- Para reinstalar el depósito para polvo, vuelva a colocarlo sobre el mango hasta que encaje firmemente en su lugar y se escuche un clic.

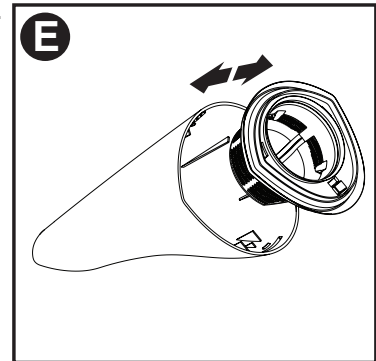


⚠ **ADVERTENCIA:** Nunca utilice el aparato sin los filtros. Solo se logrará una óptima recolección de polvo con filtros limpios

Prefiltro (Figura F)

El filtro y el prefiltro deben separarse para eliminar las partículas finas de suciedad del filtro. La suciedad entre el filtro y el prefiltro debe eliminarse periódicamente para un rendimiento óptimo.

- Gire el prefiltro (7) hacia la izquierda y quite el filtro (6).

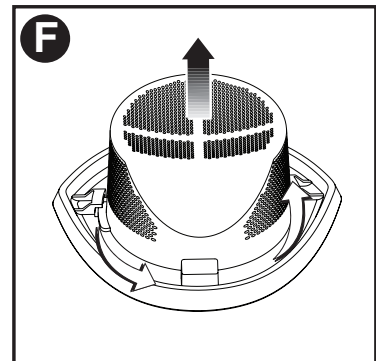


Limpieza de los depósitos para polvo y los filtros

- Los depósitos para polvo y los filtros pueden lavarse en agua jabonosa tibia.
- Asegúrese de que los filtros y el depósito para polvo estén secos antes de volver a instalarlos.

Reemplazo de los filtros

Los filtros deben reemplazarse cada 6 a 9 meses y cuando estén gastados o dañados. Puede encontrar filtros de repuesto (número de catálogo EVF100) en su distribuidor local de Black & Decker.



MANTENIMIENTO

Para limpiar la aspiradora, utilice solo jabón suave y un paño húmedo. Nunca permita que penetre líquido dentro de la aspiradora; nunca sumerja ninguna pieza de la aspiradora en un líquido.

⚠ **ADVERTENCIA:** Asegúrese de que la aspiradora esté completamente seca antes de utilizarla.

IMPORTANTE: Para garantizar la SEGURIDAD y CONFIABILIDAD del producto, las reparaciones, el mantenimiento y el ajuste (que no sean aquellos indicados en este manual) deben ser realizados por los centros de mantenimiento autorizados u otras organizaciones de mantenimiento calificadas, siempre utilizando piezas de repuesto idénticas.

EL SELLO RBRC™

El sello RBRC™ (Rechargeable Battery Recycling Corporation) en las baterías de níquel-cadmio, indica que Black & Decker ha pagado los costos de reciclado de las baterías al término de su vida útil. En algunas zonas, es ilegal deshacerse de las baterías usadas de níquel-cadmio por los medios de recolección de basura usuales, y el programa RBRC proporciona una alternativa protectora del ambiente.

RBRC en cooperación con el fabricante y otros usuarios de baterías, ha establecido una serie de programas en los Estados Unidos y en Canadá para facilitar la recolección de las baterías de níquel-cadmio desgastadas. Ayude a cuidar el medio ambiente y a proteger los recursos naturales devolviendo las baterías de níquel-cadmio usadas



a un centro de servicio Black & Decker o al distribuidor de su localidad para que las reciclen. Puede usted comunicarse al centro de reciclado de su localidad para que le proporcionen mayor información acerca de los sitios en los que puede desechar su batería usada, o llame al **1-800-8-BATTERY**.

Accesorios

Los accesorios recomendados para uso con el artefacto están disponibles en su distribuidor o centro de mantenimiento autorizado local. Si necesita ayuda con respecto a los accesorios, llame al: **1-800-544-6986**.

⚠️ ADVERTENCIA: El empleo de cualquier accesorio no recomendado para uso con este artefacto puede ser peligroso

Información de mantenimiento

Todos los Centros de servicio de Black & Decker cuentan con personal altamente capacitado dispuesto a brindar a todos los clientes un servicio eficiente y confiable en la reparación de herramientas eléctricas. Si necesita consejo técnico, reparaciones o piezas de repuesto originales de fábrica, póngase en contacto con el centro de servicio de Black & Decker más cercano a su domicilio. Para ubicar su centro de servicio local, consulte la sección "Herramientas eléctricas" (Tools-Electric) de las páginas amarillas, llame al **1-800-544-6986** o visite nuestro sitio **www.blackanddecker.com**.

Dos años de garantía limitada para uso en el hogar

Black & Decker (Estados Unidos) Inc. ofrece una garantía de dos años por cualquier defecto del material o de fabricación de este producto. El producto defectuoso se reparará o reemplazará sin costo alguno de dos maneras.

La primera opción, el reemplazo, es devolver el producto al comercio donde se adquirió (siempre y cuando se trate de un comercio participante). Las devoluciones deben realizarse conforme a la política de devolución del comercio (generalmente, entre 30 y 90 días posteriores a la venta). Le pueden solicitar comprobante de compra. Consulte en el comercio acerca de la política especial sobre devoluciones una vez excedido el plazo establecido.

La segunda opción es llevar o enviar el producto (con flete pago) a un Centro de servicio propio o autorizado de Black & Decker para su reparación o reemplazo según nuestro criterio. Le pueden solicitar el comprobante de compra. Los Centros de servicio autorizados y de propiedad de Black & Decker se detallan en la sección "Herramientas eléctricas" (Tools-Electric) de las páginas amarillas de la guía telefónica.

Esta garantía no se extiende a los accesorios. Esta garantía le concede derechos legales específicos; usted puede tener otros derechos que pueden variar según el estado o la provincia. Si tiene alguna pregunta, comuníquese con el gerente del Centro de servicio de Black & Decker de su zona. Este producto no está diseñado para uso comercial.

AMÉRICA LATINA: esta garantía no se aplica a los productos que se venden en América Latina. Para los productos que se venden en América Latina, debe consultar la información de la garantía específica del país que viene en el empaque, llamar a la compañía local o visitar el sitio Web a fin de obtener esa información.

**· GARANTÍA BLACK & DECKER · BLACK & DECKER WARRANTY
· SOLAMENTE PARA PROPOSITOS DE MEXICO**

Distributor Name · *Sello firma del distribuidor*

Date of purchase · *Fecha de compra*

Invoice No. · No. de factura

PRODUCT INFORMATION · IDENTIFICACIÓN DEL PRODUCTO

Cat. No. · *Catalogo ó Modelo*

Serial Number · No. de serie

Name · *Nombre*

Last Name · Apellido

Address · *Dirección*

City · *Ciudad*

State · Estado

Postal Code · *Código Postal*

Country · País

Telephone · *No. Teléfono*

2 AÑOS DE GARANTIA

Este producto cuenta con dos años de garantía a partir de la fecha de compra contra cualquier defecto de su funcionamiento, así como cualquier falla debido a materiales empleados para su fabricación ó mano de obra defectuosa.

Nuestra garantía incluye la reparación o reposición del producto y/o componentes sin cargo alguno para el cliente incluyendo la mano de obra, esta incluye los gastos de trasportación erogados para lograr cumplimiento de esta garantía en los domicilios diversos señalados.

Para hacer efectiva esta garantía deberá presentar su herramienta y esta póliza sellada por el establecimiento comercial donde se adquirió el producto.

Nos comprometemos a entregar el producto en un lapso no mayor a 30 días hábiles contados a partir de la fecha de recepción del mismo en nuestros talleres de servicio autorizados.

ESTA GARANTIA NO APLICA CUANDO:

El producto se hubiese utilizado en condiciones distintas a las normales.

El producto no hubiese sido operado de acuerdo con el instructivo de uso que se acompaña.

El producto hubiese sido alterado o reparado por personas no autorizadas por nosotros.

Importador: Black & Decker S.A. de .C.V
Bosque de Cidros Acceso Radiatas No.42
3ra.Seccion de Bosques de las lomas
C.P.05120, Mexico, D.F. Tel: (01 55) 5326 7100

SOLAMENTE PARA PROPOSITOS DE MEXICO

Grupo Realsa en herramientas, S.A. de C.V.

Súper Manzana 69 MZ.01 Lote 30
(Av. Torcasita)
Col. Puerto Juárez
Cancún, Quintana Roo
Tel. 01 998 884 72 27

Ferre Pat de Puebla, S.A. de C.V.

16 de Septiembre No. 6149
Col. El Cerrito
Puebla, Puebla
Tel. 01 222 264 12 12

Ferre Pat de Puebla, S.A. de C.V.

Ejército Mexicano No. 15
Col. Ejido 1ro. de Mayo
Boca del Rio, Veracruz
Tel. 01 229 167 89 89

Servicio de Fabrica Black & Decker, S.A. de C.V.

Lázaro Cardenas No. 18
Col. Obrera
Distrito Federal
Tel. 55 88 95 02

Representaciones Industriales Robles, S.A. de C.V.

Tezozomoc No. 89
Col. La Preciosa
Distrito Federal
Tel. 55 61 86 82

Gpo. Comercial de Htas. y Refacciones de Occidente, S.A. de C.V.

Av. La Paz No. 1779
Col. Americana, S. Juaréz
Guadalajara, Jalisco
Tel. 01 33 38 25 69 78

Herramientas y Equipos Profesionales

Av. Colón 2915 Ote.
Col. Francisco I. Madero
Monterrey, Nvo. León
Tel. 01 81 83 54 60 06

Htas. Portátiles de Chihuahua, S.A. de C.V.

Av. Universidad No. 2903
Col. Fracc. Universidad
Chihuahua, Chihuahua
Tel. 01 614 413 64 04

Fernando González Armenta

Bolivia No. 605
Col. Felipe Carrillo Puerto
Cd. Madero, Tampico
Tel. 01 833 221 34 50

Perfiles y Herramientas de Morelia

Gertrudis Bocanegra No. 898
Col. Ventura Puente
Morelia, Michoacán
Tel. 01 443 313 85 50

Enrique Robles

Av. de la Solidaridad No. 12713
Col. La Pradera
Irapuato, Guanajuato
Tel. 01 462 626 67 39

Hernández Martínez Jeanette

Prolongación Corregidora Nte. No. 1104
Col. Arboledas
Queretaro, Qro.
Tel. 01 442 245 25 80

PARA OTRAS LOCALIDADES LLAME AL 01 800 847 2309 o 01 800 847 2312.

**Vea "Herramientas
eléctricas (Tools-Electric)"
– Páginas amarillas –
para Servicio y ventas**



BLACK & DECKER S.A. DE C.V.
BOSQUES DE CIDROS ACCESO RADIATAS NO. 42
COL. BOSQUES DE LAS LOMAS.
05120 MÉXICO, D.F.
TEL. (01 55) 5326 7100
01 800 847 2309/01 800 847 2312

**Cat. Nos. BDH7200CHV, BDH9600CHV
Copyright© 2013 Black & Decker**

**Form No. 90594547
Printed in China**

January 2013