

This Owner's Manual is provided and hosted by [Appliance Factory Parts](#).



Royal Gourmet PD1300 Owner's Manual


[Shop genuine replacement parts for Royal Gourmet PD1300](#)



[Find Your Royal Gourmet Grill Parts - Select From 56 Models](#)

----- Manual continues below -----



 Customer Service
1-800-618-6798

OWNER'S MANUAL



Model: PD1300

Series No.: 0918-C



Portable 3-Burner Gas Griddle

FOR YOUR SAFETY!

Use outdoors only! Do not use it inside a building, garage, or any other enclosed space. Read the instructions before assembling and using the appliance. DO NOT use the griddle unless it is completely assembled, and all the parts are securely fastened. This griddle will become very hot, do not move it during use. Keep away from children and pets.

CONTACT US FIRST!

This griddle has been made to high quality standards. If you have any questions that are not addressed in this Owner's Manual, or you need parts, please call our customer service hotline or send an email to service@royalgourmetusa.com. Please keep this Owner's Manual for future reference.

Learn more at:

www.royalgourmetcorp.com

For Your Safety 2-3

Preparation 4

Assembly Instructions 5

General Information and Instructions 6

 LP Gas and Cylinder Information 6

 Cylinder Specifications 7

 LP Cylinder Leak Test 8-9

Operating Instructions 10

Cleaning and Maintenance 11-12

Troubleshooting Guide 13-14

Grilling Recipes 15-16

Warranty and Customer Service 17

1. NOT store or use gasoline, or any flammable vapors and liquids within 8 meters (25 feet) of the griddle.
2. When cooking with oil/grease, do not allow the oil/grease to exceed 177 °C (350 °F).
DO NOT store extra cooking oil in the vicinity of the griddle.
3. The liquid propane (LP) tank (cylinder) not connected for use should be stored a minimum distance of 3 meters (10 feet) from griddle or any appliance.
Never fill the gas cylinder beyond 80 percent full. If the above instructions are not followed exactly, there would be a risk of fire that may cause serious injury or death.

In case of any issue, call us first! **DO NOT** return the griddle to the retailer. This griddle has been made to high quality standards. If you have any questions not addressed in this user's manual, or you need parts, please call our customer service hotline.

NOTE: The assembly and use of this griddle must conform to local codes. In the absence of local codes, use the National Gas and Propane Instruction Code. Read all instructions prior to assembly and use.

CAUTION:

1. This griddle is meant for use with propane gas only (propane gas cylinder not included).
2. Never attempt to attach this griddle to the self-contained propane system of a camper trailer, motor home, or house.
3. Never use charcoal or lighter fluid with gas griddles.
4. DO NOT use gasoline, kerosene, or alcohol for lighting. The LP gas cylinder to be used must be constructed and marked in accordance with the specifications for LP Gas cylinder of the U.S. Department of Transportation (DOT) or the National Standard of Canada, CAN/CSA-B339, Cylinders, Spheres and Tubes for Transportation of Dangerous Goods and Commission. This griddle is not intended to be used in or on recreational vehicles or boats.
5. DO NOT attempt to move the griddle while it is lit or hot.
6. DO NOT use the griddle unless it is completely assembled, and all parts are securely fastened and tightened.
7. DO NOT use the griddle or any gas products near unprotected combustible buildings and materials.
8. DO NOT use in the presence of gases or vapors. Keep the griddle area clear and free from combustible materials, gasoline, and other flammable vapors and liquids.
9. DO NOT touch metal parts of the griddle until it has completely cooled (about 45 minutes) to avoid burns, unless you are wearing protective gear (oven mitts, potholders, and etc.).
10. DO NOT alter the griddle in any manner.
11. Keep all combustible items and surfaces at least 91 cm (36 inches) from the griddle at all times.
12. Clean and inspect the hose before each use. If there is evidence of abrasion, wear, cuts, or leaks, the hose must be replaced before operating the griddle. The hose assembly replacement must be as per the manufacturer specifications specified by the manufacturer.
13. Move the gas hose as far away as possible from hot surfaces and dripping hot grease.
14. Never keep a filled LP gas cylinder in a hot car or truck. Heat will cause the gas pressure to increase, which may open the relief valve and allow the gas to escape.
15. Keep the griddle's valve compartment, burners, and circulating air passages clean. Inspect the griddle before each use.

WARNING:

1. This griddle is for outdoor use only and should not be used inside a building, garage, or any other enclosed space.
2. The consumption of alcohol, prescription, or non-prescription drugs may impair the operators' ability to properly assemble or safely operate the griddle.
3. Always place your griddle on a hard and level surface far away from combustibles.
4. Do not leave a lit griddle unattended. ALWAYS keep children and pets away from the griddle.
5. Do not place the griddle on any type of tabletop surface.
6. Do not use the griddle in high winds.

DANGER:

Liquid propane gas is flammable and hazardous if handled improperly. Understand the characteristics before using any propane product.

1. Propane characteristics: Flammable, explosive under pressure, heavier than air, settles in pools and low areas.
2. In its natural state, propane has no odor. For your safety, an odorant has been added.
3. Contact with propane can cause freeze burns to the skin.
4. This griddle is shipped from the factory for use with propane gas only.
5. Never use a propane cylinder with a damaged body, valve, collar, or footing.
6. Dented or rusted propane cylinders may be hazardous and should be checked by your propane gas supplier.

FOR YOUR SAFETY

1. Keep the griddle at least 90cm (36 inches) distance away from the combustible and noncombustible materials and walls of buildings.
2. Do not place the griddle where there are combustible surfaces overhead.

Preparation

Royal
Gourmet®

Before beginning assembly, make sure all parts are present. Compare parts with packaged contents list and diagram above. If any parts are missing or damaged, do not attempt to assemble the products. Contact customer service for replacement parts via telephone or email.



Phillips screwdriver



Slotted Screwdriver



Wrench

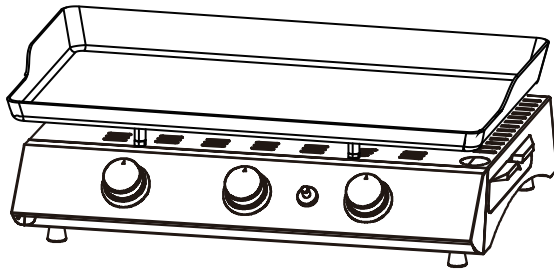
- Estimated assembly time: 10 minutes
- Tools required for assembly:
Phillips Screwdriver (not included) and Wrench (not included)
- Note: The right and left sides of the griddle are designed as if you are facing the front of the griddle.



CALIFORNIA PROPOSITION 65 WARNING

1. Fuels used in gas burning appliances and the combustion byproducts of such fuels, can expose you to chemicals including carbon monoxide, which is known to the State of California to cause birth defects or other reproductive harm.
2. This product contains Nickel (Metallic) known to the State of California to cause cancer.
3. This product contains Lead and Lead Compounds known to the State of California to cause cancer and birth defects or other reproductive harm.

For more information go to: www.P65Warnings.ca.gov

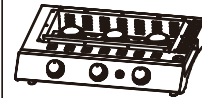


① Leg base 4 pcs



W-10030015

② Main body 1pc



③ Grease cup 1pc



W-10030011

④ Cooking 1 pc griddle



GHJP23B-B

⑤ Regulator 1pc



W-GD430012

A 2 pcs

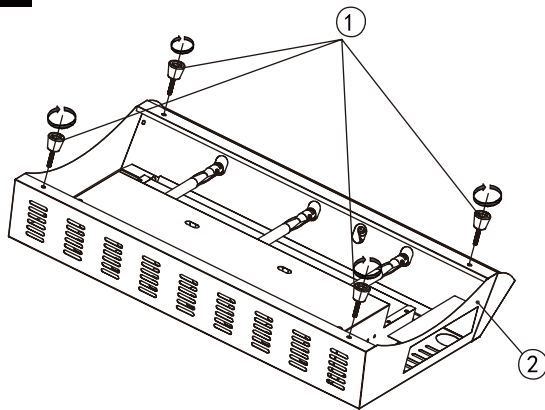


B 2 pcs



Please note: these parts are packed in a small box that is put under the firebox.

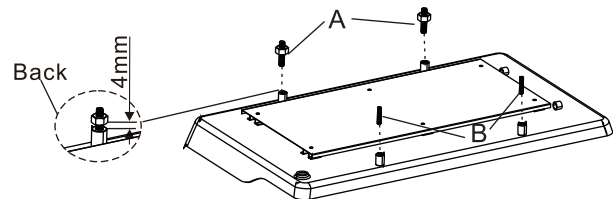
1



Assemble the leg bases (1) to the main body (2) by twisting clockwise as shown.

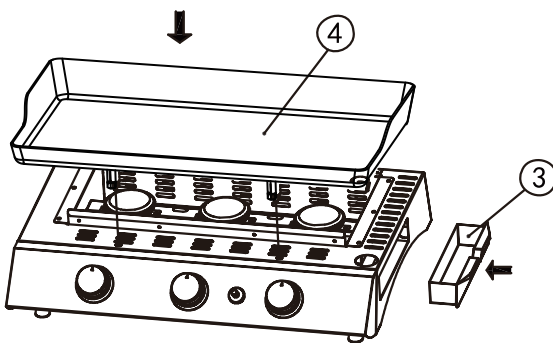
2

If you found the griddle is not positioned horizontally on the body, please adjust one or more griddle leg bases until the griddle is horizontal to the body.



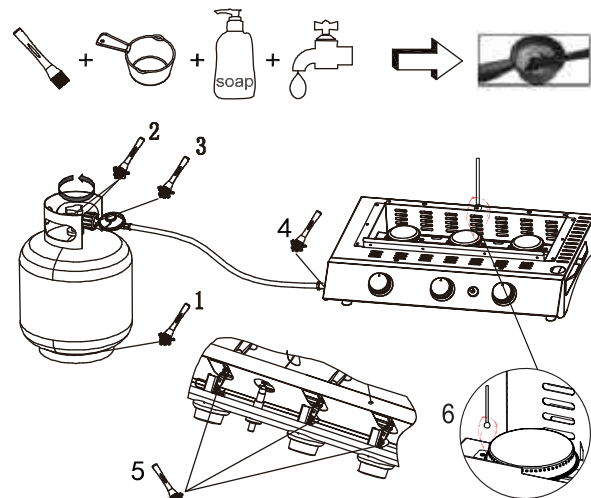
Twist 4 bolts (A), (B) into the bottom holes of the cooking griddle (4).

3



Place the cooking griddle onto the main body. Slide in the grease cup (3) into the brace as shown.

4



LP cylinder leak test

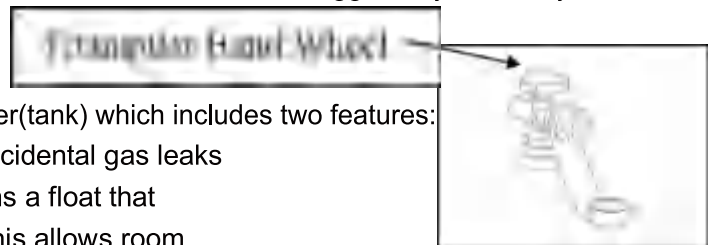
Your new griddle has been designed and manufactured to high quality standards. It will provide you with many years of fun grilling time, however, it requires a minimal amount of maintenance. Please keep in mind the following FOR YOUR SAFETY.

Operation

1. Your gas griddle requires reasonable care during operation. It will be hot during cooking and cleaning.
Never leave the griddle unattended or move the griddle when in use.
2. Children should never use your gas griddle. Keep younger children and pets away when in use,
3. Only use your gas griddle outside in a well-ventilated area. Never use indoors, including inside any building, garage, shed or under any type of flammable canopy or overhang.
4. Ensure your griddle is on level ground and the locking casters are locked before use!
5. Turn all gas valves off if the burners flame out while cooking.
6. Turn off the burners and shut off the LP tank in case of a grease fire.
7. Keep the grilling area clear and free from combustible materials, gasoline, and other flammable vapors and liquids.
8. Keep the ventilation openings of the tank enclosure free and clear from debris.
9. Do not lean over the griddle or touch the edges of the firebox, air vent, or griddle top when in use.
10. Do not obstruct the flow of air for combustion and ventilation.
11. Do not use charcoal briquettes, lava rock, or any type of ceramic product in the gas section of this griddle.
12. Do not install or use in a recreational vehicle or boats.

LP Gas and Cylinder Information

Your new gas griddle operates on LP (Liquified Petroleum) Gas. It is odorless, colorless, and non-toxic when produced. You can smell LP gas as it has been given an odor similar to rotten eggs, for your safety.

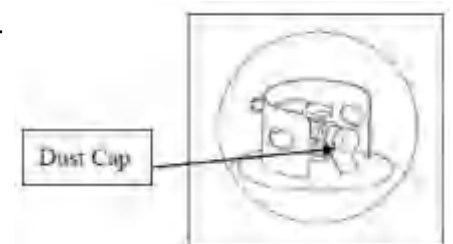


Your griddle uses the newest and safest LP gas cylinder (tank) which includes two features:

1. An OPD. (Overfill Protection Device) – prevents accidental gas leaks caused by overfilling of the tank. Each tank contains a float that closes the input valve when the tank is 80% full. This allows room for the propane gas to expand in hot temperatures. A triangular hand wheel distinguishes this type of tank.
2. An OCC1 Type1 Quick Connect Valve that provides fast tank hook-ups and requires only to be tightened by hand.

TRANSPORTATION AND STORAGE

1. The propane tank must include a collar to protect the gas supply valve.
2. Do not store a spare propane tank under or near the griddle.
3. Never fill the propane tank beyond 80% capacity.
4. If the warnings in 2 and 3 above are not heeded exactly, a fire causing death or serious injury may occur.
5. Always transport in an upright position.
6. Do not smoke when transporting your propane tank.
7. Place a dust cap on the tank gas valve outlet whenever the tank is not in use. Use only the type of dust cap that is provided with the tank valve when purchased. Other types of cap or plugs may result in leakage of propane.



CYLINDER SPECIFICATIONS:

Tank purchased or exchanged for your gas griddle must be manufactured and marked in accordance with the specifications for LP Gas cylinders of the U.S. Department of Transportation (DOT) or the National Standard of Canada, CAN/CSA –B339, Cylinders, Spheres and Tubes for Transportation of Dangerous Goods and Commission, be equipped with a listed over-filling prevention device (OPD), and be equipped with a cylinder connection device compatible with connection for outdoor cooking appliances.

The cylinder must also be equipped with:

1. A shut-off valve terminating in a Type 1 gas cylinder valve outlet
2. A Type 1 valve that prevents gas flow until a positive seal is made
3. A collar to protect the cylinder shut-off valve
4. A safety relief device that is directly linked with the vapor space of the cylinder

WARNING

A frosty cylinder valve indicates possible gas overfill. Close the LP valve and call your dealer immediately.

LP GAS CYLINDER (NOT SUPPLIED WITH THIS GRIDDLE)

1. The LP (Liquid Propane) gas tank specifically designed to be used with this griddle must have a 20 lb. (9.1 kg) capacity incorporating a Type 1-cylinder valve and an over-filling protection device (OPD).
2. This griddle is designed to fit Worthington, Manchester, or SMPC brand 20 lb. (9.1 kg) cylinders. Other brands may fit this griddle if the top collar and bottom support ring have similar dimensions.
3. DO NOT connect this griddle to an existing #510 POL cylinder valve with left-hand threads.
The Type 1 valve can be identified by the large external threads on the valve outlet.
4. DO NOT connect to a propane cylinder exceeding this capacity.
5. DO NOT connect to a cylinder that uses any other type of valve connection device.

LP CYLINDER LEAK TEST

A leak test should be conducted each time a propane tank is refilled or exchanged. Do not smoke or use any type of flammable material in the area during this leak test. Do not use an open flame to check for leaks.

1. Test outside in a well-ventilated area.
2. Use a paintbrush and a solution of liquid dish detergent and water as needed. Do not use cleaning products because they can damage the fuel supply parts.
3. Brush the detergent solution onto the areas indicated by the arrows, in the diagram to the right.
4. If bubbles appear, it indicates a gas leak.



Regulator and LP Cylinder Connections

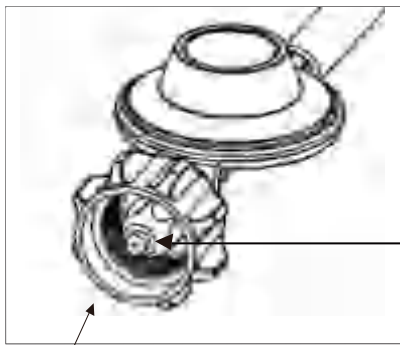
CAUTION

Only use the gas pressure regulator provided with this outdoor cooking appliance. This regulator is set for an outlet pressure of 11 inches water column.

Your regulator is equipped with a QQC Type 1 quick connect system. It does not allow gas to flow until a positive seal has been made. It has a thermal element that shuts off the gas flow if the temperature reaches 115 °C (240 °F). It also has a flow-limiting device that restricts the flow of gas to 0.28 cubic metrics per hour (10 cubic feet per hour). Before each use, check the gas hose for excessive abrasion, wear, or cuts. Replace a damaged hose assembly with the one specified in the parts list before using the griddle.

TO CONNECT THE CYLINDER TO THE REGULATOR AND HOSE

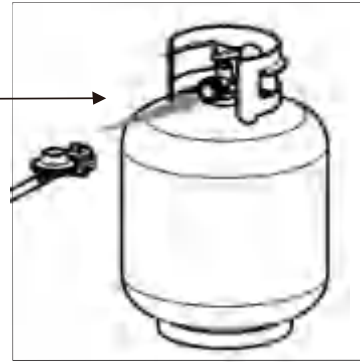
1. Make sure the LP tank is OFF by turning the hand wheel clockwise until it stops.
2. Place the tank on the hook under the griddle body with the valve facing outward. See Assembly instructions to secure the tank to the griddle body.
3. Be sure all burner controls are turned to the OFF position.
4. Remove the safety cap from the cylinder valve.
5. Center the regulator nipple into the cylinder valve.
6. Turn the black nut clockwise until it stops. Hand tighten Only. **Do not use a wrench.**



GCC 1 Type 1 Connector

The regulator must enter the cylinder valve in a straight line.

Center the regulator nipple into the cylinder valve.



⚠ WARNING

Always keep the gas cylinder in the upright position at all times.

WARNING

1. Do not connect this griddle to any unregulated sources of propane.
2. Before each use, check the gas hose for excessive abrasion, wear, or cuts. Replace a damaged hose assembly with the one specified in the parts list before using the griddle.
3. Always perform the Leak Test listed below before using your griddle for the first time, if the cylinder has been changed, if any gas supply components have been changed, if the regulator flow-limiting device has been activated, or after a long period of non-use.
4. Do not attempt to connect this griddle to the LP system of a motor home or trailer.

LEAK TESTING THE REGULATOR, VALVES, HOSES, AND CONNECTIONS

1. Ensure the LP cylinder valve and all burners are OFF.
2. Ensure the LP cylinder is connected to the regulator.
3. If the warnings 1 and 2 above are not strictly followed, there is risk of fire that may lead to serious injury or death.
4. Mix water and liquid dish washing detergent as required. Do not use any household cleaner solution.
5. Open the LP tank valve by turning the hand wheel counterclockwise one turn. If you hear a rushing sound, turn the gas off immediately. In that case, there could be a leak at the connection. Reconnect the cylinder to the regulator.
6. Spray or brush on the dish washing detergent solution covering the following areas: regulator and cylinder connection, gas hose connections to the regulator, all gas hoses, and all gas connections to the burner, including the side burner.
7. Bubbles that develop on any of the parts and connections listed above indicate a gas leak. Immediately shut off the LP tank valve by turning the valve clockwise. Retighten the connections or order replacement parts as needed. Continue to test as necessary until no leaks are detected.
8. Close the LP tank valve by turning the hand wheel clockwise.

WARNING

1. **DO NOT USE THE GRIDDLE** If there are leaks. Be sure the LP cylinder valve is closed. If the LP cylinder is still leaking, contact your LP dealer or call 911.
2. Do not use any matches, open flames, or smoke during leak testing.
3. Do not light any burners during leak testing.
4. Replacement parts including the hose assembly, must be as per the specifications in the parts list.

Failure to comply with these instructions may result in serious bodily injury.

Always visually inspect your griddle before lighting. Replace any hose that is frayed or cracked. Look for anything that could block ventilation and remove such a blockage or move the griddle.

After lighting, check the flame pattern to ensure you have even heat distribution for each burner. If burners don't light up, or if the flame pattern is uneven, see the Troubleshooting section.

WARNING

1. Read instructions before lighting.
2. If ignition does not occur in 5 seconds, turn the burner control(s) off, wait 5 minutes and repeat the lighting procedure.

LIGHTING THE MAIN BURNERS USING ELECTRONIC IGNITION

1. Ensure all burner control knobs are in the OFF position.
2. Turn on the propane gas by turning the hand wheel counterclockwise on the cylinder valve.
3. Push in the selected burner control knob and turn it anti-clockwise to the High position marked with a flame.
4. Press and hold the electronic ignition button. You should hear a clicking sound, which indicates the electronic ignition is working.
5. If the burner does not light within 5 seconds, turn the burner control knob to OFF position. Wait 5 minutes for the gas to clear, and repeat the above steps. Refer to the Troubleshooting section, if it still does not light.
6. When lit, turn the control knob to desired cooking temperature settings required for your food.

TURNING OFF YOUR GRIDDLE

1. Turn off the gas supply at the propane tank by turning the valve clockwise.
2. Turn all burner control knobs to the OFF position.

WARNING

Do not use spirit or petrol for lighting or re-lighting !

WARNING

1. Do not clean any part of your barbecue griddle in a self-cleaning oven.
2. Do not use oven cleaners, abrasive kitchen cleaners, cleaners that contain citrus products, or mineral spirits.
3. Clean your griddle regularly to prevent grease buildup, grease fires or excessive flare-ups.
4. Always allow the griddle to cool down prior to cleaning.

STAINLESS STEEL Clean with multipurpose, low-abrasion, non-phosphorous metal or stainless steel polish and a soft cloth. Always polish in the direction of the finish. Do not allow grease and dirt to accumulate. In addition, several products and naturally occurring substances can damage all stainless-steel finishes.

These include, but are not limited to, swimming pool chemicals (chlorine and bromine), lawn and garden fertilizers, ice-melting products, sea or other salt water, urine, bird droppings, and tree sap. Upon contact with these substances, immediately wash and dry the stainless-steel surface and be careful to avoid burns.

GRIDDLE Most foods can be cleaned up by scraping and wiping down the griddle with a paper towel or wet soft cloth. To remove tough food residue you can use a mild cream cleaner and pad. You can also use soapy water or a paper towel and 1/4 cup of table salt as another method to clean your griddle. Rinse well and dry it.

OTHER EXTERIOR SURFACES Wash with a mild dishwashing detergent and warm water. You can use a cloth, soft brush (non-metallic), or plastic cleaning pad. Rinse thoroughly and wipe dry.

GREASE TRAY/CUP Check after each use. Remove and empty the tray when half full.

Remove and clean the pan as grease builds up. Both can be washed with warm water and mild dishwashing detergent.

BURNERS We recommend you clean your burners at least twice a year, or before each use if the griddle has not been used in over one month.

WARNING

Small insects and spiders may enter the burner tubes. Sometimes they will build nests or spin webs that can block or reduce the amount of gas flowing through the burner. You will usually see a smaller flame, or a flame that is mostly yellow rather than blue, coming from the burner when this happens. Other signs include the griddle generating uneven or low heat, or difficulty in igniting the burners. In cases of severe blockage, this can cause the flame to burn backwards, and outside of the burner tubes, which can damage your griddle and/or cause personal injury. **IMMEDIATELY SHUT OFF THE FLOW OF PROPANE GAS AT THE TANK BY TURNING THE HAND WHEEL CLOCKWISE SHOULD THIS HAPPEN.** Wait for the griddle to cool, and then clean all burners.

CLEANING THE BURNERS

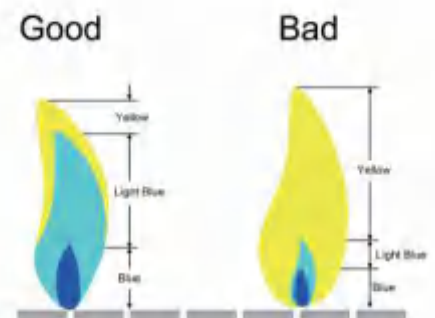
1. Ensure the gas is turned off at the propane tank.
2. Remove the cooking griddle.
3. Lift each burner up and out.
4. Clean the inside of the burner by using a stiff wire. An alternative is to use compressed air. Always wear protective gear for your eyes when using this method. Never enlarge the burner ports during cleaning.
5. Brush the outer surface of the burner.
6. Ensure all ports (holes) are free of debris.
7. Inspect the burners. Replace damaged parts that have cracks or enlarged ports.
8. Reinstall the burners making sure the burners seat over the valves.
9. Perform the Leak Test described earlier in this Owner's Manual.

WARNING

Proper placement of the burner and valve is vital to ensure safety.

BURNER FLAMES

Always check the burner flame patterns after lighting. A good flame should be primarily blue with a yellow tip and have a minimal amount of flicker. Some yellow tips are OK if they are smaller than 2.5 cm (1"). New burners sometimes have oil residue, which will cause yellow flame when burning off. Variations in gas supply, altitude, weather, and other factors can all impact burner performance. Older griddles can also show more yellow flame due to food deposit, oil, and fat buildup.



ALWAYS

1. Keep the grilling area clear and free from combustible materials, gasoline and other flammable vapors and liquids.
2. Do not obstruct the air flow for combustion and ventilation.
3. Keep the ventilation openings of the cylinder enclosure free and clear from debris.

GRIDDLE STORAGE

1. Clean your griddle before storage.
2. Storage of a gas griddle indoors is permissible only if the propane tank is disconnected and removed from the gas griddle.
3. Cover the griddle.
4. Perform a Leak Test before using the griddle after it has been kept in storage for some time.

Emergencies	Possible cause	Prevention/ Solution
Gas leaking from cracked/cut/ burned hose	Damaged hose	Turn off gas at LP tank, if hose is cut or cracked, replace hose. Conduct LP tank leak test and check regulator connection to the LP tank.
Gas leaking from LP tank	Mechanical failure due to aging or mishandling	Turn off LP tank valve.
Gas leaking from LP tank valve	Failure of tank valve due to mishandling or mechanical failure	Turn off LP tank valve. Return LP tank to gas supplier.
Gas leaking between LP tank and regulator connection	Improper installation, loose connection, failure of rubber seal	Turn off LP tank valve, remove regulator from cylinder and visually inspect the rubber seal for damage. Conduct LP tank leak test and check regulator connection to the LP tank.
Fire coming through control panel	Fire in burner tube section of the burner due to partial blockage	Turn off control knobs and LP tank valve. After the fire is out and griddle is cold, remove the burner and inspect for spider nests or rust. See natural hazards and cleaning the burner assembly pages.

Troubleshooting: Problem	Possible cause	Prevention/ Solution
Grease fire or continuous excessive flame above cooking surface	Too much grease buildup in burner area	Turn off LP tank. Leave lid open to allow the flames to die down. After cooling, clean food particles and excess grease from inside the firebox area, grease cup/pan/tray, and other surfaces.
Burner will not light when using the ignitor	Gas issues <ol style="list-style-type: none"> Trying to light wrong burner Burner not engaged with control valve Obstruction in burner No gas flow Vapor lock at coupling nut to LP tank Coupling nut and LP tank valve not fully connected 	<ol style="list-style-type: none"> See instructions on control panel and the use and care section. Make sure valve are positioned inside the burner tubes. Ensure burner tubes are not obstructed with spider webs or other material; see cleaning section in use and care. Make sure LP tank is not empty. If LP tank is not empty, check "sudden drop in gas flow." Turn off knobs and disconnect coupling nut from LP tank. Reconnect and retry. Turn the coupling nut approximately one-half to three-quarters.
Burner will not light using the ignitor	Electrical issues: <ol style="list-style-type: none"> Electrode cracked or broken; sparks at crack Electrode tip not in proper position Wire and/or electrode covered with cooking residue Wires are loose or disconnected. Wires are shorting (sparking) between ignitor and electrode. Push button sticks at bottom sparking between ignitor and electrode. 	<ol style="list-style-type: none"> Replace electrode. Tip of electrode should be pointing toward the port hole in the burner. The distance should be 1/8" to 3/16". Adjust if necessary. Clean wire and or electrode with rubbing alcohol and clean swab. Reconnect wires or replace electrode/wire assembly. Replace ignitor wire. Replace ignitor. Inspect wire insulation and proper connection. Replace wires if insulation is broken.

Troubleshooting: Problem	Possible cause	Prevention/ Solution
Burner will not light with matchstick	1. See “gas issues” on previous page. 2. Improper method of lighting using a matchstick	1. See “Pilot Gas Control Ignition” section in use and care.
Sudden drop in gas flow or low flame	1. Grease buildup 2. Excessive fat in meat 3. Excessive cooking temperature	1. Clean burners and inside of griddle/ firebox. 2. Trim fat from meat before grilling.
Flame blows out	High or gusting winds/Low Lp gas/Excess flow valve tripped	Turn front of griddle to face wind or increase flame height. Refill LP tank. Refer to “sudden drop in gas flow” above.
Persistent grease fire	Grease trapped by food buildup around the burner system	Turn knobs to OFF. Turn gas off at the LP tank. Leave lid in position and let the fire burn out. After the griddle cools, remove and clean all parts.
Flashback... (fire in burner tube(s))	Burner and burner tubes are blocked.	Turn knobs to OFF. Clean burner and/or burner tubes. See burner cleaning section in use and care.
Flare-up	1. Grease buildup 2. Excessive fat in meat 3. Excessive cooking temperature	1. Clean burners and inside of griddle/ firebox. 2. Trim fat from meat before grilling. 3. Adjust (lower) temperature.
Unable to fill LP tank	Some dealers have older fill nozzles with worn threads.	When turning worn nozzles, they don't have enough “bite” to engage the valve. Try a different LP dealer.
One burner does not light from other burner(s)	Grease buildup or food particles in end of carryover tube	Clean carry-over tube with wire brush.

If your problem is not resolved from the information above, please contact your local gas dealer.

Notes:

1. Turn the burner on for 15 to 20 minutes in medium to low heat. Spray down water on hot surface of the griddle and scrape spots away into the grease cup. **Make sure the appliance is cool enough to clean and wear protective gloves as griddle will be warm to touch.**
2. Grids should be cleaned periodically by soaking and washing in soapy water.
3. The interior surfaces of the griddle should also be cleaned by using a wire brush, steel wool, or a scouring pad to remove stubborn spots.
4. Periodically check the burner to see that it is free from insects and spiders that may clog the gas system, deflecting gas flow. Clean the venturi pipes on the burner very carefully and ensure that there are no obstructions. We recommend that you use a pipe cleaner to clean the venturi pipe area.
5. Any modification of this appliance may be dangerous and is not permitted.

Safety Reminders

Stand your gas griddle on a safe level surface, away from inflammable items such as wooden fences or overhanging tree branches. Never use your gas griddle indoors!

Once lit, do not move your gas griddle or leave it unattended.

Keep children and pets at a safe distance from the gas griddle.

Keep a fire extinguisher handy.

The gas griddle will become hot when in use, so cook with barbecue utensils or protective gear to avoid burns.

Ensure that the appliance has completely cooled down before storage.

Direct Heat

BEEF INTERNAL TEMPERATURE CHART			
Cooking Degree	Internal Core Temperature	Internal Description	Firmness
Rare	125 °F	Center is bright red, pinkish toward the outer portion, and warm throughout	Soft to the touch
Medium Rare	130-135 °F	Center is very pink, slightly brown toward the outer portion and slightly hot	Yields only slightly to the touch
Medium	140-145 °F	Center is light pink, outer portion is brown and hot throughout	Beginning to firm to the touch
Medium Well	150-155 °F	Mostly brownish gray throughout with a hint of pink in the center	Firm to the touch
Well Done	155 °F and above	Steak is brownish gray throughout	Firm or hard to the touch
POULTRY INTERNAL TEMPERATURE CHART			
Whole Chicken	165 °F	Cook until the juices run clear	Firm to the touch
Dark Meat	165 °F	Cook until white throughout but still moist	Firm to the touch
Breast Meat	165 °F	Cook until white throughout but still moist	Firm to the touch
Thigh, Wings and Legs	165 °F	Mostly brownish gray throughout with a hint of pink in the center	Firm to the touch
PORK INTERNAL TEMPERATURE CHART			
Medium	150 °F	Pink in the center	
Well Done	160 °F and above	Pork is uniformly white/brown throughout	
Pork Ribs	180-200 °F	Pale white. Cook medium to well done	
Raw Sausage	160 °F	No longer pink	
Sausage (Pre-cooked)	140 °F	No longer pink	

STEAK (& ALL MEATS):

- Cook food on the charcoal side of the unit, directly above coals/heat.
- To grill meats, raise fire grate to high position (hot) and sear for one minute on each side with the lid open to seal in flavor and juices. -Then lower the fire grate to the medium position with lid closed and cook to desired degree.
- Control heat with dual dampers and adjustable fire grate.

Tip:

Place grilled meat back in the marinade for several minutes before serving - it will be tastier and juicier.

CAUTION:

Boil extra marinade first to kill bacteria remaining from the raw meat.

MARINATED FLANK STEAK:

- Mix marinade ingredients in a nonmetal dish.
 - Let steak stand in marinade for no less than 4 hours in the refrigerator.
 - Brown each side for 5 minutes, but center should remain rare.
 - Cut steak diagonally across the grain into thin slices before serving.
 - Grill with fire grate in high(hot) position with lid open or closed.
-

Meat Marinade

- 1/2 cup vegetable or olive oil
 - 1/3 cup soy sauce
 - 1/4 cup red wine vinegar
 - 2 tbsp lemon juice
 - 1 tsp dry mustard
 - 1 minced clove garlic
 - 1 small minced onion
 - 1/4 tsp pepper
-

QUAIL OR DOVES:

- Cover the birds with good amount of seasoning and marinate overnight.
 - Pour remaining dressing and cover with Texas Pete Hot Sauce for 6 hours.
 - Wrap birds in thick bacon secured by a toothpick.
 - Place on grill. Keep turning until bacon is black.
 - Grill for 20 minutes. Sear with lid open and fire grate in high (hot) position for 1 minute on each side before lowering the grate and closing the lid.
 - To smoke the birds, place them in the center of the grates with fire in both ends of the fire box.
-

HOT DOGS :

- Grill with lid up and cooking grates in high (hot) position for approximately 6 minutes.
 - Turn every few minutes.
-

SWEET CORN IN HUSKS:

- Trim excess silk from end and soak in cold salted water 1 hour before grilling.
 - Grill 25 minutes – turning several times.
-

KABOBS:

- Alternate any combination of meat, onions, tomatoes, green peppers, mushrooms, zucchini, circular slice of corn-on-the-cob, or pineapple on skewers. Meat could consist of shrimp, scallops, lobster, chicken, sausage, pork, beef, etc.
 - Marinate the meat in refrigerator for several hours.
 - Grill each side approximately 7 minutes, turning occasionally while basting with marinade.
 - Leave a small amount of room between pieces in order to cook faster.
 - Grill with lid up and the cooking grates in the lowest position.
-

Kabob Marinade:

- 1 cup soy sauce
- 1/2 cup brown sugar
- 1/2 cup vinegar
- 1/2 cup pineapple juice
- 2 tsp salt
- 1/2 tsp garlic powder

- Mix all ingredients in a saucepan and bring to boil.
 - Allow marinade to cool before marinating your meat in it.
 - Marinate beef in the mixture a minimum of 4 hours.
-

HAMBURGERS:

See meat marinade on prior pages.

You may also marinate by allowing to stand in marinade for 1 or 2 hours at room temperature before cooking or let it stand in a covered dish in the refrigerator for up to 24 hours.

- Bring to room temperature before cooking.
 - Mix in chopped onions, green peppers, salt, sear 3/4 inch patties on each side, with cooking grates in high position for a few minutes.
 - Lower fire grate to medium position and grill with lid down to avoid flare-ups.
 - Cook each side 3 to 7 minutes according to desired degree.
 - Cook ground meat to 150 °F internal temperature or until juice runs clear (free of blood) to prevent E-coli infections.
 - Burgers can be basted with marinade when turning and/or other ingredients can be mixed in with the ground beef such as chili sauce or powder.
-

SHRIMP (Peeled) & CRAYFISH:

- Place on skewers.
 - Coat with melted butter and garlic salt.
 - Grill 4 minutes on each side or until pink. Cocktail sauce optional.
-

BAKED POTATOES:

- Rub with butter and wrap in foil and cook on grill with lid down for 50 minutes.
 - Turn after 25 minutes (no need to turn if smoked).
 - Squeeze to check if it is cooked.
-

Thanks for purchasing this Royal Gourmet® Portable Griddle. We are here to help you enjoy your new griddle. We provide a warranty for your product within the warranty conditions under normal use of one year from the date of purchase for all components, covering defects and manufacturing errors.

Royal Gourmet's obligations are limited to the following:

- This warranty does not cover griddles that have been altered or damaged due to normal wear, rust, abuse, improper maintenance, improper use, or modifications, to the product. Repair labor is not covered.
- This warranty does not cover surface scratches or heat damage to the finish which is considered as normal wear.
- All warranty claims apply only to the original purchaser and require a proof of purchase verifying date of purchase.
- All parts that meet the warranty requirements will be shipped at no-charge via the discretion of the customer service department.
- Do not return parts without prior to obtain return authorization from our customer service department.

Except as stated above, Royal Gourmet Corp. makes no other express warranty.

This warranty may give you specific legal rights that vary by state.

Please do not hesitate to contact our customer service when you have any questions regarding assembly, warranty, or accessories. We will be happy to offer any replacement parts you need during the time of warranty period.



1-800-618-6798



service@royalgourmetusa.com

Mon - Fri, 8:30 AM- 5:30 PM, EST