

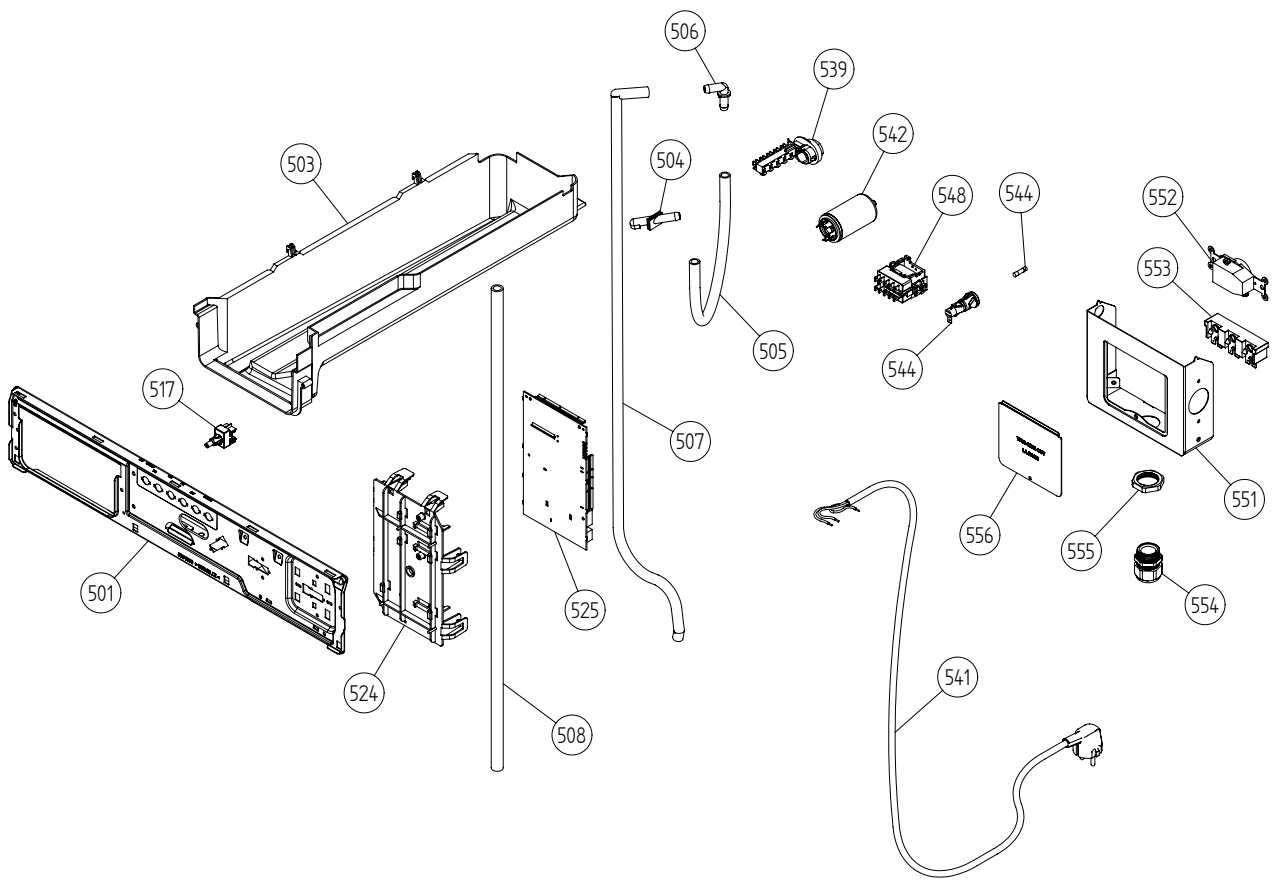
Spare Parts Catalogue

Dryers \ 700 Series
Type: TD44US
Model: T781 US Stainless

Prod. No: 10778111
December 22nd 2004

AM Appliances Group

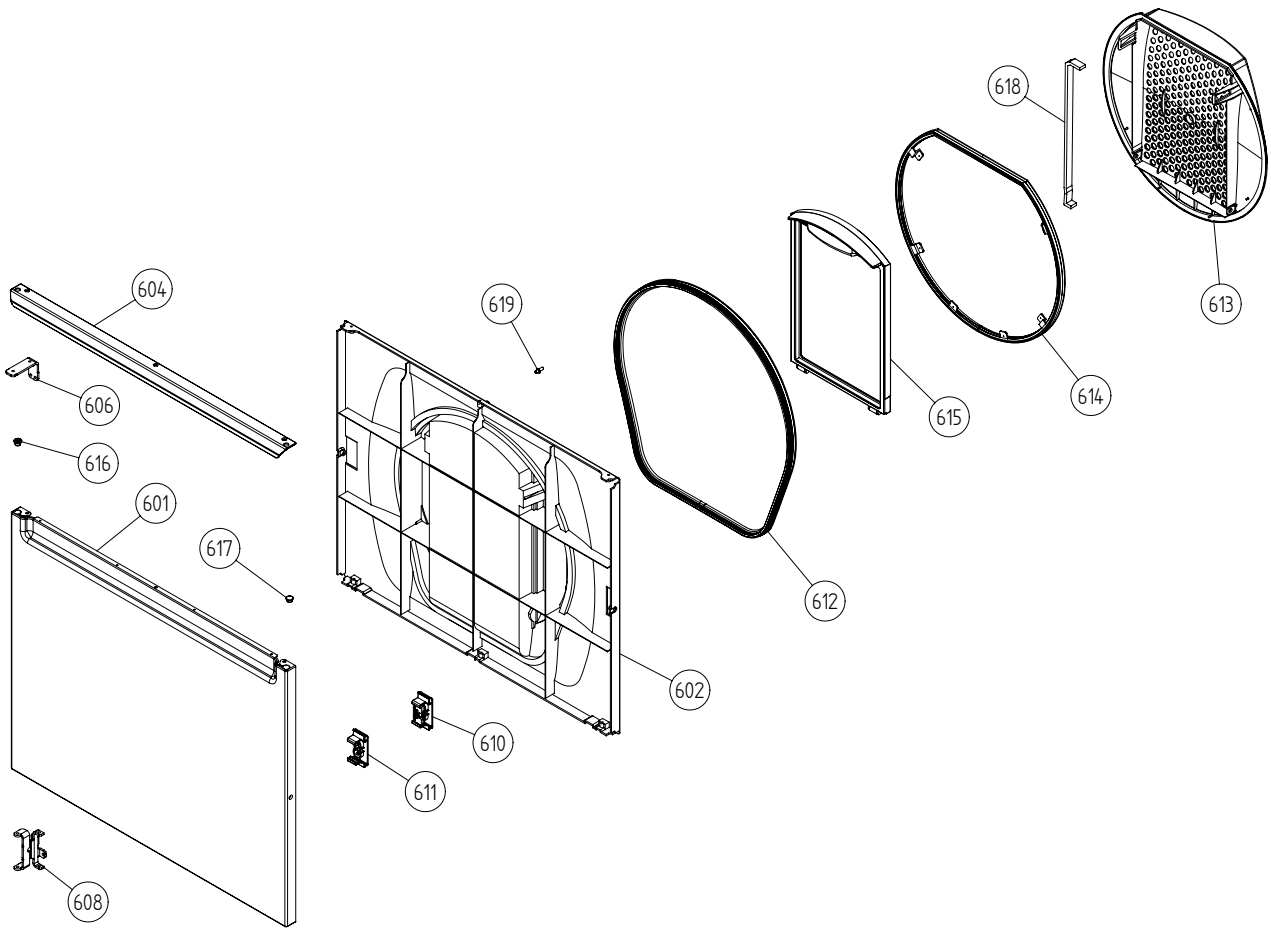
P.O. Box 851805 • Richardson • TX 75085-1805
789 N. Grove Road • Suite 103 • Richardson • TX 75081



Upper session

ASKO, T781 US - Stainless (TD44US)

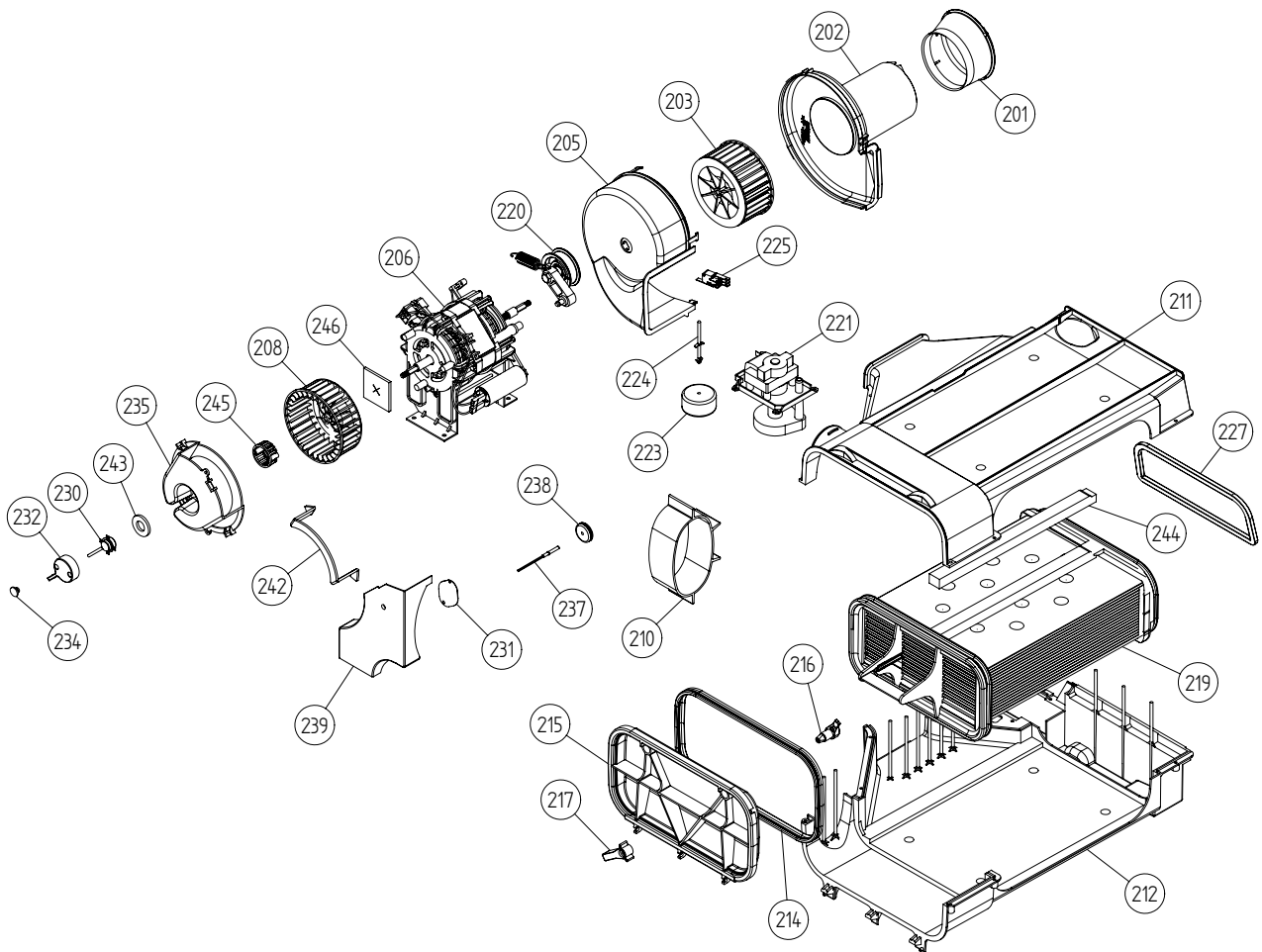
Pos	Spare part No.	Description	Qty	Comment
501	8061690	BEAM FRONT WMD20	1 Pcs	
501-a	8900338	SCREW RTK ST 42X95 FZB T20	2 Pcs	
501-b	8901413	LOCK WASHER AZ 43 GALV	2 Pcs	
501-c	8902087	SCREW PTK 40X14 WN1452 FZB T20	2 Pcs	
503	8061880	HOUSING WATERTANK DRYER TD20	1 Pcs	
503-a	8902087	SCREW PTK 40X14 WN1452 FZB T20	2 Pcs	
504	8053077	NOZZLE	1 Pcs	
505	8057431	RUBBER HOSE 9X13X360	1 Pcs	
506	8054072	NIPPLE WATER HOSE	1 Pcs	
507	8054732	RUBBER HOSE 9X13X900	1 Pcs	
508	8053881	RUBBER HOSE 10X15X730	1 Pcs	
517	8061875	PUSHBUTTONSW 2-POLE CLOS	1 Pcs	
524	8061921	HOLDER PROGCONTROLLER WMD20	1 Pcs	
525	8065042	CONTROL UNIT TD21 UL4	1 Pcs	
529	8087500	CABLE KIT TD/30/33A/40/44A	1 Pcs	
539	8061660	TERMINAL BLOCK 5-POLE	1 Pcs	
539-a	8901097	SCREW MRT-TT 4X12 FZB T20	1 Pcs	
542	8058558	RADIOINTERFSUPP FILTER	1 Pcs	
542-a	8901168	NUT Replby 8901155	1 Pcs	
542-b	8901419	LOCK WASHER AZ 84 GALV	1 Pcs	
544	8065573	FUSE HOLDER GREY 15A US/CA	2 Pcs	
544	8054613	FUSE HOLDER HTB38	2 Pcs	
544-a	8058140	FUSE 15AT 63X32	2 Pcs	
544-b	8055725	FUSE HOLDER INSERT STI	2 Pcs	
545	8055725	FUSE HOLDER INSERT STI	2 Pcs	
546	8058140	FUSE 15AT 63X32	2 Pcs	
548	8064179	CONTACTOR 4S 50/60HZ	1 Pcs	
551	8076324	CONNECTION BOX EXCL. FUSES USA	1 Pc's	
551	8061849	EL.BOX USA TD20	1 Pc's	
551	8063931	EL.BOX US/CA COMPL.	1 Pc's	
551-a	8901097	SCREW MRT-TT 4X12 FZB T20	1 Pcs	
551-a	8065734	EL. BOX USA TD21	1 Pc's	
552	8061033	RECEPTACLE 2-POL 3-WIRE 20/250	1 Pcs	
553	8061891	TERMINAL BLOCK DRYER US	1 Pcs	
554	8060462	GROMMET PG21	1 Pcs	
555	8060463	LOCK NUT PG21	1 Pcs	
556	8063756	LID ELBOX USA	1 Pcs	
556-a	8901097	SCREW MRT-TT 4X12 FZB T20	1 Pcs	



Outer door

ASKO, T781 US - Stainless (TD44US)

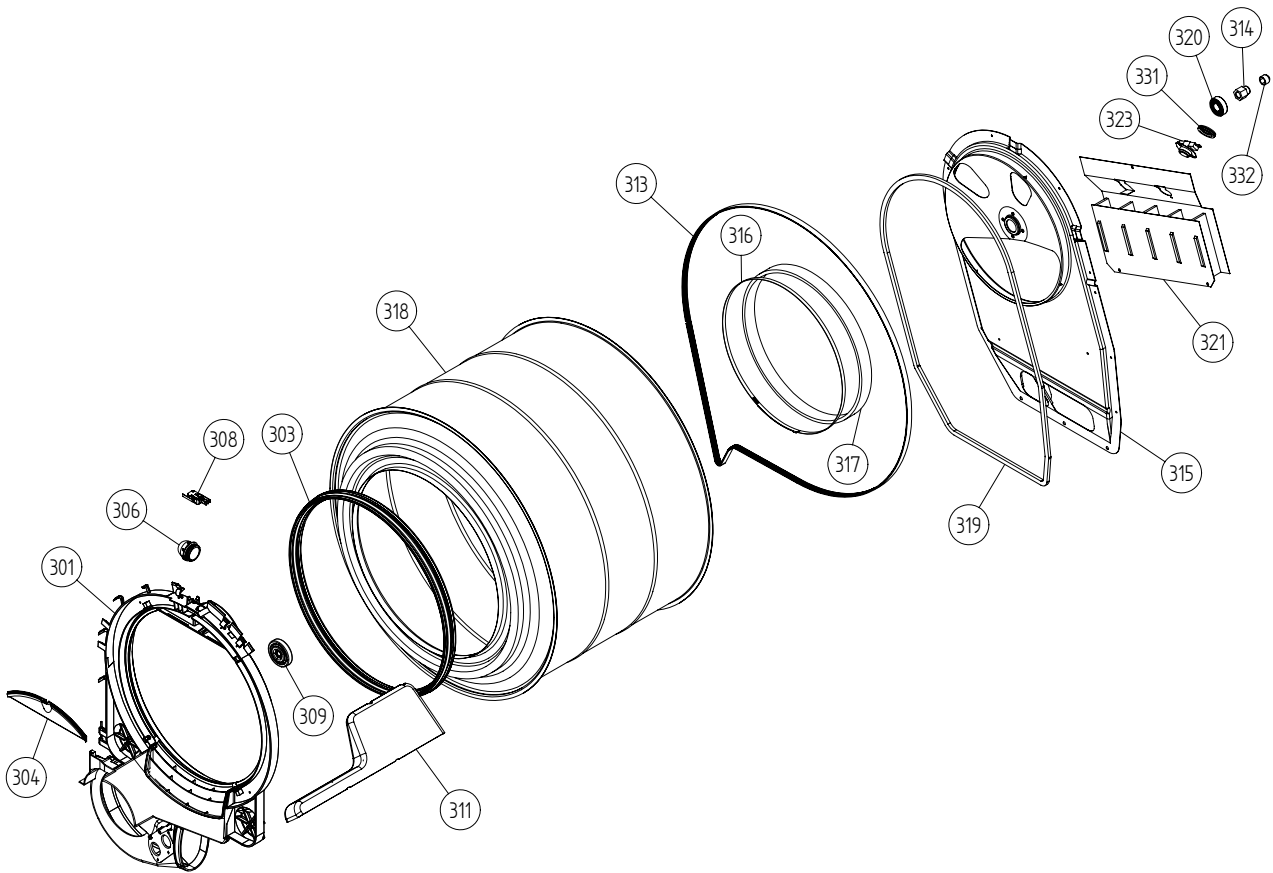
Pos	Spare part No.	Description	Qty	Comment
601	8061733-95	DOOR OUTER PART SS WMD20	1 Pcs	
602	8061810	DOOR INNER	1 Pcs	
602-a	8902068	SCREW PTK 40X14 WN1453 PF FZB	5 Pcs	
604	8061813-86	HANDLE DOOR BLACK	1 Pcs	
604	8061813-26	HANDLE Replby 8061813-86	1 Pcs	
604	8061813-81	HANDLE DOOR GREY METALLIC	1 Pcs	
606	8061803-86	HINGE UPPER COMPL BLACK	1 Pcs	
606	8061805-86	HINGE UPPER BLACK	1 Pcs	
606	8061805-26	HINGE UPPER BLACK	1 Pcs	
606	8061803-81	HINGE UPPER COMPL GREYMET	1 Pcs	
606	8061805	HINGE UPPER	1 Pc's	
606	8061803-26	HINGE UPPER COMPLETE BLACK	1 Pcs	
606	8061805-81	HINGE UPPER GREY METALLIC	1 Pcs	
606-a	8901097	SCREW MRT-TT 4X12 FZB T20	2 Pcs	
606-b	8901619	POP-RIVET AL/ST 4X10	1 Pcs	
608	8061807-26	HINGE LOWER COMPL BLACK	1 Pcs	
608	8061806-86	HINGE LOWER BLACK	1 Pcs	
608	8061807-86	HINGE LOWER COMPL BLACK	1 Pcs	
608	8061806-81	HINGE LOWER GREY METALLIC	1 Pcs	
608	8061807-81	HINGE LOWER COMPL GREYMET	1 Pcs	
608	8061806-26	HINGE LOWER BLACK	1 Pc's	
608-a	8900338	SCREW RTK ST 42X95 FZB T20	2 Pcs	
608-b	8901097	SCREW MRT-TT 4X12 FZB T20	1 Pcs	
610	8063893	MAGNET LOCK SS COMPL	1 Pcs	
611	8061886	HOLDER MAGNET LOCK TD20	0 Pcs	
612	8061815	DOOR SEAL OUTER	1 Pcs	
613	8065840	FILTER HOLDER COMPL	1 Pcs	
614	8065274	SEALING FILTER BRACKET	1 Pc's	
615	8061812	DOUBLE FLUFF FILTER	1 Pcs	
616	8061865-33	HINGE BEARING BLACK TD20	2 Pcs	
616	8061865-81	HINGE BEARING GREY	2 Pcs	
617	8061953-81	PLUG DOOR GREY	1 Pcs	
617	8061953-33	PLUG DOOR BLACK TD20	1 Pcs	
618	8801250	KIT SEALINGSTRIP FILTERHOLDER	1 Pc's	
619	8064240	PIN DOOR SWITCH DRYER	1 Pc's	



Lower session

ASKO, T781 US - Stainless (TD44US)

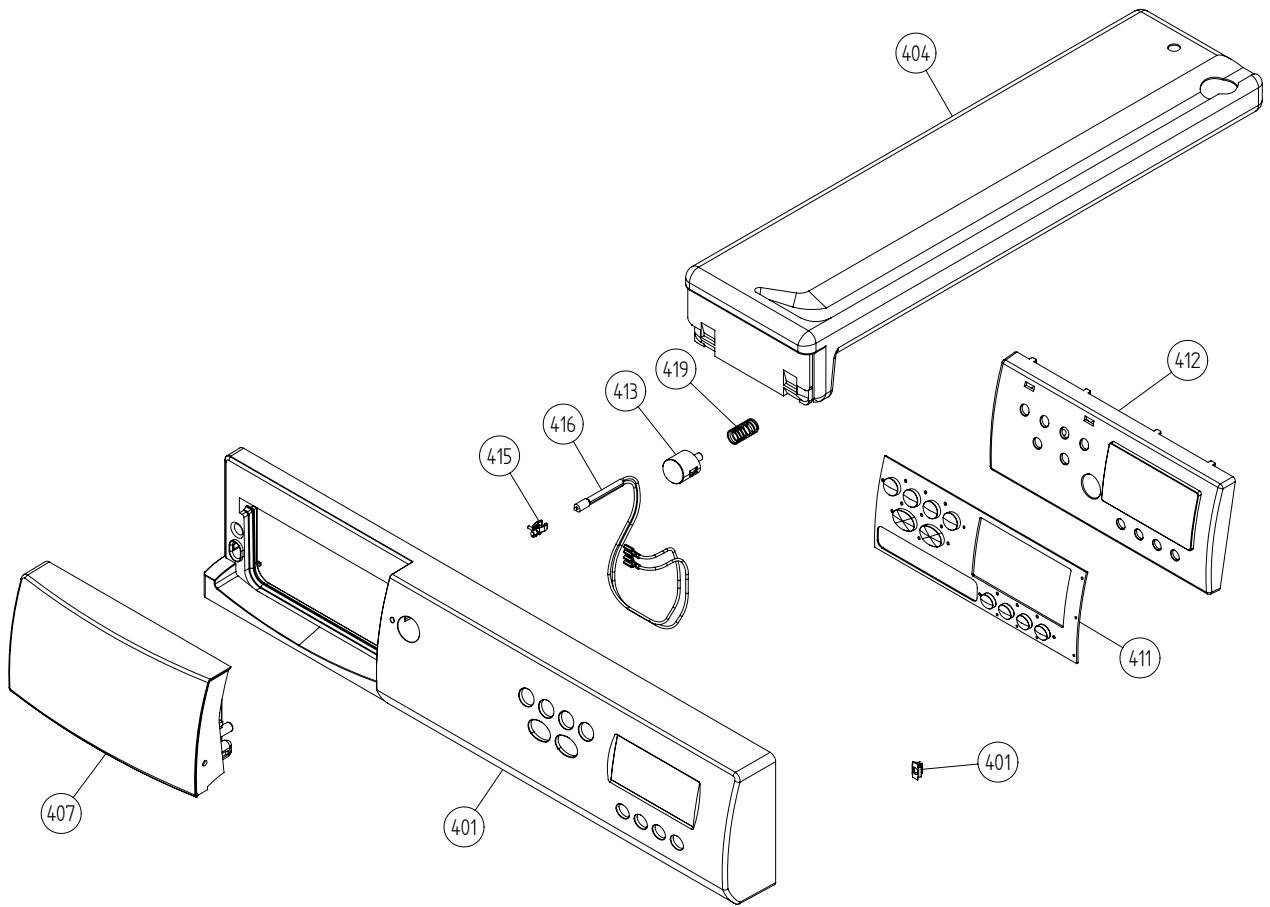
Pos	Spare part No.	Description	Qty	Comment
201	8061940	STUB AIRCANAL EXTERNAL AIR UL4	1 Pcs	
202	8052637	EXTAIRFANCASING INLETSIDE UL4	1 Pcs	
203	8061960	FAN IMPELLER DIA 108	1 Pcs	
205	8052636	EXTAIRFANCASING MOTORSIDE UL4	1 Pcs	
206	8061895	MOTOR COMPL 60HZ TD20	1 Pcs	
206-a	8901969	SCREW MRT-TT 5x12 FZB T20	4 Pcs	
206-b	8054268	CAPACITOR 8 UF 400V 85GR	1 Pcs	
208	8055200	FAN IMPELLER INT	1 Pcs	
208-a	8901192	NUT LOCKING 6 BH8 GALV	1 Pcs	
210	8058671	AIR HOSE	1 Pcs	
211	8052574	CONDENSER HOUSEUPPER PARTUL4	1 Pcs	
211-a	8902087	SCREW PTK 40X14 WN1452 FZB T20	7 Pcs	
212	8052575	CONDENSER HOUSELOWER PARTUL4	1 Pcs	
212-a	8902087	SCREW PTK 40X14 WN1452 FZB T20	3 Pcs	
214	8052644	CONDENSER SEALDOOR	1 Pcs	
215	8053112	DOOR CONDENSER CASING COMPL	1 Pcs	
216	8052606	LOCK HOOK	2 Pcs	
217	8052605	LOCK KNOB	2 Pcs	
217-a	8902099	SCREW PTK 50X14 WN1452 FZB T20	2 Pcs	
219	8063752	CONDENSER SET COMPLETE	1 Pcs	
220	8801058	TENSION ARM Replby 8801214	1 Pcs	
221	8801194	CONDWATERPUMP HANNING (R-DEL)	1 Pcs	
221-a	8902087	SCREW PTK 40X14 WN1452 FZB T20	3 Pcs	
223	8053056	FLOAT	1 Pcs	
224	8053098	FLOATPIN	1 Pcs	
225	8052643	MICROSWITCH V5H011BB4C	1 Pcs	
227	8059711	SPONGE RUBBER STRIP 6X9X550	1 Pcs	
230	8061855	HUMIDITY SENSOR TD20 UL4	1 Pcs	
230-a	8902042	SCREW PTK 35X10 WN1452 FZB T10	2 Pcs	
231	8050091	COVER PLATE FOR THERMOSTAT	1 Pcs	
231-a	8900369	SCREW RTS 48X13 FZB T25	1 Pcs	
232	8061944	FRONT GUARD HUMIDITY SENSOR	1 Pcs	
234	8061959	PLUG HUMIDITY SENSOR/REAR PAN	2 Pcs	
235	8061899	FAN CASING LID TD20 UL4	1 Pcs	
235	8076330-0	FAN CASING LID UL4	1 Pcs	
235-a	8902042	SCREW PTK 35X10 WN1452 FZB T10	2 Pcs	
237	8061900	THERMISTOR UL4 TD20	1 Pcs	
238	8053050	GROMMET	1 Pcs	
239	8061942	GUARD FAN CASING TD20	1 Pcs	
239-a	8902042	SCREW PTK 35X10 WN1452 FZB T10	1 Pcs	
242	8064184	SEALING COVER FAN HOUSE	1 Pcs	
243	8063897	SEALING HUMIDITY SENSOR	1 Pcs	
244	8063905	SEALING STRIP CONDENSER SET	2 Pcs	
245	8061943	GUARD HUMIDITY SENSOR TD20	1 Pcs	
246	8058323	SHAFT SEAL DRYER	1 Pcs	



Cylinder and related parts

ASKO, T781 US - Stainless (TD44US)

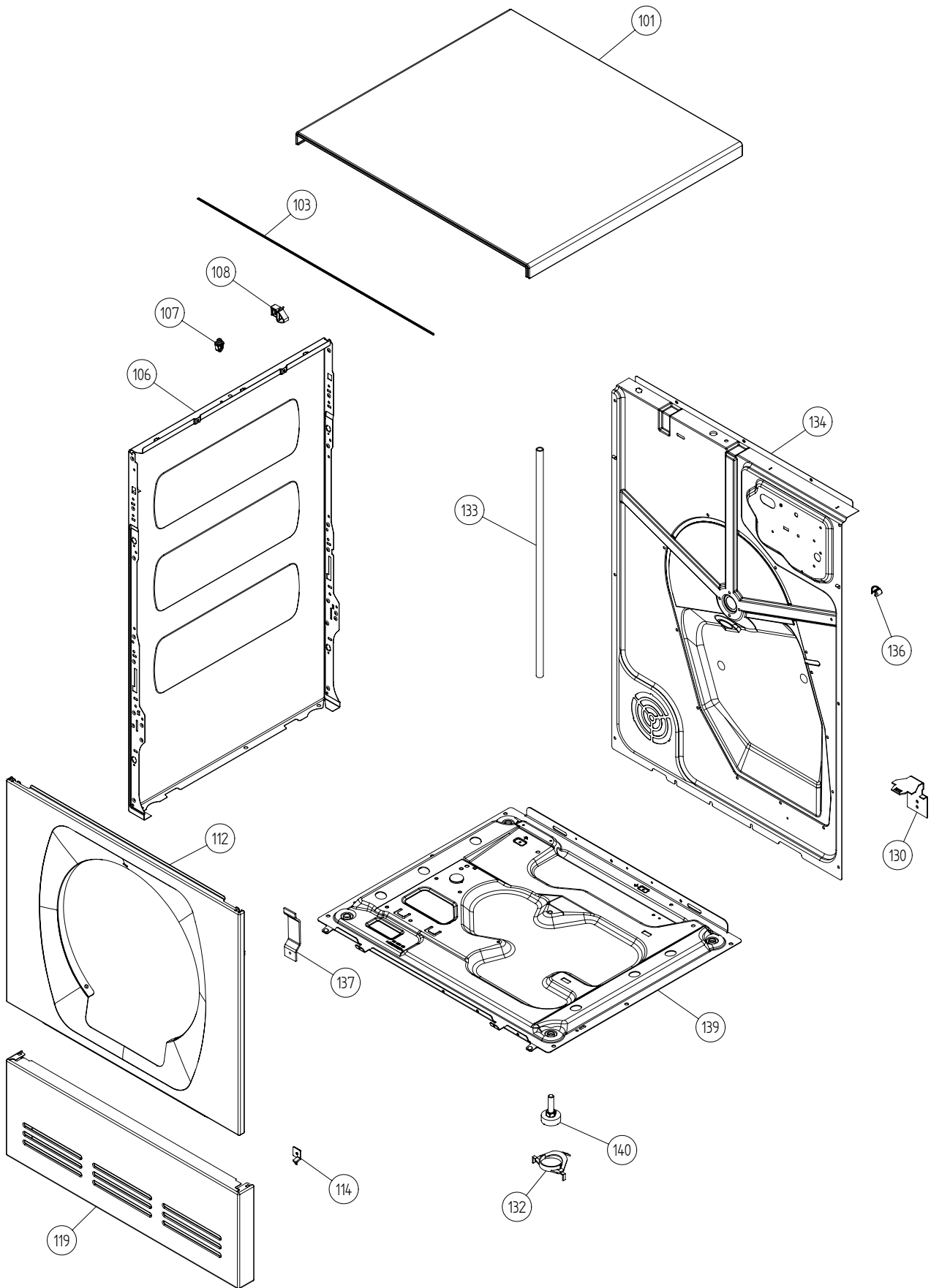
Pos	Spare part No.	Description	Qty	Comment
301	8801216	FRONT FRAME COMPL TD20/21	1 Pcs	
301-a	8902066	SCREW A2-PTK 35X14 WN1453 PF	4 Pcs	
303	8061821	FELT SEAL FRONT	1 Pcs	
304	8061932-49	LAMP HOUSING LID GREY UL4	1 Pcs	
306	8061887	LAMP CHIMNEY ULTEM TD20 UL4	1 Pcs	
308	8053107	MICROSWITCH DOOR	1 Pcs	
309	8052622	SUPPORT ROLLER COMPLETE	1 Pcs	
311	8052589	PADDLETT	2 Pcs	
311-a	8902099	SCREW PTK 50X14 WN1452 FZB T20	5 Pcs	
313	8065710	DRIVEBELT 7PH 1970 AS5B AIRBAG	1 Pcs	
314	8052632	BEARING BUSH	1 Pcs	
315	8061851	REAR PANEL INNER TD20	1 Pcs	
315-a	8900369	SCREW RTS 48X13 FZB T25	13 Pcs	
316	8055054	FELTSTRIP CLAMP REAR	1 Pcs	
317	8052649	FELT STRIP REAR SEWN	1 Pcs	
317	8064440	FELTSEALING REAR	1 Pcs	
318	8061800	CYLINDER COMPL TD20	1 Pcs	
319	8059712	SPONGE RUBBER STRIP 6X9X1650	1 Pcs	
320	8004439	BALL BEARING SKF 6202-2Z/C3Q66	1 Pcs	
321	8061828	HEATING ELEMENT 2850W TD20	1 Pcs	
321	8063808	HEATING ELEMENT 2500W UL4	1 Pcs	
321-a	8900369	SCREW RTS 48X13 FZB T25	2 Pcs	
323	8064905	THERMOSTAT 150C	1 Pcs	
323	8008487	THERMOSTAT 26237430 150C	1 Pcs	
323-a	8900369	SCREW RTS 48X13 FZB T25	1 Pcs	
331	8052650	DIAPHRAGM OVERHEATPROTECTOR	1 Pcs	
332	8064151	CAP OF BOLT	1 Pcs	



Control panel

ASKO, T781 US - Stainless (TD44US)

Pos	Spare part No.	Description	Qty	Comment
401	8064398-69-UL	PANEL W.HANDLE T781 ASKO UL1	1 Pcs	
401	8076068-81-UL	PANEL W.HANDLE T781 ASKO UL4	1 Pcs	
401-a	8901591	BINDING CLIP SCO 5740	4 Pcs	
404	8061941	WATERTANK TD20 UL4	1 Pcs	
407	8061846-69-UL	HANDLE PANEL MECH WMD20	0 Pcs	
407	8061846-81-UL	HANDLE PANEL MECH WMD20	0 Pcs	
411	8064276-33	PUSHBUTTONS W PRINT TD33/44	1 Pcs	
411	8064276-81	PUSHBUTTONS W PRINT TD33/44	1 Pcs	
412	8076271	DISPLAY UNIT WMD21 UL4 *ESD*	1 Pcs	
412	8065328	DISPLAY UNIT WMD21 UL4 *ESD*	1 Pcs	
413	8061902-81	PUSH BUTTON MAINSWITCH WMD20	1 Pcs	
413	8061902-69	PUSHBUTTON MAINSWITCH WMD20	1 Pcs	
415	8061822	DECOR LENS	1 Pcs	
416	8060478	INDLAMP (UL-RECONICED) UL4	1 Pcs	
419	8061857	SPRING MAIN SWITCH WMD20	1 Pcs	
490	8064638	INSTR. GENERAL TD21 US/CA	1 Pcs	
490	8065662	INSTRUCT TD21 ENGLISH US/CA	1 Pcs	
490	8065663	INSTRUCTIONS TD21 FRENCH US/CA	1 Pcs	
490	8065664	INSTRUCT TD21 SPANISH US/CA	1 Pcs	



Outer casing

ASKO, T781 US - Stainless (TD44US)

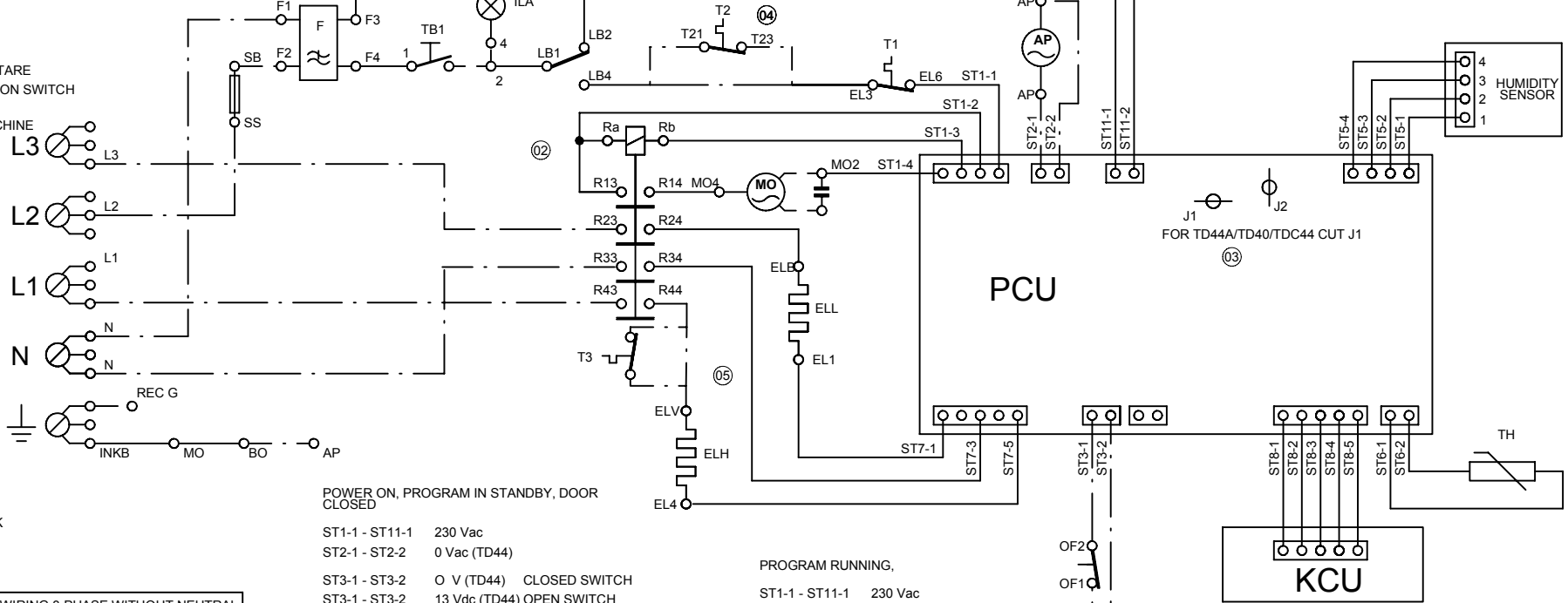
Pos	Spare part No.	Description	Qty	Comment
101	8061817-95	TOP COVER STAINLESS	1 Pcs	
101-a	8900338	SCREW RTK ST 42X95 FZB T20	3 Pcs	
101-b	8901413	LOCK WASHER AZ 43 GALV	2 Pcs	
103	8064062	STRIP TOP COVER WMD20 UL4	1 Pcs	
106	8801174-95	SIDE PLATE COMPL WM20	2 Pcs	
107	8061763	GUIDE FRONT PLATE/TOP COVER	2 Pcs	
108	8061916	CABLE HOLDER WMD20 UL4	2 Pcs	
112	8061847-95	FRONT PLATE TD20 STAINLESS	1 Pcs	
112-a	8900338	SCREW RTK ST 42X95 FZB T20	2 Pcs	
112-b	8901413	LOCK WASHER AZ 43 GALV	2 Pcs	
114	8064177	HOOK LOWER PANEL UL4	2 Pcs	
114-a	8900338	SCREW RTK ST 42X95 FZB T20	2 Pcs	
119	8801247-95	LOWER COVER COMPLWCLIPS TD20	1 Pcs	
130	8053980	TIP GUARD SURFACE CONDITIONED	2 Pcs	
132	8064114	CUP SELF ADHESIVEIN BAG(2pcs)	1 Pcs	
133	8054733	RUBBER HOSE 9X13X2000	1 Pcs	
134	8061829	REAR PANEL OUTER TD20	1 Pcs	
134-a	8900338	SCREW RTK ST 42X95 FZB T20	10 Pcs	
136	8061915	CABLE HOLDER TD20	1 Pcs	
137	8063852	HOLDING PLATE MAGNET LOCK	1 Pcs	
137-a	8901619	POP-RIVET AL/ST 4X10	2 Pcs	
139	8061618	BOTTOM WMD20	1 Pcs	
140	8059334	RUBBER FOOT D35xM10 INC NUT	4 Pcs	

S:\UW\wmd20v1_TryckunderlagiKopplingschema8061866 TD33_44, TDC33_44, TDC33_4418061866-05.dft .mast , 2002-05-15 11:00:46

- ELL: VÄRMEELEMENT, LAG EFFEKT
HEATER, LOW POWER
- ELH: VÄRMEELEMENT, HÖG EFFEKT
HEATER, HIGH POWER
- T1: THERMOSTAT
- T2: THERMOSTAT
- T3: THERMOSTAT
- OF: ÖVERSVÄMMNINGSBRYTARE
OVERFLOW PROTECTION SWITCH
- REC: OUTLET WASHING-MACHINE
- BO: BOTTOM
BOTTEN
- ILA: INDIKERINGSLAMPA
INDCATION LAMP
- R: RELÄ
- S: SÄKRING
FUSE
- F: FILTER
- AP: DRAIN PUMP
AVLOPPSPUMP
- MO: MOTOR
- TH: THERMISTOR
- BE: BELYSNING
ILLUMINATION
- LB: DOOR SWITCH
LUCKBRYTARE
- INKB: MAIN TERMINAL BLOCK
INKOPPLINGSPLINT

- TB: TRYCKBRYTARE
PUSH BUTTON SWITCH
- PCU: PROGRAM CONTROL UNIT
PROGRAM KONTROLLENHET
- KCU: KNAPPSATS MED DISPLAY
USERS INTERFACE

- INTERNAL CONNECTION
INTERN KOPPLING
- - - ALTERNATIVE WIRING
ALTERNATIV KOPPLING



POWER ON, PROGRAM IN STANDBY, DOOR CLOSED

ST1-1 - ST11-1 230 Vac
ST2-1 - ST2-2 0 Vac (TD44)

ST3-1 - ST3-2 0 V (TD44) CLOSED SWITCH
ST3-1 - ST3-2 13 Vdc (TD44) OPEN SWITCH

ST5-1 - ST5-4 15 Vdc
ST5-2 - ST5-3 1-15 mVdc DEPENDING ON THE HUMIDITY

ST6-1 - ST6-2 5 Vdc THERMISTOR DISCONNECTED

ST7-1 - ST7-3 0 V
ST7-5 - ST7-3 0 v

ST8-1 - ST8-2 13 Vdc
ST8-3 DATA IN
ST8-4 CLOCK
ST8-5 DATA OUT

PROGRAM RUNNING,

ST1-1 - ST11-1 230 Vac
ST1-1 - ST1-3 230 Vac
ST1-1 - ST1-4 230 Vac

ST2-1 - ST2-2 230 Vac (TD44) 30 SECONDS EACH 4 MINUTES

ST3-1 - ST3-2 0 V (TD44) CLOSED SWITCH
ST3-1 - ST3-2 13 Vdc (TD44) OPEN SWITCH

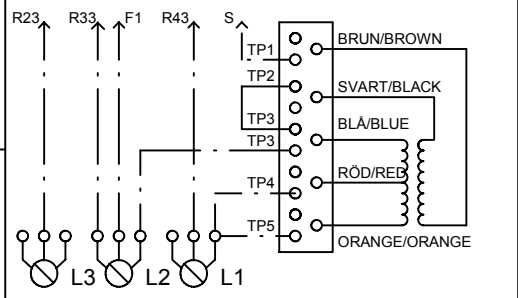
ST5-1 - ST5-4 15 Vdc
ST5-2 - ST5-3 1-15 mVdc DEPENDING ON THE HUMIDITY

ST6-1 - ST6-2 5 VdcV THERMISTOR DISCONNECTED

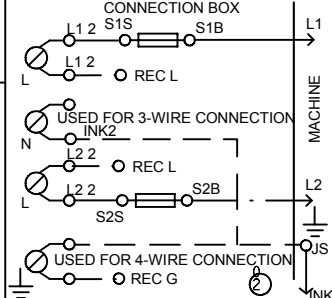
ST7-1 - R24 230 Vac HEATER ON
ST7-5 - R44 230 Vac HEATER ON

ST8-1 - ST8-2 13 Vdc
ST8-3 DATA IN
ST8-4 CLOCK
ST8-5 DATA OUT

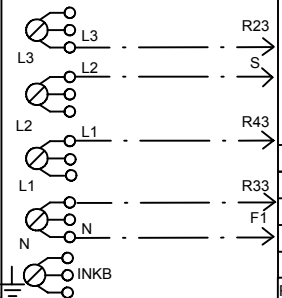
KOPPLING 3-FAS UTAN NOLLA / WIRING 3-PHASE WITHOUT NEUTRAL



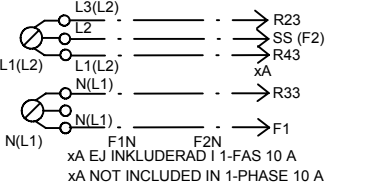
FUSE CONNECTION FOR USA & CANADA



KOPPLING 3-FAS / WIRING 3-PHASE

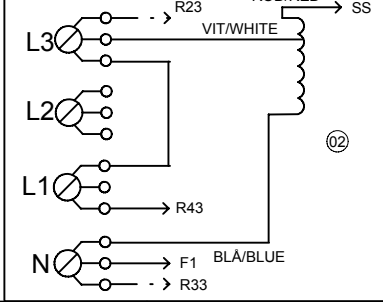


KOPPLING 1-FAS / WIRING 1-PHASE
NUMMER INOM () GÄLLER FÖR USA & CANADA
NUMMERN I () VALID FOR USA & CANADA



05	Additional thermostat added	PS	03	03
04	Additional thermostat added	SS	01	27
03	TD44A/TD40 was TD44, TD33/44	MS	01	22
02	Wiring Japan added, JS added, MO4 changed	PS	99	26
01	ST2-1 - ST2-2 was 230	HT	99	02
Rev ind	Revision	Appd	Year	Week

WIRING JAPAN



Pos.	Qty	Part No.	Name of item	Material
Material		Dens.Kg/dm3		Dimensions, Type, etc.
Scale		Gen.tolerance		Description(ENG)
Designed by		Gen.tol.Angle		CIRCUIT DIAGRAM TD33A/44A, TDC33/44, TD30/40
Released by		Iss by Dept Year Week		Description(SE)
		UT 98 05		KOPPLINGSSCHEMA TD33A/44A, TDC33/44, TD30/40
ASKO CYLINDA			80 618 66 05	Rev Ind Replace
				Project 8061866 rev:04

This document must not be copied without our written permission, and the contents thereof must not be imparted to a third party without the prior written permission of Askö Cylinda AB.