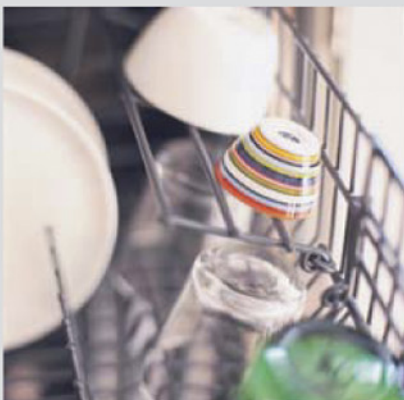




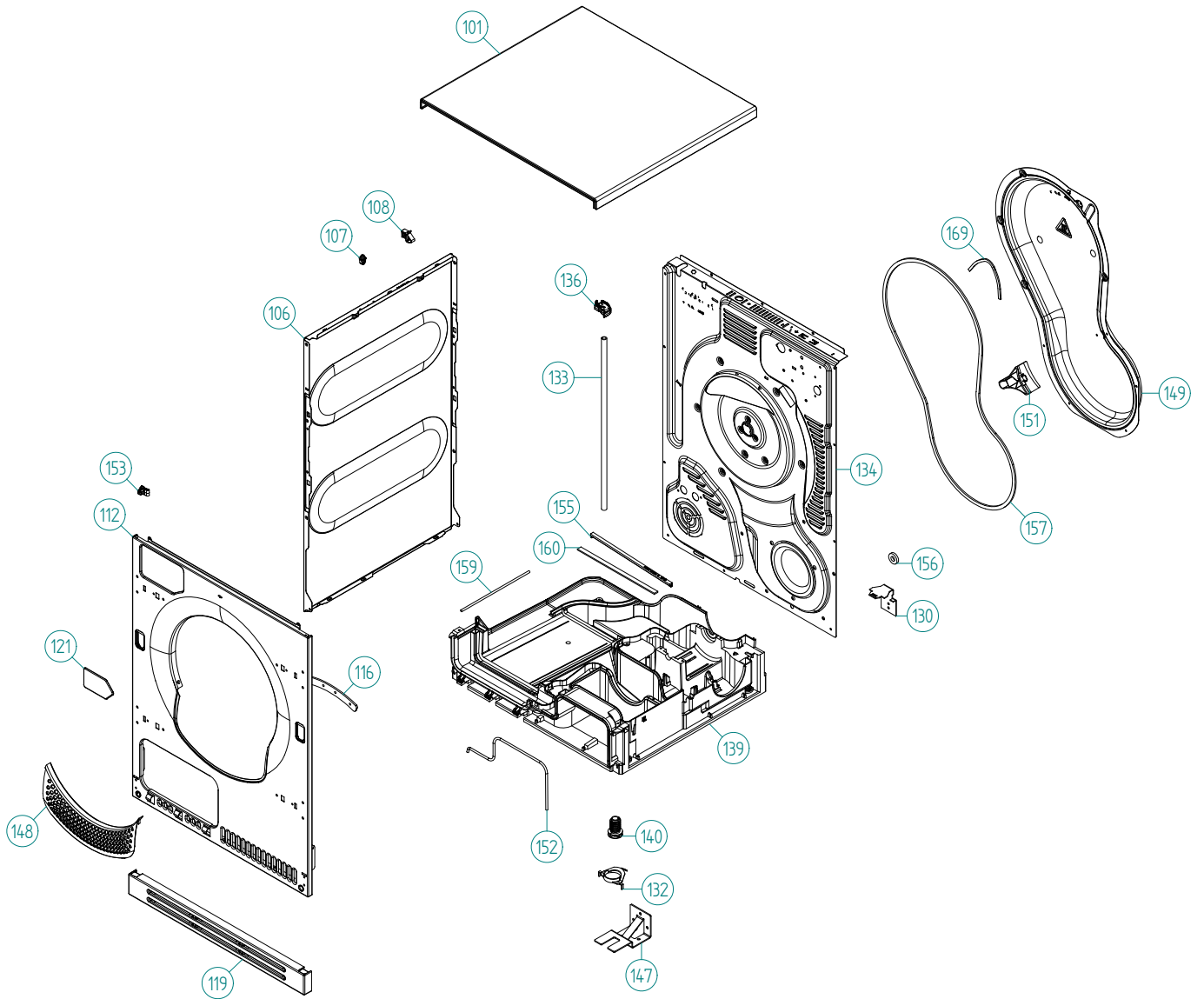
ASKO Tumble Dryers \ ASKO 700 Series Condensing
Type: TD70.3
Model: T794C FI US Titan

Prod. No: 10779446
February 2nd 2013



ASKO Appliances Inc.

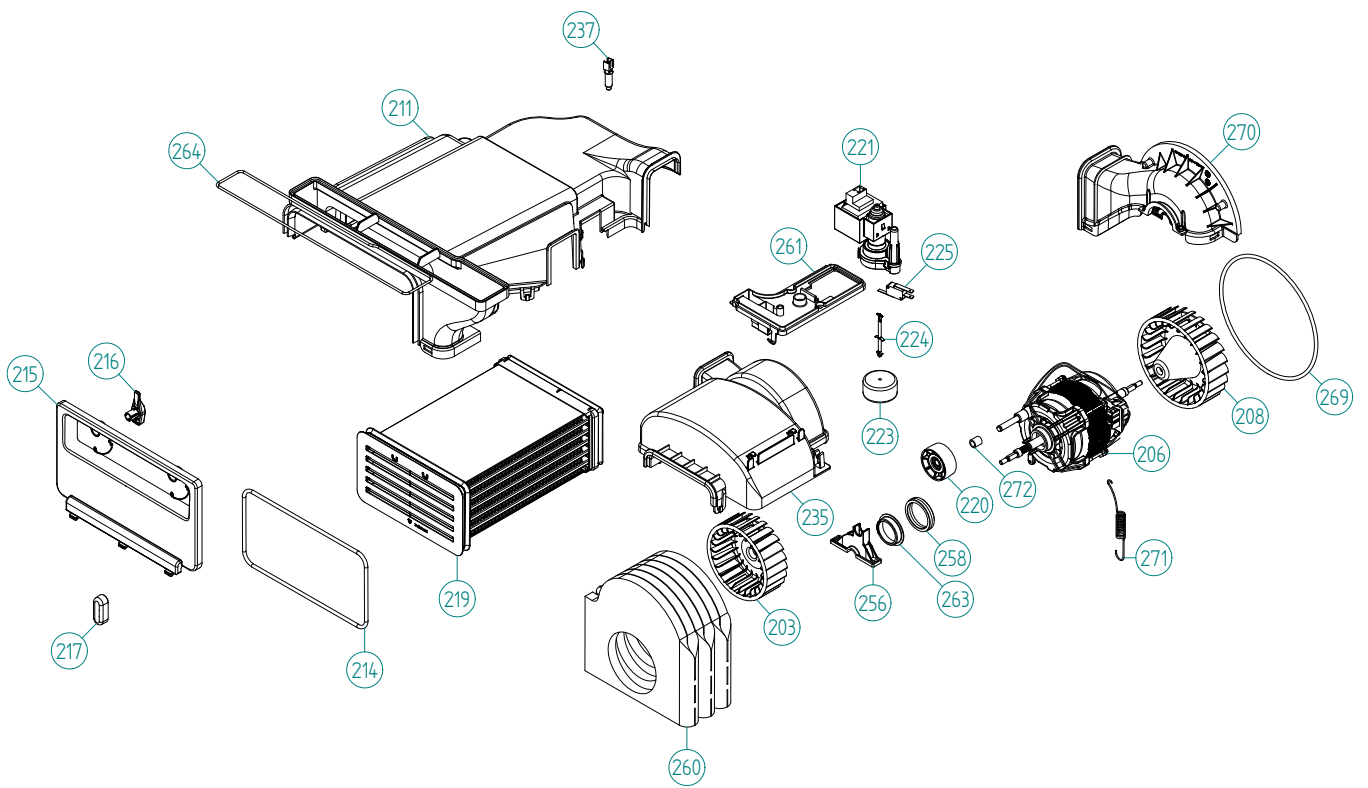
4001 E Plano Parkway #1004001 E Plano Parkway #100
Plano, Texas 75074



Outer Casing

ASKO, T794C FI US - Titan (TD70.3)

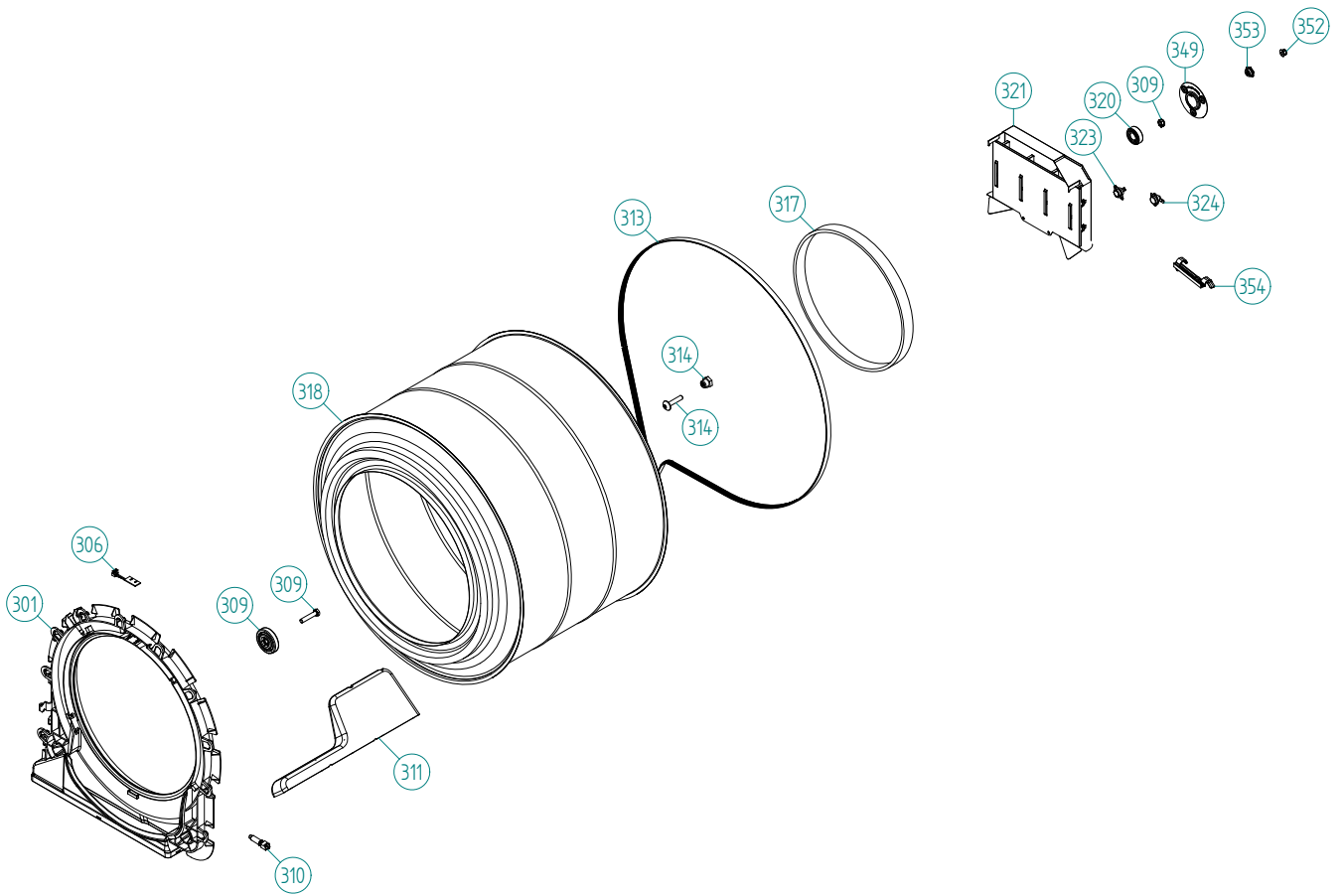
Pos	Spare part No.	Description	Qty	Comment
101	8061817-81	Top WM50 titanium	1 Pc's	
101-a	8902362	Screw 20 Torx Self Tapping	3 Pc's	
101-b	8901413	Lock Washer laundry tops	2 Pc's	
106	8082134-81	SIDE PANEL GREY METALLIC	2 Pc's	
106-a	8902087	Screw Plastic Housing 20 Torx	2 Pc's	
107	8061763	Clip Front Plate 600700s	3 Pc's	
108	8061916	CABLE HOLDER WMD20	2 Pc's	
112	8082109-HP-81	FRONT PANEL TD70 GREY METALLIC	1 Pc's	
116	8080104	REINFORCEMENT JOINT INTEGRATED	1 Pc's	
119	8077511-81	Condenser Cover	1 Pc's	
121	8077498-81	COVER FOR FRONT INTEGRATED	2 Pc's	
130	8053980	Stacking Bracket All TDs	1 Pc's	
130-a	8900327	Screw 20 Torx Self Tapping	1 Pc's	
132	8064114	Pair, Holders, TD Feet/Stacking	1 Pc's	
133	8054733	Rubber Hose Accy Drain Cond	1 Pc's	
134	8082112-C	REAR PANEL	1 Pc's	
134-a	8901971	SCREW C1-PTK 35X14 WN1453 T15	2 Pc's	
134-b	8902362	SCREW RTK ST 4,2X9,5 FZB WAX.	6 Pc's	
134-c	8902087	Screw Plastic Housing 20 Torx	3 Pc's	
136	8079928	HOSE FRAME	1 Pc's	
136	8082459	HOSE CLIP	1 Pc's	
139	8082103	BASE UL4	1 Pc's	
140	8082296	PLASTIC FOOT	4 Pc's	
147	8081935	TIP GUARD WMD60	2 Pc's	
148	8801540-49	Decor Cover Front Frame Kit TD70	1 Pc's	
149	8082113-B	PANEL REAR COVER	1 Pc's	
149-a	8902362	SCREW RTK ST 4,2X9,5 FZB WAX.	10 Pc's	
151	8082114	INSERT REAR COVER	1 Pc's	
152	8090337	SEALING FRONTPANEL-EXT.INLET	1 Pc's	
153	8083205	SNAP-IN BRACKET FRONT PANEL	4 Pc's	
155	8082457	COVER DRAINING DITCH	1 Pc's	
156	8094236	SEALING DRAINING PIPE	1 Pc's	
157	8094235	SEAL. STRIP W. ADHE. 9X4 SILI.	1 Pc's	
159	8082311	SEALING INT.-EXT.AIR CONDENSE	1 Pc's	
160	8092325	SEALING COVER DRAINING DITCH	1 Pc's	
169	8094312	ADHESIVE SEAL. STRIP 2X6 SILI.	1 Pc's	



Lower session

ASKO, T794C FI US - Titan (TD70.3)

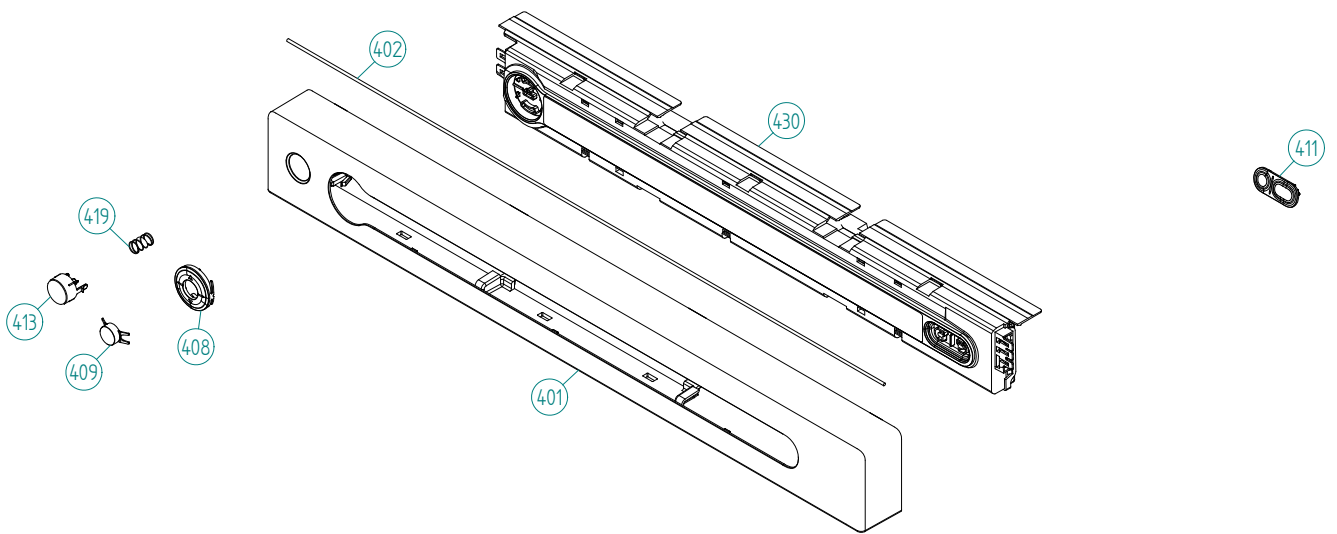
Pos	Spare part No.	Description	Qty	Comment
203	8082127	FAN WHEEL EXTERNAL COND. UL4	1 Pc's	
206	8083916	MOTOR 60HZ	1 Pc's	
206-a	8090314	CAPACITOR 60HZ	1 Pc's	
208	8082125	FAN WHEEL INTERNAL COND. UL4	1 Pc's	
211	8082105	COVER CONDENSER UL4	1 Pc's	
211-a	8902087	Screw Plastic Housing 20 Torx	7 Pc's	
214	8082108	SEALING CONDENSER LID	1 Pc's	
215	8082107-81	CONDENSER LID TITANIUM	1 Pc's	
216	8082121	LOCK CATCH CONDENSER LID	2 Pc's	
217	8077507-49	KNOB CONDENSER LID	2 Pc's	
217-a	8902085	Screw 20T for Plastic	2 Pc's	
219	8083902	CONDENSER COMPL.	1 Pc's	
220	8091899	TENSION WHEEL EMBEDDED BEARING	1 Pc's	
221	8084648	CONDENSATE PUMP 60HZ	1 Pc's	
223	8053056	Float Condenser Dryers	1 Pc's	
224	8091858	FLOAT PIN TD70	1 Pc's	
225	8076103	MICROSWITCH FLOAT TD25	1 Pc's	
235	8082116	COVER EXTERNAL INLET UL4	1 Pc's	
237	8083344	THERMISTOR TD	1 Pc's	
256	8082454	ENGINE BEARING FITTING	1 Pc's	
256-a	8902087	Screw Plastic Housing 20 Torx	2 Pc's	
258	8082455	RUBBER DAMPER ENGINE BEARING	2 Pc's	
260	8091434	SOUND ABSORBER INLET CONDENSE	1 Pc's	
261	8082132	COVER CONDENSATE RESERVOIRE	1 Pc's	
263	8082456	SLIDEER ENGINE BEARING	2 Pc's	
264	8088417	SEALING FRONT FRAME-COVER	1 Pc's	
269	8088416	SEALING FAN HOUSE	1 Pc's	
270	8082310	COVER INNER DUCT UL4	1 Pc's	
270-a	8902087	Screw Plastic Housing 20 Torx	2 Pc's	
271	8082161	BELT TENSIONER SPRING	1 Pc's	
272	8091071	SPACER SLEEVE	1 Pc's	



Cylinder and related parts

ASKO, T794C FI US - Titan (TD70.3)

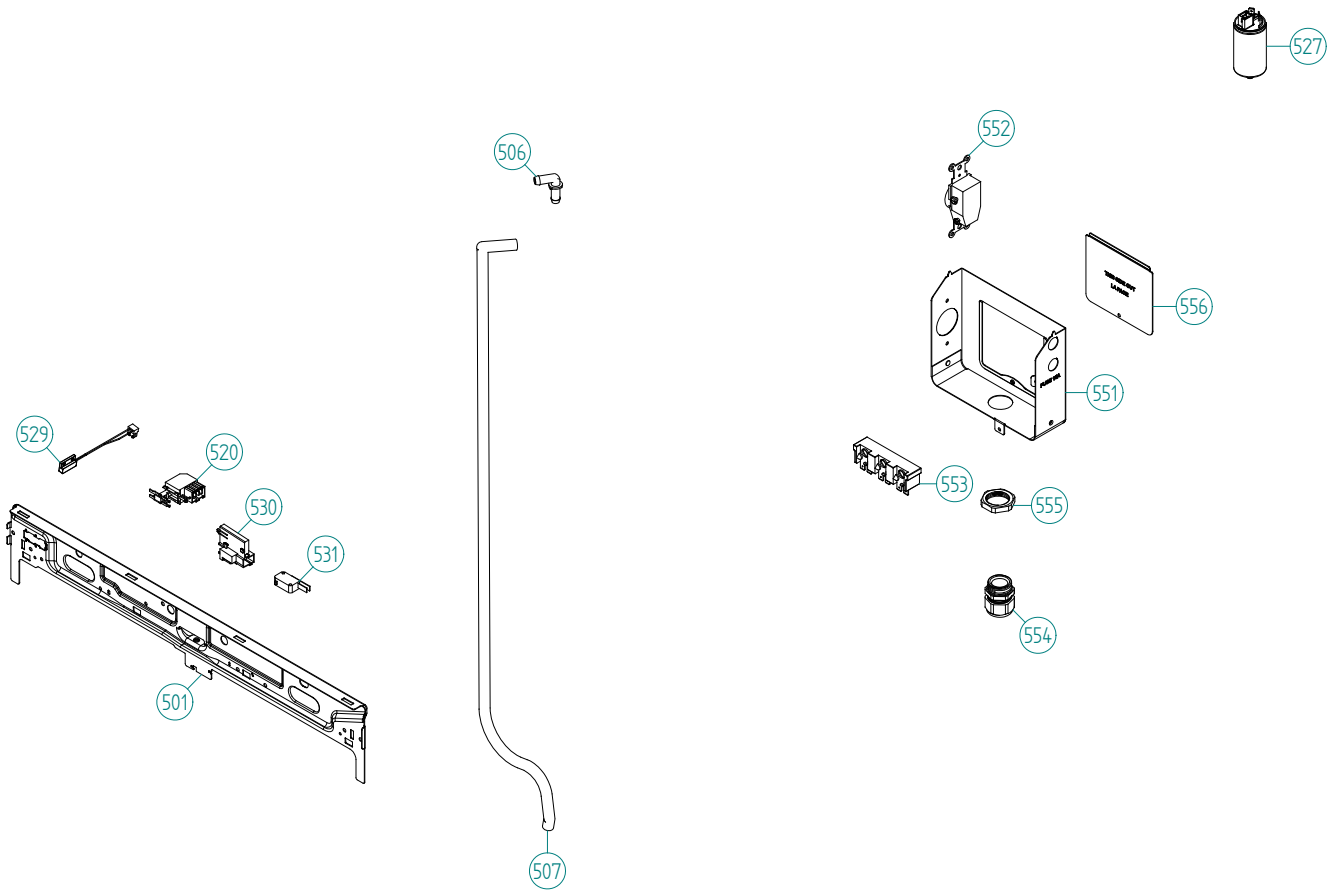
Pos	Spare part No.	Description	Qty	Comment
301	8801494	Front Frame w/Felt Seal TD70	1 Pc's	
301-a	8901971	SCREW C1-PTK 35X14 WN1453 T15	4 Pc's	
301-b	8090949	SEALING STRIP FRONT FRAME	1 Pc's	
306	8084649	LED-LIGHT COMPL.	1 Pc's	
309	8093182	Drum Roller Frt TD	2 Pc's	
309-a	8901337	Washer	2 Pc's	
309-b	8901193	Locking Nut	2 Pc's	
309-c	8901031	SCREW BUFO 8.8 8X40 GALV	2 Pc's	
310	8083344	THERMISTOR TD	1 Pc's	
311	8052589-49	PADDLE TD	2 Pc's	
311-a	8902099	Screw	5 Pc's	
313	8082133	BELT DRYER TD70	1 Pc's	
314	8082453	BEARING BUSHING SHORT	1 Pc's	
314-a	8088429	SCREW M8 A4 T40	1 Pc's	
317	8094481	FELTSEALING REAR	1 Pc's	
318	8091023-R	CYLINDER COMPL. TD	1 Pc's	
320	8004439	Bearing Dryer Rear Panel All	1 Pc's	
321	8091590	HEATING ELEMENT 2500W UL4	1 Pc's	
323	8090224	THERMOSTAT 110 TD	1 Pc's	
324	8090274	THERMOSTAT 135 MANUEL RESET UL	1 Pc's	
349	8082126	BEARING BRACKET	1 Pc's	
349-a	8902362	SCREW RTK ST 4,2X9,5 FZB WAX.	3 Pc's	
352	8902365	FLANGE NUT DIN6926 KL.8 M6 FZB	1 Pc's	
353	8082464	NUT BEARING LOCK	1 Pc's	
354	8082467	CABLE HOLDER HEATING ELEMENT	1 Pc's	



Control Panel

ASKO, T794C FI US - Titan (TD70.3)

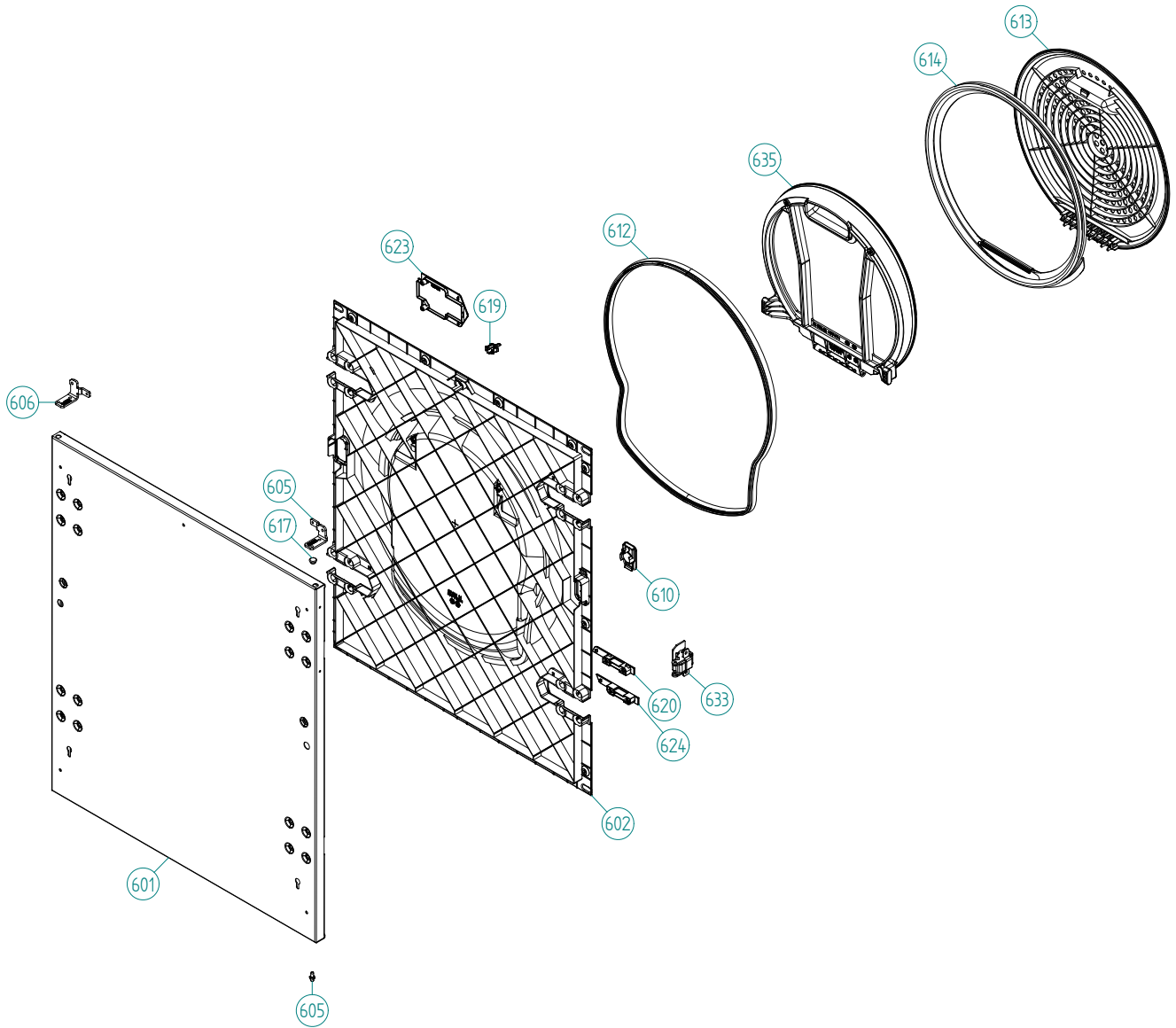
Pos	Spare part No.	Description	Qty	Comment
401	8092153-81-UL	PANEL ASKO T794C FI	1 Pc's	
402	8079749	Rubber Seal-Cntrl Panel to Brd	1 Pc's	
408	8080405-81	PUSHBUTTON MENU UL4	1 Pc's	
409	8080406-81	PUSHBUTTON MENU INNER UL4	1 Pc's	
411	8080425-81	PUSHBUTTON START/STOP INT. TD	1 Pc's	
413	8080401-81	PUSHBU. MAIN SWITCH INTEGR.UL4	1 Pc's	
419	8079897	SPRING PUSHBUTTON MAIN SWITCH	1 Pc's	
430	8801501	CONTROL UNIT COMPL. TD70.3 INT	1 Pc's	
490	8094025	INSTRUCT. T794C FI ENG. US/CA	1 Pc's	
490	8094026	INSTRUCT. T794C FI FRE. US/CA	1 Pc's	



Upper session

ASKO, T794C FI US - Titan (TD70.3)

Pos	Spare part No.	Description	Qty	Comment
501	8076029	FRONTBEAM	1 Pc's	
501-a	8902087	Screw Plastic Housing 20 Torx	1 Pc's	
506	8054072	NIPPLE WATER HOSE	1 Pc's	
507	8088419	RUBBER HOSE 9X13X1145	1 Pc's	
520	8073782	MAIN PUSH SWITCH	1 Pc's	
527	8076202	EMC-FILTER WITH INDUCTOR	1 Pc's	
527-a	8901155	Nut	1 Pc's	
527-b	8901419	Lock Washer	1 Pc's	
529	8079836	CABLE SET P TD UL4	1 Pc's	
529	8090210	CABLE BUNDLE TD70.3 COND.	1 Pc's	
530	8077519	BRACKET FOR DOOR SWITCH	1 Pc's	
531	8073836	MICROSWITCH DOOR	1 Pc's	
551	8076324	Connection box T711	1 Pc's	
552	8061455	Receptacle 05 WMD Connect	1 Pc's	
553	8061891	Terminal Block DryerTD 20	1 Pc's	
554	8060462	Grommet	1 Pc's	
554	8078291	GROMMET 94793	1 Pc's	
555	8060463	Lock Nut	1 Pc's	
556	8063756	Cover Terminal block T700s	1 Pc's	
556-a	8901097	Screw Terminal	1 Pc's	
588	8083019	CABLE SET LB TD UL4	1 Pc's	



Outer Door

ASKO, T794C FI US - Titan (TD70.3)

Pos	Spare part No.	Description	Qty	Comment
601	8076033-P-81	Outer Door	1 Pc's	
602	8082111-P-49	DOOR INNER PART INTEGRATED	1 Pc's	
605	8077599-81	HINGE UPPER R	1 Pc's	
605-a	8900327	Screw 20 Torx Self Tapping	2 Pc's	
605-b	8901097	Screw Terminal	1 Pc's	
605-c	8061804	HINGE PIN	1 Pc's	
606	8079489-81	HINGE UPPER L	1 Pc's	
606-a	8900327	Screw 20 Torx Self Tapping	2 Pc's	
606-b	8901097	Screw Terminal	1 Pc's	
606-c	8061804	HINGE PIN	1 Pc's	
610	8080934-49	MAGNET LOCK COMPL.	1 Pc's	
610-a	8902087	Screw Plastic Housing 20 Torx	1 Pc's	
612	8087917	SEALING INNER DOOR	1 Pc's	
613	8083220-49	FILTER HOLDER GREY	1 Pc's	
614	8087916	SEALING FILTER HOLDER	1 Pc's	
617	8061953-81	Door Plug Titanium	2 Pc's	
619	8077488-49	DOOR PIN	1 Pc's	
620	8077512-49	COVER 2 HINGE INNER DOOR INTE.	2 Pc's	
623	8077499-49	COVER FOR INNER DOOR INTEGR.	1 Pc's	
623-a	8902072	SCREW PT KB40X10 WN1442 GALV	1 Pc's	
624	8077500-49	COVER 1 HINGE INNER DOOR INTE.	2 Pc's	
633	8077497	HINGE INTEGRATED	1 Pc's	
633-a	8079877	SCREW MFT 8.8 M5X10 FZB	3 Pc's	
633-b	8902133	Screw	4 Pc's	
635	8801511	LINT FILTER COMPL. TD70	1 Pc's	

RESISTANCES AT ROOM TEMPERATURE (CA. 20°C/68°F)
 VALUES WITH +/-10% ARE REGARDED AS NORMAL
 COMPONENT

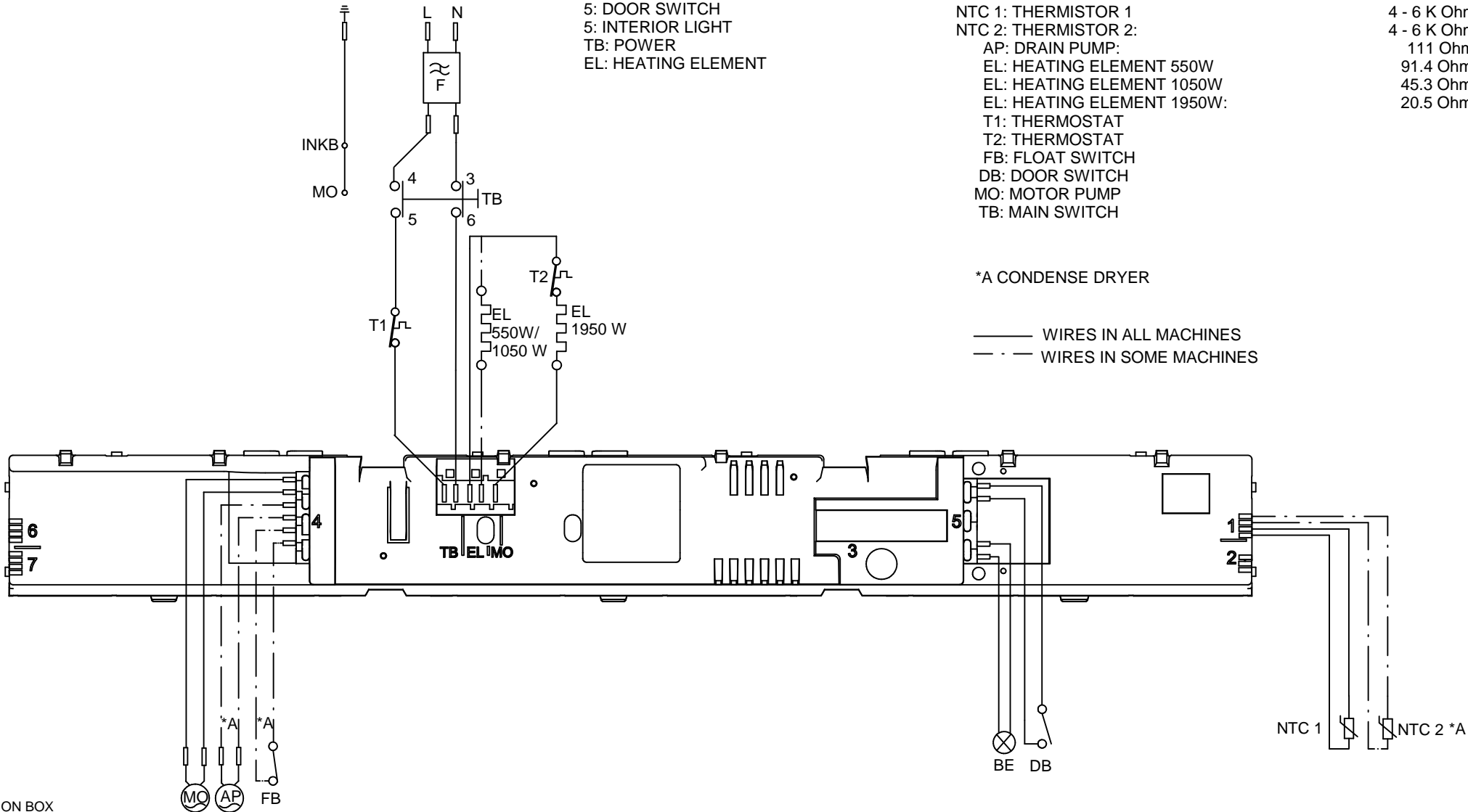
F: RADIO INTERFERENCE SUPPRESSION FILTER	680K Ohm
NTC 1: THERMISTOR 1	4 - 6 K Ohm
NTC 2: THERMISTOR 2:	4 - 6 K Ohm
AP: DRAIN PUMP:	111 Ohm
EL: HEATING ELEMENT 550W	91.4 Ohm
EL: HEATING ELEMENT 1050W	45.3 Ohm
EL: HEATING ELEMENT 1950W:	20.5 Ohm

- CABLE POSITIONS
 1: THERMISTOR
 4: MOTOR, DRAIN PUMP, FLOAT SWITCH
 5: DOOR SWITCH
 5: INTERIOR LIGHT
 TB: POWER
 EL: HEATING ELEMENT

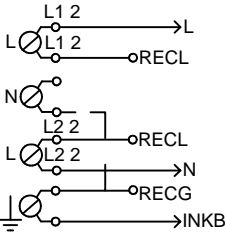
- T1: THERMOSTAT
 T2: THERMOSTAT
 FB: FLOAT SWITCH
 DB: DOOR SWITCH
 MO: MOTOR PUMP
 TB: MAIN SWITCH

*A CONDENSE DRYER

— WIRES IN ALL MACHINES
 - - - WIRES IN SOME MACHINES



CONNECTION BOX FOR USA & CANADA



2012-01-11

CIRCUIT DIAGRAM TD70.3

80 902 62 - 02

This document must not be copied without our written permission, and the contents thereof must not be imparted to a third party nor be used for any unauthorized purpose. Contravention will be prosecuted. Asko Appliances AB