

This Owner's Manual is provided and hosted by [Appliance Factory Parts](http://www.appliancefactoryparts.com).



# ASKO T794 Owner's Manual

[Shop genuine replacement parts for ASKO T794](#)



[Find Your ASKO Dryer Parts - Select From 74 Models](#)

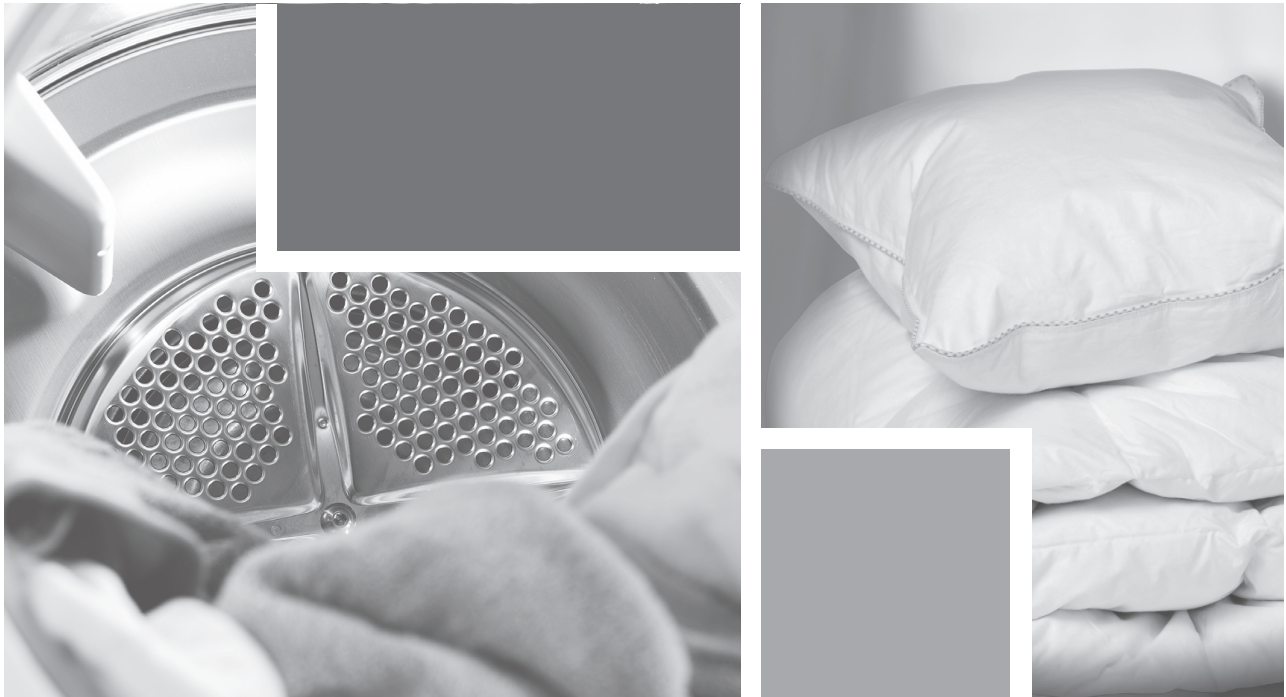
----- Manual continues below -----

Dear Customer,

Thank you for choosing this quality product from ASKO.

We hope it will meet your expectations and fulfill your needs for many years to come. Scandinavian design combines clean lines, everyday functionality, and high quality. These are key characteristics of all our products and the reason they are greatly appreciated throughout the world.

To ensure that you get the most out of your new machine, we recommend that you read the operating instructions before using the machine. The operating instructions also contain information on how to avoid damaging the environment.



## Operating Instructions

Tumble dryer  
ASKO T794C

**WARNING:** Read the instructions before using the machine.

# Contents

<b>Before using your machine for the first time</b>	<b>3</b>	<b>Settings</b>	<b>14</b>
Language selection	3	You can carry out the following settings	14
<b>Safety instructions</b>	<b>4</b>	How to choose the settings:	14
Safety	4	Clock	14
Installation	4	Audible Volume	14
Transport/Winter storage	4	Language	14
Packing material	4	Child-safe	14
Recycling	4	Return	14
<b>Child safety</b>	<b>5</b>	<b>Care and cleaning</b>	<b>15</b>
General	5	Cleaning the lint filter	15
Do not allow children to play with the tumble dryer.	5	Emptying the condensed water container	16
Child-safe start	5	Cleaning the condenser	17
To deactivate child-safe start temporarily:	5	Cleaning the outside of the machine	18
<b>Description of the tumble dryer</b>	<b>6</b>	<b>Troubleshooting</b>	<b>19</b>
<b>Advice and tips before you tumble-dry</b>	<b>7</b>	The machine will not start	19
Materials that can be tumble-dried	7	The machine loses all power during a programme	19
Materials that must not be tumble-dried	7	Drying takes too long	19
Static electricity	7	Error messages	19
<b>Tumble drying</b>	<b>8</b>	<b>Technical information</b>	<b>20</b>
Sort your fabrics	8	Technical data	20
Press the main power switch until the display lights.	8	Standard tests	20
Open the door, load the items and then close the door	8	Information on energy labelling	21
Select the programme	9	<b>Service</b>	<b>22</b>
Selecting Options	12	Before contacting the service division	22
Press the Start button.	12	<b>Installation</b>	<b>23</b>
Drying programme finished	13	Electrical installation	23
		Switch-over	23
		<b>Door hanging</b>	<b>24</b>
		Follow these instructions:	25
		<b>Quick guide</b>	<b>28</b>

# Before using your machine for the first time

## Language selection

You will be prompted to select the display language when you have connected your machine and start it for the first time. Do as follows:

1. Turn the programme selector to choose from:  
US English, English, Svenska, Dansk, Norsk, Suomi, Français, Deutsch, Italiano, Espanol, Русский, Nederlands.
2. Press Start or Stop to save and to move on to the clock and time display settings.

## Laundry labels

Certain materials are not suitable for tumble-drying. Always check and follow the instructions on each item's laundry label. You can find more information in the Advice and tips before you tumble-dry chapter.

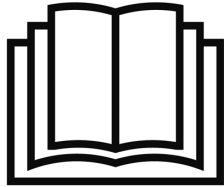
### NOTE!

When starting the tumble dryer for the first time or after a long period without use, you may notice a slight thumping noise. This noise is completely normal and will disappear after a few loads.

# Safety instructions



## Read the operating instructions and keep them in a safe place!



- Electrical installation, if required, should be carried out by a qualified electrician.
- The machine should only be used for tumble-drying as described in these instructions.
- Repairs and maintenance relating to safety or performance must be carried out by a qualified professional.
- Damaged mains cables must only be replaced by a qualified electrician.
- Sufficient ventilation is required to prevent smoke from open fires or fumes from equipment burning other fuels being sucked into the room when the tumble dryer is running.
- Do not dry dirty laundry in the tumble dryer.
- Items that are stained with e.g. cooking oil, acetone, alcohol, petrol, kerosene, stain remover, turpentine, wax and wax remover should be washed in hot water with extra detergent before they go in the tumbler dryer.
- Items such as foam rubber, latex, plastic, waterproof textiles, rubber-coated items and clothes and foam-rubber filled cushions must not be dried in the tumbler dryer.
- Fabric softener or similar products should be used as per the recommendations of the detergent manufacturer.
- The machine is not designed to be used by persons (even children) that are physically or mentally handicapped or lack experience and knowledge. Such persons must receive instruction in how to use the machine from the person responsible for their safety.
- Children must be watched to ensure they do not play with the machine.

## Safety

- The machine must not be used for drying items that have been dry-cleaned at home or fabrics that may contain residues of flammable liquids.
- The tumble dryer is not to be used if industrial chemicals have been used for cleaning.
- The tumble dryer is protected by an overheating cut-out. This shuts off the machine if the temperature gets too high.
- A float shuts off the machine in the event of a blockage in the condensed water hose or if there is a risk of the condensed water container overflowing.

### WARNING!



When the tumble dryer is operating, the back of the tumble dryer will get very hot. Leave the machine to cool completely before touching the back.

## Installation

See the separate installation instructions.

## Transport/Winter storage

If you need to move your machine or store it over the winter in unheated premises, make sure that you drain the condensed water container beforehand.

## Packing material

Please sort waste materials in accordance with local guidelines.

## Recycling

This machine is manufactured and labelled for recycling. In order to prevent personal injury, the machine must be made inoperable after deciding to take it out of service. Contact your local authority for information about where and how your machine should be correctly recycled.

# Child safety

## General

**WARNING!**



### **Do not allow children to play with the tumble dryer.**

- If the door is opened when a programme is running the garments may be very hot, with a risk of burn injuries.
- The tumble dryer does not start automatically when the door is closed (if a child pulls the door shut from the inside, for example).

## **Child-safe start**

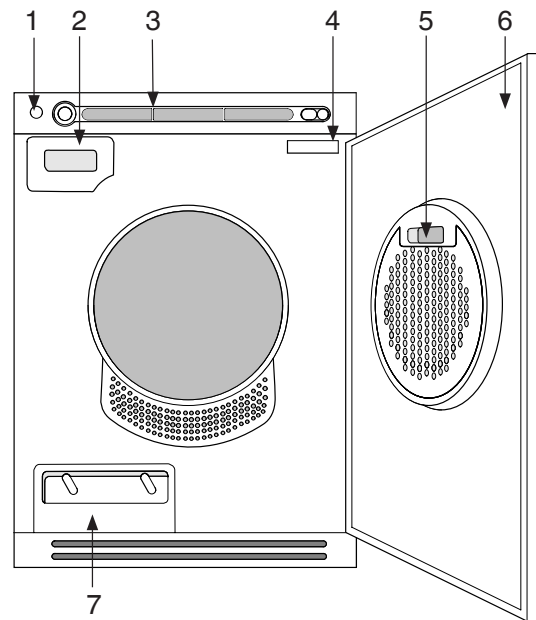
By activating the child-safe start function you can prevent children from starting the tumble dryer or changing the current programme.

1. Turn the programme selector until Settings is highlighted in the display window.
2. Press the middle of the programme selector once.
3. Turn the programme selector until Child-safe is highlighted in the display window.
4. Press the programme selector once to access the options menu on the right of the display.
5. Turn the programme selector to choose between On and Off.
6. Press the programme selector to activate.

### **To deactivate child-safe start temporarily:**

Simultaneously press the programme selector and the Start button to deactivate child-safe start for three minutes.

## Description of the tumble dryer



- |    |                           |    |             |
|----|---------------------------|----|-------------|
| 1. | Main power switch         | 5. | Lint filter |
| 2. | Condensed water container | 6. | Outer door  |
| 3. | Panel                     | 7. | Condenser   |
| 4. | Type plate                |    |             |


# Advice and tips before you tumble-dry

Here are some tips that may help you before you begin tumble-drying.

## Have the clothes been spun?

Items to be tumble-dried should be spun at 1000 rpm or faster. Higher spin speeds save energy and reduce drying time.


## Materials that can be tumble-dried

 This symbol means that the material is suitable for tumble-drying. Fabrics best suited to tumble-drying are cotton fabrics, terry cloth and synthetic fibres. Garments will be softer and lighter when tumbled than when hung out to dry.

### NOTE!

The tumble dryer does not cause any significant wear on fabrics. The lint that collects in the lint filter consists of dust and fibre residues formed when the items are used.

## Materials that must not be tumble-dried

 This symbol means that the material is not suitable for tumble-drying. Certain materials may melt or become a fire hazard if exposed to heat, and others can lose their shape or shrink.

### And do not tumble-dry

- materials labelled "Do not dry near heat".
- garments that have been dry-cleaned at home.
- plastic foam.
- fibreglass material.
- wool must not be tumble-dried because of the risk of felting.

## Static electricity

To reduce the risk of static electricity in the laundry after tumble drying you can:

- Use fabric softener when washing.
- Wait five minutes after the drying program ends before opening the door and removing the laundry from the dryer.

### NOTE!

You can stop the tumble dryer by pressing the Stop button for three seconds or by opening the door. In both cases the programme is stopped and starts from the beginning if restarted. If you do not want to restart the programme then immediately remove all laundry and spread it out to allow the heat to dissipate.

# Tumble drying

Below are step-by-step instructions to help you achieve the best possible tumble-drying results.

- 1 Sort your fabrics**  
You will achieve the most uniform drying results if the items are made of the same type of material. Do up zips and buttons, fasten belts, sort the items and adjust the load and temperature.

Do not overload the drum!  
Overloading the dryer will result in poor drying results and wrinkling.

- 2 Press the main power switch until the display lights.**

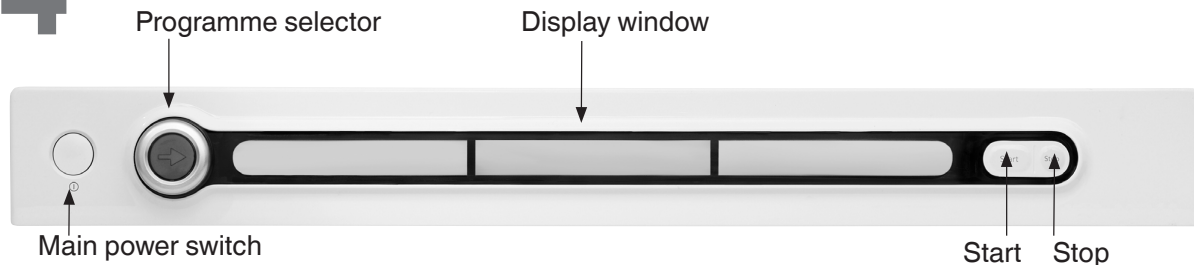
- 3 Open the door, load the items and then close the door**

Make sure that objects e.g. detergent dispensing balls, have been removed from the laundry. They could melt and cause damage to the dryer or the laundry.

To save energy, always observe the maximum load for each programme (see Program chart).

# Tumble drying

## 4 Select the programme



Select a programme by turning the programme selector. The name of the selected programme and the programme time are shown in the display window. Press the button in the middle of the programme selector if you want to select any options.

### Guidelines as to what specific programmes can be used for:

#### Auto extra dry

This programme is for items that are particularly difficult to dry.

#### NOTE!

Knitted fabrics in particular are prone to shrinkage. Use the Auto dry, Auto normal dry ◻ or Auto Iron dry programmes for these items. Stretch clothes back into shape immediately after drying.

#### Auto dry and Auto normal dry ◻

These programmes end automatically when the load is dry. The Auto dry programme gives slightly drier laundry than Auto normal dry ◻.

#### Auto Iron dry

This programme shuts off the heat once the load is just damp enough for ironing or pressing.

#### Jeans

Programme for jeans and clothing with very thick seams.

#### Synthetics

Gentle programme for synthetics.

#### Terry towels

Programme intended for large and small loads of thick terry cloth, such as towels and bathrobes.

#### Down

Gentle programme that dries down items completely. Can be used to dry up to three pillows or one quilt.

#### Timed dry

The most suitable programme time depends on what you intend to do with the items after tumble-drying them. Use trial and error to find out what works best. When you use Timed dry to tumble-dry a load of mixed fabrics, some of the garments may remain damp. Tumble-dry any damp garments for a further 30 minutes or so using the Timed dry programme. Select the programme time by pressing the programme selector until the ⌚ symbol is highlighted. Turn the programme selector to set the desired programme time.


#### NOTE!

When using the Timed dry programme with a programme time that is too long, the garments can become "over-dry". This can cause items to shrink or crease and feel rough to the touch. Synthetic materials can also become charged with static electricity.

# Tumble drying

## **Revitalise**

Use the Air fluff programme when you just want to refresh, air or soften up items.

Select the programme time by pressing the programme selector until the  symbol is highlighted. Turn the programme selector to set the desired programme time.

Depending on whether you have set the clock to 12h display, 24h display or remaining programme time display, the start time will be displayed as the actual time or the remaining time. To change the setting, see the Settings chapter.

# Tumble drying

## Programme chart

Here we present the energy and time consumption of a few different programmes. The table shows the effect of using different spin speeds when washing the load. Consumption can vary depending on room temperature, humidity, load, variations in the power supply and selected options.

For the consumption values given below, the requirements are as follows:

Temperature of intake air: 23 °C

Moisture content of intake air: 55 %

Drying temperature: Normal

Program	Material	Load	Spin speed (rpm)	Energy consumption, approx. (kWh)	Programme time, approx. (min)		
					1950W/10A	2500W/16A	
Auto extra dry	Cotton, linen	1/1	800	4,8	158	133	
			1000	4,5	147	122	
			1400	4,0	131	111	
			1600	3,7	125	105	
Auto dry	Cotton, linen	1/1	800	4,6	147	122	
			1000	4,2	137	117	
			1400	3,6	120	100	
			1600	3,4	114	94	
		Easy care, polyester/cotton	1/2	1000	2,1	77	67
Auto normal dry	Cotton, linen	1/1	800	4,5	142	122	
			1000*	4,19	131	111	
			1400	3,5	114	94	
			1600	3,0	98	83	
		Cotton, linen	1/2	1000*	2,30	76	64
		Easy care, polyester/cotton	1/2	1000	1,5	49	44
Auto Iron dry	Cotton, linen	1/1	800	4,4	139	139	
			1000	3,7	117	117	
			1400	3,0	100	100	
			1600	2,4	78	78	

\* Test program according to EN61121. The machine shall be tested at 16A.

# Tumble drying

## 5 Selecting Options

By selecting options, you can tailor a drying programme to suit your requirements. The available options depend on the selected programme. Once you have started the programme, the options you selected are saved for the next time you use the same programme. The exception is Delayed Start, which is not saved for the next time.

### Energy Save

1. Select Energy Save by pressing the programme selector until Energy Save is highlighted.
2. Turn the programme selector until Energy Save is displayed.
3. Press the Start button to start the programme or press the programme selector to choose more options.

### Time saver

You can select Time saver with all programmes except Revitalise. The programme is shortened by about 12 minutes.

1. Press the programme selector until Time saver is highlighted.
2. Turn the programme selector until Time saver is displayed.
3. Press the Start button to start the programme or press the programme selector to choose more options.

### Anti crease

This is a useful feature if you cannot take the washing out as soon as the tumble dryer has finished. The function prevents the clothes from remaining in the same position and becoming creased. The drum will rotate for three seconds per minute for two hours once the drying programme has finished

1. Select Anti crease by pressing the programme selector until Anti crease is highlighted.
2. Turn the programme selector to select On or Off.

3. Press the Start button to start the programme or press the programme selector to choose more options.

### Delayed Start

Choose the time you want the programme to start. This option cannot be selected with the Timed dry or Revitalise programme.

1. Press the programme selector until Delayed Start is displayed.
2. Turn the programme selector to set the start time for the programme.
3. Press the Start button to activate the programme or press the programme selector to select more options.

Depending on whether you have set the clock to 12h display, 24h display or remaining programme time display, the start time will be displayed as the actual time or the remaining time. To change the setting, see the Settings chapter.

## Tumble drying

### **6 Press the Start button.** **Remaining drying time**

An estimate of the remaining drying time will be shown on the display a few minutes after the drying programme starts. 1:35 means that it will take approximately 1 hour and 35 minutes for the load to dry. If the Anti crease option has been selected, the drum will rotate for three seconds per minute for two hours after the programme is finished.

You can stop the tumble dryer by pressing the Stop button or by opening the door. In both cases the programme is stopped and starts from the beginning if restarted.

#### **NOTE!**

The programme will not be affected if you change the programme selector after the programme has started.

# Tumble drying

## 7 Drying programme finished

The text "Done" is shown on the display. If the Anti crease option has been selected the drum will rotate for three seconds per minute for two hours after the programme is finished.

### Backlighting

Two minutes after the drying programme finishes the backlighting on the display and options buttons enters energy saving mode. Turn the programme selector if you want to activate the machine.

### Condensed water

The condensed water container must be emptied after each load. Remove the condensed water container, empty out the water and replace the container. If the condensed water container becomes full to overflowing, the programme is interrupted and Over Flow appears on the display. Empty the container and press the Start button to start a new programme.

#### TIP!

The condensed water is decalcified and can be used in steam irons. Pour it through a coffee filter.

#### NOTE!

- Clean the lint filter in the outer door after each load. See the Care and cleaning chapter.
- Empty the condensed water container after each load.

#### WARNING!



If the lint filter becomes clogged, the machine's automatic overheating cut-out may be triggered. Clean the filter, wait until the machine has cooled then try starting it. If it still does not start: Call the service division.

### Once drying has finished

Turn off the main power switch. Remove the clothes and close the door to prevent small children from climbing into the machine.

# Settings

## You can carry out the following settings

- Clock
- Audible Volume
- Language
- Child-safe
- Return

### How to choose the settings:

1. Turn the programme selector until Settings is highlighted in the display window.
2. Press the middle of the programme selector once.
3. Turn the programme selector until the setting you want to change is highlighted in the display window.

### Clock

Set to 12h display, 24h display or remaining time display. If you select 12h or 24h, the start and finish times will be shown as actual times.

1. Press the programme selector again to access the options menu on the right of the display.
2. Turn the program selector to choose whether 12h, 24h, or remaining programme time is displayed.
3. Press the program selector to save your setting.
4. When you have selected 12 or 24 hour, you will automatically gain access to the clock-setting menu.

### Setting the clock

5. Turn the programme selector until the right hour figure is shown.
6. Press the program selector to save your setting.
7. Turn the programme selector until the right minute figure is shown.
8. Press the program selector to save your setting.
9. If you do not want to select any more settings, turn the program selector anticlockwise to the program you want.

### Audible Volume

You can choose to have the machine notify you when a programme is finished or when a fault has occurred.

1. Press the programme selector again to access the options menu on the right of the display.
2. By turning the programme selector you can select the setting for the Audible Volume: Off, Low, Normal, High.
3. Press the program selector to save your setting.

### Language

You can choose the language that you prefer.

1. Press the programme selector again to access the options menu on the right of the display.
2. Turn the programme selector to choose from: US English, English, Svenska, Dansk, Norsk, Suomi, Français, Deutsch, Italiano, Espanol, Русский, Nederlands.
3. Press the program selector to save your setting.

### Child-safe

You can activate the Child-safe option to prevent children from starting the machine. By pressing the programme selector and the Start button at the same time for three seconds, you can temporarily disable the Child-safe option for three minutes.

1. Press the programme selector again to access the options menu on the right of the display.
2. Turn the programme selector until On or Off is displayed.
3. Press the programme selector to activate.

### Return

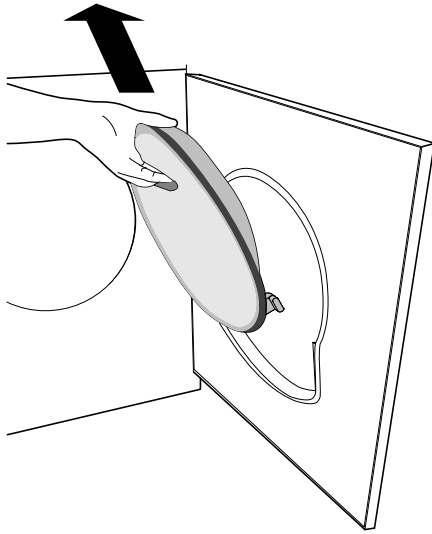
Press the programme selector or Start again to return to the programme menu.

## Care and cleaning

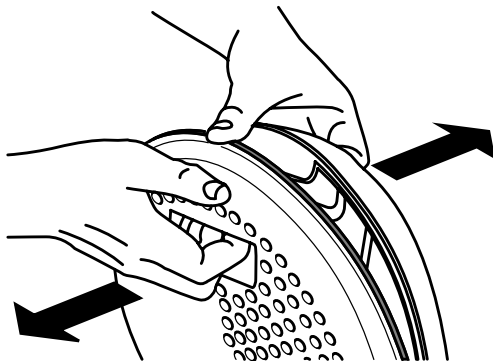
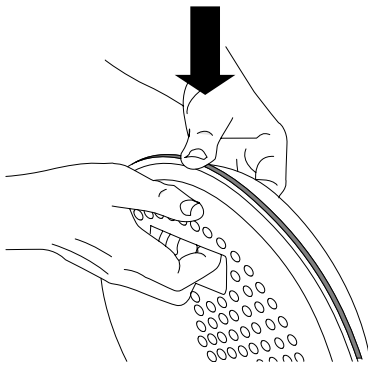
### Cleaning the lint filter

The lint filter must be cleaned after each load.

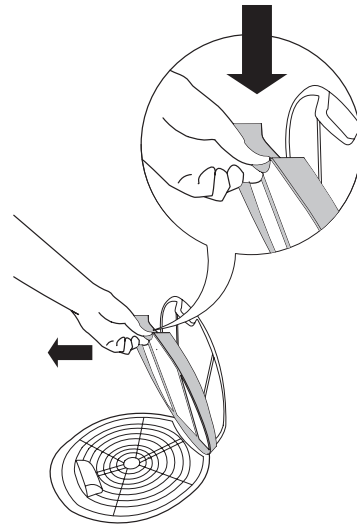
1. Lift the filter from the holder in the door.



2. Open the lint filter. Push against the edge with your thumb as shown in the figure.



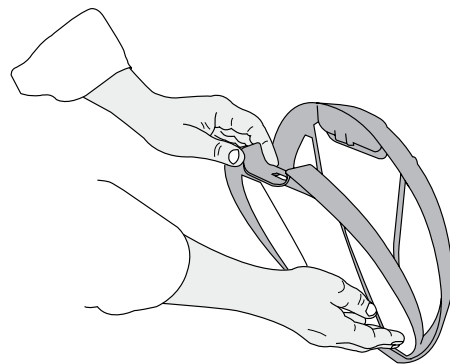
3. Open the inner filter as shown in the figure.



4. Use your hand or a soft cloth to remove the lint from all sides of the filter. If necessary, use a damp sponge and a small amount of washing-up liquid to remove any deposits. Dry the filter thoroughly with a towel.

### NOTE!

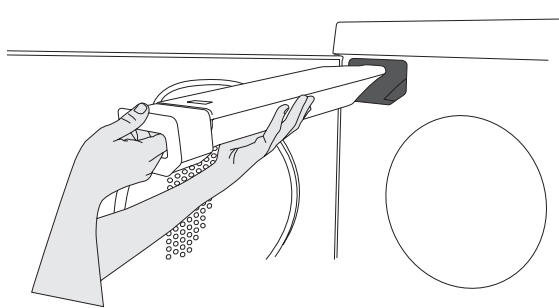
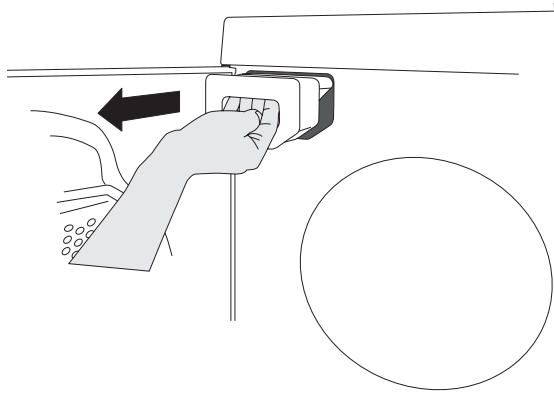
Clean the surface of the lint (fluf) filter after each drying program.



5. To close the lint filter, follow the reverse order of steps used for opening. Then, replace the filter by sliding it back into the door. Close the lint filter before closing the door.

## Care and cleaning

### Emptying the condensed water container



If you have not connected the machine to a separate drain the condensed water container must be emptied after each load. Remove the condensed water container, empty out the water and replace the container.

If the condensed water container becomes full to overflowing, the programme is interrupted and "Over Flow" appears on the display. Empty the container and press the Start button to restart the programme.

For connection to a separate drain, see the installation instructions in the set of documents.

#### **NOTE!**

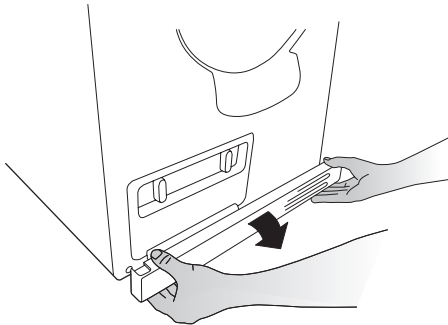
The dryer must not be used without the condenser unit in place.

# Care and cleaning

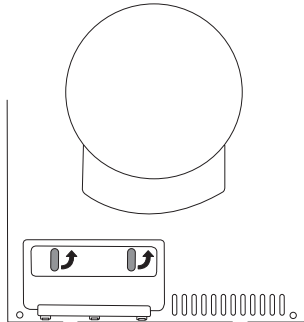
## Cleaning the condenser

The condenser should be cleaned at least three times a year. If you have pets, the condenser must be cleaned more frequently.

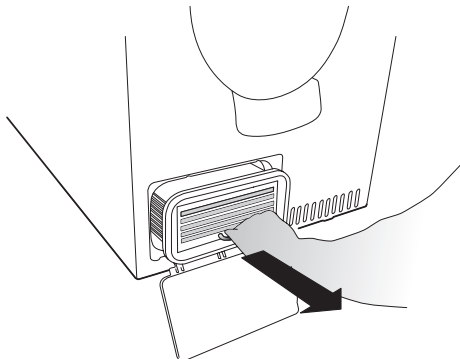
1. Turn off the tumble dryer with the main power switch and open the outer door.
2. Remove the plinth.



3. Open the condenser panel by turning the two knobs.



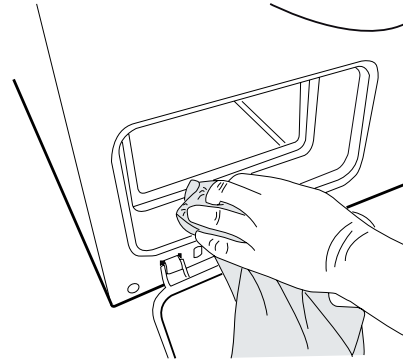
4. Remove the condenser and rinse the ribs clean, such as with a hand-held shower. Do not poke around in the rib gaps as you may damage the condenser. Do not use pointed metal objects when cleaning.



## NOTE!

Do not clean the condenser in a dishwasher.

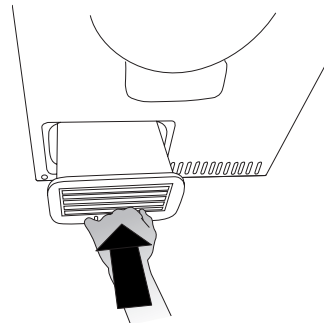
5. Wipe any lint from the channel in front of the condenser and inside the condenser compartment. Use a cotton bud or similar item to remove any lint from the drain hole at the front edge of the compartment.



## NOTE!

It is quite normal for water to collect in the channel in front of the condenser.

6. Replace the condenser with the handle facing down as illustrated.



7. Reattach the plinth.

## Care and cleaning

### **NOTE!**

Clean the filters after each drying.  
Do not replace the filters if they are damp or wet. Damp or wet filters could cause operational faults.

### **NOTE!**

The dryer should never be operated without the filters in place, or with damaged filters as excessive amount of accumulated fibres from the fabric could cause malfunction or failure of the dryer.

### **Cleaning the outside of the machine**

Clean the outside of the machine and the programme panel with a mild cleaner. Do not use solvents, as these can damage the machine. Do not hose down or spray the machine with water.

### **NOTE!**

Do not allow dust to accumulate around the machine. Keep the area around the tumble dryer clean and cool; dust, heat and moisture prolong drying times.

# Troubleshooting

## The machine will not start

Check

- that the door is properly closed.
- that the main power switch is on.
- that the Delayed Start option has not been selected. To cancel Delayed Start, press the Stop button for three seconds.
- that the plug is connected.
- that the main fuses have not blown.
- that the overheating cut-out has not been triggered.

## The machine loses all power during a programme

The overheating cut-out shuts off the tumble dryer if the temperature is too high, e.g. because dust is clogging the lint filter.

- Clean the lint filter.
- Check also that the condensed water container is not full and, if necessary, clean the condenser.  
See the Care and cleaning chapter.
- Wait until the machine has cooled then try starting it. If it still does not start: Call the service division.

## Drying takes too long

- Check that the lint filter is not blocked. See the Care and cleaning chapter.
- Empty the condensed water container and check that the condenser is not blocked. See the Care and cleaning chapter.
- Overly long drying times may also be due to the tumble dryer being located in a confined area or in a room that is too small, causing the air to become too hot.
- Make sure that the tumble dryer has access to more cold air, open doors and/or windows, for example.

## Error messages

- If Over Flow appears on the display, the condensed water container is full. Empty the container and restart the machine.
- Read Drying takes too long in this chapter if Max program time appears on the display.
- If Clean Lint Filter appears on the display, clean the lint filter.
- If Clean condenser appears on the display, clean the condenser. See the Care and cleaning chapter.
- Call the service division if Thermistor fault appears on the display.
- Press the Stop button to close any error messages.

# Technical information

## Technical data

Height:	850 mm
Width:	595 mm
Depth:	585 mm
Weight (net):	44 kg
Cylinder volume:	112 l
Max. drying capacity:	7 kg
Speed:	50-55 rpm
Rated power:	See type plate.
Drum material:	Stainless steel
Outer casing material:	Powder-coated and hot-galvanized sheet steel or stainless steel.
Setup	Stacking or freestanding

## Standard tests

For the standard test the machine's condensed water hose must be connected to a drain.

Europe:

Energy declaration: EN 611 21 (392/2012). Programme 3 Auto normal dry ☐, 7 kg cotton, temperature Normal, Time saver. The machine has been tested for 1-Phase 16A.

For switching between 10A and 16A, see the installation instructions in the set of documents.


Test method for noise measurement: IEC 60 704-2-6.



# Technical information

## Information on energy labelling

Information sheet, in compliance with Commission Delegated Regulation (EU) No. 392/2012

### Asko

Model designation	T794C
Max. drying capacity	7 kg
Energy efficiency class	B
Annual energy consumption ( $AE_c$ )	504 (kWh/year) <sup>1)</sup>
Energy consumption	
Auto normal dry with full load ( $E_{dry}$ )	4,19 (kWh)
Auto normal dry with half load ( $E_{dry1/2}$ )	2,30 (kWh)
Power consumption	
Off-mode ( $P_o$ )	0,5 (W)
Left-on mode ( $P_l$ )	0,5 (W)
Condensation efficiency	
Auto normal dry with full and half load ( $C_t$ )	81 (%)
Auto normal dry with full load ( $C_{tdry}$ )	81 (%)
Auto normal dry with half load ( $C_{tdry1/2}$ )	81 (%)
Drying programme	Auto normal dry <sup>2)</sup> 
Programme time (minutes)	
Auto normal dry with full and half load ( $T_t$ )	84 (minutes)
Auto normal dry with full load	111 (minutes)
Auto normal dry with half load	64 (minutes)
Airborne acoustical sound	66 (dB(A))
Type of dryer (A=Automatic, NA=Non Automatic)	A
Standby mode duration	2 (minutes)
Condensation efficiency class	B <sup>3)</sup>

- 1) Based on 160 standard drying cycles for Auto normal dry  full and half load, and consumption in accordance with the low power modes. The actual energy consumption will depend on how the machine is used.
- 2) The Auto normal dry  is intended for drying of normally wet cotton laundry. It is the most efficient program for drying cotton laundry in terms of power consumption.
- 3) On a scale from G (least efficient) to A (most efficient).

# Service

## Before contacting the service division

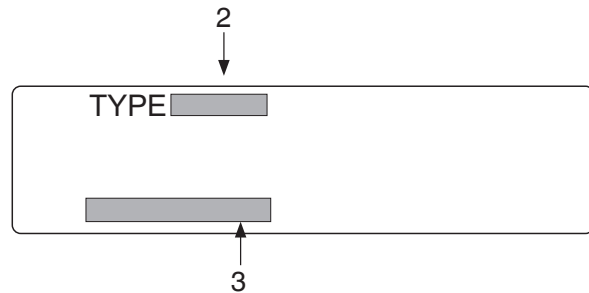
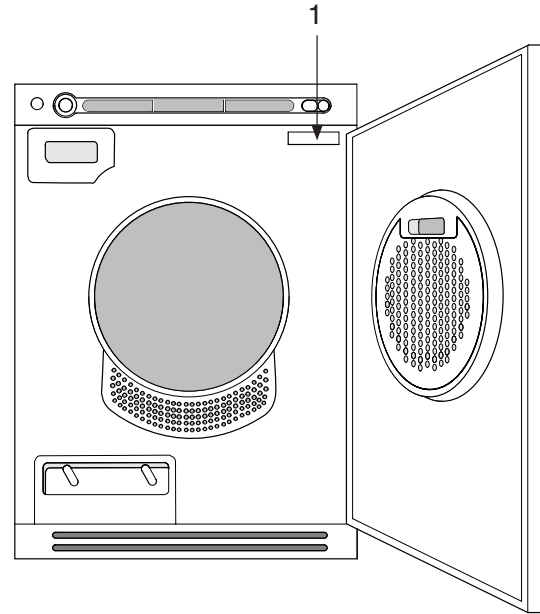
See the Troubleshooting and Care and cleaning chapters to see whether you can rectify the problem.

If you need to contact the service division, make sure that you know the model designation, type designation and serial number.

The model designation (1) can be found on the first page of the operating instructions and on the machine panel. The type designation (2) and serial number (3) can be found on the type plate, which is found on the front of the tumble dryer inside the outer door.

### NOTE!

Only authorised spare parts shall be used in the event of failure.



### NOTE!

Repair or any warranty claim resulting from incorrect connection or use of the dryer shall not be covered by the warranty. In such cases, the costs of repair shall be charged to the user.

### Residential ASKO Products Used Exclusively for Household/Personal Purposes:

Two (2) Years limited Warranty – Any warranty service claims for residential ASKO Products must be filed with ASKO within two (2) years from date of purchase. Service will be provided during normal business hours.

# Installation

## Installation

See the separate installation instructions included in the set of documents.

### NOTE!

Do not install the machine in a room where there is a risk of frost occurring. At temperatures around freezing point the machine may not be able to operate properly.

The room in which the appliance is installed should be adequately ventilated, with temperature between 15°C and 25°C.

## Electrical installation

Connect the machine by plugging it into an earthed wall socket. The electrical wall socket must be placed outside of the installation area to be easily accessible.

## Connection on delivery

- 230V, 1-Phase, 10A
- 50Hz
- Heat output 1950W
- Use a type A residual-current device.

### NOTE!

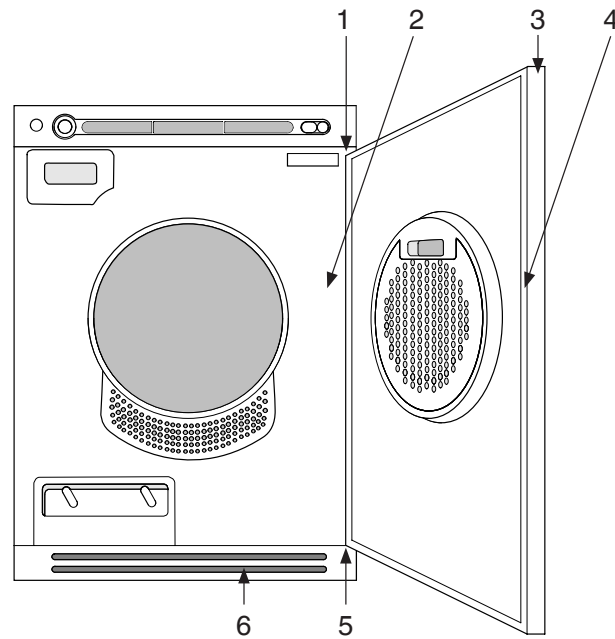
Do not connect the machine to the mains electricity supply by an extension lead.

## Switch-over

The switchover must be performed by a qualified electrician.

1. Turn off the machine using the main power switch.
2. Press and hold the Stop button, and then press the main power switch. Press the Stop button 5 times within 10 seconds.
3. Turn the programme selector and choose between: Heater 2 On (2500W/16A) and Heater 2 Off (1950W/10A).
4. Press the Start button once to save your selection. The machine returns to the programme menu.

## Door hanging



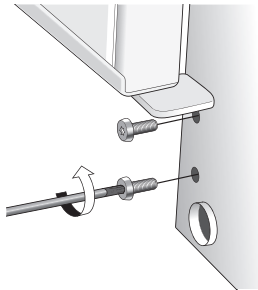
- |   |                               |
|---|-------------------------------|
| 1. Hinge pins (top and bottom)                  | 4. Locking hook               |
| 2. Cover plate                                  | 5. Hinges (left + right side) |
| 3. Plastic plugs (on the upper and lower edges) | 6. Plinth                     |

# Door hanging

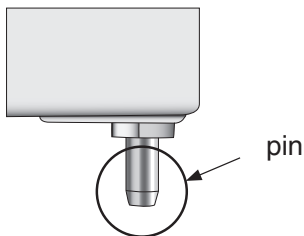
You can choose whether the door is hung on the right or the left.

## Follow these instructions:

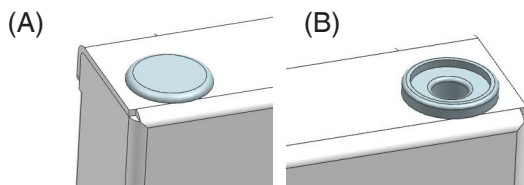
1. Remove the pinth.
2. Remove the hinge, two screws.



3. Lift the door up and remove it. Support the door at the same time.
4. Remove both door pins (top and bottom). Fit them on the other side of the machine. Replace the hinge.



5. Also change the hole plug (A) (on top) and the door hinge bushing (B) (at the top and on the bottom), and replace them on the other side of the door.

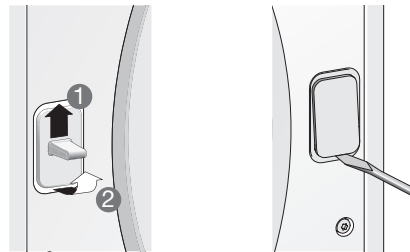


Use a flat screwdriver to remove the plugs.

## NOTE!

Be careful not to damage the appliance with the screwdriver.

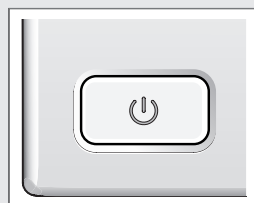
6. Loosen and remove the catch (lift up and pull out) and the cover plate on the door and the machine. Switch the catch and the cover plate.



7. Refit the door by loosening the hinge screws slightly, affixing the door, and closing it. Tighten the hinges. Replace the Toe kick.

# Notes

## QUICK GUIDE



1.

### TURN ON THE MAIN POWER SWITCH

Load the garments. Close the door.



2.

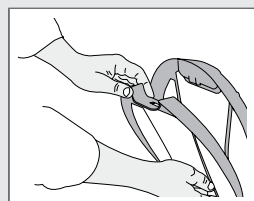
### SELECT A PROGRAM AND ANY OPTIONS

Turn the program selector to the desired program.



3.

### PRESS THE START BUTTON



4.

### DRYING PROGRAM FINISHED

The text "End" is shown on the display for 2 minutes.

The machine then turns off.

Clean the lint filter after each load.

Close the door.

We reserve the right to make changes.

# ASKO

Gorenje, Partizanska 12, 3320 Velenje, Slovenija

[www.asko.com](http://www.asko.com)

