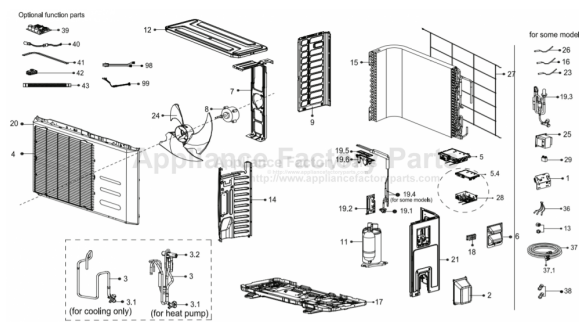


This Owner's Manual is provided and hosted by Appliance Factory Parts.



COMFORT-AIRE A-DVH24SG-1 Owner's Manual

[Shop genuine replacement parts for COMFORT-AIRE
A-DVH24SG-1](#)



[Find Your COMFORT-AIRE HVAC Parts - Select From 1486 Models](#)

----- Manual continues below -----

Comfort-Aire®

Century®

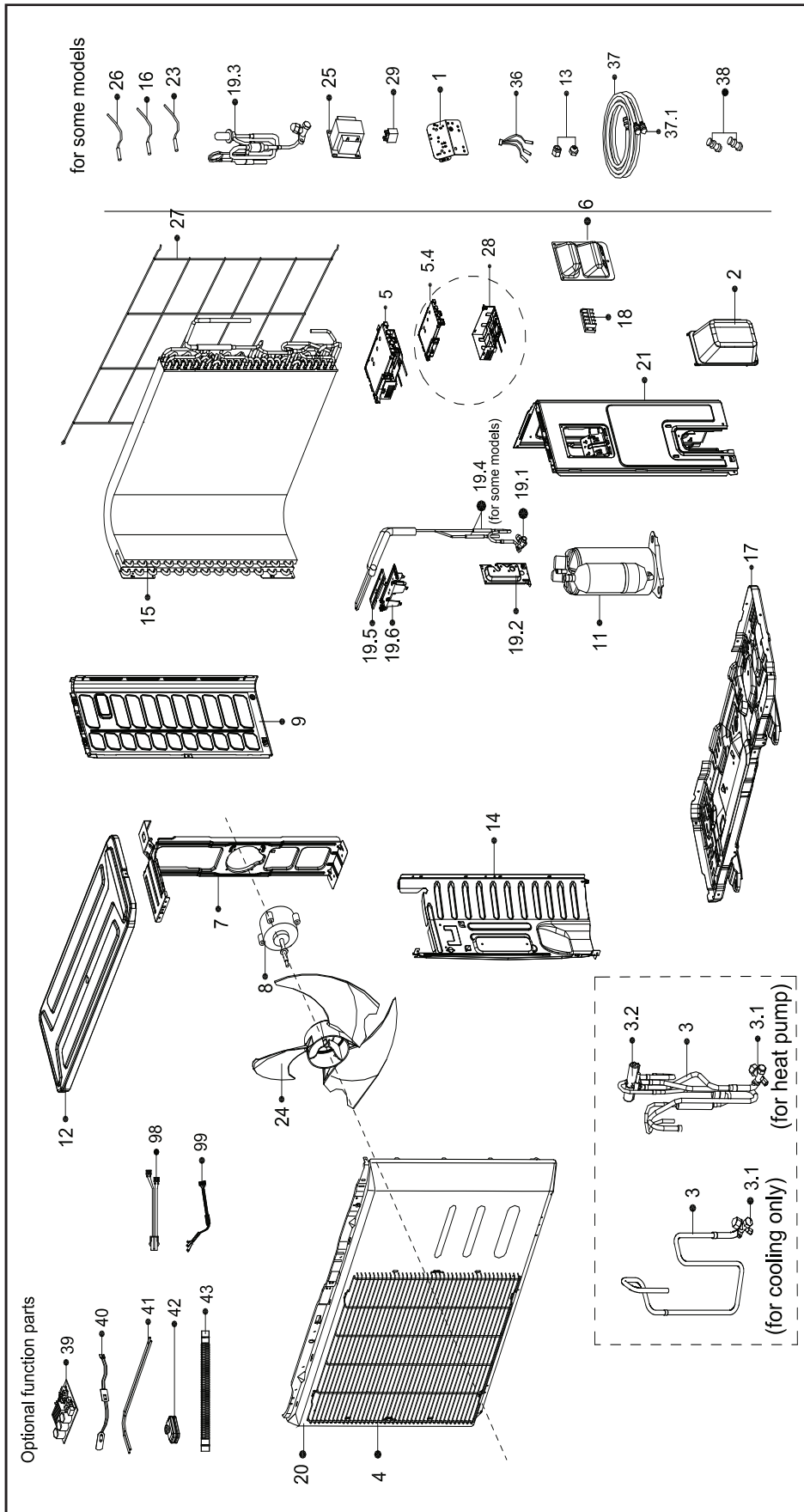
MARS®
Delivering Confidence

REPLACEMENT PARTS LIST

Single Zone Ductless Mini-Split with Inverter Technology

A-DVH24SG-1

EXPLODED VIEW



REPLACEMENT PARTS

| Location | Part Name | Quantity | Part No. |
|----------|---------------------------------------|----------|----------------|
| 1 | Support of electronic control box | 1 | 12222000005424 |
| 2 | Water collector | 1 | 12122000007150 |
| 3 | 4-way valve assembly | 1 | 15422000016192 |
| 3.1 | Gas valve | 1.0 | 15500204000025 |
| 3.2 | 4-way Valve | 1.0 | 15500216000026 |
| 4 | Air outlet grille | 1 | 12222000011145 |
| 5 | Electronic control box subassembly | 1 | 17222000029829 |
| 5.4 | Electronic installing box | 1.0 | 12122000008999 |
| 6 | Big handle assembly | 1 | 12222000010966 |
| 7 | Supporter subassembly of fan motor | 1 | 12222000004884 |
| 8 | Brushless DC Motor | 1 | 11002015008365 |
| 9 | Left side plate assembly of cabinet | 1 | 12222000004831 |
| 11 | DC Inverter Rotary Compressor | 1 | 11103020004360 |
| 12 | Top cover assembly | 1 | 12222000004835 |
| 13 | Copper nut | 1 | 15500406000010 |
| 13 | Copper nut | 1 | 15500406000003 |
| 14 | Partition board assembly | 1 | 12222000005423 |
| 15 | Condenser assembly | 1 | 15822000008325 |
| 17 | Chassis assembly | 1 | 12222000012165 |
| 18 | Terminal | 1 | 17400401000075 |
| 19 | Liquid valve assembly | 1 | 15422000015832 |
| 19.1 | Liquid valve | 1.0 | 15500208000286 |
| 19.2 | Valve plate | 1.0 | 12222000002571 |
| 19.4 | Throttle valve | 1.0 | 15500210001209 |
| 19.4 | Throttle valve | 1.0 | 15500210001228 |
| 19.5 | Radiator | 1.0 | 11203803001176 |
| 19.6 | U-Typed Support with Copper Pipe | 1.0 | 12122000011478 |
| 20 | Front panel assembly | 1 | 12222000006304 |
| 21 | Right side plate | 1 | 12222000004830 |
| 24 | Axial flow fan | 1 | 12100105000181 |
| 27 | Rear net | 1 | 12222000004833 |
| 28 | Electronic installing box subassembly | 1 | 1222200002695 |
| 36 | Combination Sensor | 1 | 11201011000168 |
| 40 | Crankcase electric heating strip | 1 | 17402001000603 |
| 41 | Electric heating tube | 1 | 17402002000466 |
| 43 | Drain pipe | 1 | 12100509000059 |
| 99 | Compressor wire subassembly | 1 | 17401203000939 |
| 36 | Combination Sensor | 1 | 11201011000067 |
| 41 | Drain pipe | 1 | 12100509000059 |
| 99 | Compressor wire subassembly | 1 | 17401203000802 |

Due to ongoing product improvements, specifications and dimensions are subject to change and correction without notice or incurring obligations. Determining the application and suitability for use of any product is the responsibility of the installer. Additionally, the installer is responsible for verifying dimensional data on the actual product prior to beginning any installation preparations.

Incentive and rebate programs have precise requirements as to product performance and certification. All products meet applicable regulations in effect on date of manufacture; however, certifications are not necessarily granted for the life of a product. Therefore, it is the responsibility of the applicant to determine whether a specific model qualifies for these incentive/rebate programs.



1900 Wellworth Ave., Jackson, MI 49203 • Ph. 517-787-2100 • www.marsdelivers.com

