

This Owner's Manual is provided and hosted by [Appliance Factory Parts](#).



# Royal Gourmet CC1416 Owner's Manual

[Shop genuine replacement parts for Royal Gourmet  
CC1416](#)



[Find Your Royal Gourmet Grill Parts - Select From 56 Models](#)

----- Manual continues below -----



Customer Service  
1-800-618-6798

## Mini Patio Charcoal Grill CC1416

# OWNER'S MANUAL



### FOR YOUR SAFETY!

Use outdoors only! Do not use it in a building, garage or any other enclosed area. Read the instructions before assembling and using the appliance. DO NOT use the grill unless it is completely assembled and all the parts are securely fastened. This grill will become very hot, do not move it during operation. Keep children and pets away.

### CONTACT US FIRST!

This grill has been made to high quality standards. If you have any questions not addressed in this manual, or if you need parts, please call our customer service department, or send an email to [service@royalgourmetusa.com](mailto:service@royalgourmetusa.com).

Learn more at:

[www.grillshouse.com](http://www.grillshouse.com)



## Contents

<b>Before using the device</b> .....	<b>1</b>
<b>Parts list</b> .....	<b>1</b>
<b>Hardware list</b> .....	<b>2</b>
<b>Intended use</b> .....	<b>2</b>
<b>For your safety</b> .....	<b>2-3</b>
Signal symbols.....	2
General Safety Instructions .....	2
Safety instructions .....	2-3
<b>Assembly</b> .....	<b>3-6</b>
Preparation .....	3
Required tools.....	3
Assembling the BBQ.....	3-6
<b>Setting up the BBQ</b> .....	<b>6</b>
<b>Before grilling</b> .....	<b>7</b>
<b>Operation</b> .....	<b>7</b>
<b>Maintenance and Cleaning</b> .....	<b>7</b>
<b>Warranty</b> .....	<b>7</b>
<b>Customer Service</b> .....	<b>7</b>

## Before using the device

After unpacking and before every use, check whether the item shows any signs of damage.

Should this be the case, do not use the item, but call customer service 1-800-618-6798.




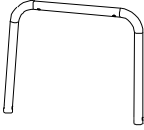

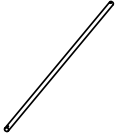

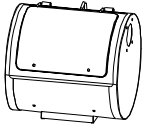


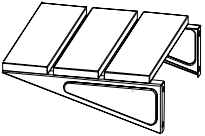
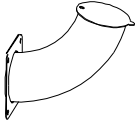
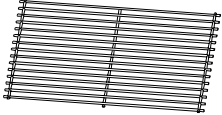
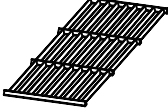

The operating manual is based on the norms and regulations that are applicable in the America countries. In any other countries, observe country-specific directives and laws!




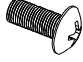






Before start-up, first read through the safety information and the operating manual carefully. Only then can you use all functions safely and reliably.

Keep the operating instructions and give them to any third party who might own the BBQ after you.

## Parts list

<p>① Bottom shelf 1pc</p> 	<p>② Left leg 2pcs</p> 	<p>③ Right leg 2pcs</p> 	<p>④ Leg connector 2pcs</p> 	<p>⑤ Cart brace 2pcs</p> 
<p>⑥ Axle 1pc</p> 	<p>⑦ Wheel 2pcs</p> 	<p>⑧ Main body 1pc</p> 	<p>⑨ Handle 1pc</p> 	<p>⑩ Air vent 1pc</p> 
<p>⑪ Side shelf 1pc</p> 	<p>⑫ Stack 1pc</p> 	<p>⑬ Charcoal grate 1pc</p> 	<p>⑭ Cooking grate 2pcs</p> 	<p>⑮ Grease cup 1pc</p> 

## Hardware list

		A Bolt M6x35	12pcs
		B Bolt M6x12	11pcs
		C Split pin	2pcs
		E NUT M6	19pcs
		H Washer	2pcs

Please check that the delivery is complete and undamaged. Should a part be missing or defective, please contact our customer service 1-800-618-6798 or send an email to [service@royalgourmetusa.com](mailto:service@royalgourmetusa.com).

## Intended use

Use this BBQ to heat, cook and grill food.

This BBQ is intended exclusively for outdoor use and not for use indoors.

Only use the item as described in this operating manual. All other uses are considered improper and can lead to material damage or even to personal injuries.

The manufacturer accepts no liability for damages caused by improper use.

## For your safety

### Signal symbols

#### **Danger High risk!**



Failure to heed the warning can lead to injuries, with potentially fatal consequences.

#### **Attention Moderate risk!**



Failure to heed the warning can cause material damage.

#### **Caution Low risk!**



Facts that should be respected when handling the device.

## GENERAL SAFETY INSTRUCTIONS

### - to be observed in each use

- Do not use indoors!
- **WARNING! Do not use spirit or petrol for lighting or relighting!**
- **WARNING! This appliance will become very hot, do not move it during operation!**
- **WARNING! Keep children and pets away!**

## Safety instructions

#### **Danger Fire hazard!**



Live coals and BBQ components get very hot during operation and can start fires.

- It is essential that you have a fire extinguisher and first-aid kit ready and be prepared for an accident or fire.
- Place the BBQ on an even, horizontal, secure, heat-resistant and clean surface.
- Set up the BBQ with at least 1m clearance to highly flammable materials such as awnings, wooden patios or furniture.
- Do not move the BBQ during use.
- Ignite the charcoal only at a sheltered location.
- Fill the BBQ with a max. 1.0 kg of charcoal.
- Some foods produce flammable fats and juices. Clean the BBQ regularly, preferably after each use.
- Only tip out the ash once the charcoal has completely burned out and cooled down.

#### **Danger Risk of burning and accidents!**



This device is not intended for use by persons (incl. children) with limited physical, sensory, or mental capacities or lacking experience and/or lacking knowledge.

- Such persons must be informed about the dangers of the device and supervised by a person responsible for their safety.
- Any modifications to the product represent a large safety risk and are forbidden. Do not undertake any unauthorised interventions yourself.

In case of damages, repairs or other problems with the BBQ, contact our customer service 1-800-618-6798 or send an email to [service@royalgourmetusa.com](mailto:service@royalgourmetusa.com).

- Keep children and pets away from the device.

The BBQ, the charcoal, and the BBQ meat become very hot during use. Any contact can result in serious burns.

- Keep sufficient distance from the hot parts, since any contact can lead to severe burns.
- Always wear oven or BBQ gloves when grilling.
- Use only long-handled utensils with heat-resistant grips.
- Do not wear any clothing with wide sleeves.
- Use only dry lighters or special fluid lighters.
- Let the BBQ cool down completely before cleaning and/or storage.

**Danger Risk of deflagration!**



Flammable liquids that are poured on the embers cause flash flames or deflagrations.

- Never use flammable liquids such as petrol or sprits.
- Nor put pieces of charcoal soaked in flammable liquid onto the embers.

**Danger Risk of poisoning!**



When burning charcoal, barbecue briquettes, etc., carbon monoxide is formed. This gas is odourless and can be fatal in closed spaces!

- Use the BBQ outdoors only!

**Danger Health risk!**



Do not use any decolourants or thinners to remove stains. These are harmful to health and must not come into contact with food.

**Danger Risks to children!**



While playing, children can become caught in the packaging film and choke.

- Do not let children play with the packaging films.
- Make sure that children do not put any small assembly parts into their mouths. They could swallow the parts and choke on them.

**Danger Risk of injury**



Both the BBQ and individual parts have some sharp edges.

- Be careful with individual parts to prevent accidents and/or injury during assembly and use. Wear protective gloves if necessary.
- Do not set up the BBQ near entryways or heavily trafficked zones.
- Always exercise extreme caution while grilling. If distracted, you can lose control of the device.
- Always be attentive and aware of what you are doing. Do not use this product if you are unfocussed or tired, or if you are under the influence of drugs, alcohol, or medications. Just one moment of carelessness during use of the product can lead to serious injuries.

**Attention Risk of damage!**



During use, the screws can loosen slowly and impair the BBQ's stability.

- Check the stability of the screws prior to each use. If necessary, tighten all of the screws again to ensure the BBQ is standing securely.

**Attention Risk of damage!**



Do not use any strong or grinding solvents or abrasive pads, since these can attack the surfaces and leave behind scrape marks.

## Assembly Preparation

**Danger Risk of deflagration!**



Failure to follow these instructions can lead to problems and risks while using the BBQ.

- Follow all of the assembly instructions listed here.

1. First read through the assembly instructions completely.
2. Allow yourself enough time for assembly and find an even working space of two to three square meters.
3. Small parts such as handles will probably be preassembled.

### Required tools (Not included)

- 1 x Phillips screwdriver



- 1 x Wrench



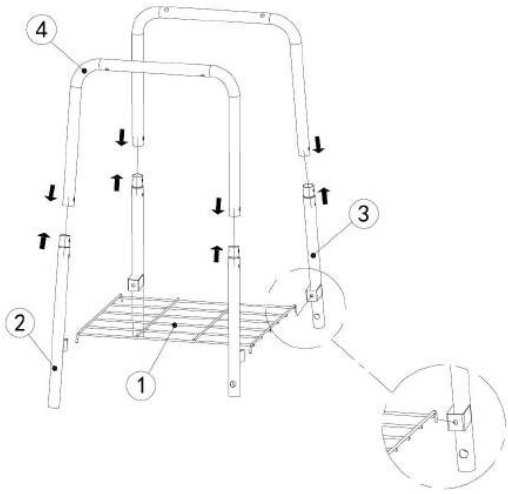
### Assembling the BBQ

#### Unpack BBQ

Unpack the BBQ and dispose of all packaging materials. Keep the packaging materials out of the reach of children and dispose of them according to regulations after BBQ assembly.

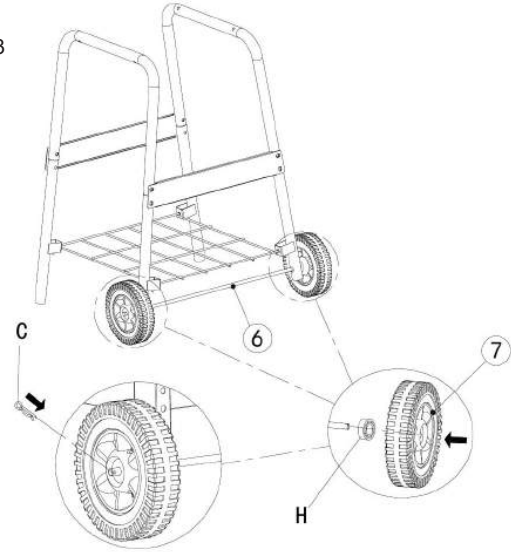
Take the following steps to assemble the BBQ.

Step 1



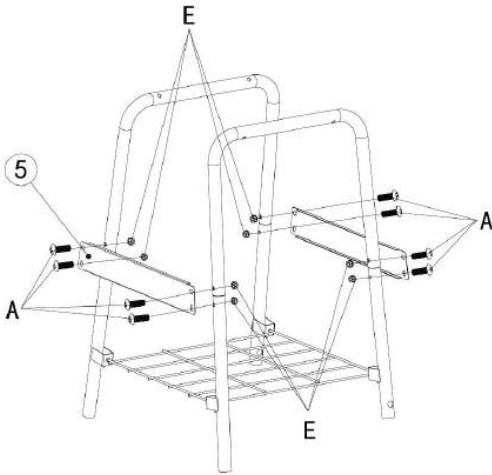
Connect the right legs (3) , left legs (2) and leg connectors(4) together.  
Assemble the bottom shelf (1) to the legs as shown .

Step 3



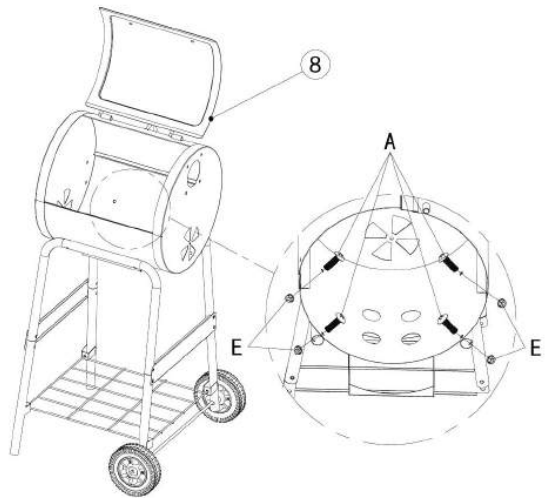
Slide axle (6) through the right legs.  
Attach the wheel (7) on the axle from both sides.  
Secure each wheel with a split pin (C).

Step 2



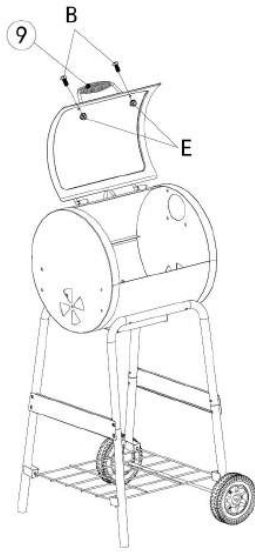
Assemble the cart braces (5) to the legs with 8 bolts (A), and 8 nuts (E).  
At this point, the bolts only need hand tightened.

Step 4



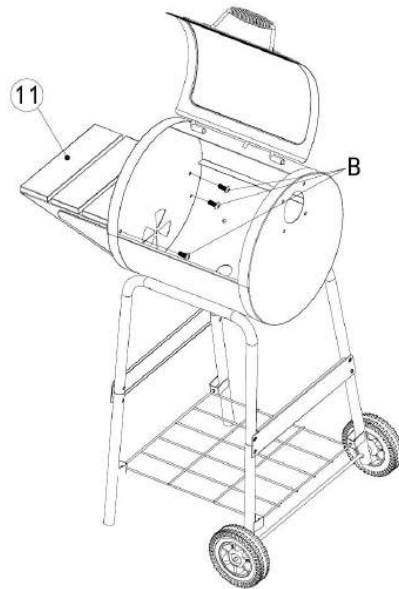
Fasten the main body (8) to the legs with 4 bolts (A) and 4 nuts (E).  
Now, tighten all the bolts.

Step 5



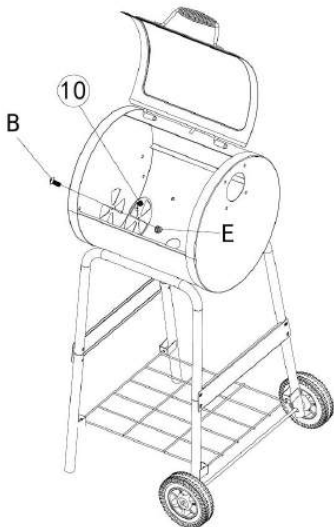
Fasten the handle (9) to the lid with 2 bolts (B) and 2 nuts (E).

Step 7



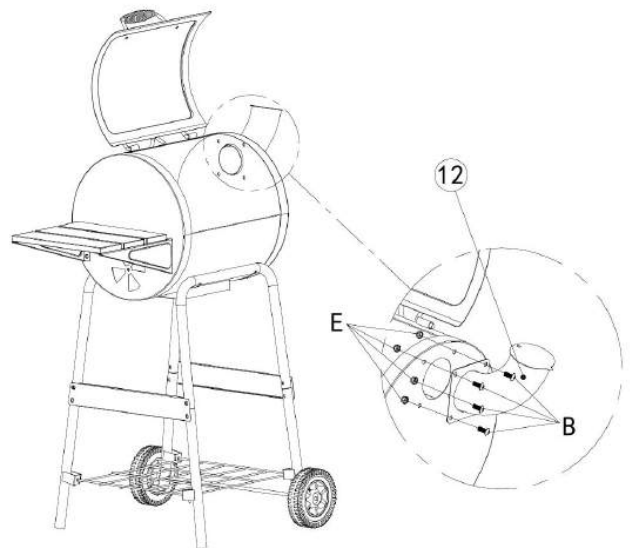
Assemble the side shelf (11) to the main body with 4 bolts (B).

Step 6



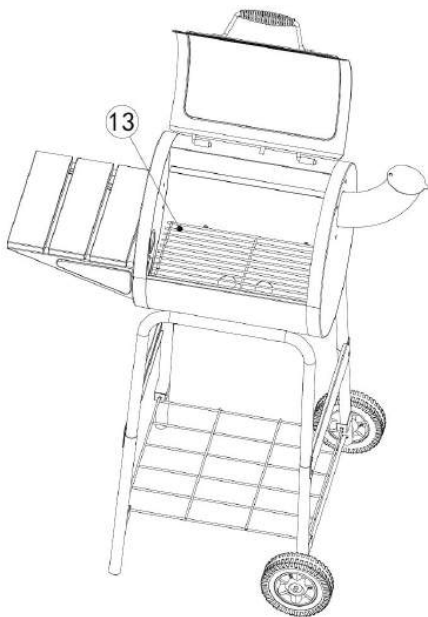
Assemble the air vent (10) to the main body with 1 bolt (B) and 1 nut (E).

Step 8



Fasten the stack (12) onto the lid with 4 bolts(B) and 4 nuts (E).

Step 9



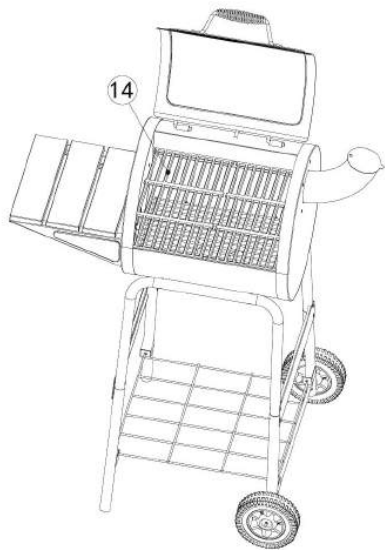
Place the charcoal grate (13) into the main body.

Step 11



Slide the grease cup (15) underneath the main body.

Step 10



Place the cooking grates (14) into the main body.

## Setting up the BBQ

### **Attention Risk of damage!**



During use, the screws can loosen slowly and impair the BBQ's stability.

- Check the stability of the screws prior to each use. If necessary, tighten all of the screws again to ensure the BBQ is standing securely.
- Before use, place the BBQ on an even, sturdy surface outdoors.

## Before grilling

- Prior to first use, wash the BBQ grate and the warming grille with warm soapy water.

- **Pre-firing**

Before you use the BBQ for the first time, it needs to be conditioned (pre-fired) for at least 1-2 hours at a temperature of 100° - 200°C.

This is necessary in order to make the inside ready for barbecuing and to burn in the heat-resistant paint on the outside. During pre-firing, the cover should not be closed completely. Only close the cover completely for a few minutes at the end.

Attention: The temperature must never exceed 260°C.

- Use a wet sponge to remove loose residue from the BBQ.
- Use a soft, clean cloth for drying. Do not scratch the surfaces when wiping them dry.
- Clean the internal and external surfaces generally with warm soapy water.
- Tighten all screws before every use to guarantee stable footing for your BBQ at all times.
- Protect your BBQ against continuous weather influences. Since it is manufactured from steel it will eventually rust. Clean possible rust spots and repair them with fireproof paint. It is important that you remove the ash from the firebox before moisture combines with the cold ash, since this leads to rust damage.
- **IMPORTANT:** The BBQ should always be stored somewhere where it is protected from moisture.

## Operation

### **Danger Risk of burning!**



The BBQ, the charcoal and BBQ meat become very hot during use. Any contact can result in serious burns.

- Keep sufficient distance from the hot parts, since any contact can lead to severe burns.
- Always wear oven or BBQ gloves when grilling.
- Use only long-handled utensils with heat-resistant grips.
- Do not wear any clothing with wide sleeves.
- Use only dry lighters or special fluid lighters.

## Maintenance and Cleaning

Your BBQ is made of high-quality materials. To clean and maintain the surfaces, please heed the following instructions:

### **Danger Risk of burning!**



Let the BBQ cool down completely before cleaning it.

- Only tip out the ash when the fuel has completely burned out.

### **Danger Health risk!**



Do not use any decolourants or thinners to remove stains. These are harmful to health and must not come into contact with food.

### **Attention Risk of damage!**



Do not use any strong or grinding solvents or abrasive pads, since these can attack the surfaces and leave behind scrape marks.

- Let the fuel burn out completely after grilling. This eases the cleaning effort by burning away excess fat and BBQ residues.
- Clean the BBQ regularly, at best after every use.
- Remove the BBQ grate and clean it thoroughly with soapy water. Then dry it off thoroughly.

## Warranty

You have purchased a high-quality BBQ. Royal Gourmet Corp. provides a warranty for its products within the framework of its warranty conditions under normal, recreational and non-commercial use of 12 months from the date of purchase for all components covering defects and manufacturing errors.

The warranty excludes all parts subject to wear and tear such as cooking grates, charcoal pan or burners as well as imperfections and differences in colour of the enamel coating and paint delamination caused by burnt grease, slight corrosions such as rust bloom. All other costs incurred, such as required working time, shipping, freight and packaging shall be borne by the buyer in the case of a warranty claim.

The distributor reserves the right to bear any incurred costs or to charge the buyer.

This warranty does not include malfunction or user difficulties resulting from wilful damage, misuse, modification, incorrect use, careless use, wear and tear, improper assembly or poor maintenance.

## Service

Thanks for purchasing this Royal Gourmet® charcoal grill.

We are here to help you maximize your enjoyment and appreciation of your new grill. Please don't hesitate to contact us should you have any questions regarding assembly, performance, warranty, or accessories.

We will be happy to order any replacement parts needed.

Please have your model number ready when you contact us.

We are here to serve you!

If you need assistance: **Call 1-800-618-6798**

Standard Time: 8:00 am to 5:30 pm Monday thru Friday