

This Owner's Manual is provided and hosted by [Appliance Factory Parts](#).



LENNOX HEARTH RHAP54N Owner's Manual

[Shop genuine replacement parts for LENNOX HEARTH
RHAP54N](#)



[Find Your LENNOX HEARTH Fireplace Parts - Select From 237 Models](#)

----- Manual continues below -----



P/N 506023-14 Rev. C 09/2012

This manual is one of a set of two supporting this product. Refer to P/N 506025-06 for Care and Operation Instructions.

Ce manuel est disponible en français, simplement en faire la demande. Numéro de la pièce 506223-34.

INSTALLATION INSTRUCTIONS

Rhapsody™ Linear Direct-Vent Gas Fireplace



MODELS

RHAP42N

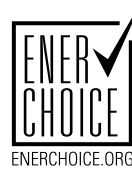
RHAP54N

infiniflame™

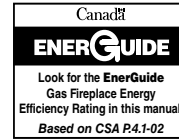


Intertek

Intertek Report No. 100404899PRT-001



ENERCHOICE.ORG



Look for the EnerGuide Gas Fireplace Energy Efficiency Rating in this manual. Based on CSA P4.1-02



INSTALLER: Leave this manual with the appliance.
CONSUMER: Retain this manual for future reference.
INSTALLATEUR : Laissez cette notice avec l'appareil.
CONSOMMATEUR : Conservez cette notice pour consultation ultérieure.

Please read and understand these instructions before starting installation.

This appliance may be installed in an aftermarket permanently located, manufactured home (USA only) or mobile home, where not prohibited by local codes.

This appliance is only for use with the type of gas indicated on the rating plate. This appliance is not convertible for use with other gases, unless a certified kit is used.

! WARNING / AVERTISSEMENT / AVISO

HOT GLASS WILL CAUSE BURNS. DO NOT TOUCH GLASS UNTIL COOLED NEVER ALLOW CHILDREN TO TOUCH GLASS.



UNE SURFACE VITRÉE CHAUDE PEUT CAUSER DES BRÛLURES. LAISSER REFROIDIR LA SURFACE VITRÉE AVANT D'Y TOUCHER. NE PERMETTEZ JAMAIS À UN ENFANT DE TOUCHER LA SURFACE VITRÉE.

EL VIDRIO CALIENTE CAUSARÁ QUEMADURAS. USTED DEBE NUNCA TOCAR EL VIDRIO CALIENTE. LOS NIÑOS DEBEN NUNCA TOCAR EL VIDRIO.

WARNING: If the information in these instructions is not followed exactly, a fire or explosion may result, causing property damage, personal injury, or death.

- Do not store or use gasoline or other flammable vapors and liquids in the vicinity of this or any other appliance.
- **WHAT TO DO IF YOU SMELL GAS:**
 - Do not try to light any appliance.
 - Do not touch any electrical switch; do not use any phone in your building.
 - Immediately call your gas supplier from a neighbor's phone. Follow the gas supplier's instructions.
 - If you cannot reach your gas supplier, call the fire department.
- Installation and service must be performed by a qualified installer, service agency or the gas supplier.

AVERTISSEMENT : Assurez-vous de bien suivre les instructions données dans cette notice pour réduire au minimum le risque d'incendie ou d'explosion ou pour éviter tout dommage matériel, toute blessure ou la mort.

- Ne pas entreposer ni utiliser d'essence ni d'autres vapeurs ou liquides inflammables dans le voisinage de cet appareil ou de tout autre appareil.
- **QUE FAIRE SI VOUS SENTEZ UNE ODEUR DE GAZ :**
 - Ne pas tenter d'allumer d'appareil.
 - Ne touchez à aucun interrupteur. Ne pas vous servir des téléphones se trouvant dans le bâtiment où vous trouvez.
 - Appelez immédiatement votre fournisseur de gaz depuis un voisin. Suivez les instructions du fournisseur.
 - Si vous ne pouvez rejoindre le fournisseur de gaz, appelez le service des incendies.
- L'installation et l'entretien doivent être assurés par un installateur ou un service d'entretien qualifié ou par le fournisseur de gaz.

TABLE OF CONTENTS

PACKAGING:

Items Packaged with the Fireplace	2
Required Accessories	2
Optional Accessories	2

IMPORTANT WARNINGS/NOTICES

GENERAL INFORMATION:

Introduction	4
Efficiencies	4
Listing Information	4
Codes	4
Manufactured Home Requirements	4
Requirements for Commonwealth of Massachusetts	4
Cold Climate Insulation Requirements	4

TYPICAL INSTALLATION SEQUENCE/CHECKLIST

Sequence/Checklist	5
--------------------	---

PRE-INSTALLATION STEPS

Pre-Installation Steps	5
------------------------	---

CLEARANCES

Minimum Clearances to Combustibles	6
Recessed Shelf	6
Hearth Extension	6
Mantels	6
Unprotected Side Wall	6
Finish/Surround (<i>the provided Fiber Board MUST be installed</i>)	6

LOCATION AND FRAMING:

Location	7
Framing the Fireplace	7
Typical Locations/Installation	7
Assembling the Top Spacers	7
Fireplace Dimensions	8
Fireplace Framing Dimensions	8
Unit Nailing Flanges	9
Ceiling Opening Framing	9
Roof Opening Framing	9
Exterior Wall Opening Framing	9

GAS REQUIREMENTS AND CONNECTION:

General Gas Information and Important Notices	10
Gas Supply Pressure Requirements	10
Input Rates	10
Gas Valve and Test Port Information	10
Burner Orifice Sizes	11
CPI/IPI Switch (Intermittent/Standing Pilot Modes)	11
Gas Flex-line	11
Gas-line Shutoff Valve	11
Routing the Gas-line	12
Control Compartment Access	12
Connecting to the Gas Supply	12
Testing Connections (Factory and Field) for Gas Leaks	12

VENTING INSTALLATION:

General Information/Important Notices	13
Approved Vent Components	13
Attaching Secure Vent® Components	13

Firestop/Spacer Requirements (Vertical and Horizontal)	13
Vent Section Lengths (Nominal/Net)	14
Telescopic Vent Section	14
Elbows	14
Vent Run Support Requirements	15
Vent Restrictor Requirements, Assembly Settings, and Application	16
Using Secure Flex® Kits/Components	17

VERTICAL TERMINATION SYSTEMS:

Typical Vertical Termination Systems	18
Vertical Termination System Rise-to-Run Ratios	18
Vertical Vent Termination Clearances	19
Installing Vertical Vent Termination	19

HORIZONTAL TERMINATION SYSTEMS:

Typical Horizontal Termination Systems	20
Horizontal Termination System Rise-to-Run Ratios	20
Horizontal Vent Termination Clearances	21
Exterior Horizontal Vent Termination Clearance Requirements (ANSI/CSA)	22
Installing Horizontal Vent Termination	23

FIELD WIRING:

Field Wiring Steps	24
Wiring Diagram	24
Route Fireplace Wiring	25
Install/Wire Remote Control system	26
Install/Wire Optional Power Vent Kit	26
Install/Wire Optional Blower Kit	26
Route Wiring for Optional Panel Backlighting Kit	26

INSTALLING FIREPLACE COMPONENTS:

Install Vent Restrictor (<i>Required with certain vent runs</i>)	27 (also 16)
Install Panel Kit (required)	27
Install Panel Backlighting Kit (optional)	27
Install Floor Kit (required) and Media (required with certain Floor Kits)	27
Install Baffle (required)	27
Installation/Removal of Glass Door	28
Installation of Modesty Panel	29
Installation/Removal of Optional Bezel	29
Installation of Optional surround	29

VERIFYING FIREPLACE OPERATION:

Appliance Checkout	30
Lighting Instructions	31
Adjusting the Air Shutter	32

FINISH AND TRIM:

Wall Finish Requirements for Cleanface Finish	33-34
Wall Finish Requirements when installing optional Surround and Bezel	33-34

ATTACHING SAFETY-IN-OPERATION WARNING LABELS

Attaching Safety-in-Operation Warning Labels	35
--	----

INSTALLATION ACCESSORIES

Installation Accessories	36-37
Gas Conversion Kit	37

REPLACEMENT PARTS

Replacement Parts	38-40
-------------------	-------

PACKAGING

ITEMS PACKAGED WITH FIREPLACE

- Literature Kit (Installation Instructions [this manual], Care and Operation Instructions, Safety-in-Operation Warnings, Warranty)
- Vent restrictor assembly
- Baffle (shipped on fireplace floor)
- (3) Non-combustible fiber boards
- (3) AAA batteries
- Handheld remote control (transmitter)
- Remote control receiver (wall switch) assembly with (4) AA batteries

REQUIRED ACCESSORIES*

(Sold separately. See "Accessories" section in fireplace *Care and Operation Instructions*.)

- Panel Kit (ref. manual 506019-84)
- Floor Kit (ref. manual 506019-84)
- Media Kit (required with DESIGNER style Floor Kits only; ref. manual 506019-84)

IMPORTANT: Make sure all required accessory kits are available before installing fireplace.

*Required for complete fireplace installation. Refer to the *Rhapsody Linear Required and Optional Accessories* manual **506019-84** for installation instructions for all required accessories.

OPTIONAL ACCESSORIES

(Sold separately. See "Accessories" section in fireplace *Care and Operation Instructions*.)

- Surround Kit (ref. manual 506019-84)
- Bezel Kit (ref. manual 506019-84)
- Panel Backlighting Kit (ref. manual 506019-84)
- Blower Kit (ref. manual 750028M)
- Power Vent Kit (ref. manual 506022-01) [Requires Rhapsody Power Vent Adaptor Kit; manual 506019-82]
- Gas Conversion Kit (ref. manual 506019-90)



We recommend that our gas hearth products be installed and serviced by professionals who are certified in the U.S. by the National Fireplace Institute® (NFI) as NFI Gas Specialists.

IMPORTANT WARNINGS/NOTICES

! WARNING

Improper installation, adjustment, alteration, service or maintenance can cause injury or property damage. Refer to this manual. For assistance or additional information consult a qualified installer, service agency or the gas supplier.

! WARNING

Failure to comply with these installation instructions will result in an improperly installed and operating appliance, voiding its warranty. Any change to this appliance and/or its operating controls is dangerous.

! WARNING

Improper installation or use of this appliance can cause serious injury or death from fire, burns, explosion or carbon monoxide poisoning.

DO NOT ATTEMPT TO ALTER OR MODIFY THE CONSTRUCTION OF THE APPLIANCE OR ITS COMPONENTS. ANY MODIFICATION OR ALTERATION MAY VOID THE WARRANTY, CERTIFICATION, AND LISTINGS OF THIS UNIT.

These fireplaces are designed as supplemental heaters. Therefore, it is advisable to have an alternate primary heat source when installed in a dwelling.

These appliances must not be connected to a chimney or flue serving a separate solid fuel burning appliance.

! WARNING

Young children should be carefully supervised when they are in the same room as the appliance. Toddlers, young children and others may be susceptible to accidental contact burns. A physical barrier is recommended if there are at risk individuals in the house. To restrict access to a fireplace or stove, install an adjustable safety gate to keep toddlers, young children and other at risk individuals out of the room and away from hot surfaces.

! AVERTISSEMENT

Les jeunes enfants devraient être surveillés étroitement lorsqu'ils se trouvent dans la même pièce que l'appareil. Les tout petits, les jeunes enfants ou les adultes peuvent subir des brûlures s'ils viennent en contact avec la surface chaude. Il est recommandé d'installer une barrière physique si des personnes à risques habitent la maison. Pour empêcher l'accès à un foyer ou à un poêle, installez une barrière de sécurité; cette mesure empêchera les tout petits, les jeunes enfants et toute autre personne à risque d'avoir accès à la pièce et aux surfaces chaudes.

Children and adults should be alerted to the hazards of high surface temperature and should stay away to avoid burns or clothing ignition.

Les enfants et les adultes devraient être informés des dangers que posent les températures de surface élevées et se tenir à distance afin d'éviter des brûlures ou que leurs vêtements ne s'enflamment.

! WARNING

Clothing or other flammable material should not be placed on or near the appliance.

! AVERTISSEMENT

On ne devrait pas placer de vêtements ni d'autres matières inflammables sur l'appareil ni à proximité.

! WARNING

Any safety screen or guard removed for servicing the appliance must be replaced prior to operating the appliance.

! AVERTISSEMENT

Tout écran ou protecteur retiré pour permettre l'entretien de l'appareil doit être remis en place avant de mettre l'appareil en marche.

NOTE: Installation and repair should be done by a qualified service person. The appliance should be inspected before use and at least annually by a professional service person. More frequent cleaning may be required due to excessive lint from carpeting, bedding material, et cetera. It is imperative that control compartments, burners, and circulating air passageways of the appliance be kept clean.

Remarque : L'installation et la réparation devrait être confiées à un technicien qualifié. L'appareil devrait faire l'objet d'une inspection par un technicien professionnel avant d'être utilisé et au moins une fois l'an par la suite. Des nettoyages plus fréquents peuvent être nécessaires si les tapis, la literie, et cetera produisent une quantité importante de poussière. Il est essentiel que les compartiments abritant les commandes, les brûleurs et les conduits de circulation d'air de l'appareil soient tenus propres.

Do not use this appliance if any part has been under water. Immediately call a qualified service technician to inspect the appliance and to replace any parts of the control system and any gas control which has been under water.

Ne pas utiliser cet appareil s'il a été plongé, même partiellement, dans l'eau. Appeler un technicien qualifié pour inspecter l'appareil et remplacer toute partie du système de commande et toute commande qui a été plongée dans l'eau.

Only trim kit(s) supplied by the manufacturer shall be used in the installation of this appliance.

Seules les trousse de garniture fournies par le fabricant doivent être utilisées pour l'installation de cet appareil.

Provide adequate clearances around air openings and adequate accessibility clearance for service and proper operation. Never obstruct the front or back openings of the appliance.

GENERAL INFORMATION

INTRODUCTION

LENNOX HEARTH PRODUCTS Rhapsody™ model fireplaces are direct-vent (top vent only), sealed combustion, air-circulating gas fireplaces designed for residential, manufactured home and commercial applications.

Direct-vent appliances operate with the combustion chamber isolated from the indoor environment. All air for combustion is brought in from the outside, and exhaust gases are vented through the same direct-vent, coaxial (intake/exhaust) vent system.

These appliances are designed to operate on natural or propane gas only. The use of other fuels or fuel combinations will degrade the performance of this system, may be dangerous, and may void the warranty.

The electronic system is switchable between standing and intermittent pilot modes (*see Figure 15*).

The **Total Comfort Control™ Remote Control System** is included with all models and provides remote operation of several fireplace functions (manual adjustment of the gas valve settings is not possible). *See Page 26 for details.*

Electrical power (120V AC line voltage) is recommended to operate the fireplace; however, "AA" batteries can be used for full-time operation or as a backup in case of a power outage.

Note: Batteries will operate the gas valve OPEN/CLOSE and pilot ON/OFF functions only. Electrical power (120V AC line voltage) is required to operate the following optional components (batteries will not power any of these options):

- Blower Kit
- Power Vent System
- Panel Backlighting Kit

EFFICIENCIES

EFFICIENCIES				
Fireplace Model	Natural Gas		Propane (field-converted)	
	AFUE*	EnerGuide (P4)	AFUE*	EnerGuide (P4)
RHAP42N	67%	61%	68.5%	66%
RHAP54N	70.2%	66.9%	69.8%	71.8%

*AFUE (Annual Fuel Utilization Efficiency) is the recognized U.S. rating system for the total efficiency of heating products.

Table 1

LISTING INFORMATION

These appliances comply with National Safety Standards and are tested and listed by Intertek (Report No. 100404899PRT-001) to ANSI Z21.88 (in Canada, CSA-2.33), and CAN/CGA-2.17-M91 (CSA P4.1) in both USA and Canada, as vented gas fireplace heaters.

These appliances are listed by Intertek for installation in bedrooms, aftermarket mobile homes, and manufactured homes.

CODES

Installation must conform to local codes or, in the absence of local codes, with the *National Fuel Gas Code, ANSI Z223.1/NFPA 54, latest edition* (in Canada, the current CAN/CGA-B149.1 installation code).

The appliance, when installed, must be electrically grounded and wired in accordance with local codes, or, in the absence of local codes, with the *National Electrical Code, ANSI/NFPA 70, latest edition*, or the *Canadian Electrical Code, CSA C22.1, latest edition*.

MANUFACTURED HOME REQUIREMENTS

This appliance may be installed in an aftermarket permanently located, manufactured home and must be installed in accordance with the manufacturer's instructions.

Cet appareil peut être installé comme du matériel d'origine dans une maison préfabriquée (É.U. seulement) ou mobile et doit être installé selon les instructions du fabricant.

This appliance is only for use with the type of gas indicated on the rating plate. This appliance is not convertible for use with other gases, unless a certified kit is used.

Cet appareil doit être utilisé uniquement avec le type de gaz indiqué sur la plaque signalétique. Cet appareil ne peut être converti à d'autres gaz, sauf si une trousse de conversion est utilisée.

CAUTION: Ensure that the cross members are not cut or weakened during installation. The structural integrity of the manufactured home floor, wall, and ceiling / roof must be maintained.

CAUTION: This appliance must be grounded to the chassis of the manufactured home in accordance with local codes or in the absence of local codes, with the National Electrical Code ANSI / NFPA 70 - latest edition or the Canadian Electrical Code CSA C22.1 - latest edition.

REQUIREMENTS FOR COMMONWEALTH OF MASSACHUSETTS

These fireplaces are approved for installation in the US state of Massachusetts if the following additional requirements are met:

- Install appliance in accordance with Massachusetts Rules and Regulations 248 C.M.R.
- Installation and repair must be done by a plumber or gas fitter licensed in the Commonwealth of Massachusetts.
- The flexible gas-line connector used shall not exceed 36 inches (92 centimeters) in length.
- The individual manual shutoff must be a T-handle type valve.

Massachusetts Horizontal Vent Requirements

In the Commonwealth of Massachusetts, horizontal terminations installed less than seven (7) feet above the finished grade must comply with the following additional requirements:

- A hard-wired carbon monoxide detector with an alarm and battery backup must be installed on the floor level where the gas fireplace is installed. The carbon monoxide detector must comply with NFPA 720, be ANSI/UL 2034 listed and be ISA certified.
- A metal or plastic identification plate must be permanently mounted to the exterior of the building at a minimum height of eight (8) feet above grade and be directly in line with the horizontal termination. The sign must read, in print size no less than one-half (1/2) inch in size: GAS VENT DIRECTLY BELOW. KEEP CLEAR OF ALL OBSTRUCTIONS.

COLD CLIMATE INSULATION REQUIREMENTS

For cold climate installations:

- Use noncombustible caulk to seal all joints around the appliance and wherever cold air could enter the room.
- Caulk all gas-line holes and other openings (or stuff with unfaced fiberglass insulation).
- Caulk firestops only where pipe penetrates an outside wall, attic, or other other unconditioned space.
- If the floor is above ground level, insulate the outside chase cavity between the studs and under the floor beneath the appliance.
- If installing the fireplace on a cement slab, place a sheet of plywood or other raised platform underneath to prevent cold transfer to the fireplace and into the room.
- Drywall and tape all inside surfaces of surrounding chase for maximum air tightness.

TYPICAL INSTALLATION SEQUENCE/CHECKLIST

Note: Each installation is unique and may result in variations to the steps outlined below.

- ❑ **1. Review the following information before starting installation:**
 - ❑ Listing information / codes / Massachusetts requirements 4
 - ❑ Cold climate insulation requirements 4
 - ❑ Clearances (combustibles, mantel, recessed shelf, side wall, hearth extension, finish/surround) 6
 - ❑ Fireplace location 7
 - ❑ Typical vertical termination systems and rise-to-run ratios...18–19
 - ❑ Typical horizontal termination systems and rise-to-run ratios...20–23
 - ❑ Gas-line requirements 10–12
 - ❑ Electrical requirements and rough-in 24-25
 - ❑ Location of wall-mounted remote control system receiver 26
 - ❑ Interior wall finish requirements 33–34
- ❑ **2. Complete the pre-installation steps.** 5
- ❑ **3. Construct fireplace framing.**
 - ❑ Select fireplace location 7
 - ❑ **Assemble top spacers** 7
 - ❑ Fireplace dimensions 8
 - ❑ Framing dimensions 8
 - ❑ Ceiling opening framing 9
- ❑ **4. Place fireplace in framing.**
 - ❑ Unit nailing flanges 9
- ❑ **5. Construct framing for termination.**
 - ❑ Roof opening framing for vertical termination 9
 - ❑ Exterior wall opening framing for horizontal termination 9
- ❑ **6. Route gas-line.** 10–12
Note: Do NOT connect to gas supply until installation is complete.
- ❑ **7. Install venting.** 13–17
 - ❑ Firestop/spacer requirements 13
 - ❑ Vertical and horizontal vent support requirements 15
 - ❑ Vertical termination 18–19
 - ❑ Horizontal termination 20–23

- ❑ **8. Field wiring.**
 - ❑ Route fireplace wiring 24
 - ❑ Install and wire **Total Comfort Control™ Remote Control System** 26
 - ❑ OPTIONAL: Install and wire Power Vent Kit. *See Power Vent Kit manual 506022-01* 26
 - ❑ OPTIONAL: Install and wire Blower Kit. *See Blower Kit manual 750028M* . . . 26
 - ❑ OPTIONAL: Route wiring for Panel Backlighting Kit. (*Note: Wiring only. Lights install in later step.*)* . . . 26
- ❑ **9. Connect electricity.**
- ❑ **10. Connect to gas supply and test for leaks.** 12
- ❑ **11. Install fireplace components (in the following order)** 27–29
 - ❑ Install vent restrictor (**Required with certain vent runs**) 16
 - ❑ OPTIONAL: Install reflector from Panel Backlighting Kit.* 27
 - ❑ Install side panels.* 27
 - ❑ Install back panel.* 27
 - ❑ OPTIONAL: Install light assemblies from Panel Backlighting Kit.* 27
 - ❑ Install Floor Kit.* 27
 - ❑ Install media (required for certain style Floor Kits only).* 27
 - ❑ Install baffle 27
 - ❑ Install glass door 28
 - ❑ OPTIONAL: Install Bezel 29
- ❑ **12. Verify appliance operation.** 30
 - ❑ Lighting instructions 31
 - ❑ Air shutter adjustment 32
- ❑ **13. Finish interior wall.**
 - ❑ Insulate per cold climate insulation requirements 4
 - ❑ Wall finish requirements:
 - ❑ Wall finish requirements for Cleanface design (no Surround or Bezel) 33–34
 - ❑ Wall finish requirements when installing optional Surround and Bezel. 33–34
 - ❑ **IMPORTANT: Install the provided Non-Combustible Fiber Boards per wall finish requirements.** 33–34
 - ❑ OPTIONAL: Install Surround. 34
- ❑ **14. Attach the provided “Safety-in-Operation” Warning Labels** 35

*See *Rhapsody Required and Optional Accessories* manual **506019-84**.

NOTE: DIAGRAMS & ILLUSTRATIONS ARE NOT TO SCALE.

PRE-INSTALLATION STEPS

The appliance is shipped with all gas controls and components installed and pre-wired.

1. Remove all shipping materials.
2. Confirm receipt of required items listed under “Packaging” on **Page 2**.
3. Retrieve the (3) pieces of non-combustible fiber board from behind the fireplace, and set aside in a safe location for later installation.
4. If not already done, remove the glass door assembly (**Page 28**), and set aside in a secure location for later reinstallation.
5. Remove baffle and other items shipped inside firebox. Set aside in a secure location for later installation.
6. **IMPORTANT! Assemble top spacers before installing fireplace (Page 7).**
7. **IMPORTANT! Adjust nailing flanges, as applicable (Page 9).**

IMPORTANT!

Before installing fireplace, nailing flanges MUST be adjusted according to finish (cleanface or surround) and wall finish material thickness. This is critical to ensure proper fireplace location, especially if installing optional Surround and Bezel. See Page 9.

WARNING

Failure to position the parts in accordance with these diagrams or failure to use only parts specifically approved with this appliance may result in property damage or personal injury.

AVERTISSEMENT

Risque de dommages ou de blessures si les pièces ne sont pas installées conformément à ces schémas et ou si des pièces autres que celles spécifiquement approuvées avec cet appareil sont utilisées.

CLEARANCES

MINIMUM CLEARANCES TO COMBUSTIBLES

The appliance is approved with zero clearance to combustible materials on both sides (see **Table 2**), with the following exceptions:

- When unit is installed with one side flush with a wall, the wall on the other side of unit must not extend beyond unit front edge.
- When unit is recessed, the side walls surrounding the unit must not extend beyond unit front edge (see **Figure 3**).

MINIMUM CLEARANCES TO COMBUSTIBLES ①	
Back	1/2" (12.7 mm) to unit 0" (0 mm) to spacers
Sides	1/2" (12.7 mm) to unit 0" (0 mm) to spacers ②
Top Spacers	0" (0 mm)
Floor	0" (0 mm)
Unit Bottom to Ceiling	65" (1651 mm)
Vent Pipe	Top: 3" (76 mm) ① Sides: 1" (25.4 mm) Bottom: 1" (25.4 mm)
SERVICE CLEARANCES	
Front	36" (152.4 mm)

① 3" (76 mm) above any horizontal/inclined vent component.
② See "Framing the Fireplace," Page 8, for clearance requirements to nailing flanges on unit sides and any adjacent screw heads.

Table 2

RECESSED SHELF

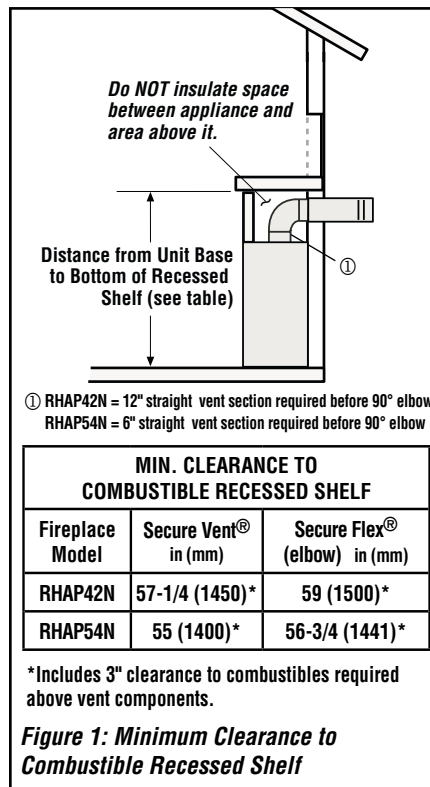
These direct-vent appliances are suitable for installations with a recessed shelf above the fireplace. See **Figure 1** for clearances from the appliance base to the underside of any combustible material used to construct such a shelf.

Note:

- Do NOT insulate the space between the appliance and the area above it.
- This is a heat-producing appliance. Objects placed above the unit are exposed to elevated temperatures.

HEARTH EXTENSION

A hearth extension is not required with this appliance. Any installed hearth extension would be for appearance only and does not have to conform to standard hearth extension installation requirements.



MANTELS

Non-Combustible Mantels

Mantels constructed of non-combustible material may be installed at any height above the appliance opening; however, do NOT allow anything to hang below the top edge of the fireplace door.

Combustible Mantels

Clearances to combustible mantels vary according to mantel depth. See **Figure 2** for details.

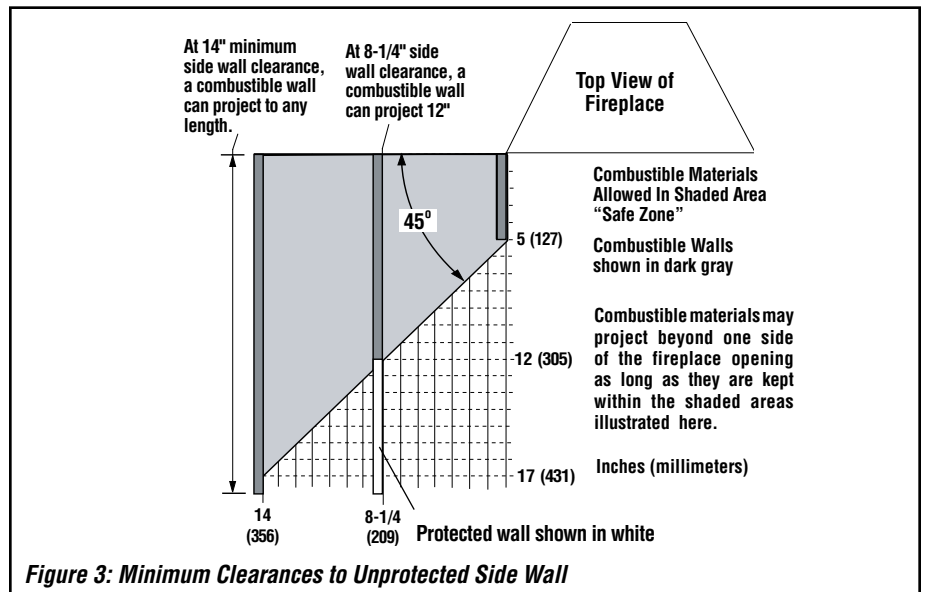
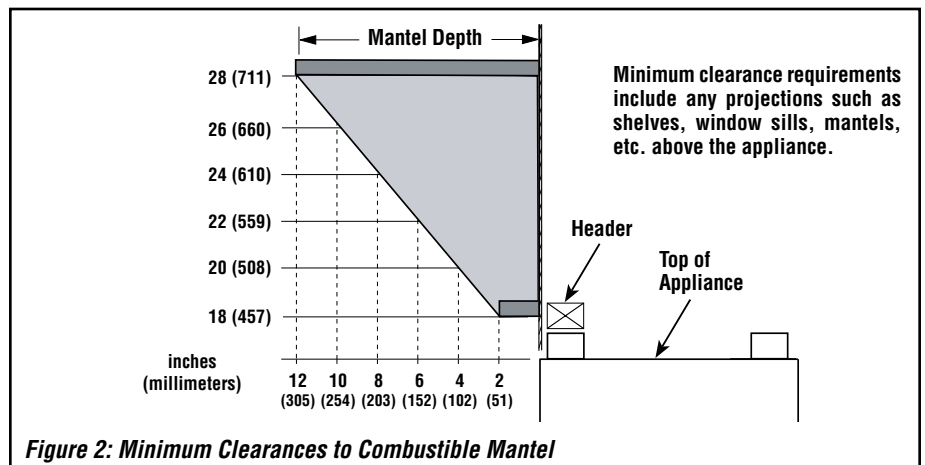
Note: Use high-temperature paint (rated 175°F or higher) on the underside of the mantel.

UNPROTECTED SIDE WALL

See **Figure 3** for minimum clearances to unprotected side walls.

FINISH/SURROUND

IMPORTANT! The factory-supplied non-combustible fiber board **MUST** be installed around the fireplace opening. See **Page 33** for details.



NOTE: DIAGRAMS & ILLUSTRATIONS ARE NOT TO SCALE.

LOCATION AND FRAMING

LOCATION

Factors to consider when selecting a location for the appliance include aesthetics, function, vent system routing, and fuel supply access.

Locate the appliance in an area free of electrical, plumbing, and HVAC ducting. See *Figure 5* for typical installation configurations.

CAUTION: Due to high temperatures, the appliance should be located out of traffic and away from furniture and draperies.

AVERTISSEMENT : En raison des températures élevées, l'appareil devrait être installé dans un endroit où il y a peu de circulation et loin du mobilier et des tentures.

The appliance may be located on or near conventional construction materials (*see Note under Step 4 on this page*).

IMPORTANT!

Before installing the fireplace, the nailing flanges **MUST** be adjusted according to finish (cleanface or surround) and wall finish material thickness. This is critical to ensure proper fireplace location, especially if installing the optional Surround and Bezel. See "UNIT NAILING FLANGES" on *Page 9*.

FRAMING THE FIREPLACE

1. Assemble the top spacers (*Figure 4*).
2. Adjust the nailing flanges, as applicable (*see Page 9*).
3. Frame the fireplace (*see Page 8*).
4. Mount the fireplace on a fully supported base extending the full width and depth of the unit.

Note: If installed on combustible materials, such as carpeting, vinyl tile or other combustible material other than wood flooring, the appliance shall be installed on a metal or wood panel extending the full width and depth of the appliance.

5. Secure the fireplace to the side framing members using the unit's nailing flanges per the instructions under "UNIT NAILING FLANGES" on *Page 9*. Use 8d nails or their equivalent.

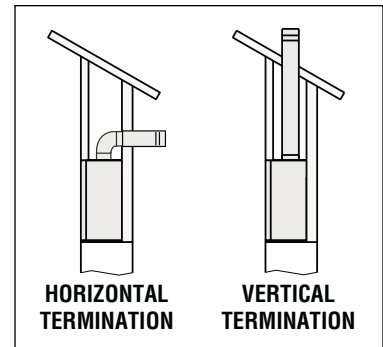
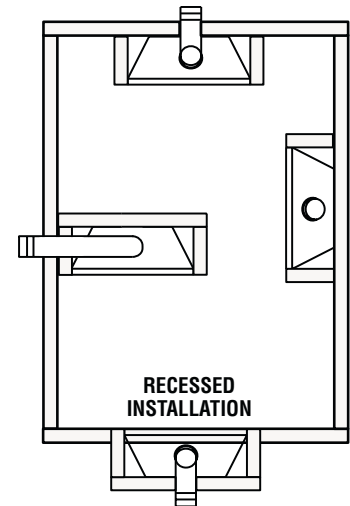
Note:

- All framing details must allow for minimum clearances to combustibles as shown in the "CLEARANCES" section (*previous page*).
- Headers may be in direct contact with the appliance top spacers when top spacers are bent up vertically (maintaining the 9-3/8" clearance to the fireplace top); however, headers must NOT be supported by top spacers or notched to fit around them.
- All construction above the appliance must be self-supporting. **Do NOT use the appliance for structural support.**

TYPICAL LOCATIONS/INSTALLATION

Note: When unit is installed with one side flush with a wall, the wall on the other side of the unit must not extend beyond the front edge of the unit.

See CLEARANCES section on the previous page.



ASSEMBLING TOP SPACERS

IMPORTANT! Assemble top spacers before installing fireplace.

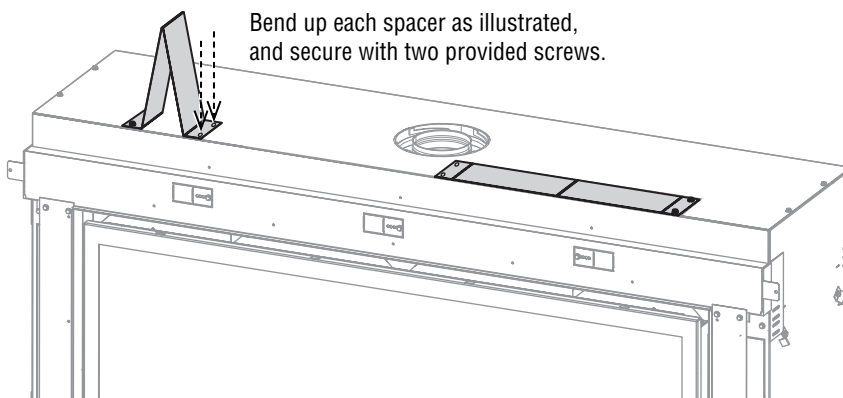


Figure 4

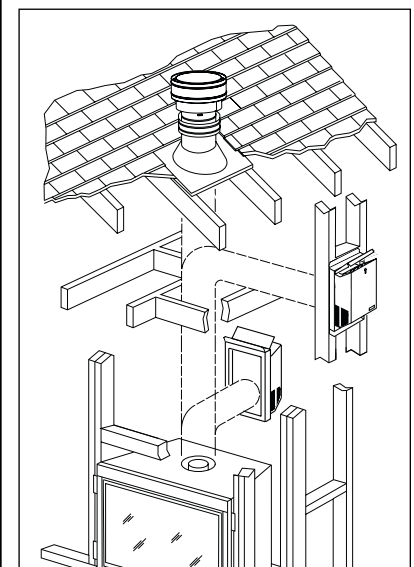


Figure 5

LOCATION AND FRAMING (CONTINUED)

FIREPLACE DIMENSIONS

Viewable Glass Size	
RHAP42N	40" Wide x 10-1/2" High
RHAP54N	51" Wide x 14-3/4" High
Vent Collar Size	
4-1/2" Inner / 7-1/2" Outer	

IMPORTANT!
 Before installing fireplace, nailing flanges **MUST** be adjusted according to finish (cleanface or surround) and wall finish material thickness. This is critical to ensure proper fireplace location, especially if installing optional Surround and Bezel. See *next page*.
 Assemble **TOP SPACERS** before installing fireplace (*Figure 4*).

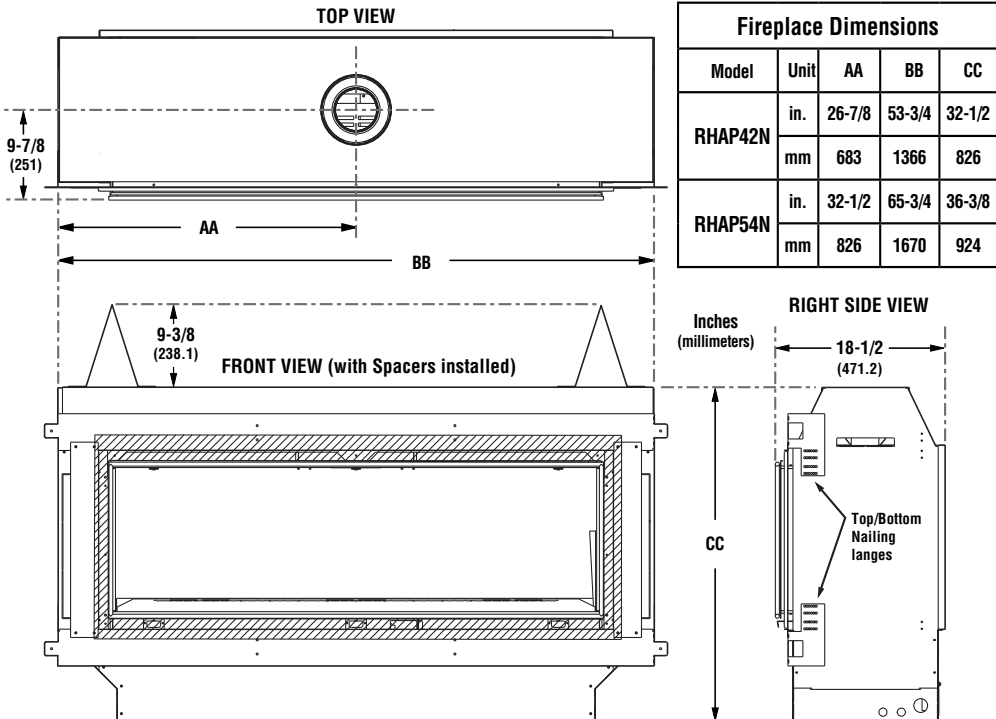


Figure 6

FRAMING DIMENSIONS

Construct framing with 2x4 or larger lumber.

Framing Dimensions					
Model	Unit	A	B	C	D
RHAP42N	in.	53-3/4	18-1/2	42	50-3/8
	mm	1366	470	1067	1280
RHAP54N	in.	65-3/4	18-1/2	46-3/4	48-1/4
	mm	1670	470	1184	1226

Note: Illustration provided for dimension information only. Fireplace must be adequately framed and supported.

- A** = Required frame opening width. (**1/2 of A** = horizontal centerline of fireplace and vent framing opening. See EXTERIOR WALL OPENING FRAMING section.)
- B** = Required frame opening depth with 1/2" (13mm) thick wall finish material. For other wall finish thicknesses, adjust frame opening depth and nailing flanges accordingly (see UNIT NAILING FLANGES section).
- C** = Min. frame opening height (from base of appliance to header).
- D** = Min. height from appliance base to vertical centerline of horizontal termination vent pipe (with 6" [RHAP54] or 12" [RHAP42] straight vent section and 90° elbow off appliance vent collar). (**Note:** The vertical centerline of the horizontal termination vent pipe is NOT the same as the vertical centerline of the vent frame opening because of firestop/spacer offset. See EXTERIOR WALL OPENING FRAMING section.)
- E** = Min. height from appliance base front to ceiling.
- F** = Mounting platform (**Note:** Mount appliance on a fully supported platform extending full width and depth of unit.)

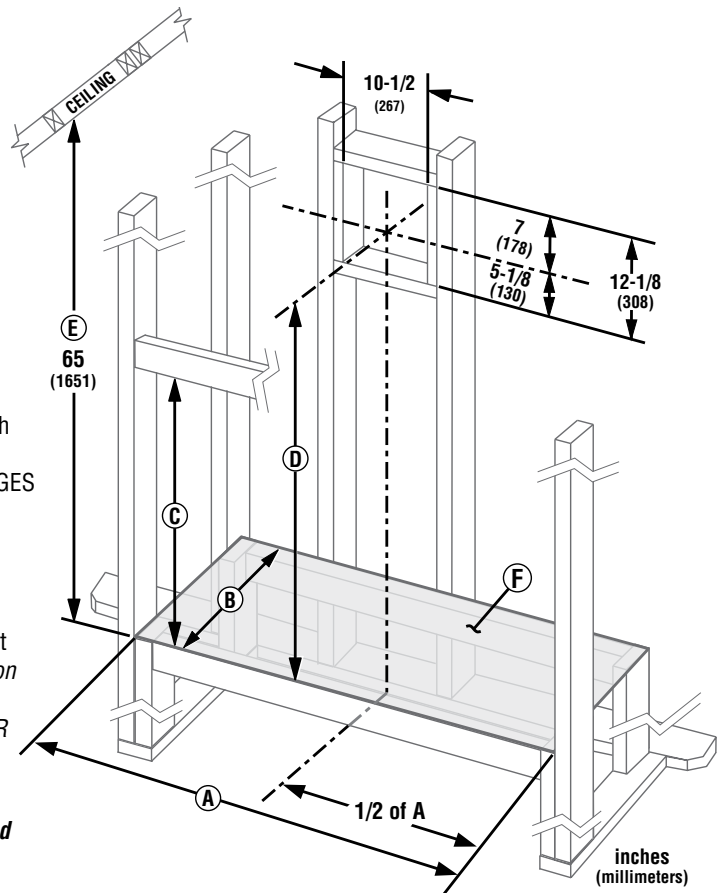


Figure 7

LOCATION AND FRAMING (CONTINUED)

UNIT NAILING FLANGES

Unit ships from factory with nailing flanges in vertical position for cleanface finish and at 1/2" wall finish depth.

Cleanface Finish Nailing Flange Settings:

1. Leave **vertical position** of nailing flanges at factory setting (see **Figure 8**, DETAIL A).
2. If wall finish material is thicker than 1/2", move nailing flanges to applicable **horizontal setting**.

Surround/Bezel Nailing Flange Settings:

1. Move **vertical position** of Top Nailing Flange UP and Bottom Nailing Flange DOWN (see **Figure 8**, DETAIL B).
2. If wall finish material is thicker than 1/2", move nailing flanges to applicable **horizontal setting**.

ADJUSTING UNIT NAILING FLANGES

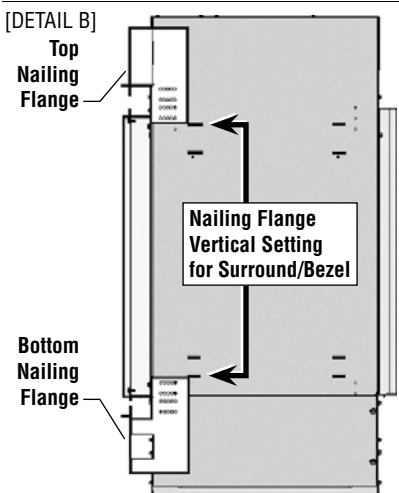
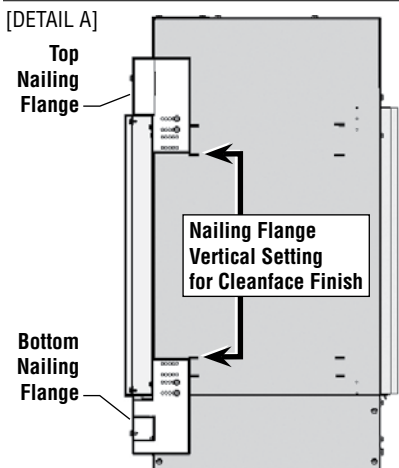
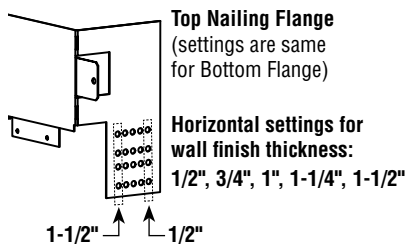
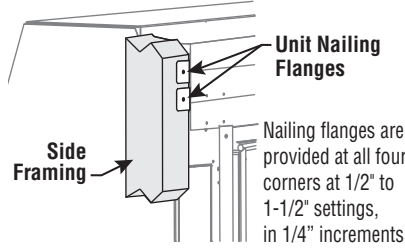


Figure 8

SECURING UNIT TO FRAMING BY NAILING FLANGES



Fireplace Left Side Front Corner Shown (Requirements are same for right side.)

Note: The nailing flanges, combustible members, and screw heads in areas directly adjacent to the nailing flanges are EXEMPT from the 1/2-inch clearance-to-combustible requirements for the firebox outer wrapper. Combustible framing may be in direct contact with the nailing flanges and may be located closer than 1/2 inch from screw heads and the firebox wrapper in areas adjacent to the nailing flanges. Frame the opening to the exact dimensions specified in the framing details.

Figure 9

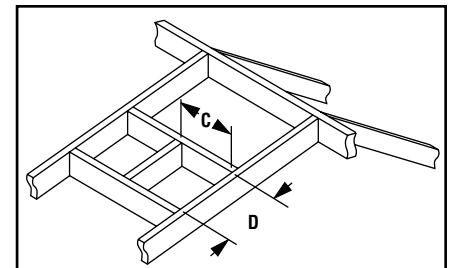
CEILING OPENING FRAMING

If the vertical vent will penetrate a ceiling, use a plumb line from the ceiling above the appliance to locate center of the vertical run. Cut and/or frame an opening about this center mark with 10-1/2" x 10-1/2" (267 mm x 267 mm) inside dimensions (**Figure 11**).

Note: Vertical Firestop/Spacer must be used anywhere vent pipe passes through a combustible floor or ceiling. Horizontal Firestop/Spacer must be used anywhere vent pipe passes through a combustible wall. See "Firestop/Spacer Requirements" on **Page 13** for details.

ROOF OPENING FRAMING [Vertical Termination]

Identify the location for the vent at the roof. Cut and/or frame the opening per **Figure 10**.



ROOF OPENING FRAMING DIMENSIONS		
Pitch	C	D
0/12	10-1/2 in. (267 mm)	10-1/2 in. (267 mm)
6/12	10-1/2 in. (267 mm)	12 in. (305 mm)
12/12	10-1/2 in. (267 mm)	17 3/4 in. (451 mm)

Figure 10: Roof Opening Framing

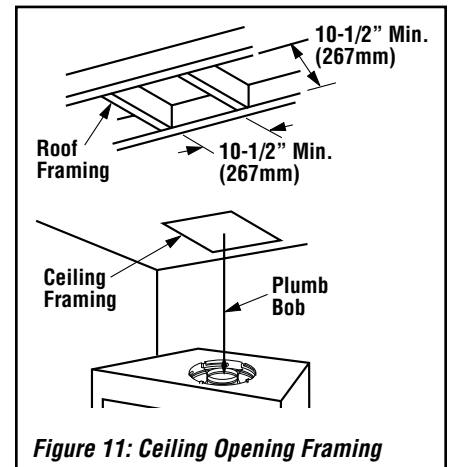


Figure 11: Ceiling Opening Framing

EXTERIOR WALL OPENING FRAMING [Horizontal Termination]

1. Locate the center of the vent outlet on the exterior wall according to the dimensions shown in **Figure 12**.
2. Cut and/or frame an opening with **inside dimensions** 10-1/2" (267 mm) wide x 12-1/8" (308 mm) high.

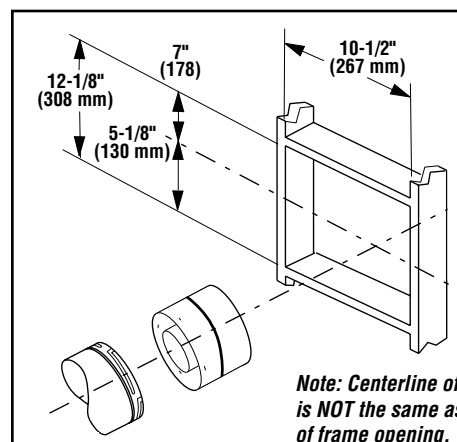


Figure 12: Exterior Wall Opening Framing

See FRAMING DIMENSIONS (previous page) for min. distance to base of appliance.

(Appliance Base)

GAS REQUIREMENTS AND CONNECTION

GENERAL GAS INFORMATION AND IMPORTANT NOTICES

- **It is critical that a licensed installer perform these steps strictly per NFPA 54.** Installing a gas supply line from the fuel supply to the appliance involves numerous considerations, including materials, protection, sizing, location, controls, pressure, sediment, and more.
- Gas-lines must be routed, constructed, and made of materials that are in strict accordance with local codes and regulations. Check with local building officials for local code requirements.
- Never use galvanized or plastic pipe.
- A sediment trap (not provided) is recommended in the gas piping within the home to prevent moisture and debris in the line from damaging the valve.
- **Where required, tightly secure all joints using appropriate pipe wrenches and sealing compounds.**
- On threaded joints, use a pipe joint compound rated for gas. **Always use propane-resistant compounds in propane applications. Make sure pipe joint compound does NOT get inside the pipe.**
- **Optional: Seal around the gas-line to prevent cold air leakage.** Gas-line holes and other openings can be caulked or stuffed with unfaced fiberglass insulation.

IMPORTANT NOTICE REGARDING PROPANE INSTALLATIONS

Propane tanks are at pressures that will cause damage to valve components. Verify that the tanks have step-down regulators to reduce pressures to safe levels.

Using a propane tank smaller than 100 lbs may create pressure loss and insufficient fuel delivery, which can cause sooting, severe delayed ignition, or other malfunctions (ref. NPFA 58).

Any damage as a result of insufficient tank size or other improper installation is NOT covered under the limited warranty.

The appliance and its appliance main gas valve must be disconnected from the gas supply piping system during any pressure testing of that system at test pressures **in excess of** 1/2 psi (3.5 kPa).

The appliance must be isolated from the gas supply piping system by closing its equipment shutoff valve during any pressure testing of the gas supply piping system at test pressures **equal to or less than** 1/2 psi (3.5 kPa).

GAS SUPPLY PRESSURE REQUIREMENTS

INLET GAS SUPPLY PRESSURE		
Fuel Type	Minimum	Maximum
Natural Gas	5.0" WC (1.24 kPa)	10.5" WC (2.61 kPa)
Propane	11.0" WC (2.74 kPa)	13.0" WC (3.23 kPa)
MANIFOLD GAS SUPPLY PRESSURE		
Fuel Type	Low	High
Natural Gas	1.6" WC (0.4 kPa)	3.5" WC (0.87 kPa)
Propane	6.3" WC (1.57 kPa)	10.0" WC (2.49 kPa)

Table 3

INPUT RATES

INPUT RATES (BTU/hr)		
Fireplace Model	Natural Gas	Propane (field-converted)
RHAP42	27,000 high 19,500 low	25,000 high 19,500 low
RHAP54	37,000 high 26,000 low	34,000 high 27,000 low

Table 4

GAS VALVE AND TEST PORT INFORMATION

The SIT Proflame gas valve in this fireplace has a 3/8" NPT thread main gas inlet and outlet (*Figure 13*).

Test gauge connections are provided on the front of the gas control valve (identified **IN** for the inlet and **OUT** for the manifold side). To access the pressure taps on the valve, remove the four (4) screws in the access plate below the burner (*see Figure 15*).

A set of external 1/8" NPT test ports is also provided just below the glass door, to the right of center (*Figure 14*). *If installed, remove the optional Bezel (Page 29) and Surround (Page 33) to access the ports.*

Note: Before accessing test ports, fireplace must be OFF and COLD. Turn OFF main gas supply before connecting to pressure taps.

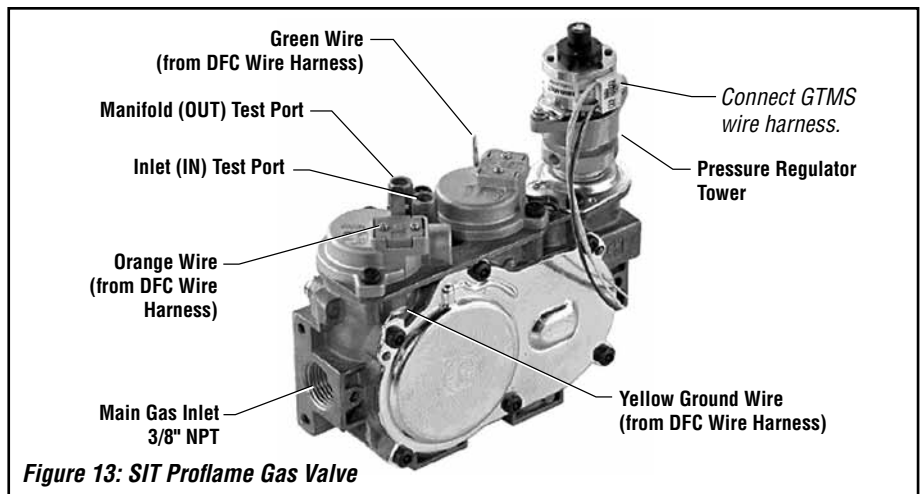


Figure 13: SIT Proflame Gas Valve

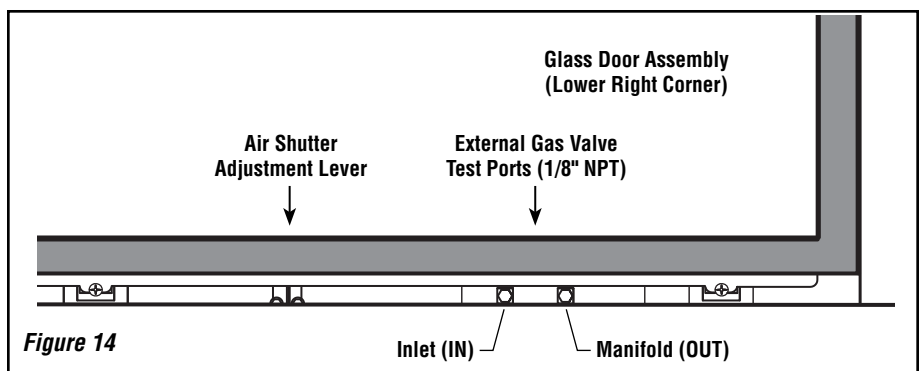


Figure 14

NOTE: DIAGRAMS & ILLUSTRATIONS ARE NOT TO SCALE.

GAS REQUIREMENTS/CONNECTION
(CONTINUED)

BURNER ORIFICE SIZES
Sea Level to High Altitude

These appliances are tested and approved for installation at elevations of 0–4500 feet (0–1372 meters) above sea level using the standard burner orifice sizes (marked with an asterisk [*] in **Table 5**). For elevations above 4500 feet, contact your gas supplier or qualified service technician.

Derating Gas Input

At higher elevations, the amount of BTU fuel value delivered must be reduced by either:

- Using gas that has been derated by the gas company; or
- Changing the burner orifice to a smaller size as regulated by the local authorities having jurisdiction or by the (USA) National Fuel Gas Code NFPA 54/ANSI Z223.1, latest edition, or, in Canada, the CAN/CGA-B149.1 codes, latest edition.

Install the appliance according to the regulations of the local authorities having jurisdiction and, in the USA, the National Fuel Gas Code NFPA 54 / ANSI Z223.1, latest edition, or, in Canada, the CAN/CGA-B149.1, latest edition.

NOTE: Flame appearance may vary at higher altitudes.

BURNER ORIFICE SIZES Elevation 0–4500 ft (0–1372 m)		
Fireplace Model	Natural Gas Drill Size (inches)	Propane Drill Size (inches)
RHAP42N	#40 (.098")*	#54 (.055")*
RHAP54N	#32 (.116")*	#51 (.067")*

*Standard size installed at factory (see "Installation Accessories" in the back of this manual for catalog numbers).
Table 5

In Canada - CAN/CGA-2.17-M91 (R2009) (high altitude):

THE CONVERSION SHALL BE CARRIED OUT BY A MANUFACTURER'S AUTHORIZED REPRESENTATIVE, IN ACCORDANCE WITH THE REQUIREMENTS OF THE MANUFACTURER, PROVINCIAL OR TERRITORIAL AUTHORITIES HAVING JURISDICTION AND IN ACCORDANCE WITH THE REQUIREMENTS OF THE CAN/CGA-B149.1 OR CAN/CGA-B149.2 INSTALLATION CODES.

CPI/IPI SWITCH (INTERMITTENT/STANDING PILOT MODES)

The electronic system is switchable between standing and intermittent pilot modes (see **Figure 15**).

GAS FLEX-LINE

The flexible gas-line connector ("flex-line") provided with the fireplace assembly (**Figure 16**) is for use in connecting the unit to the gas supply line. (See **Figure 16** for flex-line description.)

The provided flex-line is rated for use with either natural gas or propane.

Use of a flex-line connector is acceptable in the U.S.A., **where local codes permit**; however, Canadian requirements vary depending on locality.

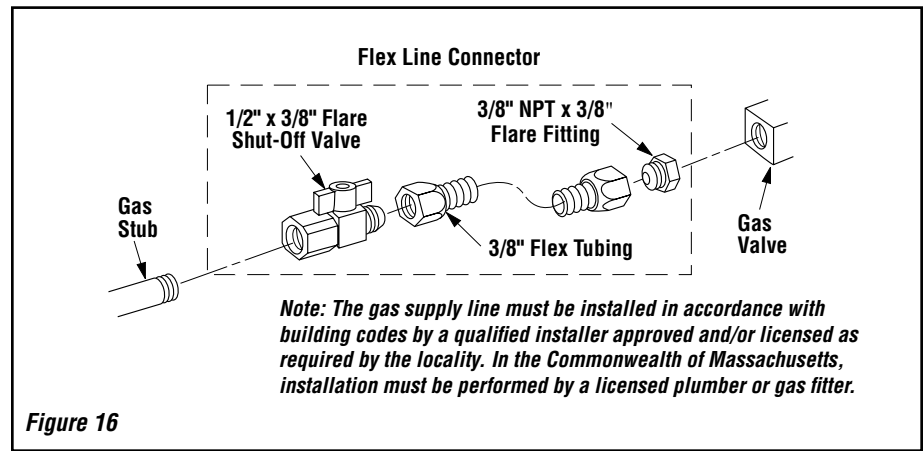
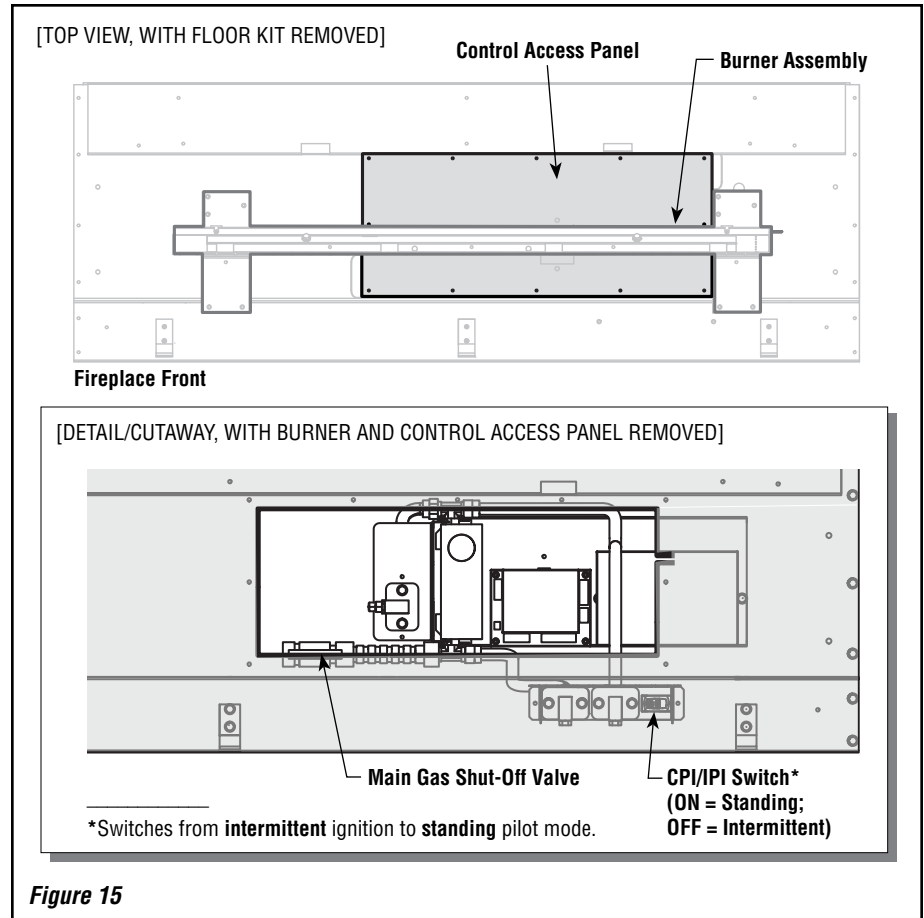
Note: Flex-line installation must be in compliance with local codes.

GAS-LINE SHUTOFF VALVE

The gas-line shutoff valve provided with the fireplace has a 1/2" NPT thread inlet port.

Building and plumbing codes require a gas-line shutoff valve mounted in the supply line.

The provided gas-line shutoff valve (located in the control compartment under the fireplace floor) is intended as a service shutoff. National and local codes may require installation of a second gas-line shutoff valve (not provided) in a readily accessible location. Consult local codes.



GAS REQUIREMENTS/CONNECTION
(CONTINUED)

ROUTING THE GAS-LINE

Route a 1/2" (13 mm) gas-line (not provided) to the appliance.

It is preferable to bring the gas-line in from the left side (as shown in **Figure 17**); however, the gas-line also may enter the fireplace from the right side or bottom.

Note: Properly size and route the gas supply line from the supply regulator to the area where the appliance is to be installed per requirements outlined in the National Fuel Gas Code, NFPA 54, latest edition (USA) or CAN/CGA-B149.1, latest edition (Canada).

For additional requirements for installations in the state of Massachusetts (USA), see the section titled "**Massachusetts Requirements**" in this manual.

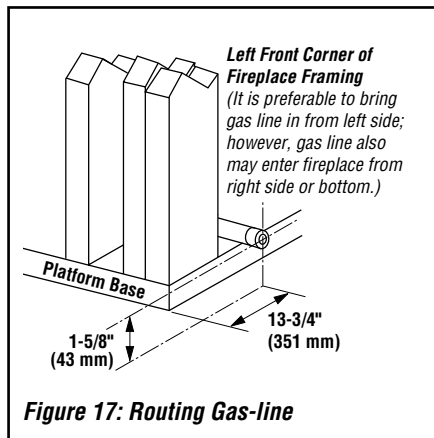


Figure 17: Routing Gas-line

Control Compartment Access

To access the control compartment, remove the following components, in this order:

1. Optional surround
2. Optional bezel
3. Glass door assembly
4. Floor kit
5. Burner assembly
6. Control compartment access panel (in firebox bottom; see **Figure 18**).

For instructions on removal/reinstallation of these components, see the **Rhapsody Required and Optional Accessories** manual 506019-84.

CONNECTING TO THE GAS SUPPLY

IMPORTANT: Do NOT connect the fireplace to the gas supply line until fireplace installation is complete.

1. Refer to **Figure 18**. Route the gas supply line into the firebox through the **gas supply line access opening** to the point it will connect to the **gas flex-line** and **gas-line shutoff valve**.
2. Unscrew the shutoff valve from the gas flex-line. Apply thread sealant appropriate for the gas type, and then connect the shutoff valve to the gas stub.
IMPORTANT: Position the shutoff valve to allow easy operation of the knob through the access opening in the fireplace floor.
3. Connect the flare fitting on the flex-line to the shutoff valve. Tighten by hand, and then use a pipe wrench to tighten completely, 1/4-turn at a time.
4. Leak-test all fittings.

TESTING CONNECTIONS (FACTORY AND FIELD) FOR GAS LEAKS

! WARNING
Never use an open flame to check for leaks.

Turn on gas supply and use a gas leak test solution (also referred to as bubble leak solution) to test all factory and field connections for gas leaks.

Note: Even though soapy water is an effective leak test solution, it is NOT recommended because soap residue can corrode pipes and fittings over time.

1. Light the appliance (refer to the lighting instructions in the *Care and Operation Instructions* or on the label attached to the door latch).
2. Brush all joints and connections with the gas leak test solution. If bubbles form or gas odor is detected, turn the receiver or remote control to the "OFF" position. Tighten or refasten the leaking connection, then retest as described above.
3. **When all gas-lines are tested and leak free, rinse off the leak test solution.**

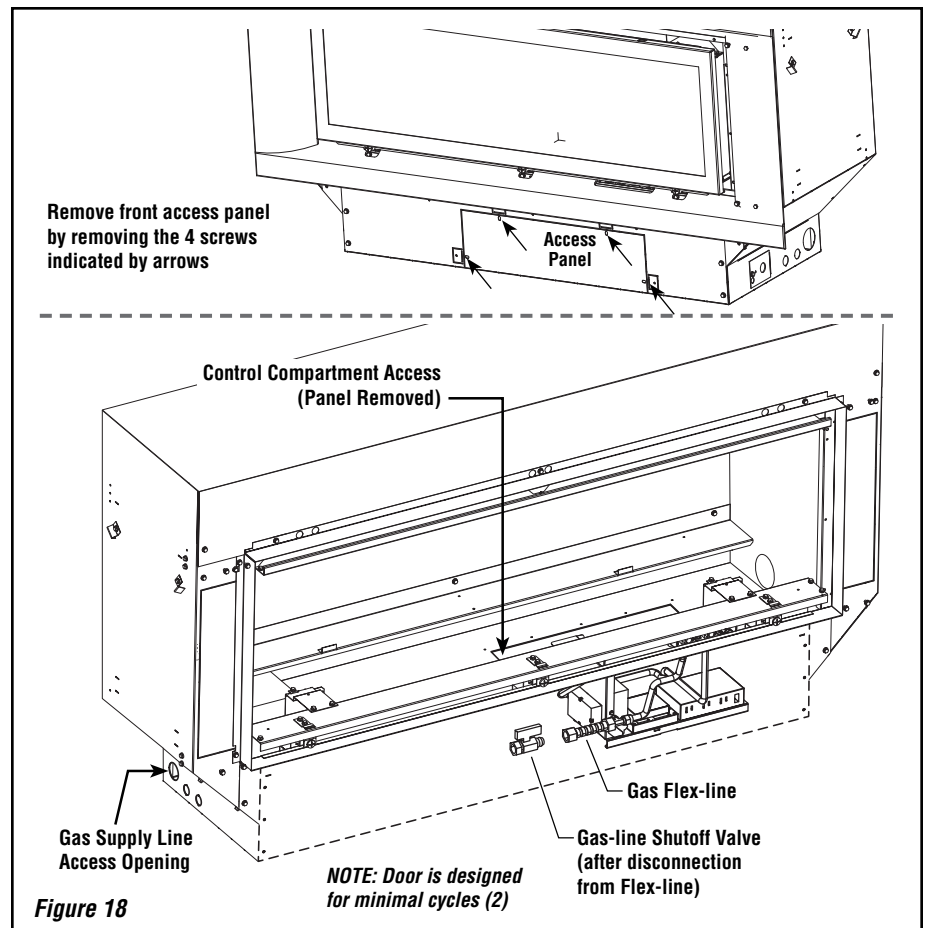


Figure 18

NOTE: Door is designed for minimal cycles (2)

NOTE: DIAGRAMS & ILLUSTRATIONS ARE NOT TO SCALE.

VENTING INSTALLATION

GENERAL VENTING INFORMATION AND IMPORTANT NOTICES

- These instructions should be used as a guideline and do not supersede local codes in any way. Install venting according to local codes, these instructions, and the current National Fuel Gas Code (ANSI-Z223.1) in the USA or the current standards of CAN/CGA-B149.1 in Canada.
- Ensure that clearances are in accordance with local installation codes and the requirements of the gas supplier.
Dégagement conforme aux codes d'installation locaux et aux exigences du fournisseur de gaz.
- Use only approved vent components. See "Approved Vent Components" (on this page), and "Installation Accessories" at the back of this manual.
- These fireplaces must be vented directly to the outside.
- The vent system may not service multiple appliances and must never be connected to a flue serving a separate solid fuel burning appliance.
- The vent pipe is tested to be run inside an enclosed wall (such as a chase). There is no requirement for inspection openings in the enclosing wall at any of the joints in the vent pipe.
- Secure Vent® components are shown in these figures; Secure Flex® pipe also may be used.

WARNING

Under no circumstances may separate sections of concentric flexible vent pipe be joined together.

Remember to maintain minimum clearances to combustibles!
See CLEARANCES section in this manual.

NOTICE: It is important to install horizontal runs on a steady, (i.e., no "dips"), slightly positive incline of approximately 1/4 inch rise-per-foot (20 millimeters rise-per-meter) horizontal, in a direction away from the fireplace. (Slightly smaller rise-per-foot run ratios are acceptable.) Use a carpenter's level to measure from a constant surface, and adjust support straps as necessary.

APPROVED VENT COMPONENTS

These appliances are designed, tested, and listed for installation and operation with the following vent components, which are labeled for identification:

- **Secure Vent** direct-vent system components by Security Chimneys International.
- **Secure Flex** flexible vent components by Security Chimneys International.
- **Z-FLEX®** model GA venting systems listed to UL1777 and ULCS635 by Flexmaster Canada Limited.

Use only the correct size venting (4-1/2" inner and 7-1/2" outer).

Do NOT use any other manufacturers' vent components with these appliances.

See "Installation Accessories" at the back of this manual for catalog numbers.

ATTACHING SECURE VENT® COMPONENTS

Secure Vent direct-vent system components are unitized concentric pipe components featuring positive twist-lock connections (see *Figure 19*).

To attach venting components:

1. Attach the dimpled end of one section to the incline channel end of the other section, making sure to align the four dimples with the inlets of the four incline channels.
2. Push the section being attached against the adjoining section until fully engaged.
3. Twist the section being attached **CLOCKWISE**, running the dimples down and along the channels until seated at the ends of the channels. **The sections are properly seated when the arrow on one section aligns with the dimple on the other section.**

The unitized design of **Secure Vent** components will engage and seal both the inner and outer pipe without the need for sealant or screws. If desired, however, a #6 x 1/2" screw may be used at each joint (not required).

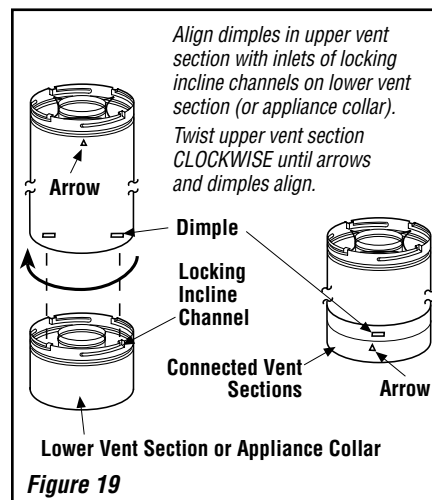


Figure 19

NOTE: DIAGRAMS & ILLUSTRATIONS ARE NOT TO SCALE.

FIRESTOP/SPACER REQUIREMENTS

Vertical Firestop/Spacer must be used anywhere vent pipe passes through a combustible floor or ceiling.

Horizontal Firestop/Spacer must be used anywhere vent pipe passes through a combustible wall.

- Use **Secure Vent** Firestop/Spacer with **Secure Vent** vent pipe.
- Use **Secure Flex** Firestop/Spacer with **Secure Flex** vent pipe.
- See "Installation Accessories" at the back of this manual for catalog numbers.

Installing Vertical (Ceiling) Firestop/Spacer

1. Install **vertical firestop/spacer** at all ceiling joists.
 - If living space is above the ceiling, install firestop/spacer on bottom side of ceiling.
 - If attic space is above the ceiling, install firestop/spacer on top side of joist.
2. Route vent sections through the framed ceiling opening (see *Page 9*), and secure firestop/spacer with 8d nails (or other appropriate fasteners) at each corner.
3. Install **attic insulation shield (REQUIRED)** to keep insulation materials from touching vent pipe.
(Attic insulation shield may be used to obtain required clearances to combustibles. See "Installation Accessories" at the back of this manual for ordering information).

Note: Caulk firestops only where pipe penetrates an outside wall, attic, or other unconditioned space.

Installing Horizontal (Exterior Wall) Firestop/Spacer

See *Figure 40*. Install **horizontal firestop/spacer** over the opening at the exterior side of the framing, long side up, with the 3-inch spacer clearance at the top, and nail into place. (The firestop/spacer also may be installed over the opening on the interior side of framing). The gap between the vent pipe and a firestop can be sealed with noncombustible caulking.

VENTING INSTALLATION
(CONTINUED)

VENT SECTION LENGTHS
(NOMINAL AND EFFECTIVE/NET)

- Plan vent lengths to prevent joints at the intersection of ceiling or roof joists.
- Vent length combinations and straight vent effective lengths are listed in **Table 6**.

TELESCOPIC VENT SECTION

A telescopic vent section may be used when installing in tight spaces or when a vent run that is made up of fixed-length sections develops a joint in a undesirable location or will not build up to the required length.

The effective length of the Telescopic Vent Section ranges from 1-1/2" (38 mm) to 7-1/2" (191 mm).

The Telescopic Vent Section is fitted with a dimpled end (identical to a normal vent section component) and a plain end with 3 pilot holes. Slip the plain end over the locking incline channel end of a standard vent component the required distance, and secure with three screws.

ELBOWS

- When planning vent runs, make allowances for elbows.
- A 90° elbow may NOT be attached directly to the appliance collar. A minimum of 6" pipe (RHAP54) or 12" (RHAP42) must be used between the fireplace collar and a 90° elbow.
- Two 45° elbows may be used in place of one 90° elbow (use the same rise-to-run ratios as shown for a 90° elbow).
- An elbow is acceptable as 1 foot of vertical rise.
- Each elbow features a 360° swivel joint (Figure 20), which allows it to be rotated around the center axis of the dimpled end, to align with the direction of the next vent run section.

Note: Rotate elbows in a CLOCKWISE direction only, to avoid unlocking the previously connected vent section.

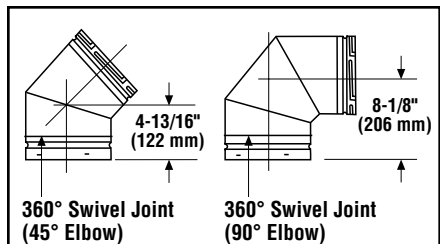


Figure 20: Elbows

VENT SECTION LENGTHS							TOTAL QTY
Nominal Section Length (inches)	6	12	24	36	48	TOTAL	
Net Section Length (inches)	4-1/2	10-1/2	22-1/2	34-1/2	46-1/2		
Height of Vent	Number of Vent Sections						
inches	ft						
4.5	0.375	1	0	0	0	0	1
9	0.75	2	0	0	0	0	2
10.5	0.875	0	1	0	0	0	1
15	1.25	1	1	0	0	0	2
22.5	1.875	0	0	1	0	0	1
31.5	2.625	0	3	0	0	0	3
34.5	2.875	0	0	0	1	0	1
37.5	3.125	1	1	1	0	0	3
43.5	3.625	0	2	1	0	0	3
45	3.75	0	0	2	0	0	2
46.5	3.875	0	0	0	0	1	1
51	4.25	1	0	0	0	1	2
55.5	4.625	0	1	2	0	0	3
57	4.75	0	0	1	1	0	2
67.5	5.625	0	0	3	0	0	3
69	5.75	0	0	0	2	0	2
73.5	6.125	1	0	0	2	0	3
79.5	6.625	0	1	0	2	0	3
81	6.75	0	0	0	1	1	2
91.5	7.625	0	0	2	0	1	3
93	7.75	0	0	0	0	2	2
97.5	8.125	1	0	0	0	2	3
103.5	8.625	0	0	0	3	0	3
108	9	1	0	0	3	0	4
117	9.75	1	0	5	0	0	6
118.5	9.875	1	1	0	3	0	5
126	10.5	0	0	1	3	0	4
130.5	10.875	1	0	1	3	0	5
135	11.25	0	0	6	0	0	6
139.5	11.625	0	0	0	0	3	3
142.5	11.875	1	0	0	4	0	5
144	12	1	0	0	0	3	4
154.5	12.875	1	1	0	0	3	5
160.5	13.375	0	2	0	0	3	5
172.5	14.375	0	0	0	5	0	5
177	14.75	1	0	0	5	0	6
186	15.5	0	0	0	0	4	4
196.5	16.375	0	1	0	0	4	5
207	17.25	0	0	0	6	0	6
211.5	17.625	1	0	0	6	0	7
217.5	18.125	0	1	0	6	0	7
229.5	19.125	0	0	1	6	0	7
232.5	19.375	0	0	0	0	5	5
241.5	20.125	0	0	0	7	0	7
246	20.5	1	0	0	7	0	8
252	21	0	1	0	7	0	8
276	23	0	0	0	8	0	8
279	23.25	0	0	0	0	6	6

METRIC CONVERSION:
Inches x 25.4 = mm.
Inches x 2.54 = cm.
Inches x 0.0254 = m.

Table 6: Straight Vent Section Lengths

VENT SECTION LENGTHS							TOTAL QTY
Nominal Section Length (inches)	6	12	24	36	48	TOTAL	
Net Section Length (inches)	4-1/2	10-1/2	22-1/2	34-1/2	46-1/2		
Height of Vent	Number of Vent Sections						
inches	ft						
280.5	23.375	1	0	0	8	0	9
289.5	24.125	0	1	0	0	6	7
301.5	25.125	0	0	1	0	6	7
310.5	25.875	0	0	0	9	0	9
325.5	27.125	0	0	0	0	7	7
330	27.5	1	0	0	0	7	8
345	28.75	0	0	0	10	0	10
349.5	29.125	1	0	0	10	0	11
372	31	0	0	0	0	8	8
379.5	31.625	0	0	0	11	0	11
418.5	34.875	0	0	0	0	9	9
465	38.75	0	0	0	0	10	10
475.5	39.625	0	1	0	0	10	11
480	40	1	1	0	0	10	11
492	41	1	0	1	0	10	12
499.5	41.625	0	0	0	1	10	11
504	42	1	0	0	1	10	12
511.5	42.625	0	0	0	0	11	11
520.5	43.375	0	2	0	1	11	14
531	44.25	0	2	2	0	11	15
538.5	44.875	1	0	0	2	11	14
549	45.75	1	0	2	1	11	15
558	46.5	0	0	0	0	12	12
562.5	46.875	1	0	0	0	12	13
568.5	47.375	0	1	0	0	12	13
573	47.75	1	1	0	0	12	14
580.5	48.375	0	0	1	0	12	13
589.5	49.125	0	1	2	2	10	15
595.5	49.625	1	1	1	0	12	15
604.5	50.375	0	0	0	0	13	13
615	51.25	0	1	0	0	13	14
625.5	52.125	0	2	0	0	13	15
631.5	52.625	1	0	1	0	13	15
637.5	53.125	0	1	1	0	13	15
651	54.25	0	0	0	0	14	14
655.5	54.625	1	0	0	0	14	15
672	56	0	2	0	0	14	16
678	56.5	1	0	1	0	14	16
688.5	57.375	1	1	1	0	14	17
697.5	58.125	0	0	0	0	15	15
702	58.5	1	0	0	0	15	16
712.5	59.375	1	1	0	0	15	17
720	60	0	0	1	0	15	16

STRAIGHT VENT SECTION EFFECTIVE (NET) LENGTHS*	
Description	Effective Length
6 in (152 mm) Vent Section	4.5 in (114 mm)
12 in (305 mm) Vent Section	10.5 in (267 mm)
24 in (610 mm) Vent Section	22.5 in (572 mm)
36 in (914 mm) Vent Section	34.5 in (876 mm)
48 in (1219 mm) Vent Section	46.5 in (1181 mm)

*See "Installation Accessories" at the back of this manual for all approved venting components.

VENTING INSTALLATION
(CONTINUED)

VENT RUN SUPPORT REQUIREMENTS

Supporting Vertical Vent Runs

Note: Proper venting support is very important. NEVER use the fireplace to support the weight of the venting.

Support the vertical portion of the venting system every 8 feet (2.4 m) above the fireplace vent outlet (see Figure 21).

Use **Support Straps** (cat. no. SV4.5SU; see "Accessory" section in this manual) or conventional plumber's tape (not provided). Secure the plumber's tape to the framing members with nails or screws. Loop the plumber's tape around the vent, securing the ends of the tape to the framing. Use #6 x 1/2" sheet metal screws to secure the support straps to the vent pipe.

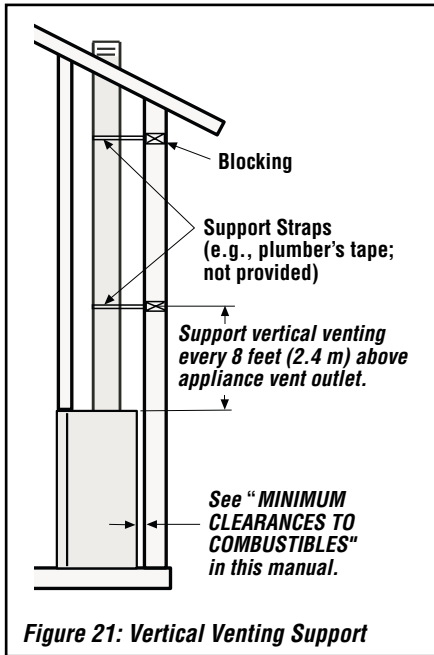


Figure 21: Vertical Venting Support

Supporting Horizontal Vent Runs

See Figure 22. Install support straps every 5 ft (1.524 m) along horizontal/inclined vent runs using **Support Straps** (cat. no. SV4.5SU; see "Accessory" section in this manual) or conventional plumber's tape (not provided).

NOTICE: It is important to install horizontal runs on a steady, (i.e., no "dips"), slightly positive incline of approximately 1/4 inch rise-per-foot (20 millimeters rise-per-meter) horizontal, in a direction away from the fireplace. (Slightly smaller rise-per-foot run ratios are acceptable.) Use a carpenter's level to measure from a constant surface, and adjust support straps as necessary.

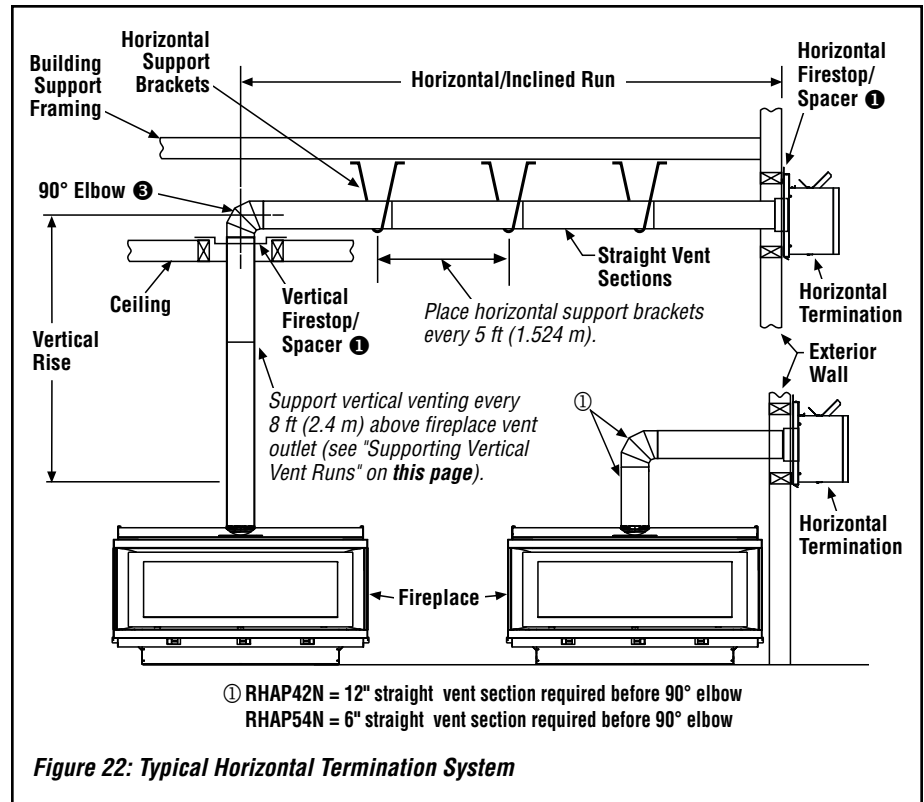


Figure 22: Typical Horizontal Termination System

VENTING INSTALLATION
(CONTINUED)

VENT RESTRICTOR REQUIREMENTS

Installation of the provided vent restrictor assembly is required for the venting configurations listed in **Figure 24**.

The Vent Restrictor Kit (provided with the fireplace; see **Figure 23**) includes one vent restrictor base, two wings, and four screws.

1. Refer to **Figure 24**.

For venting configurations listed under "Setting 1":

Use the **vent restrictor base only** (no assembly is required).

For venting configurations listed under "Setting 2" or "Setting 3":

Use the four provided screws to attach the two **wings** to the **vent restrictor base** in the applicable position.

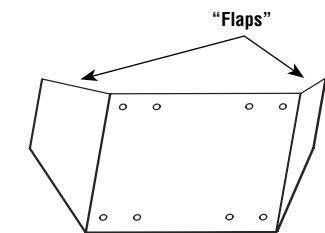
2. If the baffle and back panel are already installed, remove them before proceeding. See **Page 27**.

3. Install the vent restrictor assembly from inside the firebox. With the **flaps** on the **vent restrictor base** facing UP, carefully bend the flaps inward just enough to slide the assembly up into the **vent collar**, as shown in **Figure 25**.

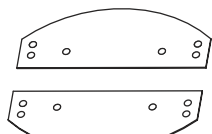
The vent restrictor is held in place by friction only.

The entire vent restrictor assembly must be up inside the vent collar, with no portion showing inside the firebox.

Vent Restrictor Kit
(provided with fireplace)



(1) Vent Restrictor Base



(2) Wings



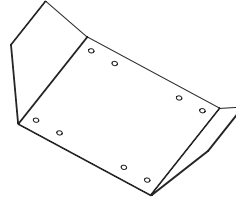
(4) Screws

Figure 23

Vent Restrictor Assembly Settings and Applications

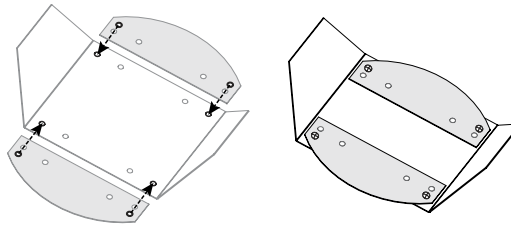
Setting 1 (Vent Restrictor Base only) is required for the following configurations:

- Horizontal termination with total vertical run of more than 6 ft.
- Vertical termination with total vertical run of 6–10 ft.



Setting 2 is required for the following configuration:

- Vertical termination with total vertical run of 10+–40 ft.



Setting 3 is required for the following configuration:

- Vertical termination with total vertical run of 40+–60 ft.

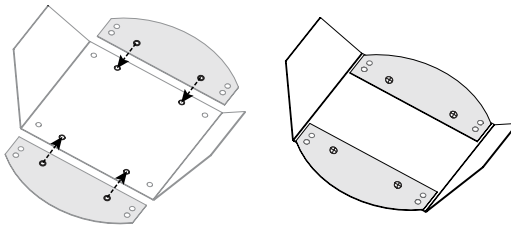


Figure 24

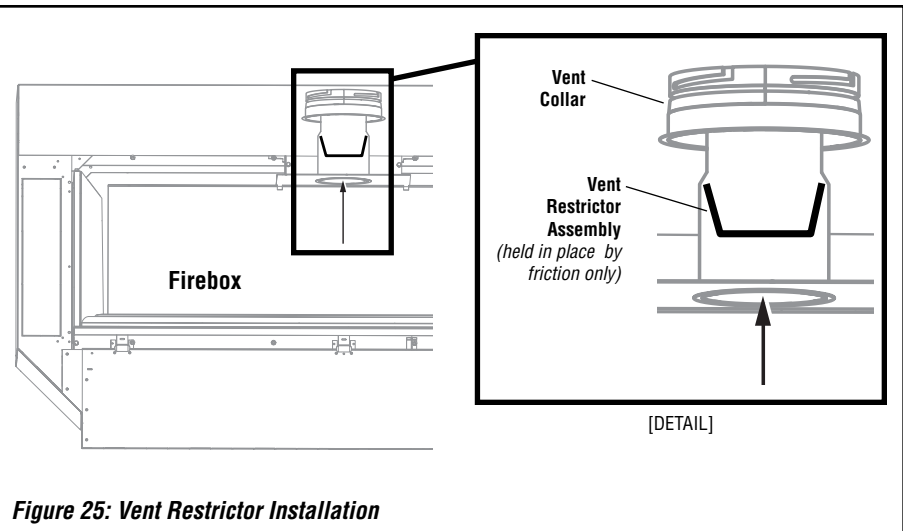


Figure 25: Vent Restrictor Installation

VENTING INSTALLATION
(CONTINUED)

USING SECURE FLEX® KITS AND COMPONENTS

Secure Flex® venting kits and components may be used in any venting application in place of rigid **Secure Vent®** (SV4.5) direct-vent components. All restrictions, clearances and allowances that pertain to the rigid piping apply to the flexible venting. **Secure Flexkits may not be modified; also, under no circumstances may separate sections of flex pipe be joined together.**

Using adaptor (SV4.5RF), **Secure Flex** kits may be added to the end of a vent run made up of rigid **Secure Vent** (SV4.5) vent sections provided that doing so does not violate any of the venting length, height, routing, horizontal to vertical ratio requirements or clearance considerations detailed in this manual.

Secure Flex kits come with an adaptor that can be fitted to the inclined channel end of the last **Secure Vent** (SV4.5) vent section in a rigid system in the exact same fashion as any other **Secure Vent** section. Align the dimpled end of the adaptor over the previously installed section or appliance collar, adjusting the radial alignment until the four locking dimples of the adaptor are aligned with the inlets of the four incline channels of the last vent section or collar. Push on the adaptor until it fully engages, then twist the adaptor clockwise running the dimples down and along the incline channels until they seat at the end of the channels.

To attach the flexible vent to the adaptor (Figure 26):

A. Install Inner Flex Pipe

1. Install the small gear clamp loosely around the inner flexible vent pipe, push it back out of the way.
2. Apply a bead of **Mill-Pac Black (700° F) high temperature sealant - Catalog No. 10K81** to the inner adaptor collar, approximately 1/2 inch from the end.
3. Pull and extend the inner flexible vent pipe.
4. Slide the inner flex pipe over the adaptor collar. Ensure the flexible vent pipe completely engages the adaptor collar to a distance of 1-3/4 inches from the end, and that it is free from damage or tears.
5. Slide the gear clamp down and tighten it fully to secure the flexible vent to the adaptor inner collar approximately 3/4 inch from the end of the flex.
6. Install **three screws, 120 degrees apart**, through the flexible vent pipe and into the adaptor collar just below the gear clamp to provide additional security to the connection.

Note: Outer Pipe Is Pulled Away To Show The Detail of The Inner Pipe

APPLY ONLY MIL-PAC BLACK HIGH TEMPERATURE SEALANT (Cat. No. 10K81) to the outside surface of both collars of the adaptor (be especially careful to fill the grooves of the outer collar to be covered by the flexible pipe) and slide flexible pipe over inner and outer adaptor collars.

1-3/4 inch (44 mm) Flexible Pipe and Adaptor Outer Collar Overlap

Adaptor (SV4.5RF)

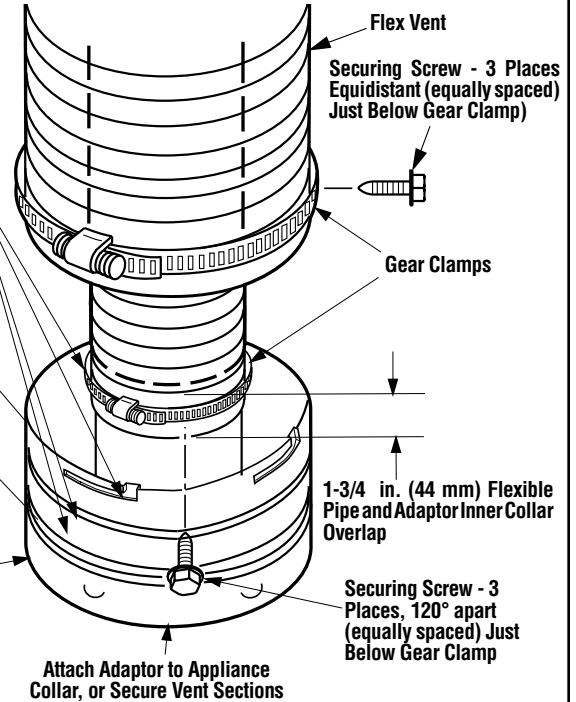


Figure 26

B. Install Outer Flex Pipe

1. Install the large gear clamp loosely around the outer flexible vent pipe, push it back out of the way.
2. Apply a bead of **Mill-Pac Black (700° F) high temperature sealant - Catalog No. 10K81** to the outer adaptor collar; to the grooves of the collar which extend approximately 1 inch from the end and to the flat surface, approximately 1-3/8 inches from the end.
3. Pull and extend outer flexible vent pipe.
4. Slide the outer flex pipe over the adaptor collar. Ensure the flexible vent pipe completely engages the adaptor collar to a distance of 1-3/8 inches from the end, and that it is free from damage or tears.
5. Slide the gear clamp down and tighten it fully to secure the flexible vent to the adaptor outer collar approximately 3/4 inch from the end of the flex.
6. Install **three screws, 120 degrees apart**, through the flexible vent pipe and into the adaptor collar just below the gear clamp to provide additional security to the connection.

C. Route Flex Vent

Ensure that the flex vent is properly routed to provide the required clearance. **Do not** allow the flexible vent to bend in a radius tighter than 5" (127 mm). Refer to **Figure 27**. Space out the internal flex vent spacers evenly and avoid kinking of inner pipe. Support horizontal sections of flex with metal straps at 2 foot (0.61 m) intervals.

D. Install Firestop/Spacer at ceilings and walls

When **Secure Flex** penetrates a wall or ceiling, a firestop/spacer is required: use the SF4.5VF firestop/spacer for ceilings and the SF4.5HF firestop/spacer for walls. See the appropriate sections and figures shown throughout the venting section for their installation requirements.

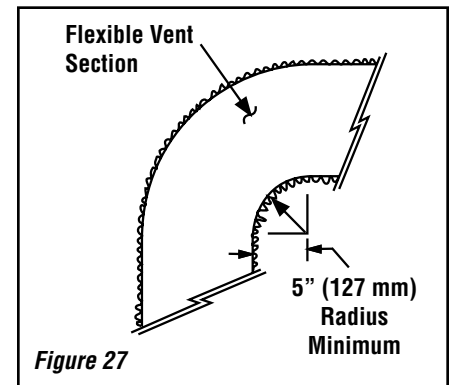


Figure 27

E. Attach Flex Vent to Termination -

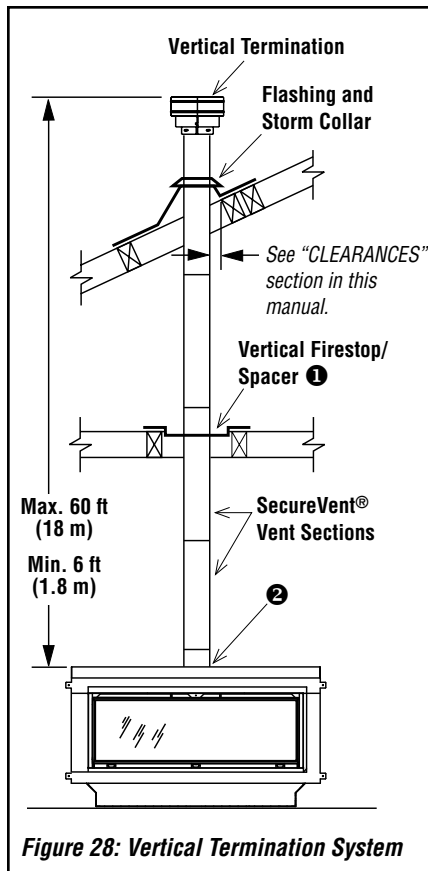
Secure Flex components can be purchased separately and attached to bulk lengths of **Secure Flex** flexible tubing cut to size at the job site. Secure the flexible vent to the **Secure Flex** terminations in the same manner (see **Figure 26**) as it was attached to the adaptor.

Note: Secure Flex vent must be attached to Secure Flex terminations only. DO NOT substitute Secure Vent terminations or the Secure Vent adaptor for Secure Flex components. The collars of Secure Flex terminations and adaptors have a different diameter than that used with the Secure Vent pipe. Additionally, Secure Flex components have an extended length center tube for use in attaching the flexible vent.

VERTICAL TERMINATION SYSTEMS

TYPICAL VERTICAL TERMINATION SYSTEMS

- Typical vertical termination systems are shown in **Figures 28, 29, and 30**.
- Select the vent design that matches your requirements, and make sure the vent run conforms to the rise-to-run ratios listed in **Table 7**.
- If the parameters of your vent run fall outside the parameters described herein, consider installing the **Power Vent Kit**. See manual **506022-01**, which is available for download from www.LennoxHearthProducts.com (>Owners Resources>Product Literature), or ask your dealer or distributor for more information.
- See the "VENTING INSTALLATION" section (**Pages 13–19**) for additional details.



VERTICAL TERMINATION SYSTEM RISE-TO-RUN RATIOS

Max. Total H		Min. Total V	
feet	(meters)	feet	(meters)
5	(1.524)	3.3	(1.006)
10	(3.1)	6.5	(1.981)
15	(4.65)	10	(3.048)
20	(6.096)	13.5	(4.115)

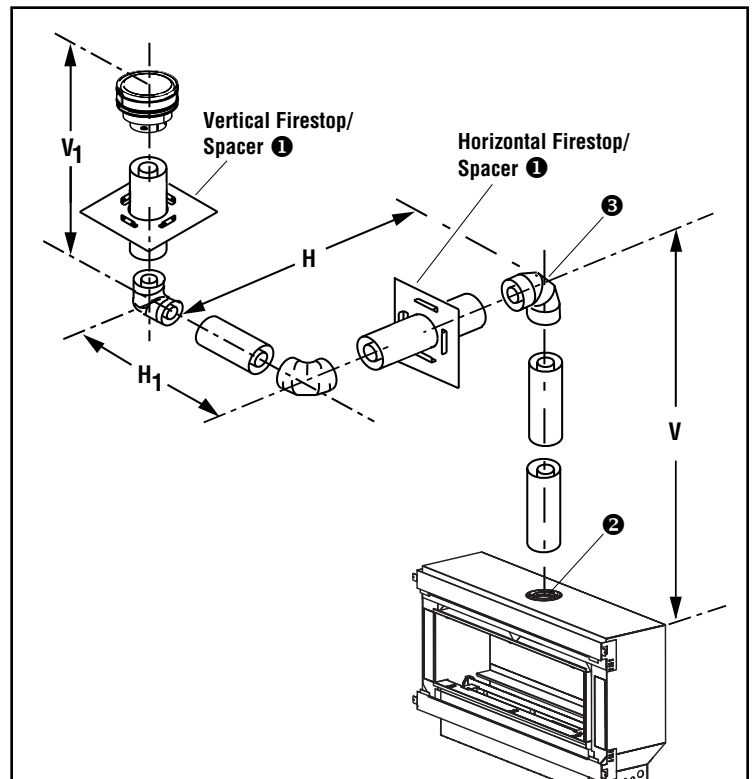
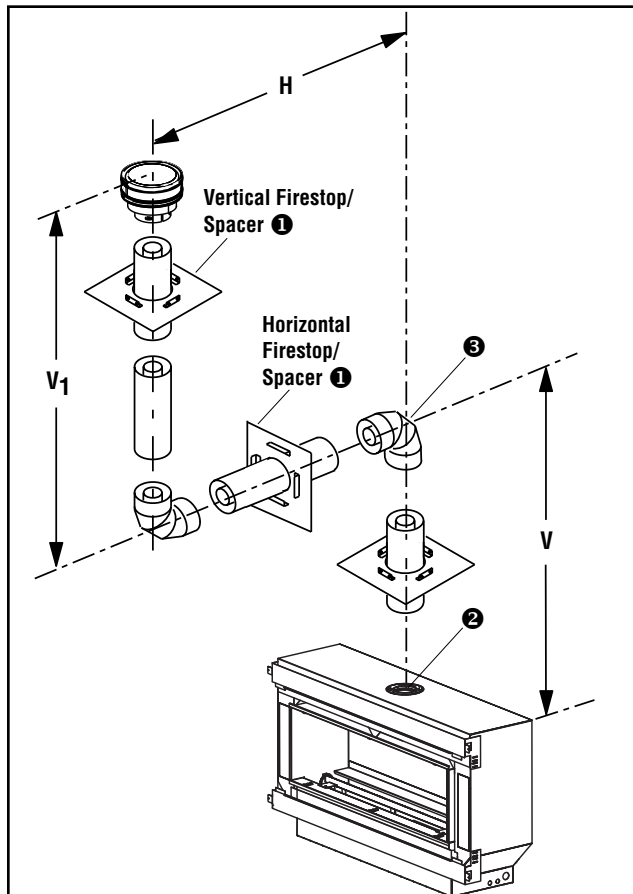
Total H = Max. 20 ft (6.096 m).

Total H + Total V = Max. 60 ft (18.3 m).

Example: A 20-ft total Horizontal vent run requires min. 13.5 ft total vertical venting.

Table 7

- 1 Vertical Firestop/Spacer must be used anywhere vent pipe passes through a combustible floor or ceiling. Horizontal Firestop/Spacer must be used anywhere vent pipe passes through a combustible wall. For details, see "Firestop/Spacer Requirements" on **Page 13**.
- 2 Install the provided Vent Restrictor, if required (see **Page 16**).
- 3 A 90° elbow may NOT be attached directly to the appliance collar. A minimum of 6" pipe (RHAP54) or 12" (RHAP42) must be used between the fireplace collar and a 90° elbow. For more details, see "Elbows" on **Page 14**.



VERTICAL TERMINATION SYSTEMS
(CONTINUED)

VERTICAL VENT TERMINATION CLEARANCES

- For vertical (roof) termination, the minimum vent height above the roof and/or adjacent walls is specified in ANSI Z223.1, latest edition (in Canada, the current CAN/CGA-B149.1 installation code) and by major building codes. Always consult your local codes for specific requirements. A general guide to follow is the Gas Vent Rule.
- Terminate multiple vertical vents according to the installation codes listed above. Also see **Figure 31**.
- Terminate single vertical vent caps relative to other existing building components, as shown in **Figure 32**.

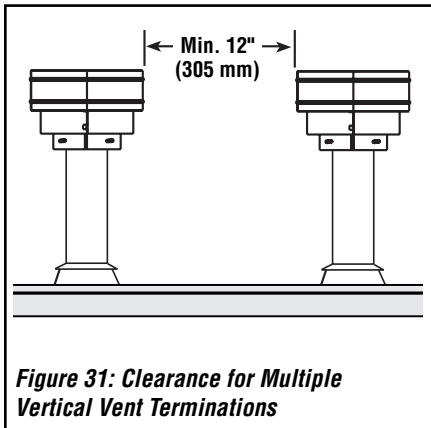


Figure 31: Clearance for Multiple Vertical Vent Terminations

INSTALLING VERTICAL VENT TERMINATION

1. Install roof flashing.

- After framing the roof opening (**Page 9**), extend vent sections through roof structure.
- Install roof flashing over the vent section (**Figure 33**), and position so the vent column rises vertically (use a carpenter's level).
- Nail along the perimeter to secure the flashing, or adjust roofing to overlap flashing edges at top and sides only. Trim where necessary.
- Seal top and both sides of flashing with waterproof caulking.

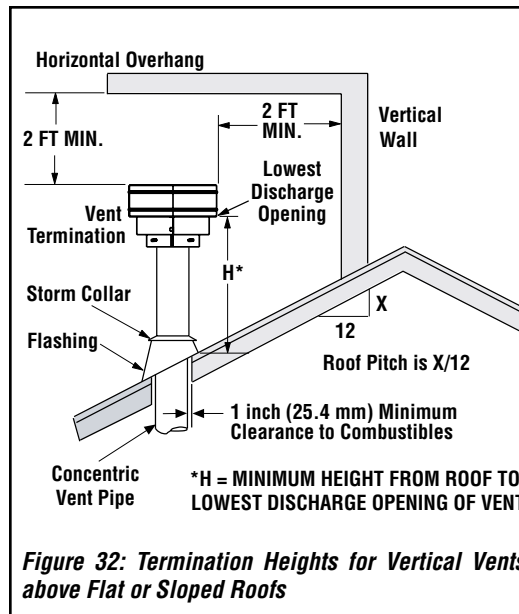


Figure 32: Termination Heights for Vertical Vents above Flat or Sloped Roofs

Vent/air Intake Termination Clearances Above the High Side of an Angled Roof (Ref. NFPA 54 / ANSI Z223.1)

Roof Pitch	H*	
	Feet	Meters
Flat to 6/12	1.0	0.3
6/12 to 7/12	1.25	0.38
7/12 to 8/12	1.5	0.46
8/12 to 9/12	2.0	0.61
9/12 to 10/12	2.5	0.76
10/12 to 11/12	3.25	0.99
11/12 to 12/12	4.0	1.22
12/12 to 14/12	5.0	1.52
14/12 to 16/12	6.0	1.83
16/12 to 18/12	7.0	2.13
18/12 to 20/12	7.5	2.29
20/12 to 21/12	8.0	2.44

2. Install storm collar.

Note: Refer to "Vertical Vent Termination Clearances" on previous page.

Install the storm collar (supplied with the flashing) over the vent/flashing joint (see **Figure 33**):

- Loosen the screw on the storm collar, and slide the collar down until it meets the top of the flashing.
- Tighten the adjusting screw.
- Apply non-combustible caulking (silicone caulking is acceptable) around entire circumference to ensure a water-tight seal.

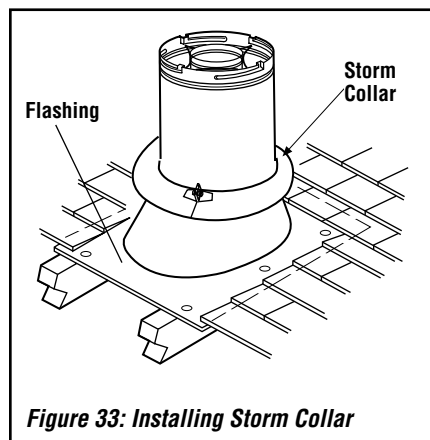


Figure 33: Installing Storm Collar

3. Install vertical termination.

Extend the vent sections to the height shown in "Vertical Vent Termination Clearances" on **Page 19**.

The vertical termination (**Figure 34**) installs in the same manner as the other vent sections (see "Attaching Secure Vent® Components" on **Page 13**).

- If the vent system extends more than 5 feet (1.5 meters) above the roof flashing, stabilizers are **required** (not provided).
- Additional screws may be used at section joints for added stability.
- Guide wires may be attached to the joint for additional support on multiple joint configurations.

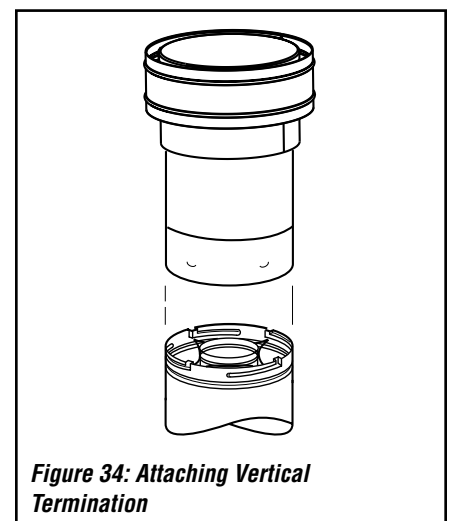


Figure 34: Attaching Vertical Termination

HORIZONTAL TERMINATION SYSTEMS

TYPICAL HORIZONTAL TERMINATION SYSTEMS

Note: Building codes limit or prohibit horizontal termination in specific areas. For location guidelines, see *Page 22*.

- Typical horizontal termination systems are shown in *Figures 35, 36, and 27*.
- Select the vent design that matches your requirements and make sure the vent run conforms to the rise-to-run ratios listed in *Table 8*.
- If the parameters of your vent run fall outside the parameters described herein, consider installing the **Power Vent Kit**. See manual **506022-01** (available for download from www.LennoxHearthProducts.com [$>$ Owners Resources>Product Literature], or ask your dealer or distributor for more information).
- See the "VENTING INSTALLATION" section on *Pages 13–17* for additional details.

HORIZONTAL TERMINATION SYSTEM RISE-TO-RUN RATIOS

Max. Total H		Min. Total V	
feet	(meters)	feet	(meters)
2	(0.610)	1	(0.305)
4.5	(1.372)	3	(0.914)
6	(1.829)	4	(1.220)
7.5	(2.286)	5	(1.524)
9	(2.743)	6	(1.729)
15	(4.572)	10	(3.048)

Total H = 15 ft (4.572 m) max.

Total H + Total V = 60 ft (18.3 m) max.

Example: 15 ft total Horizontal vent run requires a min. of 10 ft total Vertical vent.

Table 8

- 1 Vertical Firestop/Spacer must be used anywhere vent pipe passes through a combustible floor or ceiling.
Horizontal Firestop/Spacer must be used anywhere vent pipe passes through a combustible wall.
For further details, see "Firestop/Spacer Requirements" on *Page 13*.
- 2 Install the provided Vent Restrictor, if required (see *Page 16*).
- 3 A 90° elbow may NOT be attached directly to the appliance collar. A minimum of 6" pipe (RHAP54) or 12" (RHAP42) must be used between the fireplace collar and a 90° elbow. For more details, see "Elbows" on *Page 14*.

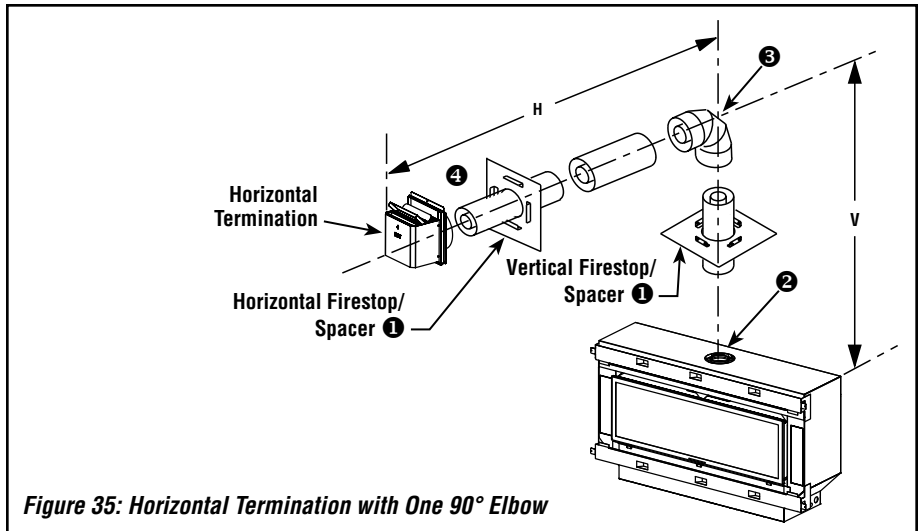


Figure 35: Horizontal Termination with One 90° Elbow

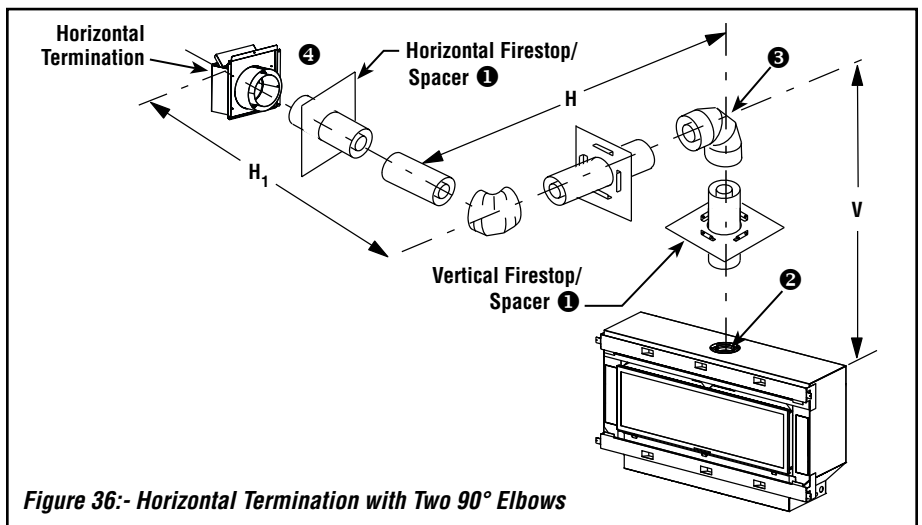


Figure 36: Horizontal Termination with Two 90° Elbows

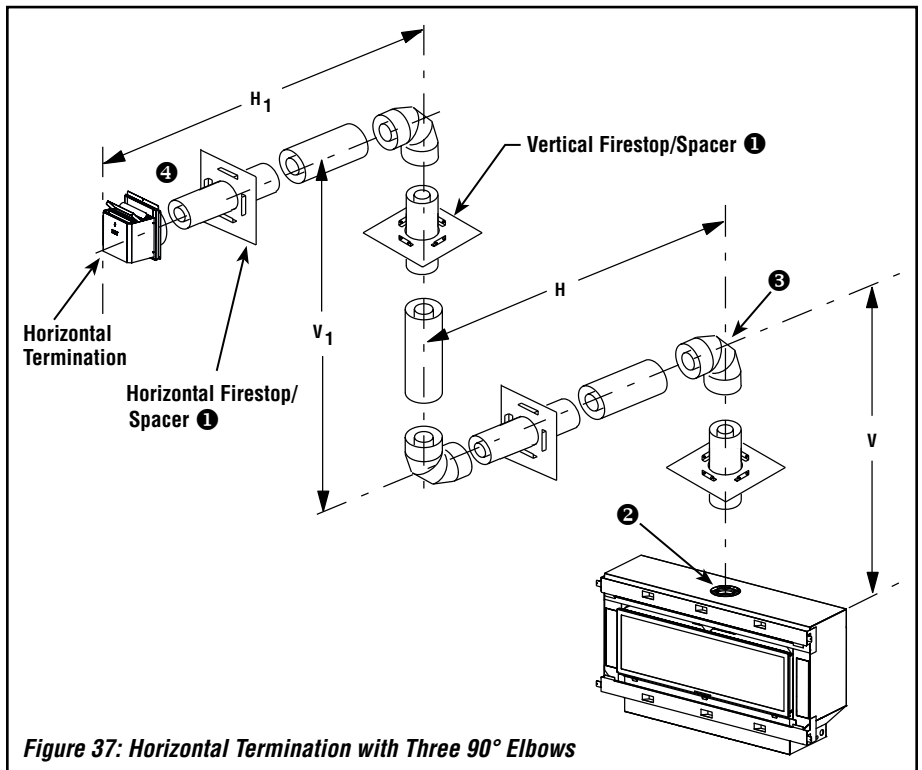


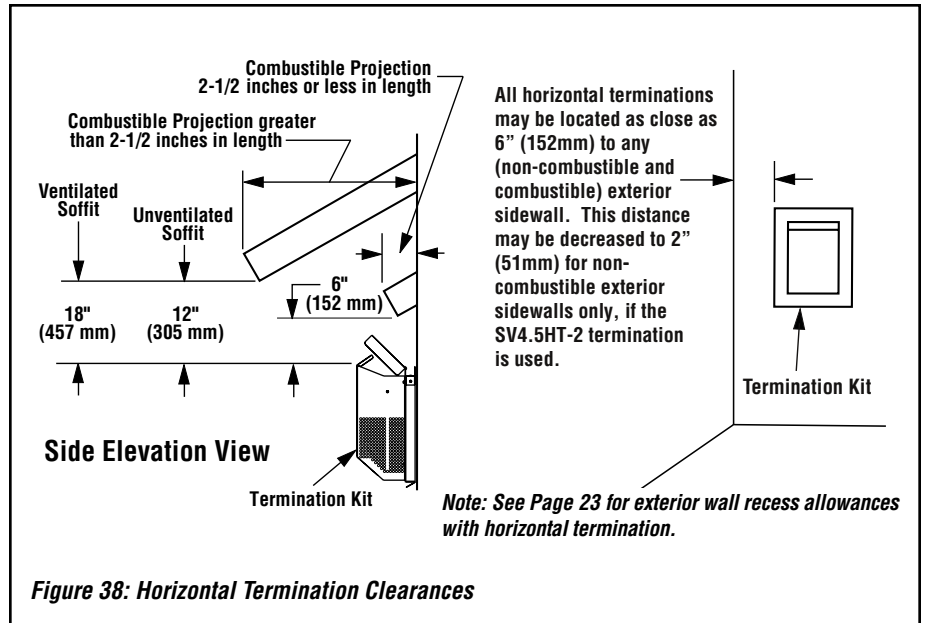
Figure 37: Horizontal Termination with Three 90° Elbows

NOTE: DIAGRAMS & ILLUSTRATIONS ARE NOT TO SCALE.

**HORIZONTAL TERMINATION SYSTEMS
(CONTINUED)**

**HORIZONTAL VENT
TERMINATION CLEARANCES**

- The horizontal vent termination must have a minimum 6" (152 mm) clearance to any overhead combustible projection less than or equal to 2-1/2" (64 mm). See **Figure 38**.
- For projections greater than 2-1/2" (64 mm), see **Figure 38**.
- For additional vent location restrictions, see **Page 22**.



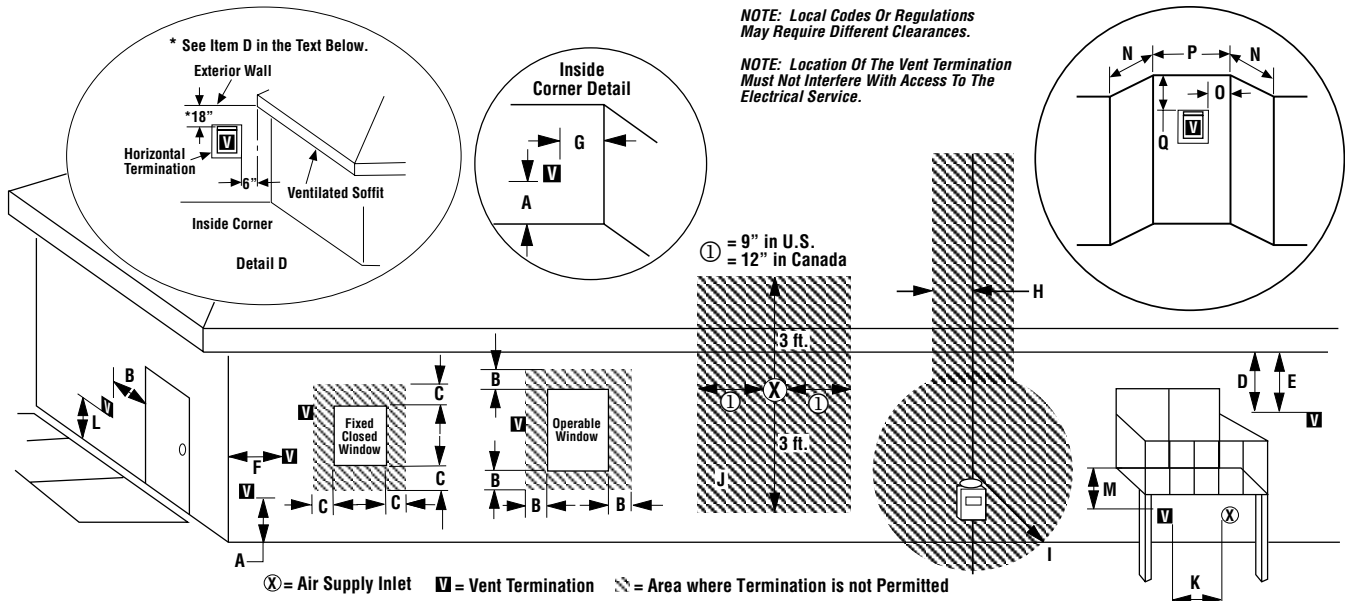
NOTICE

Horizontal terminations have been designed to perform in a wide range of weather conditions. Our terminations meet or exceed industry standards.

When selecting the locations of your horizontal terminations, do not place the termination where water from eaves and adjoining rooflines may create a heavy flow of cascading water onto the termination cap. If the cap must be placed where the possibility of cascading water exists, it is the responsibility of the builder to direct the water away from the termination cap by using gutters or other means.

Take care to carefully follow the installation instructions for the termination, including the use of silicone caulking where required.

**HORIZONTAL TERMINATION SYSTEMS
(CONTINUED)**



	Canadian Installation*	US Installation**
A = Clearance above grade, veranda, porch, deck, or balcony.	12 inches (30cm)*	12 inches (30cm)**
B = Clearance to window or door that may be opened.	6 inches (15cm) for appliances < 10,000 Btuh (3kW), 12 inches (30cm) for appliances > 10,000 Btuh (3kW)	6 inches (15cm) for appliances < 10,000 Btuh (3kW), 9 inches (23cm) for appliances > 10,000 Btuh (3kW) and < 50,000 Btuh (15kW), 12 inches (30cm) for appliances > 50,000 Btuh (15kW)**
C = Clearance to permanently closed window	12 inches (305mm) recommended to prevent window condensation	9 inches (229mm) recommended to prevent window condensation
D = Vertical clearance to ventilated soffit located above the termination within a horizontal distance of 18 inches (458mm)	18 inches (458mm)	18 inches (458mm)
E = Clearance to unventilated soffit	12 inches (305mm)	12 inches (305mm)
F = Clearance to outside corner	5 inches (12.7cm) minimum	5 inches (12.7cm) minimum
G = Clearance to inside corner	2 inches (5.08cm) minimum	2 inches (5.08cm) minimum
H = Clearance to each side of center line extended above meter/regulator assembly	3 feet (91cm) within a height of 15 feet above the meter/regulator assembly*	3 feet (91cm) within a height of 15 feet above the meter/regulator assembly**
I = Clearance to service regulator vent outlet	3 feet (91cm)*	3 feet (91cm)**
J = Clearance to nonmechanical air supply inlet to building or the combustion air inlet to any other appliance	6 inches (15cm) for appliances < 10,000 Btuh (3kW), 12 inches (30cm) for appliances > 10,000 Btuh (3kW)	6 inches (15cm) for appliances < 10,000 Btuh (3kW), 9 inches (23cm) for appliances > 10,000 Btuh (3kW) and < 50,000 Btuh (15kW), 12 inches (30cm) for appliances > 50,000 Btuh (15kW)**
K = Clearance to a mechanical air supply inlet	6 feet (1.83m)*	3 feet (91cm) above if within 10 feet (3m) horizontally**
L = Clearance above paved sidewalk or paved driveway located on public property	7 feet (2.13m)‡	7 feet (2.13m)‡
M = Clearance under veranda, porch, deck or balcony	12 inches (30cm)*‡	12 inches (30cm)‡
N = Depth of Alcove (Maximum)	6 feet (1.83m)*	6 feet (1.83m)**
O = Clearance to Termination (Alcove)	6 inches (15.2mm)*	6 inches (15.2mm)**
P = Width of Alcove (Minimum)	3 feet (91cm)*	3 feet (91cm)*
Q = Clearance to Combustible Above (Alcove)	18 inches (457mm)*	18 inches (457mm)**

* In accordance with the current CAN/CGA-B149.1 National Gas And Propane Installation Code.
 ** In accordance with the current ANSI SZ223.1/NFPA 54 National Fuel Gas Codes.
 ‡ A vent shall not terminate directly above a sidewalk or paved driveway which is located between two single family dwellings and serves both dwellings.
 *‡ Only permitted if veranda, porch, deck or balcony is fully open on a minimum 2 sides beneath the floor.

Figure 39

**HORIZONTAL TERMINATION SYSTEMS
(CONTINUED)**

INSTALLING HORIZONTAL VENT TERMINATION

1. Assemble vent run to exterior wall.

a) If not already done, prepare an opening as described in **Figure 40**.

b) Assemble the vent system to the point where the end of the last section is within 5 to 8-1/2 inches (127 to 216 mm) inboard of the exterior surface to which the termination will be attached. See **Figure 40 and 41**.

If the end of the last section is not within this distance, use the **telescopic vent section** as the last vent section (see **Page 14**).

Note: For walls thicker than those shown in **Figure 41**, see **Table 9**, which lists additional venting components needed (in addition to the termination and adaptor) for a particular range of wall thicknesses.

2. Attach termination adaptor.

See **Figure 41**. Attach the **termination adaptor** (provided with the termination) to the vent section (or telescoping vent section or elbow) in the same manner as the other vent components (see "Attaching Secure Vent® Components" on **Page 13**).

Note: If blown insulation is to be used, the **Through-Wall Shield Kit (H5816)** **MUST** be installed.

3. Install firestop/spacer at exterior wall.

See **Figure 40**. Install the **firestop/spacer** over the opening at the exterior side of the framing, long side up, with the 3-inch spacer clearance at the top, and nail into place. (The firestop/spacer also may be installed over the opening at the interior side of framing).

4. Install horizontal termination.

a) From outside the exterior wall, slide the **horizontal termination** collars onto the **termination adaptor** (the outer termination collar INSIDE the outer diameter of the adaptor, and the inner termination collar OUTSIDE the inner diameter of the adaptor) until the termination seats against the exterior wall surface to which it will be attached.

b) Orient the termination housing with the arrow pointing UP (see **Figure 41**).

c) Secure the termination to the exterior wall.

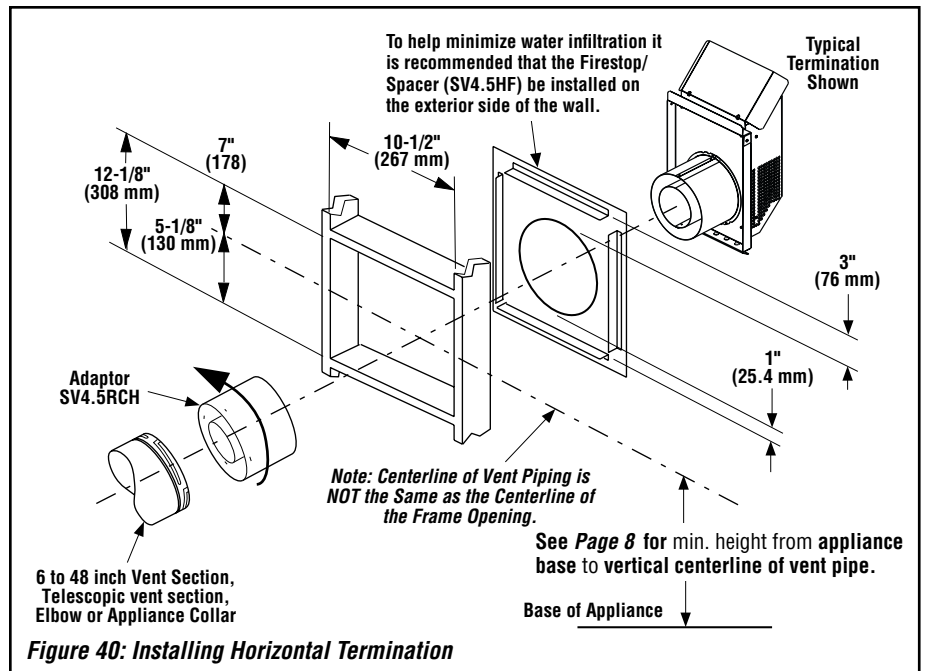


Figure 40: Installing Horizontal Termination

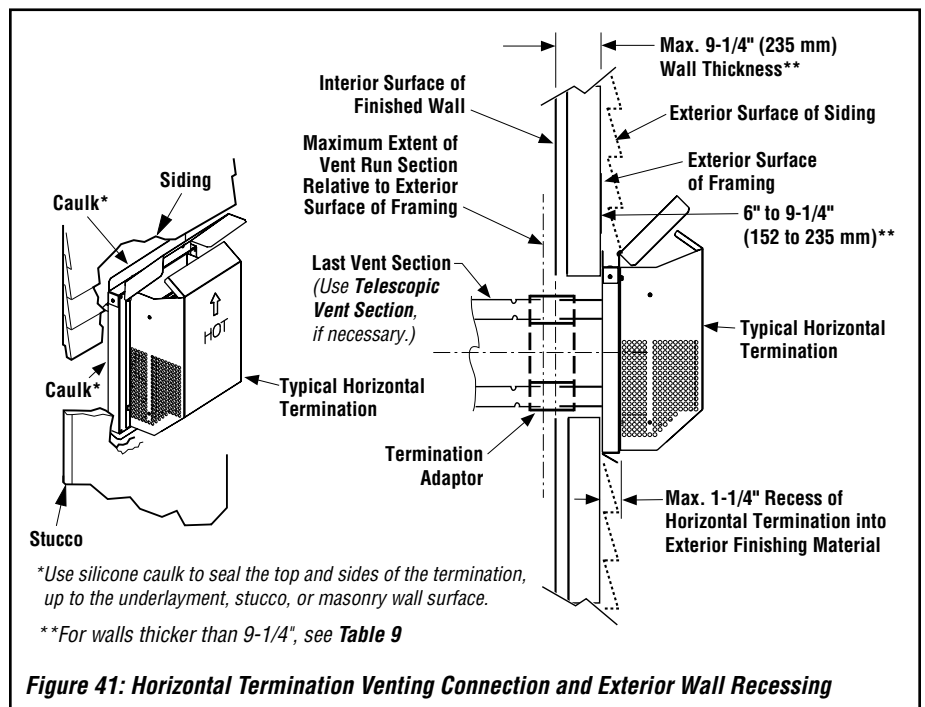


Figure 41: Horizontal Termination Venting Connection and Exterior Wall Recessing

NOTE: The horizontal termination must not be recessed into the exterior wall or siding by more than 1-1/4\" (32 mm), as shown in **Figure 41**.

CAUTION: The vent termination is **HOT** while in operation and for a period of time following fireplace use. To prevent contact with hot surfaces, use a **Termination Guard**, which can be purchased at your local dealer. (See "Installation Accessories" in this manual for catalog numbers.)

Use Table 9 when selecting venting components for a particular range of exterior wall thicknesses.

REQUIRED HORIZONTAL VENTING COMPONENTS BASED ON EXTERIOR WALL THICKNESS	
Ext. Wall Thickness inches (mm)	Required Horizontal Vent Components
6 to 9-1/4 (152 to 235)	• Termination Kit
10-3/4 to 14 (273 to 356)	• Termination Kit • 6-inch Vent Section
16-3/4 to 20 (426 to 508)	• Termination Kit • 12-inch Vent Section
11-3/4 to 20 (299 to 508)	• Termination Kit • Telescopic Vent Section

Table 9

NOTE: DIAGRAMS & ILLUSTRATIONS ARE NOT TO SCALE.

FIELD WIRING

CAUTION: Label all wires prior to disconnection when servicing controls. Wiring errors can cause improper and dangerous operation.

ATTENTION: Au moment de l'entretien des commandes, étiquetez tous les fils avant de les débrancher. Des erreurs de câblage peu-vent entraîner un fonctionnement inadéquat et dangereux.

Verify proper operation after servicing.

S'assurer que l'appareil fonctionne adéquatement une fois l'entretien terminé.

CAUTION

Ground supply lead must be connected to the wire attached to the green ground screw located on the outlet box. Failure to do so will result in a potential safety hazard. The appliance must be electrically grounded in accordance with local codes or, in the absence of local codes, the National Electrical Code, ANSI/NFPA 70, latest edition (in Canada, the current CSA C22.1 Canadian Electrical Code).

WARNING

Electrical Grounding Instructions

This appliance is equipped with a three-prong (grounding) plug for your protection against shock hazard and should be plugged directly into a properly grounded three-prong receptacle. **DO NOT** cut or remove the grounding prong from the plug.

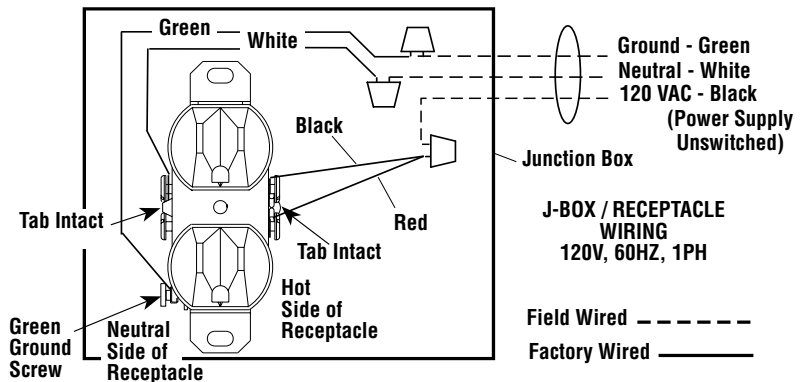
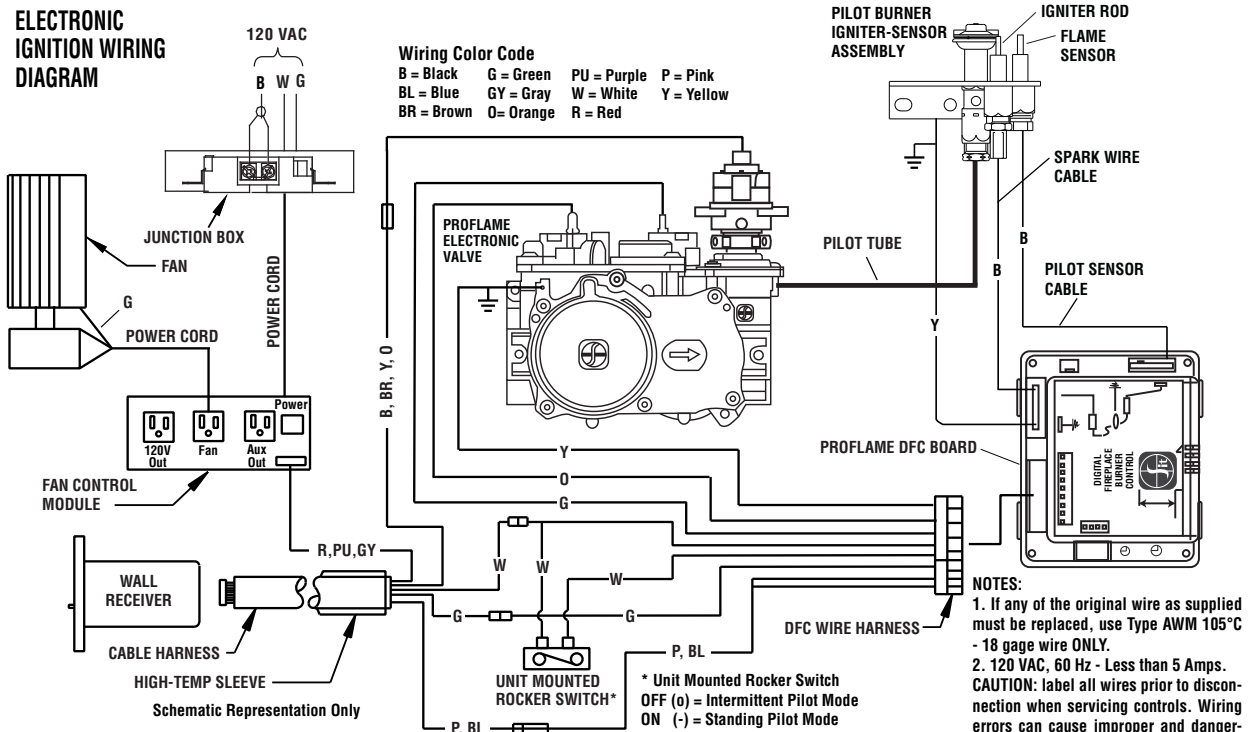


Figure 42: Junction Box Wiring

ELECTRONIC IGNITION WIRING DIAGRAM



P/N 580095-01

Figure 43: Proflame Electronic Wiring Diagram

FIELD WIRING STEPS

Route wiring and install electrical components in the order described in this section.

1. Route fireplace wiring.

(See Figures 42 and 43)

Note: The electronic appliance must be connected to the main power supply.

- 1.1. Route a 3-wire, 120V AC, 60 Hz, 1ph power supply (not provided) to the appliance junction box.

Note: The junction box can be moved to the bottom of the box or to the right side (see Figure 44). To move the j-box remove the cover plate, compress junction box to release it from the fireplace. Select the new location. For the bottom location. Install the 3 wire 120V AC supply wire and strain relief in the hole provided. Connect the wires as shown in Figure 42. Reinstall the junction box by compressing the sides, then place the small flange of the Junction box in the small slot. Place the larger flange into the larger slot and release. Replace the cover on the original junction box location.

- 1.2. Remove the electrical inlet cover plate from the back of the unit by removing the plate's securing screws. The junction box can be moved to the bottom of the fireplace for bottom electrical entry.
- 1.3. Remove the cover plate knockout; then feed the power supply wire through the knockout opening and into the unit junction box.
- 1.4. Connect the black power supply wire to the **power outlet's** red pigtail lead and the white power supply wire to the **common** terminal of the outlet.
- 1.5. Connect the ground supply wire to the pigtail lead attached to the outlet's green ground screw.
- 1.6. After wiring is complete, replace the cover plate.

(Continued on next page)

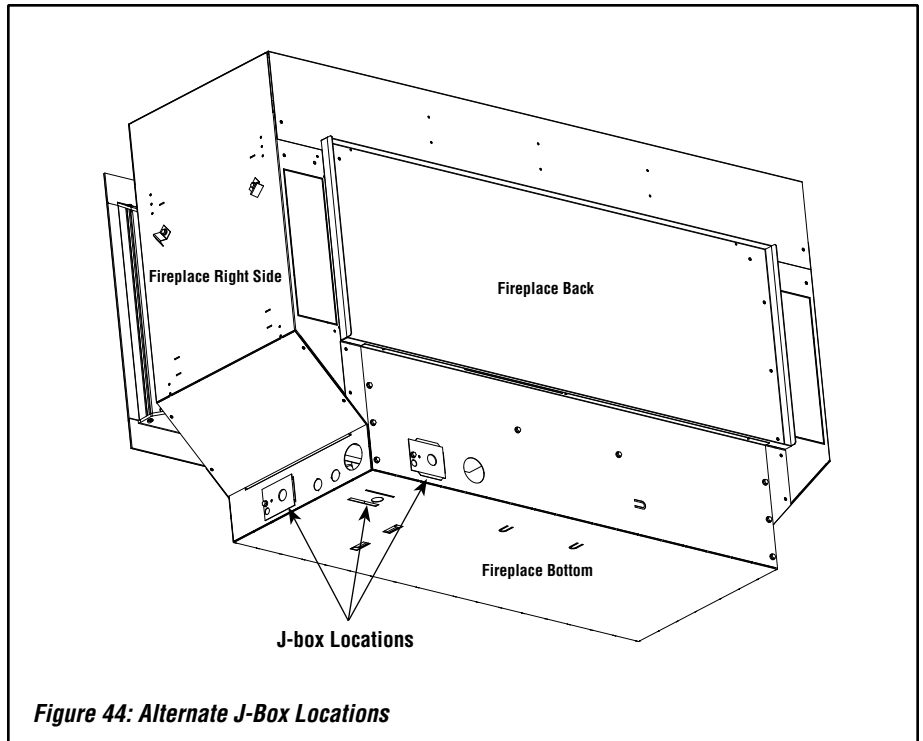


Figure 44: Alternate J-Box Locations

FIELD WIRING (CONTINUED)

2. Install and initialize Total Comfort Control™ Remote Control System.

[REQUIRED — PROVIDED WITH FIREPLACE]

REQUIRED ITEMS (not provided):

- Standard Junction Box
- Paper Clip or similar object (for remote control system initialization)

Installing and Wiring the Receiver (Wall Switch)

The Receiver for the **Total Comfort Control™ Remote Control System** connects directly to the gas valve, stepper motor, and fan control module with an umbilical cord wiring harness.

- 2.1. Install a junction box (not provided) on the wall adjacent to the appliance, within reach of the remote system umbilical cord wiring harness. Position the 14-pin terminal within the junction box in preparation for attachment to the remote receiver.
- 2.2. When wall finish is complete, install the receiver in the previously installed junction box, and connect the 14-pin terminal to the 14-pin connector on the back of the receiver.
- 2.3. Install the receiver cover plate, taking care to ensure the receiver switch is properly indexed with the switch cover when aligning the components for attachments.

Initializing the Remote Control System

After completing fireplace installation, initialize the remote control system before operating the fireplace.

- 2.4. Insert the (3) provided AAA batteries into the battery bay in the Transmitter, taking care to correctly align polarity (+/-).
- 2.5. Insert the (4) provided AA batteries into the Receiver battery bay (behind the wall switch plate), taking care to correctly align polarity (+/-).
- 2.6. On the Receiver, place the three-position slider switch in the REMOTE position (**Figure 45**).
- 2.7. On the Receiver front cover, insert the end of a paper clip (or other similar object; not provided) into the hole marked "PRG." The Receiver will "beep" three times to indicate it is ready to synchronize with the Transmitter.

- 2.8. On the Transmitter, press the ON button. The Receiver will "beep" four times to indicate acceptance of the Transmitter's command (and set the Receiver to the Transmitter's specific code). The system is now initialized.

The remote control system provides remote operation of the following fireplace functions:

- Primary burner ON/OFF
- Thermostat ON/OFF
- Flame height and heat output adjustment (six levels)
- Blower fan speed (six levels; for optional Blower Kit)
- Lighting ON/OFF (for optional Panel Backlight Kit)

The Receiver accepts commands via radio frequency from the Transmitter and does not require line-of-sight operation.

The slider switch on the Receiver can be set to one of three positions:

- ON (manual override)
- OFF (manual override)
- REMOTE (remote control)

See the fireplace **Care and Operation Instructions** for detailed instructions on using the remote control system to operate the fireplace.

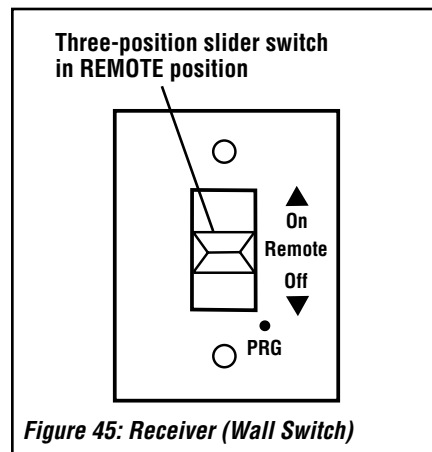


Figure 45: Receiver (Wall Switch)

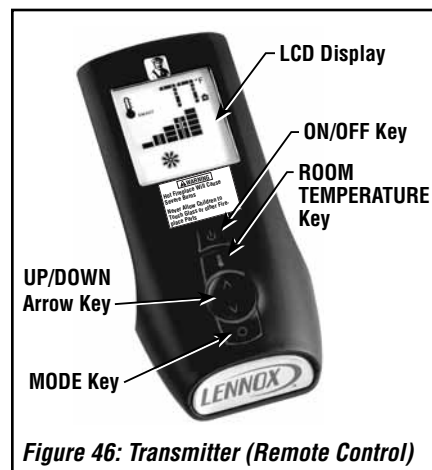


Figure 46: Transmitter (Remote Control)

! WARNING

Fire hazard. Can cause severe injury or death. The receiver causes ignition of the appliance. The appliance can turn on suddenly. Keep away from the appliance burner when operating the remote system or activating manual bypass of the remote system.

! CAUTION

Property damage hazard. Excessive heat can cause property damage. The appliance can stay lit for many hours. Turn off the appliance if it is not going to be attended for any length of time. Always place the Transmitter where children can not reach it.

3. Wire and install Power Vent Kit.

[OPTIONAL]

See Power Vent Kit manual **506022-01**.

4. Wire and install FBK-100 Blower Kit.

[OPTIONAL]

See Blower Kit manual **750028M**.

5. Route Panel Backlighting Kit Wiring.

[OPTIONAL]

See *Rhapsody Required and Optional Accessories* manual **506019-84**.

Note: Only route the wiring for the Panel Backlighting Kit at this point. Do not install the light assemblies until after installing the Panel Kit (see **next page**).

INSTALLING FIREPLACE COMPONENTS

Install all fireplace components in this section **in the order listed below.**

Note: Complete all steps under "FIELD WIRING" (previous two pages) before proceeding.

1. Install vent restrictor.

[REQUIRED WITH CERTAIN VENT RUNS — PROVIDED WITH FIREPLACE]

If not already done, install the provided vent restrictor (if required for your specific venting configuration) before proceeding. **See Page 16 for complete details.**

2. Install reflector from Panel Backlighting Kit.

[OPTIONAL]

See *Rhapsody Required and Optional Accessories* manual **506019-84.**

3. Install Panel Kit.

[REQUIRED — SOLD SEPARATELY]

Install the two side panels first; then the back panel.

See *Rhapsody Required and Optional Accessories* manual **506019-84.**

4. Install light assemblies from Panel Backlighting Kit.

[OPTIONAL]

See *Rhapsody Required and Optional Accessories* manual **506019-84.**

5. Install Floor Kit and media*.

[REQUIRED — SOLD SEPARATELY]

See *Rhapsody Required and Optional Accessories* manual **506019-84.**

*Media required only with specific Floor Kit styles. For details, see Media Kit manual and *Rhapsody Required and Optional Accessories* manual **506019-84.**

6. Install baffle.

[REQUIRED — PROVIDED WITH FIREPLACE]

Note: Panel Kit must be installed before baffle can be installed.

With the baffle oriented as shown in **Figure 48**, slide the rear **tabs** into the slots in the **back panel**.

While sliding the tabs into the slots, slide the front lip of the baffle under the **clips** in the **firebox ceiling**.

INSTALLATION INSTRUCTIONS

1. Make sure the fireplace is OFF and COLD.

2. Remove the fireplace glass door assembly, if installed (see **Figure 49**).

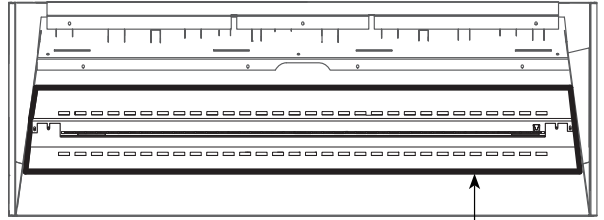
3. Place an even layer of media in recessed area around burner (bold outlined area).

IMPORTANT!

- Do NOT mound up media, especially on the burner.

- If using multiple colors of media, NEVER use more than five (5) pounds total (approx.) at one time.

4. Reinstall the glass door assembly.



Place media in **EVEN LAYER** in recessed area in floor (area outlined in bold in this illustration).

Note: Do NOT mound up media, especially on burner.

Figure 47 - Installing Media

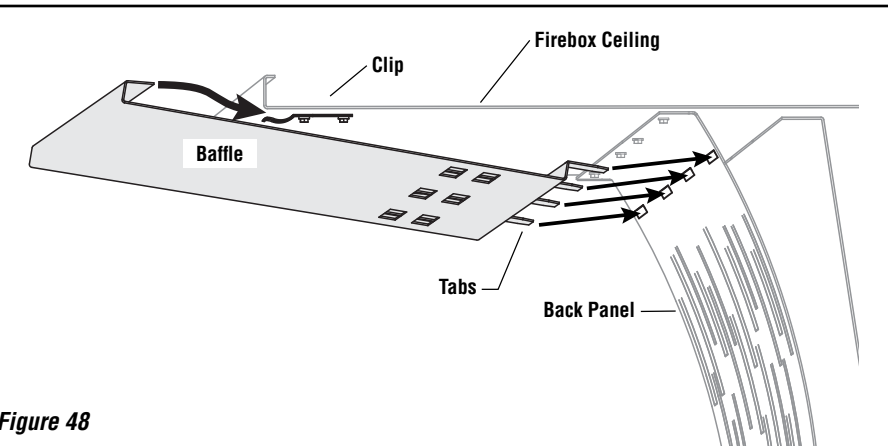
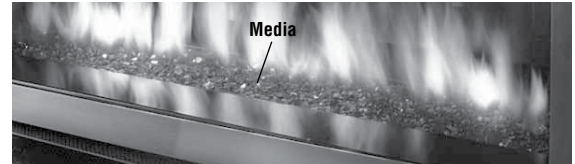


Figure 48

⚠ WARNING

- **DO NOT attempt to install panels until the appliance installation has been completed, the gas-line has been connected and tested for leaks, and initial burner operation has been checked.**
- **The media (required with some Floor Kits) was designed to provide a safe, reliable, attractive flame. Any attempt to use media not specified for this fireplace will result in incomplete combustion, sooting, and poor flame quality, and will void the warranty.**
- **Media gets very HOT during fireplace use and will remain hot up to ONE HOUR after gas supply is turned off. HANDLE MEDIA ONLY WHEN COOL. Turn OFF all electricity to the appliance before installing media.**
- **If media is not installed according to the installation instructions, flame impingement and improper combustion could occur, resulting in soot and/or excessive production of carbon monoxide (CO), a TOXIC gas that is colorless and odorless.**
- **This appliance is NOT designed to burn wood. Any attempt to burn wood in this fireplace may be a safety hazard, cause irreparable damage the appliance, and void the warranty.**

For additional information on available accessory kits and to download instruction sheets and other related manuals, visit www.LennoxHearthProducts.com

INSTALLING FIREPLACE COMPONENTS
(CONTINUED)

INSTALLATION/REMOVAL OF GLASS DOOR ASSEMBLY AND OPTIONAL BEZEL

Note: If installing the optional bezel, install the glass door assembly first; then the bezel. When removing components, remove the optional bezel before removing the glass door assembly.

Only doors certified with the appliance shall be used.

Seules des portes certifiées pour cet appareil doivent être utilisées.

! WARNING

HOT GLASS WILL CAUSE BURNS. DO NOT TOUCH GLASS UNTIL COOLED.

- Remove glass door assembly (and optional bezel) only when fireplace is OFF and COLD.
- Do not attempt to touch the front enclosure glass with your hands while the fireplace is in use.
- The glass on the front of the fireplace reaches EXTREMELY HIGH temperatures and can cause severe burns if touched. Even after the gas is turned off, fireplace surfaces remain extremely hot.
- Do NOT abuse glass door by striking or slamming shut.

! CAUTION

RISK OF PERSONAL INJURY OR PROPERTY DAMAGE.

- Handle glass with extreme care! Glass is susceptible to damage; do NOT scratch or handle roughly while reinstalling the glass door frame.
- Never operate fireplace with glass door assembly removed.

These direct-vent appliances are designed to operate only when glass door assembly is installed. Generally, the glass door assembly should not be removed, except when access to components within the firebox is required.

- Do not attempt to substitute the materials used on these doors, or replace cracked or broken glass.
- The glass door(s) of this appliance must only be replaced as a complete unit as provided by the manufacturer. Do not attempt to replace broken, cracked or chipped glass separately.

Installation of Glass Door Assembly

1. While holding the door assembly by the side edges, hook the top edge to the fireplace, and then swing the bottom edge in toward the fireplace, **taking care not to damage the glass (Figure 49).**

! IMPORTANT! *If the lower flange of the door does NOT clear the lower front frame of the fireplace (and hits the frame as you swing down the door), make sure the door's UPPER mounting flange is completely and properly engaged on the fireplace frame BEFORE INSERTING THE SCREWS.*

Proper door alignment and sealing are important to the operation and performance of the fireplace. Make sure the door seal is in contact with the frame and that no air leaks are present.

2. Align the screw holes below the door assembly with the holes in the fireplace, and secure using the (3) provided screws.

Reverse these steps to remove the glass door assembly.

! WARNING

Do not operate appliance with the glass front removed, cracked or broken.

! AVERTISSEMENT

Ne pas utiliser l'appareil si le panneau frontal en verre n'est pas en place, est craqué ou brisé.

! WARNING

Any safety screen or guard removed for servicing the appliance must be replaced prior to operating the appliance.

! AVERTISSEMENT

Tout écran ou protecteur retiré pour permettre l'entretien de l'appareil doit être remis en place avant de mettre l'appareil en marche.

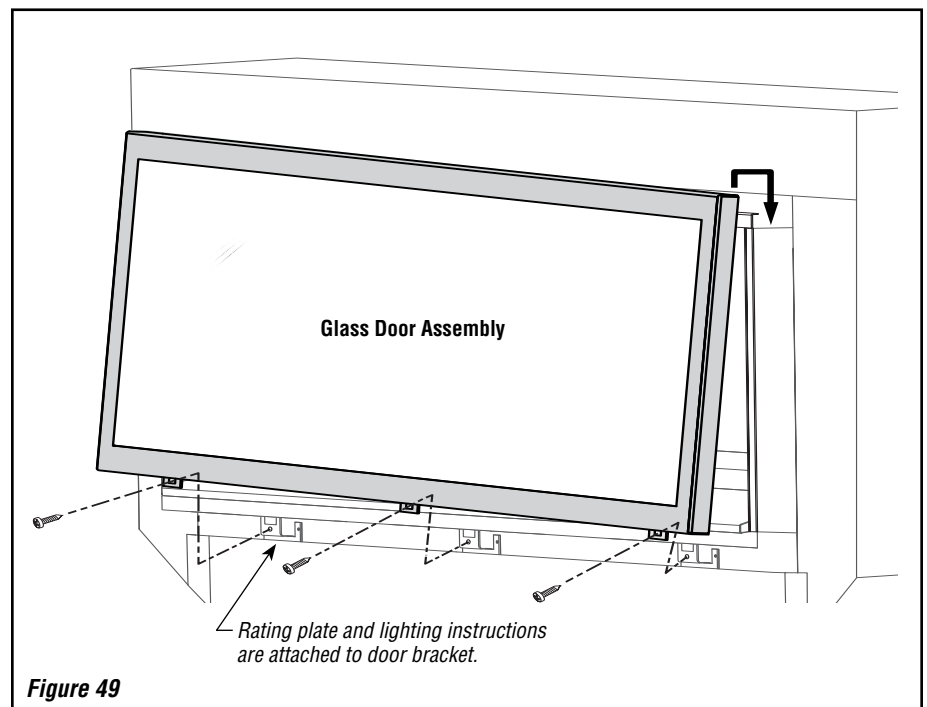


Figure 49

INSTALLING FIREPLACE COMPONENTS
(CONTINUED)

INSTALL MODESTY PANEL

NOTE: Modesty panel will not be used if surround and bezel will be installed.

To install the modesty panel, insert the four hooks on modesty panel into the four slots on door flange, then slide panel to the LEFT until fully seated (see **Figure 50**).

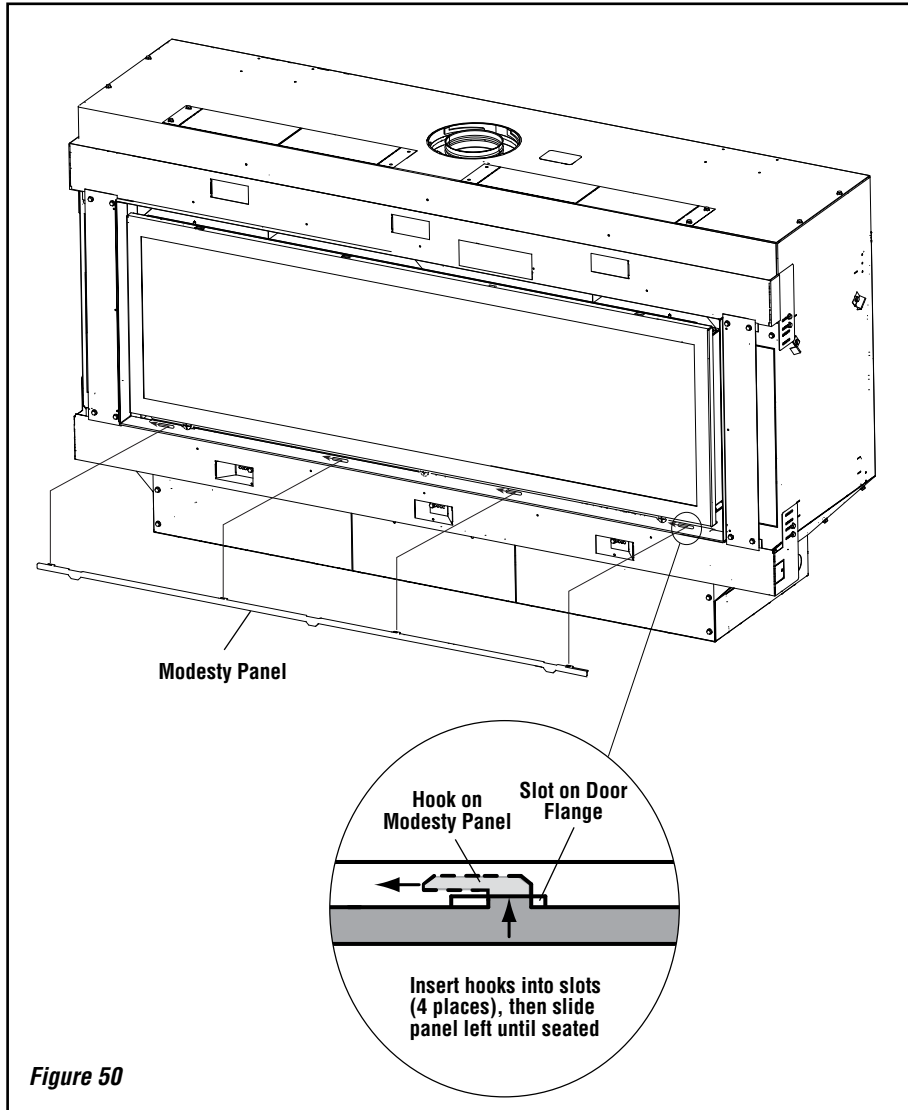
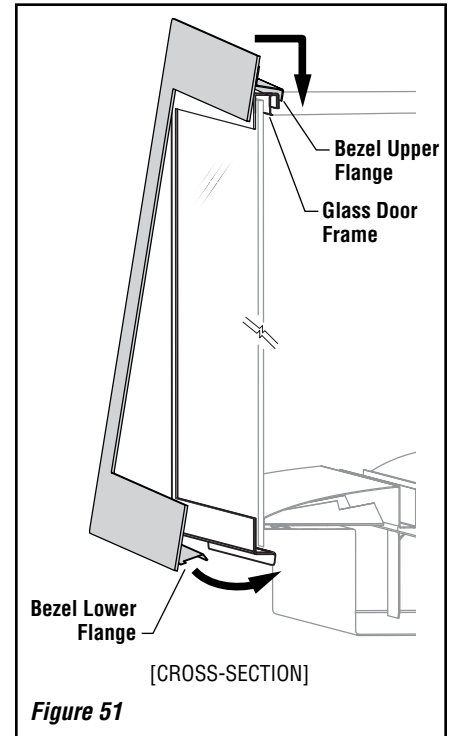


Figure 50

Installation of Optional Bezel

1. Hook the **bezel upper flange** to the top edge of the **glass door frame**, and then swing the lower edge of the bezel toward the door (**Figure 51**).
2. Gently push the lower edge of the bezel to attach the **bezel lower flange** to the lower edge of the **glass door frame**.

Reverse these steps to remove the bezel.



INSTALLATION OF OPTIONAL SURROUND

Surround installs after wall finish is complete. See **Pages 32 and 33**.

VERIFYING APPLIANCE OPERATION

With the gas-line installed, run the initial system checkout before closing up the front of the unit.

Follow the pilot lighting instructions provided in *on the next page*.

Note: Lighting instructions (and rating plate) are also provided on a tag attached to one of the lower door brackets.

When first lighting the appliance, it will take a few minutes for the gas-line to purge itself of air. Once purging is complete, the pilot and burner will light and operate as indicated in the instruction manual.

Appliance Checkout

To light the burner, slide the wall switch to the ON position (or use the remote control with the wall switch in the REMOTE position).

Ensure the igniter lights the pilot. The pilot flame should engulf the flame sensor rod, as shown in *Figure 52*.

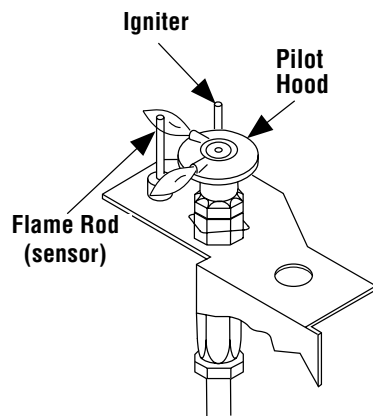


Figure 52

LIGHTING INSTRUCTIONS

FOR YOUR SAFETY READ BEFORE OPERATING

WARNING: If you do not follow these instructions exactly, a fire or explosion may result causing property damage, personal injury or loss of life.

A. This appliance is equipped with an ignition device which automatically lights the pilot. Do not try to light the pilot by hand.

B. BEFORE OPERATING smell all around the appliance area for gas. Be sure to smell next to the floor because some gas is heavier than air and will settle on the floor.

WHAT TO DO IF YOU SMELL GAS:

- Do not try to light any appliance.
- Do not touch any electric switch; do not use any phone in your building.

- Immediately call your gas supplier from a neighbor's phone. Follow the gas supplier's instructions.
- If you cannot reach your gas supplier, call the fire department.

C. If any portion of this appliance does not operate as the instructions indicate, do not try to repair it, call a qualified service technician. Do not use tools. Force or attempted repair may result in a fire or explosion.

D. Do not use this appliance if any part has been under water. Immediately call a qualified service technician to inspect the appliance and to replace any part of the control system and any gas control which has been under water.

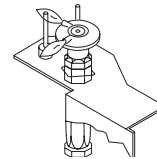
OPERATING INSTRUCTIONS

1. STOP! Read the safety information above on this label.
2. Read the Care and Operation manual including the section on "Remote Control System."
3. Slide the switch on the receiver to "OFF."
4. Press ON/OFF button on remote control transmitter to "OFF."
5. Turn "OFF" all electric power to the appliance.
6. This appliance is equipped with an ignition device which automatically lights the pilot. Do not try to light the pilot by hand.
7. Wait five (5) minutes to clear out any gas. If you then smell gas, STOP! Follow "B" in the safety information above on this page. If you do not smell gas, go to the next step.
8. Turn on all electric power to the appliance.
9. Slide the switch on the receiver to REMOTE.
10. Press ON/OFF button on remote control transmitter to "ON."
11. Set thermostat on remote control to desired setting.
12. If the appliance will not operate, follow the instructions "To Turn Off Gas To Appliance" and call your service technician or gas supplier.

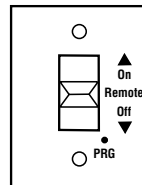
Electronic Gas Control Valve - SIT Proflame



Electronic Pilot Assembly



Receiver



Remote Control Transmitter



TO TURN OFF GAS TO APPLIANCE

1. Slide the switch on the receiver to "OFF."
2. Press ON/OFF button on remote control transmitter to "OFF."
3. Turn off all electric power to the appliance if service is to be performed.
4. Close the main line gas shut-off valve.



WARNING



**HOT GLASS WILL CAUSE BURNS.
DO NOT TOUCH GLASS UNTIL COOLED.
NEVER ALLOW CHILDREN TO TOUCH GLASS.**

VERIFYING APPLIANCE OPERATION
(CONTINUED)

ADJUSTING THE AIR SHUTTER

Note: Before adjusting the air shutter, the glass door assembly must be in place and secured.

Flame Appearance and Sooting

Proper flame appearance is a flame that is blue at the base and becomes yellowish-orange in the body of the flame. When the appliance is first lit, the entire flame may be blue and will gradually turn yellowish-orange during the first 30 minutes of operation. After 30 minutes of operation, if the flame is blue, or if the flame is orange with evidence of sooting (black tip), the air shutter opening may need to be adjusted.

If the air shutter opening is closed too far, sooting may develop. Sooting is indicated by black puffs developing at the tips of very long orange flames. Sooting results in black deposits forming on the appliance inside surfaces and on exterior surfaces adjacent to the vent termination.

Sooting is caused by incomplete combustion in the flames and lack of combustion air entering the air shutter opening. To achieve a warm yellowish-orange flame with an orange body that does not soot, the shutter opening must be adjusted between these two extremes.

Air Shutter Adjustment Guidelines

- If there is smoke or soot present, first ensure that the flames are not impinging on any of the panels. If the panels are properly positioned and a sooting condition still exists, increase the air shutter opening.
- The more offsets in the vent system, the larger the air shutter opening will need to be.
- An appliance operated with the air shutter opened too far may have flames that appear blue and transparent.
- Propane models may exhibit flames that candle or appear stringy. If this is present and persists, adjust the air shutter to a more OPEN position, then operate the appliance for a few more minutes to ensure that the flame normalizes and the flames do not appear sooty.

⚠ WARNING

- Air shutter adjustment should only be performed by a qualified professional service technician.
- Ensure front glass panel is in place and sealed during adjustment.



Figure 53: Proper Flame Appearance

Air Shutter Adjustment Lever
(Below door assembly)

If optional Bezel and Surround are installed, the Bezel must be removed (Page 29) to access the Air Shutter Adjustment Lever. Also remove the Surround, if necessary (Page 33).

[DETAIL]

Figure 54

The following chart is provided to aid you in achieving the correct air shutter adjustment for your installation:

Air Shutter Adjustment Guidelines		
Amount of Primary Air	Flame Color	Air Shutter Adjustment
If air shutter is closed too far →	Flame will be orange →	Air shutter gap should be increased
If air shutter is open too far →	Flame will be blue →	Air shutter gap should be decreased

⚠ CAUTION

- Soot will be produced if the air shutter is closed too much. Any damage due to sooting resulting from improperly setting the air shutter is not covered under the warranty.
- The air shutter door and nearby appliance surfaces are hot. Exercise caution to avoid injury while adjusting flame appearance.

Air Shutter Adjustment Procedure

To adjust the air shutter for proper flame appearance (as illustrated in Figure 53):

1. Before adjusting the air shutter, allow the burner to operate for at least 30 minutes while observing the flame.
 2. Adjust the air shutter using the lever on the lower right side of the firebox (Figure 54).
 - For more CLOSED air shutter, PULL lever OUT (toward front of fireplace).
 - For more OPEN air shutter, PUSH lever IN (toward back of fireplace).
- If the flame appears sooty, adjust the air shutter until proper flame appearance is achieved.
 - If the flame stays blue, gradually adjust the air shutter to a more CLOSED position until proper flame appearance is achieved.

FINISH AND TRIM

INTERIOR WALL FINISH

A minimum 1" (25 mm) clearance is required from the door frame outer edge to any finish material.

Note: NEVER install combustible material (wall finish, surround, trim, etc.) on, in front of, or overlapping any part of the appliance front face.

See Page 4 for Cold Climate Insulation and Page 6 for Clearances.

Wall Finish Requirements for Cleanface Finish (without optional Surround and Bezel)

- TOP/BOTTOM NAILING FLANGES:** Make sure TOP and BOTTOM Nailing Flanges are attached to fireplace in the correct VERTICAL position for **Cleanface Finish** and the correct HORIZONTAL position for the wall finish material thickness (**Page 9**).
- LEFT/RIGHT SIDE NAILING FLANGES:** Make sure the LEFT and RIGHT SIDE Nailing Flanges are **installed** (see **Figure 55**).
Note: Fireplace ships from factory with the all nailing flanges installed.
- LEFT/RIGHT FILLER/ANGLE BRACKETS:** Make sure the two Filler/Angle Brackets are **installed** (ref. **Figure 58, next page**).
Note: Fireplace ships from factory with both Filler/Angle Brackets installed.
- NON-COMBUSTIBLE FIBER BOARD:** See **Figures 55 (this page) and 56 (next page)**. Attach the longer piece of fiber board to the TOP Nailing Flange, and secure using field-supplied screws. Attach the two shorter pieces of fiber board VERTICALLY to the LEFT and RIGHT SIDE Nailing Flanges using field-supplied screws through the counter-sunk holes in the fiber board.

Note: The provided Non-Combustible Fiber Board may be faced with any NON-combustible finish material appropriate for use (brick, tile, stone, high-temperature paint*, etc.).

- INTERIOR WALL FINISH:** Cover the lower portion of the fireplace with finish material.
- Skim-coat all drywall, and mud all joints.
Note: If skimming the provided Fiber Board to match drywall, use Sheetrock® brand Durabond® 90 setting-type joint compound to fill all joints.
***For painted wall finish, use two (2) coats of quality primer and high-temperature paint on provided Fiber Board.**
- DOOR:** After finishing all interior walls, install the Glass Door Assembly, if not already done (see **Page 28**).

The following trademarks are owned by United States Gypsum Company or a related company: Durabond, Sheetrock.

Wall Finish Requirements when Installing Optional Surround/Bezel

- TOP/BOTTOM NAILING FLANGES:** Make sure TOP and BOTTOM Nailing Flanges are attached to fireplace in the correct VERTICAL position for **Surround/Bezel Finish** and the correct HORIZONTAL position for the wall finish material thickness (see **Page 9**).
- LEFT/RIGHT SIDE NAILING FLANGES:** REMOVE the LEFT and RIGHT SIDE Nailing Flanges (see **Figure 56**), and discard using appropriate disposal methods.
- LEFT/RIGHT FILLER/ANGLE BRACKETS:** REMOVE the two Filler/Angle Brackets (see **Figure 56**), and discard using appropriate disposal methods.
- NON-COMBUSTIBLE FIBER BOARD:** See **Figures 56 (this page) and 57 (next page)**. Attach the TOP Non-Combustible Fiber Board to the TOP Nailing Flange, and secure using field-supplied screws. Discard the two smaller SIDE Non-Combustible Fiber Boards (not used with Surround).

Note: The provided Non-Combustible Fiber Board may be faced with any NON-combustible finish material appropriate for use (brick, tile, stone, high-temperature paint*, etc.).

- INTERIOR WALL FINISH:** Cover the lower portion of the fireplace with finish material.
- Skim-coat all drywall, and mud all joints.
Note: If skimming the provided Fiber Board to match drywall, use Sheetrock® brand Durabond® 90 setting-type joint compound to fill all joints.
***For painted wall finish, use two (2) coats of quality primer and high-temperature paint on provided Fiber Board.**
- DOOR:** After finishing interior walls, install the Glass Door Assembly, if not already done (**Page 28**).
- SURROUND:** Attach the Surround, and secure using the nine (9) screws provided with the Surround Kit (**Figure 56**).
- BEZEL:** Attach the Bezel to the Glass Door Assembly, if not already done (**Page 29**).

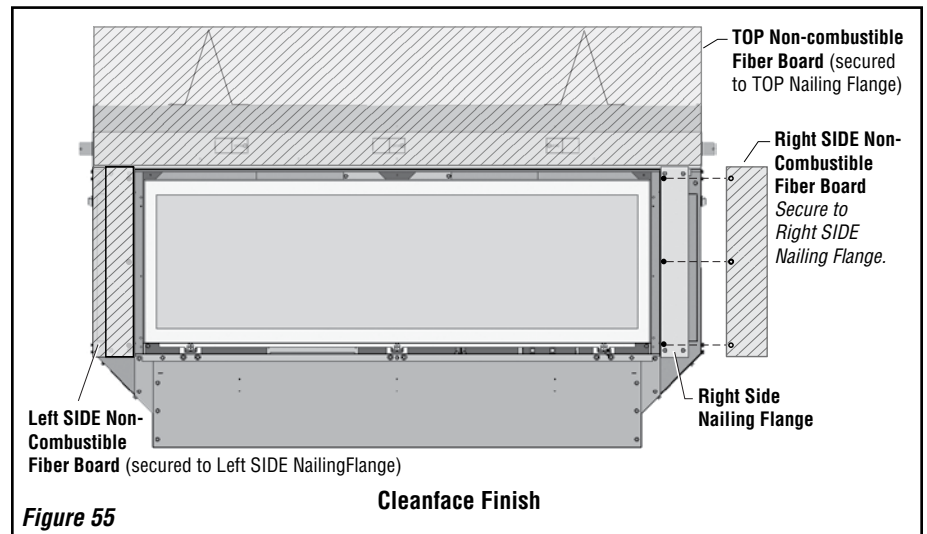


Figure 55

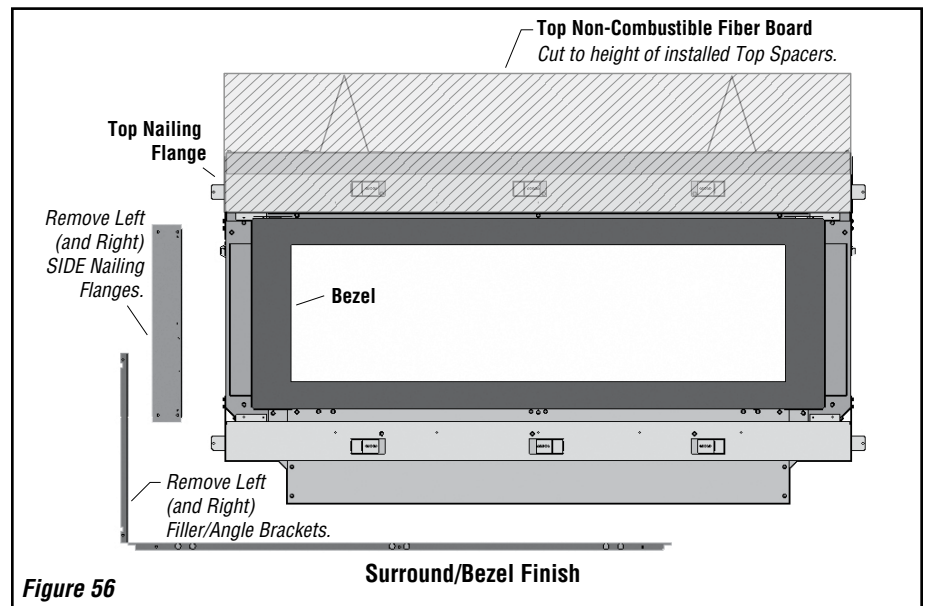


Figure 56

NOTE: DIAGRAMS & ILLUSTRATIONS ARE NOT TO SCALE.

FINISH AND TRIM (CONTINUED)

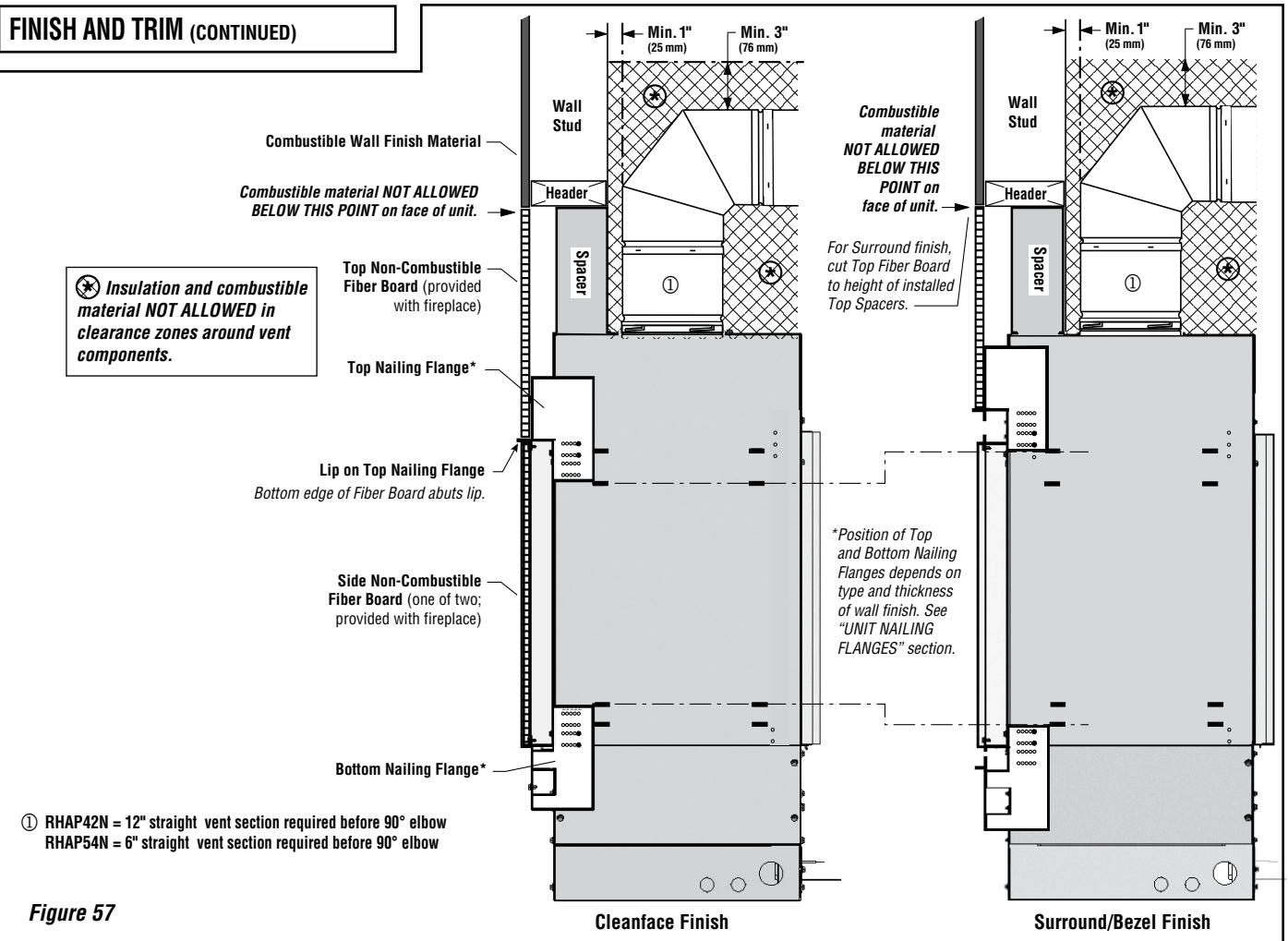
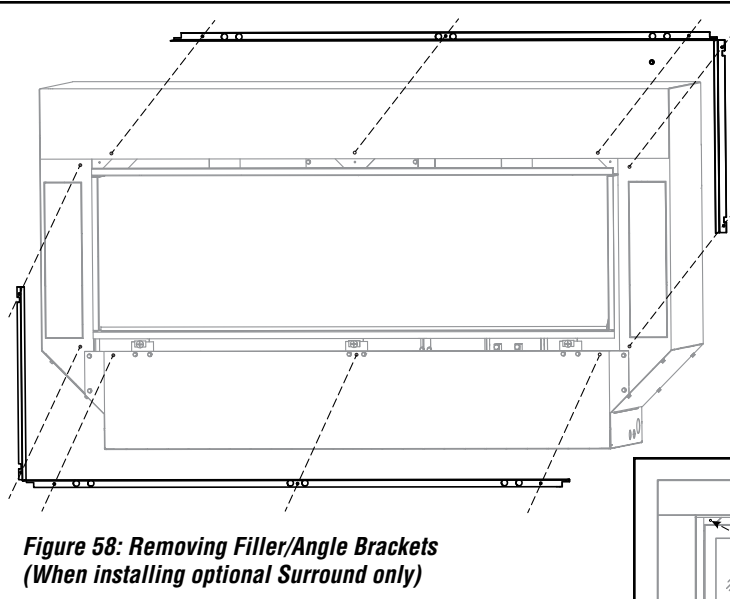
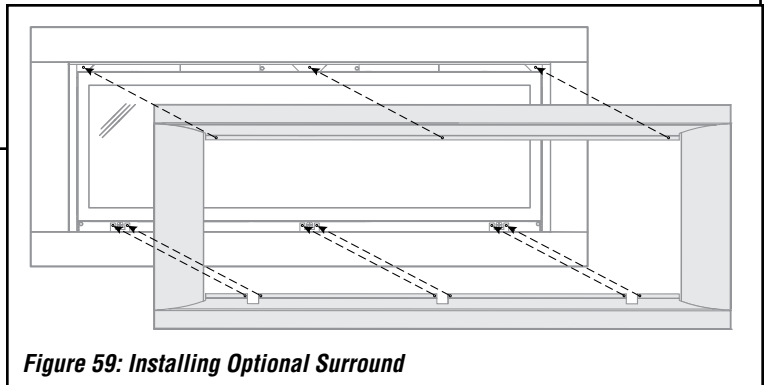


Figure 57



Removing Filler/Angle Brackets (when installing Surround/Bezel)
IMPORTANT!

- Remove filler brackets when installing Surround/Bezel ONLY. Do NOT remove filler brackets for Cleanface Finish, as they are required for proper combustion.
- Nailing flanges were omitted in illustration for clarity only (it is NOT necessary to remove nailing flanges when removing filler brackets).



ATTACHING WARNING LABELS

INSTALLER INSTRUCTIONS - ATTACHING SAFETY IN OPERATION WARNINGS

It is the installers responsibility to ensure these warnings are properly affixed during installation. These warning labels are a critical step in informing consumers of safe operation of this appliance.

ATTACHING SAFETY IN OPERATION WARNINGS

It is required that the set of safety instruction labels that have been furnished with the fireplace be affixed to the operation and control points of the fireplace. A safety instruction label must be affixed to the receiver wall switch plate where the fireplace is turned on and off (See **Figure A**) and on the remote control handheld transmitter (See **Figure B**). To properly complete the installation of this fireplace, locate the multi-lingual adhesive labels provided with the Care and Operation Instructions and proceed as follows:

1. Locate the wall receiver that controls the fireplace (verify the switch operates the fireplace by turning it on and off). Clean the wall receiver plate thoroughly to remove any dust and oils. Affix the label to the surface of the plate of the wall receiver that controls the fireplace (**Figure A**). Choose the language primarily spoken in the home. If unknown, affix the English language label.
2. Locate the remote control transmitter and clean it thoroughly to remove any dust and oils. Affix the label to the surface of handheld transmitter (**Figure B**). Choose the language primarily spoken in the home. If unknown, affix the English language label.
3. If you are unable to locate the labels, please call Lennox Hearth Products or your nearest Lennox Hearth Products dealer to receive additional safety instruction labels free of charge.

Cat. No. H8024 Replacement Label Kit

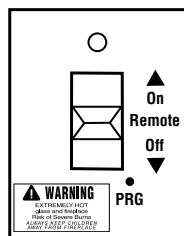
LENNOX HEARTH PRODUCTS
1-800-655-2008

Note: English is red text on clear label. French and Spanish are white text on black label.

SAFETY LABEL DIAGRAMS



Figure A



APPOSITION DES MISES EN GARDE RELATIVES À LA SÉCURITÉ D'UTILISATION

Il est impératif que le jeu d'étiquettes de sécurité qui ont été fournies avec le foyer soient collées à côté des dispositifs de contrôle du foyer. Une étiquette de sécurité doit être collée sur la plaque du récepteur mural contrôlant l'allumage du foyer (voir **Figure A**) et sur le boîtier de la télécommande (**Figure B**). Pour achever l'installation correcte de ce foyer, procédez comme suit avec les étiquettes adhésives en langues étrangères fournies avec les instructions d'utilisation et d'entretien :

1. Repérez le récepteur mural qui contrôle le foyer (vérifiez que l'interrupteur contrôle le fonctionnement du foyer en le faisant basculer de Marche à Arrêt, et vice-versa). Nettoyez soigneusement la plaque du récepteur mural pour éliminer la poussière et les traces de graisse ou d'huile. Collez l'étiquette sur la surface de la plaque du récepteur mural qui contrôle le foyer (**Figure A**). Choisissez la langue qui est principalement parlée dans la résidence du propriétaire. En cas de doute, collez l'étiquette en anglais.
2. Repérez la télécommande et nettoyez-la soigneusement pour éliminer la poussière et les traces de graisse ou d'huile. Collez l'étiquette sur le boîtier de la télécommande (**Figure B**). Choisissez la langue qui est principalement parlée dans la résidence du propriétaire. En cas de doute, collez l'étiquette en anglais.
3. Si vous ne trouvez pas les étiquettes, veuillez appeler Lennox Hearth Products ou votre distributeur Lennox Hearth Products local pour recevoir gratuitement des étiquettes supplémentaires.

Étiquettes de remplacement, n° cat. H8024

LENNOX HEARTH PRODUCTS
1-800-655-2008

Remarque : Le texte anglais est rouge sur un support transparent. Le texte français et espagnol est blanc sur un support noir.

DIAGRAMMES DES ÉTIQUETTES DE SÉCURITÉ



Figure B



COLOCACIÓN DE ADVERTENCIAS DE SEGURIDAD EN OPERACIÓN

Se requiere que el juego de etiquetas de instrucciones de seguridad que se incluyeron con la chimenea se coloque en los puntos de operación y control de la misma. Se debe colocar una etiqueta de instrucciones de seguridad en la placa del interruptor de pared del receptor desde el cual se enciende y se apaga la chimenea (ver la **Figura A**) y en el transmisor de control remoto (ver la **Figura B**). Para completar correctamente la instalación de esta chimenea, encuentre las etiquetas adhesivas multilingües incluidas con las instrucciones de cuidado y operación y haga lo siguiente:

1. Identifique el receptor de pared que controla la chimenea (verifique que el interruptor opera la chimenea encendiéndola y apagándola). Limpie bien la placa del receptor de pared para quitar el polvo y aceite. Pegue la etiqueta en la superficie de la placa del receptor de pared que controla la chimenea (**Figura A**). Seleccione el idioma que más se habla en la casa. Si no sabe cuál es, use la etiqueta en inglés.
2. Identifique el transmisor de control remoto y límpielo bien para quitar el polvo y aceite. Pegue la etiqueta en la superficie del transmisor (**Figura B**). Seleccione el idioma que más se habla en la casa. Si no sabe cuál es, use la etiqueta en inglés.
3. Si no puede encontrar las etiquetas, sírvase llamar a Lennox Hearth Products o al distribuidor de Lennox Hearth Products más cercano para recibir etiquetas de instrucciones de seguridad adicionales gratuitas.

Juego de etiquetas de repuesto - N° de cat. H8024

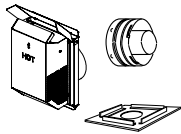
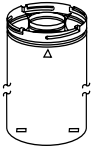

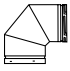
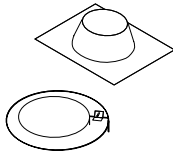
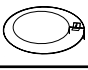

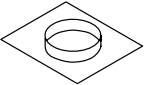
LENNOX HEARTH PRODUCTS
1-800-655-2008

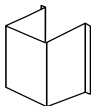
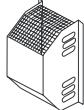
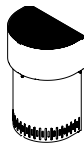
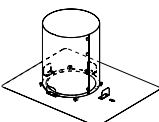

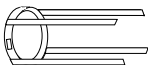
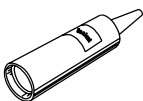
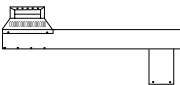
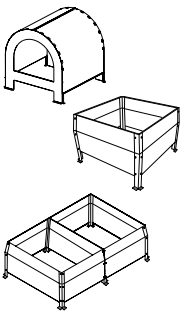
Nota: La etiqueta en inglés es transparente con texto rojo. Las etiquetas en francés y español son negras con texto blanco.

DIAGRAMAS DE ETIQUETAS DE SEGURIDAD

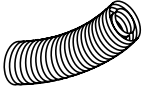

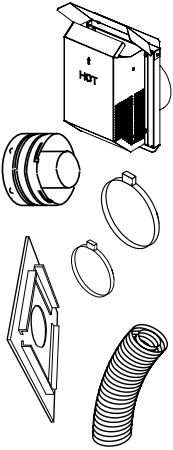
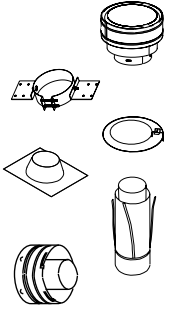

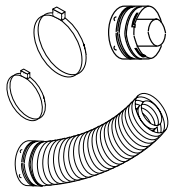


INSTALLATION ACCESSORIES

Listed Secure Vent® Components			
	Cat. No.	Model	Description
	H1968	SV4.5HT-2	Horizontal Termination with Firestop/Spacer (H2246) and Adaptor (74L61)
	77L70	SV4.5L6	Straight, 6-inch (152 mm)
	77L71	SV4.5L12	Straight, 12-inch (305 mm)
	77L72	SV4.5L24	Straight, 24-inch (610 mm)
	77L73	SV4.5L36	Straight, 36-inch (914 mm)
	77L74	SV4.5L48	Straight, 48-inch (1219 mm)
	77L75	SV4.5LA	Telescopic Length Slip Section (2" to 7-1/2" rigid)
	77L76	SV4.5E45	Elbow, 45-degree
	77L77	SV4.5E90	Elbow, 90-degree
The following flashings come packaged with a storm collar:			
	77L78	SV4.5F	Flat Roof Flashing
	77L79	SV4.5FA	1/12 to 7/12 Adjustable Flashing
	77L80	SV4.5FB	7/12 to 12/12 Adjustable Flashing
	77L81	SV4.5SC6	Storm Collar (6 per box)
	H6183	SV4.5HF5	Firestop/Spacer, 5", rigid
	H6184	SF4.5HF5	Firestop/Spacer, 5", flex
	H2246	SV4.5HF-10	Firestop/Spacer, Horizontal, rigid (3-1-1 spacing) [10-pk]
	H2247	SV4.5VF-10	Firestop/Spacer-Vertical, rigid (1-1-1 spacing) [10-pk]
	96K92	SV4.5SP	Support Plate

Listed Secure Vent Components			
	Cat. #	Model	Description
	17M52	SV4.5HGS-1	Termination Guard, Square [1-pk] (ref. manual 750109M)
	17M53	SV4.5HGS-12	Termination Guard, Horizontal [12-pk] (ref. manual 750109M)
	87L02	SV4.5HGS	Termination Guard for Horizontal Termination (Deluxe) [1-pk] (ref. manual 750055M)
	H5820	SV4.5HTSK	Termination Shroud (Guard) for Horizontal Termination [1-pk] (ref. manual 750246M)
	H5816	SV4.5-TWSK10	Through Wall Shield Kit (to shield direct-vent pipe from blown insulation) (ref. manual 750247M)
	H3907	SV4.5ARSA	Attic Insulation Shield, adjustable height, 12"-22"
	96K93	SV4.5SU	Support Strap
	10K81	SFMP	Mill-Pac, Black, High-Temp. Sealant [1-pk]
	89L40	SFMP-12	Mill-Pac, Black, High-Temp. Sealant [12-pk]
	99L02	SV4.5HRK14	Horizontal Riser Kit, 14", (ref. manual 750146M)
	99L03	SV4.5HRK36	Horizontal Riser Kit, 36", (ref. manual 750146M)
	H1988	CTSA-33	Chase Top Shroud Kit, Arch Top, 3 x 3 ft. (ref. manual 750194M)
	H1985	CTSO-33	Chase Top Shroud Kit, Open Top, 3 x 3 ft. (ref. manual 750193M)
	H1987	CTSO-44	Chase Top Shroud Kit, Open Top, 4 x 4 ft. (ref. manual 750193M)
	H1986	CTSO-46	Chase Top Shroud Kit, Open Top, 4 x 6 ft. (ref. instr. 750193M)

INSTALLATION ACCESSORIES
(CONTINUED)

Listed Secure Flex® Components			
	Cat. #	Model	Description
Termination kits include firestop/spacer, gear clamps, and flex adaptor.			
	60L10	SF-18	18 feet (5.49 m)* compressed flex <i>(ref. manual 750053M)</i>
	98K03	SF-12	12 feet (3.66 m)* compressed flex <i>(ref. manual 750052M)</i>
	H2248	SF4.5HF-10	Firestop/Spacer, Horiz., flex (3-1-1 spacing), 10-pk
	H2249	SF4.5VF-10	Firestop/Spacer, Vertical, flex (1-1-1 spacing), 10-pk
	H1969	SF4.5HT-2	Horiz. Termination for flex (without flex)
	77L87	SFKIT12S	Horiz. Termination for flex (with 12 inch [305 mm]* compressed flex)
	77L88	SFKIT18S	Horiz. Termination for flex (with 18 inch [457 mm]* compressed flex)
	77L89	SFKIT24S	Horiz. Termination for flex (with 24 inch [610 mm]* compressed flex)
	77L90	SFKIT36S	Horiz. Termination for flex (with 36 inch [914 mm]* compressed flex)
	77L91	SFKIT48S	Horiz. Termination for flex (with 48 inch [1219 mm]* compressed flex)
	56L74	SFVT30	Vertical Termination for flex (flat to 6/12) with flex adaptor, section of rigid vent, roof support collar assembly, roof flashing and storm collar <i>(ref. manual 750052M)</i>
	56L75	SFVT45	Vertical Termination for flex (6/12 to 12/12) with flex adaptor, section of rigid vent, roof support collar assembly, roof flashing, and storm collar <i>(ref. manual 750052M)</i>
	91L66	SFGC4-6	Gear Clamp 4.5 in. (114 mm) for flex , 6-pk
	91L67	SFGC7-6	Gear Clamp 7.5 in. (190.5 mm) for flex , 6-pk
	H7748	H7748	36" Flex Connector Kit. (36" of flex with two adaptors for mating two rigid sections of vent together.)

*All compressed flex vents can be expanded up to two times.

GAS CONVERSION KIT

A gas conversion kits is available to adapt your appliance from natural gas to liquid propane. The kit contains all necessary components, including labeling that must be affixed to ensure safe operation.

Refer to the instructions and warnings provided with the conversion kit when performing any gas conversion.

Gas Conversion Kit		
Kit Model No.	Kit Cat. No.	Description
GCK-RHAP-NP	H8540	Conversion Kit 54-42, NG to LP
<i>(Gas Conversion Kit manual 506019-90)</i>		

REPLACEMENT PARTS

Ordering Replacement Parts

Use only parts supplied from the manufacturer.

With proper care and maintenance, your appliance will provide many years of enjoyment. If you experience any problem, first refer to the troubleshooting guide in this manual. If the problem persists or you have any questions about your fireplace system, contact your Lennox Hearth Products dealer or distributor.

Order parts through your Lennox Hearth Products dealer or distributor. Parts will be shipped at prevailing prices at time of order.

When ordering parts, please provide the following information:

1. Appliance model number.
2. Appliance serial number.
3. Part number.
4. Part description.
5. Quantity required.
6. Appliance installation date.

(Continued on next page)

WARNING

Failure to position the parts in accordance with these diagrams or failure to use only parts specifically approved with this appliance may result in property damage or personal injury.

AVERTISSEMENT

Risque de dommages ou de blessures si les pièces ne sont pas installées conformément à ces schémas et ou si des pièces autres que celles spécifiquement approuvées avec cet appareil sont utilisées.

REPLACEMENT PARTS (CONTINUED)
Replacement Parts List

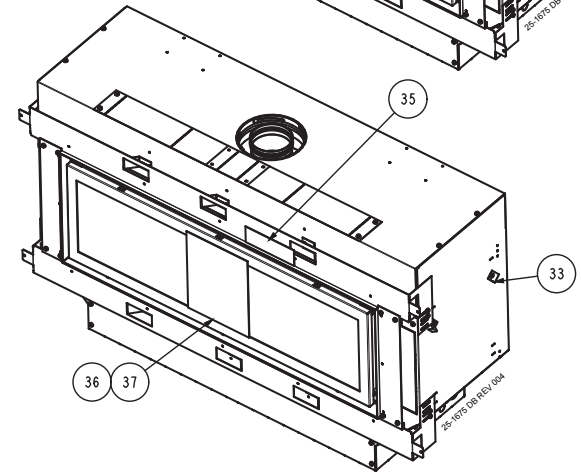
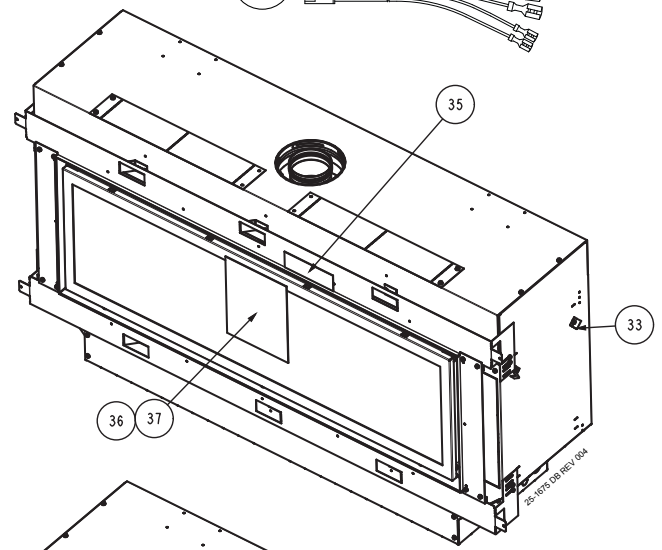
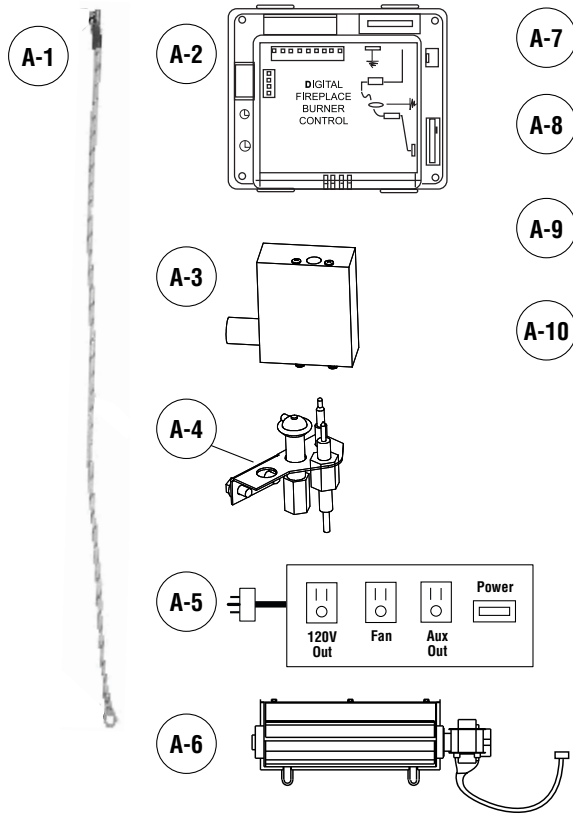
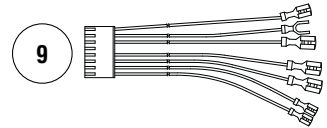
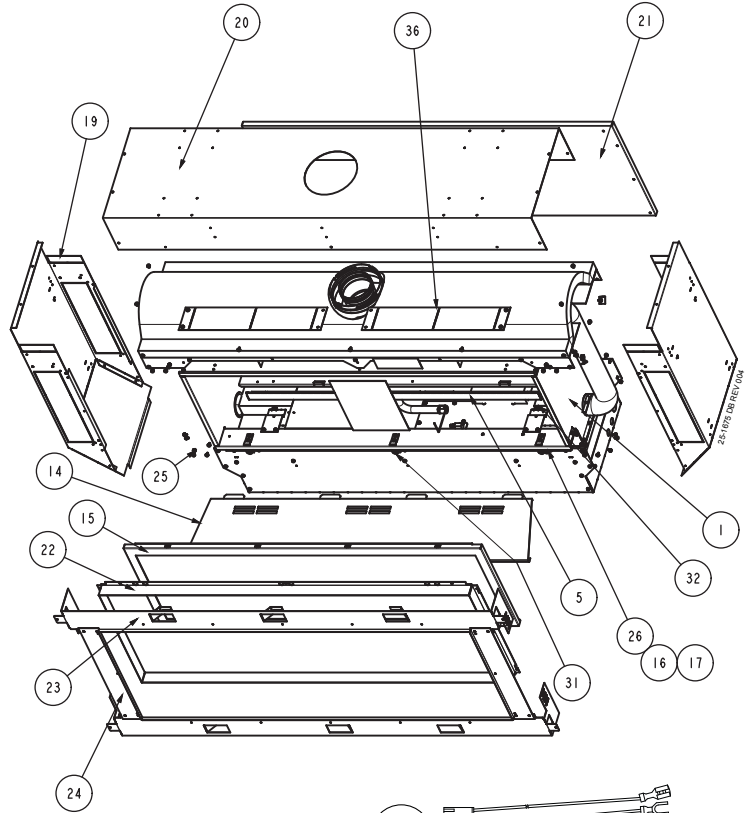
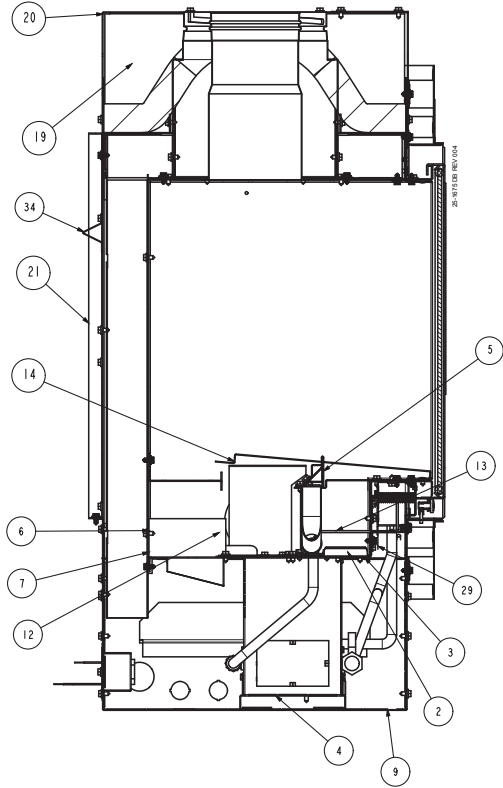
Contact an Lennox Hearth Products dealer to obtain any of these parts. Never use substitute materials. Use of non-approved parts can result in poor performance and safety hazards and may void the warranty.

Item No.	Description	Catalog No.		Qty.
		RHAP42	RHAP54	
2	Door, Control Compartment Access	H8435		1
3	Gasket, Control Compartment Access Door	H8436		1
4	Orifice, #32, NG	-----	37L82	1
4	Orifice, #51, LP	-----	H8303	1
4	Orifice, #40, NG	69L96	-----	1
4	Orifice, #54, LP	99K79	-----	1
5	Burner Assembly	H8794	H8432	1
6	Transmitter (Remote Control Kit)	H7275		1
7	Receiver (Remote Control Kit)	H7277		1
9	DFC Wire Harness	H8330		1
14	Baffle, Top, Linear	H8787	H8583	1
15	Door Assembly (Fireplace Glass Enclosure)	H8799	H8431	1
A-1	Ground Wire	H7278		1
A-2	DFC Ignition Board	H7272		1
A-3	Gas Valve, NG	H7270		1
	Gas Valve, Propane	H7271		1
A-4	Pilot Assembly, NG	H7268		1
	Pilot Assembly, Propane	H7269		1
A-5	Fan Control Module	H7274		1
A-6	Blower Assembly FBK-100	80L84		1
A-7	SIM Flame (module only)	H8439		1
A-8	Light Bulb 25W	H8438		1
A-9	Latch, Door Assembly	H8433		1
A-10	Power Vent Control Module	H7367		1
--	Flex Gas Connector Assembly	93L32		1
--	Orifice Connector	H7847		1
--	ON/OFF Switch	27K30		1
--	Light Harness, Panel Backlighting	H8440		1
--	Plug (Power) Harness	H8443		1
--	Non-combustible Board Kit (3-pc. kit)	H8788	H8447	Kit (3 pcs.)

REPLACEMENT PARTS (CONTINUED)

Replacement Parts Illustrations

Note: The only parts illustrated on this page that are offered as replacement parts are those listed on the previous page.



NOTES

Lennox Hearth Products reserves the right to make changes at any time, without notice, in design, materials, specifications, and prices, and also to discontinue colors, styles, and products. Consult your local distributor for fireplace code information.

LENNOX®, the LENNOX design, DAVE LENNOX, the image of DAVE LENNOX and other related LENNOX marks are registered or common law trademarks of Lennox Industries Inc. and are used with permission.

Printed in U.S.A. © 2012 Lennox Hearth Products LLC

