

This Owner's Manual is provided and hosted by [Appliance Factory Parts](#).



# Black & Decker BHFEV182C Owner's Manual

[Shop genuine replacement parts for Black & Decker  
BHFEV182C](#)



[Find Your Black & Decker Vacuum Cleaner Parts - Select From 339 Models](#)

----- Manual continues below -----



[www.blackanddecker.eu](http://www.blackanddecker.eu)

**BHFEV182B**  
**BHFEV182C**  
**BHFEV182CP**

EN

DE

FR

IT

NL

ES

PT

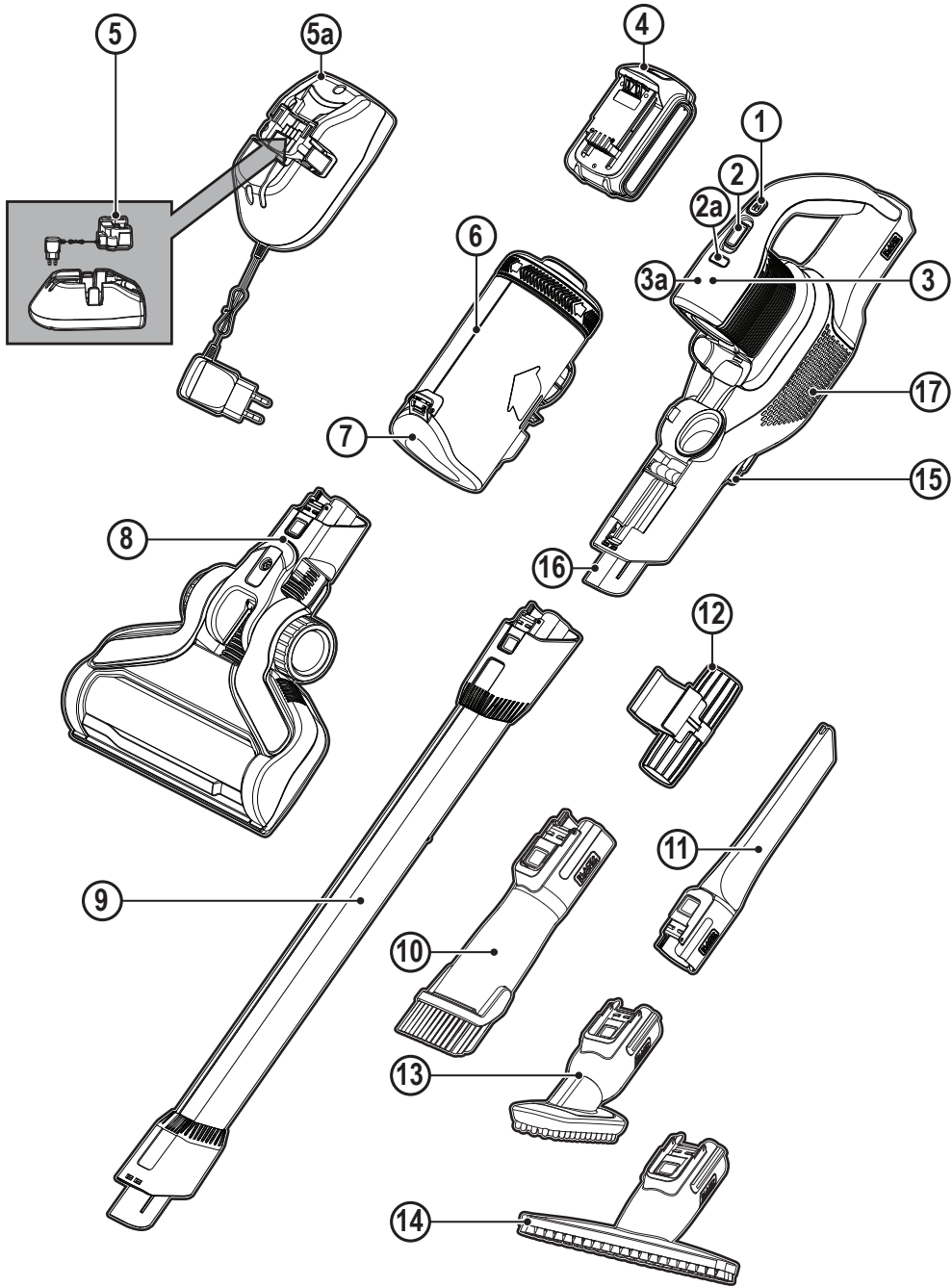
SV

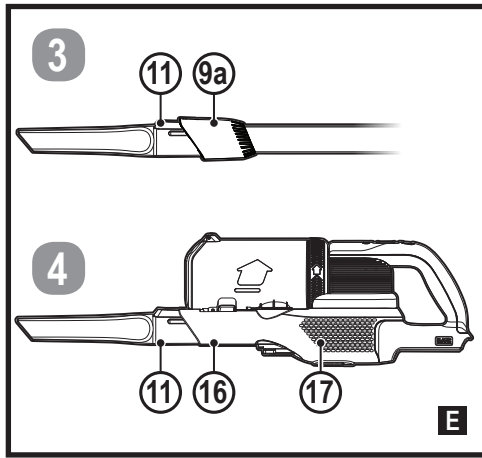
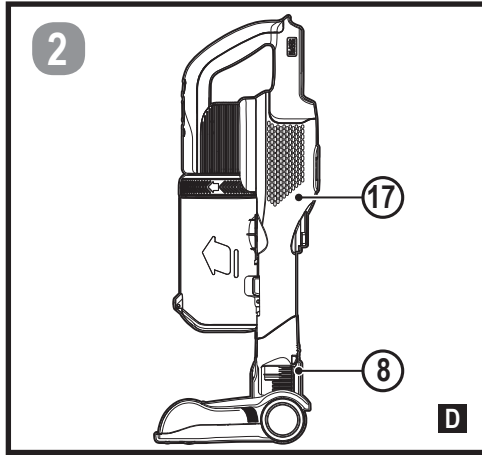
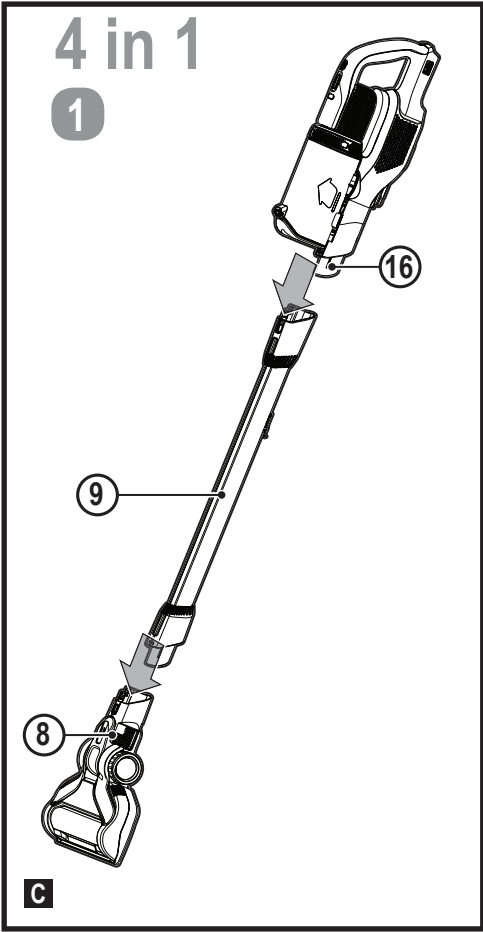
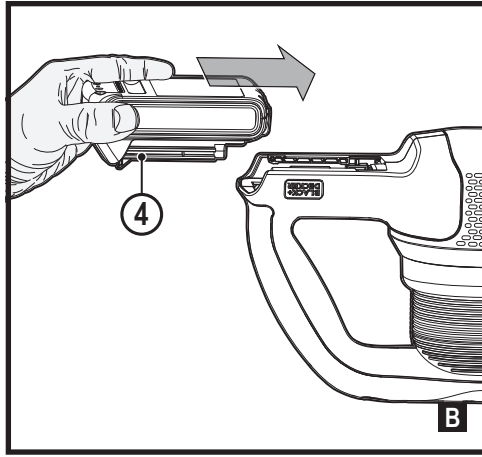
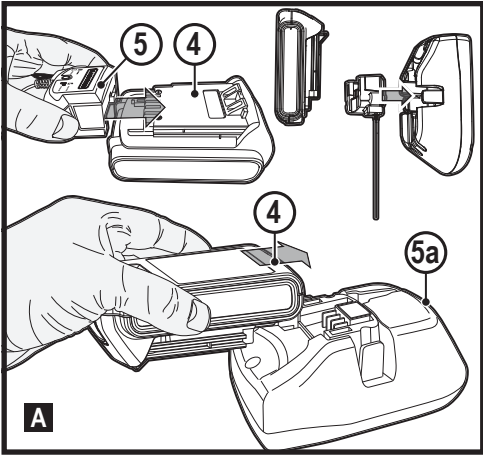
NO

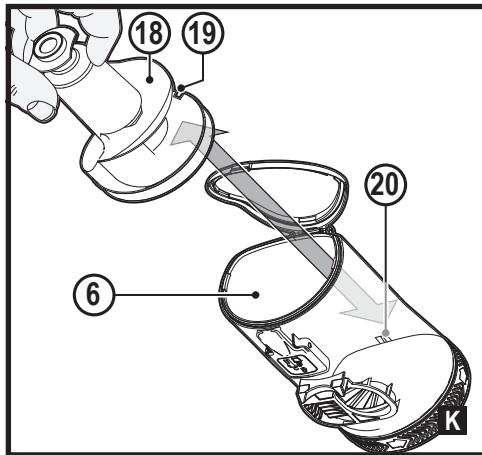
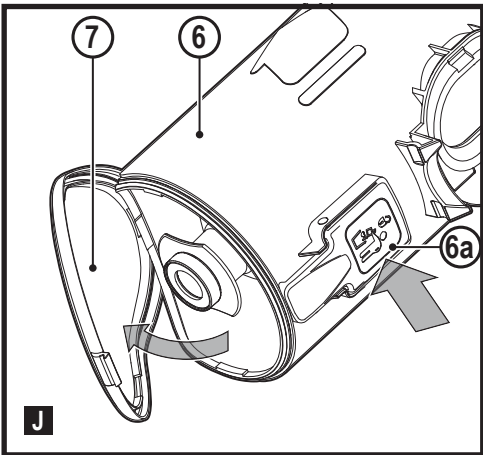
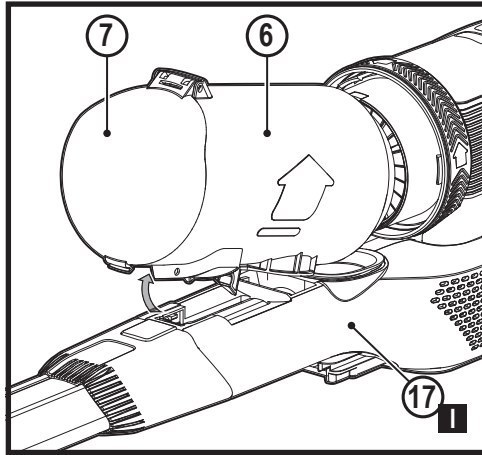
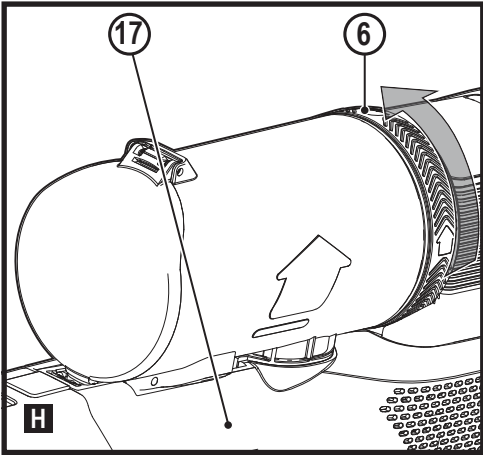
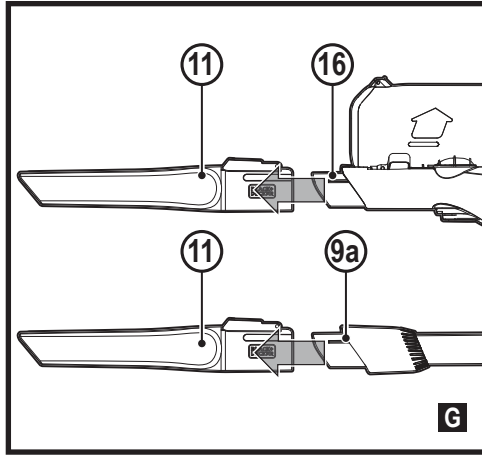
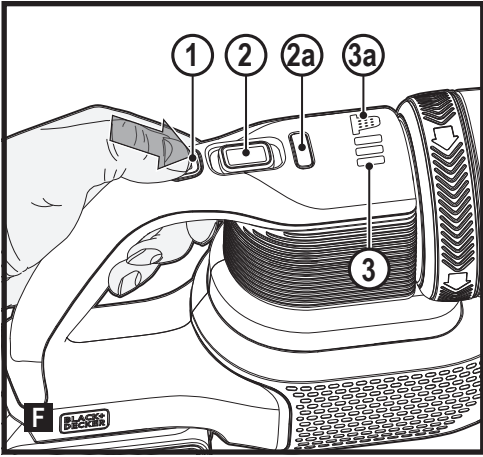
DK

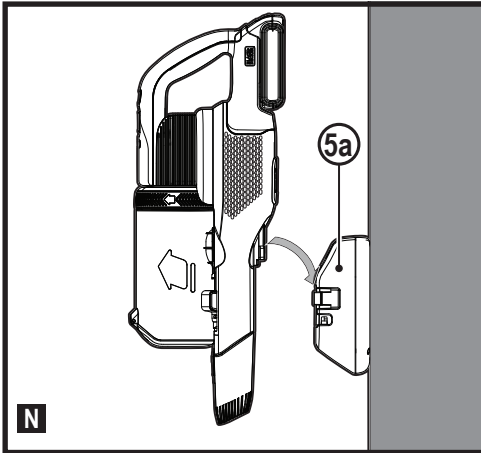
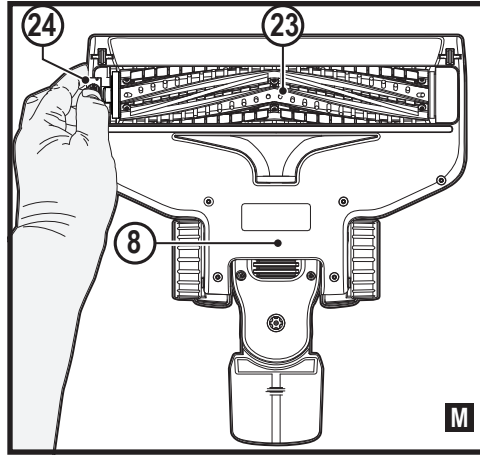
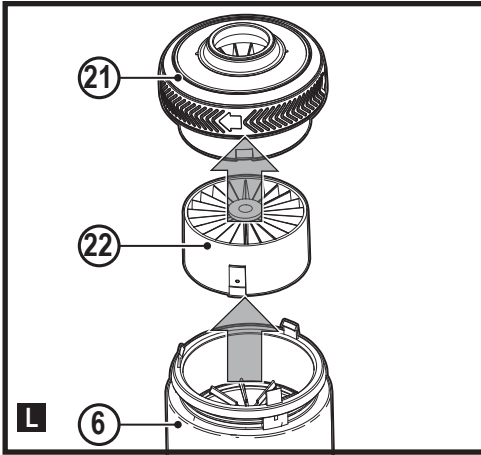
FI

EL









#### Intended use

Your BLACK+DECKER BHFEV182B, BHFEV182C, BHFEV182CP 4 in 1 cordless vacuum cleaners have been designed for vacuum cleaning purposes. These appliances are intended for household use only.



Read all of this manual carefully before operating the appliance.

#### Safety instructions



**Warning! Read all safety warnings and all instructions.**

Failure to follow the warnings and instructions listed below may result in electric shock, fire and/or serious injury.

- ◆ The intended use is described in this manual. The use of any accessory or attachment or the performance of any operation with this appliance other than those recommended in this instruction manual may present a risk of personal injury.
- ◆ Retain this manual for future reference.

#### Using your appliance

- ◆ Do not use the appliance to pick up liquids or any materials that could catch fire.
- ◆ Do not use the appliance near water.
- ◆ Do not immerse the appliance in water.
- ◆ Never pull the charger lead to disconnect the charger from the socket. Keep the charger lead away from heat, oil and sharp edges.

- ◆ This appliance can be used by children aged from 8 years and above and persons with reduced physical, sensory or mental capabilities or lack of experience and knowledge if they have been given supervision or instruction concerning use of the appliance in a safe way and understand the hazards involved. Children shall not play with the appliance.  
Cleaning and user maintenance shall not be made by children without supervision.

### Inspection and repairs

Before use, check the appliance for damaged or defective parts. Check for breakage of parts, damage to switches and any other conditions that may affect its operation.

- ◆ Do not use the appliance if any part is damaged or defective.
- ◆ Have any damaged or defective parts repaired or replaced by an authorized repair agent.
- ◆ Regularly check the charger lead for damage. Replace the charger if the lead is damaged or defective.
- ◆ Never attempt to remove or replace any parts other than those specified in this manual.

### Additional safety instructions

#### After use

- ◆ Unplug the charger before cleaning the charger or charging base.

- ◆ When not in use, the appliance should be stored in a dry place.
- ◆ Children should not have access to stored appliances.

### Residual risks

Additional residual risks may arise when using the tool which may not be included in the enclosed safety warnings. These risks can arise from misuse, prolonged use etc.

Even with the application of the relevant safety regulations and the implementation of safety devices, certain residual risks can not be avoided. These include:

- ◆ Injuries caused by touching any rotating/moving parts.
- ◆ Injuries caused when changing any parts, blades or accessories.
- ◆ Injuries caused by prolonged use of a tool. When using any tool for prolonged periods ensure you take regular breaks.
- ◆ Impairment of hearing.
- ◆ Health hazards caused by breathing dust developed when using your tool (example:- working with wood, especially oak, beech and MDF.)

### Chargers

Your charger has been designed for a specific voltage. Always check that the mains voltage corresponds to the voltage on the rating plate.

**Warning!** Never attempt to replace the charger unit with a regular mains plug.

- ◆ Use your BLACK+DECKER charger only to charge the battery in the appliance with which it was supplied.

Other batteries could burst, causing personal injury and damage.

- ◆ Never attempt to charge non-rechargeable batteries.
- ◆ If the supply cord is damaged, it must be replaced by the manufacturer or an authorised BLACK+DECKER Service Centre in order to avoid a hazard.
- ◆ Do not expose the charger to water.
- ◆ Do not open the charger.
  
- ◆ Do not probe the charger.
- ◆ The appliance/battery must be placed in a well ventilated area when charging.

## Electrical safety

### Symbols on the charger



Read all of this manual carefully before using the appliance.



This tool is double insulated; therefore no earth wire is required. Always check that the power supply corresponds to the voltage on the rating plate.



The charging base is intended for indoor use only.

### Labels on appliance

The following symbols appear on this appliance along with the date code



Read all of this manual carefully before using the appliance



BHFEV182B, BHFEV182C, BHFEV182CP  
use charger S010\*\*2400040 /  
SSC-250040\*\* SSC-250040\*\*

### Features

This tool includes some or all of the following features.

1. On/Off button
2. 3 speed power switch
- 2a. Beater bar activation button
3. State of charge indicator
- 3a. Filter sense

4. 18V Battery (available with units BHFEV182C, BHFEV182CP)
5. 18V cup charger and charging station (available with units BHFEV182C, BHFEV182CP)
6. Lift away dust canister with filter agitator
7. Dust canister door
8. Floor head
9. Extension tube
10. 2 in 1 Accessory tool (available to order through service department)
11. Crevice tool (available with units BHFEV182B, BHFEV182C, BHFEV182CP)
12. Accessory storage clip
13. Pet hair tool (available with units BHFEV182CP)
14. Wide mouth dust brush (available available to order through service department)
15. Charge port

### Charging a Battery

BLACK+DECKER chargers are designed to charge BLACK+DECKER battery packs.

**Note:** To ensure maximum performance and life of lithium ion battery packs:

- ◆ Charge the battery pack fully before first use.
- ◆ Recharge discharged batteries as soon as possible after every use.
- ◆ Do not discharge batteries fully.

The supplied charger offers three possible ways to charge your battery.

1. Standard cup charging only
2. Wall mounted cup charging
3. Wall mounted suspended charging

#### 1. Standard cup charging (Fig. A)

- ◆ Plug the charger (5) into an appropriate outlet before inserting the battery pack (4).
- ◆ Insert the battery pack into the cup charger.
- ◆ When using the the cup charger a green LED will flash indicating that the battery is being charged.
- ◆ The completion of charge is indicated by the green LED remaining on continuously. The pack is fully charged and may be used at this time or left on the charger.
- ◆ The cup charger can be inserted into the charging station (5a) as shown in figure A.

#### 2. Wall mounted battery charging

- ◆ Mark the location of the charging station (5a) screw holes on the wall (within reach of an electrical outlet) for charging the vacuum while it is on the charging station.
- ◆ Fix the charging station (5a) to the wall using appropriate screws and plugs for the type of wall, and weight of the appliance.
- ◆ Install the cup charger (5) into the charging station (5a). Ensure it is locked into place before proceeding.

**Note:** To remove the cup charger from the charging base pull out on the retaining tabs and lift the cup charger out.

- ◆ Plug the charger into an appropriate outlet before inserting the battery pack.
- ◆ Slide the battery pack onto the charging station.

### 3. Wall mounted vacuum storage and battery charging

The product can be attached to a wall to provide a convenient storage and charging point for the appliance.

When mounting to a wall, make sure the mounting method is suitable for the wall type and is appropriate to the weight of the appliance.

- ◆ Mark the location of the charging station screw holes on the wall (within reach of an electrical outlet for charging the vacuum while it is on the charging station).
- ◆ Fix the charging station to the wall using appropriate screws and plugs for the type of wall, and weight of the appliance.
- ◆ Install the cup charger into the charging station. Ensure it is locked into place before proceeding.

**Note:** To remove the cup charger from the charging base pull out on the retaining tabs and lift the cup charger out.

- ◆ Plug the charger into an appropriate outlet.
- ◆ With the battery installed on the vacuum, slide the charge port (15), located on the vacuum base, onto the rails of the charging station (5a).
- ◆ The white LED (3) on the vacuum will flash indicating that the battery is being charged.
- ◆ The LED sections increase as the battery is charged - when fully charged the LEDs go out. The pack is fully charged and may be used at this time or left on the charger.

#### Leaving the battery in the charger

The charger and battery pack can be left connected with the green LED glowing indefinitely. The charger will keep the battery pack fresh and fully charged.

#### To install battery pack (fig. B)

- ◆ Insert battery (4) into tool until an audible click is heard as shown in figure B.
- ◆ Ensure battery pack is fully seated and fully latched into position.

#### To remove battery pack

- ◆ Depress the battery release button and pull battery pack (4) out of the tool.

#### Assembly (Fig. C)

- ◆ Align the top of the extension tube (9) with the vacuum inlet (16) as shown in figure C.

- ◆ Push the extension tube (9) onto the vacuum inlet (16) so it locks into position.
- ◆ Align the bottom of the extension tube (9) with the floor head (8) as shown in figure C.
- ◆ Push the bottom of the extension tube (9) onto the floor head (8) so it locks into position.
- ◆ To remove an accessory, press the accessory release latch located on the accessory and pull it off.

#### USE

This vacuum cleaner can be used in one of four ways.

- ◆ With the extension tube (9) and the floor brush (8) as shown in figure C.
- ◆ With the floor brush (8) and the vacuum inlet (16) as shown in figure D.
- ◆ With the extension tube (9) and an accessory tool (10), (11), (13) or (14) as shown in figure E.
- ◆ With an accessory tool (10), (11), (13) or (14) and the vacuum inlet (16) as shown in figure E.
- ◆ Accessories not supplied with your unit can be ordered through service department.

#### Switching ON and OFF (Fig. F)

- ◆ To switch ON, press the On/Off button (1).
- ◆ For increased power, slide the variable power switch (2) forward.

**Note:** The floor brush (8) will power on when it is attached to the vacuum or extension tube (it can be switched off by pressing the button 2a on the display). The LED worklights on the front of the floor head will illuminate whenever the beater bar activation button (2a) is switched ON (they can be switched off by pressing the button again).

**Note:** The state of charge indicator LEDs (3) will illuminate while the vacuum is ON or during the charging process.

- ◆ To switch OFF, press the On/Off button (1).
- ◆ Return the product to the charger immediately after use so that it will be ready and fully charged for the next use. Ensure that the product is fully engaged with the charger plug.

#### Using an Accessory tool (Fig. G)

Your vacuum may come with some of the following tools.

- ◆ 2 in 1 Accessory tool (10)
- ◆ Crevice tool (11).
- ◆ Pet hair tool (13).
- ◆ Wide mouth dust brush (14).
- ◆ The accessory tool (10), (11), (13) or (14) can be fitted either directly to the extension tube (6) or to the vacuum inlet (5) as shown in Fig. J.
- ◆ Align the top of the accessory tool (10), (11), (13) or (14) with the vacuum inlet (16) or extension tube connection (9a) and push into place so it locks into position as shown in figure G.

		BHF5V 182B	BHF5V 182C	BHF5V 182CP
10	2 in 1 Accessory			
11	Crevice tool	✓	✓	✓
12	Accessory storage clip	✓	✓	✓
13	Pet hair tool			✓
14	Wide mouth dust brush			

- ◆ All available through service department

## Cleaning and emptying the vacuum

### Filter sense

Whenever a filter is Blocked and needs cleaning, the red filter LED (3) in the chassis will illuminate.

### Filter agitator (Fig. H)

With the lift away dust canister (6) off the chassis (17), rotate the filter agitator wheel 5 - 10 times to remove excessive dust from the filter thus increasing its performance.

**Note:** It is recommended that you agitate when the unit is emptied and the prefilter removed.

**Note:** Maximum dust collection will only be obtained with clean filters and an empty dust canister.

If dust begins to fall back out of the product after it is switched off, this indicates that the dust canister is full and requires emptying.

### To empty the dust canister (Fig. I, J)

- ◆ Lift and remove the lift away dust canister (6) from the chassis (17) as shown in figure I.
- ◆ Place the dust canister over a dust bin and press the dust canister lid release button (6a) to empty the dust canister as shown in figure J.
- ◆ Close the dust canister lid (7), until it "clicks" firmly into position.
- ◆ Install the lift away dust canister (6) back onto the chassis (17).

### Removing pre-filter (Fig. K)

- ◆ Lift and remove the lift away dust canister (6) from the chassis (17) as shown in figure I.
- ◆ Place the dust canister over a trash bin and press the dust canister lid release button (6a) to empty the dust canister as shown in figure J.
- ◆ Use your index finger and thumb to pinch the pre-filter (18), pull the pre-filter (18) from the dust canister (6) as shown in figure K.

**Note:** The filter housing fits snugly in the dust canister and may be difficult to remove at first.

- ◆ Empty the dust canister.
- ◆ Install the pre-filter (18) into the dust canister (6) ensuring the dust canister tab (20) aligns with the prefilter slot (19) as shown in figure K.

- ◆ Install the dust canister onto the vacuum, until it "clicks" firmly into position.

### Removing filter (Fig. L)

- ◆ Lift and remove the lift away dust canister (6) from the chassis (17) as shown in figure I.
- ◆ Place the dust canister over a trash bin and press the dust canister lid release button (6a) to empty the dust canister as shown in figure J.
- ◆ Grasp the agitator wheel housing (21) and pull up to remove.
- ◆ Remove the filter (22), from the agitator wheel housing (21) as shown in figure L.
- ◆ Shake off or lightly brush any loose dust from the filter.
- ◆ Install the filter (22), into the agitator wheel housing (21).
- ◆ Install the agitator wheel housing (21) onto the dust canister, until it "clicks" firmly into position.

### Cleaning the filters

- ◆ Once the filter and pre-filter are removed from the dust canister shake off or lightly brush any loose dust from the pre-filter and filter.
- ◆ Rinse out the dust canister (6) with warm soapy water.
- ◆ Wash the filters with warm soapy water.
- ◆ Ensure the filters are completely dry (24 hrs) before refitting.
- ◆ Follow instructions in the "Removing pre-filter and Removing filter" sections for assembly instructions.

**Note:** Maximum dust collection will only be obtained with clean filters and an empty dust canister.

If dust begins to fall back out of the product after it is switched off, this indicates that the dust canister is full and requires emptying or that there is a blockage somewhere.

- ◆ Wash the filters regularly using warm, soapy water and ensure that it is completely dry before using again. The cleaner the filter is, the better the product will perform.
- ◆ It is very important that the filters are completely dry and correctly in position before use.

### Removing and clearing the rotary brushes (Fig. M)

**Warning!** To reduce the risk of injury from moving parts, disconnect battery before cleaning or servicing.

- ◆ To remove the rotary brush (23) from the floor head (8) depress the release button (24) as shown in figure M.
- ◆ Lift the rotary brush from its locked position.
- ◆ The rotary brush (23) can now be removed.
- ◆ Clean the rotary brush, and reinstall. Ensure it is secured in its locked position before operating.

## Storage

The unit can be safely stored using the charging station (5a) as shown in figure N.

## Maintenance

Your BLACK+DECKER cordless appliance has been designed to operate over a long period of time with a minimum of maintenance. Continuous satisfactory operation depends upon proper tool care and regular cleaning.

**Warning!** Before performing any maintenance on cordless appliances:

- ◆ Remove the battery.
- ◆ Unplug the charger before cleaning it. Your charger does not require any maintenance apart from regular cleaning.
- ◆ Regularly clean the ventilation slots in your appliance/charger using a soft brush or dry cloth.
- ◆ Regularly clean the motor housing, using a damp cloth. Do not use any abrasive or solvent-based cleaner.

## Replacing the filters

The filters should be replaced every 6 to 9 months and whenever worn or damaged.

Replacement filters are available from your BLACK+DECKER dealer.

- ◆ Remove the old filters as described above.
- ◆ Fit the new filters as described above.

## Trouble shooting

Problem	Possible Cause	Possible solution
Unit will not start.	Battery pack not charged.	Check battery pack charging requirements.
	Blockage.	Check floorhead tube.
		Check extension tube.
	Check between extension tube and bowl	
Beater bar stops working.	Obstruction.	The unit is equipped with a beater bar overload protection feature. Remove and clean the beater bar of all debris and obstructions
Battery pack will not charge.	Charger not plugged in.	Plug charger into a working outlet. Refer to Important Charging Notes for more details.
	Surrounding air temperature too hot or too cold	Move charger and battery pack to a 4 °C or below +40 °C.

## Protecting the environment



Separate collection. Products and batteries marked with this symbol must not be disposed of with normal household waste.

Products and batteries contain materials that can be recovered or recycled reducing the demand for raw materials. Please recycle electrical products and batteries according to local provisions. Further information is available at [www.2helpU.com](http://www.2helpU.com)

## Technical Data

	BHFEV182B*	BHFEV182C	BHFEV182CP
Voltage	18	18	18
Watt Hours		36	36
Weight	2.8	3.17	3.23
Battery		BL2018	BL2018
Charger	S010**2400040 / SSC-250040**	S010**2400040 / SSC-250040**	S010**2400040 / SSC-250040**
Approx charge time		5h	5h

\* BHFEV182B is a bare unit and does not come supplied with a battery or a charger.

## Guarantee

Black & Decker is confident of the quality of its products and offers consumers a 24 month guarantee from the date of purchase. This guarantee is in addition to and in no way prejudices your statutory rights. The guarantee is valid within the territories of the Member States of the European Union and the European Free Trade Area.

To claim on the guarantee, the claim must be in accordance with Black&Decker Terms and Conditions and you will need to submit proof of purchase to the seller or an authorised repair agent.

Terms and conditions of the Black&Decker 2 year guarantee and the location of your nearest authorised repair agent can be obtained on the Internet at [www.2helpU.com](http://www.2helpU.com), or by contacting your local Black & Decker office at the address indicated in this manual.

Please visit our website [www.blackanddecker.co.uk](http://www.blackanddecker.co.uk) to register your new Black & Decker product and receive updates on new products and special offers.

**Verwendungszweck**

Ihre BLACK+DECKER Akkustaubsauger BHFEV182B, BHFEV182C, BHFEV182CP 4 in 1 wurden zum Aufsaugen von Schmutz entwickelt. Diese Geräte sind nicht für den gewerblichen Einsatz vorgesehen.



Lesen Sie diese Anleitung vollständig und aufmerksam durch, bevor Sie das Gerät verwenden.

**Sicherheitshinweise**

**Warnung! Lesen Sie alle Sicherheitswarnhinweise und alle Anweisungen.** Die Nichteinhaltung der folgenden Warnungen und Anweisungen kann einen elektrischen Schlag, Brand und/oder schwere Verletzungen verursachen.

- ◆ Der vorgesehene Verwendungszweck ist in dieser Anleitung beschrieben. Bei Verwendung von Zubehör oder Anbauteilen, die nicht in dieser Anleitung empfohlen werden, sowie bei der Verwendung des Geräts in Abweichung von den in dieser Anleitung beschriebenen Verfahren besteht Verletzungsgefahr.
- ◆ Bewahren Sie diese Anleitung auf.

**Verwendung des Geräts**

- ◆ Benutzen Sie das Gerät nicht zum Aufsaugen entzündlicher Flüssigkeiten oder Materialien.
- ◆ Betreiben Sie das Gerät nicht in der Nähe von Wasser.
- ◆ Tauchen Sie das Gerät nicht in Wasser.

- ◆ Ziehen Sie das Ladegerät nicht am Kabel aus der Netzsteckdose. Achten Sie darauf, dass das Kabel des Ladegeräts nicht in Kontakt mit starker Hitze, Öl oder scharfen Gegenständen kommt.
- ◆ Dieses Gerät darf von Kindern ab 8 Jahren und Personen mit eingeschränkter körperlicher, sensorischer oder geistiger Fähigkeiten sowie mangelnder Erfahrung und Wissen in Bezug auf dessen Gebrauch bedient werden, wenn sie bei der Verwendung des Geräts beaufsichtigt oder angeleitet werden und die möglichen Gefahren verstehen. Kinder dürfen nicht mit dem Gerät spielen.  
Reinigung und Wartungsarbeiten dürfen von Kindern nur unter Aufsicht durchgeführt werden.

**Inspektion und Reparaturen**

- Prüfen Sie das Gerät vor der Verwendung auf beschädigte oder defekte Teile. Prüfen Sie, ob Teile gebrochen sind, Schalter beschädigt sind oder andere Bedingungen vorliegen, welche die Funktion beeinträchtigen könnten.
- ◆ Betreiben Sie das Gerät nicht, wenn ein Teil beschädigt oder defekt ist.
  - ◆ Lassen Sie beschädigte oder defekte Teile in einer Vertragswerkstatt reparieren oder austauschen.
  - ◆ Überprüfen Sie das Ladegerätkabel in regelmäßigen Abständen auf Beschädigungen.

Tauschen Sie das Ladegerät aus, wenn das Kabel beschädigt oder defekt ist.

- ◆ Ersetzen oder entfernen Sie keine Teile, für die in dieser Anleitung keine entsprechende Beschreibung enthalten ist.

## Zusätzliche Sicherheitshinweise

### Nach dem Gebrauch

- ◆ Ziehen Sie das Ladegerät aus der Netzsteckdose, bevor Sie das Ladegerät oder die Ladestation reinigen.
- ◆ Bewahren Sie das Gerät bei Nichtgebrauch an einem trockenen Ort auf.
- ◆ Kinder sollten keinen Zugang zu aufbewahrten Geräten haben.

### Restrisiken

Beim Gebrauch dieses Geräts verbleiben zusätzliche Restrisiken, die möglicherweise nicht in den Sicherheitswarnungen genannt werden. Diese Risiken bestehen beispielsweise bei Missbrauch oder längerem Gebrauch.

Auch bei der Einhaltung der entsprechenden Sicherheitsvorschriften und der Verwendung aller Sicherheitsgeräte bestehen weiterhin bestimmte Restrisiken. Diese sind:

- ◆ Verletzungen, die durch das Berühren von sich drehenden/bewegenden Teilen verursacht werden.
- ◆ Verletzungen, die durch das Austauschen von Teilen, Messern oder Zubehör verursacht werden.

- ◆ Verletzungen, die durch längeren Gebrauch eines Geräts verursacht werden. Legen Sie bei längerem Gebrauch regelmäßige Pausen ein.
- ◆ Beeinträchtigung des Gehörs.
- ◆ Gesundheitsrisiken durch das Einatmen von Staub beim Verwenden des Geräts (beispielsweise bei Holzarbeiten, insbesondere Eiche, Buche und MDF.)

### Ladegeräte

Das Ladegerät ist für eine bestimmte Spannung ausgelegt. Stellen Sie sicher, dass die Netzspannung der auf dem Typenschild des Geräts angegebenen Spannung entspricht.

**Warnung!** Ersetzen Sie das Ladegerät keinesfalls durch ein normales Netzkabel.

- ◆ Verwenden Sie das BLACK+DECKER Ladegerät nur für den Akku des Geräts, mit dem es geliefert wurde. Andere Akkus können platzen und Sachschäden oder Verletzungen verursachen.
- ◆ Versuchen Sie keinesfalls, nicht aufladbare Batterien zu laden.
- ◆ Bei einer Beschädigung des Netzkabels muss dieses durch den Hersteller oder eine BLACK+DECKER-Vertragswerkstatt ausgetauscht werden, um mögliche Gefahren zu vermeiden.
- ◆ Achten Sie darauf, dass das Ladegerät nicht mit Wasser in Berührung kommt.
- ◆ Versuchen Sie nicht, das Ladegerät zu öffnen.

- ◆ Nehmen Sie am Ladegerät keine Veränderungen vor.
- ◆ Beim Laden des Geräts/Akkus muss auf ausreichende Belüftung geachtet werden.

11. Fugendüse (erhältlich für die Modelle BHFEV182B, BHFEV182C, BHFEV182CP)
12. Clip zur Zubehöraufbewahrung
13. Tierhaardüse (erhältlich für die Modelle BHFEV182CP)
14. Breite Staubbürste (beim Kundendienst bestellbar)
15. Ladeanschluss

### Aufladen eines Akkus

BLACK+DECKER sind zum Aufladen von BLACK+DECKER-Akkus vorgesehen.

**Hinweis:** So gewährleisten Sie die maximale Leistung und Lebensdauer

von Lithium-Ionen-Akkus:

- ◆ Laden Sie den Akku vor der erstmaligen Verwendung vollständig auf.
- ◆ Laden Sie entladene Akkus nach jedem Gebrauch so bald wie möglich auf.
- ◆ Akkus nicht vollständig entladen.

Das mitgelieferte Ladegerät bietet drei Möglichkeiten zum Laden

Ihres Akkus.

1. Standardaufladung mit Adapter
2. Aufladung mit wandmontiertem Adapter
3. Hängende Aufladung mit wandmontiertem Adapter

### 1. Standardaufladung mit Adapter (Abb. A)

- ◆ Stecken Sie das Ladegerät (5) in eine geeignete Steckdose, bevor Sie den Akku (4) einsetzen.
- ◆ Setzen Sie den Akku in den Ladegerätadapter ein.
- ◆ Bei Verwendung des Ladeadapters blinkt eine grüne LED, während der Akku geladen wird.
- ◆ Der Abschluss des Ladevorgangs wird dadurch angezeigt, dass die grüne LED dauerhaft leuchtet. Der Akku ist vollständig aufgeladen und kann jetzt verwendet oder in der Ladestation gelassen werden.
- ◆ Der Ladegerätadapter kann wie in Abbildung A gezeigt in die Ladestation (5a) eingesetzt werden.

### 2. Aufladung mit wandmontiertem Ladegerät

- ◆ Markieren Sie die Position der Schraubenlöcher für die Ladestation (5a) (in Reichweite einer Steckdose, damit der Staubsauger aufgeladen werden kann, während er mit der Ladestation verbunden ist).
- ◆ Befestigen Sie die Ladestation (5a) mithilfe von für Wandtyp und Gerätegewicht geeigneten Schrauben und Dübeln an der Wand.
- ◆ Setzen Sie den Ladegerätadapter (5) in die Ladestation (5a) ein. Stellen Sie sicher, dass er eingerastet ist, bevor Sie fortfahren.

**Hinweis:** Um den Ladegerätadapter von der Ladestation zu entfernen,

ziehen Sie die Haltetaschen heraus und heben Sie den Ladegerätadapter heraus.

## Elektrische Sicherheit

### Symbole auf dem Ladegerät



Lesen Sie diese Anleitung vollständig und aufmerksam durch, bevor Sie das Gerät zum ersten Mal verwenden.



Dieses Gerät ist schutzisoliert, daher ist keine Erdleitung erforderlich. Überprüfen Sie immer, dass die Stromversorgung der Spannung auf dem Typenschild entspricht.



Die Ladestation darf nicht im Freien verwendet werden.

### Warnsymbole am Gerät

Am Gerät befinden sich folgende Warnsymbole inkl. Datum- und scode:



Lesen Sie diese Anleitung vollständig und aufmerksam durch, bevor Sie das Gerät verwenden



BHFEV182B, BHFEV182C, BHFEV182CP  
verwenden Ladegerät S010\*\*2400040 /  
SSC-250040\*\*

### Merkmale

Dieses Gerät verfügt über einige oder alle der folgenden Merkmale:

1. Ein-/Ausschalter
2. Netzschalter mit 3 Geschwindigkeiten
- 2a. Schlagleisten-Aktivierungstaste
3. Ladestandanzeige
- 3a. Filtersensor
4. 18V-Akku (erhältlich für die Modelle BHFEV182C, BHFEV182CP)
5. 18V Ladegerätadapter und Ladestation (erhältlich für die Modelle BHFEV182C, BHFEV182CP)
6. Abnehmbarer Staubfangbehälter mit Filtrerrührwerk
7. Staubfangbehälterklappe
8. Parkettdüse
9. Verlängerungsrohr
10. Werkzeug für 2-in-1-Zubehör (beim Kundendienst bestellbar)

- ◆ Stecken Sie das Ladegerät in eine geeignete Steckdose, bevor Sie den Akku einsetzen.
- ◆ Schieben Sie den Akku auf die Ladestation.

### 3. Wandmontierte Staubsaugeraufbewahrung und Aufladung des Akkus

Das Gerät kann so an einer Wand befestigt werden, dass ein bequem erreichbarer Ort zum Aufbewahren und Laden des Geräts zur Verfügung steht. Achten Sie bei der Wandmontage darauf, dass die gewählten Befestigungsmittel für den jeweiligen Wandbaustoff geeignet sind und das Gerätegewicht tragen können.

- ◆ Markieren Sie die Position der Schraubenlöcher für die Ladestation auf der Wand (in Reichweite einer Steckdose, damit der Staubsauger aufgeladen werden kann, während er mit der Ladestation verbunden ist).
- ◆ Befestigen Sie die Ladestation mithilfe von für Wandtyp und Gerätegewicht geeigneten Schrauben und Dübeln an der Wand.
- ◆ Setzen Sie den Ladegerätadapter in die Ladestation ein. Stellen Sie sicher, dass er eingerastet ist, bevor Sie fortfahren.

**Hinweis:** Um den Ladegerätadapter von der Ladestation zu entfernen, ziehen Sie die Haltelaschen heraus und heben Sie den Ladegerätadapter heraus.

- ◆ Stecken Sie das Ladegerät in eine geeignete Steckdose.
- ◆ Schieben Sie den Ladeanschluss (15) am Staubsaugerunterteil mit dem im Staubsauger eingesetzten Akku auf die Schienen der Ladestation (5a).
- ◆ Die weiße LED (3) am Staubsauger blinkt, während der Akku geladen wird.
- ◆ Die LED-Abschnitte nehmen zu, während der Akku aufgeladen wird. Wenn der Akku vollständig aufgeladen ist, erlöschen die LEDs. Der Akku ist vollständig aufgeladen und kann jetzt verwendet oder in der Ladestation gelassen werden.

#### Belassen des Akkus im Ladegerät

Sie können den Akku auch im Ladegerät belassen. In diesem Fall leuchtet die grüne LED-Anzeige dauerhaft. Das Ladegerät hält den Akku in einem vollständig geladenen Zustand.

#### Anbringen des Akkus (Abb. B)

- ◆ Setzen Sie den Akku (4) in das Gerät ein, bis ein Klicken zu hören ist, siehe Abbildung B.
- ◆ Stellen Sie sicher, dass der Akku vollständig eingesetzt und eingerastet ist.

#### Entfernen des Akkus

- ◆ Drücken Sie den Akku-Löseknopf und ziehen Sie den Akku (4) aus dem Gerät.

#### Montage (Abb. C)

- ◆ Richten Sie das obere Ende des Verlängerungsrohrs (9) wie in Abbildung C gezeigt am Saugeinlass (16) aus.

- ◆ Schieben Sie das Verlängerungsrohr (9) so auf den Saugeinlass (16), dass es einrastet.
- ◆ Richten Sie das untere Ende des Verlängerungsrohrs (9) wie in Abbildung C gezeigt an der Parkettdüse (8) aus.
- ◆ Schieben Sie das untere Ende des Verlängerungsrohrs (9) so auf die Parkettdüse (8), dass es einrastet.
- ◆ Um ein Zubehörteil zu entfernen, drücken Sie auf die Zubehör-Löselasche am Saugrohr und ziehen Sie es ab.

### GEBRAUCH

Dieser Staubsauger bietet vier Betriebsarten.

- ◆ Mit dem Verlängerungsrohr (9) und der Parkettdüse (8) wie in Abbildung C gezeigt.
- ◆ Mit der Parkettdüse (8) direkt am Saugeinlass (16) wie in Abbildung D gezeigt.
- ◆ Mit dem Verlängerungsrohr (9) und einem Zubehörteil (10), (11), (13) oder (14) wie in Abbildung E gezeigt.
- ◆ Mit einem Zubehörteil (10), (11), (13) oder (14) und dem Saugeinlass (16) wie in Abbildung E gezeigt.
- ◆ Zubehör, das nicht zum Lieferumfang Ihres Geräts gehört, kann beim Kundendienst bestellbar.

#### Ein- und Ausschalten (Abb. F)

- ◆ Drücken Sie zum Einschalten den Ein-/Ausschalter (1).
- ◆ Zur Erhöhung der Leistung schieben Sie den variablen Leistungsschalter (2) nach vorne.

**Hinweis:** Die Bodendüse (8) wird eingeschaltet, wenn sie am Saugrohr oder Verlängerungsrohr angebracht ist. (Sie kann durch Drücken der Taste 2a auf dem Display ausgeschaltet werden.) Die LED-Arbeitsscheinwerfer an der Vorderseite der Parkettdüse leuchten auf, wenn die Schlagleisten-Aktivierungstaste (2a) eingeschaltet wird. (Sie können durch erneutes Drücken der Taste ausgeschaltet werden.)

**Hinweis:** Die LEDs der Ladestandanzeige (3) leuchten, wenn der Staubsauger eingeschaltet ist oder während er aufgeladen wird.

- ◆ Drücken Sie zum Ausschalten den Ein-/Ausschalter (1).
- ◆ Bringen Sie das Produkt sofort nach Gebrauch wieder zum Ladegerät, damit es für die nächste Verwendung bereit und vollständig aufgeladen ist. Stellen Sie sicher, dass das Produkt richtig mit dem Ladestecker verbunden ist.

#### Verwenden von Zubehör (Abb. G)

Zum Lieferumfang Ihres Staubsaugers gehört eventuell folgendes Zubehör.

- ◆ 2-in-1-Zubehör (10)
- ◆ Fugendüse (11).
- ◆ Tierhaardüse (13).
- ◆ Breite Staubbürste (14).
- ◆ Das Zubehör (10), (11), (13) oder (14) kann wie in Abbildung J dargestellt entweder direkt am Verlängerungsrohr (6) oder am Saugeinlass (5) angebracht werden.

- ◆ Richten Sie die Oberseite des Zubehörs (10), (11), (13) oder (14) am Saugeinlass (16) oder am Verlängerungsrohranschluss (9a) aus und drücken Sie, bis es einrastet, siehe Abbildung G.

		BHFVEV 1828	BHFVEV 1830	BHFVEV 1830 P
10	2 in 1 Accessory			
11	Crevice tool	✓	✓	✓
12	Accessory storage clip	✓	✓	✓
13	Pet hair tool			✓
14	Wide mouth dust brush			

- ◆ Alle Teile sind beim Kundendienst bestellbar

## Reinigen und Entleeren des Staubsaugers

### Filternsensor

Wenn ein Filter verstopft ist und gereinigt werden muss, leuchtet die rote Filter-LED (3) im Gehäuse.

### Filterrührwerk (Abb. H)

Drehen Sie das Rad des Filterrührwerks bei vom Gehäuse (17) abgehobenem Staubfangbehälter (6) etwa 5 bis 10 Mal, um übermäßigen Staub vom Filter zu entfernen und so dessen Leistung zu erhöhen.

**Hinweis:** Das Rühren sollte erfolgen, wenn das Gerät geleert und der Vorfilter entfernt wurde.

**Hinweis:** Die maximale Saugleistung erzielen Sie bei sauberen Filtern und leerem Staubfangbehälter. Wenn nach dem Ausschalten des Staubsaugers Staub aus der Saugöffnung fällt, ist der Staubfangbehälter voll und muss geleert werden.

### Entleeren des Staubfangbehälters (Abb. I, J)

- ◆ Heben Sie den Staubfangbehälter (6) an und entfernen Sie ihn vom Gehäuse (17), siehe Abbildung I.
- ◆ Halten Sie den Staubfangbehälter über einen Mülleimer und drücken Sie die Entriegelungstaste am Staubfangbehälterdeckel (6a), um den Staubfangbehälter zu leeren, siehe Abbildung J.
- ◆ Schließen Sie den Staubfangbehälterdeckel (7) so, dass er hörbar einrastet.
- ◆ Setzen Sie den Staubfangbehälter (6) wieder auf das Gehäuse (17).

### Entfernen des Vorfilters (Abb. K)

- ◆ Heben Sie den Staubfangbehälter (6) an und entfernen Sie ihn vom Gehäuse (17), siehe Abbildung I.
- ◆ Halten Sie den Staubfangbehälter über einen Mülleimer und drücken Sie die Entriegelungstaste am Staubfangbehälterdeckel (6a), um den Staubfangbehälter zu leeren, siehe Abbildung J.

- ◆ Drücken Sie mit dem Zeigefinger und dem Daumen den Vorfilter (18) zusammen und heben Sie den Vorfilter (18) wie in Abbildung K gezeigt vom Staubfangbehälter (6) ab.

**Hinweis:** Das Filtergehäuse passt genau in den Staubfangbehälter und ist möglicherweise zunächst schwer zu entfernen.

- ◆ Leeren Sie den Staubfangbehälter.
- ◆ Setzen Sie den Vorfilter (18) in den Staubfangbehälter (6) ein und achten Sie dabei darauf, dass die Lasche des Staubfangbehälters (20) wie in Abbildung K gezeigt am Schlitz des Vorfilters (19) ausgerichtet ist.
- ◆ Setzen Sie den Staubfangbehälter so in den Staubsauger ein, dass er hörbar einrastet.

### Entfernen des Filters (Abb. L)

- ◆ Heben Sie den Staubfangbehälter (6) an und entfernen Sie ihn vom Gehäuse (17), siehe Abbildung I.
- ◆ Halten Sie den Staubfangbehälter über einen Mülleimer und drücken Sie die Entriegelungstaste am Staubfangbehälterdeckel (6a), um den Staubfangbehälter zu leeren, siehe Abbildung J.
- ◆ Fassen Sie das Gehäuse des Rührwerksrads (21) und ziehen Sie es zum Entfernen nach oben.
- ◆ Entfernen Sie den Filter (22) wie in Abbildung L dargestellt vom Rührwerksgehäuse (21).
- ◆ Schütteln Sie losen Staub vom Filter ab oder bürsten Sie ihn vorsichtig ab.
- ◆ Setzen Sie den Filter (22) in das Gehäuse des Rührwerksrads (21) ein.
- ◆ Setzen Sie das Gehäuse des Rührwerksrads (21) so in den Staubfangbehälter ein, dass es hörbar einrastet.

### Reinigen der Filter

- ◆ Wenn Filter und Vorfilter aus dem Staubfangbehälter entfernt wurden, schütteln Sie losen Staub vom Vorfilter und vom Filter ab oder bürsten Sie sie vorsichtig ab.
- ◆ Spülen Sie den Staubfangbehälter (6) mit warmem Seifenwasser aus.
- ◆ Spülen Sie die Filter mit warmer Seifenlauge aus.
- ◆ Warten Sie, bis die Filter vollständig trocken sind (24 Stunden), bevor Sie sie wieder einsetzen.
- ◆ Befolgen Sie Zusammenbau die Hinweise in den Abschnitten „Entfernen des Vorfilters“ und „Entfernen des Filters“.

**Hinweis:** Die maximale Saugleistung erzielen Sie bei sauberen Filtern und leerem Staubfangbehälter. Wenn nach dem Ausschalten des Staubsaugers Staub aus der Saugöffnung fällt, ist der Staubfangbehälter voll oder verstopft und muss geleert werden.

- ◆ Waschen Sie die Filter regelmäßig mit warmer Seifenlauge aus und stellen Sie sicher, dass sie komplett trocken sind, bevor Sie sie wieder verwenden. Je sauberer der Filter ist, desto besser ist die Leistung des Produkts.
- ◆ Es ist sehr wichtig, dass die Filter vor der Nutzung vollständig trocken sind und in die richtige Position eingesetzt werden.

## Entfernen und Reinigen der Rotationsbürsten (Abb. M)

**Warnung!** Um das Verletzungsrisiko durch bewegliche Teile zu verringern, entfernen Sie vor der Reinigung oder Wartung den Akku.

- ◆ Zum Entfernen der Rotationsbürste (23) von der Parkettbürste (8) drücken Sie die Entriegelungstaste (24) wie in Abbildung M gezeigt.
- ◆ Heben Sie die Rotationsbürste aus ihrer verriegelten Position heraus.
- ◆ Die Rotationsbürste (23) kann nun herausgenommen werden.
- ◆ Reinigen Sie die Rotationsbürste und setzen Sie sie wieder ein. Stellen Sie vor dem Betrieb sicher, dass sie sich in der verriegelten Position befindet.

## Aufbewahrung

Das Gerät kann mit der Ladestation (5a) wie in Abbildung N gezeigt sicher aufbewahrt werden.

## Wartung

Ihr BLACK+DECKER-Akku-Gerät wurde im Hinblick auf eine lange Lebensdauer und einen möglichst geringen Wartungsaufwand entwickelt. Ein kontinuierlicher, zufriedenstellender Betrieb hängt von der richtigen Pflege des Gerätes und seiner regelmäßigen Reinigung ab.

**Warnung!** Vor dem Ausführen jeglicher Wartungsarbeiten an Akku-Geräten:

- ◆ Entnehmen Sie den Akku.
- ◆ Ziehen Sie das Ladegerät aus der Netzsteckdose, bevor Sie es reinigen. Das Ladegerät benötigt keine Wartung, es sollte jedoch regelmäßig gereinigt werden.
- ◆ Reinigen Sie regelmäßig die Lüftungsschlitze des Gerätes und des Ladegeräts mit einer weichen Bürste oder einem trockenen Tuch.
- ◆ Reinigen Sie das Motorgehäuse regelmäßig mit einem feuchten Tuch. Verwenden Sie keine scheuernden Reinigungsmittel oder Reinigungsmittel auf Lösungsmittelbasis.

## Ersetzen der Filter

Die Filter sollten alle 6 bis 9 Monate ersetzt werden, bei sichtbaren Verschleißspuren oder Beschädigungen auch früher. Ersatzfilter erhalten Sie im BLACK+DECKER Fachhandel.

- ◆ Entfernen Sie die alten Filter wie oben beschrieben.
- ◆ Bringen Sie die neuen Filter wie oben beschrieben an.

## Fehlerbehebung

Problem	Mögliche Ursache	Mögliche Lösung
Gerät startet nicht.	Akku nicht geladen.	Prüfen Sie die erforderliche Ladekapazität.
	Blockage.	Rohr der Parkettbürste prüfen.
		Verlängerungsrohr prüfen.
Die Schlagleiste funktioniert nicht mehr.	Verstopfung.	Bereich zwischen Verlängerungsrohr und Behälter prüfen.
		Das Gerät ist mit einem Überlastungsschutz der Schlagleiste ausgestattet. Nehmen Sie die Schlagleiste heraus und befreien Sie sie von allen Rückständen und Verstopfungen.
Akku lädt nicht.	Das Ladegerät ist nicht mit dem Stromnetz verbunden.	Stecken Sie den Stecker des Ladegeräts in eine aktive Steckdose. Weitere Details finden Sie unter „Wichtige Hinweise zum Aufladen“.
	Umgebungstemperatur zu hoch oder zu niedrig	Bringen Sie Ladegerät und Akku an einen Ort mit einer Temperatur über 4 °C bis unter +40 °C.

## Umweltschutz



Getrennte Entsorgung. Produkte und Akkus mit diesem Symbol dürfen nicht mit dem normalen Hausmüll entsorgt werden.

Produkte und Akkus enthalten Materialien, die wiederverwertet werden können, um den Bedarf an Rohstoffen zu verringern. Bitte recyceln Sie elektrische Produkte und Akkus gemäß den örtlichen Bestimmungen. Weitere Informationen finden Sie auf [www.2helpU.com](http://www.2helpU.com)

## Technische Daten

	BHFEV182B*	BHFEV182C	BHFEV182CP
Spannung	18	18	18
Wattstunden		36	36
Gewicht	2,8	3,17	3,23
Akku		BL2018	BL2018
Ladegerät	S010**2400040 / SSC-250040**	S010**2400040 / SSC-250040**	S010**2400040 / SSC-250040**
Ungefähre Ladezeit		5h	5h

\* BHFEV182B umfasst nur das Gerät und wird ohne Akku oder Ladegerät geliefert.

**Garantie**

Black & Decker vertraut auf die Qualität der eigenen Geräte und bietet dem Käufer eine außergewöhnliche Garantie von 24 Monaten ab Kaufdatum. Diese Garantie versteht sich unbeschadet der gesetzlichen Gewährleistungsansprüche und schränkt diese keinesfalls ein. Diese Garantie gilt innerhalb der Staatsgebiete der Mitgliedstaaten der Europäischen Union und der Europäischen Freihandelszone.

Zur Inanspruchnahme dieser Garantie muss sie den allgemeinen Geschäftsbedingungen von Black+Decker entsprechen und dem Verkäufer bzw. der Vertragswerkstatt ist ein Kaufnachweis vorzulegen.

Die Bedingungen für die 2-jährige Garantie von Black&Decker und den Standort Ihrer nächstgelegenen Vertragswerkstatt finden Sie im Internet unter [www.2helpU.com](http://www.2helpU.com) oder indem Sie sich an die lokale Black&Decker-Niederlassung wenden, deren Adresse Sie in dieser Anleitung finden.

Ihr neues Black & Decker Produkt können Sie auf unserer Website unter [www.blackanddecker.de](http://www.blackanddecker.de) registrieren. Dort erhalten Sie auch Informationen über neue Produkte und Sonderangebote.

**Utilisation prévue**

Vos aspirateurs sans fil 4 en 1 BLACK+DECKER BHFEV182B, BHFEV182C, BHFEV182CP ont été conçus pour les applications de nettoyage par aspiration. Ces appareils sont exclusivement destinés à un usage domestique.



Avant d'utiliser l'appareil, lisez attentivement ce manuel dans son intégralité.

**Consignes de sécurité**

**Avertissement ! Lisez tous les avertissements et toutes les instructions liés à la sécurité.** Le non-respect des avertissements et des instructions listés ci-dessous peut entraîner des chocs électriques, des incendies et/ou de graves blessures.

- ◆ L'utilisation prévue pour ces appareils est décrite dans ce manuel.

L'utilisation d'un accessoire ou d'un équipement autre que ceux recommandés ou l'utilisation de cet appareil à d'autres fins que celles spécifiées dans ce manuel d'utilisation peuvent présenter un risque de blessures de blessure.

- ◆ Conservez ce manuel pour pouvoir vous y référer dans le futur.

**Utiliser votre appareil**

- ◆ N'utilisez pas cet appareil pour aspirer des liquides ou des matières qui pourraient prendre feu.
- ◆ N'utilisez pas cet appareil près d'une source d'eau.
- ◆ Ne plongez pas l'appareil dans l'eau.
- ◆ Ne tirez jamais sur le fil du chargeur pour le débrancher. Maintenez le fil du chargeur éloigné de toute source de chaleur, de zones grasses et de bords tranchants.
- ◆ Cet appareil peut être utilisé par des enfants âgés de 8 ans ou plus et par des personnes aux capacités physiques, mentales ou sensorielles déficientes ou qui manquent d'expérience ou de connaissance s'ils sont supervisés ou qu'ils ont été formés à l'utilisation sûre de l'appareil et qu'ils sont conscients des risques potentiels. Ne laissez pas les enfants jouer avec l'appareil. Le nettoyage et la maintenance à réaliser par l'utilisateur ne doivent pas être entrepris par des enfants sans surveillance.

## Vérification et réparations

Avant utilisation, vérifiez que l'appareil et ses pièces ne sont ni endommagés, ni défectueux. Contrôlez l'absence de pièces cassées, d'interrupteurs endommagés et de toutes autres anomalies susceptibles de nuire au bon fonctionnement de l'appareil.

- ◆ N'utilisez pas l'appareil si une quelconque pièce est endommagée ou défectueuse.
- ◆ Faites réparer ou remplacer les pièces défectueuses ou endommagées par un réparateur agréé.
- ◆ Vérifiez régulièrement l'état du fil du chargeur. Si le fil est endommagé ou défectueux, remplacez le chargeur.
- ◆ Ne tentez jamais de retirer ou de remplacer des pièces autres que celles citées dans ce manuel.

## Consignes de sécurité supplémentaires

### Après l'utilisation

- ◆ Débranchez le chargeur pour le nettoyer ou pour nettoyer la station de charge.
- ◆ Lorsque vous n'utilisez pas l'appareil, rangez-le dans un endroit sec.
- ◆ Les enfants ne doivent pas avoir accès aux appareils rangés.

### Risques résiduels

Certains risques résiduels autres que ceux mentionnés dans les avertissements sur la sécurité peuvent survenir en utilisant l'outil.

Ces risques peuvent être provoqués par une utilisation incorrecte, prolongée, etc. Malgré l'application des normes de sécurité pertinentes et la mise en œuvre de dispositifs de sécurité, certains risques résiduels ne peuvent pas être évités. Ils comprennent :

- ◆ Les blessures provoquées par le contact avec des pièces rotatives/mobiles.
- ◆ Les blessures provoquées pendant le remplacement de pièces, de lames ou d'accessoires.
- ◆ Les blessures dues à l'utilisation prolongée d'un outil. Lorsqu'un outil est utilisé pendant de longues périodes, assurez-vous de faire des pauses régulières.
- ◆ La diminution de l'acuité auditive.
- ◆ Les risques pour la santé provoqués par l'inhalation des poussières générées pendant l'utilisation de votre outil (exemple : travail avec du bois, surtout le chêne, le hêtre et les panneaux en MDF)

### Chargeurs

Votre chargeur a été conçu pour une tension spécifique. Vérifiez toujours que la tension du réseau électrique correspond à la tension figurant sur la plaque signalétique.

**Avertissement !** N'essayez jamais de remplacer l'appareil de charge par une prise secteur ordinaire.

- ◆ N'utilisez votre chargeur BLACK+DECKER que pour recharger la batterie fournie avec l'appareil.

D'autres batteries pourraient exploser et provoquer des blessures et des dommages.

- ◆ Ne tentez jamais de recharger des batteries non rechargeables.
- ◆ Si le câble d'alimentation est endommagé, il doit être remplacé par le fabricant ou par un centre d'assistance agréé BLACK+DECKER afin d'éviter tout risque.
- ◆ N'exposez pas le chargeur à l'eau.
- ◆ N'ouvrez pas le chargeur.
  
- ◆ Ne sondez pas le chargeur.
- ◆ Pendant la charge, l'appareil/la batterie doivent être placés dans un endroit bien aéré.

2. Interrupteur d'alimentation 3 vitesses
- 2a. Bouton d'activation de la brosse battante
3. Témoin du niveau de charge
- 3a. Capteur du filtre
4. Batterie 18V (disponible pour les modèles BHFEV182C, BHFEV182CP)
5. Chargeur réceptacle 18V et station de charge (disponibles pour les modèles BHFEV182C, BHFEV182CP)
6. Bac à poussière à soulever avec agitateur de filtre
7. Trappe du bac à poussière
8. Tête pour sol
9. Tube rallonge
10. Accessoire 2 en 1 (disponible sur commande auprès du département assistance)
11. Suceur plat (disponibles avec les modèles BHFEV182B, BHFEV182C, BHFEV182CP)
12. Attache range-accessoire
13. Brosse pour les poils d'animaux (disponible avec les modèles BHFEV182CP)
14. Brosse à poussière à large ouverture (disponible sur commande auprès du département assistance)
15. Port de charge

### Recharger une batterie

Les chargeurs BLACK+DECKER sont conçus pour recharger les blocs-batteries BLACK+DECKER.

**Remarque :** Afin de garantir des performances et une durée de vie maximum des

blocs-batteries Li-Ion :

- ◆ Rechargez complètement le bloc-batterie avant la première utilisation.
  - ◆ Rechargez les batteries déchargées dès que possible après leur utilisation.
  - ◆ Ne laissez pas les batteries se décharger complètement.
- Le chargeur fourni offre trois moyens possibles pour recharger votre batterie.
1. Charge standard dans le réceptacle uniquement
  2. Charge dans le réceptacle fixé au mur
  3. Charge suspendu au mur

### 1. Charge standard dans le réceptacle (Fig. A)

- ◆ Branchez le chargeur (5) dans une prise appropriée avant d'insérer le bloc-batterie (4).
- ◆ Insérez le bloc-batterie dans le réceptacle de charge.
- ◆ Lorsque que le réceptacle de charge est utilisé, le voyant vert clignote pour indiquer que la batterie est en charge.
- ◆ La fin de la charge est indiquée par le voyant vert restant allumé en continu. Le bloc est alors complètement rechargé et il peut soit être utilisé, soit être laissé dans le chargeur.
- ◆ Le réceptacle de charge peut être inséré dans la station de charge (5a), comme illustré par la figure A.

## Sécurité électrique

### Symboles sur le chargeur



Lisez attentivement l'intégralité de ce manuel avant d'utiliser l'appareil.



Cet outil est doublement isolé et ne nécessite donc aucune liaison à la terre. Assurez-vous toujours que l'alimentation électrique correspond à la tension mentionnée sur la plaque signalétique.



La station de charge ne peut être utilisée qu'à l'intérieur.

### Étiquettes apposées sur l'appareil

Les symboles qui suivent figurent sur l'appareil avec le code date



Lisez attentivement et entièrement ce manuel avant d'utiliser l'appareil



BHFEV182B, BHFEV182C, BHFEV182CP  
utilisez le chargeur S010\*\*2400040 /  
SSC-250040\*\*

### Caractéristiques

Cet outil dispose de tout ou partie des éléments suivants.

1. Bouton Marche/Arrêt

## 2. Charge de la batterie sur suspension murale

- ◆ Marquez les trous de vis de la station de charge (5a) sur le mur (à proximité d'une prise électrique pour pouvoir recharger l'aspirateur quand il est sur la station de charge).
- ◆ Fixez la station de charge (5a) au mur à l'aide de vis et de chevilles adaptées pour le type de mur et le poids de l'appareil.
- ◆ Installez le réceptacle de charge (5) dans la station de charge (5a). Assurez-vous que tout est correctement fixé en place avant de poursuivre.

**Remarque :** Pour retirer le réceptacle de charge de la base de

charge, tirez sur les pattes de retenue et soulevez le réceptacle de charge pour le sortir.

- ◆ Branchez le chargeur dans une prise adaptée avant d'insérer le bloc-batterie.
- ◆ Glissez le bloc-batterie dans la station de charge.

## 3. Ranger l'aspirateur au mur et charger la batterie

Le produit peut être fixé au mur ce qui offre un moyen pratique de le ranger tout en permettant de le recharger. Si vous l'installez au mur, assurez-vous d'utiliser une méthode de fixation appropriée pour le type de mur et le poids de l'appareil.

- ◆ Marquez les trous de vis de la station de charge sur le mur (à proximité d'une prise électrique pour pouvoir recharger l'aspirateur quand il est sur la station de charge).
- ◆ Fixez la station de charge au mur à l'aide de vis et de chevilles adaptées pour le type de mur et le poids de l'appareil.
- ◆ Installez le réceptacle de charge dans la station de charge. Assurez-vous que tout est correctement fixé en place avant de poursuivre.

**Remarque :** Pour retirer le réceptacle de charge de la station de la base de charge, tirez les pattes de retenue et soulevez le réceptacle pour le sortir.

- ◆ Branchez le chargeur dans une prise appropriée.
- ◆ Alors que la batterie est installée dans l'aspirateur, glissez le port de charge (15) situé à la base de l'aspirateur sur les rails de la station de charge (5a).
- ◆ Le voyant blanc (3) sur l'aspirateur clignote pour indiquer que la batterie est en charge.
- ◆ Le nombre de segments allumés augmente au fur et à mesure que la batterie se recharge. Les LED s'éteignent dès que la batterie est complètement rechargée. Le bloc est alors complètement rechargé et il peut soit être utilisé, soit être laissé dans le chargeur.

### Laisser la batterie dans le chargeur

Le chargeur et le bloc-batterie peuvent rester connectés avec le voyant allumé en continu. Le chargeur maintient le bloc-batterie complètement chargé.

### Pour installer le bloc-batterie (Fig. B)

- ◆ Insérez la batterie (4) dans l'outil jusqu'à entendre un clic, comme illustré par la figure B.
- ◆ Assurez-vous que le bloc-batterie est bien en place et parfaitement fixé.

### Pour retirer le bloc-batterie

- ◆ Enfoncez le bouton de libération de la batterie et tirez sur le bloc-batterie (4) pour le sortir de l'outil.

### Assemblage (Fig. C)

- ◆ Alignez le haut du tube rallonge (9) avec l'ouverture dans l'aspirateur (16), comme illustré par la figure C.
- ◆ Enfoncez le tube rallonge (9) dans l'ouverture dans l'aspirateur (16) pour le verrouiller en position.
- ◆ Alignez le bas du tube rallonge (9) avec la tête pour sol (8), comme illustré par la figure C.
- ◆ Enfoncez le bas du tube rallonge (9) dans la tête pour sol (8) pour le verrouiller en position.
- ◆ Pour retirer un accessoire, enfoncez le bouton de libération de l'accessoire situé sur l'accessoire et tirez sur ce dernier pour le sortir.

### UTILISATION

Cet aspirateur peut être utilisé de l'une des quatre façons possibles.

- ◆ Avec le tube rallonge (9) et la brosse pour sol (8), comme illustré par la figure C.
- ◆ Avec la brosse pour sol (8) et l'ouverture d'aspiration (16), comme illustré par la figure D.
- ◆ Avec le tube rallonge (9) et l'un des accessoires (10), (11), (13) ou (14), comme illustré par la figure E.
- ◆ Avec l'un des accessoires (10), (11), (13) ou (14) et l'ouverture d'aspiration (16), comme illustré par la figure E.
- ◆ Les accessoires non fournis avec votre appareil peuvent être commandés auprès du département assistance.

### Mise en marche et Extinction (Fig. F)

- ◆ Pour mettre l'appareil en marche, appuyez sur le bouton Marche/Arrêt (1).
- ◆ Pour augmenter la puissance, glissez l'interrupteur à puissance variable (2) vers l'avant.

**Remarque :** La brosse pour sol (8) est actionnée lorsqu'elle est fixée à l'aspirateur ou le tube rallonge (elle peut être désactivée en appuyant sur le bouton 2a sur l'écran). L'éclairage de travail à LED à l'avant de la tête pour sol s'allume dès que le bouton de la brosse de battage (2a) est actionné (il peut être éteint en appuyant sur ce bouton).

**Remarque :** Les voyants témoins du niveau de charge (3) s'allument lorsque l'aspirateur est en marche ou pendant la procédure de charge.


- ◆ Pour éteindre l'appareil, appuyez sur le bouton Marche/Arrêt (1).

- ◆ Remplacez immédiatement l'appareil sur le chargeur après utilisation, de sorte qu'il soit prêt et complètement rechargé pour l'utilisation suivante. Veillez à ce que le produit soit complètement rechargé à l'aide de la prise du chargeur.

### Utiliser un accessoire (Fig. G)

Votre aspirateur est livré avec certains des accessoires suivants.

- ◆ Accessoire 2 en 1 (10)
- ◆ Suceur plat (11).
- ◆ Brosse pour poils d'animaux (13).
- ◆ Brosse à poussière à large ouverture (14).
- ◆ Les accessoires (10), (11), (13) et (14) peuvent être installés soit directement sur le tube rallonge (6) soit sur l'ouverture d'aspiration de l'aspirateur (5), comme illustré par la figure J.
- ◆ Alignez le haut de l'accessoire (10), (11), (13) ou (14) avec l'ouverture d'aspiration de l'aspirateur (16) ou le raccord du tube rallonge (9a) et enfoncez-le pour qu'il s'enclenche en place, comme illustré par la figure G.



10	2 in 1 Accessory			
11	Crevice tool	✓	✓	✓
12	Accessory storage clip	✓	✓	✓
13	Pet hair tool			✓
14	Wide mouth dust brush			

- ◆ Tous les accessoires sont disponibles auprès du département assistance

### Nettoyer et vider l'aspirateur

#### Capteur du filtre

Lorsqu'un filtre se bouche et qu'il doit être nettoyé, le témoin rouge du filtre (3) sur le corps de l'appareil s'allume.

#### Agitateur de filtre (Fig. H)

Alors que le bac à poussière (6) est hors du corps de l'appareil (17), pivotez la bague de l'agitateur de filtre 5 à 10 fois pour supprimer l'excès de poussière du filtre et augmenter son efficacité.

**Remarque :** Il est conseillé d'agiter le filtre au moment où l'appareil est vidé et que le préfiltre a été retiré.

**Remarque :** Le ramassage d'un maximum de poussière ne peut être obtenu que si les filtres sont propres et que le bac à poussière est vide. Si de la poussière tombe de l'appareil après l'avoir arrêté, cela indique que le bac est plein et qu'il doit être vidé.

#### Pour vider le bac à poussière (Fig. I, J)

- ◆ Soulevez et retirez le bac à poussière (6) du corps de l'appareil (17), comme illustré par la figure I.

- ◆ Placez le bac à poussière au-dessus d'une poubelle et appuyez sur le bouton du couvercle du bac à poussière (6a) pour vider le bac, comme illustré par la figure J.
- ◆ Refermez le couvercle du bac à poussière (7), jusqu'à entendre le clic qui indique qu'il est en place.
- ◆ Réinstallez le bac à poussière (6) dans le corps de l'appareil (17).

#### Retirer le préfiltre (Fig. K)

- ◆ Soulevez et retirez le bac à poussière (6) du corps de l'appareil (17), comme illustré par la figure I.
- ◆ Placez le bac à poussière au-dessus d'une poubelle et appuyez sur le bouton du couvercle du bac à poussière (6a) pour vider le bac, comme illustré par la figure J.
- ◆ Utilisez votre index et votre pouce pour pincer le préfiltre (18) et le tirez (18) hors du bac à poussière (6), comme illustré par la figure K.

**Remarque :** Le porte-filtre est étroitement inséré dans le bac à poussière et il peut être difficile à retirer la première fois.

- ◆ Videz le bac à poussière.
- ◆ Installez le préfiltre (18) dans le bac à poussière (6) en vous assurant que la patte du bac à poussière (20) est alignée avec la fentes du préfiltre (19), comme illustré par la figure K.
- ◆ Installez le bac à poussière sur l'aspirateur jusqu'à ce qu'il s'enclenche fermement en place.

#### Retirer le filtre (Fig. L)

- ◆ Soulevez et retirez le bac à poussière (6) du corps de l'appareil (17), comme illustré par la figure I.
- ◆ Placez le bac à poussière au-dessus d'une poubelle et appuyez sur le bouton du couvercle du bac à poussière (6a) pour vider le bac, comme illustré par la figure J.
- ◆ Attrapez le corps de la bague de l'agitateur (21) et tirez-le vers le haut pour le retirer.
- ◆ Retirez le filtre (22) du corps de la bague de l'agitateur (21), comme illustré par la figure L.
- ◆ Secouez ou utilisez une brosse souple pour supprimer la poussière du filtre.
- ◆ Réinstallez le filtre (22) dans le corps de la bague de l'agitateur (21).
- ◆ Installez le corps de la bague de l'agitateur (21) sur le bac à poussière jusqu'à ce qu'il s'enclenche fermement en place.

#### Nettoyer les filtres

- ◆ Après avoir retiré le filtre et le préfiltre du bac à poussière, secouez-les ou utilisez une brosse souple pour en retirer la poussière.
- ◆ Rincez le bac à poussière (6) à l'eau chaude savonneuse.
- ◆ Lavez les filtres à l'eau chaude savonneuse.
- ◆ Veillez à ce que les filtres soient parfaitement secs (24 heures) avant de les réinstaller.

- ◆ Respectez les instructions des sections "Retirer le préfiltre et Retirer le filtre" pour obtenir la procédure d'assemblage.

**Remarque :** Le ramassage d'un maximum de poussière ne peut être obtenu que si les filtres sont propres et que le bac à poussière est vide. Si de la poussière tombe de l'appareil après l'avoir arrêté, cela indique que le bac à poussière est plein et qu'il doit être vidé ou qu'il y a quelque chose qui fait obstacle quelque part.

- ◆ Nettoyez les filtres régulièrement à l'eau chaude savonneuse et assurez-vous qu'ils sont complètement secs avant de les réutiliser. Plus le filtre est propre, mieux l'appareil fonctionne.
- ◆ Il est très important que les filtres soient secs et correctement installés avant l'utilisation.

### Retirer et nettoyer les brosses rotatives (Fig. M)

**Avertissement !** Afin de réduire le risque de blessure par des pièces en mouvement, débranchez la batterie avant toute procédure de nettoyage ou d'entretien.

- ◆ Pour retirer la brosse rotative (23) de la tête pour sol (8), appuyez sur le bouton de libération (24), comme illustré par la figure M.
- ◆ Soulevez la brosse rotative de sa position verrouillée.
- ◆ La brosse rotative (23) peut alors être retirée.
- ◆ Nettoyez la brosse rotative avant de la réinstaller. Veillez à ce qu'elle soit parfaitement en place et verrouillée avant d'utiliser l'appareil.

### Rangement

L'appareil peut être rangé en toute sécurité à l'aide de la station de charge (5a), comme illustré par la figure N.

### Maintenance

Votre appareil BLACK+DECKER sans fil a été conçu pour fonctionner longtemps avec un minimum d'entretien. Le fonctionnement continu et satisfaisant de l'appareil dépend de son bon entretien et de son nettoyage régulier.

**Avertissement !** Avant toute intervention de maintenance sur les appareils sans fil :

- ◆ Retirez la batterie.
- ◆ Débranchez le chargeur de la nettoyer. Votre chargeur ne nécessite aucun entretien particulier, à l'exception d'un nettoyage régulier.
- ◆ Nettoyez régulièrement les orifices d'aération de votre appareil/chargeur à l'aide d'une brosse souple ou d'un chiffon sec.
- ◆ Nettoyez régulièrement le bloc-moteur à l'aide d'un chiffon humide. N'utilisez pas de détergents abrasifs ou à base de solvants.

### Remplacer les filtres

Les filtres doivent être remplacés tous les 6 à 9 mois et chaque fois qu'ils sont usés ou endommagés.

Des filtres de rechange sont disponibles auprès de votre revendeur BLACK+DECKER.

- ◆ Retirez les filtres usagés, comme décrit ci-dessus.
- ◆ Installez les filtres neufs, comme décrit ci-dessus.

### Dépannage

Problème	Cause possible	Solution possible
L'appareil ne démarre pas.	Le bloc-batterie n'est pas rechargé.	Vérifiez le besoin en charge du bloc-batterie.
	Blocage.	Contrôlez le tube de la tête pour sol.
		Contrôlez le tube rallonge.
		Contrôlez la zone entre le tube rallonge et le bac.
La barre de battage ne fonctionne plus.	Blocage.	L'appareil dispose d'une fonction de protection contre les surcharges pour la barre de battage. Retirez et nettoyez la barre de battage de toutes les saletés qu'elles contiennent.
Le bloc-batterie ne se recharge pas.	Le chargeur n'est pas branché.	Branchez le chargeur dans une prise de courant qui fonctionne. Consultez la section "Remarques importantes sur la charge" pour avoir plus de détails.
	La température ambiante est trop chaude ou trop froide.	Déplacez le chargeur et le bloc-batterie dans un endroit à plus de 4 °C ou moins de +40 °C.

### Protection de l'environnement



Tri sélectif. Les produits et batteries marqués de ce symbole ne doivent pas être jetés avec les déchets ménagers.

Les produits et batteries contiennent des matières qui peuvent être récupérées et recyclées afin de réduire la demande en matières premières. Veillez à recycler les produits électriques et les piles et batteries conformément aux prescriptions locales en vigueur. Pour plus d'informations, consultez le site [www.2helpU.com](http://www.2helpU.com)

**Caractéristiques techniques**

	BHFEV182B*	BHFEV182C	BHFEV182CP
Tension	18	18	18
Watteheures		36	36
Poids	2,8	3,17	3,23
Batterie		BL2018	BL2018
Chargeur	S010**2400040 / SSC-250040**	S010**2400040 / SSC-250040**	S010**2400040 / SSC-250040**
Durée de charge approximative		5h	5h

\* L'article BHFEV182B fait référence à un appareil seul qui est livré sans batterie et sans chargeur.

**Garantie**

Black & Decker est sûr de la qualité de ses produits et offre une garantie de 24 mois aux utilisateurs, à partir de la date d'achat. Cette garantie s'ajoute à vos droits légaux auxquels elle ne porte aucunement préjudice. Cette garantie est valable au sein des territoires des États membres de l'Union Européenne et au sein de la Zone européenne de libre-échange. Pour prétendre à la garantie, la réclamation doit être en conformité avec les conditions générales de Black & Decker et vous devez fournir une preuve d'achat au vendeur ou au réparateur agréé.

Les conditions générales de la garantie de 2 ans Black & Decker ainsi que l'adresse du réparateur agréé le plus proche sont disponibles sur le site Internet [www.2helpU.com](http://www.2helpU.com) ou en contactant votre agence Black & Decker locale à l'adresse indiquée dans ce manuel.

Veillez consulter notre site Internet [www.blackanddecker.co.uk](http://www.blackanddecker.co.uk) pour enregistrer votre nouveau produit Black & Decker et pour être tenu informé des nouveaux produits et offres spéciales.

**Uso previsto**

Gli aspirapolvere portatili BLACK+DECKER BHFEV182B, BHFEV182C, BHFEV182CP 4 in 1 sono stati progettati per scopi di pulizia a vuoto. Questi apparecchi sono concepiti esclusivamente per uso domestico.



Leggere attentamente questo manuale prima di usare l'apparecchio.

**Istruzioni di sicurezza**

**Avvertenza! Leggere**

**attentamente tutte le avvertenze e le istruzioni.** L'inosservanza delle avvertenze e istruzioni elencate di seguito potrebbe dar luogo a scossa elettrica, incendi e/o lesioni gravi alle persone.

- ◆ L'uso previsto è descritto in questo manuale. Se questo apparecchio viene utilizzato con accessori o per impieghi diversi da quelli raccomandati in questo manuale vi è il rischio che si verifichino lesioni alle persone.
- ◆ Conservare questo manuale per successiva consultazione.

**Utilizzo dell'apparecchio**

- ◆ Non usare l'apparecchio per aspirare liquidi o materiali che potrebbero incendiarsi.
- ◆ Non usare l'apparecchio vicino all'acqua.
- ◆ Non immergere l'apparecchio in acqua.
- ◆ Non scollegare mai il caricabatteria dalla presa di corrente tirando il cavo di alimentazione. Tenere il cavo di alimentazione del caricabatterie lontano da fonti di calore, olio e bordi taglienti.
- ◆ Questo elettrodomestico può essere usato da bambini dagli 8 anni in su e da persone portatrici di handicap fisici, psichici o sensoriali o che non possiedono la dovuta esperienza o conoscenza, purché siano seguiti o opportunamente istruiti sull'uso sicuro e comprendano i pericoli inerenti.

I bambini non devono giocare con l'elettrodomestico.

Gli interventi di pulizia e di manutenzione da parte dell'utente non devono essere eseguiti da bambini senza supervisione.

## Ispezione e riparazioni

Prima dell'impiego, controllare che l'elettrodomestico non sia danneggiato e non presenti parti difettose. Verificare inoltre che non vi siano parti rotte, interruttori danneggiati o altre condizioni che potrebbero incidere sul suo funzionamento.

- ◆ Non usare l'apparecchio se alcune parti sono danneggiate o difettose.
- ◆ Far riparare o sostituire le parti danneggiate o difettose da un tecnico autorizzato.
- ◆ Controllare a intervalli regolari che il cavo di alimentazione del caricabatterie non sia danneggiato. Sostituire il caricabatterie se il cavo è danneggiato o difettoso.
- ◆ Non tentare di smontare o sostituire alcuna parte, ad eccezione di quelle specificate in questo manuale.

## Istruzioni di sicurezza aggiuntive

### Dopo l'uso

- ◆ Prima di pulire il caricabatterie o la base di carica, scollegare il caricabatterie dalla presa di corrente.
- ◆ Quando non viene usato, l'apparecchio deve essere conservato in un luogo asciutto.
- ◆ L'apparecchio non deve essere riposto alla portata dei bambini.

## Rischi residui

L'utilizzo dell'attrezzo può comportare rischi residui non necessariamente riportati nelle presenti avvertenze di sicurezza. Tali rischi possono sorgere a seguito di un uso prolungato o improprio, ecc. Malgrado il rispetto delle norme di sicurezza pertinenti e l'implementazione di dispositivi di sicurezza, alcuni rischi residui non possono essere evitati. Sono inclusi:

- ◆ lesioni causate o subite a seguito del contatto con parti rotanti/in movimento;
- ◆ lesioni causate o subite durante la sostituzione di parti, lame o accessori.
- ◆ lesioni causate dall'impiego prolungato di un elettrodomestico. (quando si utilizza qualsiasi apparecchio per lunghi periodi, accertarsi di fare regolarmente delle pause);
- ◆ menomazioni uditive;
- ◆ rischi per la salute causati dall'aspirazione di polvere generata dall'utilizzo dell'apparecchio (ad esempio, quando si lavora con il legno, in modo particolare quello di quercia, faggio o l'MDF).

## Caricabatterie

Il caricabatterie è stato progettato per una tensione specifica. Controllare sempre che la tensione di rete corrisponda a quella indicata sulla targhetta dei valori nominali.

**Avvertenza!** Non tentare mai di sostituire la spina caricabatterie con una spina elettrica tradizionale.

- ◆ Usare il caricabatterie BLACK+DECKER solo per caricare la batteria dell'apparecchio con il quale è stato fornito. Batterie diverse potrebbero scoppiare, causando lesioni a persone e danni alle cose.
- ◆ Non tentare mai di caricare batterie non ricaricabili.
- ◆ In caso di danneggiamento del cavo di alimentazione, farlo riparare dal produttore o presso un Centro di assistenza BLACK+DECKER autorizzato, in modo da evitare pericoli.
- ◆ Non lasciare che il caricabatterie si bagni.
- ◆ Non aprire il caricabatterie.
  
- ◆ Non collegare il caricabatterie a sonde.
- ◆ L'apparecchio o la batteria devono essere lasciati in una zona ben ventilata durante la carica.



BHFEV182B, BHFEV182C, BHFEV182CP  
 utilizzano il caricabatterie S010\*\*2400040 /  
 SSC-250040\*\*

### Caratteristiche

Questo elettrotensile presenta alcune o tutte le seguenti caratteristiche.

1. Pulsante di accensione/spengimento
2. Interruttore di alimentazione a 3 velocità
- 2a. Pulsante di attivazione barra battitappeto
3. Indicatore dello stato di carica
- 3a. Senso del filtro
4. Batteria da 18V (disponibile con le unità BHFEV182C, BHFEV182CP)
5. Caricabatteria da 18V e stazione di ricarica (disponibile con le unità BHFEV182C, BHFEV182CP)
6. Sollevare il contenitore raccogli-polvere con l'agitatore per filtri
7. Sportello contenitore raccogli-polvere
8. Spazzola per pavimenti
9. Tubo di prolunga rigido
10. Accessorio multifunzione 2 in 1 (disponibile per l'ordinazione attraverso il servizio clienti)
11. Bocchetta a lancia (disponibile con unità BHFEV182B, BHFEV182C, BHFEV182CP)
12. Ferma accessori
13. Spazzola per rimuovere i peli di animali domestici (disponibile con le unità BHFEV182CP)
14. Spazzola raccogli-polvere a bocca larga (disponibile per l'ordinazione tramite il servizio clienti)
15. Porta di ricarica

### Caricamento di una batteria

I caricabatterie BLACK+DECKER sono progettati per la ricarica dei pacchi batteria BLACK+DECKER.

**Nota:** Per garantire le massime prestazioni e la durata dei pacchi batteria agli ioni di litio:

- ◆ Caricare completamente il pacco batteria prima del primo impiego.
  - ◆ Ricaricare le batterie scariche il più presto possibile dopo ogni utilizzo.
  - ◆ Non scaricare completamente le batterie.
- Il caricabatterie in dotazione offre tre possibilità di ricarica della batteria.
1. Solo ricarica standard
  2. Ricarica a parete
  3. Ricarica sospesa a parete

### 1. Caricamento standard (Fig. A)

- ◆ Collegare il caricabatterie (5) a una presa di corrente adatta prima di inserire la batteria (4).
- ◆ Inserire la batteria nel caricabatterie.

## Sicurezza elettrica

### Simboli sul caricabatterie



Leggere attentamente il presente manuale prima di usare l'apparecchio.



Il doppio isolamento di cui è provvisto l'apparecchio rende superfluo il filo di terra. Assicurarsi che la tensione della rete di alimentazione corrisponda al valore indicato sulla targhetta dei valori nominali.



La base di carica è destinata esclusivamente all'uso in ambienti interni.

### Etichette sull'apparecchio

Sull'apparecchio sono presenti i seguenti simboli, assieme al codice data



Leggere attentamente questo manuale prima di usare l'apparecchio

- ◆ Quando si utilizza il caricabatteria un LED verde lampeggia a indicare che la batteria è in carica.
- ◆ Il completamento della carica sarà indicato dal LED verde che rimane continuamente acceso. La batteria a quel punto è completamente carica e può essere utilizzata in subito o lasciata nel caricabatterie.
- ◆ Il caricabatterie può essere inserito nella stazione di ricarica (5a) come mostrato nella figura A.

## 2. Ricarica della batteria a parete

- ◆ Marcare la posizione dei fori delle viti della stazione di ricarica (5a) sulla parete (in prossimità di una presa di corrente per la carica dell'aspirapolvere quando è montato sulla stazione di ricarica).
- ◆ Fissare la stazione di ricarica (5a) sulla parete usando viti e tasselli di tipo idoneo al tipo di parete e al peso dell'elettrodomestico.
- ◆ Inserire il caricabatterie (5) nella stazione di ricarica (5a). Assicurarsi che sia bloccato in posizione prima di procedere.

**Nota:** Per rimuovere il caricabatterie dalla stazione di ricarica, tirare in fuori le linguette di ritenzione e sollevare il caricabatterie.

- ◆ Collegare il caricabatterie a una presa di corrente adatta prima di inserire la batteria.
- ◆ Far scorrere la batteria nella stazione di ricarica.

## 3. Stoccaggio dell'aspirapolvere a parete e ricarica della batteria

Il prodotto può essere fissato a parete per avere un posto comodo dove riporre l'elettrodomestico e dove caricarlo. Quando si fissa la staffa sulla parete, accertarsi che il metodo di montaggio usato sia idoneo al tipo di parete e al peso dell'elettrodomestico.

- ◆ Marcare la posizione dei fori delle viti della stazione di ricarica sulla parete (in prossimità di una presa di corrente per la carica dell'aspirapolvere quando è montato sulla stazione di ricarica).
- ◆ Fissare la stazione di ricarica alla parete usando viti e tasselli di tipo idoneo al tipo di parete e al peso dell'apparecchio.
- ◆ Inserire il caricabatterie nella stazione di ricarica. Assicurarsi che sia bloccato in posizione prima di procedere.

**Nota:** Per rimuovere il caricabatterie dalla base di ricarica, tirare in fuori le linguette di ritenzione e sollevare il caricabatterie.

- ◆ Collegare il caricabatterie ad una presa di corrente adatta.
- ◆ Con la batteria inserita sull'aspirapolvere, far scorrere la porta di ricarica (15), situata sulla base dell'aspirapolvere, sulle guide della stazione di ricarica (5a).
- ◆ Il LED bianco (3) sull'aspirapolvere lampeggia mentre la ricarica è in corso.

- ◆ Le sezioni dei LED aumentano quando la batteria è carica - quando è completamente carica, i LED si spengono. La batteria a quel punto è completamente carica e può essere utilizzata in subito o lasciata nel caricabatterie.

### Batteria lasciata nel caricabatterie

Il caricabatterie e il pacco batteria possono essere lasciati collegati con il LED verde sempre acceso. Il caricabatterie manterrà la batteria come nuova e completamente carica.

### Per installare il pacco batteria (fig. B)

- ◆ Inserire la batteria (4) finché non si sente un clic come mostrato in figura B.
- ◆ Assicurarsi che la batteria sia insediata a fondo e completamente bloccata in posizione.

### Per rimuovere il battery pack

- ◆ Premere il pulsante di rilascio della batteria ed estrarre la batteria (4) dall'elettrodomestico.

### Montaggio (Fig. C)

- ◆ Allineare la parte superiore del tubo di prolunga (9) alla presa di aspirazione (16) come mostrato in figura C.
- ◆ Spingere il tubo di prolunga (9) sulla presa di aspirazione (16) in modo che si blocchi in posizione.
- ◆ Allineare il fondo del tubo di prolunga (9) alla spazzola per pavimenti (8) come mostrato in figura C.
- ◆ Spingere il fondo del tubo di prolunga (9) sulla spazzola per pavimenti (8) in modo che si blocchi in posizione.
- ◆ Per rimuovere un accessorio, premere il dispositivo di sgancio degli accessori situato sull'accessorio e rimuoverlo.

### USO

Questo aspirapolvere può essere utilizzato in una di quattro modalità.

- ◆ Con il tubo di prolunga (9) e la spazzola per pavimenti (8) come mostrato in figura C.
- ◆ Con la spazzola per pavimenti (8) e la presa di aspirazione (16) come mostrato in figura D.
- ◆ Con il tubo di prolunga (9) e un accessorio multifunzione (10), (11), (13) o (14) come mostrato in figura E.
- ◆ Con un accessorio multifunzione (10), (11), (13) o (14) e la presa di aspirazione (16) come mostrato in figura E.
- ◆ Gli accessori non forniti con l'unità possono essere ordinati tramite il servizio assistenza.

### Accensione e spegnimento (Fig. F)

- ◆ Per accendere l'aspirapolvere, premere il pulsante di accensione/spegnimento (1).
- ◆ Per una maggiore potenza, far scorrere in avanti l'interruttore di alimentazione variabile (2).

**Nota:** La spazzola per pavimenti (8) si accende quando è collegata all'aspirapolvere o al tubo di prolunga (può essere spenta premendo il pulsante 2a sul display). Le torce a LED sulla parte anteriore della spazzola per pavimenti si accendono quando il pulsante di attivazione della barra battitappeto (2a) è acceso (possono essere spente premendo nuovamente il pulsante).

**Nota:** i LED dell'indicatore dello stato di carica (3) si illuminano mentre l'aspirapolvere è acceso o durante il processo di ricarica.

- ◆ Per spegnere l'aspirapolvere, premere il pulsante di accensione/spegnimento (1).
- ◆ Reinscrivere il prodotto nel caricabatterie subito dopo l'uso in modo che sia pronto e completamente carico per l'utilizzo successivo. Assicurarsi che il prodotto sia completamente inserito nello spinotto del caricabatterie.

### Utilizzo di un accessorio (Fig. G)

L'aspirapolvere con alcuni dei seguenti utensili.

- ◆ Accessorio multifunzione 2 in 1 (10)
- ◆ Bocchetta a lancia (11).
- ◆ Spazzola per rimuovere i peli di animali domestici (13).
- ◆ Spazzola raccogli-polvere a bocca larga (14).
- ◆ L'accessorio (10), (11), (13) o (14) può essere collegato direttamente al connettore del tubo flessibile (6) oppure alla presa di aspirazione (5), come illustrato nella Fig. J.
- ◆ Allineare la parte superiore dell'accessorio multifunzione (10), (11), (13) o (14) alla presa di aspirazione (16) o al collegamento del tubo di prolunga (9a) e spingere in posizione in modo che si blocchi in posizione come mostrato in figura G.

		BHF/EV1/2P/B	BHF/EV1/2C	BHF/EV1/2CP
10	2 in 1 Accessory			
11	Crevice tool	√	√	√
12	Accessory storage clip	√	√	√
13	Pet hair tool			√
14	Wide mouth dust brush			

- ◆ Tutti disponibili attraverso il dipartimento di assistenza

### Pulizia e svuotamento dell'aspirapolvere

#### Senso del filtro

Quando un filtro è ostruito e necessita di pulizia, il LED filtro rosso (3) nel telaio si illumina.

#### Agitatore per filtri (Fig. H)

Rimuovere il contenitore raccogli-polvere (6) sollevandolo dal telaio (17), girare la ruota dell'agitatore del filtro 5 - 10 volte per rimuovere la polvere in eccesso dal filtro aumentandone così le prestazioni.

**Nota:** Si consiglia di agitare quando l'unità viene svuotata e il pre-filtro rimosso.

**Nota:** Si avrà la raccolta ottimale della polvere solo con filtri puliti e un contenitore raccogli-polvere vuoto. Se la polvere comincia a fuoriuscire dal prodotto quando viene spento, significa che il contenitore polvere è pieno e deve essere svuotato.

#### Per svuotare il contenitore raccogli-polvere (Fig. I, J)

- ◆ Rimuovere il contenitore raccogli-polvere sollevandolo (6) dal telaio (17) come mostrato in figura I.
- ◆ Posizionare il contenitore raccogli-polvere sopra un cestino e premere il pulsante di rilascio del coperchio del contenitore raccogli-polvere (6a) per svuotare il contenitore raccogli-polvere come mostrato nella figura J.
- ◆ Chiudere il coperchio del contenitore raccogli-polvere (7) finché non "scatta" saldamente in posizione.
- ◆ Inserire nuovamente il contenitore raccogli-polvere (6) sul telaio (17).

#### Rimozione del pre-filtro (Fig. K)

- ◆ Rimuovere il contenitore raccogli-polvere sollevandolo (6) dal telaio (17) come mostrato in figura I.
- ◆ Posizionare il contenitore raccogli-polvere sopra un cestino della spazzatura e premere il pulsante di rilascio del coperchio del contenitore raccogli-polvere (6a) per svuotare il contenitore raccogli-polvere come mostrato nella figura J.
- ◆ Utilizzare l'indice e il pollice per schiacciare il pre-filtro (18), tirare il pre-filtro (18) dal contenitore raccogli-polvere (6) come mostrato in figura K.

**Nota:** L'alloggiamento del filtro si inserisce perfettamente nel contenitore raccogli-polvere e potrebbe essere difficile da rimuovere inizialmente.

- ◆ Svuotare il contenitore raccogli-polvere.
- ◆ Inserire il pre-filtro (18) nel contenitore raccogli-polvere (6) assicurandosi che la linguetta del contenitore raccogli-polvere (20) sia allineata allo slot del pre-filtro (19) come mostrato nella figura K.
- ◆ Installare il contenitore polvere sull'aspirapolvere, finché non "scatta" saldamente in posizione.

#### Rimozione del filtro (Fig. L)

- ◆ Rimuovere il contenitore raccogli-polvere sollevandolo (6) dal telaio (17) come mostrato in figura I.
- ◆ Posizionare il contenitore raccogli-polvere sopra un cestino della spazzatura e premere il pulsante di rilascio del coperchio del contenitore raccogli-polvere (6a) per svuotare il contenitore raccogli-polvere come mostrato nella figura J.
- ◆ Afferrare l'alloggiamento della ruota dell'agitatore (21) e tirarlo verso l'alto per rimuoverlo.
- ◆ Rimuovere il filtro (22), dall'alloggiamento della ruota dell'agitatore (21) come mostrato in figura L.
- ◆ Scuotere o spazzolare leggermente per eliminare la polvere dal filtro.

- ◆ Inserire il filtro (22) nell'alloggiamento della ruota dell'agitatore (21).
- ◆ Inserire l'alloggiamento della ruota dell'agitatore (21) sul contenitore raccogli-polvere, finché non "scatta" saldamente in posizione.

### Pulitura dei filtri

- ◆ Una volta che il filtro e il pre-filtro sono stati rimossi dal contenitore raccogli-polvere, scuotere o rimuovere delicatamente la polvere dal pre-filtro e dal filtro.
- ◆ Sciacquare il contenitore raccogli-polvere (6) con acqua calda e sapone.
- ◆ Lavare i filtri in acqua calda saponata.
- ◆ Assicurarsi che i filtri siano completamente asciutti (24 ore) prima di reinserirli.
- ◆ Seguire le istruzioni nelle sezioni "Rimozione del pre-filtro e Rimozione del filtro" per le istruzioni di assemblaggio.

**Nota:** Si avrà la raccolta ottimale della polvere solo con filtri puliti e un contenitore raccogli-polvere vuoto. Se la polvere comincia a fuoriuscire dal prodotto quando viene spento, significa che il contenitore polvere è pieno e deve essere svuotato o che è presente un blocco.

- ◆ Lavare regolarmente i filtri utilizzando acqua calda saponata e accertarsi che siano perfettamente asciutti prima del riutilizzo degli stessi. Le prestazioni del prodotto sono migliori, tanto più che il filtro è pulito.
- ◆ È molto importante che i filtri siano completamente asciutti e nella posizione corretta prima dell'uso.

### Rimozione e pulizia delle spazzole rotanti (Fig. M)

**Avvertenza!** Per ridurre il rischio di lesioni derivanti dalle parti in movimento, scollegare la batteria prima di pulire l'apparecchio o sottoporlo a manutenzione.

- ◆ Per rimuovere la spazzola rotante (23) dalla spazzola per pavimenti (8) premere il pulsante di rilascio (24), come illustrato nella Figura M.
- ◆ Sollevare la spazzola rotante dalla posizione bloccata.
- ◆ A quel punto è possibile rimuovere la spazzola rotante (23).
- ◆ Pulire la spazzola rotante e reinserirla. Assicurarsi che sia fissata in posizione di blocco prima dell'uso.

### Stoccaggio

L'unità può essere ritirata in modo sicuro utilizzando la stazione di ricarica (5a) come mostrato nella figura N.

### Manutenzione

Questo apparecchio senza filo BLACK+DECKER è stato progettato per funzionare a lungo con una manutenzione minima. Prestazioni sempre soddisfacenti dipendono da una cura appropriata e da una pulizia regolare.

**Avvertenza!** Prima di qualsiasi operazione di manutenzione sugli apparecchi senza filo, svolgere le operazioni descritte di seguito.

- ◆ Rimuovere la batteria.
- ◆ Scollegare il caricabatterie dalla spina prima di pulirlo. Il caricabatterie non richiede alcuna manutenzione, ad eccezione di una regolare pulizia.
- ◆ Pulire regolarmente le prese di ventilazione dell'apparecchio/del caricabatterie con un pennello morbido o con un panno asciutto.
- ◆ Pulire regolarmente il vano del motore con un panno umido. Non usare materiali abrasivi o detergenti a base di solventi.

### Sostituzione dei filtri

I filtri devono essere sostituiti ogni 6 - 9 mesi e quando sono usurati o danneggiati.

I filtri di ricambio sono reperibili presso il proprio rivenditore BLACK+DECKER.

- ◆ Rimuovere i vecchi filtri come descritto sopra.
- ◆ Inserire i nuovi filtri come descritto sopra.

### Risoluzione dei problemi

Problema	Possibile causa	Possibile soluzione
L'unità non si avvia.	La batteria non è stata caricata.	Controllare i requisiti di carica della batteria.
	Blocco.	Controllare il tubo della spazzola per pavimenti.
		Controllare il tubo di prolunga.
		Controllare tra il tubo di prolunga e il contenitore
La barra battitappeto smette di funzionare.	Ostruzione.	L'unità è dotata di una funzione di protezione da sovraccarico della barra battitappeto. Rimuovere e pulire la barra battitappeto per eliminare tutti i detriti e le ostruzioni
Il pacco batteria non si carica.	Il caricabatterie non è collegato a una presa di corrente.	Collegare il caricabatterie a una presa di corrente funzionante. Consultare "Note importanti sulla carica" per ulteriori dettagli.
	La temperatura dell'aria circostante è troppo alta o troppo bassa	Spostare il caricabatterie e il pacco batteria dove la temperatura è superiore a 4 °C o inferiore a +40 °C.

### Protezione dell'ambiente



Raccolta differenziata. I prodotti e le batterie contrassegnati con questo simbolo non devono essere smaltiti con i rifiuti domestici normali.

Prodotti e batterie contengono materiali che possono essere recuperati o riciclati, riducendo la richiesta di materie prime. Riciclare i prodotti elettrici e le batterie attenendosi alle disposizioni locali vigenti. Ulteriori informazioni sono disponibili all'indirizzo [www.2helpU.com](http://www.2helpU.com).

#### Dati tecnici

	BHFEV182B*	BHFEV182C	BHFEV182CP
Tensione	18	18	18
Watt Ore		36	36
Peso	2,8	3,17	3,23
Batteria		BL2018	BL2018
Caricabatterie	S010**2400040 / SSC-250040**	S010**2400040 / SSC-250040**	S010**2400040 / SSC-250040**
Tempo di ricarica approssimativo		5h	5h

\* BHFEV182B è un'unità nuda e non viene fornita con una batteria o un caricabatteria.

#### Garanzia

Black & Decker è certa della qualità dei propri prodotti e offre ai consumatori una garanzia di 24 mesi dalla data di acquisto. Il presente certificato di garanzia è complementare ai diritti legali e non li pregiudica in alcun modo. La garanzia è valida nei territori degli Stati membri dell'Unione Europea o dell'EFETA (Associazione europea di libero scambio).

Per attivare la garanzia, il reclamo deve essere effettuato in accordo con i Termini e Condizioni Black&Decker e sarà necessario presentare la prova di acquisto al venditore o all'agente di riparazione autorizzato.

I Termini e condizioni della garanzia Black&Decker di 2 anni e la sede del tecnico riparatore autorizzato più vicino sono consultabili su Internet all'indirizzo [www.2helpU.com](http://www.2helpU.com), o contattando l'ufficio Black&Decker di zona all'indirizzo postale indicato in questo manuale.

Visitare il nostro sito [www.blackanddecker.it](http://www.blackanddecker.it) per registrare il prodotto Black&Decker appena acquistato e ricevere gli aggiornamenti su nuovi prodotti e offerte speciali.

#### Bedoeld gebruik

Uw BLACK+DECKER BHFEV182B, BHFEV182C, BHFEV182CP 4 in 1 snoerloze handstofzuiger is ontworpen voor stofzuigen en schoonmaken. Deze apparaten zijn uitsluitend bestemd voor huishoudelijk gebruik.



Lees deze handleiding aandachtig geheel door voordat u het apparaat in gebruik neemt.

#### Veiligheidsinstructies



**Waarschuwing! Lees alle veiligheidswaarschuwingen en alle instructies.** Wanneer de volgende waarschuwingen en voorschriften niet in acht worden genomen, kan dit een elektrische schok, brand of ernstig letsel tot gevolg hebben.

- ◆ In deze handleiding wordt het bedoeld gebruik beschreven. Het gebruik van accessoires of hulpstukken of het uitvoeren van handelingen anders dan die in deze gebruikershandleiding worden aanbevolen, kan een risico van persoonlijk letsel geven.
- ◆ Bewaar deze handleiding zodat u deze nog eens kunt raadplegen.

#### Het apparaat gebruiken

- ◆ Gebruik het apparaat niet voor het opzuigen van vloeistoffen of materialen die vlam kunnen vatten.
- ◆ Gebruik het apparaat niet in de buurt van water.
- ◆ Dompel het apparaat niet onder in water.

- ◆ Trek nooit aan het snoer wanneer u de stekker van de lader uit het stopcontact wilt halen. Houd de lader uit de buurt van warmtebronnen, olie en scherpe randen.
- ◆ Dit apparaat mag worden gebruikt door kinderen van 8 jaar en ouder en personen die lichamelijk of geestelijk minder valide zijn of die geen ervaring met of kennis van dit apparaat hebben, mits zij onder toezicht staan of instructies krijgen voor een veilige manier van gebruiken van het apparaat en inzicht hebben in de mogelijke gevaren. Kinderen mogen niet met het apparaat spelen. Laat kinderen nooit zonder toezicht het gereedschap schoonmaken of onderhouden.

### Inspectie en reparaties

Controleer het apparaat vóór gebruik op beschadigingen en defecten. Controleer het apparaat op gebroken onderdelen, schade aan de schakelaars en andere omstandigheden die de werking ervan kunnen beïnvloeden.

- ◆ Gebruik het apparaat niet als een of meer onderdelen beschadigd of defect is.
- ◆ Laat beschadigde of defecte onderdelen door een geautoriseerd servicecentrum repareren of vervangen.
- ◆ Controleer het snoer van de lader regelmatig op beschadigingen. Vervang de lader als het snoer beschadigd of defect is.

- ◆ Probeer nooit andere onderdelen te verwijderen of te vervangen dan de onderdelen die in deze handleiding worden genoemd.

### Aanvullende Veiligheidsinstructies

#### Na gebruik

- ◆ Trek de stekker van de lader uit het stopcontact voordat u de lader en het laadstation schoonmaakt.
- ◆ Berg het apparaat wanneer u het niet gebruikt, op een droge plaats op.
- ◆ Houd apparaten buiten het bereik van kinderen, ook wanneer ze zijn opgeborgen.

#### Overige risico's

Er kunnen zich bij het gebruik van dit gereedschap nog meer risico's voordoen, die mogelijk niet in de bijgesloten veiligheidswaarschuwingen worden beschreven. Deze risico's kunnen zich voordoen door onoordeelkundig gebruik, langdurig gebruik, enz.

Zelfs wanneer de veiligheidsvoorschriften in acht worden genomen en de veiligheidsvoorzieningen worden gebruikt, kunnen bepaalde risico's niet worden uitgesloten. Dit zijn onder meer:

- ◆ Verwondingen die worden veroorzaakt door het aanraken van draaiende of bewegende onderdelen.
- ◆ Verwondingen die worden veroorzaakt bij het vervangen van onderdelen, messen of accessoires.

- ◆ Verwondingen die worden veroorzaakt door langdurig gebruik van gereedschap. Wanneer u langere periodes met gereedschap werkt, kunt u het beste regelmatig een pauze nemen.
- ◆ Gehoorbeschadiging.
- ◆ Gezondheidsrisico's door het inademen van stof dat vrijkomt tijdens het gebruik van uw gereedschap (bijvoorbeeld: het werken met hout, met name eiken, beuken en MDF).

- ◆ Plaats het apparaat/de accu tijdens het laden op een goed geventileerde locatie.

## Elektrische veiligheid

### Symbolen op de lader



Lees deze handleiding zorgvuldig door voordat u het apparaat in gebruik neemt.



Dit gereedschap is dubbel geïsoleerd. Een aardeaansluiting is daarom niet nodig. Controleer altijd dat de stroomvoorziening overeenkomt met de voltage op het typeplaatje.



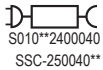
Het laadstation is uitsluitend bestemd voor gebruik binnenshuis.

### Labels op het apparaat

Naast de datumcode worden op het apparaat de volgende pictogrammen vermeld



Lees deze handleiding zorgvuldig door voordat u het apparaat in gebruik neemt



BHFEV182B, BHFEV182C, BHFEV182CP  
gebruik lader S010\*\*2400040 /  
SSC-250040\*\*

### Functies

Dit gereedschap is voorzien van enkele of alle van de volgende functies.

1. Aan/uit-knop
2. 3 Snelheden schakelaar
- 2a. Klopborstel aan/uit-knop
3. Laadniveau-indicator
- 3a. Filtersensor
4. 18V Accu (beschikbaar bij BHFEV182C, BHFEV182CP)
5. 18V lader en laadstation (beschikbaar bij BHFEV182C, BHFEV182CP)
6. Verwijderbare stofcontainer met filtertrommel
7. Deur stofcontainer
8. Vloerkop
9. Verlengstuk
10. 2 in 1 Hulpstuk (verkrijgbaar via de klantenservice)
11. Kierenhulpstuk (beschikbaar bij BHFEV182B, BHFEV182C, BHFEV182CP)
12. Klem opslag hulpstukken
13. Huidsharen hulpstuk (beschikbaar bij BHFEV182CP)
14. Brede stofborstel (verkrijgbaar via de klantenservice)
15. Laadpoort

## Laders

De lader is ontworpen voor een bepaalde spanning. Controleer altijd dat de netspanning overeenkomt met de waarde op het typeplaatje.

**Waarschuwing!** Probeer nooit de lader te voorzien van een normale netstekker.

- ◆ Gebruik de lader van BLACK+DECKER alleen voor de accu's in het apparaat waarbij de lader is geleverd. Andere batterijen kunnen openbarsten, met persoonlijk letsel en materiële schade tot gevolg.
- ◆ Niet-oplaadbare accu's mogen nooit worden opgeladen.
- ◆ Als het netsnoer is beschadigd, moet het door de fabrikant of door een geautoriseerd BLACK+DECKER-servicecentrum worden vervangen, zodat gevaarlijke situaties worden voorkomen.
- ◆ Stel de lader niet bloot aan water.
- ◆ Maak de lader niet open.
- ◆ Steek niet met een scherp voorwerp in de lader.

## Een accu opladen

BLACK+DECKER laders zijn ontworpen voor het opladen van BLACK+DECKER accu's.

**Opmerking:** Voor optimale prestaties en een lange levensduur van lithium

ion accu's:

- ◆ Laad de accu helemaal op voordat u deze voor de eerste keer gebruikt.
- ◆ Laad lege accu's zo snel mogelijk op na ieder gebruik.
- ◆ Laat accu's nooit volledig ontladen.

Met de meegeleverde lader kunt u uw accu op drie manieren opladen.

1. Via de standaard lader
2. Via de standaard lader aan de muur bevestigd
3. Als u het apparaat ophangt

### 1. Standaard laadstation (Afb. A)

- ◆ Steek de lader (5) in een geschikt stopcontact voordat u de accu (4) plaatst.
- ◆ Plaats de accu in de lader.
- ◆ Wanneer u de lader gebruikt geeft een knipperend groen lampje aan dat de accu wordt opgeladen.
- ◆ Wanneer de accu geheel is opgeladen, blijft het groene lampje ononderbroken branden. De accu is volledig opgeladen en kan worden gebruikt of in de lader blijven zitten.
- ◆ De lader kan in het laadstation (5a) worden gestoken, zoals afgebeeld in Afbeelding A.

### 2. Via de standaard lader aan de muur bevestigd

- ◆ Markeer de locatie van de laadstation schroefgaten (5a) op de muur (binnen bereik van een stopcontact) zodat u de stofzuiger kunt opladen via het laadstation.
- ◆ Bevestig het laadstation (5a) aan de wand met behulp van schroeven en pluggen die geschikt zijn voor het wandtype en voor het gewicht van het apparaat.
- ◆ Plaats de lader (5) in het laadstation (5a). Zorg ervoor dat deze goed vastklikt voordat u verder gaat.

**Opmerking:** Om de lader uit het laadstation te verwijderen trekt u aan de vergrendelingslipjes en tilt u de lader uit het laadstation.

- ◆ Steek de lader in een geschikt stopcontact voordat u de accu plaatst.
- ◆ Schuif de accu in het laadstation.

### 3. Opbergen aan de muur en accu opladen

Het apparaat kan aan een wand worden bevestigd zodat het gemakkelijk kan worden opgeborgen en opgeladen. Kies bij wandmontage een bevestigingsmethode die geschikt is voor het type wand en het gewicht van het apparaat.

- ◆ Markeer de locatie van de laadstation schroefgaten op de muur (binnen bereik van een stopcontact zodat u de stofzuiger kunt opladen via het laadstation).

- ◆ Bevestig het laadstation aan de wand met behulp van schroeven en pluggen die geschikt zijn voor het wandtype en voor het gewicht van het apparaat.
- ◆ Plaats de lader in het laadstation. Zorg ervoor dat deze goed vastklikt voordat u verder gaat.

**Opmerking:** Om de lader uit het laadstation te verwijderen trekt u aan de vergrendelingslipjes en tilt u de lader uit het laadstation.

- ◆ Steek de lader in een geschikt stopcontact.
- ◆ Met de accu in de stofzuiger, schuif de laadpoort (15), deze bevindt zich aan de onderkant van de stofzuiger, op de rails van het laadstation (5a).
- ◆ Het witte lampje (3) op de stofzuiger gaat knipperen om aan te geven dat de accu wordt opgeladen.
- ◆ Het aantal brandende lampjes wordt steeds groter als de accu wordt opgeladen - zodra de accu volledig is opgeladen gaan alle lampjes uit. De accu is volledig opgeladen en kan worden gebruikt of in de lader blijven zitten.

### De accu in de lader laten

U kunt de accu voor onbepaalde tijd in de lader laten zitten en de groene LED blijft branden. De lader houdt de accu volledig opgeladen.

### De accu plaatsen (Afb. B)

- ◆ Steek de accu (4) in het gereedschap tot u een klik hoort, zoals afgebeeld in afbeelding B.
- ◆ Controleer of de accu geheel op z'n plaats zit en goed is vergrendeld.

### De accu uitnemen

- ◆ Druk op de accuvrijgaveknop en trek de accu (4) uit het gereedschap.

### Montage (Afb. C)

- ◆ Houd de bovenzijde van het verlengstuk (9) van de stang tegenover de opening (16) van de stofzuiger, zoals afgebeeld in Afb. C.
- ◆ Duw het verlengstuk (9) van de stang op de opening (16) van de stofzuiger, zodat het op z'n plaats wordt vergrendeld.
- ◆ Houd de onderzijde van het verlengstuk (9) van de stang tegenover de vloerkop (8), zoals afgebeeld in Afb. C.
- ◆ Duw de onderzijde van het verlengstuk (9) van de stang op de vloerkop (8) zodat het op z'n plaats wordt vergrendeld.
- ◆ U kunt een hulpstuk verwijderen door op de hulpstuk vrijgaveknop te drukken en het hulpstuk los te trekken.

### GEBRUIK

U kunt de stofzuiger op vier verschillende manieren gebruiken.

- ◆ Met het verlengstuk (9) en de vloerkop (8), zoals afgebeeld in Afb. C.
- ◆ Met de vloerborstel (8) en de stofzuiger (16), zoals afgebeeld in afbeelding D.

- ◆ Met het verlengstuk (9) en een hulpstuk (10), (11), (13) of (14), zoals afgebeeld in afbeelding E.
- ◆ Met een hulpstuk (10), (11), (13) of (14) en de stofzuiger (16), zoals afgebeeld in afbeelding E.
- ◆ Hulpstukken die niet met uw stofzuiger worden meegeleverd kunt u bestellen via de klantenservice.

### In- en Uitschakelen (Afb. F)

- ◆ Schakel het apparaat IN door op de Aan/Uit-knop (1) te drukken.
- ◆ Voor meer vermogen kunt u de standenschakelaar (2) naar voren schuiven.

**Opmerking:** De vloerborstel (8) schakelt in zodra deze aan de stofzuiger of het verlengstuk wordt bevestigd (u kunt de borstel uitschakelen door op toets 2a op het display te drukken). De werkklampjes aan de voorkant van de vloerkop gaan branden zodra de klopborstel aan/uit-knop (2a) wordt ingeschakeld (u kunt de lampjes uitschakelen door nogmaals op de knop te drukken).

**Opmerking:** De lampjes van de laadniveau-indicator (3) branden zolang de stofzuiger is ingeschakeld of wanneer de accu wordt opgeladen.

- ◆ Schakel het apparaat UIT door op de Aan/Uit-knop (1) te drukken.
- ◆ Zet het apparaat na gebruik weer op de lader zodat het opgeladen en klaar voor gebruik is als u het de volgende keer nodig hebt. Controleer dat de stekker van de lader goed is bevestigd.

### Een hulpstuk gebruiken (Afb. G)

Uw stofzuiger kan met enkele van de volgende hulpstukken worden geleverd.

- ◆ 2 in 1 hulpstuk (10)
- ◆ Kierenhulpstuk (11).
- ◆ Huisdierharen hulpstuk (13).
- ◆ Brede stofborstel (14).
- ◆ De hulpstukken (10), (11), (13) of (14) kunnen direct op het verlengstuk (6) of op de stofzuiger (5) worden geplaatst, zoals afgebeeld in Afb. J.
- ◆ Houd de bovenkant van het hulpstuk (10), (11), (13) of (14) op één lijn met de stofzuiger (16) of het verlengstuk (9a) en duw het op zijn plaats tot het vastklikt, zoals afgebeeld in afbeelding G.

		BHFEV182B	BHFEV182C	BHFEV182CP
10	2 in 1 Accessory			
11	Crevice tool	✓	✓	✓
12	Accessory storage clip	✓	✓	✓
13	Pet hair tool			✓
14	Wide mouth dust brush			

- ◆ U kunt alle hulpstukken bestellen via onze klantenservice

## De stofzuiger reinigen en leegmaken

### Filtersensor

Wanneer een filter verstopt is en moet worden schoongemaakt gaat het rode filter lampje (3) op de stofzuiger branden.

### Filtertrommel (Afb. H)

Verwijder de stofcontainer (6) van de stofzuiger (17), draai het filtertrommelwiel 5 - 10 keer om stof uit het filter te verwijderen en de prestaties van het filter te verhogen.

**Opmerking:** Wij raden aan dat u de filtertrommel leegmaakt zodra u de stofcontainer en het voorfilter hebt verwijderd.

**Opmerking:** De stofzuiger werkt alleen optimaal met schone filters en een lege stofcontainer. Als er stof uit het apparaat valt wanneer u het uitschakelt, wijst dat erop dat de stofcontainer vol is en moet worden geleegd.

### De stofcontainer leegmaken (Afb. I, J)

- ◆ Til de stofcontainer (6) op en verwijder deze uit het apparaat (17), zoals afgebeeld in afbeelding I.
- ◆ Houd de stofcontainer boven een prullenbak en druk op de vrijgaveknop (6a) om de stofcontainer te legen, zoals afgebeeld in afbeelding J.
- ◆ Sluit het deksel van de stofcontainer (7) tot deze goed vastklikt.
- ◆ Plaats de stofcontainer (6) weer terug in de stofzuiger (17).

### Het voorfilter verwijderen (Afb. K)

- ◆ Til de stofcontainer (6) op en verwijder deze uit het apparaat (17), zoals afgebeeld in afbeelding I.
- ◆ Houd de stofcontainer boven een prullenbak en druk op de vrijgaveknop (6a) om de stofcontainer te legen, zoals afgebeeld in afbeelding J.
- ◆ Gebruik uw wijsvinger en duim om het voorfilter (18) vast te pakken, trek het voorfilter (18) uit de stofcontainer (6), zoals afgebeeld in afbeelding K.

**Opmerking:** Het voorfilter past precies in de stofcontainer en is daarom soms wat lastig te verwijderen.

- ◆ Leeg de stofcontainer.
- ◆ Plaats het voorfilter (18) in de stofcontainer (6) let goed op dat de stofcontainer nok (20) goed op één lijn zit met de voorfilter gleuf (19), zoals afgebeeld in afbeelding K.
- ◆ Plaats de stofcontainer op de stofzuiger tot deze goed vastklikt.

### Filter verwijderen (Afb. L)

- ◆ Til de stofcontainer (6) op en verwijder deze uit het apparaat (17), zoals afgebeeld in afbeelding I.
- ◆ Houd de stofcontainer boven een prullenbak en druk op de vrijgaveknop (6a) om de stofcontainer te legen, zoals afgebeeld in afbeelding J.
- ◆ Pak de behuizing van het filtertrommelwiel (21) vast en trek eraan om het te verwijderen.

- ◆ Verwijder het filter (22) uit de filtertrommel behuizing (21), zoals afgebeeld in afbeelding L.
- ◆ Schud stof in het filter voorzichtig los of verwijder het met een borstel.
- ◆ Plaats het filter (22) in de filtertrommel behuizing (21).
- ◆ Plaats de filtertrommel (21) op de stofcontainer, tot deze goed vastklikt.

**De filters reinigen**

- ◆ Als het filter en het voorfilter uit de stofcontainer zijn verwijderd, schud ze dan voorzichtig of verwijder stof uit het filter en het voorfilter met een borstel.
- ◆ Spoel de stofcontainer (6) uit met een warm sopje.
- ◆ Was de filters in een warm sopje.
- ◆ Controleer of de filters goed droog zijn (24 uur) voordat u ze terugplaatst.
- ◆ Volg de instructies in de hoofdstukken “Het voorfilter verwijderen en Filter verwijderen” om ze weer terug te plaatsen.

**Opmerking:** De stofzuiger werkt alleen optimaal met schone filters en een lege stofcontainer. Als er stof uit het apparaat valt wanneer u het uitschakelt wijst dat erop dat de stofcontainer vol is en moet worden geleegd, of dat er een verstopping is.

- ◆ Was de filters regelmatig uit in een warme zeepoplossing. Let erop dat u ze pas weer kunt gebruiken als ze helemaal droog is. Hoe schoner het filter is, des te beter werkt de stofzuiger.
- ◆ Het is zeer belangrijk dat u de stofzuiger pas gebruikt wanneer de filters helemaal droog zijn en goed zijn geplaatst.

**De draaiende borstels verwijderen en schoonmaken (Afb. M)**

**Waarschuwing!** Om het risico op letsel door draaiende onderdelen te beperken, moet u altijd eerst de accu verwijderen voor onderhoud of reiniging.

- ◆ Verwijder de draaiende borstel (23) uit de vloerkop (8) druk op de vrijgaveknop (24), zoals afgebeeld in afbeelding M.
- ◆ Trek de draaiende borstel uit de vergrendelde positie.
- ◆ U kunt de draaiende borstel (23) nu verwijderen.
- ◆ Reinig de draaiende borstel en plaats het weer terug. Let goed op dat de borstel weer goed vastzit voordat u de stofzuiger gebruikt.

**Opslag**

Het apparaat kan veilig worden opgeborgen met gebruik van het laadstation (5a), zoals afgebeeld in afbeelding N.

**Onderhoud**

Uw snoerloze BLACK+DECKER-apparaat is ontworpen om gedurende lange tijd te functioneren met een minimum aan onderhoud.

Het continu naar tevredenheid functioneren hangt af van de juiste zorg voor het gereedschap en regelmatig schoonmaken.

**Waarschuwing!** Ga altijd als volgt te werk voor u onderhouds- of reinigingswerkzaamheden aan het snoerloze apparaat uitvoert:

- ◆ Verwijder de accu.
- ◆ Trek de stekker van de lader uit het stopcontact voordat u de lader schoonmaakt. Behalve regelmatige reiniging vraagt de lader geen onderhoud.
- ◆ Reinig regelmatig de ventilatieopeningen van het apparaat/de lader met een zachte borstel of droge doek.
- ◆ Reinig de behuizing van de motor regelmatig met een vochtige doek. Gebruik niet een schurend schoonmaakmiddel of een schoonmaakmiddel op basis van een oplosmiddel.

**De filters vervangen**

De filters moeten om de 6 tot 9 maanden worden vervangen of wanneer ze maar versleten of beschadigd zijn.

Reservefilters zijn verkrijgbaar bij de BLACK + DECKER-lev-erancier.

- ◆ Verwijder de oude filters op de hiervoor beschreven wijze.
- ◆ Plaats de nieuwe filters op de hiervoor beschreven wijze.

**Problemen oplossen**

Probleem	Mogelijke oorzaak	Mogelijke oplossing
Toestel start niet.	De accu is niet opgeladen.	Controleer de laadvereisten voor de accu.
	Verstopping.	Controleer het mondstuk.
		Controleer het verlengstuk.
		Controleer tussen het verlengstuk en de stofcontainer
De klopborstel werkt niet meer.	Obstructie.	De machine is voorzien van een klopborstel overbelasting functie. Verwijder de klopborstel en verwijder al het vuil en alle obstructies
De accu laadt niet op.	De stekker van de lader zit niet in het stopcontact.	Steek de stekker van de lader in een stopcontact waar stroom op staat. Raadpleeg "Belangrijke opmerkingen over laden" voor meer informatie.
	De omgevingstemperatuur is te hoog of te laag	Verplaats de lader en de accu naar een locatie waar de temperatuur tussen 4 °C en +40 °C is.

**Het milieu beschermen**



Gescheiden afvalinzameling. Producten en accu's waarop dit symbool is aangebracht, mogen niet bij het normale huishoudafval worden weggegooid.

Producten en accu's bevatten materialen die kunnen worden teruggewonnen of gerecycled en dat doet de vraag naar grondstoffen afnemen. Recycle elektrische producten en accu's volgens de ter plaatse geldende bepalingen. Nadere informatie is beschikbaar op [www.2helpU.com](http://www.2helpU.com)

**Technische gegevens**

	BHFEV182B*	BHFEV182C	BHFEV182CP
Spanning	18	18	18
Watt Uur		36	36
Gewicht	2,8	3,17	3,23
Batterij		BL2018	BL2018
Lader	S010**2400040 / SSC-250040**	S010**2400040 / SSC-250040**	S010**2400040 / SSC-250040**
Oplaadtijd ca.		5h	5h

\* BHFEV182B is een kale unit en wordt niet geleverd met een accu of een lader.

**Garantie**

Black & Decker heeft vertrouwen in zijn producten en biedt consumenten een garantie van 24 maanden vanaf de aankoopdatum. Deze garantie vormt een aanvulling op uw wettelijke rechten en beperken deze niet. De garantie is geldig op het grondgebied van de Lidstaten van de Europese Unie en de Europese Vrijhandelszone.

Voor een garantie-aanspraak moet uw aanspraak in overeenstemming zijn met de Voorwaarden en Conditie van Black&Decker en moet u een bewijs van aankoop overleggen aan de verkoper of aan een geautoriseerde reparatiemonteur. Voorwaarden en condities van de 2-jarige garantie van Black&Decker en het adres van de vestiging van het geautoriseerde reparatiecentrum bij u in de buurt, kunt u vinden op internet op [www.2helpU.com](http://www.2helpU.com), of door contact op te nemen met het Black & Decker-kantoor ter plaatse, op het adres dat in deze handleiding wordt vermeld.

Bezoek onze website [www.blackanddecker.nl](http://www.blackanddecker.nl), waar u uw nieuwe Black & Decker-product kunt registreren en het laatste nieuws vindt over nieuwe producten en speciale aanbiedingen.

**Uso previsto**

Las aspiradoras sin cable 4 en 1 BLACK+DECKER BHFEV182B, BHFEV182C, BHFEV182CP han sido diseñadas para aplicaciones de aspiración. Estos aparatos han sido concebidos únicamente para uso doméstico.



Lea todo el manual detenidamente antes de utilizar el aparato.

**Instrucciones de seguridad**



**Advertencia. Lea todas las advertencias de seguridad y todas las instrucciones.** En caso de no atenerse a las siguientes advertencias e instrucciones de seguridad, podría producirse una descarga eléctrica, incendio o lesión grave.

- ◆ En este manual se describe el uso previsto del aparato. La utilización de accesorios o acoplamientos y la realización de operaciones distintas a las recomendadas en este manual de instrucciones con este aparato pueden conllevar un riesgo de lesiones.
- ◆ Conserve este manual para futuras consultas.

**Uso del aparato**

- ◆ No utilice el aparato para recoger líquidos o materiales inflamables.
- ◆ No utilice el aparato cerca del agua.
- ◆ No sumerja el aparato en agua.
- ◆ No tire del cable para desconectar el cargador de la toma de corriente. Mantenga el cable del cargador alejado de fuentes de calor, aceites y bordes afilados.

- ◆ Este aparato puede ser usado por niños a partir de 8 años de edad y por personas con capacidades físicas, sensoriales o mentales disminuidas, o que carezcan de experiencia y conocimientos, siempre que estén supervisadas o hayan recibido formación con respecto al uso del aparato de forma segura y comprendan los peligros que entraña su uso. Los niños no deben jugar con el aparato.

Los niños no deberán realizar las tareas de limpieza y mantenimiento de usuario, salvo que lo hagan bajo supervisión.

### **Inspecciones y reparaciones**

Antes de utilizar el aparato, compruebe que no tenga piezas dañadas ni defectuosas. Compruebe que no haya piezas rotas, que los interruptores no estén dañados y que no existan otros defectos que puedan afectar al funcionamiento del aparato.

- ◆ No utilice el aparato si presenta alguna pieza dañada o defectuosa.
- ◆ Solicite a un agente de servicio técnico autorizado la reparación o sustitución de las piezas dañadas o defectuosas.
- ◆ Compruebe con regularidad que el cable del cargador no ha sufrido daños. Sustituya el cargador si el cable está dañado o es defectuoso.
- ◆ Nunca intente extraer ni sustituir ninguna pieza que no esté especificada en este manual.

### **Instrucciones de seguridad adicionales**

#### **Después de la utilización**

- ◆ Desenchufe el cargador antes de limpiarlo o antes de limpiar la base de carga.
- ◆ Cuando no utilice el aparato, debe guardarlo en un lugar seco.
- ◆ Los niños no deben tener acceso a los aparatos guardados.

#### **Riesgos residuales**

El uso de esta herramienta puede producir riesgos residuales adicionales no incluidos en las advertencias de seguridad adjuntas. Estos riesgos se pueden generar por un uso incorrecto, demasiado prolongado, etc.

El cumplimiento de las normas de seguridad correspondientes y el uso de dispositivos de seguridad no evitan ciertos riesgos residuales. Dichos riesgos incluyen:

- ◆ Lesiones producidas por el contacto con piezas móviles o giratorias.
- ◆ Lesiones causadas al cambiar piezas, hojas o accesorios.
- ◆ Lesiones causadas por el uso prolongado de una herramienta. Si utiliza una herramienta durante períodos de tiempo demasiado prolongados, asegúrese de realizar pausas con frecuencia.
- ◆ Deterioro auditivo.

- ◆ Riesgos para la salud causados por la respiración del polvo generado por el uso de la herramienta (por ejemplo, al trabajar con madera, especialmente roble, haya y tablero semiduro de fibras).

## Cargadores

El cargador ha sido diseñado para un voltaje específico. Compruebe siempre que el voltaje de la red eléctrica corresponda al valor indicado en la placa de características.

**¡Advertencia!** No intente sustituir el cargador por un enchufe convencional para la red eléctrica.

- ◆ Solo debe utilizar el cargador BLACK+DECKER suministrado para cargar la batería del aparato. Otras baterías podrían explotar y provocar lesiones y daños materiales.
- ◆ Nunca intente cargar baterías no recargables.
- ◆ Si se daña el cable de alimentación, deberá sustituirlo el fabricante o un centro del servicio técnico autorizado de BLACK+DECKER, para evitar riesgos.
- ◆ No exponga el cargador al agua.
- ◆ No abra el cargador.
- ◆ No aplique ningún dispositivo para medir la resistencia del cargador.
- ◆ Durante la carga, el aparato/batería debe colocarse en una zona bien ventilada.

## Seguridad eléctrica

### Símbolos del cargador



Lea todo el manual detenidamente antes de utilizar el aparato.



Esta herramienta lleva un doble aislamiento; por lo tanto, no requiere una toma de tierra. Compruebe siempre que el voltaje suministrado corresponda al indicado en la placa de características.



La base del cargador está pensada únicamente para utilizarla en espacios interiores.

### Etiquetas del aparato

Junto con el código de la fecha, en el aparato aparecen los siguientes símbolos:



Lea todo el manual detenidamente antes de utilizar el aparato.



BHFEV182B, BHFEV182C, BHFEV182CP  
uso del cargador S010\*\*2400040 /  
SSC-250040\*\*

### Características

Esta herramienta incluye parte o la totalidad de estas características.

1. Botón de encendido/apagado
2. Interruptor de alimentación de 3 velocidades
- 2a. Botón de activación del sacudidor
3. Indicador del estado de la carga
- 3a. Sensor del filtro
4. Batería de 18 V (disponible con las unidades BHFEV182C, BHFEV182CP)
5. Cargador de copa de 18 V y estación de carga (disponible con las unidades BHFEV182C, BHFEV182CP)
6. Recipiente para el polvo con agitador de filtro
7. Puerta del recipiente para el polvo
8. Cabezal para suelos
9. Tubo de extensión
10. Herramienta de accesorios 2 en 1 (se puede encargar a través del departamento de atención al cliente)
11. Boquilla estrecha (disponible con las unidades BHFEV182B, BHFEV182C, BHFEV182CP)
12. Clip de almacenamiento de accesorios
13. Herramienta para pelo de mascotas (disponible con las unidades BHFEV182CP)
14. Cepillo para el polvo de boca ancha (se puede encargar a través del departamento de atención al cliente)
15. Puerto de carga

## Cargar la batería

Los cargadores BLACK+DECKER están diseñados para cargar paquetes de batería BLACK+DECKER.

**Nota:** Para garantizar el máximo rendimiento y la vida útil de los paquetes de baterías de iones de litio:

- ◆ Cargue el paquete de baterías por completo antes de utilizarlo por primera vez.
- ◆ Recargue las baterías agotadas lo antes posible después de cada uso.
- ◆ No agote las baterías por completo.

El cargador suministrado ofrece tres formas posibles de cargar la batería.

1. Carga de copa estándar únicamente
2. Carga de copa instalada en la pared
3. Carga suspendida instalada en la pared

### 1. Carga de copa estándar (Fig. A)

- ◆ Conecte el cargador (5) a la toma adecuada antes de introducir el paquete de baterías (4).
- ◆ Introduzca la batería en el cargador.
- ◆ Cuando utilice el cargador de copa, el LED indicador de carga verde parpadeará, lo cual indica que se está cargando la batería.
- ◆ Se indicará que la carga ha terminado porque la luz LED verde permanecerá encendida de manera continua. La batería estará cargada y podrá usarse, o dejarla en el cargador.
- ◆ El cargador de copa se puede insertar en la estación de carga (5a) tal como se muestra en la figura A.

### 2. Carga de la batería instalada en la pared

- ◆ Marque la posición los orificios de los tornillos de la estación de carga (5a) (cerca de una toma corriente eléctrica para poder cargar la aspiradora mientras está en la estación de carga).
- ◆ Fije la estación de carga (5a) a la pared con los tornillos y enchufes adecuados para el tipo de pared y para el peso del aparato.
- ◆ Instale el cargador de copa (5) en la estación de carga (5a). Asegúrese de que encaje en su lugar antes de proceder.

**Nota:** Para retirar el cargador de copa de la base de carga, saque las lengüetas de retención y saque el cargador de copa.

- ◆ Conecte el cargador a la toma adecuada antes de introducir la batería.
- ◆ Deslice la batería en la estación de carga.

## 3. Almacenamiento de la aspiradora instalada en la pared y carga de la batería

El producto puede fijarse a una pared para proporcionar al aparato un punto de almacenaje y de carga adecuado.

Cuando realice una instalación en la pared, asegúrese de que el método de fijación sea el adecuado para el tipo de pared y el peso del aparato.

- ◆ Marque la posición los orificios de los tornillos de la estación de carga (cerca de una toma corriente eléctrica para poder cargar la aspiradora mientras está en la estación de carga).
- ◆ Fije la estación de carga a la pared con los tornillos y enchufes adecuados para el tipo de pared y para el peso del aparato.
- ◆ Instale el cargador de copa en la estación de carga. Asegúrese de que encaje en su lugar antes de proceder.

**Nota:** Para retirar el cargador de copa de la base de carga, saque las lengüetas de retención y saque el cargador.

- ◆ Conecte el cargador a una toma adecuada.
- ◆ Con la batería instalada en la aspiradora, deslice el puerto de carga (15), situado en la base de la aspiradora sobre los railes de la estación de carga (5a).
- ◆ El LED blanco (3) de la aspiradora parpadeará indicando que se está cargando la batería.
- ◆ Las secciones del LED aumentan a medida que se carga la batería y, una vez cargada por completo, se apagan. La batería estará cargada y podrá usarse, o dejarla en el cargador.

### Dejar la batería en el cargador

El cargador y el conjunto de la batería pueden permanecer conectados durante un periodo de tiempo indefinido con el indicador LED verde iluminado. El cargador mantendrá el conjunto de la batería a baja temperatura y completamente cargado.

### Colocación de la batería (Fig. B)

- ◆ Inserte la batería (4) en la herramienta, hasta que oiga un clic, como se muestra en la figura B.
- ◆ Asegúrese de que la batería quede bien colocada y enganchada en su posición.

### Extracción del conjunto de la batería

- ◆ Presione el botón de extracción de la batería (4) y sáquela de la herramienta.

### Montaje (Fig. C)

- ◆ Alinee la parte superior del tubo de extensión (9) con la entrada de la aspiradora (16) como se muestra en la figura C.
- ◆ Empuje el tubo de extensión (9) en la entrada de la aspiradora (16) hasta que encaje en su posición.
- ◆ Alinee la parte inferior del tubo de extensión (9) con la cabeza para suelos (8) como se muestra en la figura B.

- ◆ Empuje la parte inferior del tubo de extensión (9) en la cabeza para suelos (8) hasta que encaje en su posición.
- ◆ Para quitar un accesorio, presione el pestillo de liberación de accesorios situado en el accesorio y tire de él.

## USO

Esta aspiradora puede utilizarse en uno de los cuatro modos.

- ◆ Con el tubo de extensión (9) y la cabeza para suelos (8), como se muestra en la figura C.
- ◆ Con el cepillo para suelos (8) y la entrada de la aspiradora (16), como se muestra en la figura D.
- ◆ Con el tubo de extensión (9) y la herramienta para accesorios (10), (11), (13) o (14), como se muestra en la figura E.
- ◆ Con la herramienta para accesorios (10), (11), (13) o (14) y la entrada de la aspiradora (16), como se muestra en la figura E.
- ◆ Los accesorios no suministrados con la unidad se pueden encargar a través del departamento de atención al cliente.

## Encendido y apagado (Fig. F)

- ◆ Para encender el aparato, pulse el interruptor de encendido/apagado (1).
- ◆ Para aumentar la potencia, deslice el interruptor de potencia variable (2) hacia adelante.

**Nota:** El cepillo para suelos (8) se encenderá al conectarlo a la aspiradora o al tubo de extensión (se puede apagar pulsando el botón 2a de la pantalla). Las luces LED de la parte delantera del cabezal para el suelo se iluminarán siempre que se active el botón de activación del sacudidor (2a) (pueden apagarse pulsando el botón de nuevo).

**Nota:** Los LED indicadores del estado de carga (3) se iluminan cuando la aspiradora está encendida o durante el proceso de carga.

- ◆ Para apagar el aparato, pulse el interruptor de encendido/apagado (1).
- ◆ Vuelva a conectar el producto al cargador inmediatamente después del uso, para que esté listo y completamente cargado para el siguiente uso. Asegúrese de que el producto esté completamente conectado con el enchufe del cargador.

## Uso de la herramienta de accesorios (Fig. G)

Su aspiradora puede suministrarse con alguna de las siguientes herramientas.

- ◆ Herramienta de accesorios 2 en 1 (10)
- ◆ Boquilla estrecha (11).
- ◆ Herramienta para pelo de mascotas (13).
- ◆ Cepillo para el polvo de boca ancha (14).
- ◆ La herramienta para accesorios (10), (11), (13) o (14) puede conectarse directamente al tubo de extensión (6) o a la entrada de la aspiradora (5) tal como se muestra en la figura J.

- ◆ Alinee la parte superior de la herramienta para accesorios (10), (11), (13) o (14) con la entrada de la aspiradora (16) o la conexión del tubo de extensión (9a) y empújela en su lugar, tal como se muestra en la figura G.

	BHF-EV 182B	BHF-EV 182C	BHF-EV 182CP
10 2 in 1 Accessory			
11 Crevice tool	√	√	√
12 Accessory storage clip	√	√	√
13 Pet hair tool			√
14 Wide mouth dust brush			

- ◆ Todo está disponible en el departamento de atención al cliente

## Limpieza y vaciado de la aspiradora

### Sensor del filtro

Cuando el filtro esté bloqueado y sea necesario limpiarlo, se enciende el LED rojo del filtro (3) del bastidor.

### Agitador del filtro (Fig. H)

Con el recipiente para el polvo (6) quitado del bastidor (17), gire la rueda del agitador del filtro 5 - 10 veces para eliminar el exceso de polvo del filtro, mejorando así su rendimiento.

**Nota:** Se recomienda agitarlo con la unidad vaciada y el filtro retirado.

**Nota:** Conseguirá el rendimiento máximo del aparato solo si los filtros están limpios y el depósito de polvo está vacío. Si después de apagar el aparato sale polvo, significa que el depósito está lleno y se debe vaciar.

### Para vaciar el recipiente para el polvo (Fig. I, J)

- ◆ Levante y retire el recipiente para el polvo (6) del bastidor (17) tal como se muestra en la figura I.
- ◆ Coloque el recipiente para el polvo sobre un cubo de basura y presione el botón de liberación de la tapadera (6a) para vaciarlo, tal como se muestra en la figura J.
- ◆ Cierre la tapadera del recipiente para el polvo (7) hasta que encaje firmemente en su posición.
- ◆ Vuelva a instalar el recipiente para el polvo (6) en bastidor (17).

### Retirada del prefiltro (Fig. K)

- ◆ Levante y retire el recipiente para el polvo (6) del bastidor (17) tal como se muestra en la figura I.
- ◆ Coloque el recipiente para el polvo sobre un cubo de basura y presione el botón de liberación de la tapadera (6a) para vaciarlo, tal como se muestra en la figura J.
- ◆ Con el dedo índice y el pulgar apriete las lengüetas del alojamiento del prefiltro (18) y extraiga el alojamiento del filtro (18) del recipiente para el polvo (6) como se muestra en la Fig. K.

**Nota:** El alojamiento del filtro encaja firmemente en el recipiente para el polvo y, al principio, puede resultar difícil retirarlo.

- ◆ Vacíe el recipiente para el polvo.
- ◆ Coloque prefiltro (18) en el contenedor de polvo (6) asegurándose de que las lengüetas (20) queden alineadas con las ranuras del prefiltro (19) tal como se muestra en la figura N1.
- ◆ Instale el recipiente para el polvo en la aspiradora hasta que encaje firmemente en su posición.

### Retirada del filtro (Fig. L)

- ◆ Levante y retire el recipiente para el polvo (6) del bastidor (17) tal como se muestra en la figura I.
- ◆ Coloque el recipiente para el polvo sobre un cubo de basura y presione el botón de liberación de la tapadera (6a) para vaciarlo, tal como se muestra en la figura J.
- ◆ Agarre el alojamiento de la rueda del agitador (21) y tire de él para retirarlo.
- ◆ Saque el filtro (22) del alojamiento de la rueda del agitador (21) tal como se muestra en la figura L.
- ◆ Agite o cepille ligeramente el polvo suelto que pueda quedar en el filtro.
- ◆ Instale el filtro (22) en el alojamiento de la rueda del agitador (21).
- ◆ Instale el alojamiento de la rueda del agitador (21) en el recipiente para el polvo hasta que encaje firmemente en su posición.

### Limpieza de los filtros

- ◆ Una vez que haya retirado el filtro y el prefiltro del recipiente para el polvo, agite o cepille ligeramente el polvo suelto que haya podido quedar en ellos.
- ◆ Enjuague el recipiente para el polvo (6) con agua tibia y jabón.
- ◆ Lave los filtros con agua tibia y jabón.
- ◆ Asegúrese de que los filtros se sequen por completo (24 h) antes de volver a instalarlos.
- ◆ Siga las instrucciones de los apartados de "Retirada del prefiltro y Retirada del filtro" para conocer las instrucciones de instalación.

**Nota:** Conseguirá el rendimiento máximo del aparato solo si los filtros están limpios y el depósito de polvo está vacío. Si después de apagar el aparato sale polvo, significa que el recipiente está lleno y se debe vaciar o que existe alguna obstrucción.

- ◆ Lave los filtros con regularidad utilizando agua caliente con jabón y compruebe que estén completamente secos antes de volver a utilizarlos. Cuanto más limpio esté el filtro, mejor funcionará el producto.
- ◆ Es muy importante que los filtros estén correctamente colocados antes del uso.

### Extraer y limpiar los cepillos giratorios (Fig. M)

**¡Advertencia!** Para reducir el riesgo de lesiones por piezas móviles, desconecte la batería antes de limpiar o reparar la herramienta.

- ◆ Para extraer el cepillo giratorio (23) del cabezal para suelo (8), pulse el botón de extracción (24) como se muestra en la figura M.
- ◆ Saque el cepillo giratorio de su posición bloqueada.
- ◆ Ahora puede sacar el cepillo giratorio (23).
- ◆ Limpie el cepillo giratorio y vuelva a instalarlo. Asegúrese de que esté en su posición bloqueada antes de manejar la herramienta.

### Almacenamiento

La unidad se puede almacenar de forma segura en la estación de carga (5a) tal como se muestra en la figura N.

### Mantenimiento

Este aparato sin cable de BLACK+DECKER ha sido diseñado para funcionar durante un largo período de tiempo con un mantenimiento mínimo. El funcionamiento satisfactorio y continuo depende del buen cuidado de la herramienta y de una limpieza frecuente.

**¡Advertencia.** Antes de realizar el mantenimiento de aparatos sin cables:

- ◆ Extraiga la batería.
- ◆ Desenchufe el cargador antes de limpiarlo. El cargador no requiere ningún mantenimiento especial excepto la limpieza periódica.
- ◆ Limpie periódicamente las ranuras de ventilación del aparato y del cargador con un cepillo suave o un paño seco.
- ◆ Limpie periódicamente la carcasa del motor con un paño húmedo. No utilice limpiadores abrasivos o a base de disolventes.

### Sustitución de los filtros

Es necesario cambiar los filtros cada 6 o 9 meses y cuando se gasten o se dañen.

Encontrará filtros de repuesto en el distribuidor BLACK+DECKER.

- ◆ Extraiga los filtros viejos como se ha descrito anteriormente.
- ◆ Coloque los filtros nuevos como se ha descrito anteriormente.

**Solución de problemas**

Problema	Causa posible	Posible solución
La unidad no arranca.	El paquete de baterías no está cargado.	Compruebe los requisitos de carga de la batería.
	Obstrucción.	Compruebe el tubo del cabezal para el suelo.
		Compruebe el tubo de extensión.
		Compruebe el espacio entre el tubo de extensión y el bol.
El sacudidor deja de funcionar.	Obstrucción.	La unidad está equipada con una función de protección de sobrecarga del agitador. Retire y limpie el sacudidor para eliminar los residuos y obstrucciones.
La batería no se carga.	El cargador no está enchufado.	Enchufe el cargador en una toma de corriente que funcione. Puede obtener más información en Notas importantes para la carga.
	La temperatura ambiente es demasiado caliente o demasiado fría.	Desplace el cargador y la batería hacia un lugar con temperatura ambiente superior a 4 °C o por debajo de +40 °C.

**Protección del medio ambiente**



Recogida selectiva. Los productos y las baterías marcadas con este símbolo no se deben eliminar con los residuos domésticos normales.

Los productos y las baterías que contienen materiales que se puedan recuperar o reciclar reducen la demanda de materias primas. Recicle los productos eléctricos y las baterías de conformidad con la normativa local. Puede obtener más información en [www.2helpU.com](http://www.2helpU.com)

**Datos técnicos**

	BHFEV182B*	BHFEV182C	BHFEV182CP
Tensión	18	18	18
Vatios-hora		36	36
Peso	2.8	3.17	3.23
Batería		BL2018	BL2018
Cargador	S010**2400040 / SSC-250040**	S010**2400040 / SSC-250040**	S010**2400040 / SSC-250040**
Tiempo de carga aproximado		5h	5h

\* BHFEV182B es una unidad simple y no se suministra con batería ni cargador.

**Garantía**

Black & Decker confía en la calidad de sus productos y ofrece a los consumidores una garantía de 24 meses a partir de la fecha de compra. Esta garantía es adicional a sus derechos legales y no los menoscaba en modo alguno. La garantía es válida dentro de los territorios de los Estados Miembros de la Unión Europea y del Área de Libre Comercio Europea. Para reclamar la garantía, la reclamación se debe presentar de conformidad con las condiciones de Black & Decker. Tendrá que adjuntar un justificante de compra al vendedor o al agente técnico autorizado. Las condiciones de la garantía de 2 años de Black & Decker y la ubicación de su agente técnico autorizado más cercano se pueden obtener en Internet en [www.2helpU.com](http://www.2helpU.com) o poniéndose en contacto con su oficina local de Black & Decker en la dirección que se indica en este manual. Visite nuestro sitio web [www.blackanddecker.co.uk](http://www.blackanddecker.co.uk) para registrar su nuevo producto Black & Decker y recibir noticias sobre nuevos productos y ofertas especiales.

(Tradução das instruções originais)

**PORTUGUÊS**

**Utilização prevista**

Os aspiradores sem fio 4 em 1 BLACK+DECKER BHFEV182B, BHFEV182C, BHFEV182CP foram concebidos para limpeza a vácuo. Estes equipamentos destinam-se apenas a utilização doméstica.



Leia com atenção todo o manual antes de utilizar o equipamento.

**Instruções de segurança**



**Atenção! Leia todos os avisos de segurança e todas as instruções.** O não cumprimento dos seguintes avisos e instruções pode resultar em choque elétrico, incêndio e/ou ferimentos graves.

- ◆ A utilização prevista está descrita neste manual.

A utilização de qualquer acessório ou a execução de qualquer operação com este equipamento que não esteja incluída no presente manual de instruções poderá representar um risco de ferimentos pessoais.

- ◆ Conserve este manual para referência futura.

## Utilizar o equipamento

- ◆ Não utilize este equipamento para aspirar líquidos ou quaisquer materiais combustíveis.
- ◆ Não utilize este equipamento perto de água.
- ◆ Não mergulhe o equipamento dentro de água.
- ◆ Nunca puxe pelo cabo do carregador para desligar o carregador da tomada. Mantenha o cabo do carregador afastado do calor, combustíveis e extremidades afiadas.
- ◆ Este equipamento pode ser utilizado por crianças com 8 anos de idade e mais e por pessoas que apresentem capacidades físicas, sensoriais ou mentais reduzidas ou que não possuam os conhecimentos e a experiência necessários, se forem vigiadas e instruídas acerca da utilização do equipamento de uma forma segura e compreenderem os perigos envolvidos. As crianças não devem mexer no equipamento. A limpeza e manutenção não devem ser efectuadas por crianças sem supervisão.

## Inspeção e reparações

Antes da utilização, verifique a existência de peças danificadas ou avariadas no equipamento. Verifique se há peças partidas, danos nos interruptores ou outro tipo de situações que possam afectar o funcionamento.

- ◆ Não utilize este equipamento se alguma das peças estiver danificada ou avariada.
- ◆ Mandar reparar ou substituir quaisquer peças danificadas ou avariadas por um técnico de reparação autorizado.
- ◆ Verifique regularmente se existem danos no cabo do carregador. Substitua o carregador se o cabo estiver danificado ou com defeitos.
- ◆ Nunca tente retirar ou substituir quaisquer peças que não sejam as especificadas neste manual.

## Instruções de segurança adicionais

### Após a utilização

- ◆ Desligue o carregador ou a base de carga antes de os limpar.
- ◆ Quando não estiver a ser utilizado, o equipamento deve ser guardado num local seco.
- ◆ As crianças não devem ter acesso a equipamentos armazenados.

### Riscos residuais

Podem surgir riscos residuais adicionais durante a utilização da ferramenta, que podem não constar nos avisos de segurança incluídos.

Estes riscos podem resultar de má utilização, uso prolongado, etc.

Mesmo com o cumprimento dos regulamentos de segurança relevantes e a implementação de dispositivos de segurança, alguns riscos residuais não podem ser evitados. Estes incluem:

- ◆ Ferimentos causados pelo contacto com peças em rotação/movimento.
- ◆ Ferimentos causados durante a substituição de peças, lâminas ou acessórios.
- ◆ Ferimentos causados pela utilização prolongada de uma ferramenta. Se utilizar uma ferramenta durante períodos prolongados, certifique-se de que faz pausas regularmente.
- ◆ Danos auditivos.
- ◆ Problemas de saúde causados pela inalação de poeiras resultantes da utilização da ferramenta (exemplo: trabalhos em madeira, especialmente carvalho, faia e MDF).

## Carregadores

O carregador foi concebido para uma tensão específica. Verifique sempre se a tensão de alimentação corresponde à tensão indicada na placa sinalética.

**Atenção!** Nunca tente substituir a unidade do carregador por uma tomada de alimentação normal.

- ◆ Utilize o carregador BLACK+DECKER apenas para carregar a bateria do equipamento com que foi fornecido. Outras baterias podem rebentar, provocando ferimentos e danos.

- ◆ Nunca tente carregar baterias não recarregáveis.
- ◆ Se o cabo de alimentação estiver danificado, deve ser substituído pelo fabricante ou por um centro de assistência autorizado da BLACK+DECKER, para evitar situações de perigo.
- ◆ Não exponha o carregador à água.
- ◆ Não abra o carregador.
  
- ◆ Não perfure o carregador.
- ◆ O equipamento/bateria deve ser colocado numa área com boa ventilação durante o carregamento.

## Segurança eléctrica

### Símbolos no carregador



Leia atentamente o manual completo antes de utilizar este equipamento.



Esta ferramenta tem isolamento duplo. Por esse motivo, não necessita de ligação à terra. Verifique sempre se a tensão da tomada de electricidade corresponde à tensão indicada na placa com os requisitos de alimentação da ferramenta.



A base de carga destina-se exclusivamente a uma utilização no interior.

### Etiquetas no equipamento

O equipamento apresenta os seguintes símbolos juntamente com o código de data



Leia com atenção e na íntegra o manual antes de utilizar este equipamento



As unidades BHFEV182B, BHFEV182C, BHFEV182CP utilizam o carregador S010\*\*2400040/ SSC-250040\*\*

### Componentes

Esta ferramenta inclui algumas ou todas as funcionalidades seguintes.

1. Botão para ligar/desligar
2. Interruptor de alimentação de 3 velocidades

- 2a. Botão de activação da escova rotativa
3. Indicador do estado de carga
- 3a. Sensor de filtro
4. Bateria de 18V (disponível nas unidades BHFEV182C, BHFEV182CP)
5. Carregador circular e base de carga de 18 V (disponíveis nas unidades BHFEV182C, BHFEV182CP)
6. Retire o depósito de poeiras com agitador de filtro
7. Porta do depósito de poeiras
8. Escova de aspiração
9. Suporte de extensão
10. Ferramenta de acessórios 2 em 1 (disponível para encomenda através do departamento de assistência)
11. Boquilha de extracção (disponível com as unidades BHFEV182B, BHFEV182C, BHFEV182CP)
12. Encaixe para acessórios
13. Ferramenta para pêlos de animais de estimação (disponível nas unidades BHFEV182CP)
14. Escova do pó de abertura grande (disponível para encomenda através do departamento de assistência)
15. Entrada de carga

## Carregar a bateria

Os carregadores da BLACK+DECKER são concebidos para carregar as baterias da BLACK+DECKER.

**Nota:** Para garantir o máximo desempenho e duração das baterias

de íões de lítio:

- ◆ Carregue a bateria antes da primeira utilização.
- ◆ Recarregue as baterias descarregadas assim que possível após cada utilização.
- ◆ Não descarregue as baterias por completo.

O carregador fornecido disponibiliza três maneiras diferentes de carregar a bateria.

1. Apenas com o carregador circular padrão
2. Carregador circular montado na parede
3. Carregador suspenso, montado na parede

### 1. Carregador circular padrão (Fig. A)

- ◆ Ligue o carregador (5) numa tomada adequada antes de inserir a bateria (4).
- ◆ Insira a bateria no carregador circular.
- ◆ Quando utiliza o carregador circular, um LED verde pisca, a indicar que a bateria está a ser carregada.
- ◆ A conclusão do processo de carga é indicado pelo LED verde que permanece continuamente. A bateria fica totalmente carregada e pode ser utilizada nesta altura ou pode deixá-la no carregador.
- ◆ O carregador circular pode ser inserido na base de carga (5a), como indicado na Figura A.

### 2. Carregador de bateria, montado na parede

- ◆ Marque o local dos furos para parafusos da base de carga (5a) na parede (perto de uma tomada eléctrica) para carregar o aspirador quando estiver na base de carga.
- ◆ Fixe a base de carga (5a) na parede com os parafusos e buchas adequados ao tipo de parede e ao peso do equipamento.
- ◆ Coloque o carregador circular (5) na base de carga (5a). Certifique-se de que fica encaixado no respectivo local antes de continuar.

**Nota:** Para remover o carregador circular da base de carga base, retire as ranhuras de retenção e levante o carregador para fora.

- ◆ Ligue o carregador numa tomada adequada antes de inserir a bateria.
- ◆ Insira a bateria na base de carga.

### 3. Armazenamento do aspirador montado na parede e carregamento da bateria

O produto pode ser fixado na parede para proporcionar uma arrumação e um ponto de carga do equipamento. Quando montar numa parede, certifique-se de que o método de montagem é adequado ao tipo de parede e ao peso do equipamento.

- ◆ Assinale o local dos furos dos parafusos da base de carga (junto a uma tomada para carregar o aspirador quando este se encontra na base de carga).
- ◆ Fixe a estação de carga na parede utilizando parafusos e buchas adequados ao tipo de parede e ao peso do equipamento.
- ◆ Coloque o carregador circular na base de carga. Certifique-se de que fica encaixado no respectivo local antes de continuar.

**Nota:** Para retirar o carregador circular da base de carga, retire as ranhuras de retenção e levante o carregador circular.

- ◆ Ligue o carregador numa tomada adequada.
- ◆ Com a bateria inserida no aspirador, deslize a entrada de carga (15), localizada na base do aspirador, nas calhas da base de carga (5a).
- ◆ O LED branco (3) no aspirador começa a piscar, indicando que a bateria está a ser carregada.
- ◆ As barras do LED aumentam à medida que a bateria é carregada. Quando está totalmente carregada, os LED apagam-se. A bateria fica totalmente carregada e pode ser utilizada nesta altura ou pode deixá-la no carregador.

### Deixar a bateria no carregador

O carregador e a bateria podem permanecer ligados com o LED verde aceso indefinidamente. O carregador irá manter a bateria completamente carregada.

### Instalar a bateria (Fig. B)

- ◆ Insira a bateria (4) na ferramenta até ouvir um som de encaixe, como indicado na Figura B.

- ◆ Certifique-se de que a bateria está totalmente encaixada na posição adequada.

### Retirar a bateria

- ◆ Prima o botão de libertação da bateria e retire a bateria (4) da ferramenta.

### Montagem (Fig. C)

- ◆ Alinhe a parte de cima do tubo extensível (9) com a entrada de vácuo (16), como indicado na Figura C.
- ◆ Insira o tubo extensível (9) para dentro da entrada de vácuo (16) para que fique encaixado.
- ◆ Alinhe a parte inferior do tubo extensível (9) com a escova do aspirador (8), como indicado na Figura C.
- ◆ Insira a parte inferior do tubo extensível (9) para dentro da escova do aspirador (8) para que fique encaixada.
- ◆ Para retirar um acessório, pressione a patilha de libertação de acessórios localizada no acessório e puxe-a para fora.

### UTILIZAÇÃO

Este aspirador pode ser utilizado de quatro maneiras.

- ◆ Com o tubo extensível (9) e a escova do aspirador (8), como indicado na Figura C.
- ◆ Com a escova do aspirador (8) e a entrada de vácuo (16), como indicado na Figura D.
- ◆ Com o tubo extensível (9) e a ferramenta de acessórios (10), (11), (13) ou (14), como indicado na Figura E.
- ◆ Com uma ferramenta de acessórios (10), (11), (13) ou (14) e a entrada de vácuo (16), como indicado na Figura E.
- ◆ Os acessórios não fornecidos com a unidade podem ser encomendados através do departamento de assistência.

### Ligar e desligar (Fig. F)

- ◆ Para ligar, prima o botão para ligar/desligar (1).
- ◆ Para uma maior potência, deslize o interruptor de alimentação variável (2) para a frente.

**Nota:** A escova do aspirador (8) é ligada quando é fixada no aspirador ou no tubo extensível (pode ser desligada pressionando o botão 2a no visor). As luzes de trabalho LED na parte da frente da escova do aspirador acendem-se quando o botão de activação da escova rotativa (2a) é ligado (podem ser desligadas pressionando o botão novamente).

**Nota:** Os LED indicadores do estado de carga (3) acendem-se quando o aspirador é ligado ou durante o processo de carga.

- ◆ Para desligar, prima o botão para ligar/desligar (1).
- ◆ Volte a inserir o produto no carregador logo após a utilização para que esteja pronto e totalmente carregado para a utilização seguinte. Certifique-se de que o produto está totalmente encaixado na ficha do carregador.

### Utilizar uma ferramenta de acessórios (Fig. G)

O aspirador pode ser fornecido com algumas das seguintes ferramentas.

- ◆ Ferramenta de acessórios 2 em 1 (10)
- ◆ Boquilha de extracção (11).
- ◆ Ferramenta para pêlos de animais de estimação (13).
- ◆ Escova do pó de abertura grande (14).
- ◆ A ferramenta de acessórios (10), (11), (13) ou (14) pode ser inserida directamente no tubo extensível (6) ou na entrada de vácuo (5), como indicado na Fig. J.
- ◆ Alinhe a parte superior da ferramenta de acessórios (10), (11), (13) ou (14) com a entrada do aspirador (16) ou a ligação do tubo extensível (9a) e encaixe-a na respectiva posição, como indicado na Figura G.

	BHFEV182B	BHFEV182C	BHFEV182CP
10 2 in 1 Accessory			
11 Crevice tool	✓	✓	✓
12 Accessory storage clip	✓	✓	✓
13 Pet hair tool			✓
14 Wide mouth dust brush			

- ◆ Todas estas peças estão disponíveis através do departamento de assistência

### Limpar e esvaziar o lixo do aspirador

#### Sensor de filtro

Quando um filtro fica bloqueado e é necessário limpá-lo, o LED vermelho do filtro (3) no chassis acende-se.

#### Aagitador do filtro (Fig. H)

Com o depósito de poeiras (6) retirado do chassis (17), rode a roda do agitador do filtro 5 a 10 vezes para retirar o excesso de poeira do filtro, o que permite aumentar o desempenho.

**Nota:** É recomendável agitar quando a unidade for esvaziada e o pré-filtro removido.

**Nota:** Só é possível obter uma recolha máxima das poeiras com os filtros limpos e o caixa para poeiras vazia. Se começar a sair poeira da ferramenta após esta ser desligada, isso significa que a caixa para poeiras está cheia e deve ser esvaziada.

#### Esvaziar o depósito de poeiras (Fig. I, J)

- ◆ Levante e retire a patilha do depósito de poeiras (6) do chassis (17), como indicado na Figura I.
- ◆ Coloque o depósito de poeiras sobre um caixote do lixo e pressione o botão de libertação do depósito de poeiras (6a) para esvaziar o depósito, como indicado na Figura J.
- ◆ Feche a tampa do depósito de poeiras (7) até encaixar com firmeza no respectivo local.
- ◆ Insira o depósito de poeiras amovível (6) de novo no chassis (17).

### Remover o pré-filtro (Fig. K)

- ◆ Levante e retire a patilha do depósito de poeiras (6) do chassis (17), como indicado na Figura I.
- ◆ Coloque o depósito de poeiras sobre um caixote do lixo e pressione o botão de libertação do depósito de poeiras (6a) para esvaziar o depósito, como indicado na Figura J.
- ◆ Com o indicador e o polegar aperte o pré-filtro (18) e retire o pré-filtro (18) do pré-filtro (6), como indicado na Figura K.

**Nota:** O compartimento do filtro encaixa-se perfeitamente no depósito de poeiras e pode ter dificuldade de início para removê-lo.

- ◆ Esvazie o depósito de poeiras.
- ◆ Insira o pré-filtro (18) no depósito de poeiras (6) certificando-se de que a patilha do depósito de poeiras (20) fica alinhada com a ranhura do pré-filtro (19), como indicado na Figura K.
- ◆ Insira a caixa para poeiras no aspirador, até encaixar com firmeza no respectivo local.

### Remover o filtro (Fig. L)

- ◆ Levante e retire a patilha do depósito de poeiras (6) do chassis (17), como indicado na Figura I.
- ◆ Coloque o depósito de poeiras sobre um caixote do lixo e pressione o botão de libertação do depósito de poeiras (6a) para esvaziar o depósito, como indicado na Figura J.
- ◆ Agarre no compartimento da roda do agitador (21) e puxe-o para removê-lo.
- ◆ Retire o filtro de espuma (22) do compartimento do filtro (21), como indicado na Figura L.
- ◆ Agite ou escove ligeiramente a poeira solta do filtro.
- ◆ Insira o filtro (22) no compartimento da roda do agitador (21).
- ◆ Insira o compartimento da roda do agitador (21) no depósito de poeiras até encaixar na posição adequada.

### Limpar os filtros

- ◆ Depois de retirar o filtro e o pré-filtro do depósito de poeiras, agite ou escove ligeiramente o pó do pré-filtro e o filtro.
- ◆ Enxague o depósito de poeiras (6) com água morna com sabão.
- ◆ Lave os filtros em água morna com sabão.
- ◆ Certifique-se de que os filtros estão totalmente secos (24 horas) antes de voltar a colocá-los.
- ◆ Siga as instruções indicadas nas secções "Remover o pré-filtro e o filtro" para saber como proceder à montagem.

**Nota:** Só é possível obter uma recolha máxima das poeiras com os filtros limpos e o caixa para poeiras vazia. Se começar a sair poeira da ferramenta após esta ser desligada, isso significa que o depósito de poeiras está cheio e deve ser esvaziado ou indica que existe um bloqueio.

- ◆ Lave os filtros com regularidade, utilizando água morna com sabão e certifique-se de que estão totalmente secos antes de voltar a utilizá-los. Quanto mais limpo estiver o filtro, melhor será o desempenho do produto.
- ◆ É muito importante que os filtros estejam totalmente secos e na posição correcta antes de voltar a utilizá-los.

### Retirar e limpar as escovas rotativas (Fig. M)

**Atenção!** Para reduzir o risco de ferimentos causados pelas peças móveis, retire a bateria antes da limpeza ou manutenção.

- ◆ Para remover a escova rotativa (23) da escova de aspiração (8), pressione o botão de libertação (24), como indicado na Figura M.
- ◆ Levante a escova rotativa da posição bloqueada.
- ◆ A escova rotativa (23) pode ser retirada.
- ◆ Limpe a escova rotativa e insira-a novamente. Certifique-se de que está fixa na posição bloqueada antes de utilizar o aspirador.

### Armazenamento

A unidade pode ficar armazenada em segurança na base de carga (5a), como indicado na Figura N.

### Manutenção

O equipamento sem fio BLACK+DECKER foi concebido para funcionar durante um longo período de tempo com uma manutenção mínima. Uma utilização continuamente satisfatória depende de uma manutenção apropriada da ferramenta e de uma limpeza regular.

**Atenção!** Antes de executar qualquer manutenção em equipamentos sem fio:

- ◆ Retire a bateria.
- ◆ Desligue o carregador antes de o limpar. O seu carregador não necessita de manutenção para além da limpeza regular.
- ◆ Limpe regularmente as aberturas de ventilação no equipamento/carregador com uma escova suave ou um pano seco.
- ◆ Limpe regularmente o compartimento do motor com um pano húmido. Não utilize produtos de limpeza abrasivos ou à base de dissolventes.

### Substituição dos filtros

Os filtros deverão ser substituídos a cada 6 a 9 meses e sempre que estiverem gastos ou danificados.

Os filtros para substituição estão disponíveis junto do seu revendedor BLACK+DECKER.

- ◆ Retire os filtros usados, como indicado acima.
- ◆ Coloque os filtros novos, como indicado acima.

**Resolução de problemas**

Problema	Causa possível	Possível solução
A unidade não é iniciada.	A bateria não pode ser carregada.	Verifique os requisitos para carregar a bateria.
	Bloqueio.	Verifique o tubo da escova do aspirador.
		Verifique o tubo extensível.
		Verifique o espaço entre o tubo extensível e o depósito
A escova rotativa deixa de funcionar.	Obstrução.	A unidade está equipada com um dispositivo de protecção contra sobrecarga da escova rotativa. Remova e limpe os resíduos e obstruções da escova rotativa
A bateria não irá ser carregada.	Carregador não ligado.	Ligue o carregador a uma tomada. Consulte "Notas importantes sobre carga" para obter mais informações.
	A temperatura de ar circundante é demasiado quente ou fria	Coloque o carregador e a ferramenta num local a 4 °C ou inferior a 40 °C.

**Protecção do ambiente**



Faça uma recolha de lixo seletiva. Os produtos e as baterias assinalados com este símbolo não devem ser eliminados juntamente com o lixo doméstico normal.

Os produtos e as baterias contêm materiais que podem ser recuperados ou reciclados, reduzindo assim a necessidade de matérias-primas. Recicle os produtos eléctricos e as baterias de acordo com as disposições locais. Estão disponíveis mais informações em [www.2helpU.com](http://www.2helpU.com)

**Dados técnicos**

	BHFEV182B*	BHFEV182C	BHFEV182CP
Tensão	18	18	18
Watt-horas		36	36
Peso	2,8	3,17	3,23
Bateria		BL2018	BL2018
Carregador	S010**2400040/ SSC-250040**	S010**2400040/ SSC-250040**	S010**2400040/ SSC-250040**
Tempo de carga aprox.		5h	5h

\* BHFEV182B é uma unidade base e não é fornecida com uma bateria ou um carregador.

**Garantia**

A Black & Decker confia na qualidade dos seus produtos e oferece aos clientes uma garantia de 24 meses a partir da data de compra. Esta garantia é um complemento dos seus direitos estabelecidos por lei, não os prejudicando de forma alguma. A garantia é válida nos Estados-membros da União Europeia e nos países-membros da Zona Europeia de Comércio Livre.

Para acionar a garantia, esta deve estar em conformidade com os termos e condições da Black&Decker e terá de apresentar o comprovativo de compra ao vendedor ou a um técnico de reparação autorizado.

Os termos e condições da garantia de 2 anos da Black&Decker e a localização do agente de reparação autorizado mais próximo podem ser obtidos na Internet em [www.2helpU.com](http://www.2helpU.com) ou contactando uma filial da Black & Decker, cuja morada está indicada neste manual.

Visite o nosso Website [www.blackanddecker.co.uk](http://www.blackanddecker.co.uk) para registar o novo produto Black & Decker e manter-se atualizado relativamente a novos produtos e ofertas especiais.

(Översättning av originalanvisningarna)

**Avsedd användning**

Din BLACK+DECKER BHFEV182B, BHFEV182C, BHFEV182CP 4-i-1 sladdlös dammsugare har designats för dammsugning. Dessa apparater är endast avsedd för hemmabruk.



Läs hela den här bruksanvisningen noggrant innan du börjar använda apparaten.

**Säkerhetsinstruktioner**



**Varning! Läs alla säkerhetsvarningar och alla instruktioner.** Fel som uppstår till följd av att varningarna och instruktionerna som listas nedan inte följts kan orsaka elstötar, brand och/eller allvarliga kroppsskador.

- ◆ Avsedd användning beskrivs i denna manual.

Använd inte apparaten med andra tillbehör eller tillsatser än de som rekommenderas i denna bruksanvisning eftersom detta kan leda till personskador.

- ◆ Spara den här bruksanvisningen för framtida referens.

## Använda apparaten

- ◆ Använd inte apparaten för att suga upp vätskor eller material som kan fatta eld.
- ◆ Använd inte apparaten i närheten av vatten.
- ◆ Sänk aldrig apparaten i vatten.
- ◆ Dra aldrig i sladden till laddaren när du drar ut den från vägguttaget. Håll sladden till laddaren borta från värme, olja och vassa kanter.
- ◆ Denna apparat kan användas av barn från 8 år och personer med nedsatt fysisk eller psykisk förmåga eller bristande erfarenhet eller kunskap, om de övervakas eller får instruktioner om hur apparaten används på ett säkert sätt och är medvetna om riskerna. Barn ska inte leka med apparaten. Rengöring och användarunderhåll ska inte utföras av barn utan övervakning.

## Kontroll och reparationer

Kontrollera att apparaten inte är skadad eller har defekta delar. Kontrollera att inga delar är trasiga, att strömbrytaren fungerar och att inget annat föreligger som kan påverka dess funktion.

- ◆ Använd inte apparaten om någon del har skadats eller gått sönder.

- ◆ Låt en auktoriserad reparatör reparera eller byta ut skadade eller defekta delar.
- ◆ Kontrollera regelbundet att sladden till laddaren inte har skadats. Byt ut laddaren om sladden är skadad eller trasig.
- ◆ Försök aldrig ta bort eller byta ut andra delar än de som anges i den här bruksanvisningen.

## Ytterligare säkerhetsinstruktioner

### Efter användning

- ◆ Koppla ifrån laddaren innan laddaren eller laddningsbasen rengörs.
- ◆ När apparaten inte används ska den förvaras på en torr plats.
- ◆ Barn ska inte ha tillgång till apparater under förvaring.

### Återstående risker

Ytterligare risker som inte finns med i de bifogade säkerhetsanvisningarna kan uppstå när verktyget används. Dessa risker kan uppstå vid felaktig eller långvarig användning, etc. Även om alla relevanta säkerhetsanvisningar följs och säkerhetsanordningar används kan vissa ytterligare risker inte undvikas. Dessa omfattar:

- ◆ Skador orsakade av att roterande/rörliga delar vidrörs.
- ◆ Skador som uppstår vid byte av delar, klinga eller tillbehör.
- ◆ Skador som orsakas av en långvarig användning av ett verktyg.

Se till att regelbundet ta vilopauser när du använder ett verktyg under en längre period.

- ◆ Hörselnedsättning.
- ◆ Hälsorisker orsakade av inandning av damm när redskapet används (exempel: arbete med trä, särskilt ek, bok och MDF.)



Detta verktyg är dubbelt isolerat; av den orsaken krävs ingen jordledning. Kontrollera alltid så att spänningen på nätet motsvarar den spänning som finns angiven på märkplåten.



Laddningsbasen är endast avsedd för användning inomhus.

#### Etiketter på apparaten

Följande symboler finns på denna apparat tillsammans med datumkoden



Läs hela den här bruksanvisningen noggrant innan du använder apparaten



BHFEV182B, BHFEV182C, BHFEV182CP  
använd laddare S010\*\*2400040 /  
SSC-250040\*\*

#### Funktioner

Detta verktyg har några eller samtliga av följande funktioner.

1. Strömbrytare
2. 3 hastighetsströmbrytare
- 2a. Roterande borste aktiveringsknapp
3. Laddningsstatus
- 3a. Filteravkännare
4. 18V Batteri (tillgängligt med enheter BHFEV182C, BHFEV182CP)
5. 18V koppladdare och laddningsstation (tillgänglig med enheter BHFEV182C, BHFEV182CP)
6. Löstagbar dammbehållare med filterblandare
7. Dammbehållarlucka
8. Golvmunstycke
9. Förlängningsrör
10. 2-i-1 tillbehörsverktyg (tillgänglig för beställning genom serviceavdelningen)
11. Elementmunstycke (tillgänglig med enheter BHFEV182B, BHFEV182C, BHFEV182CP)
12. Klämma tillbehörsförvaring
13. Verktyg för djurhår (tillgänglig med enheter BHFEV182CP)
14. Dammborste med bred öppning (tillgänglig för beställning visa serviceavdelningen)
15. Laddningsuttag

#### Ladda ett batteri

BLACK+DECKERs laddare är designade att ladda BLACK+DECKERs batteripaket.

**Notera:** För att garantera maximal prestanda och livslängd för litiumjon batteripaket:

- ◆ Ladda batteripaketet fullt innan första användning.

## Laddare

Laddaren är avsedd för en viss spänning. Kontrollera alltid att nätspänningen överensstämmer med spänningen på typskylten.

**Varning!** Försök aldrig byta ut laddaren mot en vanlig nätkontakt.

- ◆ Använd endast din BLACK+DECKER laddare för att ladda batteriet i den apparat som den levererades med. Andra batterier kan spricka och orsaka personskador och andra skador.
- ◆ Försök aldrig att ladda ej uppladdningsbara batterier.
- ◆ Om nätsladden är skadad så måste den bytas ut av tillverkaren eller en auktoriserad BLACK+DECKER-verkstad för att undvika risker.
- ◆ Utsätt inte laddaren för vatten.
- ◆ Öppna inte laddaren.
- ◆ Gör ingen åverkan på laddaren.
- ◆ Apparaten/batteriet ska placeras på en plats med god ventilation vid laddning.

## Elsäkerhet

### Symboler på laddaren



Läs hela den här bruksanvisningen noggrant innan du använder apparaten.

- ◆ ladda urladdade batterier så snart som möjligt efter varje användning.
- ◆ Ladda inte ur batterier helt.

Den medföljande laddaren erbjuder tre möjliga sätt att ladda batteriet.

1. Endast standardkoppladdning
2. Väggh monterad koppladdning
3. Väggh monterad stödd koppladdning

### 1. Standardkoppladdning (bild A)

- ◆ Koppla in laddaren (5) i lämpligt uttag innan batteripaketet (4) sätts i.
- ◆ Sätt i batteripaketet i koppladdaren.
- ◆ När koppladdaren används blinkar en grön LED för att indikera att batteriet laddas.
- ◆ När laddningen är klar indikeras detta av att den gröna LED:n lyser kontinuerligt. Batteriet är fulladdat och kan nu användas eller lämnas i laddaren.
- ◆ Koppladdaren kan sättas in i laddningsstationen (5a) såsom visas i bild A.

### 2. Väggh monterad batteriladdning

- ◆ Markera platsen för laddningsstationens (5a) skruvhål på väggen (inom räckhåll från ett eluttag för laddning av dammsugaren medan den sitter på väggen i laddningsstationen).
- ◆ Montera laddningsstationen (5a) på väggen med lämpliga skruvar och pluggar för väggtypen och för apparatens vikt.
- ◆ Installera koppladdaren (5) i laddningsstationen (5a). Se till att den är låst på plats innan du fortsätter.

**Notera:** För att ta bort koppladdaren från laddningsbasen dra ut låsflikarna och lyft ut koppladdaren.

- ◆ Koppla in laddaren i lämpligt uttag innan batteripaketet sätts i.
- ◆ Sätt i batteripaketet i laddningsstationen.

### 3. Väggh monterad dammsugarförvaring och batteriladdning

Produkten kan monteras på en vägg för att du enkelt ska kunna förvara och ladda apparaten. Vid montering på väggen ska du se till att monteringsmetoden är lämplig för väggtypen och för apparatens vikt.

- ◆ Markera platsen för laddningsstationens skruvhål på väggen (inom räckhåll från ett eluttag för laddning av dammsugaren medan den sitter på väggen i laddningsstationen).
- ◆ Montera laddningsstationen på väggen med lämpliga skruvar och pluggar för väggtypen och för apparatens vikt.
- ◆ Installera koppladdaren i laddningsstationen. Se till att den är låst på plats innan du fortsätter.

**Notera:** För att ta bort koppladdaren från laddningsbasen, dra ut låsflikarna och lyft ut koppladdaren.

- ◆ Anslut laddaren till ett lämpligt uttag.

- ◆ Med batteriet installerad i dammsugaren, skjut laddningsuttaget (15) som är placerat på dammsugarbasen på skenorna till laddningsstationen (5a).
- ◆ Den vita LED (3) på dammsugaren kommer att blinka för att indikera att batteriet laddas.
- ◆ LED sektionerna ökar allt eftersom batteriet laddas - när det är fulladdat slocknar LED. Batteriet är fulladdat och kan nu användas eller lämnas i laddaren.

### Lämna batteriet i laddaren

Laddaren och batteripaketet kan vara ansluten till vägguttaget hur länge som helst när den gröna LED-indikatorn lyser. Laddaren ser till att batteriet hålls fräscht och fulladdat.

### Installera batteripaket (bild B)

- ◆ Sätt in batteripaketet (4) i verktyget tills ett hörbart klick hörs såsom visas i bild B.
- ◆ Se till att batteripaketet sitter helt på plats och är låst i positionen.

### Ta bort batteripaketet

- ◆ Tryck ned batterilåsknappen och dra bort batteripaketet (4) från verktyget.

### Montering (bild C)

- ◆ Rikta in ovsidan av förlängningsröret (9) mot dammsugningsingången (16) såsom visas i bild C.
- ◆ Skjut förlängningsröret (9) på dammsugningsingången (16) så att det låses på plats.
- ◆ Rikta in undersidan av förlängningsröret (9) mot golvmunstycket (8) såsom visas i bild C.
- ◆ Skjut undersidan av förlängningsröret (9) på golvmunstycket (8) så det låses på plats.
- ◆ För att ta bort ett tillbehör, tryck på tillbehörets låshake som är placerat på tillbehöret och dra bort det.

### ANVÄNDNING

Denna dammsugare kan användas på ett av fyra sätt.

- ◆ Med förlängningsröret (9) och golvborsten (8) såsom visas i bild C.
- ◆ Med golvborsten (8) och dammsugarinloppet (16) en såsom visas i bild D.
- ◆ Med förlängningsröret (9) och ett tillbehörsverktyg (10), (11), (13) eller (14) såsom visas i bild E.
- ◆ Med ett tillbehörsverktyg (10), (11), (13) eller (14) och dammsugarinloppet (16) såsom visas i bild E.
- ◆ Tillbehör som inte medföljer enheten kan beställas från serviceavdelningen.

### Slå PÅ och stänga AV (bild F)

- ◆ Slå på PÅ genom att trycka in strömbrytaren (1).
- ◆ För ökad effekt, skjut den variabla strömomkopplaren (2) framåt.

**Notera:** Golvborsten (8) kommer att slås på när den fästs på dammsugaren eller förlängningsröret (den kan slås av genom att trycka på knappen 2a på displayen). LED arbetsbelysningen på framsidan av golvmunstycket kommer att lysa närhelst den roterande borstens aktiveringsknapp (2a) slås PÅ (den kan stängas av genom att trycka på knappen igen).

**Notera:** Statusen på laddningsindikatorernas LED (3) kommer att lyda medan dammsugaren är påslagen eller under laddningsprocessen.

- ◆ Stäng AV genom att trycka in strömbrytaren (1).
- ◆ Returnera produkten till laddaren omedelbart efter användning så att den är redo att användas och fulladdad för nästa användning. Se till att produkten har full kontakt med laddarkontakten.

### Använda ett tillbehör (bild G)

Dammsugaren kan levereras med vissa av följande verktyg.

- ◆ 2-i-1 tillbehörsverktyg (10)
- ◆ Elementmunstycke (11).
- ◆ Verktyg för djurhår (13).
- ◆ Dammborste med bred öppning (14).
- ◆ Tillbehörsverktyget (10), (11), (13) eller (14) kan monteras antingen direkt på förlängningsröret (6) eller på dammsugarinloppet (5) såsom visas i bild J.
- ◆ Rikta in ovasidan av tillbehörsverktyget (10), (11), (13) eller (14) mot dammsugarinloppet (16) eller på förlängningsrörets anslutning (9a) och skjut det på plats så att det låses på plats såsom visas i bild G.

	BHF/EV/M2B	BHF/EV/M2C	BHF/EV/M2P
10 2 in 1 Accessory			
11 Crevice tool	✓	✓	✓
12 Accessory storage clip	✓	✓	✓
13 Pet hair tool			✓
14 Wide mouth dust brush			

- ◆ Allt tillgängligt genom serviceavdelningen

### Rengöring och tömning av dammsugaren

#### Filteravkännare

När ett filter är blockerat och behöver rengöras kommer den röda LED (3) i chassit att lysa.

#### Filteragitator (bild H)

Med dammbehållaren (6) bortlyft från chassit (17), vrid filteragitatorns hjul 5 - 10 gånger för att ta bort överskottsamm från filtret samt därmed ökar dess prestanda.

**Notera:** Det rekommenderas att du agiterar när enheten är tömd och förfiltret är borttaget.

**Notera:** Maximal dammuppsamling fås enbart med rena filter och en tom dammbehållare. Om det börjar falla ut damm ur produkten efter att den stängts av innebär det att dammbehållaren är full och behöver tömmas.

### För att tömma dammbehållaren (bild I, J)

- ◆ Lyft upp och ta bort dammbehållaren (6) från chassit (17) såsom visas i bild I.
- ◆ Placera dammbehållaren över en soptunna och tryck på dammbehållarlokets låsknapp (6a) för att tömma dammbehållaren såsom visas i bild J.
- ◆ Stäng dammbehållarlocket (7) tills den "klickar" fast på plats.
- ◆ Sätt tillbaka den bortlyfta dammbehållaren (6) i chassit (17).

### Borttagning av förfiltret (bild K)

- ◆ Lyft upp och ta bort dammbehållaren (6) från chassit (17) såsom visas i bild I.
- ◆ Placera dammbehållaren över en skräpkorg och tryck på dammbehållarlokets låsknapp (6a) för att tömma dammbehållaren såsom visas i bild J.
- ◆ Använd pekfingeret och tummen för att klämma ihop förfiltret (18) och dra ut förfiltret (18) från behållaren (6) såsom visas i bild K.

**Notera:** Filterhöljet har en tight passning i dammbehållaren och kan först vara svårt att ta bort.

- ◆ Tömma dammbehållaren.
- ◆ Installera förfiltret (18) i dammbehållaren (6) se till att dammbehållarens flikar (20) är i linje med förfiltrets öppningar (19) såsom visas i bild K.
- ◆ Installera dammbehållaren i dammsugaren tills den "klickar" fast på plats.

### Borttagning av filtret (bild L)

- ◆ Lyft upp och ta bort dammbehållaren (6) från chassit (17) såsom visas i bild I.
- ◆ Placera dammbehållaren över en skräpkorg och tryck på dammbehållarlokets låsknapp (6a) för att tömma dammbehållaren såsom visas i bild J.
- ◆ Ta tag i agitatorhjulets hölje (21) och dra upp för att ta bort.
- ◆ Ta bort filtret (22) från agitatorhjulets hölje (21) såsom visas i bild L.
- ◆ Skaka av eller borsta lätt bort allt löst damm från filtret.
- ◆ Installera filtret (22) i agitatorhjulets hölje (21).
- ◆ Installera agitatorhjulets hölje (21) på dammbehållaren tills den "klickar" fast på plats.

### Rengöra filtren

- ◆ När filtret och förfiltret är borttaget från dammbehållaren, skaka bort eller borsta försiktigt bort allt löst damm från förfiltret och filtret.
- ◆ Skölj dammbehållaren (6) med varmt såpvatten.
- ◆ Rengör filtren med varmt såpvatten.
- ◆ Se till att filtret är helt torrt (24 tim) innan det sätts tillbaka.
- ◆ Följ instruktionerna i sektionerna "Borttagning av förfiltret och filter" för monteringsinstruktioner.

**Notera:** Maximal dammupsamling fås enbart med rena filter och en tom dammbehållare. Om det börjar falla ut damm ur produkten efter att den stängts av innebär det att dammbehållaren är full och behöver tömmas eller att den finns en blockering någonstans.

- ◆ Skölj filtren regelbundet med varmt såpvatten och se till att det är helt torrt innan det används igen. Ju renare filtret är desto bättre prestanda hos produkten.
- ◆ Det är mycket viktigt att filtret är helt torrt och sitter korrekt på plats innan användning.

### Borttagning och rengöring av de roterande borstarna (bild M)

**Varning!** För att minska risken för skador från rörliga delar, koppla ifrån batteriet innan rengöring eller service.

- ◆ För att ta bort den roterande borsten (23) från golvmunstycket (8) tryck på låsknappen (24) såsom visas i bild M.
- ◆ Lyft den roterande borsten från dess låsta position.
- ◆ Den roterande borsten (23) kan nu tas bort.
- ◆ Rengör den roterande borsten och sätt tillbaka. Se till att den sitter säkert i låst position innan användning.

### Förvaring

Enheten kan säkert förvaras i laddningsstationen (5a) såsom visas i bild N.

### Underhåll

Din sladdlösa BLACK+DECKER-apparat har konstruerats för att fungera under lång tid med minsta möjliga underhåll. Kontinuerlig tillfredsställande drift är beroende av ordentlig verktygsvård och regelbunden rengöring.

**Varning!** Innan du utför underhåll på apparater utan sladd:

- ◆ Ta ur batteriet.
- ◆ Dra ur sladden till laddaren innan du rengör den. Laddaren behöver inget annat underhåll än regelbunden rengöring.
- ◆ Rengör regelbundet apparatens/laddarens luftintag med en mjuk borste eller torr trasa.
- ◆ Rengör motorkåpan regelbundet med en fuktig trasa. Använd aldrig något slipande eller lösningsmedelsbaserat rengöringsmedel.

### Byta filtren

Filtren bör bytas ut var sjätte till nionde månad eller om de är utslitna eller trasiga.

Utbytesfilter finns att köpa hos din BLACK+DECKER-återförsäljare.

- ◆ Ta loss de gamla filtren enligt beskrivningen ovan.
- ◆ Montera de nya filtren enligt beskrivningen ovan.

### Felsökning

Problem	Möjlig orsak	Möjlig lösning
Enheten startar inte.	Batteriet är inte laddat.	Se till att batteriet är ordentligt laddat.
	Blockering.	Kontrollera golvmunstyckets rör.
		Kontrollera förlängningsrör.
Roterande borsten slutar att arbeta.	Hinder.	Kontrollera mellan förlängningsröret och skålen
		Enheten är utrustad med en funktion för överbelastning för roterande borsten. Ta bort och rengör golvmunstycket från allt skräp och hinder
Batteripaketet går inte att ladda.	Laddaren är inte ansluten till elnätet.	Anslut laddaren till ett fungerande eluttag. Se "Viktiga anmärkningar gällande laddning" för närmare information.
	Omgivande temperatur är för varm eller för kall	Flytta laddaren och batteripaketet till en plats där temperaturen är över 4 °C eller under +40 °C.

### Skydda miljön



Separat insamling. Produkter och batterier som är markerade med denna symbol får inte kastas i de vanliga hushållssoporna.

Produkter och batterier innehåller material som kan återanvändas eller återvinnas för att minska behovet av råmaterial. Återvinn elektriska produkter och batterier enligt lokala föreskrifter. Närmare information finns tillgänglig på [www.2helpU.com](http://www.2helpU.com)

### Tekniska data

	BHFEV182B*	BHFEV182C	BHFEV182CP
Spänning	18	18	18
Watt-timmar		36	36
Vikt	2.8	3.17	3.23
Batteri		BL2018	BL2018
Laddare	S010**2400040 / SSC-250040**	S010**2400040 / SSC-250040**	S010**2400040 / SSC-250040**
Laddningstid cirka		5h	5h

\* BHFEV182B är en tom enhet och levereras inte med batteri eller laddare.

**Garanti**

Black & Decker är säker på kvaliteten hos denna produkt och erbjuder kunder 24 månaders garanti från inköpsdatumet. Garantin gäller utöver konsumentens rättigheter enligt lag och påverkar inte dessa. Garantin är giltig i de områden som tillhör medlemsstaterna i Europeiska unionen och det europeiska frihandelsområdet.

För yrkande under garantin måste yrkandet vara in enlighet med Black&Deckers villkor och du kommer att behöva skicka in bevis på köpet till försäljaren eller en auktoriserad reparatör.

Villkoren för Black&Deckers tvååriga garanti och var du hittar din närmaste auktoriserade reparatör kan erhållas på internet på [www.2helpU.com](http://www.2helpU.com), eller genom att kontakta ditt lokala Black & Decker kontor på adressen som angetts i denna bruksanvisning.

Besök vår webbplats [www.blackanddecker.se](http://www.blackanddecker.se) för att registrera din nya Black & Decker-produkt samt för att få information om nya produkter och specialerbjudanden.

**Tiltenkt bruk**

Dine BLACK+DECKER BHFEV182B, BHFEV182C, BHFEV182CP 4-i-1 trådløse støvsugere er designet for støvsuging. Disse apparatene er bare beregnet for bruk i hjemmet.



Les hele denne håndboken nøye før du bruker apparatet.

**Sikkerhetsinstruksjoner**

**Advarsel! Les alle sikkerhetsadvarsler og alle instruksjoner.** Hvis advarslene og anvisningene nedenfor ikke overholdes, kan det medføre elektrisk støt, brann og/eller alvorlige personskader.

- ◆ Beregnet bruk er beskrevet i denne bruksanvisningen.

Hvis du bruker annet tilbehør, kobler til annet utstyr eller bruker dette apparatet til andre oppgaver enn det som er anbefalt i denne håndboken, kan det føre til fare for personskade.

- ◆ Ta vare på denne bruksanvisningen for fremtidig bruk.

**Bruke produktet**

- ◆ Ikke bruk apparatet til å suge opp væske eller materialer som kan ta fyr.
  - ◆ Ikke bruk apparatet i nærheten av vann.
  - ◆ Ikke senk apparatet ned i vann.
  - ◆ Ikke dra i ledningen når du skal fjerne laderen fra stikkontakten. Hold ledningen til laderen borte fra varmekilder, olje og skarpe kanter.
  - ◆ Dette apparatet kan brukes av barn som er 8 år eller eldre samt av personer som har reduserte fysiske, sansemessige eller mentale evner, eller som mangler erfaring og kunnskap, hvis de har tilsyn eller har fått veiledning i bruk av apparatet på en trygg måte og forstår farene som foreligger. Barn skal ikke leke med apparatet.
- Rengjøring og brukervedlikehold skal ikke utføres av barn uten tilsyn.

**Kontroll og reparasjon**

Kontroller at apparatet ikke er skadet eller har defekte deler før du bruker det. Undersøk om brytere eller andre deler er skadet, eller om det er andre forhold som kan påvirke bruken.

- ◆ Ikke bruk produktet hvis noen del er skadet eller defekt.
- ◆ Overlat reparasjon eller utskifting av skadde eller defekte deler til et autorisert serviceverksted.
- ◆ Kontroller regelmessig om ledningen til laderen er skadet. Skift ut laderen hvis ledningen er skadet eller defekt.
- ◆ Forsøk aldri å fjerne eller skifte ut andre deler enn dem som er oppgitt i denne håndboken.
- ◆ Personskader som skyldes for lang tids bruk av verktøyet. Når du bruker et verktøy i lange perioder, må du sørge for å ta regelmessige pauser.
- ◆ Hørselskader.
- ◆ Helsefarer forårsaket av innånding av støv som utvikler seg når du bruker verktøyet (eksempel: arbeid med tre, spesielt eik, bøk og MDF.)

### Ladere

Laderen er konstruert for en bestemt spenning. Kontroller alltid at nettspenningen er i overensstemmelse med spenningen på typeskiltet.

**Advarsel!** Ikke skift ut laderen med et vanlig nettstøpsel.

- ◆ Bruk bare BLACK+DECKER-laderen til å lade batteriet i apparatet som laderen ble levert sammen med. Andre batterier kan sprekke og føre til personskade og materiell skade.
- ◆ Prøv aldri å lade ikke-oppladbare batterier.
- ◆ Hvis strømledningen blir skadet, må den byttes av produsenten eller et autorisert BLACK+DECKER-servicesenter for å unngå fare.
- ◆ Ikke utsett laderen for vann.
- ◆ Ikke åpne laderen.
- ◆ Ikke stikk gjenstander eller fingre inn i laderen.
- ◆ Apparatet, verktøyet eller batteriet må plasseres på et sted med god gjennomlufting under ladning.

## Ytterligere sikkerhetsinstruksjoner

### Etter bruk

- ◆ Ta ut støpselet til laderen før du rengjør laderen eller ladesokkelen.
- ◆ Når produktet ikke er i bruk, skal det oppbevares på et tørt sted.
- ◆ Barn skal ikke ha tilgang til apparater som oppbevares.

### Restrisikoer

Når verktøyet brukes, kan det oppstå ytterligere risikoer som kanskje ikke er beskrevet i de medfølgende sikkerhetsadvarslene. Disse risikoene kan bli forårsaket av feil bruk, langvarig bruk osv. Selv om de relevante sikkerhetsbestemmelsene blir fulgt, og sikkerhetstiltakene blir gjennomført, kan visse gjenværende risikoer ikke unngås. Disse inkluderer:

- ◆ Personskader som forårsakes av berøring av en roterende/bevegelig del.
- ◆ Personskader som oppstår ved skifte av deler, blader eller tilbehør.

# Elektrisk sikkerhet

## Symboler på laderen



Les hele denne håndboken nøye før du bruker produktet.



Dette verktøyet er dobbeltisolert. Jording er derfor ikke nødvendig. Kontroller alltid at strømforsyningen samsvarer med spenningen på merkeskiltet.



Ladeenheten er bare beregnet for bruk innendørs.

## Produktmerking

Følgende symboler vises på apparatet sammen med datokoden



Les hele denne håndboken nøye før du bruker produktet



BHFEV182B, BHFEV182C, BHFEV182CP  
bruk lader S010\*\*2400040 /  
SSC-250040\*\*

## Funksjoner

Dette verktøyet har noen av eller alle følgende egenskaper.

1. På/av-knapp
2. Strømbryter med 3 hastigheter
- 2a. Børstehode aktiveringsknapp
3. Ladeindikator
- 3a. Filter sense
4. 18 V batteri (tilgjengelig for enhetene BHFEV182C, BHFEV182CP)
5. 18 V kopp-lader og ladestasjon (tilgjengelig for enhetene BHFEV182C, BHFEV182CP)
6. Løft bort støvoppsamlere med filteragitorator
7. Støvoppsamlerdør
8. Gulvmunnstykke
9. Forlengerslange
10. 2-i-1-tilbehørsverktøy (kan bestilles via serviceavdelingen)
11. Sugestykke (tilgjengelig for enhetene BHFEV182B, BHFEV182C, BHFEV182CP)
12. Lagringsklips tilbehør
13. Hårverktøy for kjæledyr (tilgjengelig for enhetene BHFEV182CP)
14. Støvbørste med vid munn (kan bestilles via serviceavdelingen)
15. Ladeport

## Lade et batteri

BLACK+DECKER-ladere er designet til å lade BLACK+DECKER-batteripakker.

**Merk:** For å sikre maksimal ytelse og levetid for litium-ionbatteripakker:

- ◆ Lad batteripakken helt opp før du bruker den for første gang.
- ◆ Lad opp utladede batterier så snart som mulig etter hver bruk.
- ◆ Lad ikke batteriene helt ut.

Den medfølgende laderen gir tre måter å lade batteriet ditt på.

1. Kun standard kopp-lading
2. Veggmontert kopp-lading
3. Veggmontert hengende kopp-lading

## 1. Standard kopp-lading (fig. A)

- ◆ Plugg inn laderen (5) i en passende stikkontakt før du setter inn batteripakken (4).
- ◆ Sett batteripakken inn i kopp-laderen.
- ◆ Når du bruker kopp-laderen, vil det grønne LED-lyset blinke for å varsle om at batteriet lades.
- ◆ Fullført lading vises ved at den grønne LED-en er på. Pakken er da fullt oppladet og kan brukes, eller den kan bli stående i laderen.
- ◆ Kopp-laderen kan settes inn i ladestasjonen (5a) som vist i figur A.

## 2. Veggmontert batterilading

- ◆ Merk plasseringen av ladestasjonens (5a) skruerull på vegg (innenfor rekkevidde av en stikkontakt) for lading av støvsugeren mens den henger på ladestasjonen.
- ◆ Fest ladestasjonen (5a) på vegg ved hjelp av skruer og støpsler som passer til veggtypen og vekten av apparatet.
- ◆ Installer kopp-laderen (5) i ladestasjonen (5a). Sikre at den er låst på plass før du fortsetter.

**Merk:** Fjern kopp-laderen fra ladebasen ved å trekke ut støtteknastene og løfte av kopp-laderen.

- ◆ Plugg laderen inn i et passende støpsel før du setter inn batteripakken.
- ◆ Skyv batteripakken på ladestasjonen.

## 3. Veggmontert støvsugeroppbevaring og batterilading

Produktet kan festes til vegg, der det kan oppbevares og lades på en praktisk måte. Ved montering på vegg må du sørge for at monteringsmetoden passer til veggtypen og at festet kan bære vekten av apparatet.

- ◆ Merk plasseringen av ladestasjonens skruerull på vegg (innenfor rekkevidde av en stikkontakt for lading av støvsugeren mens den henger på ladestasjonen).
- ◆ Fest ladestasjonen på vegg ved hjelp av skruer og støpsler som passer til veggtypen og vekten av apparatet.
- ◆ Installer kopp-laderen i ladestasjonen. Sikre at den er låst på plass før du fortsetter.

**Merk:** For å fjerne kopp-laderen fra ladebasen trekker du ut støtteknastene og løfter av kopp-laderen.

- ◆ Plugg inn laderen i en passende stikkontakt.

- ◆ Med batteriet installert i støvsugeren skyver du ladeporten (15) som befinner seg på støvsugerbasen på skinnene av ladestasjonen (5a).
- ◆ Det hvite LED-lyset (3) på støvsugeren blinker for å varsle om at batteriet lades.
- ◆ LED-delen øker når batteriet lader – når batteriet er fulladet, slukkes LED-lysene. Pakken er da fullt oppladet og kan brukes, eller den kan bli stående i laderen.

### La batteriet være i laderen

Laderen og batteripakken kan forbli tilkoblet med lysende LED-lys i ubegrenset tid. Laderen holder batteripakken klar og fulladet.

### Installerer batteripakken (fig. B)

- ◆ Sett batteriet (4) inn i verktøyet til du hører et klikk når det går i lås, se figur B.
- ◆ Pass på at batteripakken er satt godt inn og er låst på plass.

### Ta ut batteripakken

- ◆ Trykk på batteriutløserknappen og dra batteripakken (4) ut av verktøyet.

### Montering (fig. C)

- ◆ Rett inn toppen av forlengerslangen (9) med sugeinnløpet (16) som vist i figur C.
- ◆ Trykk forlengerslangen (9) på sugeinnløpet (16) slik at den låses på plass.
- ◆ Rett inn enden av forlengerslangen (9) med gulvhodet (8) som vist i figur C.
- ◆ Trykk enden av forlengerslangen (9) på gulvhodet (8) slik at den låses seg i posisjon.
- ◆ For å fjerne et tilbehør trykker du på tilbehørets utløserknapp på tilbehøret og trekker det av.

### BRUK

Denne støvsugeren kan brukes på en av fire måter.

- ◆ Med forlengerslangen (9) med gulvbørsten (8) som vist i figur C.
- ◆ Med gulvbørsten (8) og sugeinnløpet (16) som vist i figur D.
- ◆ Med forlengerslangen (9) og et tilbehørsverktøy (10), (11), (13) eller (14) som vist i figur E.
- ◆ Med et tilbehørsverktøy (10), (11), (13) eller (14) og sugeinnløpet (16) som vist i figur E.
- ◆ Tilbehør som ikke leveres med enheten din kan bestilles via serviceavdelingen.

### Slå PÅ og AV (fig. F)

- ◆ Trykk på av/på-knappen (1) for å slå verktøyet PÅ.
- ◆ For økt kraft skyver du den variable strømbryteren (2) fremover.

**Merk:** Gulvbørsten (8) blir slått på når den er festet på støvsugeren eller forlengerslangen (den kan slås av ved å trykke på knappen 2a på skjermen). LED-lysene på fremsiden av gulvhodet vil lyse når børstehodets aktiveringsknapp (2a) slås PÅ (de kan slås av ved å trykke på knappen igjen).

**Merk:** Ladeindikatorens LED-lys (3) vil lyse mens støvsugeren er PÅ eller under ladeprosessen.

- ◆ Trykk på av/på-knappen (1) for å slå verktøyet AV.
- ◆ Sett produktet tilbake i laderen umiddelbart etter bruk slik at det er klart og fulladet til neste bruk. Forsikre deg om at produktet er helt satt inn i ladepluggen.

### Bruke et tilbehør (fig. G)

Støvsugeren din kan komme med noen av følgende verktøy.

- ◆ 2-i-1-tilbehørsverktøy(10)
- ◆ Sugestykke (11).
- ◆ Hårverktøy for kjæledyr (13).
- ◆ Støvbørste med vid munn (14).
- ◆ Tilbehørsverktøyet (10), (11), (13) eller (14) kan festes enten direkte på forlengerslangen (6) eller på sugeinnløpet (5) som vist i fig. J.
- ◆ Juster toppen av tilbehørsverktøyet (10), (11), (13) eller (14) med sugeinnløpet (16) eller forlengerslangen (9a) og skyv det på plass slik at det låses på plass som vist i figur G.

	BHPFV 132B	BHPFV 132C	BHPFV 132CP
10 2 in 1 Accessory			
11 Crevice tool	✓	✓	✓
12 Accessory storage clip	✓	✓	✓
13 Pet hair tool			✓
14 Wide mouth dust brush			

- ◆ Alle er tilgjengelige via serviceavdelingen

### Rengjøre og tømme støvsugeren

#### Filter sense

Dersom filteret er blokkert og trenger rens, tennes det røde filter-LED-lyset (3) i huset.

#### Filteragitator (fig. H)

Løft støvoppsamleren (6) av huset (17), roter filteragitatorhjul 5–10 ganger for å fjerne overdrevent støv fra filteret og gi bedre ytelse.

**Merk:** Det er anbefalt at du rister enheten når enheten tømmes og grovfilteret er fjernet.

**Merk:** Den optimale støvsugingen oppnår du bare hvis filtrene er rene og støvoppsamleren er tom. Hvis det faller støv ut av apparatet etter at det er slått av, kan det bety at støvoppsamleren er full og må tømmes.

#### For å tømme støvoppsamleren (fig. I og J)

- ◆ Løft av støvhuset (6) fra huset (17) som vist i figur I.

- ◆ Sett støvoppsamleren over en støvbøtte og trykk på utløserknappen (6a) til støvoppsamlerens lokk for å tømme støvoppsamleren som vist i figur J.
- ◆ Lukk lokket (7) til støvoppsamleren til den klikker fast i posisjon.
- ◆ Installer støvoppsamleren (6) tilbake på huset (17).

### Fjerne grovfilteret (fig. K)

- ◆ Løft av støvhuset (6) fra huset (17) som vist i figur I.
- ◆ Sett støvoppsamleren over en søppelbøtte og trykk på utløserknappen (6a) til støvoppsamlerens lokk for å tømme støvoppsamleren som vist i figur J.
- ◆ Bruk pekefingeren og tommelen til å klype sammen grovfilteret (18) og trekk grovfilteret (18) fra støvoppsamleren (6) som vist i figur K.

**Merk:** Filterhuset sitter godt i støvoppsamleren og kan være vanskelig å fjerne i begynnelsen.

- ◆ Tømme støvoppsamleren.
- ◆ Installer grovfilteret (18) i støvoppsamleren (6) og sikre at støvoppsamlerens knaster (20) rettes inn med grovfiltersporet (19) som vist i figur K.
- ◆ Installer støvoppsamleren på støvsugeren til den klikker fast i posisjon.

### Fjerne filteret (fig. L)

- ◆ Løft av støvhuset (6) fra huset (17) som vist i figur I.
- ◆ Sett støvoppsamleren over en søppelbøtte og trykk på utløserknappen (6a) til støvoppsamlerens lokk for å tømme støvoppsamleren som vist i figur J.
- ◆ Grip agitatorhjulhuset (21) og trekk det opp for å fjerne.
- ◆ Fjern filteret (22) fra agitatorhjulhuset (21) som vist i figur L.
- ◆ Rist av eller børst lett av alt løst støv fra filteret.
- ◆ Installer filteret (22) på agitatorhjulhuset (21).
- ◆ Installer agitatorhjulhuset (21) på støvoppsamleren til den klikker fast i posisjon.

### Rengjøre filterne

- ◆ Når filteret og grovfilteret fjernes fra støvoppsamleren, rister du av eller børster lett bort løst støv fra grovfilteret og filteret.
- ◆ Skyll støvoppsamleren (6) med varmt såpevann.
- ◆ Vask filterne i varmt såpevann.
- ◆ Sørg for at filterne er helt tørre (24 timer) før du installerer på nytt.
- ◆ Følg instruksjonene i avsnittene «Fjerne grovfilteret og Fjerne filteret» for monteringsinstruksjoner.

**Merk:** Den optimale støvsugingen oppnår du bare hvis filterne er rene og støvoppsamleren er tom. Hvis det faller støv ut av apparatet etter at det er slått av, kan det bety at støvoppsamleren er full og må tømmes eller at det er en blokkering et sted.

- ◆ Vask filterne regelmessig med varmt såpevann og forsikre deg om at de er helt tørre før du bruker dem igjen.

Desto renere filteret er, desto bedre vil produktet fungere.

- ◆ Det er veldig viktig at filterne er helt tørre og i korrekt posisjon før bruk.

### Fjerning og rengjøring av de roterende børstene (fig. M)

**Advarsel!** For å redusere faren for personskade fra bevegende deler, koble fra batteriet før du rengjør eller utfører service.

- ◆ For å ta av den roterende børsten (23) fra gulvmunnstykket (8), trykk inn låseknappen (24) som vist på figur M.
- ◆ Løft den roterende børsten fra sin låste posisjon.
- ◆ Den roterende børsten (23) kan nå tas av.
- ◆ Rengjør den roterende børsten og installer på nytt. Sørg for at den er sikkert festet i låst posisjon før bruk.

### Lagring

Enheden kan trygt oppbevares ved bruk av ladestasjonen (5a) som vist i figur N.

### Vedlikehold

Det batteridrevne BLACK+DECKER-produktet er konstruert for å være i drift over lengre tid, med et minimum av vedlikehold. For at den skal fungere tilfredsstillende over tid, er det viktig å sørge for riktig stell av verktøyet og regelmessig renhold.

**Advarsel!** Før du utfører vedlikehold på et batteridrevet apparat:

- ◆ Ta ut batteriet.
- ◆ Trekk ut laderen fra stikkkontakten før du rengjør den. Laderen krever ikke annet vedlikehold enn regelmessig rengjøring.
- ◆ Rengjør ventilasjonsåpningene i apparatet/laderen regelmessig med en myk børste eller tørr klut.
- ◆ Rengjør motorhuset regelmessig med en fuktig klut. Ikke bruk slipende eller løsemiddelbaserte rengjøringsmidler.

### Utskifting av filterne

Filterne bør skiftes ut hver 6. til 9. måned og ellers hvis de er slitt eller skadet.

Reservefiltere får du hos en BLACK+DECKER-forhandler.

- ◆ Ta ut de gamle filterne som beskrevet ovenfor.
- ◆ Sett inn de nye filterne som beskrevet ovenfor.

### Feilsøking

Problem	Mulig årsak	Mulig løsning
Enheden starter ikke.	Batteripakken er ikke ladet.	Kontroller kravene til ladning av batteripakken.
	Blokkering.	Sjekk gulvhodeslangen.
		Sjekk forlengerslangen.
		Sjekk mellom forlengerslangen og oppsamleren

Børstehodet slutter å fungere.	Obstruksjon.	Enheten er utstyrt med en overbelastningsbeskyttelse for børstehodet. Fjern og rengjør børstehodet for alle fremmedlegemer og obstruksjoner
Batteripakken blir ikke ladet.	Laderen er ikke satt i stikkontakten.	Sett laderen i en stikkontakt som virker. Se Viktige merknader om lading for mer informasjon.
	Omgivelsestemperaturen er for varm eller kald	Flytt laderen og batteriet til et sted over 4 °C og under 40 °C.

Betingelsene for Black&Deckers 2 års garanti og adressen til din nærmeste autoriserte serviceverksted kan du finne på internett under [www.2helpU.com](http://www.2helpU.com), eller ved å kontakte ditt lokale Black & Decker kontor, adressen er angitt i denne bruksanvisningen.

Besøk våre nettsider på [www.blackanddecker.no](http://www.blackanddecker.no) for å registrere ditt nye Black & Decker-produkt og for å få informasjon om nye produkter og spesialtilbud.

(Oversættelse af de oprindelige instruktioner)

### Tilsigtet brug

Dine BLACK+DECKER BHFEV182B, BHFEV182C, BHFEV182CP 4-i-1 ledningsfri håndholdte støvsugere er designet til støvsugningsformål. Disse apparater er kun beregnet til brug i hjemmet.



Læs hele vejledningen omhyggeligt, før du bruger apparatet.

## Sikkerhedsinstruktioner



**Advarsel! Læs alle sikkerhedsadvarsler og alle instruktioner.** Hvis efterfølgende advarsler og instruktioner ikke følges, er der risiko for elektrisk stød, brand og alvorlige kvæstelser.

- Den tilsigtede brug er beskrevet i denne vejledning. Brugen af ekstraudstyr eller tilbehør eller udførelse af andet arbejde med dette apparat end det, der anbefales i denne vejledning, kan udgøre en fare for kvæstelser.
- Opbevar denne vejledning til senere brug.

### Brug af apparatet

- Brug ikke apparatet til at opsamle væske eller stoffer, der kan være antændelige.

### Miljøvern



Separat avfallshåndtering. Produkter og batterier merket med dette symbolet skal ikke kastes i vanlig husholdningsavfall.

Produkter og batterier inneholder materialer som kan gjenbrukes eller gjenvinnes for å redusere behovet for nye råmaterialer. Vennligst lever elektrisk utstyr og batterier til gjenbruk i henhold til lokale regler. Mer informasjon finner du på [www.2helpU.com](http://www.2helpU.com)

### Tekniske data

	BHFEV182B*	BHFEV182C	BHFEV182CP
Spenning	18	18	18
Watt-timer		36	36
Vekt	2,8	3,17	3,23
Batteri		BL2018	BL2018
Lader	S010**2400040 / SSC-250040**	S010**2400040 / SSC-250040**	S010**2400040 / SSC-250040**
Omtrentlig ladetid		5 timer	5 timer

\* BHFEV182B er en enkeltstående enhet og kommer ikke med batteri og lader.

### Garanti

Black & Decker er trygg på kvaliteten av produktene sine og tilbyr en 24 måneders garanti fra kjøpsdato. Denne garanti-erklæringen kommer i tillegg til dine lovbestemte rettigheter og er ikke i konflikt med disse. Garantien er gyldig innen områdene tilhørende medlemslandene i den Europeiske Union (EU) og det Europeiske Frihandelsområdet (EFTA).

For å ta garantien i bruk må kravet være i samsvar med kjøpsbetingelsene fra Black&Decker og du må vise kjøpskvittering til forhandleren eller til et autorisert serviceverksted.

- ◆ Brug ikke apparatet i nærheden af vand.
- ◆ Apparatet må ikke nedsænkes i vand.
- ◆ Træk aldrig i laderens ledning for at afbryde laderen fra stikkontakten. Beskyt laderens ledning imod varmepåvirkninger, olie og skarpe kanter.
- ◆ Dette apparat kan bruges af børn i en alder fra 8 år og derover og personer med nedsatte fysiske, sensoriske eller mentale evner eller manglende erfaring og viden, hvis det sker under overvågning, eller de vejledes i brugen af apparatet på en sikker måde, og de forstår de farer, som er forbundet dermed. Børn må ikke lege med apparatet.  
Rengøring og brugervedligeholdelse må ikke foretages af børn uden opsyn.

### Eftersyn og reparationer

Før brug skal apparatet kontrolleres for beskadigede eller defekte dele. Se efter knækkede dele, skader på kontakter og eventuelle andre tilstande, der kan påvirke apparatets funktion.

- ◆ Brug ikke apparatet med beskadigede eller defekte dele.
- ◆ Få beskadigede eller defekte dele repareret eller udskiftet på et autoriseret værksted.
- ◆ Kontroller regelmæssigt opladerens ledning for skader. Udskift opladeren, hvis ledningen er beskadiget eller defekt.

- ◆ Forsøg aldrig at fjerne eller udskifte dele ud over dem, der er beskrevet i denne vejledning.

### Yderligere sikkerhedsvejledninger

#### Efter brug

- ◆ Træk laderen ud af stikkontakten, før laderen eller laderens basisenhed rengøres.
- ◆ Opbevar apparatet på et tørt sted, når det ikke er i brug.
- ◆ Børn må ikke have adgang til opbevarede apparater.

#### Tilbageværende risici

Der kan opstå yderligere, tilbageværende risici under brugen af apparatet, som muligvis ikke behandles i de vedlagte sikkerhedsadvarsler. Disse risici kan opstå pga. forkert anvendelse, langvarig brug etc.

Selv ved overholdelse af relevante sikkerhedsforskrifter og anvendelse af sikkerhedsudstyr kan visse resterende risici ikke undgås. Disse omfatter:

- ◆ Tilskadekomst forårsaget af berøring af roterende/bevægelige dele.
- ◆ Tilskadekomst forårsaget af udskiftning af dele, klinger eller tilbehør.
- ◆ Tilskadekomst forårsaget af langvarig brug af et værktøj. Husk at holde pause jævnligt ved brug af et apparat i længere tid.
- ◆ Hørenedsættelse.

- ◆ Sundhedsrisici forårsaget af indånding af støv, der genereres ved brug af værktøjet (eksempel: arbejde med træ, især, eg, bøg og MDF.)



Opladerens basisenhed er kun beregnet til indendørs brug.

### Mærkater på apparatet

Apparatet er forsynet med følgende advarselssymboler samt datokoden



Læs hele vejledningen omhyggeligt, før du bruger apparatet



S010\*\*2400040 /  
SSC-250040\*\*

BHFEV182B, BHFEV182C, BHFEV182CP  
bruger oplader S010\*\*2400040 /  
SSC-250040\*\*

### Funktioner

Apparatet har nogle eller alle af de følgende funktioner.

1. Tænd/sluk-knap
2. 3-hastighedskontakt
- 2a. Aktiveringsknap til tæppebanker
3. Ladeindikator
- 3a. Filterfølér
4. 18V batteri (tilgængeligt med enhederne BHFEV182C, BHFEV182CP)
5. 18V kop-oplader og opladningsstation (tilgængelig med enhederne BHFEV182C, BHFEV182CP)
6. Støvbeholder til aftagning med filteragitor
7. Støvbeholderdæksel
8. Gulvmundstykke
9. Forlængerrør
10. 2-i-1 tilbehørværktøj (kan bestilles gennem serviceafdeling)
11. Revneværktøj (tilgængeligt med enhederne BHFEV182B, BHFEV182C, BHFEV182CP)
12. Tilbehørsbevaringsclips
13. Dyrehårsværktøj (tilgængeligt med enhederne BHFEV182CP)
14. Støvbørste med stor mund (kan bestilles gennem serviceafdeling)
15. Opladningsåbning

### Opladning af et batteri

BLACK+DECKER opladere er designet til opladning BLACK+DECKER batteripakker.

**Bemærk:** For at sikre maksimal ydeevne og levetid af lithium ion batteripakker:

- ◆ Lad batteriet helt op, inden det bruges første gang.
- ◆ Oplad afladede batterier, så snart det er muligt, efter hver brug.
- ◆ Aflad ikke batterier helt.

Den medfølgende oplader tilbyder tre mulige måder at oplade dit batteri på.

1. Kun standard kop-opladning

## Opladere

Opladeren er udviklet til en specifik spænding. Kontroller altid, at net-spændingen svarer til spændingen på typeskiltet.

**Advarsel!** Forsøg aldrig at erstatte opladerenheden med et almindeligt netstik.

- ◆ Brug kun din BLACK+DECKER-lader til at oplade batteriet i det værktøj, som den blev leveret sammen med. Andre batterier kan eksplodere og forårsage kvæstelser og materielle skader.
- ◆ Forsøg aldrig at oplade ikke-genopladelige batterier.
- ◆ Hvis netledningen beskadiges, skal den udskiftes af producenten eller et autoriseret BLACK+DECKER-værksted, så farlige situationer undgås.
- ◆ Opladeren må ikke udsættes for fugt.
- ◆ Opladeren må ikke åbnes.
- ◆ Opladeren må ikke undersøges.
- ◆ Apparatet/værktøjet/batteriet skal anbringes et sted med god udluftning, når det oplades.

## Elektricitet og sikkerhed

### Symboler på opladeren



Læs hele vejledningen omhyggeligt, før du bruger apparatet.



Dette værktøj er dobbelt isoleret, derfor er en jordledning ikke nødvendig. Kontrollér altid, at strømforsyningen svarer til spændingen på mærkepladen.

2. Vægmonteret kop-opladning
3. Vægmonteret ophængt opladning

### 1. Standard kop-opladning (fig. A)

- ◆ Indsæt opladeren (5) i en passende udgang, før batteripakken indsættes (4).
- ◆ Indsæt batteripakken i kop-opladeren.
- ◆ Når du bruger kop-opladeren, blinker en grøn LED for at vise, at batteriet oplades.
- ◆ Når opladningen er færdig, vil det blive angivet af den grønne LED, som vil lyse konstant. Pakken er fuldt opladet og kan nu anvendes eller kan efterlades i opladeren.
- ◆ Kop-opladeren kan indsættes i opladningsstationen (5a), som vist i figur A.

### 2. Vægmonteret batteriopladning

- ◆ Marker hvor skruehullerne på opladningsstationen (5a) befinder sig på væggen (i nærheden af en stikkontakt), så støvsugeren kan oplades, mens den sidder i opladningsstationen.
- ◆ Fastgør opladningsstationen (5a) til væggen med passende skruer og stik for vægtypen og apparatets vægt.
- ◆ Installér kopopladeren (5) i opladningsstationen (5a). Sørg for, at den er låst fast, inden du fortsætter.

**Bemærk:** For at fjerne kopopladeren fra opladningsbasen skal du trække holdetapperne ud og løfte kopopladeren ud.

- ◆ Indsæt opladeren i en passende udgang, før batteripakken indsættes.
- ◆ Skub batteripakken på opladningsstationen.

### 3. Vægmonteret støvsugeropbevaring og batteriopladning

Produktet kan monteres på væggen, hvilket giver et praktisk opbevarings- og opladningssted til apparatet. Før vægmontering skal det sikres, at monteringsmetoden er egnet til væggens type og tilstrækkelig til at understøtte apparatets vægt.

- ◆ Marker hvor skruehullerne på opladningsstationen befinder sig på væggen i nærheden af en stikkontakt, så støvsugeren kan oplades, mens den sidder i opladningsstationen.
- ◆ Fastgør opladningsstationen til væggen med passende skruer og stik for vægtypen og apparatets vægt.
- ◆ Installér kopopladeren i opladningsstationen. Sørg for, at den er låst fast, inden du fortsætter.

**Bemærk:** For at fjerne kopopladeren fra opladningsbasen skal du trække holdetapperne ud og løfte kopopladeren ud.

- ◆ Indsæt opladeren i en passende udgang.
- ◆ Mens batteriet er installeret på støvsugeren, skal du skubbe opladningsåbningen (15), placeret på støvsugerbunden, på skinnerne af opladningsstationen (5a).
- ◆ Den hvide LED (3) på støvsugeren blinker og viser dermed, at batteriet bliver opladet.

- ◆ LED-sektionerne øges, når batteriet oplades - når det er helt opladet, slukkes LED-lamperne. Pakken er fuldt opladet og kan nu anvendes eller kan efterlades i opladeren.

### Lad batteriet blive siddende i opladeren

Du kan lade batteripakken sidde i laderen med den grønne LED tændt, så længe det ønskes. Opladeren holder batteripakken klar og fuldt opladet.

### Sådan installeres batteripakken (fig. B)

- ◆ Sæt batteriet (4) ind i værktøjet, indtil der kan høres et klik, som vist på figur B.
- ◆ Sørg for, at batteripakken er helt skubbet ind og låst i position.

### Sådan udtages batteripakken

- ◆ Tryk på batteriets udløserknap, og træk batteripakken (4) ud af værktøjet.

### Montering (fig. C)

- ◆ Juster toppen af forlængerrøret (9) med støvsugerindgangen (16), som vist på figur C.
- ◆ Skub forlængerrøret (9) på støvsugerindgangen (16), så det låses på plads.
- ◆ Juster bunden af forlængerrøret (9) med gulvmundstykket (8), som vist på figur C.
- ◆ Skub bunden af forlængerrøret (9) på gulvmundstykket (8), så det låses på plads.
- ◆ For at fjerne et tilbehør skal du trykke på udløsningslugen til tilbehør, der befinder sig på tilbehøret, og trække det af.

### ANVENDELSE

Denne støvsuger kan bruges på en af fire måder.

- ◆ Med forlængerrøret (9) og gulvmundstykket (8), som vist på figur C.
- ◆ Med gulvmundstykket (8) og støvsugerindgangen (16), som vist i figur D.
- ◆ Med forlængerrøret (9) og tilbehørsværktøjet (10), (11), (13) eller (14), som vist på figur E.
- ◆ Med et tilbehørsværktøj (10), (11), (13) eller (14) og støvsugerindgangen (16), som vist på figur E.
- ◆ Tilbehør, der ikke leveres med din enhed, kan bestilles gennem serviceafdeling.

### Tænd og sluk (fig. F)

- ◆ Tænd ved at trykke på tænd/sluk-knap (1).
- ◆ For øget effekt kan du skubbe kontakten for variabel effekt (2) fremad.

**Bemærk:** Gulvmundstykket (8) tændes, når det er fastgjort til støvsugeren eller forlængerrøret (det kan slukkes ved at trykke på knappen 2a på displayet). LED-arbejdslysene på forsiden af gulvmundstykket lyser, hver gang aktiveringsknappen til tæppebanker (2a) tændes (de kan slukkes ved at trykke på knappen igen).

**Bemærk:** Ladeindikatorerne (3) lyser, når støvsugeren er tændt, eller under opladningsprocessen.

- ◆ Sluk ved at trykke på tænd/sluk-knap (1).
- ◆ Sæt øjeblikkeligt produktet på opladeren med det samme efter brug, så det er klar og helt opladet til næste brug. Sørg for, at produktet er helt koblet til ladestikket.

### Brug af tilbehørsværktøj (fig. G)

Din støvsuger kan blive leveret med nogle af de følgende værktøjer.

- ◆ 2-i-1 tilbehørsværktøj (10)
- ◆ Revneværktøj (11).
- ◆ Dyrehårsværktøj (13).
- ◆ Støvbørste med stor mund (14).
- ◆ Tilbehørsværktøjet (10), (11), (13) eller (14) kan enten monteres direkte på forlængerrøret (6) eller støvsugerindgangen (5), som vist på fig. J.
- ◆ Juster toppen af tilbehørsværktøjet (10), (11), (13) eller (14) med støvsugerindgangen (16) eller forlængerrørforbindelsen (9a), og skub den på plads, så den låses i position, som vist på figur G.

	BHFEV182B	BHFEV182C	BHFEV182CP
10 2 in 1 Accessory			
11 Crevice tool	√	√	√
12 Accessory storage clip	√	√	√
13 Pet hair tool			√
14 Wide mouth dust brush			

- ◆ Alle tilgængelige gennem serviceafdeling

### Rengøring og tømning af støvsugeren

#### Filterføler

Når et filter er blokeret og trænger til rengøring, vil det røde filter LED (3) i chassiset lyse.

#### Filteragitator (fig. H)

Når støvbeholderen til aftagning (6) er taget af chassiset (17), skal du dreje filteret/agitatorhjulet 5 - 10 gange for at fjerne store støvmængder fra filteret, hvormed dets ydeevne forbedres.

**Bemærk:** Det anbefales, at du ryster den, når enheden er tom, og forfilteret er fjernet.

**Bemærk:** Maksimal støvopsamling kan kun opnås med rene filtre og tom støvbeholder. Hvis der falder støv ud af produktet, efter det er slukket, betyder det, at støvbeholderen er fuld og skal tømmes.

#### Sådan tømmes støvbeholderen (Fig. I, J)

- ◆ Løft og fjern støvbeholderen til aftagning (6) fra chassiset (17), som vist i figur I.

- ◆ Placer støvbeholderen over en skraldespand, og tryk på udløserknappen til støvbeholderens låg (6a) for at tømme støvbeholderen, som vist i figur J.
- ◆ Luk støvbeholderlåget (7), indtil det "klikker" godt på plads.
- ◆ Installér støvbeholderen til aftagning (6) på chassiset (17) igen.

#### Fjernelse af forfilter (fig. K)

- ◆ Løft og fjern støvbeholderen til aftagning (6) fra chassiset (17), som vist i figur I.
- ◆ Placer støvbeholderen over en skraldespand, og tryk på udløserknappen til støvbeholderens låg (6a) for at tømme støvbeholderen, som vist i figur J.
- ◆ Brug din pegefinger og tommelfinger til at knibe forfilteret (18) og trække forfilteret (18) ud af støvbeholderen (6), som vist på figur K.

**Bemærk:** Filterhuset sidder tæt på støvbeholderen og kan være svært at fjerne først.

- ◆ Tøm støvbeholderen.
- ◆ Installér forfilteret (18) i støvbeholderen (6), mens du sørger for, at støvbeholderens tapper (20) flugter med forfilterhullet (19), som vist på figur K.
- ◆ Installér støvbeholderen på vakuummet, indtil den "klikker" godt på plads.

#### Fjernelse af filter (fig. L)

- ◆ Løft og fjern støvbeholderen til aftagning (6) fra chassiset (17), som vist i figur I.
- ◆ Placer støvbeholderen over en skraldespand, og tryk på udløserknappen til støvbeholderens låg (6a) for at tømme støvbeholderen, som vist i figur J.
- ◆ Tag fat i agitatorhjulhuset (21) og træk for at fjerne.
- ◆ Fjern filteret (22) fra agitatorhjulhuset (21), som vist i figur L.
- ◆ Ryst eller børst let evt. løst støv af filteret.
- ◆ Installér filteret (22) i agitatorhjulhuset (21).
- ◆ Installér agitatorhjulhuset (21) på støvbeholderen, indtil den "klikker" godt på plads position.

#### Rengøring af filtrene

- ◆ Når filteret og forfilteret er fjernet fra støvbeholderen, skal du ryste eller børste evt. løst støv let af forfilteret og filteret.
- ◆ Vask støvbeholderen (6) ren med varmt sæbevand.
- ◆ Vask filtrene med varmt sæbevand.
- ◆ Sørg for, at filtrene er helt tørre (24 timer), inden de indsættes igen.
- ◆ Følg instruktionerne i afsnittene "Fjernelse af forfilter og fjernelse af filter" for monteringsinstruktioner.

**Bemærk:** Maksimal støvopsamling kan kun opnås med rene filtre og tom støvbeholder. Hvis der falder støv ud af produktet, efter det er slukket, betyder det, at støvbeholderen er fuld og skal tømmes, eller at der er en blokering et sted.

- ◆ Vask filtrene regelmæssigt med varmt sæbevand, og sørg for, at det er helt tørt, inden du bruger dem igen. Jo renere filteret er, des bedre præsterer produktet.
- ◆ Det er meget vigtigt, at filtrene er helt tørre og sidder korrekt på plads inden brug.

### Aftagning og rengøring af de roterende børster (fig. M)

**Advarsel!** For at reducere risikoen for personskade fra dele i bevægelse skal batteriet frakobles inden rengøring eller service.

- ◆ For at fjerne rotationsbørsten (23) fra gulvmundstykket (8) skal du trykke på udløserknappen (24), som vist på figur M.
- ◆ Løft rotationsbørsten fra dens låste position.
- ◆ Rotationsbørsten (23) kan nu fjernes.
- ◆ Rengør rotationsbørsten, og geninstaller den. Sørg for, at den er i den låste position inden drift.

### Opbevaring

Enheden kan opbevares sikkert ved hjælp af opladningsstationen (5a), som vist i figur N.

### Vedligeholdelse

Dit Black & Decker-apparat uden ledning er beregnet til at fungere i en længere periode med minimal vedligeholdelse. Vedvarende tilfredsstillende funktion er afhængig af, om apparatet plejes korrekt og rengøres regelmæssigt.

**Advarsel!** Før udførelse af nogen form for vedligeholdelse af apparater uden ledning:

- ◆ Tag batteriet ud.
- ◆ Træk opladeren ud af stikkontakten, før den rengøres. Opladeren kræver ingen vedligeholdelse, men skal rengøres jævnligt.
- ◆ Rengør jævnlige apparatets/laderens ventilationshuller med en blød børste eller en tør klud.
- ◆ Rengør med jævne mellemrum motorhuset med en fugtig klud. Der må ikke bruges skuremidler eller opløsningsmidler.

### Udskiftning af filtrene

Filtrene skal udskiftes hver 6. til 9. måned, og i øvrigt, hvis de bliver slidte eller beskadiget.

Udskiftningsfiltre fås hos BLACK+DECKER-forhandleren.

- ◆ Tag de gamle filtre ud, som beskrevet i det foregående.
- ◆ Sæt de nye filtre i, som beskrevet i det foregående.

### Fejlfinding

Problem	Mulig årsag	Mulig løsning
Enheden vil ikke starte.	Batteriet er ikke opladet.	Kontroller kravene til opladning af batteriet.
	Blokering.	Kontrollér gulvmundstykkerøret.
		Kontrollér forlængerøret.
		Kontrollér mellem forlængerøret og beholder
Tæppebanker holder op med at virke.	Tilstopning.	Enheden er udstyret med en funktion til beskyttelse af tæppebanker mod overbelastning. Fjern og rengør tæppebankeren for al snavs og tilstopninger
Batteriet kan ikke oplades.	Opladeren er ikke tilsluttet.	Slut opladeren til en fungerende stikkontakt. Se Vigtige bemærkninger om opladning for flere detaljer.
	Omgivende lufttemperatur for varm eller for kold	Flyt opladeren og batteripakken til over 4 °C eller under +40 °C.

### Miljøbeskyttelse



Særskilt bortskaffelse. Produkter og batterier mærket med dette symbol må ikke bortskaffes sammen med normalt husholdningsaffald.

Produkter og batterier indeholder materialer, der kan genvindes eller genbruges og således reducere efterspørgslen efter råvarer. Genbrug venligst elektriske produkter og batterier i henhold til lokale bestemmelser. Yderligere informationer findes på [www.2helpU.com](http://www.2helpU.com)

### Tekniske data

	BHFEV182B*	BHFEV182C	BHFEV182CP
Spænding	18	18	18
Watt timer		36	36
Vægt	2.8	3.17	3.23
Batteri		BL2018	BL2018
Oplader	S010**2400040 / SSC-250040**	S010**2400040 / SSC-250040**	S010**2400040 / SSC-250040**
Ladetid ca.		5h	5h

\* BHFEV182B er en bar enhed og kommer ikke med et batteri eller en oplader.

**Garanti**

Black & Decker er overbevist om den gode kvalitet af sine produkter og giver forbrugerne en garanti på 24 måneder fra købsdatoen. Garantien er et tillæg til forbrugerens lovmæssige rettigheder og påvirker ikke disse. Garantien er gyldig inden for medlemsstaterne af Den Europæiske Union og Det Europæiske Frihandelsområde.

Når du gør krav på garantien, skal kravet være i overensstemmelse med Black&Decker vilkår og betingelser, og du skal indsende dokumentation for købet til sælgeren eller til en autoriseret reparatør.

Vilkår og betingelser for Black & Decker 2 års garanti og placeringen af dit nærmeste autoriserede serviceværksted kan fås på internettet på [www.2helpU.com](http://www.2helpU.com), eller ved at kontakte dit lokale Black & Decker kontor på den adresse, der er angivet i denne vejledning.

Besøg venligst vores websted [www.blackanddecker.co.uk](http://www.blackanddecker.co.uk) for at registrere dit nye Black & Decker produkt og modtage opdateringer om nye produkter og specielle tilbud.

**Käyttötarkoitus**

Akkutoimiset BLACK+DECKER BHFEV182B, BHFEV182C, BHFEV182CP 4 in 1 -pölynimurit on tarkoitettu imuroimiseen. Laitteet on tarkoitettu ainoastaan kotitalouskäyttöön.



Lue nämä ohjeet huolellisesti ennen laitteen käyttöä.

**Turvallisuusohjeet**

**Varoitus! Lue kaikki turvallisuusvaroitukset ja ohjeet.** Alla olevien varoitusten ja ohjeiden noudattamisen laiminlyönti saattaa johtaa sähköiskuun, tulipaloon ja/tai vakavaan loukkaantumiseen.

- ◆ Käyttötarkoitus kuvataan näissä ohjeissa.

Muiden kuin ohjeissa suositeltujen lisävarusteiden tai -osien käyttö sekä laitteen käyttö muuhun kuin oppaassa suositeltuun tarkoitukseen voi aiheuttaa henkilövahingon vaaran.

- ◆ Säilytä tämä käyttöohje tulevaa tarvetta varten.

**Laitteen käyttö**

- ◆ Älä käytä laitetta nesteiden tai syttyvien materiaalien keräämiseen.
- ◆ Älä käytä laitetta veden lähellä.
- ◆ Älä upota laitetta veteen.
- ◆ Älä koskaan irrota laturia pistorasiasta vetämällä virtajohdosta. Pidä laturin virtajohto etäällä lämmönlähteistä, öljystä ja terävistä reunoista.
- ◆ Tämä laite soveltuu yli 8-vuotiaiden lasten ja sellaisten henkilöiden käyttöön, joilla on fyysisiä, aistillisia tai henkisiä rajoitteita tai puutteellinen kokemus tai tuntemus, jos heitä valvotaan tai jos he ovat saaneet laitteen turvalliseen käyttöön liittyvää opastusta ja ymmärtävät laitteen käyttöön liittyvät vaarat. Älä anna lasten leikkiä laitteella. Puhdistus- ja huoltotöitä ei saa jättää lapsille ilman valvontaa.

**Tarkastus ja korjaus**

Tarkista ennen laitteen käyttöä, ettei laitteessa ole vahingoittuneita tai viallisia osia. Tarkista osien ja kytkimien kunto sekä muut seikat, jotka voivat vaikuttaa laitteen toimintaan.

- ◆ Älä käytä laitetta, jos jokin osa on vahingoittunut tai viallinen.

- ◆ Korjauta tai vaihdata vaurioituneet tai vialliset osat valtuutetussa huoltoliikkeessä.
- ◆ Tarkista säännöllisesti, ettei laturin virtajohto ole vahingoittunut. Vaihda laturi, jos virtajohto on vahingoittunut tai viallinen.
- ◆ Älä yritä korjata tai vaihtaa muita kuin tässä käyttöohjeessa erikseen määriteltyjä osia.

## Lisäturvaohjeet

### Käytön jälkeen

- ◆ Irrota laturi pistorasiasta ennen laturin tai lataustelineen puhdistamista.
- ◆ Kun laitetta ei käytetä, se on säilytettävä kuivassa paikassa.
- ◆ Pidä laite lasten ulottumattomissa.

### Jäännösriskit

Myös muut kuin turvavaroituksissa mainitut riskit ovat mahdollisia laitetta käytettäessä. Nämä riskit voivat liittyä muun muassa virheelliseen tai pitkäaikaiseen käyttöön.

Tiettyjä jäännösriskejä ei voi välttää, vaikka noudatat kaikkia turvamääräyksiä ja käytät turvalaitteita. Näitä ovat:

- ◆ Pyörivien tai liikkuvien osien koskettamisen aiheuttamat vahingot.
- ◆ Osia, teriä tai lisävarusteita vaihdettaessa aiheutuneet vahingot.
- ◆ Työkalun pitkäaikaisen käytön aiheuttamat vahingot. Varmista, että pidät säännöllisesti taukoja laitteen pitkäaikaisen käytön aikana.
- ◆ Kuulon heikkeneminen.

- ◆ Laitetta käytettäessä (esimerkiksi puuta, erityisesti tammea, pyökkiä ja MDF-levyjä, käsiteltäessä) syntyneen pölyn sisäänhengityksen aiheuttamat terveysriskit).

### Laturit

Laturi on tarkoitettu tietyille jännitteelle. Tarkista aina, että verkkojännite vastaa arvokilvessä ilmoitettua jännitettä.

**Varoitus!** Älä yritä vaihtaa laturiin tavallista verkkovirran pistoketta.

- ◆ Käytä BLACK+DECKER-laturia vain laitteen mukana toimitetun akun lataamiseen. Muut akut voivat räjähtää ja aiheuttaa henkilövahinkoja tai aineellisia vahinkoja.
- ◆ Älä koskaan yritä ladata akkuja, joita ei ole tarkoitettu ladattaviksi.
- ◆ Jos virtajohto vahingoittuu, sen vaihtaminen on turvallisuussyistä jätettävä valmistajan tai valtuutetun BLACK+DECKER-huollon tehtäväksi.
- ◆ Suojaa laturi vedeltä.
- ◆ Älä avaa laturia.
- ◆ Älä työnnä mitään laturin sisään.
- ◆ Lataa laite/akku vain hyvin tuuletetussa paikassa.

## Sähköturvallisuus

### Laturin symbolit



Lue nämä ohjeet huolellisesti ennen laitteen käyttöä.



Tämä laite on kaksoiseristetty, joten erillistä maadoitusta ei tarvita. Tarkista aina, että verkkovirran jännite vastaa tyyppikilpeen merkittyä jännitettä.



Laturi on tarkoitettu ainoastaan sisäkäyttöön.

**Laitteessa olevat merkinnät**

Laitteeseen on merkitty päivämääräkoodi sekä seuraavat symbolit:



Lue tämä käyttöopas huolellisesti ennen laitteen käyttöä



BHFEV182B, BHFEV182C, BHFEV182CP  
käytä laturia S010\*\*2400040 /  
SSC-250040\*\*

**Yleiskuvaus**

Tässä laitteessa on joitakin tai kaikki seuraavista ominaisuuksista.

1. Virtakytkin
2. 3-tilainen virtakytkin
- 2a. Harjarullan aktiivointipainike
3. Varaustilan merkkivalo
- 3a. Suodattimen merkkivalo
4. 18 V akku (sisältyy malleihin BHFEV182C, BHFEV182CP)
5. 18 V kuppilaturi ja latausasema (sisältyy malleihin BHFEV182C, BHFEV182CP)
6. Nostettava pölysäiliö suodatintäryttimellä
7. Pölysäiliön luukku
8. Imupää
9. Jatkoputki
10. 2 in 1 -lisävaruste (tilattavissa huoltopalvelusta)
11. Rakosuulake (sisältyy malleihin BHFEV182B, BHFEV182C, BHFEV182CP)
12. Lisävarusteen säilytyskotelon pidike
13. Karvanpoistosuulake (sisältyy malleihin BHFEV182CP)
14. Leveääukkoinen pölyharja (tilattavissa huoltopalvelusta)
15. Latausportti

**Akun lataaminen**

BLACK+DECKER-laturit on tarkoitettu

BLACK+DECKER-akkujen lataamiseen.

**Huomautus:** Litiumioniakkujen maksimaalisen suorituskyvyn varmistamiseen:

- ◆ Lataa akku täyteen ennen ensimmäistä käyttökertaa.
- ◆ Lataa purkautuneet akut mahdollisimman pian jokaisen käyttökerran jälkeen.
- ◆ Vältä akkujen purkautumista tyhjiksi.

Pakkaukseen kuuluva laturi tarjoaa kolmea tapaa akun lataamiseen.

1. Tavallinen lataus kuppilaturissa
2. Lataus seinään asennetussa kuppilaturissa
3. Lataus seinässä riippuvassa laturissa

**1. Tavallinen lataus kuppilaturissa (kuva A)**

- ◆ Yhdistä laturi (5) sopivaan pistorasiaan ennen kuin laitat siihen akun (4).
- ◆ Aseta akku kuppilaturiin.

- ◆ Kuppilaturia käytettäessä vihreä LED-merkkivalo vilkkuu käynnissä olevan latauksen merkiksi.
- ◆ Kun lataus on valmis, vihreä LED-valo jää palamaan jatkuvasti. Akku on täysin ladattu ja sitä voidaan käyttää heti tai sen voi jättää laturiin.
- ◆ Kuppilaturi voidaan sijoittaa latausasemaan (5a) kuvan A mukaisesti.

**2. Lataus seinään asennetussa laturissa**

- ◆ Merkitse latausaseman (5a) ruuvireikien kohdat seinään (oltava pistorasian lähellä), jotta imuria voidaan ladata sen ollessa latausasemassa.
- ◆ Kiinnitä latausasema (5a) seinään käyttämällä seinän tyyppin ja laitteen painon mukaisia ruuveja ja asennustulppia.
- ◆ Asenna kuppilaturi (5) latausasemaan (5a). Varmista, että se lukittuu paikoilleen ennen jatkamista.

**Huomautus:** Kuppilaturi voidaan poistaa latausasemasta vetämällä kiinnityskielekkeet pois ja nostamalla laturi pois.

- ◆ Kytke laturi sopivaan pistorasiaan ennen kuin laitat siihen akun.
- ◆ Liu'uta akku latausasemaan.

**3. Seinään asennettu imurin säilytys- ja akun latausteline**

Laite voidaan kiinnittää seinään laitteen kätevää säilytystä ja latausta varten. Varmista seinäkiinnityksessä, että kiinnitystapa on seinätyyppiin ja laitteen painoon nähden sopiva.

- ◆ Merkitse latausaseman ruuvireikien kohdat seinään (oltava pistorasian lähellä), jotta imuria voidaan ladata sen ollessa latausasemassa.
- ◆ Kiinnitä latausasema seinään käyttämällä seinän tyyppin ja laitteen painon mukaisia ruuveja ja asennustulppia.
- ◆ Asenna kuppilaturi latausasemaan. Varmista, että se lukittuu paikoilleen ennen jatkamista.

**Huomautus:** Irrota kuppilaturi latausasemasta vetämällä kiinnityskielekkeet pois ja nostamalla kuppilaturi pois.

- ◆ Liitä laturi sopivaan pistorasiaan.
- ◆ Kun akku on asennettu imuriin, liu'uta imurin alaosaan oleva latausportti (15) latausaseman (5a) kiskoihin.
- ◆ Imurin valkoinen LED-merkkivalo (3) vilkkuu käynnissä olevan latauksen merkiksi.
- ◆ LED-valon osiot syttyvät akun lataustason kasvaessa - LED-valot sammuvat, kun akku on ladattu täyteen. Akku on täysin ladattu ja sitä voidaan käyttää heti tai sen voi jättää laturiin.

**Akun jättäminen laturiin**

Akku voidaan jättää laturiin, kun vihreä merkkivalo palaa. Laturi pitää akun käyttövalmiina ja ladattuna.

**Akun asentaminen (kuva B)**

- ◆ Aseta akku (4) tiukasti kiinni työkaluun, kunnes kuulet napsahduksen kuvan B mukaisesti.
- ◆ Varmista, että akku on kokonaan paikoillaan ja lukittu paikoilleen.

**Akun poistaminen**

- ◆ Paina akun vapautuspainiketta ja vedä akku (4) irti työkalusta.

**Kokoaminen (kuva C)**

- ◆ Kohdista jatkoputken (9) yläosa imuaukkoon (16) kuvan C mukaisesti.
- ◆ Paina jatkoputki (9) imuaukkoon (16) niin, että se lukittuu paikoilleen.
- ◆ Kohdista jatkoputken (9) alaosa imupäähän (8) kuvan C mukaisesti.
- ◆ Paina jatkoputken (9) alaosa imupäähän (8) niin, että se lukittuu paikoilleen.
- ◆ Poista lisävaruste painamalla lisävarusteen vapautinta lisävarusteessa ja vedä se irti.

**KÄYTTÖ**

Tätä imuria voidaan käyttää neljälle eri tavalla.

- ◆ Jatkoputkella (9) ja lattiaharjalla (8) kuvan C mukaisesti.
- ◆ Lattiaharjalla (8) ja imuaukolla (16) kuvan D mukaisesti.
- ◆ Jatkoputkella (9) ja lisävarusteella (10), (11), (13) tai (14) kuvan E mukaisesti.
- ◆ Lisävarusteella (10), (11), (13) tai (14) ja imuaukolla (16) kuvan E mukaisesti.
- ◆ Pakkauksen varusteista poikkeavia lisävarusteita on saatavilla huoltopalveluista.

**Käynnistäminen ja sammuttaminen (kuva F)**

- ◆ Käynnistä laite painamalla virtakytkintä (1).
- ◆ Lisää tehoa liu'uttamalla säätökytkintä (2) eteenpäin.

**Huomautus:** Lattiaharja (8) käynnistyy, kun se liitetään imuriin tai jatkoputkeen (se voidaan sammuttaa painamalla näytön painiketta 2a). Imupään etuosassa olevat LED-valot syttyvät, kun harjarullan aktivointipainike (2a) kytketään päälle (voidaan sammuttaa painamalla painiketta uudelleen).

**Huomautus:** Varaustilan LED-merkkivalot (3) syttyvät imurin ollessa päällä tai latauksen aikana.

- ◆ Sammuta laite painamalla virtakytkintä (1).
- ◆ Palauta laite laturiin heti käytön jälkeen, jotta se on valmis ja täyteen ladattu seuraavan käyttökerran yhteydessä. Varmista, että laite on kytketty kokonaan laturin pistokeeseen.

**Lisävarusteen käyttäminen (kuva G)**

Imurissa voi olla joitakin seuraavista varusteista.

- ◆ 2 in 1 -lisävaruste (10)
- ◆ Rakosuulake (11).
- ◆ Karvanpoistosuulake (13).
- ◆ Leveäaukkoinen pölyharja (14).

- ◆ Lisävaruste (10), (11), (13) tai (14) voidaan asentaa suoraan jatkoputkeen (6) tai imuaukkoon (5) kuvan J mukaisesti.
- ◆ Kohdista lisävarusteen (10), (11), (13) tai (14) yläosa imuaukkoon (16) tai jatkoputken liitäntään (9a) ja paina se paikoilleen, kunnes se lukittuu kuvan G mukaisesti.

	BHPFV 182B	BHPFV 182C	BHPFV 182CP
10 2 in 1 Accessory			
11 Crevice tool	✓	✓	✓
12 Accessory storage clip	✓	✓	✓
13 Pet hair tool			✓
14 Wide mouth dust brush			

- ◆ Kaikki varusteet ovat saatavilla huoltopalvelusta

**Imurin puhdistaminen ja tyhjentäminen****Suodattimen merkkivalo**

Kun suodatim on tukossa ja sen puhdistus on tarpeen, rungossa oleva punainen täytön LED-merkkivalo (3) syttyy.

**Suodatintärytin (kuva H)**

Kun irrotettava pölysäiliö (6) on irrotettu rungosta (17), kierrä suodatintäryttimeen pyörää 5 - 10 kertaa liiallisen pölyn poistamiseksi ja suorituskyvyn parantamiseksi.

**Huomautus:** Tärytys on suositeltavaa suorittaa laitteen tyhjentämisen yhteydessä esisuodattimen ollessa irti.

**Huomautus:** Maksimaalinen pölynkeräysteho saavutetaan vain, kun suodattimet ovat puhtaat ja pölysäiliö tyhjä. Jos pölyä tulee sammuttamisen jälkeen ulos laitteesta, pölysäiliö on täynnä ja se on tyhjennettävä.

**Pölysäiliön tyhjentäminen (kuvat I, J)**

- ◆ Nosta ja irrota irrotettava pölysäiliö (6) rungosta (17) kuvan I mukaisesti.
- ◆ Aseta pölysäiliö roska-astian päälle ja paina pölysäiliön kannen vapautuspainiketta (6a) pölysäiliön tyhjentämiseksi kuvan J mukaisesti.
- ◆ Sulje pölysäiliön kansi (7), kunnes se napsahtaa paikoilleen.
- ◆ Asenna irrotettava pölysäiliö (6) takaisin runkoon (17).

**Esisuodattimen poistaminen (kuva K)**

- ◆ Nosta ja irrota irrotettava pölysäiliö (6) rungosta (17) kuvan I mukaisesti.
- ◆ Aseta pölysäiliö roska-astian päälle ja paina pölysäiliön kannen vapautuspainiketta (6a) pölysäiliön tyhjentämiseksi kuvan J mukaisesti.
- ◆ Purista esisuodatinta (18) etusormella ja peukalolla, vedä esisuodatinta (18) irti pölysäiliöstä (6) kuvan K mukaisesti.

**Huomautus:** Suodatinkotelo asettuu tiiviisti pölysäiliöön ja sen poistaminen voi olla aluksi vaikeaa.

- ◆ Tyhjennä pölysäiliö.

- ◆ Asenna esisuodatin (18) pölysäiliöön (6) varmistaen, että pölysäiliön kieleke (20) kohdistuu esisuodattimen syvennykseen (19) kuvan K mukaisesti.
- ◆ Asenna pölysäiliö imuriin, kunnes se napsahtaa hyvin paikoilleen.

### Suodattimen poistaminen (kuva L)

- ◆ Nosta ja irrota irrotettava pölysäiliö (6) rungosta (17) kuvan I mukaisesti.
- ◆ Aseta pölysäiliö roska-astian päälle ja paina pölysäiliön kannen vapautuspainiketta (6a) pölysäiliön tyhjentämiseksi kuvan J mukaisesti.
- ◆ Tartu täryttimeen pyöräkoteloon (21) ja irrota se vetämällä ylös.
- ◆ Irrota suodatin (22) täryttimeen pyöräkotelosta (21) kuvan L mukaisesti.
- ◆ Ravista tai harjaa kevyesti mahdollinen pöly pois suodattimesta.
- ◆ Asenna suodatin (22) täryttimeen pyöräkoteloon (21).
- ◆ Asenna täryttimeen pyöräkotelon (21) pölysäiliöön, kunnes se napsahtaa hyvin paikoilleen.

### Suodattimien puhdistaminen

- ◆ Kun suodatin ja esisuodatin on irrotettu pölysäiliöstä, ravista tai harjaa kevyesti mahdollinen pöly pois esisuodattimesta ja suodattimesta.
- ◆ Huuhtelee pölysäiliö (6) lämpimällä saippuavedellä.
- ◆ Pese suodattimet lämpimällä saippuavedellä.
- ◆ Varmista, että suodattimet ovat kokonaan kuivia (24 h) ennen kuin asennat ne takaisin paikoilleen.
- ◆ Noudata kohdan "Esisuodattimen ja suodattimen poistaminen" asennusohjeita.

**Huomautus:** Maksimaalinen pölynkeräysteho saavutetaan vain, kun suodattimet ovat puhtaat ja pölysäiliö tyhjä. Jos pölyä tulee sammuttamisen jälkeen ulos laitteesta, pölysäiliö on täynnä ja se on tyhjennettävä tai järjestelmässä on tukos.

- ◆ Pese suodattimet säännöllisesti lämpimällä saippuavedellä. Varmista, että ne ovat kokonaan kuivia ennen uudeen käyttöä. Mitä puhtaampi suodatin on, sitä parempi on laitteen teho.
- ◆ Suodattimien on oltava kuivia ja ne on tärkeää asettaa oikein paikoilleen ennen käyttöä.

### Pyörivien harjojen irrottaminen ja puhdistaminen (kuva M)

**Varoitus!** Jotta liikkuvat osat eivät aiheuttaisi henkilövahinkoja, irrota akku imurista ennen puhdistusta tai huoltoa.

- ◆ Irrota pyörivä harja (23) imupäästä (8) painamalla vapautuspainiketta (24) kuvan M mukaisesti.
- ◆ Nosta pyörivä harja sen lukitusta asennosta.
- ◆ Pyörivä harja (23) voidaan nyt irrottaa.
- ◆ Puhdista pyörivä harja ja asenna se uudelleen paikoilleen. Varmista, että se on lukittunut paikoilleen ennen käyttöä.

### Säilytys

Laitetta voidaan säilyttää turvallisesti latausasemassa (5a) kuvan N mukaisesti.

### Huolto

BLACK+DECKERin johdoton laite on suunniteltu toimimaan mahdollisimman pitkän aikaa mahdollisimman vähällä huollolla. Oikea käsittely ja säännöllinen puhdistus varmistavat laitteen ongelmattoman toiminnan.

**Varoitus!** Toimi ennen johdottomien laitteiden huoltoa seuraavasti:

- ◆ Poista akku.
- ◆ Irrota laturi pistorasiasista ennen laturin puhdistamista. Laturi ei tarvitse säännöllisen puhdistamisen lisäksi mitään muuta huoltoa.
- ◆ Puhdista laitteen/laturin ilma-aukot säännöllisesti pehmeällä harjalla tai kuivalla kangasliinalla.
- ◆ Puhdista moottorin kotelo säännöllisesti kostealla liinalla. Älä käytä hankaavia tai liuotinpohjaisia puhdistusaineita.

### Suodattimien vaihtaminen

Suodattimet on hyvä vaihtaa 6–9 kuukauden välein ja aina, kun ne ovat kuluneet tai vahingoittuneet.

Vaihtosuodattimia saat BLACK+DECKER-jälleenmyyjältä.

- ◆ Poista vanhat suodattimet yllä kuvatulla tavalla.
- ◆ Aseta uudet suodattimet paikalleen yllä kuvatulla tavalla.

### Vianmääritys

Ongelma	Mahdollinen syy	Mahdollinen ratkaisu
Laitte ei käynnisty.	Akku ei ole latautunut.	Tarkista akun latausvaatimukset.
	Tukos.	Tarkista imupään putki.
		Tarkista jatkoputki.
Harjarulla lakkaa toimimasta.	Este.	Tarkista jatkoputki ja astia.
		Laitteessa on harjarullan ylikuormitusuoja. Puhdista harjarulla kaikista jäämistä ja esteistä.
Akku ei lataudu.	Laturia ei ole kytketty pistorasiaan.	Kytke laturi pistorasiaan. Katso lisätietoa osiosta "Tärkeitä huomautuksia lataamiseen".
	Ympäristölämpötila on liian korkea tai liian alhainen	Siirrä laturi ja akku ympäristöön, jonka lämpötila on yli 4 °C ja alle +40 °C.

### Ympäristönsuojelu



Toimita tämä laite erilliskeräykseen. Tällä symbolilla merkityt tuotteet ja akkuja ei saa hävittää tavallisen kotitalousjätteen mukana.

Tuotteissa ja akuissa on materiaaleja, jotka voidaan ottaa talteen tai kierrättää uudelleen käyttöä varten. Kierrätä sähkölaitteet ja akut paikallisten määräyksien mukaan. Lisätietoa on saatavilla osoitteessa [www.2helpU.com](http://www.2helpU.com)

#### Tekniset tiedot

	BHFEV182B*	BHFEV182C	BHFEV182CP
Jännite	18	18	18
Wattituntia		36	36
Paino	2,8	3,17	3,23
Akku		BL2018	BL2018
Laturi	S010**2400040 / SSC-250040**	S010**2400040 / SSC-250040**	S010**2400040 / SSC-250040**
Arvioitu latausaika		5h	5h

\* BHFEV182B on pelkkä laite, se ei sisällä akkua tai laturia.

#### Takuu

Black & Decker on vakuuttanut tuotteidensa korkeasta laadusta ja tarjoaa kuluttajille 24 kuukauden takuun, joka astuu voimaan ostopäivänä. Takuu on lisäys kuluttajan laillisiin oikeuksiin eikä vaikuta niihin. Tämä takuu on voimassa kaikissa EU- ja ETA-maissa.

Edellytyksenä takuun saamiselle on, että vaade täyttää Black & Deckerin ehdot ja että ostaja toimittaa ostositteen jälleenmyyjälle tai valtuutetulle huoltoilikeelle.

Black & Deckerin kahden vuoden takuun ehdot ja lähimmän valtuutetun korjauspalvelun yhteystiedot ovat saatavilla osoitteessa [www.2helpU.com](http://www.2helpU.com) tai ottamalla yhteyttä paikalliseen Black & Deckerin toimipisteeseen tässä ohjekirjassa ilmoitettuihin osoitteisiin.

Käy verkkosivuiltamme osoitteessa [www.blackanddecker.fi](http://www.blackanddecker.fi) ja rekisteröi uusi Black & Decker -tuotteesi saadaksesi tietoa uusista tuotteista ja erikoistarjouksista.

#### Προβλεπόμενη χρήση

Οι ηλεκτρικές σκούπες μπαταρίας BLACK+DECKER BHFEV182B, BHFEV182C, BHFEV182CP 4 σε 1 έχουν σχεδιαστεί για ηλεκτρικό σκούπισμα. Αυτές οι συσκευές προορίζονται μόνο για οικιακή χρήση.



Διαβάστε προσεκτικά όλο το περιεχόμενο αυτού του εγχειριδίου πριν χρησιμοποιήσετε τη συσκευή.

## Οδηγίες ασφαλείας



**Προειδοποίηση! Διαβάστε όλες τις προειδοποιήσεις ασφαλείας και όλες τις οδηγίες.** Η μη τήρηση των παρακάτω προειδοποιήσεων και οδηγιών μπορεί να προκαλέσει ηλεκτροπληξία, πυρκαγιά και/ή σοβαρές σωματικές βλάβες.

- Η προβλεπόμενη χρήση περιγράφεται στο παρόν εγχειρίδιο. Τόσο η χρήση αξεσουάρ ή προσαρτημάτων, όσο και η πραγματοποίηση με αυτή τη συσκευή οποιασδήποτε εργασίας, πέραν αυτών που συνιστώνται στο παρόν εγχειρίδιο οδηγιών, μπορεί να εγκυμονεί κίνδυνο σωματικών βλαβών.
- Φυλάξτε αυτό το εγχειρίδιο για μελλοντική αναφορά.

### Χρήση της συσκευής

- Μη χρησιμοποιείτε τη συσκευή για να περισυλλέξετε υγρά ή άλλα υλικά που θα μπορούσαν να πιάσουν φωτιά.
- Μη χρησιμοποιείτε τη συσκευή κοντά σε νερό.
- Μη βυθίζετε τη συσκευή σε νερό.
- Ποτέ μην αποσυνδέετε το φορτιστή από την πρίζα τραβώντας τον από το καλώδιο. Διατηρείτε το καλώδιο φορτιστή σε απόσταση από πηγές θερμότητας, λάδια και κοφτερές αιχμές.
- Αυτή η συσκευή μπορεί να χρησιμοποιηθεί από παιδιά ηλικίας 8 ετών και άνω καθώς και από

άτομα με μειωμένες σωματικές, αισθητηριακές ή διανοητικές ικανότητες ή άτομα χωρίς εμπειρία και γνώσεις, μόνο εφόσον τα άτομα αυτά επιτηρούνται ή τους έχουν δοθεί οδηγίες σχετικά με την ασφαλή χρήση της συσκευής και έχουν κατανοήσει τους πιθανούς κινδύνους. Τα παιδιά δεν πρέπει να παίζουν με τη συσκευή. Ο καθαρισμός και η συντήρηση από το χρήστη δεν πρέπει να γίνονται από παιδιά χωρίς επίβλεψη.

### Έλεγχος και επισκευές

Πριν από τη χρήση, ελέγξτε τη συσκευή σας για τυχόν εξαρτήματα που παρουσιάζουν ζημιά ή βλάβη. Ελέγξτε αν υπάρχουν σπασμένα εξαρτήματα, ζημιά σε διακόπτες και οτιδήποτε άλλο μπορεί να επηρεάσει τη λειτουργία της.

- ♦ Μη χρησιμοποιήσετε τη συσκευή αν οποιοδήποτε εξάρτημά της έχει υποστεί ζημιά ή βλάβη.
- ♦ Φροντίζετε η επισκευή ή αντικατάσταση των εξαρτημάτων που τυχόν έχουν υποστεί ζημιά ή βλάβη να γίνεται από εξουσιοδοτημένο αντιπρόσωπο επισκευών.
- ♦ Να ελέγχετε τακτικά την κατάσταση του καλωδίου του φορτιστή. Σε περίπτωση που το καλώδιο του φορτιστή παρουσιάζει ζημιά ή ελάττωμα, αντικαταστήστε το φορτιστή.
- ♦ Μην επιχειρήσετε ποτέ να αφαιρέσετε ή να αντικαταστήσετε οποιοδήποτε εξάρτημα, εκτός από αυτά που καθορίζονται στο παρόν εγχειρίδιο.

### Πρόσθετες οδηγίες ασφαλείας

#### Μετά τη χρήση

- ♦ Πριν καθαρίσετε τον φορτιστή ή τη βάση φόρτισης αποσυνδέστε τον/την από την πρίζα.
- ♦ Όταν η συσκευή δεν χρησιμοποιείται, πρέπει να φυλάσσεται σε ξηρό χώρο.
- ♦ Τα παιδιά δεν πρέπει να έχουν πρόσβαση σε αποθηκευμένες συσκευές.

#### Υπολειπόμενοι κίνδυνοι

Κατά τη χρήση του εργαλείου μπορεί να δημιουργηθούν πρόσθετοι υπολειπόμενοι κίνδυνοι, οι οποίοι ενδέχεται να μη συμπεριλαμβάνονται στις προειδοποιήσεις ασφαλείας που εσωκλείονται. Αυτοί οι κίνδυνοι μπορεί να προκληθούν από κακή χρήση, παρατεταμένη χρήση κλπ.

Παρά την εφαρμογή των σχετικών κανονισμών ασφαλείας και τη χρήση διατάξεων ασφαλείας, ορισμένοι υπολειπόμενοι κίνδυνοι δεν είναι δυνατό να αποφευχθούν. Σε αυτούς περιλαμβάνονται:

- ♦ Τραυματισμοί από επαφή με οποιαδήποτε περιστρεφόμενα/κινούμενα μέρη.
- ♦ Τραυματισμοί κατά την αλλαγή οποιωνδήποτε εξαρτημάτων, λεπίδων ή αξεσουάρ.
- ♦ Σωματικές βλάβες από παρατεταμένη χρήση εργαλείου. Όταν χρησιμοποιείτε οποιοδήποτε εργαλείο για παρατεταμένα χρονικά διαστήματα, μην παραλείπετε με

κανένα τρόπο να κάνετε τακτικά διαλείμματα.

- ♦ Βλάβη της ακοής.
- ♦ Κίνδυνοι στην υγεία που προκαλούνται από την εισπνοή σκόνης όταν χρησιμοποιείτε το εργαλείο (παραδείγματα:- όταν επεξεργάζεστε ξύλο, ειδικά δρυ, οξιά και MDF).

## Φορτιστές

Ο φορτιστής σας είναι σχεδιασμένος για συγκεκριμένη ηλεκτρική τάση.

Ελέγχετε πάντα ότι η τάση ρεύματος δικτύου συμφωνεί με αυτήν που αναγράφεται στην πινακίδα τεχνικών χαρακτηριστικών.

**Προειδοποίηση!** Ποτέ μην επιχειρήσετε να αντικαταστήσετε τη μονάδα φορτιστή με κανονικό φως ρεύματος δικτύου.

- ♦ Ο φορτιστής BLACK+DECKER πρέπει να χρησιμοποιείται αποκλειστικά και μόνο για τη φόρτιση της μπαταρίας της συσκευής που συνόδευε. Άλλες μπαταρίες ενδέχεται να εκραγούν, προκαλώντας τραυματισμό ατόμων και ζημιές.
- ♦ Μην επιχειρήσετε ποτέ να φορτίσετε μη επαναφορτιζόμενες μπαταρίες.
- ♦ Αν το καλώδιο ρεύματος έχει υποστεί ζημιά, η αντικατάστασή του πρέπει να γίνει από τον κατασκευαστή ή από ένα εξουσιοδοτημένο κέντρο επισκευών της BLACK+DECKER, ώστε να μην αποτελέσει κίνδυνο.
- ♦ Μην εκθέτετε τον φορτιστή σε νερό.
- ♦ Μην ανοίξετε τον φορτιστή.

- ♦ Μην εισάγετε οποιαδήποτε αντικείμενα μέσα στο φορτιστή.
- ♦ Κατά τη φόρτιση, η συσκευή/μπαταρία πρέπει να έχει τοποθετηθεί σε επαρκώς αεριζόμενο χώρο.

## Ασφαλής χρήση ηλεκτρικού ρεύματος

### Σύμβολα επάνω στο φορτιστή



Πριν χρησιμοποιήσετε τη συσκευή διαβάστε προσεκτικά ολόκληρο το εγχειρίδιο.



Αυτό το εργαλείο φέρει διπλή μόνωση και επομένως δεν απαιτείται καλώδιο γείωσης. Ελέγχετε πάντα ότι η παροχή ρεύματος αντιστοιχεί στην τάση που αναφέρεται στην πινακίδα στοιχείων.



Η βάση φόρτισης προορίζεται για χρήση μόνο σε εσωτερικούς χώρους.

### Ετικέτες πάνω στη συσκευή

Αυτή η συσκευή φέρει τα παρακάτω προειδοποιητικά σύμβολα μαζί με τον κωδικό ημερομηνίας



Πριν χρησιμοποιήσετε τη συσκευή διαβάστε προσεκτικά ολόκληρο το εγχειρίδιο



BHFEV182B, BHFEV182C, BHFEV182CP  
χρησιμοποιείτε φορτιστή S010\*\*2400040 / SSC-250040\*\*

### Χαρακτηριστικά

Αυτό το εργαλείο διαθέτει μερικά από ή όλα τα παρακάτω χαρακτηριστικά.

1. Κουμπί On/Off (ενεργοποίησης/απενεργοποίησης)
2. Διακόπτης ισχύος 3 ταχυτήτων
- 2a. Κουμπί ενεργοποίησης περιστροφικής βούρτσας
3. Ένδειξη κατάστασης φόρτισης
- 3a. Αισθητήρας φίλτρου
4. Μπαταρία 18 V (διατίθεται με μονάδες BHFEV182C, BHFEV182CP)
5. Φορτιστής 18V τύπου κυπέλλου και σταθμός φόρτισης (διατίθενται με μονάδες BHFEV182C, BHFEV182CP)
6. Δοχείο συλλογής σκόνης αφαιρούμενο με ανύψωση, με αναδευτήρα φίλτρου
7. Θυρίδα δοχείου συλλογής σκόνης
8. Κεφαλή δαπέδου
9. Σωλήνας επέκτασης
10. Εργαλείο αξεσουάρ 2 σε 1 (διατίθεται για παραγγελία μέσω του τμήματος σέρβις)

11. Εργαλείο σχισμών (διατίθεται με μονάδες BHFEV182B, BHFEV182C, BHFEV182CP)
12. Κλιπ φύλαξης αξεσουάρ
13. Εργαλείο για τρίχες κατοικιδίων (διατίθεται με μονάδες BHFEV182CP)
14. Βούρτσα σκόνης με ευρύ στόμιο (διατίθεται για παραγγελία μέσω του τμήματος σέρβις)
15. Θύρα φόρτισης

### Φόρτιση μιας μπαταρίας

Οι φορτιστές BLACK+DECKER έχουν σχεδιαστεί να φορτίζουν πακέτα μπαταρίας BLACK+DECKER.

**Σημείωση:** Για να διασφαλίσετε τη μέγιστη απόδοση και διάρκεια ζωής των πακέτων μπαταρίας ιόντων λιθίου:

- ◆ Φορτίστε πλήρως το πακέτο μπαταρίας πριν την πρώτη χρήση.
- ◆ Επαναφορτίστε τις αποφορτισμένες μπαταρίες όσο το δυνατόν συντομότερα μετά τη χρήση.
- ◆ Μην αποφορτίζετε τελείως τις μπαταρίες.

Ο παρεχόμενος φορτιστής προσφέρει τρεις πιθανούς τρόπους για να φορτίσετε την μπαταρία σας.

1. Στάνταρ φόρτιση με μονάδα κυπέλλου μόνο
2. Φόρτιση με μονάδα κυπέλλου στερεωμένη στον τοίχο
3. Φόρτιση με ανάρτηση σε βάση τοίχου

#### 1. Στάνταρ φόρτιση με μονάδα κυπέλλου (Εικ. Α)

- ◆ Συνδέστε τον φορτιστή (5) σε κατάλληλη πρίζα πριν εισάγετε το πακέτο μπαταρίας (4).
- ◆ Εισάγετε το πακέτο μπαταρίας στον φορτιστή τύπου κυπέλλου.
- ◆ Όταν χρησιμοποιείτε τον φορτιστή τύπου κυπέλλου, θα αναβοσβήνει μια πράσινη LED που υποδεικνύει ότι η μπαταρία φορτίζεται.
- ◆ Η ολοκλήρωση της φόρτισης υποδεικνύεται από το γεγονός ότι η πράσινη LED παραμένει μόνιμα αναμμένη. Το πακέτο μπαταρίας είναι πλήρως φορτισμένο και μπορεί να χρησιμοποιηθεί άμεσα ή να παραμείνει στο φορτιστή.
- ◆ Ο φορτιστής τύπου κυπέλλου μπορεί να εισαχθεί στον σταθμό φόρτισης (5a) όπως δείχνει η Εικόνα Α.

#### 2. Φόρτιση μπαταρίας με μονάδα στερεωμένη στον τοίχο

- ◆ Σημαδέψτε στον τοίχο τη θέση των οπών για τις βίδες του σταθμού φόρτισης (5a) (σε θέση κοντά σε πρίζα για φόρτιση της σκούπας ενώ βρίσκεται πάνω στον σταθμό φόρτισης).
- ◆ Στερεώστε τον σταθμό φόρτισης (5a) στον τοίχο χρησιμοποιώντας κατάλληλες βίδες και βύσματα για τον τύπο του τοίχου και το βάρος της συσκευής.
- ◆ Εγκαταστήστε τον φορτιστή τύπου κυπέλλου (5) μέσα στον σταθμό φόρτισης (5a). Βεβαιωθείτε ότι έχει ασφαλίσει στη θέση του πριν προχωρήσετε.

**Σημείωση:** Για να αφαιρέσετε τον φορτιστή τύπου κυπέλλου από τη βάση φόρτισης, τραβήξτε προς τα έξω τις προεξοχές συγκράτησης και ανυψώστε και αφαιρέστε τον φορτιστή τύπου κυπέλλου.

- ◆ Συνδέστε τον φορτιστή σε κατάλληλη πρίζα πριν εισάγετε το πακέτο μπαταρίας.
- ◆ Τοποθετήστε το πακέτο μπαταρίας πάνω στον σταθμό φόρτισης.

#### 3. Φύλαξη της σκούπας και φόρτιση της μπαταρίας σε βάση τοίχου

Η συσκευή μπορεί να στερεωθεί σε βάση τοίχου ώστε να παρέχεται δυνατότητα εύκολης φύλαξης αλλά και ένα σημείο φόρτισης για τη συσκευή. Όταν στερεώνετε τη συσκευή στον τοίχο, να βεβαιώνετε ότι η μέθοδος στερέωσης είναι κατάλληλη για τον τύπο του τοίχου και το βάρος της συσκευής.

- ◆ Σημαδέψτε στον τοίχο τη θέση των οπών για τις βίδες του σταθμού φόρτισης (σε θέση κοντά σε πρίζα για φόρτιση της σκούπας ενώ βρίσκεται πάνω στον σταθμό φόρτισης).
- ◆ Στερεώστε τον σταθμό φόρτισης στον τοίχο χρησιμοποιώντας κατάλληλες βίδες και βύσματα για τον τύπο του τοίχου και το βάρος της συσκευής.
- ◆ Εγκαταστήστε τον φορτιστή τύπου κυπέλλου μέσα στον σταθμό φόρτισης. Βεβαιωθείτε ότι έχει ασφαλίσει στη θέση του πριν προχωρήσετε.

**Σημείωση:** Για να αφαιρέσετε τον φορτιστή τύπου κυπέλλου από τη βάση φόρτισης, τραβήξτε προς τα έξω τις προεξοχές συγκράτησης και ανυψώστε και αφαιρέστε τον φορτιστή τύπου κυπέλλου.

- ◆ Συνδέστε τον φορτιστή σε κατάλληλη πρίζα.
- ◆ Με την μπαταρία εγκαταστημένη στη σκούπα, περάστε τη θύρα φόρτισης (15), που βρίσκεται στη βάση της σκούπας, πάνω στις ράγες του σταθμού φόρτισης (5a).
- ◆ Η λευκή LED (3) πάνω στη σκούπα θα αναβοσβήνει υποδεικνύοντας ότι η μπαταρία φορτίζεται.
- ◆ Τα τμήματα LED που είναι αναμμένα αυξάνονται καθώς φορτίζεται η μπαταρία - όταν έχει φορτιστεί πλήρως, οι λυχνίες LED σβήνουν. Το πακέτο μπαταρίας είναι πλήρως φορτισμένο και μπορεί να χρησιμοποιηθεί άμεσα ή να παραμείνει στο φορτιστή.

#### Παραμονή της μπαταρίας στο φορτιστή

Ο φορτιστής και το πακέτο μπαταρίας μπορούν να παραμείνουν συνδεδεμένα επ' αόριστον με την πράσινη λυχνία LED αναμμένη. Ο φορτιστής θα διατηρήσει το πακέτο μπαταρίας σε βέλτιστη κατάσταση και πλήρως φορτισμένο.

#### Για να εγκαταστήσετε το πακέτο μπαταρίας (Εικ. Β)

- ◆ Εισάγετε την μπαταρία (4) μέσα στο εργαλείο όπως δείχνει η Εικόνα Β μέχρι να ακουστεί ο ήχος "κλικ".

- ◆ Βεβαιωθείτε ότι το πακέτο μπαταρίας έχει εδράσει πλήρως και έχει ασφαλίσει πλήρως στη θέση του.

### Για να αφαιρέσετε το πακέτο μπαταρίας

- ◆ Πατήστε το κουμπί απελευθέρωσης της μπαταρίας και τραβήξτε το πακέτο μπαταρίας (4) έξω από το εργαλείο.

### Συναρμολόγηση (Εικ. C)

- ◆ Ευθυγραμμίστε το πάνω μέρος του σωλήνα επέκτασης (9) με την είσοδο σκούπας (16) όπως δείχνει η Εικόνα C.
- ◆ Σπρώξτε τον σωλήνα επέκτασης (9) πάνω στην είσοδο σκούπας (16) ώστε να ασφαλίσει στη θέση του.
- ◆ Ευθυγραμμίστε το κάτω μέρος του σωλήνα επέκτασης (9) με την κεφαλή δαπέδου (8) όπως δείχνει η Εικόνα C.
- ◆ Σπρώξτε το κάτω μέρος του σωλήνα επέκτασης (9) πάνω στην κεφαλή δαπέδου (8) ώστε να ασφαλίσει στη θέση του.
- ◆ Για να αφαιρέσετε ένα αξεσουάρ, πιέστε το κουμπί απελευθέρωσης αξεσουάρ που βρίσκεται πάνω στο αξεσουάρ και τραβήξτε το αξεσουάρ για να το αφαιρέσετε.

### ΧΡΗΣΗ

Αυτή η ηλεκτρική σκούπα μπορεί να χρησιμοποιηθεί με έναν από τέσσερις τρόπους.

- ◆ Με τον σωλήνα επέκτασης (9) και την κεφαλή δαπέδου (8) όπως δείχνει η Εικόνα C.
- ◆ Με τη βούρτσα δαπέδου (8) και την είσοδο σκούπας (16) όπως δείχνει η Εικόνα D.
- ◆ Με τον σωλήνα επέκτασης (9) και ένα εργαλείο αξεσουάρ (10), (11), (13) ή (14) όπως δείχνει η Εικόνα E.
- ◆ Με ένα εργαλείο αξεσουάρ (10), (11), (13) ή (14) και την είσοδο σκούπας (16) όπως δείχνει η Εικόνα E.
- ◆ Τα αξεσουάρ που δεν παρέχονται με τη μονάδα σας μπορείτε να τα παραγγείλετε μέσω του τμήματος σέρβις.

### Ενεργοποίηση και απενεργοποίηση (Εικ. F)

- ◆ Για ενεργοποίηση, πατήστε το κουμπί On/Off (ενεργοποίησης/απενεργοποίησης) (1).
- ◆ Για αυξημένη ισχύ, κινήστε προς τα εμπρός τον διακόπτη ρύθμισης ισχύος (2).

**Σημείωση:** Η βούρτσα δαπέδου (8) θα ενεργοποιηθεί όταν συνδεθεί στη σκούπα ή στον σωλήνα επέκτασης (μπορεί να απενεργοποιηθεί με πάτημα του κουμπιού 2a στο τμήμα ελέγχου της συσκευής). Τα φώτα εργασίας LED στο μπροστινό μέρος της κεφαλής δαπέδου θα ανάβουν όταν είναι ενεργοποιημένο το κουμπί (2a) ενεργοποίησης περιστροφικής βούρτσας (μπορείτε να τα απενεργοποιήσετε πατώντας πάλι το κουμπί).

**Σημείωση:** Οι LED ένδειξης κατάστασης φόρτισης (3) θα ανάβουν όταν είναι ενεργοποιημένη η σκούπα ή κατά τη διαδικασία φόρτισης.

- ◆ Για απενεργοποίηση, πατήστε κουμπί On/Off (1).
- ◆ Ξανασυνδέστε το προϊόν με τον φορτιστή αμέσως μετά τη χρήση ώστε να είναι έτοιμο και πλήρως φορτισμένο για την επόμενη χρήση. Βεβαιωθείτε ότι το προϊόν έχει

συνδεθεί καλά με το φως του φορτιστή.

### Χρήση ενός εργαλείου αξεσουάρ (Εικ. G)

Η ηλεκτρική σας σκούπα μπορεί να συνδεθεί από ορισμένα από τα εξής εργαλεία.

- ◆ Εργαλείο αξεσουάρ 2 σε 1 (10)
- ◆ Εργαλείο σχισμών (11).
- ◆ Εργαλείο για τρίχες κατοικίδιων (13).
- ◆ Βούρτσα σκόνης με ευρύ στόμιο (14).
- ◆ Το εργαλείο αξεσουάρ (10), (11), (13) ή (14) μπορεί να τοποθετηθεί είτε απευθείας στον σωλήνα επέκτασης (6) είτε στην είσοδο σκούπας (5) όπως δείχνει η Εικ. J.
- ◆ Ευθυγραμμίστε το πάνω μέρος του εργαλείου αξεσουάρ (10), (11), (13) ή (14) με την είσοδο σκούπας (16) ή τη σύνδεση σωλήνα επέκτασης (9a) και σπρώξτε το να έρθει στη θέση του και να ασφαλίσει εκεί, όπως δείχνει η Εικόνα G.

	BHFEV182B	BHFEV182C	BHFEV182CP
10 2 in 1 Accessory			
11 Crevice tool	✓	✓	✓
12 Accessory storage clip	✓	✓	✓
13 Pet hair tool			✓
14 Wide mouth dust brush			

- ◆ Όλα είναι διαθέσιμα μέσω του τμήματος σέρβις

### Καθαρισμός και άδειασμα της σκούπας

#### Αισθητήρας φίλτρου

Όταν ένα φίλτρο είναι φραγμένο και χρειάζεται καθαρισμό, ανάβει η κόκκινη LED φίλτρου (3) στον κορμό της συσκευής.

#### Αναδευτήρας φίλτρου (Εικ. H)

Με το αφαιρούμενο με ανύψωση δοχείο συλλογής σκόνης (6) να έχει αφαιρεθεί από τον κορμό της συσκευής (17), περιστρέψτε τον τροχό αναδευτήρα φίλτρου 5 - 10 φορές για να αφαιρέσετε το μεγαλύτερο μέρος της σκόνης από το φίλτρο, αυξάνοντας έτσι την απόδοσή του.

**Σημείωση:** Συνιστάται να πραγματοποιείτε την ανάδευση της σκόνης όταν η μονάδα έχει εκκενωθεί και το προφίλτρο έχει αφαιρεθεί.

**Σημείωση:** Η μέγιστη συλλογή σκόνης επιτυγχάνεται μόνο με καθαρά φίλτρα και κενό δοχείο συλλογής σκόνης. Αν αρχίσει να πέφτει σκόνη έξω από τη συσκευή μετά την απενεργοποίησή της, αυτό σημαίνει ότι το δοχείο συλλογής σκόνης είναι γεμάτο και πρέπει να το αδειάσετε.

#### Για να αδειάσετε το δοχείο συλλογής σκόνης (Εικ. I, J)

- ◆ Ανυψώστε και αφαιρέστε από τον κορμό της συσκευής (17) το αφαιρούμενο με ανύψωση δοχείο συλλογής σκόνης (6), όπως δείχνει η Εικόνα I.
- ◆ Τοποθετήστε το δοχείο συλλογής σκόνης πάνω από έναν

κάδο απορριμμάτων και πιέστε το κουμπί απασφάλισης (6a) του καπακιού του δοχείου συλλογής σκόνης για να αδειάσετε το δοχείο συλλογής σκόνης, όπως δείχνει η Εικόνα J.

- ◆ Κλείστε το καπάκι (7) του δοχείου συλλογής σκόνης, έως ότου ασφαλίσει στη θέση του με ήχο "κλικ".
- ◆ Εγκαταστήστε το αφαιρούμενο με ανύψωση δοχείο συλλογής σκόνης (6) πάλι μέσα στον κορμό της συσκευής (17).

### Αφαίρεση του προφίλτρου (Εικ. Κ)

- ◆ Ανυψώστε και αφαιρέστε από τον κορμό της συσκευής (17) το αφαιρούμενο με ανύψωση δοχείο συλλογής σκόνης (6), όπως δείχνει η Εικόνα I.
- ◆ Τοποθετήστε το δοχείο συλλογής σκόνης πάνω από έναν κάδο απορριμμάτων και πιέστε το κουμπί απασφάλισης (6a) του καπακιού του δοχείου συλλογής σκόνης για να αδειάσετε το δοχείο συλλογής σκόνης, όπως δείχνει η Εικόνα J.
- ◆ Χρησιμοποιήστε τον δείκτη και τον αντίχειρά σας για να πιέσετε το προφίλτρο (18) και τραβήξτε το προφίλτρο (18) από το δοχείο συλλογής σκόνης (6) όπως δείχνει η Εικόνα Κ.

**Σημείωση:** Το περίβλημα φίλτρου εφαρμόζει σφιχτά μέσα στο δοχείο συλλογής σκόνης και μπορεί να είναι αρχικά δύσκολο να το αφαιρέσετε.

- ◆ Αδειάστε το δοχείο συλλογής σκόνης.
- ◆ Εγκαταστήστε το προφίλτρο (18) μέσα στο δοχείο συλλογής σκόνης (6) διασφαλίζοντας ότι η προεξοχή (20) του δοχείου συλλογής σκόνης ευθυγραμμίζεται με την εγκοπή προφίλτρου (19) όπως δείχνει η Εικόνα Κ.
- ◆ Εγκαταστήστε το δοχείο συλλογής σκόνης μέσα στη σκούπα, έως ότου ασφαλίσει καλά στη θέση του με ήχο "κλικ".

### Αφαίρεση του φίλτρου (Εικ. L)

- ◆ Ανυψώστε και αφαιρέστε από τον κορμό της συσκευής (17) το αφαιρούμενο με ανύψωση δοχείο συλλογής σκόνης (6), όπως δείχνει η Εικόνα I.
- ◆ Τοποθετήστε το δοχείο συλλογής σκόνης πάνω από έναν κάδο απορριμμάτων και πιέστε το κουμπί απασφάλισης (6a) του καπακιού του δοχείου συλλογής σκόνης για να αδειάσετε το δοχείο συλλογής σκόνης, όπως δείχνει η Εικόνα J.
- ◆ Πιάστε το περίβλημα τροχού ανάδευσης (21) και τραβήξτε το πάνω για να το αφαιρέσετε.
- ◆ Αφαιρέστε το φίλτρο (22) από το περίβλημα τροχού αναδευτήρα φίλτρου (21) όπως δείχνει η Εικόνα L.
- ◆ Τινάξτε ή βουρτσάστε ελαφρά τη μη προσκολλημένη σκόνη από το φίλτρο.
- ◆ Εγκαταστήστε το φίλτρο (22) μέσα στο περίβλημα τροχού αναδευτήρα φίλτρου (21).
- ◆ Εγκαταστήστε το περίβλημα τροχού αναδευτήρα (21)

πάνω στο δοχείο συλλογής σκόνης έως ότου ασφαλίσει καλά στη θέση του με ήχο "κλικ".

### Καθαρισμός των φίλτρων

- ◆ Αφού έχετε αφαιρέσει το φίλτρο και το προφίλτρο από το δοχείο συλλογής σκόνης, τινάξτε ή βουρτσάστε ελαφρά για να απομακρύνετε τη μη προσκολλημένη σκόνη από το προφίλτρο και το φίλτρο.
- ◆ Ξεπλύνετε το δοχείο συλλογής σκόνης (6) με χλιαρό σαπουνόνερο.
- ◆ Πλύνετε τα φίλτρα με χλιαρό σαπουνόνερο.
- ◆ Βεβαιωθείτε ότι τα φίλτρα είναι τελείως στεγνά, πριν τα επανατοποθετήσετε (24 ώρες).
- ◆ Για τη συναρμολόγηση, ακολουθήστε τις οδηγίες στις ενότητες "Αφαίρεση του προφίλτρου" και "Αφαίρεση του φίλτρου".

**Σημείωση:** Η μέγιστη συλλογή σκόνης επιτυγχάνεται μόνο με καθαρά φίλτρα και κενό δοχείο συλλογής σκόνης. Αν αρχίσει να πέφτει σκόνη έξω από τη συσκευή μετά την απενεργοποίησή της, αυτό σημαίνει ότι το δοχείο συλλογής σκόνης είναι γεμάτο και πρέπει να το αδειάσετε, ή ότι υπάρχει απόφραξη σε κάποιο σημείο.

- ◆ Πλύνετε τα φίλτρα τακτικά χρησιμοποιώντας χλιαρό σαπουνόνερο και να βεβαιώνετε ότι έχουν στεγνώσει τελείως πριν τα χρησιμοποιήσετε πάλι. Όσο πιο καθαρό είναι το φίλτρο, τόσο καλύτερη θα είναι η απόδοση του προϊόντος.
- ◆ Είναι πολύ σημαντικό να έχουν στεγνώσει τελείως τα φίλτρα και να έχουν τοποθετηθεί σωστά στη θέση τους πριν τη χρήση.

### Αφαίρεση και καθαρισμός των περιστροφικών βουρτσών (Εικ. Μ)

**Προειδοποίηση!** Για να μειώσετε τον κίνδυνο τραυματισμού από κινούμενα μέρη, αποσυνδέετε την μπαταρία πριν από κάθε εργασία καθαρισμού ή σέρβις.

- ◆ Για να αφαιρέσετε την περιστροφική βούρτσα (23) από την κεφαλή δαπέδου (8) πιέστε το κουμπί απασφάλισης (24) όπως δείχνει η Εικόνα Μ.
- ◆ Ανυψώστε την περιστροφική βούρτσα από την ασφαλισμένη της θέση.
- ◆ Η περιστροφική βούρτσα (23) μπορεί τώρα να αφαιρεθεί.
- ◆ Καθαρίστε την περιστροφική βούρτσα και επανεγκαταστήστε την. Βεβαιωθείτε ότι έχει στερεωθεί στην ασφαλισμένη θέση πριν τη λειτουργία της συσκευής.

### Φύλαξη

Η μονάδα μπορεί να φυλαχτεί με ασφάλεια με χρήση του σταθμού φόρτισης (5a) όπως δείχνει η Εικόνα Ν.

### Συντήρηση

Αυτή η συσκευή μπαταρίας της BLACK+DECKER έχει

σχεδιαστεί έτσι ώστε να λειτουργεί για μεγάλο χρονικό διάστημα με την ελάχιστη δυνατή συντήρηση. Η συνεχής ικανοποιητική λειτουργία εξαρτάται από τη σωστή φροντίδα και τον τακτικό καθαρισμό του εργαλείου.

**Προειδοποίηση!** Πριν πραγματοποιήσετε οποιαδήποτε συντήρηση σε συσκευές που λειτουργούν με μπαταρία:

- ◆ Αφαιρέστε την μπαταρία.
- ◆ Αποσυνδέστε το φορτιστή από την πρίζα πριν τον καθαρίσετε. Ο φορτιστής σας δεν χρειάζεται καμία άλλη συντήρηση πέραν του τακτικού καθαρισμού.
- ◆ Να καθαρίζετε τακτικά τις εγχοπές εξαιρισμού της συσκευής/του φορτιστή με μαλακή βούρτσα ή στεγνό πανί.
- ◆ Να καθαρίζετε τακτικά το περίβλημα του μοτέρ, χρησιμοποιώντας ένα ελαφρά υγρό πανί. Μη χρησιμοποιείτε καθαριστικά που χαράζουν ή περιέχουν διαλύτες.

### Αντικατάσταση των φίλτρων

Τα φίλτρα πρέπει να αντικαθίστανται κάθε 6 με 9 μήνες και όταν έχουν φθαρεί ή υποστεί ζημιά.

Ανταλλακτικά φίλτρα είναι διαθέσιμα από τον τοπικό σας αντιπρόσωπο της BLACK+DECKER.

- ◆ Αφαιρέστε τα παλιά φίλτρα όπως περιγράφεται παραπάνω.
- ◆ Τοποθετήστε τα καινούργια φίλτρα όπως περιγράφεται παραπάνω.

### Αντιμετώπιση προβλημάτων

Πρόβλημα	Πιθανή αιτία	Πιθανή λύση
Η μονάδα δεν τίθεται σε λειτουργία.	Το πακέτο μπαταρίας δεν είναι φορτισμένο.	Ελέγξτε τις απαιτήσεις φόρτισης του πακέτου μπαταρίας.
	Απόφραξη.	Ελέγξτε τον σωλήνα κεφαλής δαπέδου.
		Ελέγξτε τον σωλήνα επέκτασης.
	Ελέγξτε ανάμεσα στον σωλήνα επέκτασης και στον κάδο	
Η περιστροφική βούρτσα σταματά να λειτουργεί.	Εμπόδιο.	Η μονάδα είναι εξοπλισμένη με λειτουργία προστασίας από υπερφόρτωση λόγω της περιστροφικής βούρτσας. Αφαιρέστε την περιστροφική βούρτσα και καθαρίστε την από όλα τα σκουπίδια και εμπόδια κίνησης
Το πακέτο μπαταρίας δεν φορτίζεται.	Ο φορτιστής δεν έχει συνδεθεί στο ρεύμα.	Συνδέστε τον φορτιστή σε λειτουργική πρίζα. Ανατρέξτε στις "Σημαντικές παρατηρήσεις για τη φόρτιση", για περισσότερες λεπτομέρειες.
	Η θερμοκρασία αέρα περιβάλλοντος είναι πολύ θερμή ή πολύ ψυχρή	Μετακινήστε το φορτιστή και το πακέτο μπαταρίας σε θερμοκρασία πάνω από 4 °C και κάτω από +40 °C.

### Προστασία του περιβάλλοντος



Χωριστή συλλογή. Τα προϊόντα και οι μπαταρίες που επισημαίνονται με αυτό το σύμβολο δεν πρέπει να απορρίπτονται μαζί με τα κανονικά οικιακά απορρίμματα.

Τα προϊόντα και οι μπαταρίες περιέχουν υλικά που μπορούν να ανακτηθούν ή να ανακυκλωθούν ώστε να μειωθούν οι ανάγκες για πρώτες ύλες. Παρακαλούμε να ανακυκλώνετε τα ηλεκτρικά προϊόντα και τις μπαταρίες σύμφωνα με τους τοπικούς κανονισμούς. Περισσότερες πληροφορίες διατίθενται στον ιστότοπο [www.2helpU.com](http://www.2helpU.com)

### Τεχνικά δεδομένα

	BHFEV182B*	BHFEV182C	BHFEV182CP
Τάση	18	18	18
Βατώρες		36	36
Βάρος	2,8	3,17	3,23
Μπαταρία		BL2018	BL2018
Φορτιστής	S010**2400040 / SSC-250040**	S010**2400040 / SSC-250040**	S010**2400040 / SSC-250040**
Χρόνος φόρτισης κατά προσέγγιση		5 ώρες	5 ώρες

\* Η BHFEV182B είναι βασική μονάδα και δεν συνοδεύεται από μπαταρία ή φορτιστή.

### Εγγύηση

Η Black & Decker είναι σίγουρη για την ποιότητα των προϊόντων της και προσφέρει στους καταναλωτές εγγύηση 24 μηνών από την ημερομηνία αγοράς. Αυτή η εγγύηση συμπληρώνει και με κανένα τρόπο δεν παραβιάζει τα νόμιμα δικαιώματά σας. Η εγγύηση ισχύει εντός της επικράτειας των χωρών μελών της Ευρωπαϊκής Ένωσης και της Ευρωπαϊκής Ζώνης Ελεύθερων Συναλλαγών. Για να υποβάλετε αξίωση βάσει της εγγύησης, η αξίωση θα πρέπει να είναι σύμφωνη με τους Όρους και προϋποθέσεις της Black&Decker και θα χρειαστεί να υποβάλετε απόδειξη αγοράς στον πωλητή ή σε εξουσιοδοτημένο αντιπρόσωπο σέρβις.

Μπορείτε να αποκτήσετε τους Όρους και προϋποθέσεις της εγγύησης 2 ετών της Black&Decker και να μάθετε την τοποθεσία του πλησιέστερου εξουσιοδοτημένου αντιπροσώπου επισκευών στο Internet στο [www.2helpU.com](http://www.2helpU.com), ή επικοινωνώντας με το τοπικό σας γραφείο Black & Decker στη διεύθυνση που υποδεικνύεται στο παρόν εγχειρίδιο. Παρακαλούμε επισκεφθείτε την ιστοσελίδα μας [www.blackanddecker.gr](http://www.blackanddecker.gr) για να καταχωρίσετε το νέο σας προϊόν Black & Decker και για να ενημερώνεστε για τα νέα προϊόντα και τις ειδικές προσφορές.

<b>België/Belgique/Luxembourg</b> www.blackanddecker.be enduser.be@sbdinc.com	Stanley Black & Decker Belgium BVBA Egide Walschaertsstraat 16 2800 Mechelen	Tel. NL +32 15 47 37 65 Tel. FR +32 15 47 37 66 Fax. +32 15 47 37 99
<b>Danmark</b>	Black & Decker Roskildevej 22 2620 Albertslund	kundeservice.dk@sbdinc.com www.blackanddecker.dk
<b>Deutschland</b> www.blackanddecker.de infobd@e@sbdinc.com	Stanley Black & Decker Deutschland GmbH Black & Decker Str. 40, D - 65510 Idstein	Tel. 06126 21-0 Fax 06126 21-2980
<b>Ελλάδα</b> www.blackanddecker.gr greece.service@sbdinc.com	Stanley Black & Decker (ΕΛΛΑΣ) Ε.Π.Ε ΓΡΑΦΕΙΑ: Σπυρίδωνος 7 & Βουλιαγμένης 166 74 Γλυφάδα - Αθήνα	Τηλ. 210-8981616 Φαξ 210-8983570
<b>SERVICE:</b>	Ημερος Τόπος 2 - Χάνι Αδάμ 193 00 Ασπρόπυργος - Αθήνα	Τηλ. Service 210-8985208 Φαξ 210-5597598
<b>España</b> www.blackanddecker.es respuesta.posventa@sbdinc.com	Stanley Black & Decker Ibérica, S.C.A. Parc de Negocis "Mas Blau" Edificio Muntadas, c/Bergadá, 1, Of. A6 08820 El Prat de Llobregat (Barcelona)	Tel. 934 797 400 Fax 934 797 419
<b>France</b> www.blackanddecker.fr	Black & Decker (France) S.A.S. 5 allée des Hêtres B.P. 30084 69579 Limonest Cédex	Tel. 04 72 20 39 20 Fax 04 72 20 39 00
<b>Helvetia</b> www.blackanddecker.ch service@rofoag.ch	ROFO AG Gewerbezone Seeblick 3213 Kleinbödingen	Tel. 026-6749393 Fax 026-6749394
<b>Italia</b> www.blackanddecker.it service.italia@sbdinc.com	Stanley Black & Decker Italia Via Energypark 6 20871 Vimercate (MB)	Tel. 039-9590200 Fax 039-9590313 Numero verde 800-213935
<b>Nederland</b> www.blackanddecker.nl enduser.nl@sbdinc.com	Stanley Black & Decker Netherlands BV Holtum Noordweg 35, 6121 RE BORN Postbus 83, 6120 AB BORN	Tel. +31 164 283 065 Fax +31 164 283 200
<b>Norge</b>	Black & Decker Postboks 4613, Nydalen 0405 Oslo	kundeservice.no@sbdinc.com www.blackanddecker.no
<b>Österreich</b> www.blackanddecker.at service.austria@sbdinc.com	Stanley Black & Decker Austria GmbH Oberlaaerstraße 248, A-1230 Wien	Tel. 01 66116-0 Fax 01 66116-614
<b>Portugal</b> www.blackanddecker.pt resposta.posvenda@sbdinc.com	Black & Decker Limited SARL Quinta da Fonte - Edifício Q55 D. Diniz Rua dos Malhães, 2 e 2A - Piso 2 Esquerdo 2770 - 071 Paço de Arcos	Tel. 214667500 Fax 214667580
<b>Suomi</b>	Black & Decker PL47 00521, Helsinki	asiakaspalvelu.fi@sbdinc.com www.blackanddecker.fi
<b>Sverige</b>	Black & Decker AB Box 94, 431 22 Mölndal	kundservice.se@sbdinc.com www.blackanddecker.se
<b>Türkiye</b> www.blackanddecker.com.tr	KALE Hırdavat ve Makina A.Ş. Defterdar Mah. Savaklar Cad. No:15 Edirnekapı / Eyüp / İstanbul 34050	Tel. 0212 533 52 55 Fax. 0212 533 10 05
<b>United Kingdom &amp; Republic Of Ireland</b> www.blackanddecker.co.uk emeaservice@sbdinc.com	Black & Decker 210 Bath Road Slough, Berkshire SL1 3YD	Tel. 01753 511234 Fax 01753 512365
<b>Middle East &amp; Africa</b> www.blackanddecker.ae service.mea@sbdinc.com	Black & Decker P.O.Box - 17164 Jebel Ali Free Zone (South), Dubai, UAE	Tel. +971 4 8863030 Fax +971 4 8863333