

This Owner's Manual is provided and hosted by [Appliance Factory Parts](http://www.appliancefactoryparts.com).



Black & Decker v4820 Owner's Manual

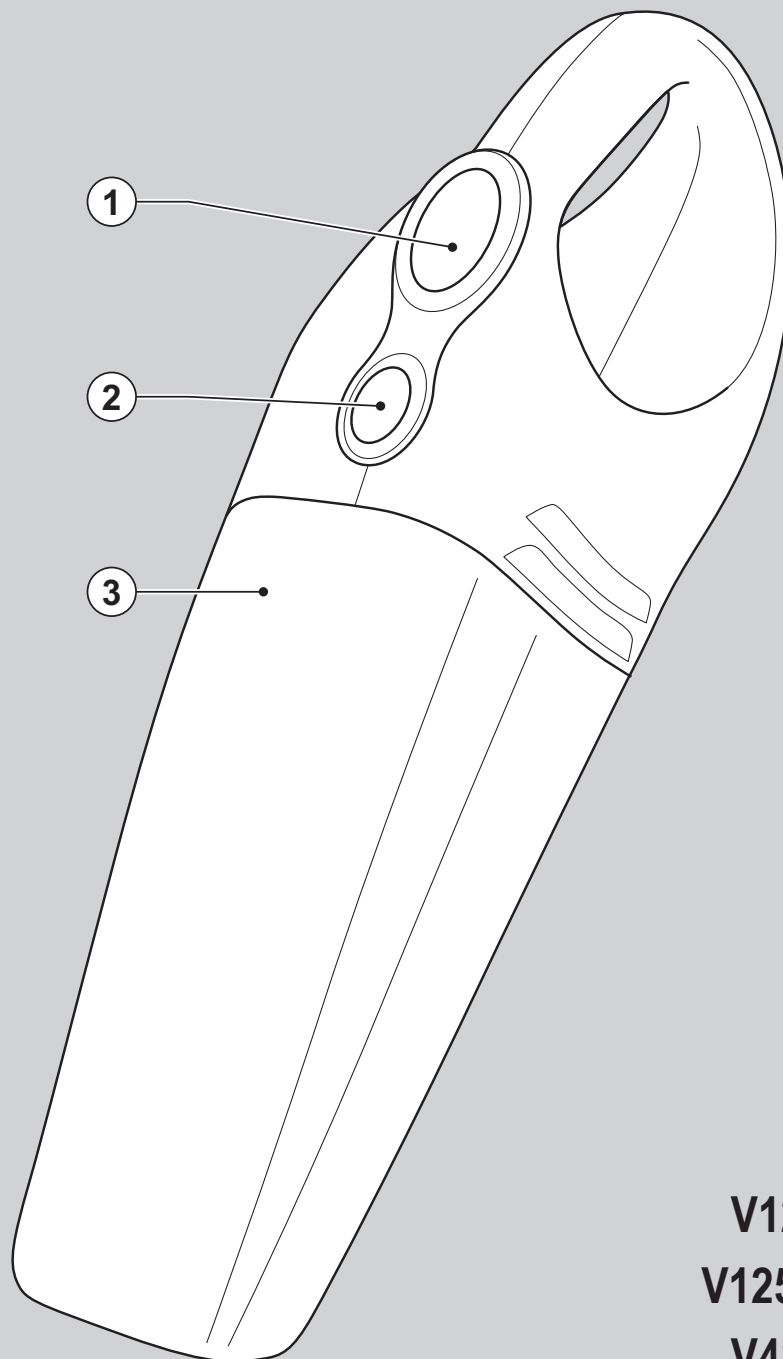
[Shop genuine replacement parts for Black & Decker
v4820](#)



[Find Your Black & Decker Vacuum Cleaner Parts - Select From 339 Models](#)

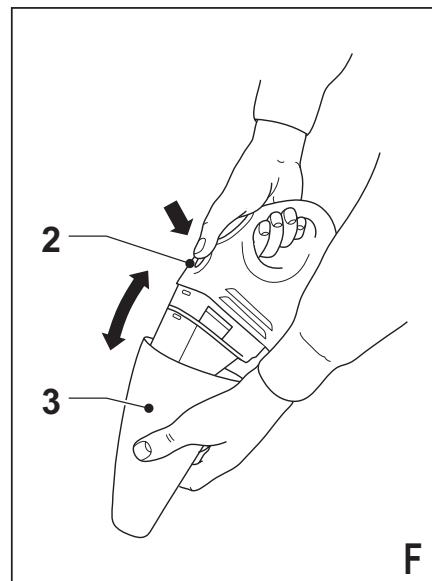
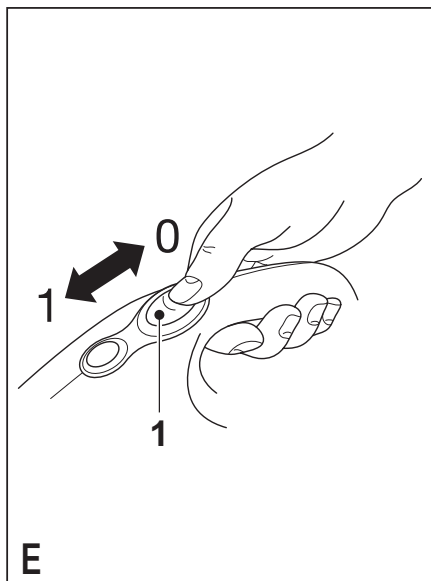
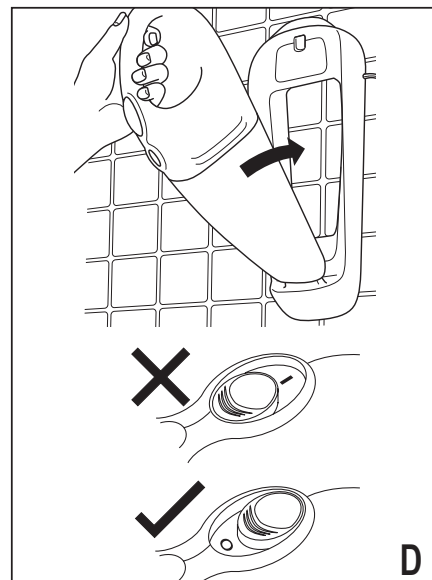
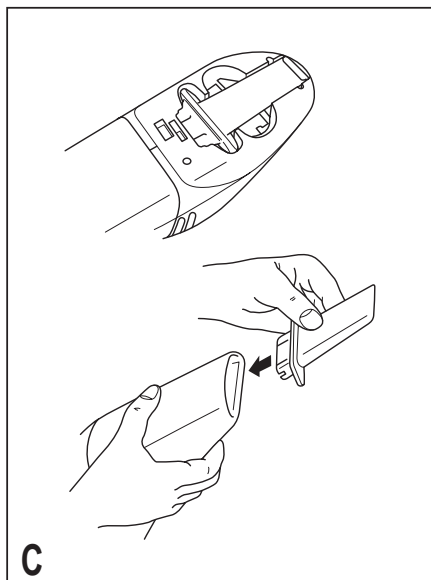
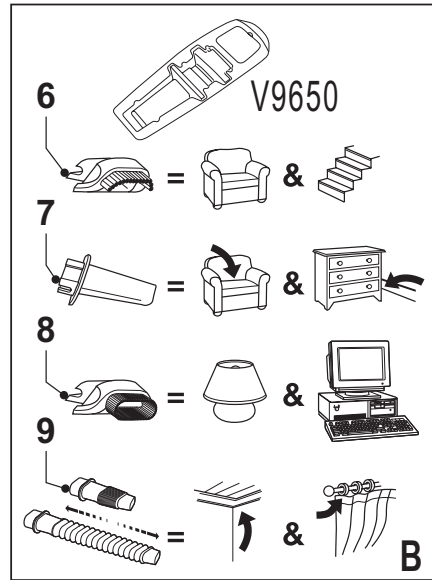
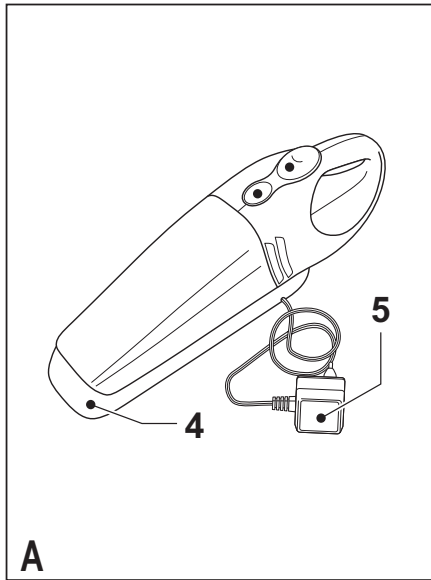
----- Manual continues below -----

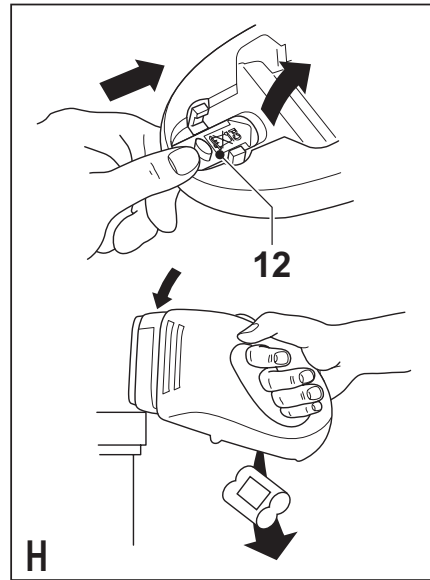
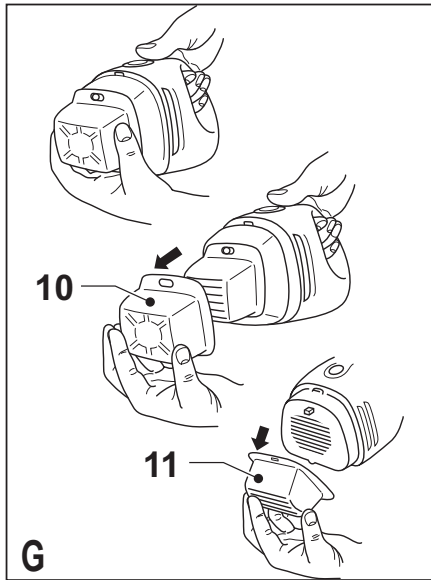
Powerful Solutions™



V1250
V1250N
V4800
V4810
V4820
V7210
V9650

www.blackanddecker.co.uk





Intended use

Your Black & Decker Dustbuster® hand held vacuum cleaner has been designed for light dry vacuum cleaning purposes. This product is intended for household use only.

Safety instructions

- ◆ **Warning!** When using battery-powered appliances, basic safety precautions, including the following, should always be followed to reduce the risk of fire, leaking batteries, personal injury and material damage.
- ◆ Read this manual carefully before using the appliance.
- ◆ The intended use is described in this manual. The use of any accessory or attachment or the performance of any operation with this appliance other than those recommended in this instruction manual may present a risk of personal injury.
- ◆ Retain this manual for future reference.

Using your appliance

- ◆ Do not use the appliance to pick up liquids or any materials that could catch fire.
- ◆ Do not use the appliance near water. Do not immerse the appliance in water.
- ◆ Never pull the charger lead to disconnect the charger from the socket. Keep the charger lead away from heat, oil and sharp edges.

After use

- ◆ Unplug the charger before cleaning the charger or charging base.
- ◆ When not in use, the appliance should be stored in a dry place. Children should not have access to stored appliances.

Inspection and repairs

- ◆ Before use, check the appliance for damaged or defective parts. Check for breakage of parts, damage to switches and any other conditions that may affect its operation.
- ◆ Do not use the appliance if any part is damaged or defective.

- ◆ Have any damaged or defective parts repaired or replaced by an authorised repair agent.
- ◆ Regularly check the charger lead for damage. Replace the charger if the lead is damaged or defective.
- ◆ Never attempt to remove or replace any parts other than those specified in this manual.

Residual risks

Additional residual risks may arise when using the tool which may not be included in the enclosed safety warnings. These risks can arise from misuse, prolonged use, etc.

Even with the application of the relevant safety regulations and the implementation of safety devices, certain residual risks can not be avoided. These include:

- ◆ Injuries caused by touching any rotating/moving parts.
- ◆ Injuries caused when changing any parts, blades or accessories.
- ◆ Injuries caused by prolonged use of a tool. When using any tool for prolonged periods ensure you take regular breaks.
- ◆ Impairment of hearing.
- ◆ Health hazards caused by breathing dust developed when using your tool (example: working with wood, especially oak, beech and MDF).

Safety of others

- ◆ This appliance is not intended for use by persons (including children) with reduced physical, sensory or mental capabilities, or lack of experience and knowledge, unless they have been given supervision or instruction concerning use of the appliance by a person responsible for their safety.
- ◆ Children should be supervised to ensure that they do not play with the appliance.

Additional safety instructions for batteries and chargers

Batteries

- ◆ Never attempt to open for any reason.
- ◆ Do not expose the battery to water.
- ◆ Do not expose the battery to heat.
- ◆ Do not store in locations where the temperature may exceed 40 °C.
- ◆ Charge only at ambient temperatures between 10 °C and 40 °C.
- ◆ Charge only using the charger provided with the appliance/tool.
- ◆ When disposing of batteries, follow the instructions given in the section "Protecting the environment".
- ◆ Do not damage/deform the battery pack either by puncture or impact, as this may create a risk of injury and fire.
- ◆ Do not charge damaged batteries.
- ◆ Under extreme conditions, battery leakage may occur. When you notice liquid on the batteries, proceed as follows:
 - ◆ Carefully wipe the liquid off using a cloth. Avoid skin contact.
 - ◆ In case of skin or eye contact, follow the instructions below.

Warning! The battery fluid may cause personal injury or damage to property. In case of skin contact, immediately rinse with water. If redness, pain or irritation occurs seek medical attention. In case of eye contact, rinse immediately with clean water and seek medical attention.

Chargers

Your charger has been designed for a specific voltage. Always check that the mains voltage corresponds to the voltage on the rating plate.

Warning! Never attempt to replace the charger unit with a regular mains plug.

- ◆ Use your Black & Decker charger only to charge the battery in the appliance/tool with which it was supplied. Other batteries could burst, causing personal injury and damage.
- ◆ Never attempt to charge non-rechargeable batteries.

- ◆ If the supply cord is damaged, it must be replaced by the manufacturer or an authorised Black & Decker Service Centre in order to avoid a hazard.
- ◆ Do not expose the charger to water.
- ◆ Do not open the charger.
- ◆ Do not probe the charger.
- ◆ The appliance/tool/battery must be placed in a well ventilated area when charging.

Electrical safety

Your charger has been designed for a specific mains voltage. Always check that the mains voltage corresponds to the voltage on the rating plate.



Your charger is double insulated.

Features

1. On/off switch
2. Release button
3. Dust bowl

Fig. A

4. Charging base
5. Charger

Installation

Fitting the charging base to the wall

The charging base can be fitted to the wall to provide a convenient storage and charging point for the appliance.

Before first use

Before first use, the battery must be charged for at least 24 hours.

Use

Charging the battery (fig. D)

- ◆ Make sure that the appliance is switched off. The battery will not be charged with the on/off switch in the on position.
- ◆ Place the appliance on the charging base as shown.
- ◆ Plug in the charger.
- ◆ Switch on at the mains.

- ◆ Leave the appliance to charge for at least 24 hours.

Whilst charging, the charger may become warm. This is normal and does not indicate a problem. The appliance can be left connected to the charger indefinitely.

Important! Place the appliance on the charging base whenever it is not in use. Do not charge the battery at ambient temperatures below 10 °C or above 40 °C.

Operating the appliance (fig. E)

- ◆ To switch on, slide the on/off switch (1) forward.
- ◆ To switch off, slide the on/off switch back.

Accessories (fig. B & C)

V1250/V4810/V4820/V7210/V9650

These models are supplied with the following accessories:

- ◆ a hard brush (6) for furniture and stairs (not for V4820)
- ◆ a crevice tool (7) for confined spaces
- ◆ a soft brush (8) for keyboards and lamp shades (V4820)

V1250/V9650

Two additional accessories are stored in a portable caddy located in the charging base:

- ◆ a soft brush (8) for keyboards and lamp shades
- ◆ an extendable crevice tool (9) for longer reach in confined spaces

V1250N

This model is not supplied with accessories.

To fit an accessory, proceed as follows:

- ◆ Take the accessories from the appliance.
- ◆ Insert the appropriate accessory into the front of the appliance.

Cleaning and maintenance

Warning! Regularly clean the filters.

Cleaning the dust bowl and filters (fig. F & G)

The filters are re-usable and should be cleaned regularly.

- ◆ Press the release button (2) and remove the dust bowl (3).
- ◆ Empty the dust bowl.
- ◆ Remove the filters (10) by twisting them clockwise.
- ◆ Brush any loose dust off the filters.
- ◆ Wash the filters in warm, soapy water. The bowl can also be washed if necessary. Do not immerse the appliance in water.
- ◆ Make sure the dust bowl and filters are dry.
- ◆ Refit the filters (10) onto the appliance, twisting them counterclockwise until they lock into place.
- ◆ Refit the dust bowl onto the appliance. Make sure the dust bowl clicks into place.

Warning! Never use the appliance without the filters. Optimum dust collection will only be achieved with clean filters and an empty dust bowl.

Replacing the filters

The filters should be replaced every 6 to 9 months and whenever worn or damaged. Replacement filters are available from your Black & Decker dealer (cat. no. VF20).

- ◆ Remove the old filters as described above.
- ◆ Fit the new filters as described above.

Maintenance

Your tool has been designed to operate over a long period of time with a minimum of maintenance. Continuous satisfactory operation depends upon proper tool care and regular cleaning.

Warning! Before performing any maintenance, switch off and unplug the tool.

- ◆ Switch off and unplug the appliance/tool.
- ◆ Or switch off and remove the battery from the appliance/tool if the appliance/tool has a separate battery pack.
- ◆ Or run the battery down completely if it is integral and then switch off.
- ◆ Unplug the charger before cleaning it. Your charger does not require any maintenance apart from regular cleaning.
- ◆ Regularly clean the ventilation slots in your tool using a soft brush or dry cloth.
- ◆ Regularly clean the motor housing using a damp cloth. Do not use any abrasive or solvent-based cleaner.
- ◆ Regularly open the chuck and tap it to remove any dust from the interior (when fitted).

Protecting the environment



Separate collection. This product must not be disposed of with normal household waste.

Should you find one day that your Black & Decker product needs replacement, or if it is of no further use to you, do not dispose of it with household waste. Make this product available for separate collection.



Separate collection of used products and packaging allows materials to be recycled and used again. Re-use of recycled materials helps prevent environmental pollution and reduces the demand for raw materials.

Local regulations may provide for separate collection of electrical products from the household, at municipal waste sites or by the retailer when you purchase a new product.

Black & Decker provides a facility for the collection and recycling of Black & Decker products once they have reached the end of their working life. To take advantage of this service please return your product to any authorised repair agent who will collect them on our behalf.

You can check the location of your nearest authorised repair agent by contacting your local Black & Decker office at the address indicated in this manual. Alternatively, a list of authorised Black & Decker repair agents and full details of our after-sales service and contacts are available on the Internet at: www.2helpU.com

Battery (fig. H)



Black & Decker batteries can be recharged many times. At the end of their useful life, discard batteries with due care for our environment.

If you want to dispose of the product yourself, the battery must be removed as described below and disposed of in accordance with local regulations.

- ◆ Discharge the battery by operating the appliance until the motor stops. The battery is located under the back end of the appliance.
- ◆ Remove the crevice tool from the accessory holder.
- ◆ Push the slider (12) towards the front of the product.
- ◆ Remove the accessory holder.
- ◆ Strike the product on a firm and stable surface as shown in fig. H to dislodge the battery.
- ◆ Place the battery in suitable packaging to ensure that the terminals cannot be short-circuited.
- ◆ Take the battery to your service agent or a local recycling station.

Warning! Once removed, the battery cannot be refitted.

Technical data

	V1250 H2	V1250N H2
Voltage	V 12	12
Weight	kg 1.8	1.7

	V4800 H2	V4810 H2
Voltage	V 4.8	4.8
Weight	kg 1.2	1.2

	V4820 H2	V7210 H2
Voltage	V 4.8	7.2
Weight	kg 1.2	1.4

	V9650 H2	
Voltage	V 9.6	
Weight	kg 1.6	

Charger

	5102404-08	VA090020D
Model	V48	V72
Input voltage V_{AC}	230/240	230
Output voltage V_{AC}	6.4	9
Amperage mA	250/265	200
Approx. charging time h	24	24
Weight kg	0.3	0.3

	5102404-11	CHA002014*
Model	V96	V12
Input voltage V_{AC}	230/240	100-240
Output voltage V_{AC}	14	7.2-24 Vdc
Amperage mA	130/140	85
Approx. charging time h	24	24
Weight kg	0.3	0.3

Level of sound pressure according to EN 60745:

Sound pressure (L_{DA}) 85 dB(A), uncertainty (K) 3 dB(A)

Vibration total values (triax vector sum) according to EN 60745:

Hand/arm weighted vibration 2.5 m/s²

Guarantee

Black & Decker is confident of the quality of its products and offers an outstanding guarantee. This guarantee statement is in addition to and in no way prejudices your statutory rights. The guarantee is valid within the territories of the Member States of the European Union and the European Free Trade Area.

If a Black & Decker product becomes defective due to faulty materials, workmanship or lack of conformity, within 24 months from the date of purchase, Black & Decker guarantees to replace defective parts, repair products subjected to fair wear and tear or replace such products to ensure minimum inconvenience to the customer unless:

- ◆ The product has been used for trade, professional or hire purposes;
- ◆ The product has been subjected to misuse or neglect;
- ◆ The product has sustained damage through foreign objects, substances or accidents;
- ◆ Repairs have been attempted by persons other than authorised repair agents or Black & Decker service staff.

To claim on the guarantee, you will need to submit proof of purchase to the seller or an authorised repair agent. You can check the location of your nearest authorised repair agent by contacting your local Black & Decker office at the address indicated in this manual. Alternatively, a list of authorised Black & Decker repair agents and full details of our after-sales service and contacts are available on the Internet at: www.2helpU.com

Please visit our website

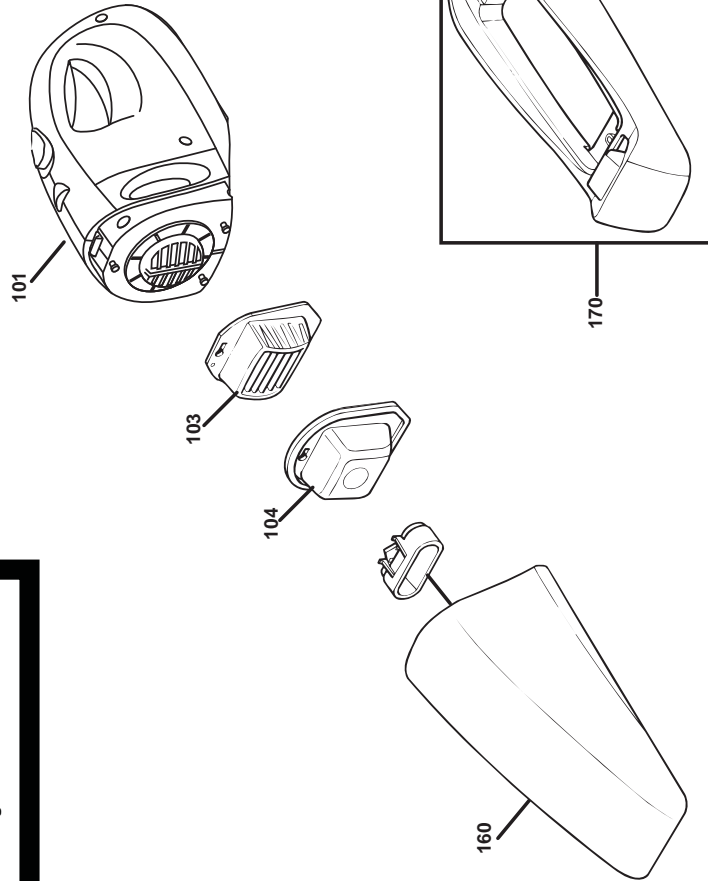
www.blackanddecker.co.uk to register your new Black & Decker product and to be kept up to date on new products and special offers. Further information on the Black & Decker brand and our range of products is available at www.blackanddecker.co.uk



V1250N

TYP.
H2

Partial support - Only parts shown available
Nur die aufgeführten teile sind lieferbar
Reparation partielle - Seules les pieces indiquees sont disponibles
Supporto parziale - Sono disponibili soltanto le parti evidenziate
Solo estan disponibles las piezas listadas
So se encontram disponibles as pecas listadas
Gedeeltelijke ondersteuning - alleen de getoonde onderdelen zijn beschikbaar



E15938

www.2helpU.com

13 - 01 - 10

ENGLISH

Do not forget to register your product!

www.blackanddecker.co.uk/productregistration

Register your product online at **www.blackanddecker.co.uk/productregistration** or
send your name, surname and product code to Black & Decker in your country.

Australia

Black & Decker (Australia) Pty. Ltd.
20 Fletcher Road, Mooroolbark,
Victoria, 3138

Tel. 03-8720 5100
Fax 03-9727 5940

New Zealand

Black & Decker
5 Te Apunga Place
Mt Wellington
Auckland 1060

Tel. +64 9 259 1133
Fax +64 9 259 1122

United Kingdom

Black & Decker
210 Bath Road
Slough, Berkshire SL1 3YD

Tel. 01753 511234
Fax 01753 551155
Helpline 01753 574277