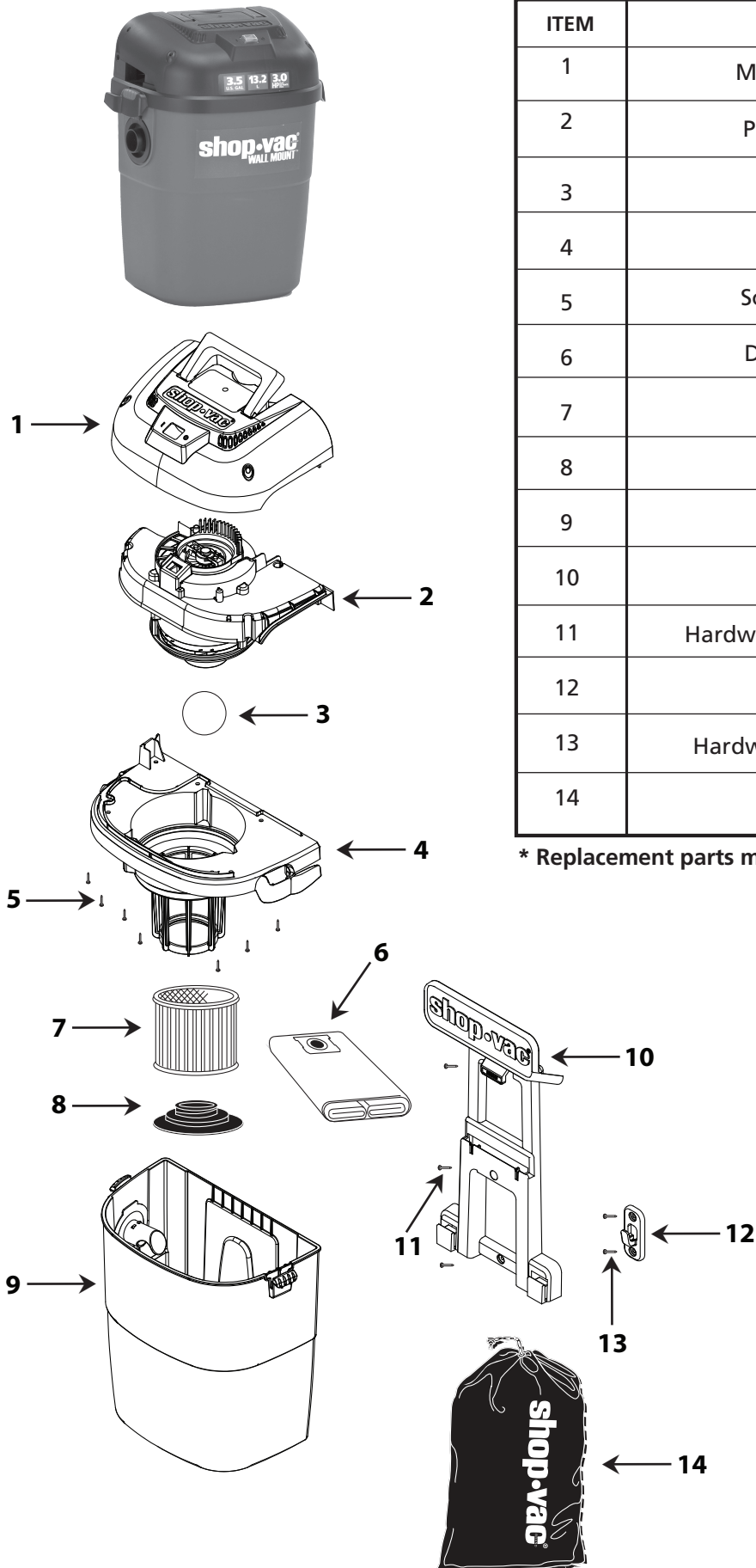


3HM Series

Model 3HM300A



ITEM	DESCRIPTION	PART NO.
1	Motor Cover Assembly	1944985
2	Power Unit Assembly	1944986
3	Ball Float	0081100
4	Lid Cage	4035310
5	Screw 10 x ¾" Trilobe	1516599
6	Disposable Filter Bag	91931
7	Cartridge Filter	90398
8	Filter Retainer	3183000
9	Tank Assembly	1944984
10	Wall Bracket	4035800
11	Hardware Package-Wall Bracket	4912496
12	Wall Hook	4035700
13	Hardware Package- Wall Hook	4200001
14	Tool Bag	0036000

* Replacement parts may differ from original equipment.