

This Owner's Manual is provided and hosted by [Appliance Factory Parts](#).



Shop Vac 5HM450 Owner's Manual

[Shop genuine replacement parts for Shop Vac 5HM450](#)



[Find Your Shop Vac Vacuum Cleaner Parts - Select From 498 Models](#)

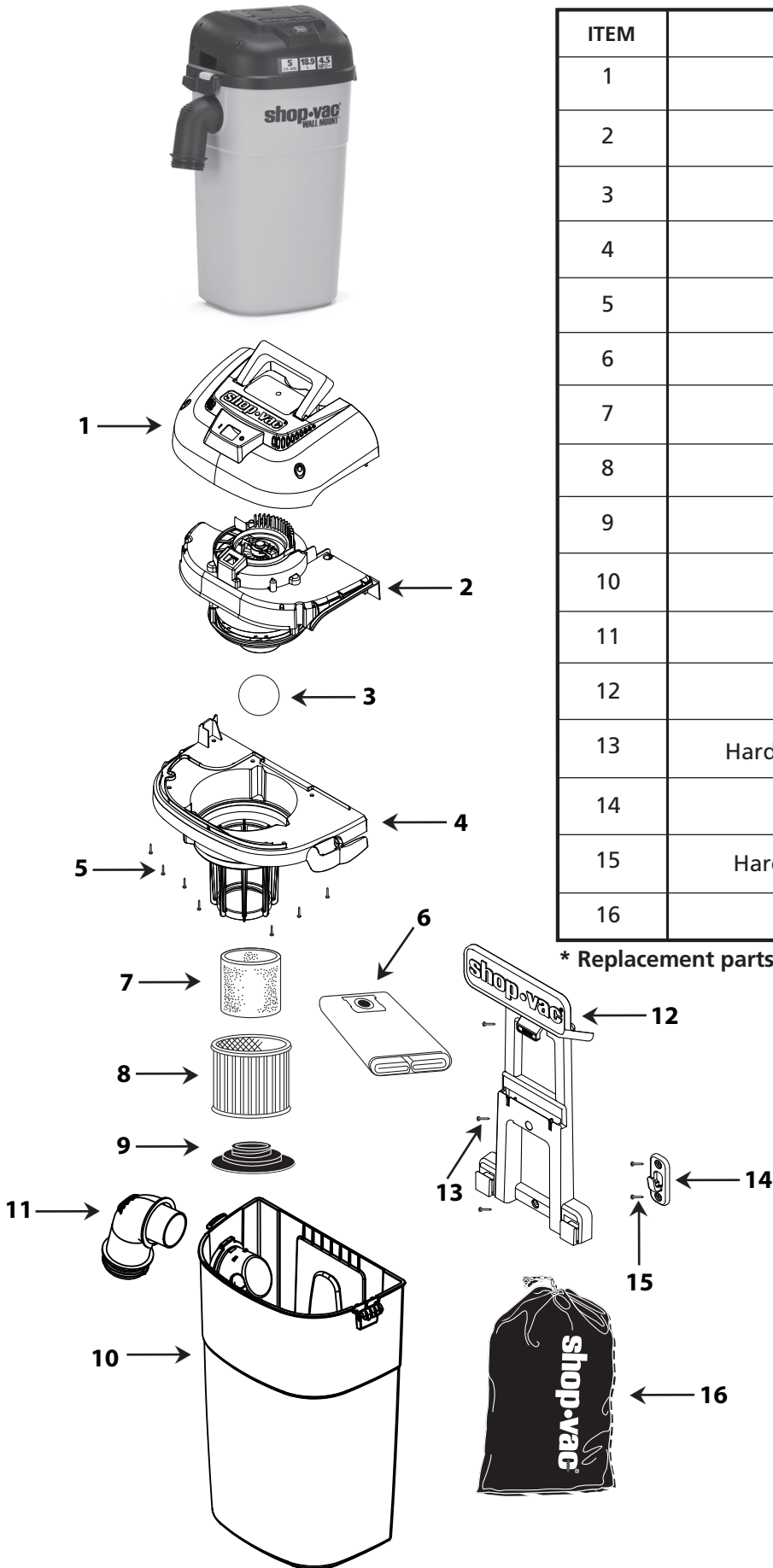
----- Manual continues below part list -----

Available Replacement Parts for Shop Vac 5HM450

3183000	FILTER RETAINER
1517699	Screw.
9052633	Foam Sleeve .
4390801	Elbow.
Sv-90512	hose
4035800	Wall Bracket
91932	Disposable Filter Bag

5HM Series

Model 5HM450



ITEM	DESCRIPTION	PART NO.
1	Motor Cover Assembly	1944991
2	Power Unit Assembly	1944992
3	Ball Float	0081100
4	Lid Cage	4035310
5	Screw 10 x 3/4" Trilobe	1516599
6	Disposable Filter Bag	91932
7	Foam Sleeve	90526
8	Cartridge Filter	90398
9	Filter Retainer	3183000
10	Tank Assembly	1944990
11	Tank Elbow	4390801
12	Wall Bracket	4035800
13	Hardware Package-Wall Bracket	4912496
14	Wall Hook	4035700
15	Hardware Package- Wall Hook	4200001
16	Tool Bag	0036000

* Replacement parts may differ from original equipment.