

This Owner's Manual is provided and hosted by [Appliance Factory Parts](#).



# Shop Vac EA16-SQ650 Owner's Manual

[Shop genuine replacement parts for Shop Vac  
EA16-SQ650](#)

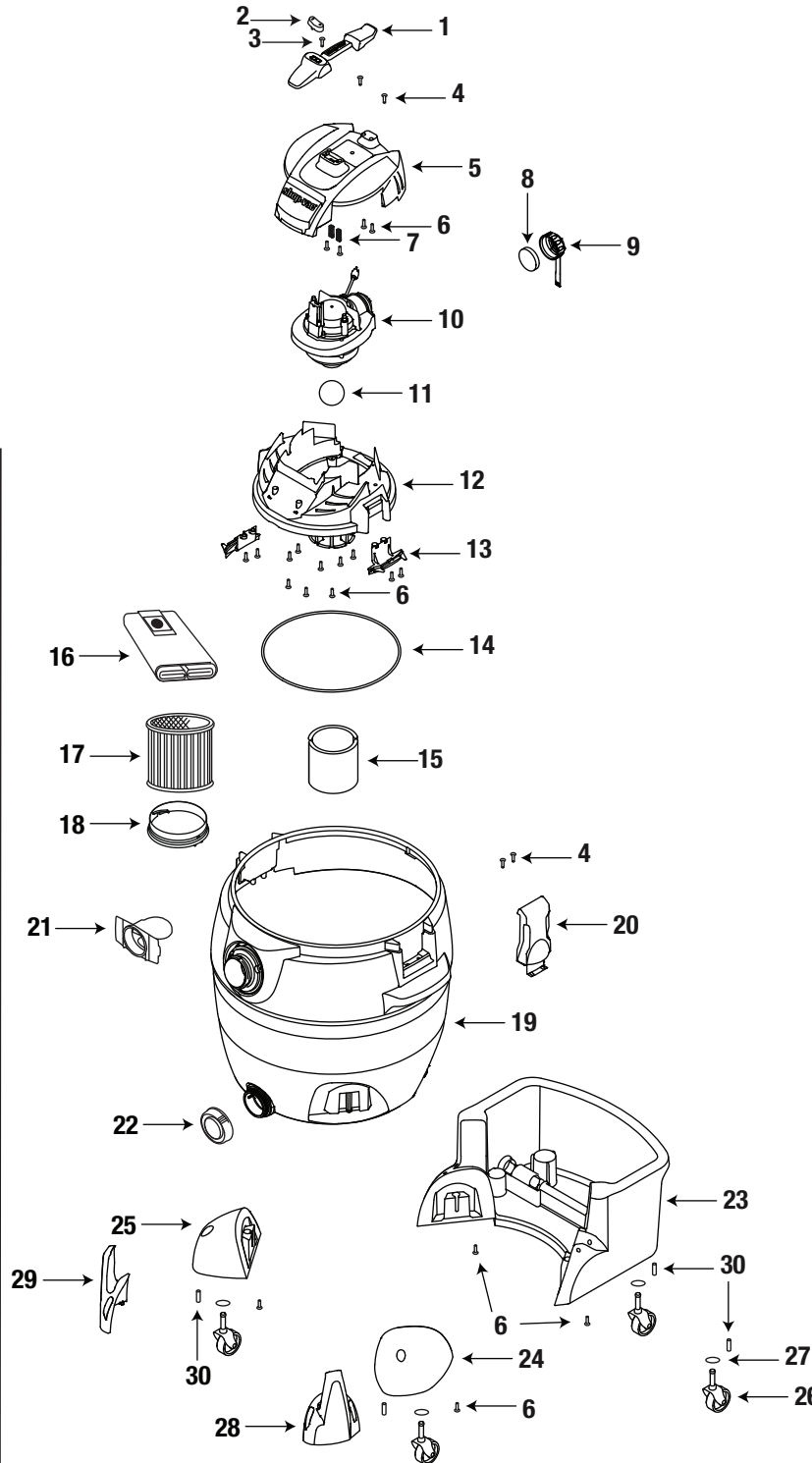


[Find Your Shop Vac Vacuum Cleaner Parts - Select From 487 Models](#)

----- Manual continues below -----



ITEM	DESCRIPTION	PART NO.
1	Handle (Includes #2, 3 & 7)	7630897
2	Switch Rocker	8230421
3	Screw KA40 x 15MM	2783205
4	Screw #10 Trilobe	1517799
5	Motor Cover Assembly	7631797
6	Screw 10 x 3/4" Trilobe, Twin Lead	1517699
7	Switch Button Extensions	7414258
8	Foam-Diffuser	1290530
9	Blower Port Cap (Include #8)	1945329
10	Power Unit Assembly (Includes #8 & 9)	8306797
11	Float	0081120
12	Lid Cage Assembly (Includes #13 & 14)	7632497
13	Lid Seal	7631950
14	Gasket	2780440
15	Foam Sleeve	90585
16	Filter Bag	90673
17	Cartridge Filter	90304
18	Filter Retainer	3008000
19	Tank Assembly (Includes #4, 20-22)	7391797
20	Tank Latch Assembly (Includes #4)	7630191
21	Inlet Deflector	7413120
22	Drain Cap	7446803
23	Rear Dolly Basket (Includes #26, 27 & 30)	7417631
24	Caster Foot A (Includes #30)	7431320
25	Caster Foot B (Includes #30)	7431370
26	Caster	6773900
27	Flat Washer	0704399
28	Hose Holder A	7632320
29	Hose Holder B	7632330
30	Retainer	8565750



\*Replacement parts may differ from original equipment.