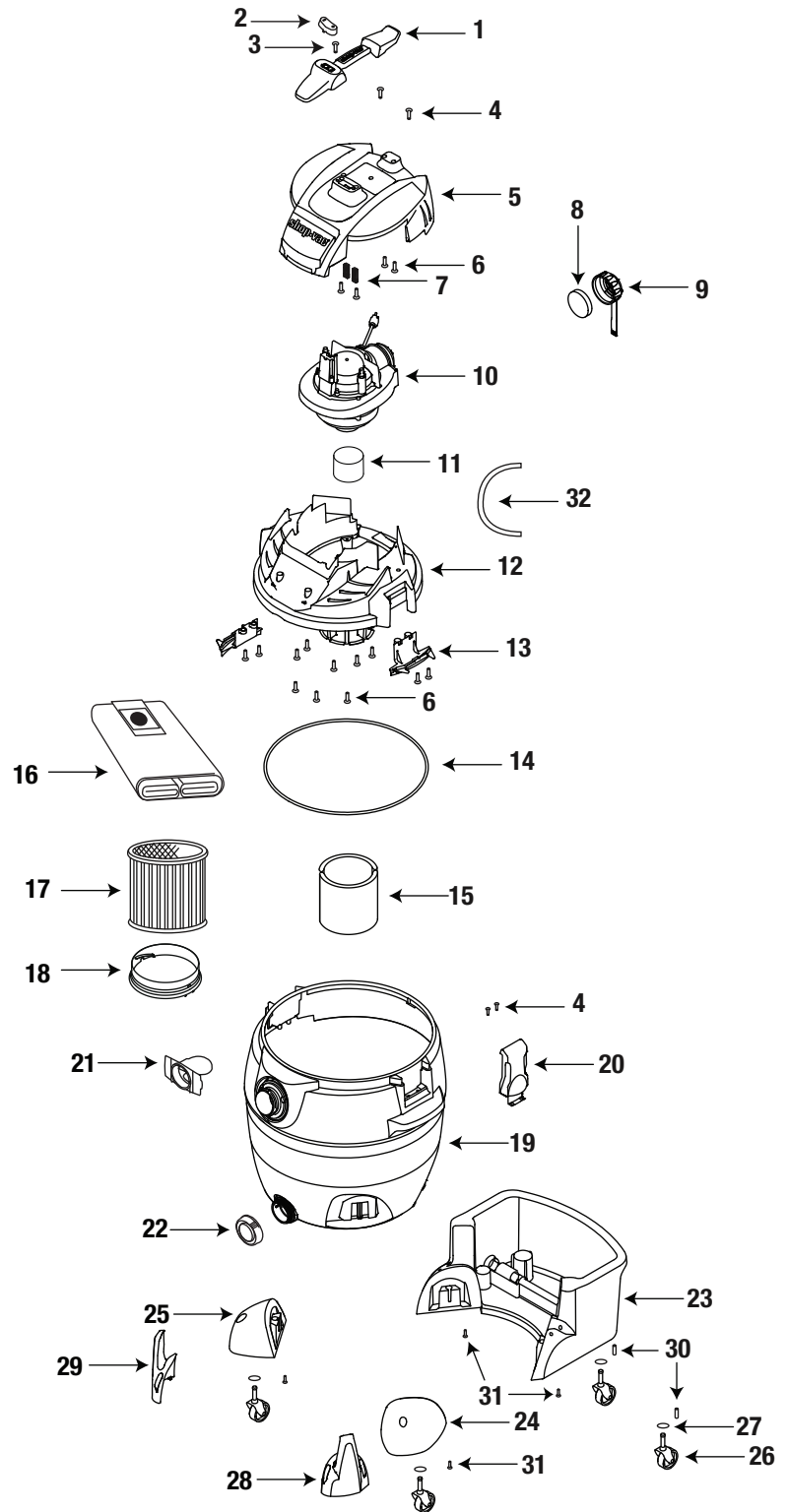


shop·vac®



ITEM	DESCRIPTION	PART NO.
1	Handle (Includes #2, 3 & 7)	7630897
2	Switch Rocker	8230421
3	Screw KA40 x 15MM	2783205
4	Screw #10 Trilobe	1517799
5	Motor Cover Assembly (Includes #1-3 & 7)	7632297
6	Screw 10 x 3/4" Trilobe, Twin Lead	1517699
7	Switch Button Extensions	7414258
8	Foam-Diffuser	1290530
9	Blower Port Cap (Include #8)	1945329
10	Power Unit Assembly (Includes #8 & 9)	8307897
11	Float	3545001
12	Lid Cage Assembly (Includes #13,14 & 32)	7632490
13	Lid Seal	7632150
14	Gasket	2780442
15	Foam Sleeve	90585
16	HE Filter Bag	90672
17	Cartridge Filter	90304
18	Filter Retainer	90672
19	Tank Assembly (Includes #4, 20-22)	7391997
20	Tank Latch Assembly (Includes #4)	7630191
21	Inlet Deflector	7413120
22	Drain Cap	7446803
23	Rear Dolly Basket (Includes #30)	7417710
24	Caster Foot A	8568000
25	Caster Foot B	8568010
26	Caster	6772200
27	Flat Washer	0704399
28	Hose Holder A	7632300
29	Hose Holder B	7632310
30	Retainer	8565500
31	Screw 10 x 3/4 SL Hx	1503999
32	Gasket	2780430



*Replacement parts may differ from original equipment.