

This Owner's Manual is provided and hosted by [Appliance Factory Parts](#).



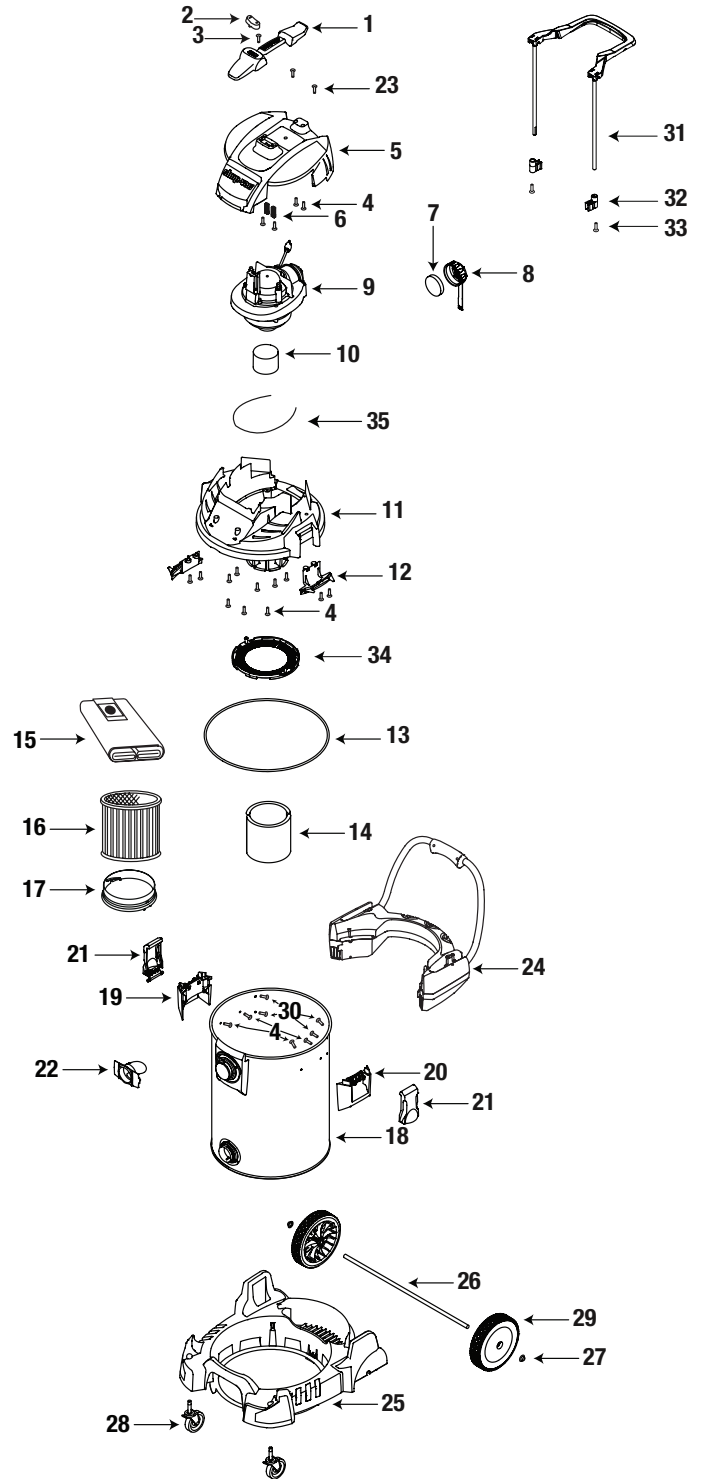
Shop Vac EA16-SQ650F Owner's Manual

[Shop genuine replacement parts for Shop Vac
EA16-SQ650F](#)



[Find Your Shop Vac Vacuum Cleaner Parts - Select From 487 Models](#)

----- Manual continues below -----



ITEM	DESCRIPTION	PART NO.
1	Handle (Includes 2, 3 & 6)	7630897
2	Switch Rocker	8230421
3	Screw KA40 x 15MM	2783205
4	Screw 10 x 3/4 Trilobe twin lead	1517699
5	Motor Cover Assembly (Includes 1-4)	1945619
6	Switch Button Extensions	7414258
7	Foam Diffuser	1290530
8	Blower Port Cap (Includes 7)	1945188
9	Power Unit Assembly (Includes 7 & 8)	8306897
10	Float	3545001
11	Lid Cage Assembly (Includes 4, 12 & 13)	7632496
12	Lid Seal	7631950
13	Gasket	2780440
14	Foam Sleeve	90585
15	Filter Bag	90673
16	Cartridge Filter	90307
17	Filter Retainer	3008010
18	Tank Assembly (Includes 4, 19-22)	5142297
19	Hinge Mount Right	7632020
20	Hinge Mount Left	7632000
21	Tank Latch Assembly	1945605
22	Inlet Deflector	7413120
23	Screw	1517799
24	Handle Mount Accy Holder	7631037
25	Dolly (Includes 26-29)	7631611
26	Axle	2443100
27	Push Nut	4300299
28	Caster	6775200
29	Wheel / Hub Cap Assembly	7631231
30	1/4 X 3/4 LG PH Truss AB Screw	1514699
31	Filter Cleaner Handle (Includes 32 & 33)	1945620
32	Brush Retainer	7631510
33	Screw	0810999
34	Filter Cleaner Brush	7631547
35	Gasket	2780430

*Replacement parts may differ from original equipment.