

This Owner's Manual is provided and hosted by [Appliance Factory Parts](#).



Shop Vac SSP16-500A Owner's Manual

[Shop genuine replacement parts for Shop Vac
SSP16-500A](#)



[Find Your Shop Vac Vacuum Cleaner Parts - Select From 498 Models](#)

----- Manual continues below part list -----

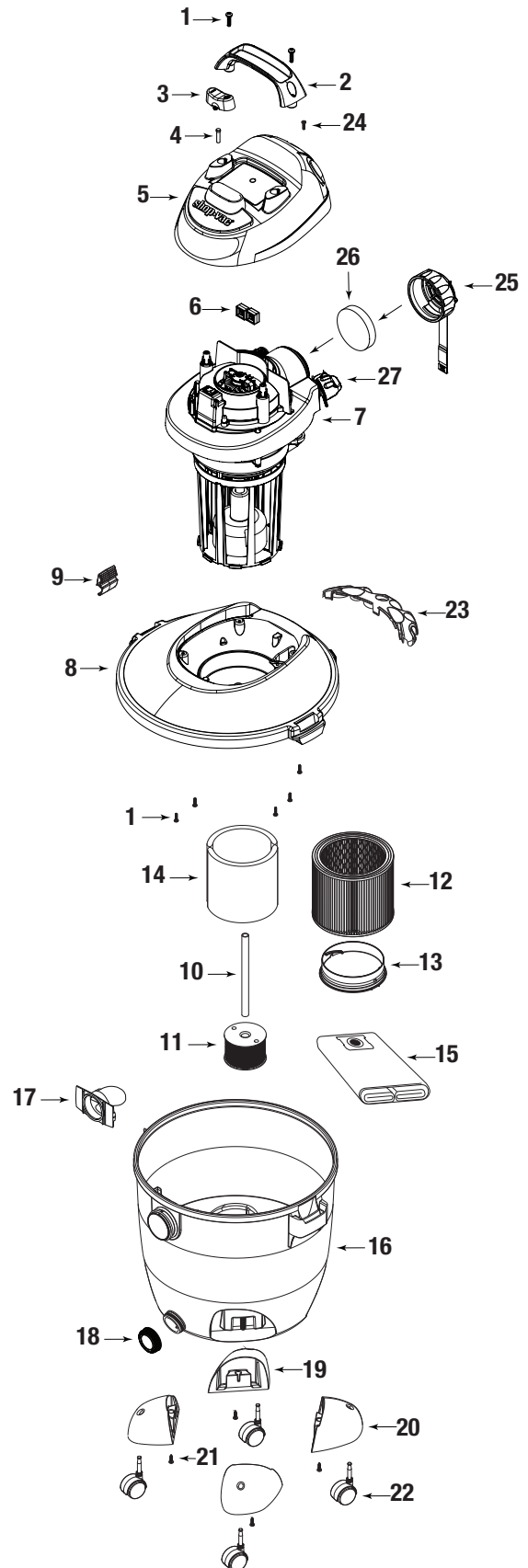
Available Replacement Parts for Shop Vac SSP16-500A

| | |
|--|--|
| 9030433 | FILTER CARTRIDGE FOR VACUUM |
| 6774200 | Caster, each [READ ADD'L INFO] |
| 3008000 | FILTER RETAINER |
| 7413120 | INLET DEFLECTOR |
| 1503999 | screw |
| SVR-1800 | Filter, Foam Sleeve |
| 1517699 | Screw. |
| 7444500 | Lid Latch. |
| 8412000 | Tool Holder. |
| 2723107 | PICKUP TUBE |
| 7412250 | PICK UP CAGE ASSY |
| 8568010 and SV-8568000 | CASTER FOOT B AND CASTER FOOT A, Black |
| 1290530 | Foam-Diffuser |
| 7446803 | Drain Cap |
| 3756151 | Handle |
| 7414254 | Switch Rocker Extension |

shop·vac[®]

Mod. SSP16-500A

SSP16 SERIES



| ITEM | DESCRIPTION | PART NO. |
|------|-------------------------------------|----------|
| 1 | Screw #10 x 3/4" Trilobe, Twin Lead | 1517699 |
| 2 | Handle | 3756151 |
| 3 | Switch Rocker | 8230421 |
| 4 | Switch Rocker Actuator | 2431215 |
| 5 | Motor Cover | 2433790 |
| 6 | Switch Rocker Extension | 7414254 |
| 7 | Power Unit Assembly | 8310297 |
| 8 | Lid Cage | 3188162 |
| 9 | Lid Latch | 7444500 |
| 10 | Pick Up Tube | 2723107 |
| 11 | Pick Up Cage Assembly | 7412250 |
| 12 | Cartridge Filter | 90304 |
| 13 | Filter Retainer | 3008000 |
| 14 | Foam Sleeve | 90585 |
| 15 | Disposable Filter Bag | 90662 |
| 16 | Tank Assembly | 1027397 |
| 17 | Inlet Deflector | 7413120 |
| 18 | Drain Cover | 7446803 |
| 19 | Caster Foot A | 8568000 |
| 20 | Caster Foot B | 8568010 |
| 21 | Screw 10 x 3/4" SL HX Head | 1503999 |
| 22 | Caster | 6774200 |
| 23 | Accessory Holder | 8412000 |
| 24 | Screw KA 40 x 15mm | 2783205 |
| 25 | Blower Port Cap (Includes 26) | 1945188 |
| 26 | Foam Diffuser | 1290530 |
| 27 | Outlet Fitting Cap | 1945023 |

*Replacement parts may differ from original equipment.