

This Owner's Manual is provided and hosted by [Appliance Factory Parts](#).



# Shop Vac SSP16-500A Walmart Owner's Manual

[Shop genuine replacement parts for Shop Vac  
SSP16-500A Walmart](#)



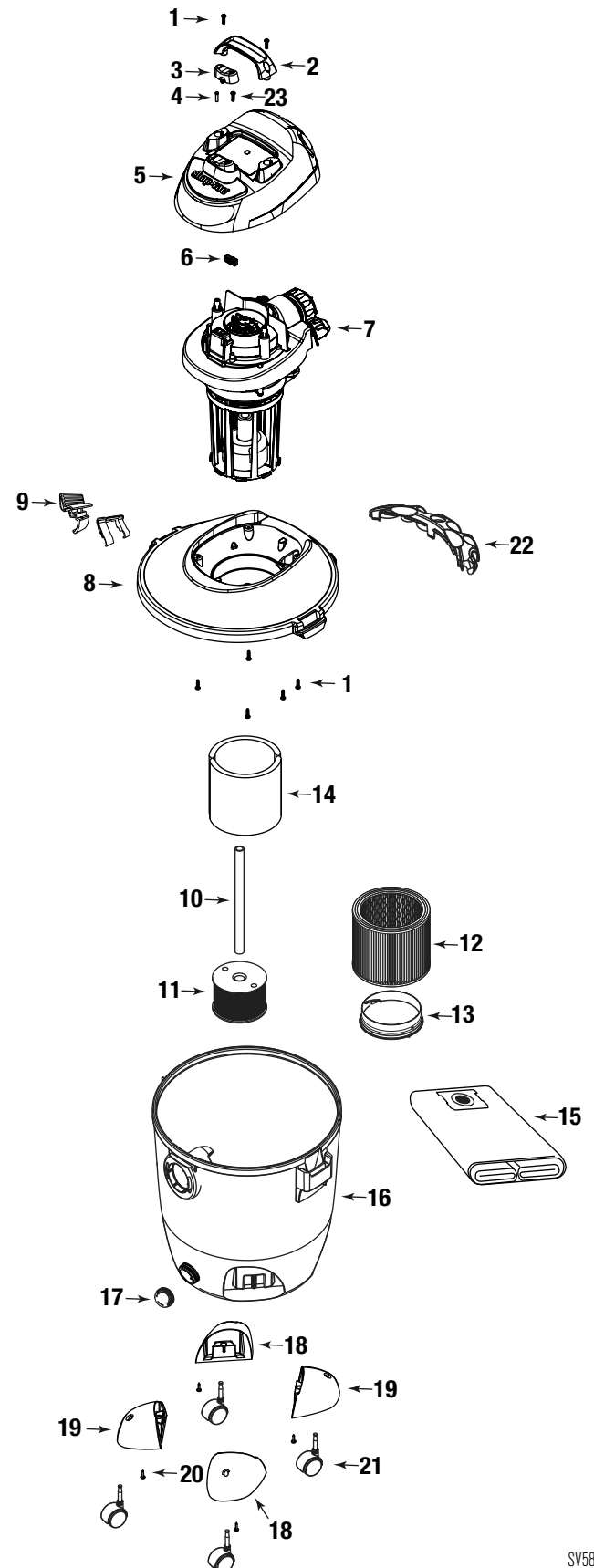
[Find Your Shop Vac Vacuum Cleaner Parts - Select From 487 Models](#)

----- Manual continues below -----

# shop·vac®

## Mod. SSP16-500A

# SERIES SSP



ITEM	DESCRIPTION	PART NO.
1	Screw #10 x 3/4" Trilobe, Twin Lead	1517699
2	Handle	3756155
3	Switch Rocker	8230422
4	Switch Rocker Actuator	2431215
5	Motor Cover (Includes #3, 4, 6 & 23)	2433790
6	Switch Rocker Extension	7414254
7	Power Unit Assembly	8310297
8	Lid Cage	3188165
9	Lid Latch (QTY 2)	1945462
10	Pick Up Tube	2723113
11	Pick Up Cage Assembly	7412250
12	Cartridge Filter	90304
13	Filter Retainer	3008000
14	Foam Sleeve	90585
15	Disposable Filter Bag	90662
16	Tank Assembly	1027397
17	Drain Cover	7446803
18	Caster Foot A	8568000
19	Caster Foot B	8568010
20	Screw 10 x 3/4" SL HX Head	1503999
21	Caster	6774200
22	Accessory Holder	8412000
23	Screw	2783205

\*Replacement parts may differ from original equipment.