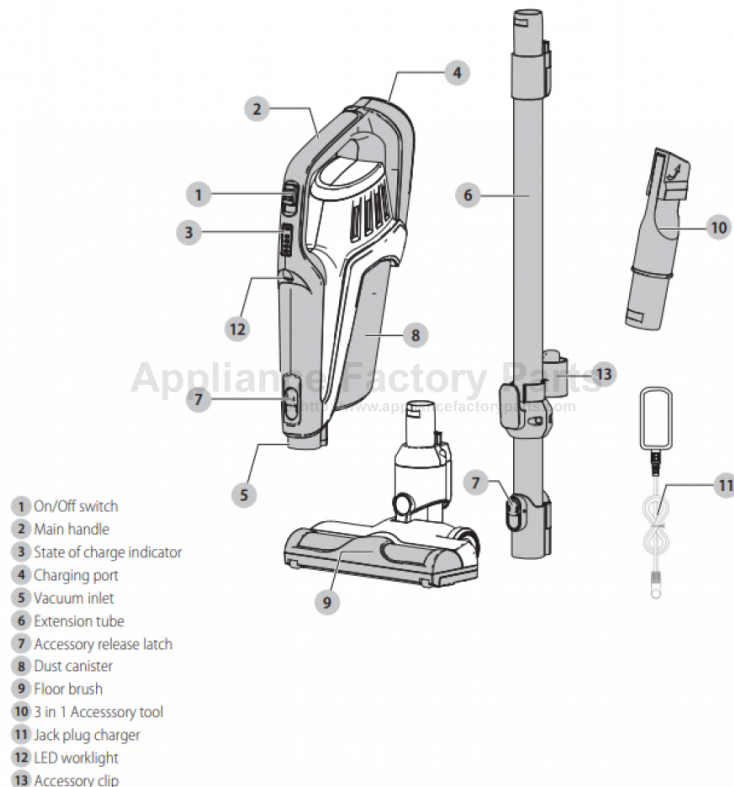


# Black & Decker HFEK520J Owner's Manual

[Shop genuine replacement parts for Black & Decker HFEK520J](#)

Fig. A



[Find Your Black & Decker Vacuum Cleaner Parts - Select From 339 Models](#)

----- Manual continues below -----

# **BLACK+** **DECKER**<sup>TM</sup>

**INSTRUCTION MANUAL**  
**MODE D'EMPLOI**  
**MANUAL DE INSTRUCCIONES**

**3 IN 1 CORDLESS VACUUM**  
**ASPIRATEUR-BALAI 3 EN 1 SANS FIL**  
**ASPIRADORA SIN CABLE 3 EN 1**

**HFEK520J**  
**HFEK620J**

**Please read before returning this product for any reason.**

**À lire avant de retourner ce produit pour quelque raison que ce soit.**

**Lea el manual antes de devolver este producto por cualquier motivo.**

---

English ( <i>original instructions</i> )	1
Français ( <i>traduction de la notice d'instructions originale</i> )	9
Español ( <i>traducido de las instrucciones originales</i> )	18

---

**Thank you for choosing BLACK+DECKER!**

**If you have a question or experience a problem with your BLACK+DECKER purchase, go to: <http://www.blackanddecker.com/instantanswers>**

**If you can't find the answer or do not have access to the Internet, call 1-800-544-6986 from 8 a.m. to 5 p.m. EST Mon. - Fri. to speak with an agent. Please have the CATALOG NUMBER available when you call.**

**To register your new product, visit [www.BlackandDecker.com/NewOwner](http://www.BlackandDecker.com/NewOwner)**

**Consulter le site Web [www.BlackandDecker.com/NewOwner](http://www.BlackandDecker.com/NewOwner) pour enregistrer votre nouveau produit.**

**Visite [www.BlackandDecker.com/NewOwner](http://www.BlackandDecker.com/NewOwner) para registrar su nuevo producto.**

## DEFINITIONS: SAFETY ALERT SYMBOLS AND WORDS

This instruction manual uses the following safety alert symbols and words to alert you to hazardous situations and your risk of personal injury or property damage.

**!** **DANGER:** Indicates an imminently hazardous situation which, if not avoided, will result in death or serious injury.

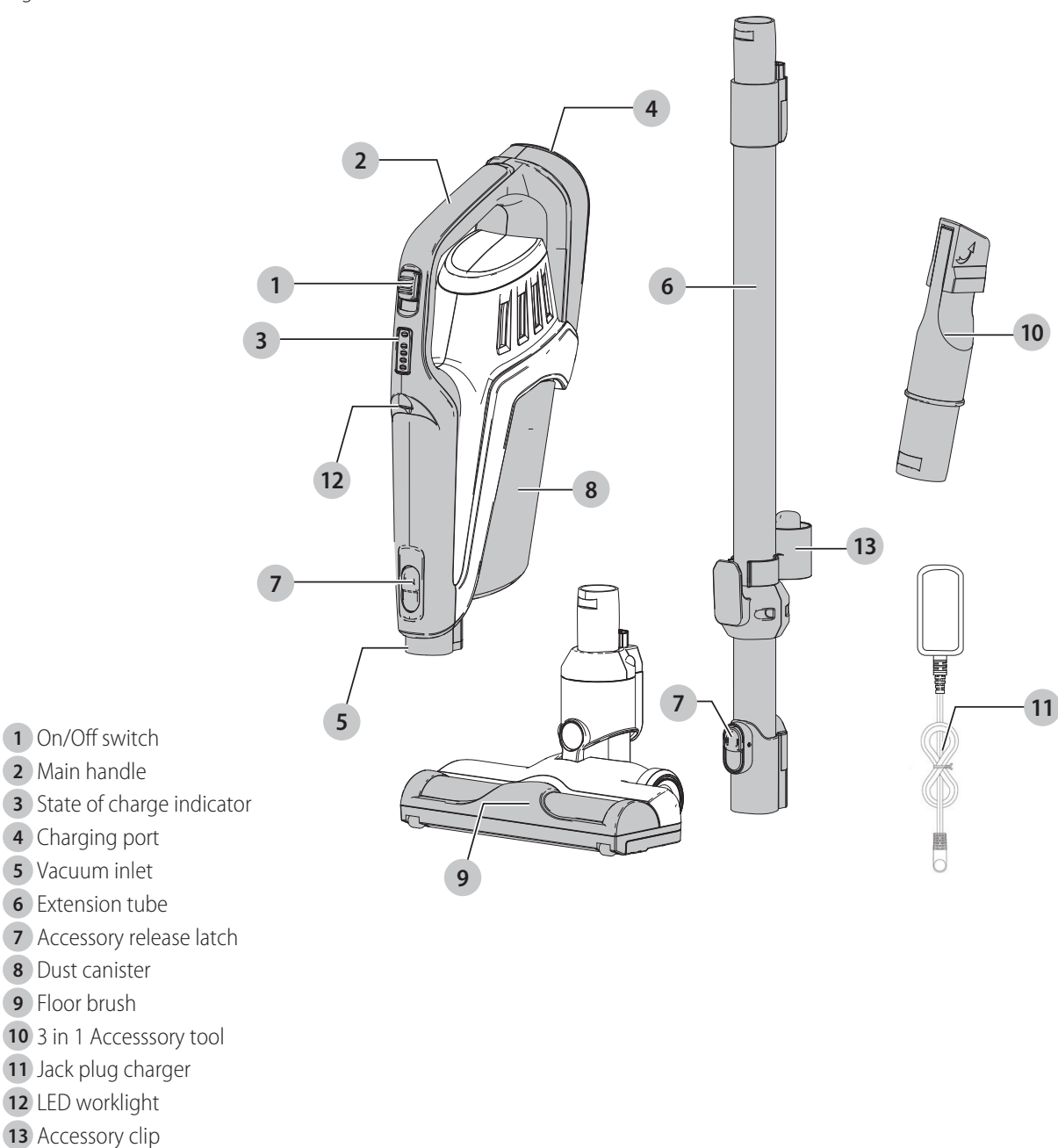
**!** **WARNING:** Indicates a potentially hazardous situation which, if not avoided, could result in death or serious injury.


**!** **CAUTION:** Indicates a potentially hazardous situation which, if not avoided, may result in minor or moderate injury.

**!** (Used without word) Indicates a safety related message.

**NOTICE:** Indicates a practice not related to personal injury which, if not avoided, may result in property damage.

Fig. A



 **WARNING!** Read all safety warnings and all instructions. Failure to follow the warnings and instructions may result in electric shock, fire and/or serious injury.


 **WARNING:** To reduce the risk of injury, read the instruction manual.

## IMPORTANT SAFETY INSTRUCTIONS


When using an electrical appliances, basic precautions should always be followed, including the following:

### READ ALL INSTRUCTIONS BEFORE USING THIS APPLIANCE.

 **WARNING:** Read all safety warnings and all instructions. Failure to follow the warnings and instructions listed below may result in electric shock, fire and/or serious injury.

 **WARNING:** Some household dust contains chemicals known to the State of California to cause cancer, birth defects or other reproductive harm such as asbestos and lead in lead based paint.

 **WARNING:** Do not attempt to modify or repair the appliance.

 **WARNING:** Do not charge the battery at ambient temperatures below 39 °F (4 °C) or above 104 °F (40 °C). Follow all charging instructions and do not charge the appliance outside of the temperature range specified in the instructions. Charging improperly or at temperatures outside of the specified range may damage the battery and increase risk of fire.

 **WARNING:** To reduce the risk of fire, electrical shock or injury:

- Shock Hazard. To protect against risk of electrical shock, do not put charging base in water or other liquid.
- Do not allow to be used as a toy. Close attention is necessary when used by or near children.
- Use only as described in this manual. Use only manufacturer's recommended attachments.
- Do not use with damaged cord or plug. If appliance is not working as it should, has been dropped, damaged, left outdoors, or dropped into water, return it to a service center.

- Do not pull or carry by cord, use cord as a handle, close a door on cord, or pull cord around sharp edges or corners. Do not run appliance over cord. Keep cord away from heated surfaces.
- Do not unplug by pulling on cord. To unplug, grasp the plug, not the cord.
- Do not handle charger, including charger plug, and charger terminals with wet hands.
- Do not put any object into openings. Do not use with any opening blocked; keep free of dust, lint, hair, and anything that may reduce air flow.
- Keep hair, loose clothing, fingers, and all parts of body away from openings and moving parts.
- Use extra care when cleaning on stairs.
- Do not use to pick up flammable or combustible liquids, such as gasoline, or use in areas where they may be present.
- Do not pick up anything that is burning or smoking, such as cigarettes, matches, or hot ashes.
- Do not use without dust bag and/or filters in place.
- Do not charge the unit outdoors.
- Use only the charger supplied by the manufacturer to recharge.
- Do not incinerate the appliance even if it is severely damaged. The batteries can explode in a fire.
- This appliance is intended for household use only and not for commercial or industrial use.
- Do not allow the cord to hang over the edge of a table or counter or touch hot surfaces. The unit should be placed or mounted away from sinks and hot surfaces.
- Plug the charger directly into an electrical outlet.
- Use the charger only in a standard electrical outlet (120V/60Hz).
- Unplug the charger from outlet before any routine cleaning or maintenance.
- Do not look into the air vents when the unit is switched on, as sometimes there is a possibility of small debris being discharged from the air vents, especially after cleaning / replacement of the filters as debris inside the unit can be disturbed.
- Leaks from battery cells can occur under extreme conditions. If the liquid, which is a 20-35% solution of potassium hydroxide, gets on the skin (1) wash quickly with soap and water or (2) neutralize with a mild acid such as lemon juice or vinegar. If the liquid gets into the eyes, flush them immediately with clean water for a minimum of 10 minutes. Seek medical attention.

### ADDITIONAL SAFETY WARNINGS

- Prevent unintentional starting. Ensure the switch is in the off-position before picking up or carrying the appliance.** Carrying the appliance with your finger on the switch or energizing appliance that have the switch on invites accidents.
- Recharge only with the charger specified by the manufacturer.** A charger that is suitable for one type of battery pack may create a risk of fire when used with another battery pack.
- Do not use a battery pack or appliance that is damaged or modified.** Damaged or modified

batteries may exhibit unpredictable behavior resulting in fire, explosion or risk of injury.

- d) **Do not expose a battery pack or appliance to fire or excessive temperature.** Exposure to fire or temperature above 266 °F (130 °C) may cause explosion.
- e) **Have servicing performed by a qualified repair person using only identical replacement parts.** This will ensure that the safety of the product is maintained.
- f) Only for use with S010QU2300040 and S014CU2720050 chargers.

# SAVE THESE INSTRUCTIONS

## SYMBOLS

The label on your tool may include the following symbols. The symbols and their definitions are as follows:

- V ..... volts
- A ..... amperes
- Hz ..... hertz
- W ..... watts
- min ..... minutes
- ~ or AC ..... alternating current
- = = or DC ..... direct current
- n<sub>0</sub> ..... no load speed
- ⓘ ..... Class I Construction  
(grounded)
- ⊖ ..... earthing terminal
- ⚠ ..... safety alert symbol
- ..... Class II Construction  
(double insulated)
- .../min or rpm. .... revolutions or reciprocation per minute
- Wh ..... Watt Hours

## ASSEMBLY

**⚠ WARNING:** Do not attempt to modify or repair the appliance.

### Intended use

Your BLACK+DECKER lithium ion cordless 3 in 1 stick vacuum cleaner has been designed for light, dry vacuum cleaning purposes. This appliance is intended for household use only.

### Assembly (Fig. B, C)

1. Align the top of the extension tube 6 with the vacuum inlet 5 as shown in Fig. B.
2. Push the extension tube 6 onto the vacuum inlet 5 so it locks into position.
3. Align the bottom of the extension tube 6 with the floor brush 9 as shown in Fig. C.
4. Push the bottom of the extension tube 6 onto the floor brush 9 so it locks into position.

5. To remove an accessory, press the accessory release latch 7 located on the vacuum or extension tube and gently pull the connected accessory off.

**⚠ WARNING:** When not in use position the unit with the rear of the vacuum facing a wall so that any inadvertent fall of the unit would contact a wall and not people or pets.

Fig. B

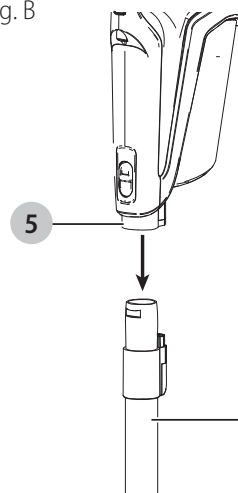
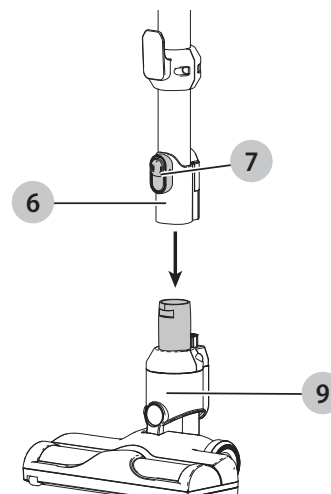


Fig. C



### Charging the battery (Fig. D)

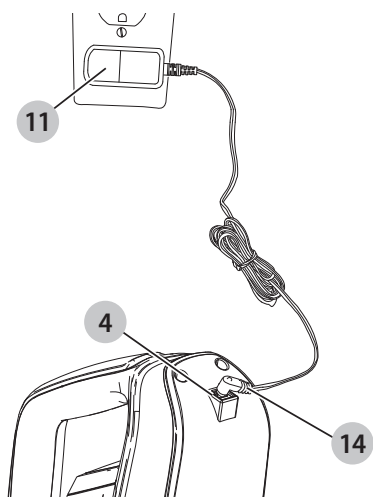
**⚠ WARNING:** For use only with the supplied charger.

From new, the rechargeable cells of the product need a minimum charge time of 5 hours to ensure full power.

- Fig. D - Plug the jack plug 14 of the jack plug charger 11 into the charging port 4 of the vacuum. Plug the charger into any standard 120 Volt 60 Hz electrical outlet.

## ENGLISH

Fig. D



- While charging, the charger may get warm, this is perfectly normal and safe. It is safe to leave the appliance connected to the charger indefinitely. The charger automatically reduces power consumption when charging is complete.

**⚠ WARNING:** Do not charge the battery at ambient temperatures below 39 °F (4 °C) or above 104 °F (40 °C). Follow all charging instructions and do not charge the appliance outside of the temperature range specified in the instructions.

## USE

This vacuum cleaner can be used in one of four ways.

- With the extension tube **6** and the floor brush **9** . (Fig. E)
- With the floor brush **9** and the vacuum **15** . (Fig. F)
- With the extension tube **6** and the 2 in 1 Accessory tool **10** . (Fig. G)
- With the 2 in 1 Accessory tool **10** and the vacuum **14** . (Fig. H)

Fig. E

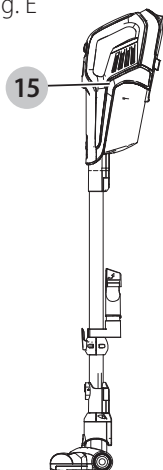


Fig. F

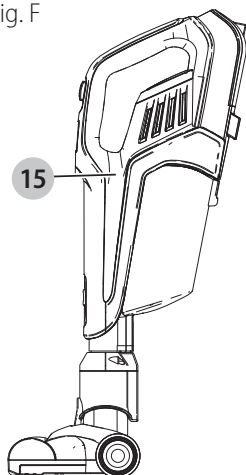


Fig. G

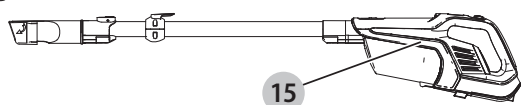
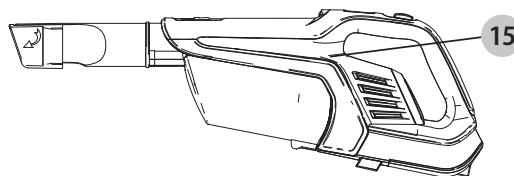


Fig. H



## Switching ON and OFF (Fig. I)

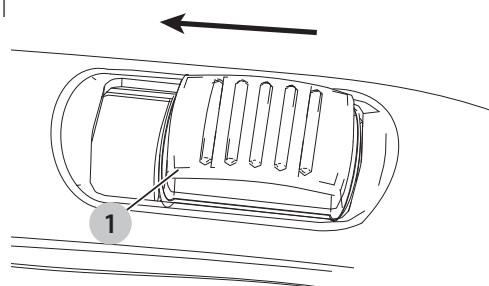
- To switch ON, slide the On/Off switch **1** forward to the "I" position.
- For increased power, slide the On/Off switch **1** forward to the "II" position.

**NOTE:** The floor brush **9** will power on when it is attached to the vacuum or extension tube. The LED worklight **12** will illuminate whenever the unit is switched ON.

**NOTE:** The state of charge indicator LEDs **3** will illuminate while the vacuum is ON.

- To switch OFF, slide the On/Off switch **1** to the "O" position.
- Return the product to the charger immediately after use so that it will be ready and fully charged for the next use. Ensure that the product is fully engaged with the charger plug.

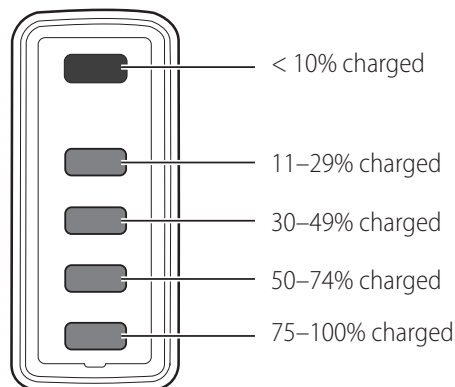
Fig. I



## State of charge indicator

This appliance includes a state of charge indicator **3** which consists of four green and one red LED lights that indicate the level of charge remaining in the battery. This feature is only activated when the vacuum is powered on.

The state of charge indicator is an indication of approximate levels of charge remaining in the battery pack according to the following indicators:



The LED battery indicator displays the remaining charge and warns you when the battery is low. The red LED will flash continuously when the unit is nearly out of charge. If the red LED flashes continuously when the switch is turned to the

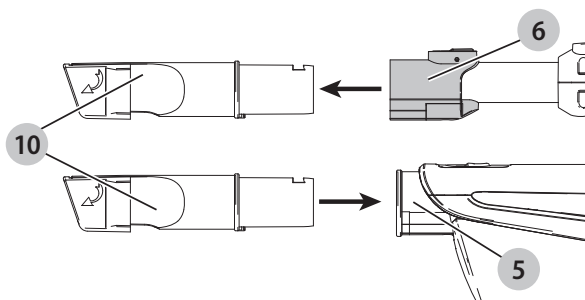
ON position, plug the jack plug **14** of the jack plug charger **11** into the charging port **4** of the vacuum. Plug the charger into any standard 120 Volt 60 Hz electrical outlet.

**NOTE:** The state of charge indicator is only an indication of the charge left on the battery. It does not indicate tool functionality and is subject to variation based on product components, temperature and end-user application.

### Using the 3 in 1 Accessory tool (Fig. J)

- The 3-in-1 accessory tool **10** has two configurations.
  - Brush mode.
  - Small crevice mode.
- The 3-in-1 accessory tool **10** can be fitted either directly to the extension tube **6** or to the vacuum inlet **5** as shown in Fig. J.
- Align the top of the 3-in-1 accessory tool **10** with the vacuum inlet **5** or extension tube **6** and push into place so it locks into position as shown in Fig. J.
- The flat nozzle can be used to clean the wall corner, stairs, furniture crevices, and household appliance cooling fins.
- The combination of a flat nozzle with a brush can be used to clean the furniture, curtains, lamps and lanterns.

Fig. J



### Cleaning and emptying the vacuum

**⚠ WARNING:** *Projectile/Respiratory Hazard: Never use the vac without its filter.*

**NOTE:** The filter is re-usable, do not confuse it with a disposable dust bag, and do not throw it away when the product is emptied. We recommend that you replace the filter every 6–9 months depending on frequency of use.

There are two methods of cleaning the canister, a quick empty method and a thorough clean method.

#### To empty the dust canister (Fig. K, L, M, O)

- Pull back on the dust canister release button **16** to release and remove the dust canister **8** from the vacuum **15** as shown in Fig. K.
- Use your index finger and thumb to pinch the filter housing tabs **17** and lift the filter housing **18** from the dust canister as shown in Fig. L.
 

**NOTE:** The filter housing fits snugly in the dust canister and may be difficult to remove at first.
- Place the dust canister over a trash can and empty the dust canister.

- Install the filter housing into the dust canister **8** ensuring the dust canister slots **19** align with the filter housing tabs **20** as shown in Fig. M.
- Install the dust canister onto the vacuum, until it “clicks” firmly into position.
 

**NOTE:** Ensure the dust port **21** is placed towards the main handle **2** of the vacuum and the dust canister release button **16** is facing away from the vacuum **15** as shown in Fig O.

Fig. K

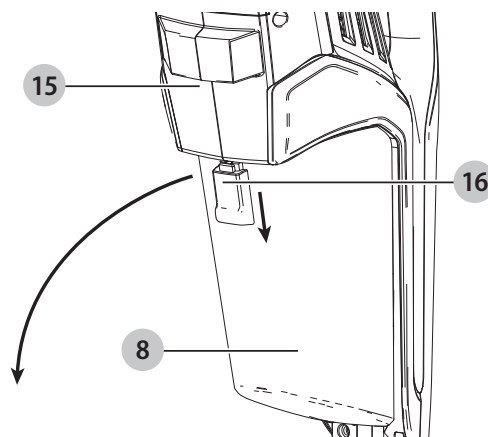


Fig. L

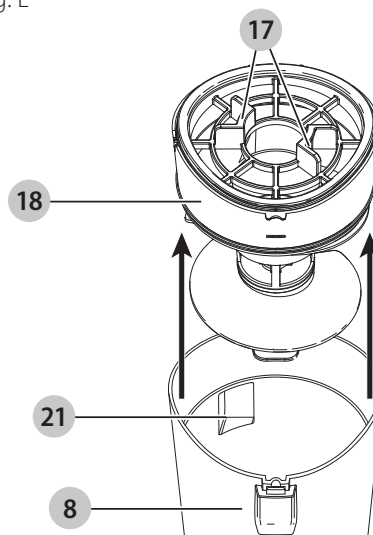


Fig. M

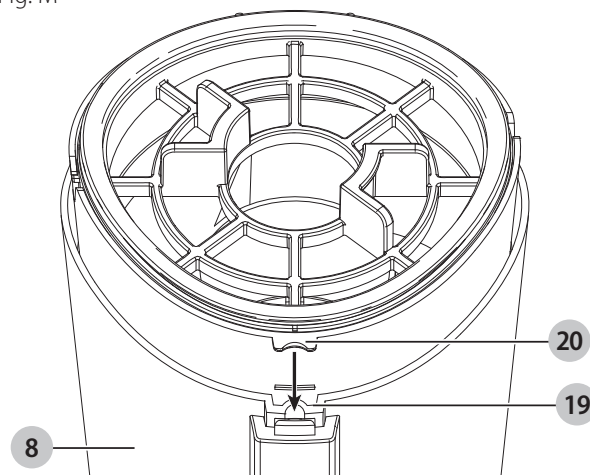
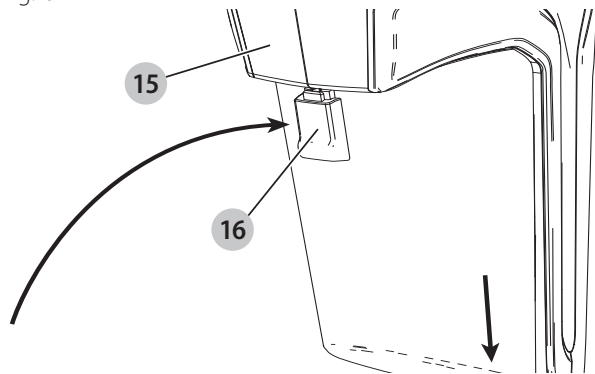


Fig. O



**Cleaning the filters (Fig. K, L, O, P - R)**

- Pull back on the dust canister release button **16** to release and remove the dust canister **8** from the vacuum **15** as shown in Fig. K.
- Use your index finger and thumb to pinch the filter housing tabs **17** and lift the filter housing **18** from the dust canister as shown in Fig. L.
- Once the filter housing is removed from the dust canister, use your index finger and thumb to pinch the filter housing tabs **17** and rotate the filter **22** counter-clockwise and remove it from filter housing as shown in Fig. P.
- Remove the foam filter **23** from the filter housing as shown in Fig. Q.
- Shake or lightly brush any loose dust off of the foam filter **23** and filter **22**.
- Rinse out the dust canister **8** with warm soapy water.
- Wash the filters with warm soapy water.
- Ensure the filters are completely dry before refitting the filters into the filter housing **18**.
- Refit the clean and dry foam filter **23** into the filter housing **18**.
- Refit the clean and dry filter **22** into the filter housing **18** by aligning the filter locks **24**, located on the sides of the filter, with the filter housing slots **25**, located on the sides of the filter housing, and turn the filter clockwise until it locks firmly into position as shown in Fig. R.
- Install the filter housing into the dust canister **8** ensuring the dust canister slots **19** align with the filter housing tabs **20** as shown in Fig. M.
- Install the dust canister onto the vacuum, until it “clicks” firmly into position.

**NOTE:** Ensure the dust port **21** is placed towards the main handle **2** of the vacuum and the dust canister release button **15** is facing away from the vacuum **16** as shown in Fig O.

**IMPORTANT:** Maximum dust collection will only be obtained with clean filters and an empty dust canister. If dust begins to fall back out of the product after it is switched off, this indicates that the dust canister is full and requires emptying.

- Wash the filters regularly using warm, soapy water and ensure that it is completely dry before using again. The cleaner the filter is, the better the product will perform.

- It is very important that the filters are completely dry and correctly in position before use.

Fig. P

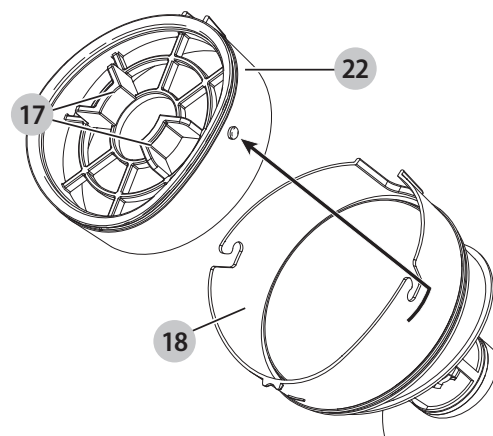


Fig. Q

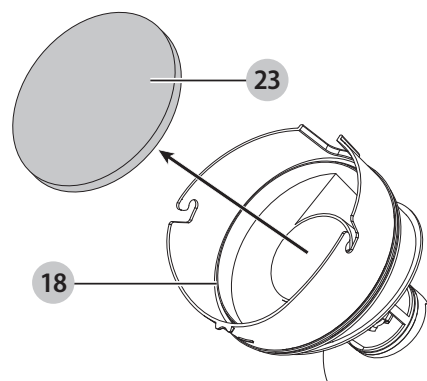
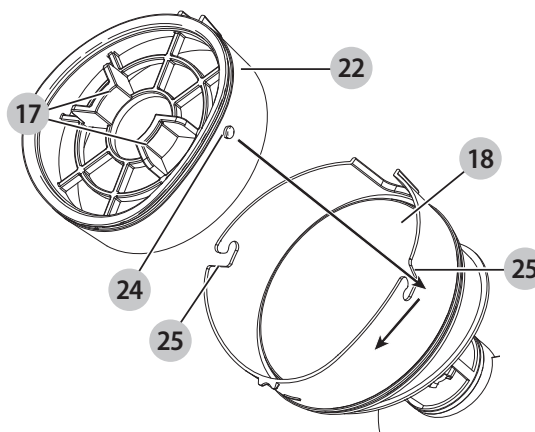


Fig. R



**Removing and cleaning the rotary brushes (Fig. S, T, U, V, W)**

**CAUTION:** To reduce the risk of injury from moving parts, disconnect the floor brush from the vacuum before cleaning or servicing.

- To remove the rotary brush **26** from the floor brush **9** use a coin or straight screwdriver to rotate the lock **27** on the lock plate **28** to the unlocked position **29** as shown in Fig. S.
- Remove the lock plate **28**.
- Lift the rotary brush up and slide the drive belt **31** off to the side as shown in Fig. T. The rotary brush **26** can now be removed.

**NOTE:** The end pieces **32** are also removable allowing you to clear the brushes of any hair or other debris that may have accumulated as shown in Fig. U.

- Once the rotary brush has been cleaned, reinstall the rotary brush into the floor brush **9**.
- Slide the drive belt **31** onto the toothed gear **33** on the rotary brush as shown in Fig. V.
- Install the lock plate **28** onto the floor brush. Insert the retaining bar **34** into slot **35** on the floor brush **9** shown in Fig. W.
- Use a coin or straight screwdriver to rotate the lock **27** on the lock plate **28** to the locked position **36** as shown in Fig. W.

Fig. S

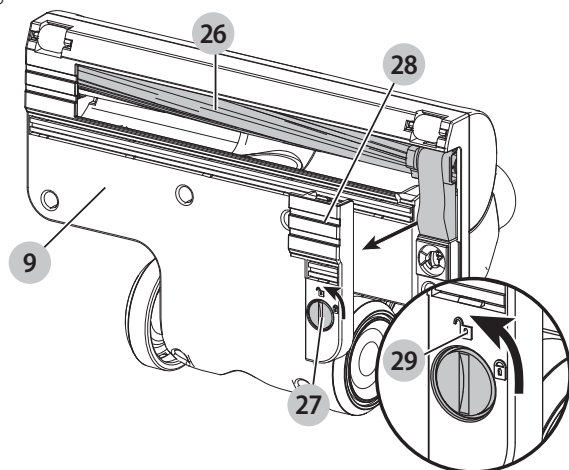


Fig. T

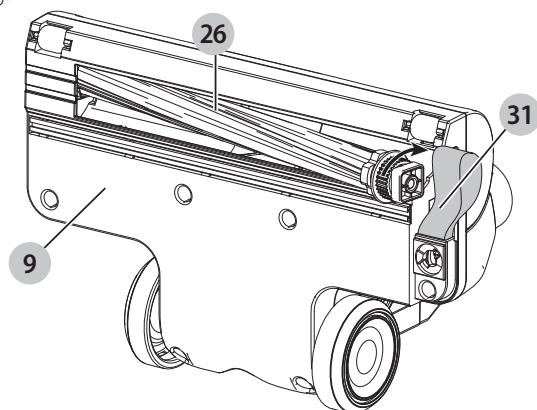


Fig. U

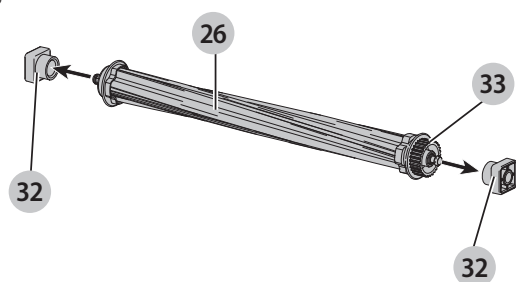


Fig. V

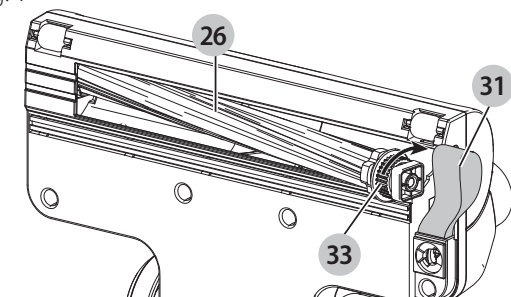
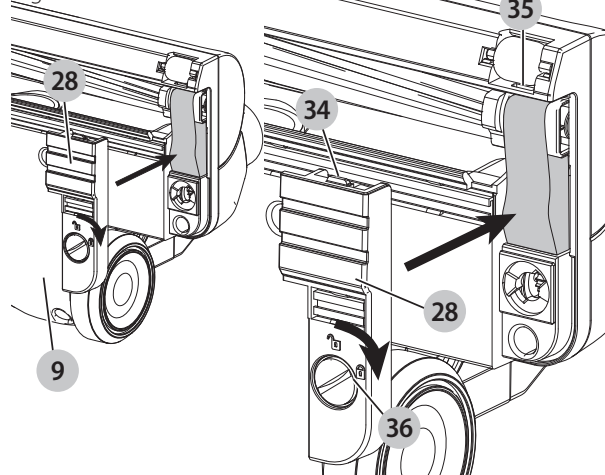


Fig. W

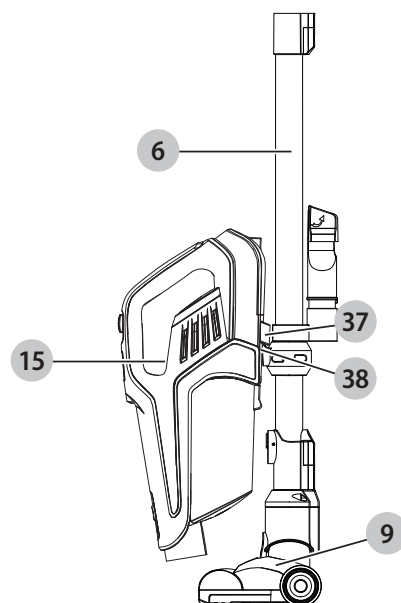


## Storing the vacuum

This vacuum cleaner can be stored compactly and stand on its own.

- Remove the vacuum **15** from the extension tube **6**.
- Place the catch **37** located on the back of vacuum cleaner into the storage hook **38**, located on the extension tube **6**, while the floor brush **9** is in the locked position as shown in Fig. X.

Fig. X



## Replacing the filters

The filters should be replaced every 6 to 9 months and whenever worn or damaged. Replacement filters are available from your BLACK+DECKER dealer.

Visit [www.blackanddecker.com](http://www.blackanddecker.com) to locate dealers.

- Remove the old filters as described in **Cleaning the Filters**.
- Fit the new filters as described in **Cleaning the Filters**. (cat. no: SVFK10)

## MAINTENANCE

Use only mild soap and damp cloth to clean the vac. Never let any liquid get inside the vac; never immerse any part of the vac into a liquid.

**⚠ WARNING:** *Make sure the vacuum is completely dry before using it.*

**IMPORTANT:** To assure product SAFETY and RELIABILITY, repairs, maintenance and adjustment (other than those listed in this manual) should be performed by authorized service centers or other qualified service organizations, always using identical replacement parts.

## TROUBLESHOOTING

**If the product does not work, check the following:**

- The charger was correctly plugged in for recharge. (It feels slightly warm to the touch.)
- The charger cord is not damaged and is correctly attached.
- The charger is plugged into a working electrical outlet.
- The switch is in the "OFF" position when charging.

**If vacuum performance is poor, check the following:**

- Clean the filters. (See "Cleaning and emptying the vacuum" section.)
- Empty the dust canister. (See "Cleaning and emptying the vacuum" section.)
- Clean the rotary brushes. (See "Removing and cleaning the rotary brushes" section.)
- The red LED flashes continuously, plug in the charger and perform a recharge cycle

For assistance with your product, visit our website [www.blackanddecker.com](http://www.blackanddecker.com) for the location of the service center nearest you or call the BLACK+DECKER help line at **1-800-544-6986**.

## ACCESSORIES

Recommended accessories for use with your appliance are available from your local dealer or authorized service center. If you need assistance regarding accessories, please call: **1-800-544-6986**.

**⚠ WARNING:** *The use of any accessory not recommended for use with this appliance could be hazardous.*

## The RBRC® Seal

The RBRC® (Rechargeable Battery Recycling Corporation) Seal on the nickel cadmium, nickel metal hydride or lithium-ion batteries (or battery packs) indicates that the costs to recycle these batteries (or battery packs) at the end of their useful life have already been paid by BLACK+DECKER. In some areas, it is illegal to place spent nickel cadmium, nickel metal hydride or lithium-ion batteries in the trash or municipal solid waste stream and the Call 2 Recycle® program provides an environmentally conscious alternative.

Call 2 Recycle, Inc., in cooperation with BLACK+DECKER and other battery users, has established the program in the United States and Canada to facilitate the collection of spent nickel cadmium, nickel metal hydride or lithium-ion batteries. Help protect our environment and conserve natural resources by returning the spent nickel cadmium, nickel metal hydride or lithium-ion batteries to



an authorized BLACK+DECKER service center or to your local retailer for recycling. You may also contact your local recycling center for information on where to drop off the spent battery. RBRC® is a registered trademark of Call 2 Recycle, Inc.

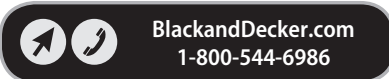
## SERVICE INFORMATION

All BLACK+DECKER Service Centers are staffed with trained personnel to provide customers with efficient and reliable power tool service. Whether you need technical advice, repair, or genuine factory replacement parts, contact the BLACK+DECKER location nearest you. To find your local service location, call: **1-800-544-6986** or visit [www.blackanddecker.com](http://www.blackanddecker.com)

## TWO-YEAR LIMITED WARRANTY

Black & Decker (U.S.) Inc. warrants this product to be free from defects in material or workmanship for a period of two (2) years following the date of purchase, provided that the product is used in a home environment. This limited warranty does not cover failures due to abuse, accidental damage or when repairs have been made or attempted by anyone other than BLACK+DECKER and its Authorized Service Centers. A defective product meeting the warranty conditions set forth herein will be replaced or repaired at no charge in either of two ways: The first, which will result in exchanges only, is to return the product to the retailer from whom it was purchased (provided that the store is a participating retailer). Returns should be made within the time period of the retailer's policy for exchanges. Proof of purchase may be required. Please check with the retailer for its specific return policy regarding time limits for returns or exchanges. The second option is to take or send the product (prepaid) to a BLACK+DECKER owned or authorized Service Center for repair or replacement at BLACK+DECKER's option. Proof of purchase may be required. BLACK+DECKER owned and authorized service centers are listed online at [www.blackanddecker.com](http://www.blackanddecker.com). This warranty does not apply to accessories. This warranty gives you specific legal rights and you may have other rights which vary from state to state. Should you have any questions, contact the manager of your nearest BLACK+DECKER Service Center. This product is not intended for commercial use, and accordingly, such commercial use of this product will void this warranty. All other guarantees, express or implied, are hereby disclaimed. **LATIN AMERICA:** This warranty does not apply to products sold in Latin America. For products sold in Latin America, check country specific warranty information contained in the packaging, call the local company or see the website for such information.

Imported by Black & Decker (U.S.) Inc.,  
701 E. Joppa Rd.  
Towson, MD 21286



## Définitions : symboles et termes d'alarmes sécurité

Ces guides d'utilisation utilisent les symboles et termes d'alarmes sécurité suivants pour vous prévenir de situations dangereuses et de risques de dommages corporels ou matériels.

**⚠ DANGER :** indique une situation dangereuse imminente qui, si elle n'est pas évitée, **entraînera la mort ou des blessures graves.**

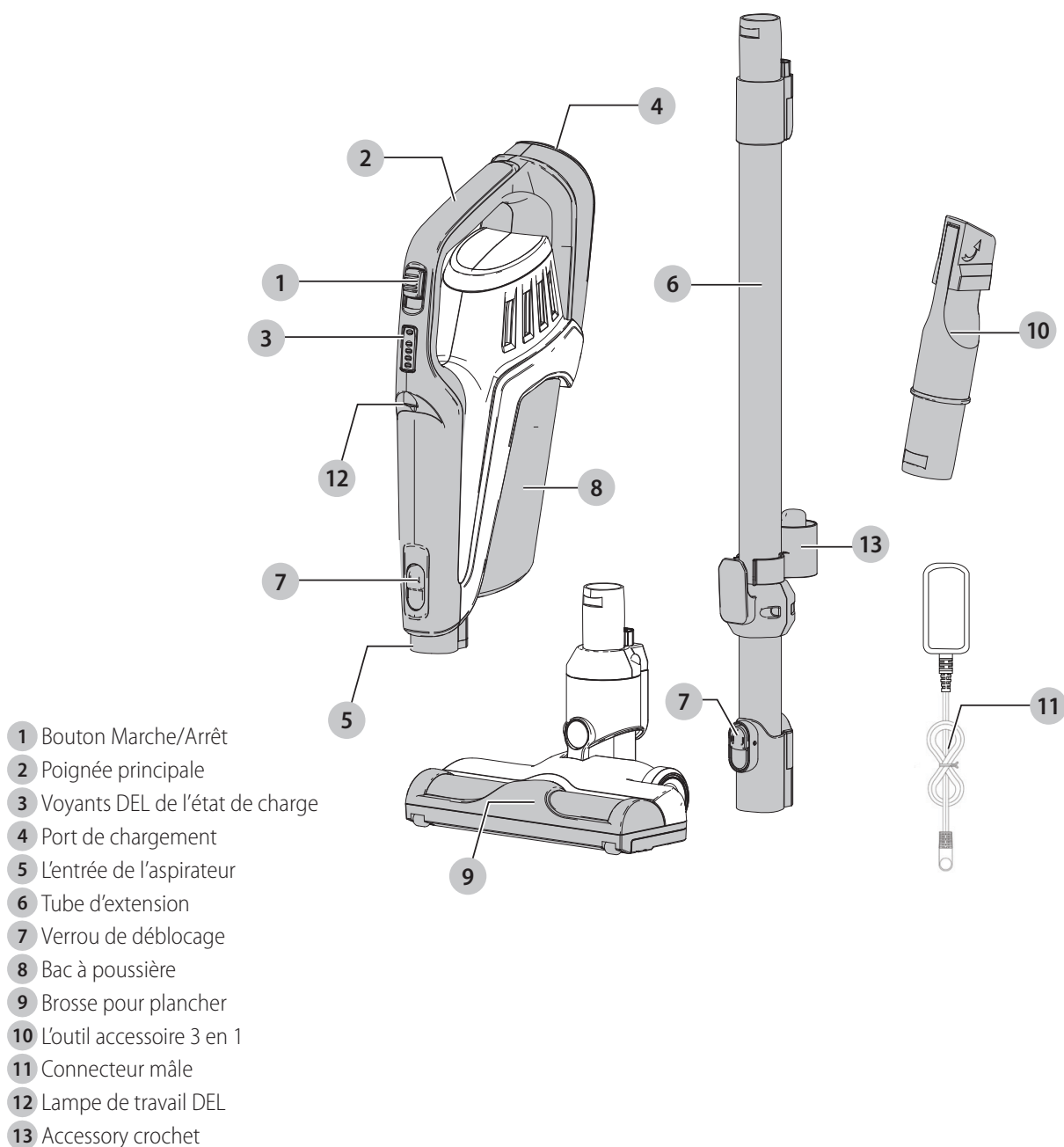
**⚠ AVERTISSEMENT :** indique une situation potentiellement dangereuse qui, si elle n'est pas évitée, **pourrait entraîner la mort ou des blessures graves.**

**⚠ ATTENTION :** indique une situation potentiellement dangereuse qui, si elle n'est pas évitée, **pourrait entraîner des blessures légères ou modérées.**

**⚠** (Si utilisé sans aucun terme) Indique un message propre à la sécurité.

**AVIS :** indique une pratique ne posant **aucun risque de dommages corporels** mais qui par contre, si rien n'est fait pour l'éviter, **pourrait poser des risques de dommages matériels.**

Fig. A



**⚠ AVERTISSEMENT!** *lire tous les avertissements de sécurité et toutes les directives.* Le non-respect des avertissements et des directives pourrait se solder par un choc électrique, un incendie et/ou une blessure grave.

**⚠ AVERTISSEMENT :** afin de réduire le risque de blessures, lire le mode d'emploi de l'outil.

## CONSIGNES IMPORTANTES DE SÉCURITÉ

Lorsque vous utilisez un appareil électrique, des précautions élémentaires devraient toujours être prises, incluant les suivantes :

### LISEZ TOUTES LES INSTRUCTIONS AVANT D'UTILISER CET APPAREIL.

**⚠ AVERTISSEMENT :** *Lisez tous les avertissements de sécurité et toutes les instructions.* Ne pas suivre les avertissements et les instructions ci-dessous peut entraîner un choc électrique, un incendie et/ou des blessures graves.

**⚠ AVERTISSEMENT :** Certaines poussières domestiques comme l'amiante ou le plomb dans la peinture à base de plomb contiennent des produits chimiques reconnus dans l'État de la Californie pour causer le cancer et des anomalies congénitales ou autres effets nuisibles sur la reproduction.

**⚠ AVERTISSEMENT :** Ne pas tenter de modifier ou de réparer l'appareil.

**⚠ AVERTISSEMENT :** Ne pas recharger le bloc-piles à des températures sous 4 °C (39 °F) ou au-dessus de 40 °C (104 °F). Suivez les instructions de recharge et ne pas recharger l'appareil hors de la plage de températures indiquée dans les instructions. Recharger de façon inappropriée ou hors de la plage de températures indiquée peut endommager le bloc-piles et augmenter le risque d'incendie.

**⚠ AVERTISSEMENT :** Afin de réduire le risque d'incendie, de choc électrique ou de blessure :

- Danger de choc électrique. Afin de vous protéger contre le risque de choc électrique, ne pas mettre le poste de recharge dans l'eau ou autre liquide.
- Ne pas le laisser être utilisé comme jouet. Une attention particulière est nécessaire lorsque l'appareil est utilisé par des enfants ou près des enfants.
- Utilisez seulement comme décrit dans le présent manuel. Utiliser seulement les accessoires recommandés du fabricant.
- Ne pas utiliser avec un cordon ou une fiche endommagée. Si l'outil ne fonctionne pas comme il le devrait, a été échappé, endommagé, laissé à l'extérieur ou échappé dans l'eau, retournez-le dans un centre de services.
- Ne pas tirer ou transporter par le cordon, utiliser celui-ci comme une poignée, le passer sous une porte ou autour d'arêtes ou coins acérés. Ne pas passer la machine sur le cordon. Gardez le cordon hors de portée de surfaces chaudes.
- Ne pas débrancher en tirant sur le cordon. Pour débrancher, saisissez la fiche, pas le cordon.
- Ne pas toucher au chargeur ou sa fiche et ses contacts si vos mains sont mouillées.
- Ne pas mettre tout objet dans les ouvertures. Ne pas utiliser si une ouverture est bloquée; tenez à l'écart de la poussière, de la charpie ainsi que des cheveux et de tout ce qui peut réduire la circulation de l'air.
- Gardez vos cheveux, vêtements amples, doigts et toutes les parties de votre corps loin des ouvertures et des pièces en mouvement de l'outil.
- Redoublez de prudence durant le nettoyage d'escaliers.
- Ne pas utiliser pour ramasser des liquides combustibles ou inflammables, comme l'essence ou utiliser dans des endroits où ils sont présents.
- Ne pas ramasser tout ce qui brûle ou fume comme des cigarettes, des allumettes ou des cendres chaudes.
- Ne pas utiliser sans le sac à poussière et/ou les filtres en place.
- Ne pas charger l'appareil à l'extérieur.
- Utilisez seulement le chargeur fourni par le fabricant pour recharger.
- Ne pas incinérer l'appareil même s'il est sévèrement endommagé. Les piles peuvent exploser et causer un incendie.
- Cet appareil n'est prévu que pour usage domestique et non pour utilisation commerciale ou industrielle.
- Ne pas laisser le cordon pendre du bord d'une table ou comptoir ou entrer en contact avec une surface chaude. L'appareil ne devrait pas être placé ou monté près d'un évier ou d'une source de chaleur.
- Branchez le chargeur directement dans une prise de courant.
- Branchez le chargeur seulement dans une prise de courant domestique standard (120 V - 60 Hz).
- Débranchez le chargeur de sa prise avant tout entretien ou nettoyage de routine.
- Ne pas regarder dans les événements lorsque l'appareil est en marche parce qu'il arrive parfois que de petits débris puissent être éjectés des événements, particulièrement après le nettoyage/remplacement des filtres puisque les débris à l'intérieur de l'appareil peuvent être dérangés.
- Sous conditions extrêmes, une fuite des cellules du bloc-piles peut se produire. Si le liquide (qui est une solution de 20 à 35 % d'hydroxyde de potassium) se retrouve sur

l'épiderme, (1) lavez rapidement à l'eau et au savon et (2) neutralisez avec un produit légèrement acide comme du jus de citron ou du vinaigre. Si du liquide entre dans les yeux, rincez immédiatement avec de l'eau propre pour une durée minimum de 10 minutes. Consultez un médecin.

## AVERTISSEMENTS DE SÉCURITÉ SUPPLÉMENTAIRES

- Prévention le démarrage intempestif. S'assurer que le commutateur est en position Arrêt avant de manipuler l'appareil.** Transporter l'appareil avec votre doigt sur l'interrupteur ou mettre sous tension un appareil dont le commutateur de marche est fermé favorise les accidents.
- Rechargez seulement avec le chargeur indiqué par le fabricant.** Un chargeur est approprié pour un type de bloc-piles et peut créer un risque d'incendie s'il est utilisé avec un bloc-piles d'un autre type.
- Ne pas utiliser un bloc-piles ou un appareil qui est endommagé ou qui a été modifié.** Les piles endommagées ou modifiées peuvent avoir un comportement imprévisible entraînant un incendie, une explosion ou un risque de blessure.
- Ne pas exposer le bloc-piles ou l'appareil au feu ou à une température excessive.** L'exposition au feu ou à une température au-dessus de 130 °C (266 °F) pourrait entraîner une explosion.
- Pour les réparations, se référer à une personne qualifiée utilisant uniquement des pièces de rechange d'origine identiques.** Ceci assurera le maintien de la sécurité du produit.
- Utilisez seulement avec des chargeurs S010QU2300040 et S014CU2720050.

## CONSERVEZ CES INSTRUCTIONS

### SYMBOLES

L'étiquette apposée sur votre outil pourrait comprendre les symboles suivants. Les symboles et leurs définitions sont indiqués ci-après :

- V.....volts
- A.....ampères
- Hz.....hertz
- W.....watts
- min.....minutes
- ~ ou AC.....courant alternatif
- == ou DC.....courant continu
- n<sub>o</sub>.....sous vide
- ⚠.....Construction de classe I
- ⊕.....borne de mise à la minute (mis à la terre)
- .....Construction de classe II
- ⚠.....symbole d'avertissement
- .../min.....tours à la minute
- Wh.....Watt Heures

## ASSEMBLAGE

**AVERTISSEMENT :** Ne pas tenter de modifier ou de réparer l'appareil.

### Utilisation prévue

Votre aspirateur vertical sans fil au lithium-ion 3 dans 1 grande capacité BLACK + DECKER a été conçu pour le nettoyage à sec. Cet appareil est conçu pour un usage domestique seulement.

### Assemblage (Fig. B, C)

- Alignez le haut du tube d'extension 6 avec l'entrée de l'aspirateur 5 comme illustré dans la Fig. B.
- Poussez le tube d'extension 6 dans l'entrée de l'aspirateur 5 pour qu'il se verrouille en place.
- Alignez le bas du tube d'extension 6 avec la brosse pour plancher 9 comme illustré dans la Fig. C.
- Poussez le bas du tube d'extension 6 dans la brosse pour planchers 9 pour qu'il se verrouille en place.
- Pour retirer un accessoire, appuyez sur le verrou de déblocage 7 de l'accessoire sur l'aspirateur ou le tube d'extension et retirez doucement l'accessoire connecté.

**AVERTISSEMENT :** Lorsqu'elle n'est pas utilisée, placez l'unité avec l'arrière de l'aspirateur face à un mur de sorte qu'elle ne tombe pas sur un enfant ou un animal domestique.

Fig. B

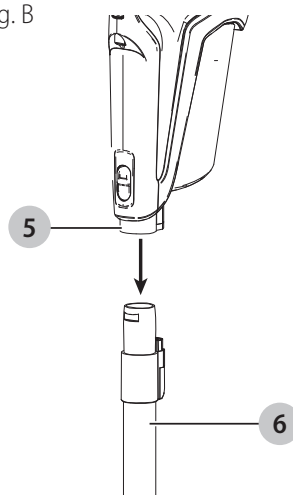
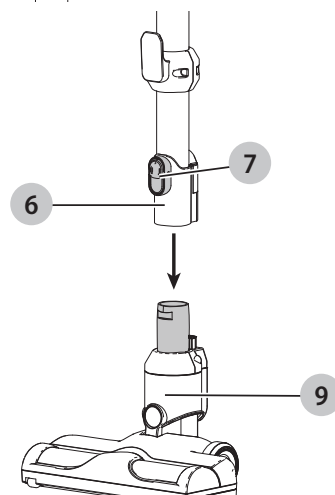


Fig. C



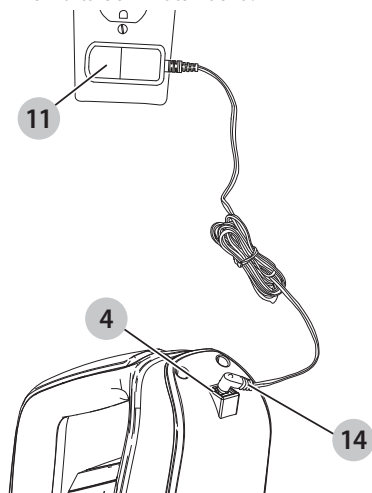
## Chargement de la pile (Fig. D)

**AVERTISSEMENT :** Pour utilisation avec le chargeur fourni seulement.

Lorsqu'elles sont neuves, les piles rechargeables du produit ont besoin d'un temps de charge minimum de 5 heures pour assurer une pleine puissance.

- Fig. D - Connectez le connecteur mâle **14** du chargeur à connecteur mâle **11** dans le port de chargement **4** de l'aspirateur. Branchez le chargeur dans une prise électrique 120 volts 60 Hz standard.

Fig. D



- Pendant la recharge, le chargeur peut devenir chaud. Ceci parfaitement normal et sécuritaire. L'appareil peut demeurer connecté sur le chargeur indéfiniment sans aucun problème. Le chargeur réduit automatiquement sa consommation électrique lorsque le chargement est terminé.

**AVERTISSEMENT :** Ne pas recharger le bloc-piles à des températures sous 4 °C (39 °F) ou au-dessus de 40 °C (104 °F). Suivez les instructions de recharge et ne pas recharger l'appareil hors de la plage de températures indiquée dans les instructions.

## UTILISATION

L'aspirateur peut être utilisé de quatre façons.

- Avec le tube d'extension **6** et la brosse pour planchers **9**. (Fig. E)
- Avec le tube d'extension **9** et l'aspirateur **15**. (Fig. F)
- Avec le tube d'extension **6** et l'outil accessoire 2 en 1 **10**. (Fig. G)
- Avec l'outil accessoire 2 en 1 **10** et l'aspirateur **14**. (Fig. H)

Fig. E

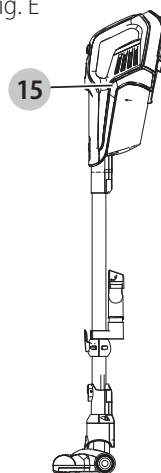


Fig. F

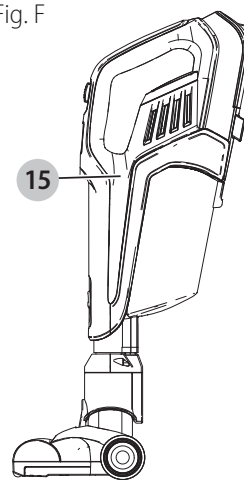


Fig. G

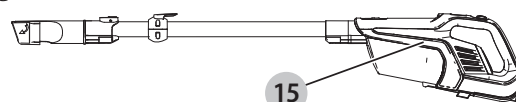
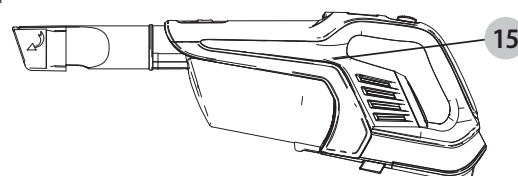


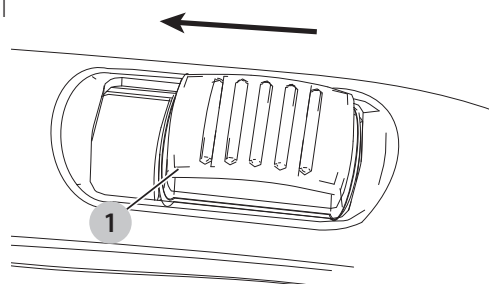
Fig. H



## Mettre en marche et éteindre (Fig. I)

- Pour mettre en marche, glissez le bouton Marche/Arrêt **1** vers l'avant à la position « I ».
- Pour augmenter la puissance, glissez le bouton Marche/Arrêt **1** vers l'avant à la position « II ».
- REMARQUE :** La brosse pour planchers **9** se mettra en marche lorsqu'elle est fixée à l'aspirateur ou au tube d'extension. Lampe de travail DEL **12** s'allumera chaque fois que l'unité est en marche.
- REMARQUE :** Les voyants DEL de l'état de charge **3** s'allumeront pendant que l'aspirateur est en marche.
- Pour éteindre, glissez le bouton Marche/Arrêt **1** à la position « O ».
- Remplacez l'aspirateur dans son chargeur immédiatement après le travail pour qu'il soit prêt pour la prochaine utilisation. Assurez-vous que le produit est bien branché avec la fiche du chargeur.

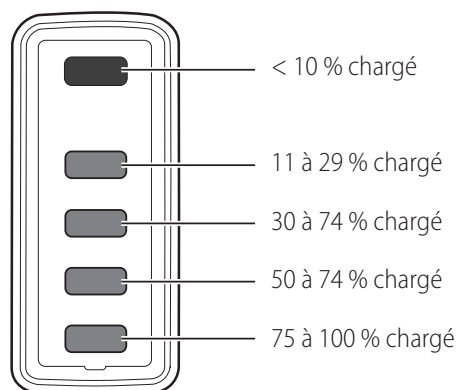
Fig. I



## Indicateur de l'état de charge

Cet appareil comprend un indicateur de l'état de charge **3** comprenant quatre voyants DEL verts et un rouge indiquant le niveau de charge restant dans la pile. Cette fonction s'active seulement lorsque l'aspirateur est en marche.

L'indicateur d'état de charge est une indication du niveau approximatif de charge restant dans le bloc-piles selon les indicateurs suivants :



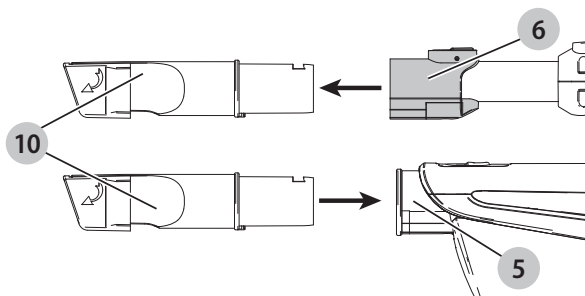
Les DEL de l'indicateur d'état de charge du bloc-piles affichent la charge résiduelle et vous avertissent d'un faible niveau de charge. Le voyant DEL rouge clignote de façon continue lorsque l'unité est presque déchargée. Si le voyant DEL rouge clignote de façon continue lorsque le bouton est en position Marche, connectez le connecteur mâle **14** du chargeur à connecteur mâle **11** dans le port de chargement **4** de l'aspirateur. Branchez le chargeur dans une prise électrique 120 volts 60 Hz standard.

**REMARQUE :** L'indicateur d'état de charge est seulement une indication du niveau de charge restant dans le bloc-piles. Il n'indique pas la fonctionnalité de l'appareil et peut varier selon les accessoires utilisés, la température et l'utilisation faite de l'appareil.

### Utilisation de l'outil accessoire 3 en 1 (Fig. J)

- L'outil accessoire 3 en 1 **10** a deux configurations.
  - Mode Brosse.
  - Mode Petit suceur.
- L'outil accessoire 3 en 1 **10** peut être fixé directement sur le tube d'extension **6** ou sur l'entrée de l'aspirateur **5** comme illustré dans la Fig. J.
- Alignez le haut de l'outil accessoire 3 en 1 **10** avec l'entrée de l'aspirateur **5** ou le tube d'extension **6** et poussez en place afin qu'il se verrouille comme illustré dans la Fig. J.
- Le suceur plat peut être utilisé pour nettoyer les coins de murs, les escaliers, les interstices des meubles et les ailettes de refroidissement des appareils domestiques.
- La combinaison d'un suceur plat avec une brosse peut être utilisée pour nettoyer les meubles, les rideaux, les lampes et les lanternes.

Fig. J



### Nettoyer et vider l'aspirateur

**AVERTISSEMENT :** *Risque de projectiles/respiratoires : Ne jamais utiliser cet aspirateur sans son filtre.*

**REMARQUE :** Le filtre est réutilisable, ne pas le confondre avec le sac à poussière jetable et ne pas le jeter lorsque vous videz le produit. Nous vous recommandons de remplacer le filtre tous les 6 à 9 mois selon la fréquence d'utilisation.

Il y a deux méthodes de nettoyage du bac, une méthode pour vider rapidement et une méthode de nettoyage en profondeur.

### Pour vider le bac à poussière (Fig. K, L, M, O)

- Reculez le bouton de libération (**16** du bac à poussière et retirez le bac à poussière **8** de l'aspirateur **15** comme illustré dans la Fig. K.
- Utilisez votre index et votre pouce pour pincer les languettes **17** du boîtier des filtres et levez le boîtier des filtres **18** du bac à poussière comme illustré dans la Fig. L.
- **REMARQUE :** Le boîtier des filtres s'ajuste de façon serrée dans le bac à poussière et peut être difficile à retirer au début.
- Placez le bac à poussière au-dessus de la poubelle et videz-le.
- Installez le boîtier des filtres dans le bac à poussière **8** en vous assurant que les fentes du bac à poussière **19** s'alignent avec les languettes du boîtier des filtres **20** comme illustré dans la Fig. M.
- Installez le bac à poussière sur l'aspirateur jusqu'à ce qu'il « clique » solidement en place.
- **REMARQUE :** Assurez-vous que le capteur de poussière **21** est placé vers la poignée principale **2** de l'aspirateur et que le bouton de libération du bac à poussière **16** est à l'opposé de l'aspirateur **15** comme illustré dans la Fig. O.

Fig. K

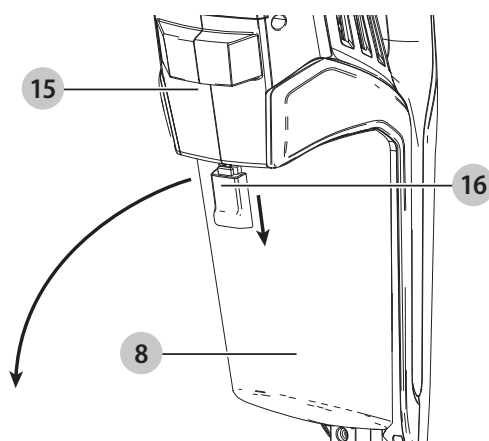


Fig. L

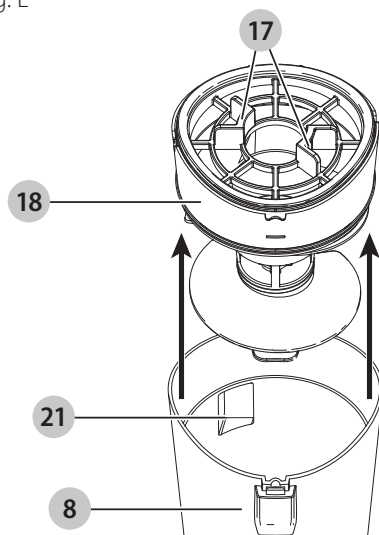


Fig. M

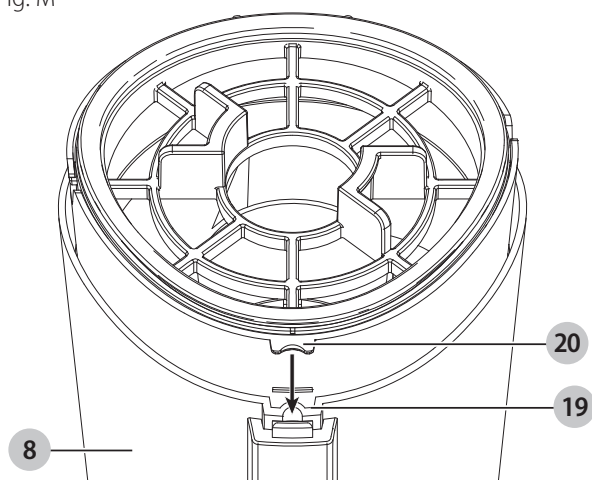
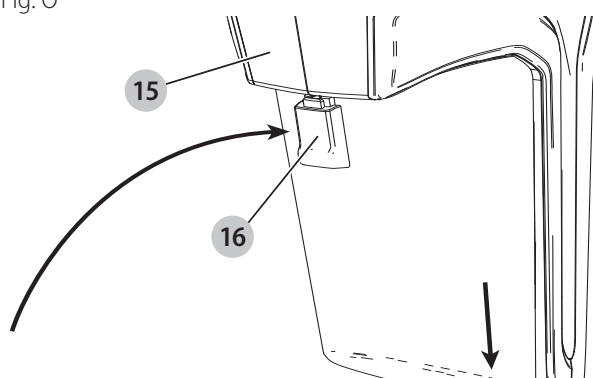


Fig. O



### Nettoyage des filtres (Fig. K, L, O, P - R)

- Reculez le bouton de libération (16) du bac à poussière et retirez le bac à poussière 8 de l'aspirateur 15 comme illustré dans la Fig. K.
- Utilisez votre index et votre pouce pour pincer les languettes 17 du boîtier des filtres et levez le boîtier des filtres 18 du bac à poussière comme illustré dans la Fig. L.
- Une fois que vous avez retiré le boîtier des filtres du bac à poussière, utilisez votre index et votre pouce pour pincer les languettes du boîtier des filtres 17, tournez le filtre 22 dans le sens contraire des aiguilles d'une montre et retirez-le du boîtier des filtres comme illustré dans la Fig. P.

- Retirez le filtre en mousse 23 du boîtier des filtres comme illustré dans la Fig. Q.
- Secouez ou brossez légèrement la poussière du filtre en mousse 23 et du filtre 22.
- Lavez le bac à poussière 8 dans une eau tiède savonneuse.
- Lavez les filtres dans une eau tiède savonneuse.
- Assurez-vous que les filtres sont complètement secs avant de les remettre dans le boîtier des filtres 18.
- Remettez le filtre en mousse 23 propre et sec dans le boîtier des filtres 18.
- Remettez le filtre 22 propre et sec dans le boîtier des filtres 18 en alignant les verrous du filtre 24, situé sur le filtre, avec les fentes du boîtier des filtres 25, situées sur les côtés du boîtier des filtres et tournez le filtre dans le sens des aiguilles d'une montre jusqu'à ce qu'il se verrouille solidement en place comme illustré dans la Fig. R.
- Installez le boîtier des filtres dans le bac à poussière 8 en vous assurant que les fentes du bac à poussière 19 s'alignent avec les languettes du boîtier des filtres 20 comme illustré dans la Fig. M.
- Installez le bac à poussière sur l'aspirateur jusqu'à ce qu'il « clique » solidement en place.
- **REMARQUE :** Assurez-vous que le capteur de poussière 21 est placé vers la poignée principale 2 de l'aspirateur et que le bouton de libération du bac à poussière 15 est à l'opposé de l'aspirateur 16 comme illustré dans la Fig. O.

**IMPORTANT :** La succion maximale ne sera obtenue qu'avec des filtres propres et un bac à poussière vide. Si la poussière commence à s'échapper de l'unité après qu'elle est arrêtée, ceci indique que le bac à poussière est plein et qu'il doit être vidé.

- Lavez les filtres régulièrement à l'eau tiède savonneuse et assurez-vous qu'ils sont complètement secs avant de les utiliser à nouveau. Plus le filtre sera propre, meilleure sera la performance de l'aspirateur.
- Il est très important que les filtres soient complètement secs et installés correctement avant d'utiliser l'appareil.

Fig. P

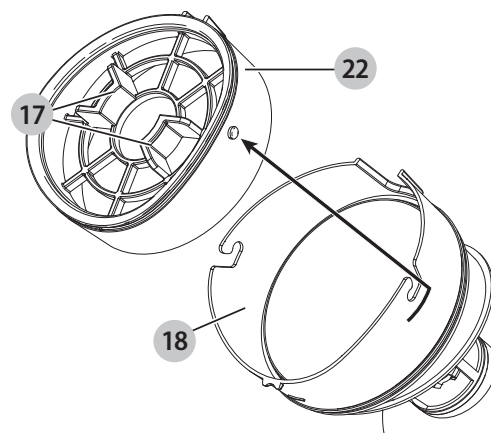


Fig. Q

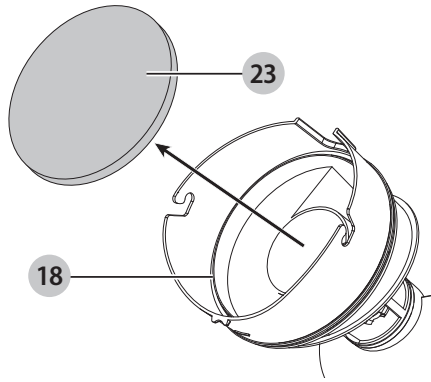
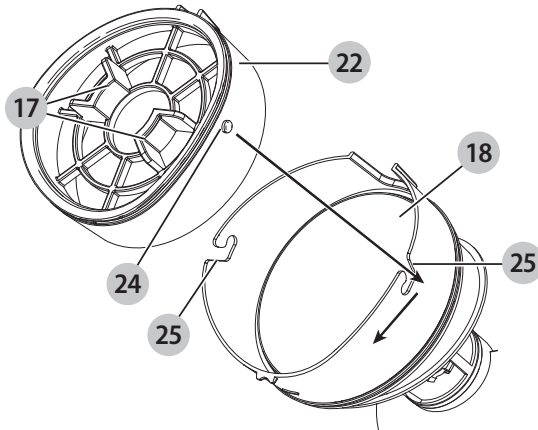


Fig. R



### Retirer et nettoyer les brosses rotatives (Fig. S, T, U, V, W)

**⚠ ATTENTION :** Pour réduire le risque de blessures causées par les pièces en mouvement, déconnectez la brosse pour planchers de l'aspirateur avant de nettoyer ou de réparer.

- Pour retirer la brosse rotative **26** de la brosse pour planchers **9**, utilisez une pièce de monnaie ou un tournevis plat pour tourner le verrou **27** sur la plaque de verrouillage **28** à la position déverrouillée **29** comme illustré dans la Fig. S.
- Retirez la plaque de verrouillage **28**.
- Levez la brosse rotative et glissez la courroie d'entraînement **31** vers le côté comme illustré dans la Fig. T. La brosse rotative **26** peut maintenant être retirée.
- **REMARQUE :** Les pièces des extrémités **32** sont également amovibles, vous permettant de retirer les cheveux ou d'autres débris pouvant être accumulés des brosses comme illustré dans la Fig. U.
- Une fois que la brosse rotative a été nettoyée, réinstallez la brosse rotative dans la brosse pour planchers **9**.
- Glissez la courroie d'entraînement **31** sur la roue dentée **33** sur la brosse rotative comme illustré dans la Fig. V.
- Installez la plaque de verrouillage **28** sur la brosse pour planchers. Insérez la barre de retenue **34** dans la fente **35** sur la brosse pour planchers **9** illustrée dans la Fig. W.
- Utilisez une pièce de monnaie ou un tournevis plat pour tourner le verrou **27** sur la plaque de verrouillage **28** à la position déverrouillée **36** comme illustré dans la Fig. W.

Fig. S

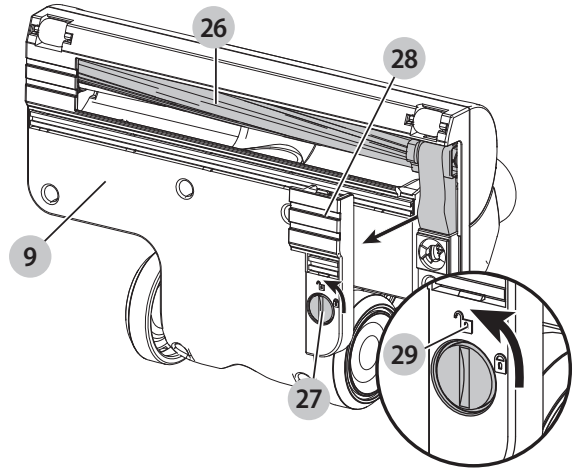


Fig. T

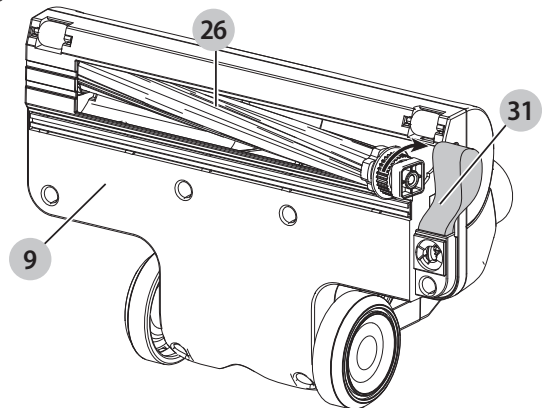


Fig. U

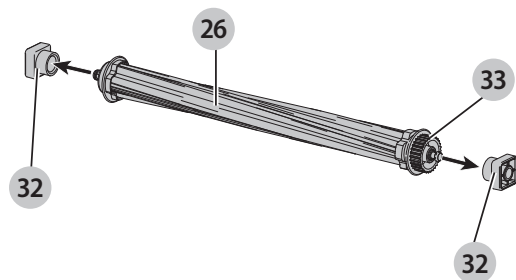


Fig. V

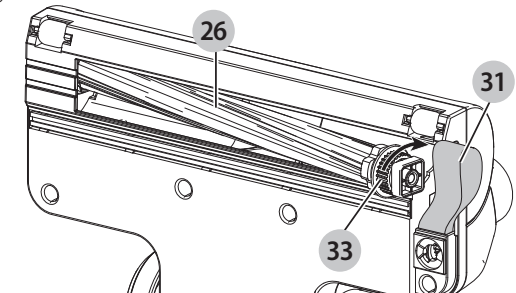
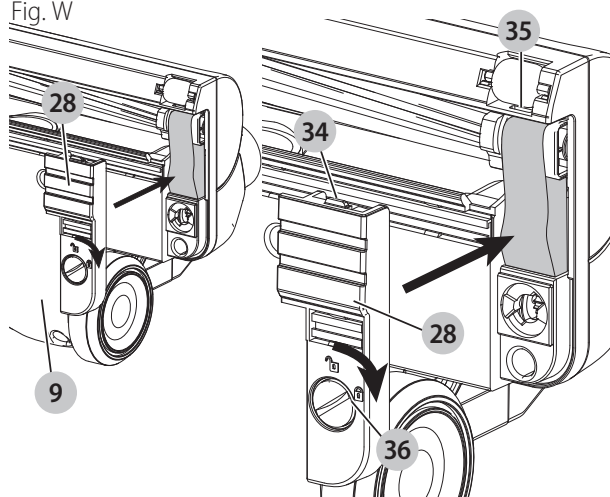


Fig. W

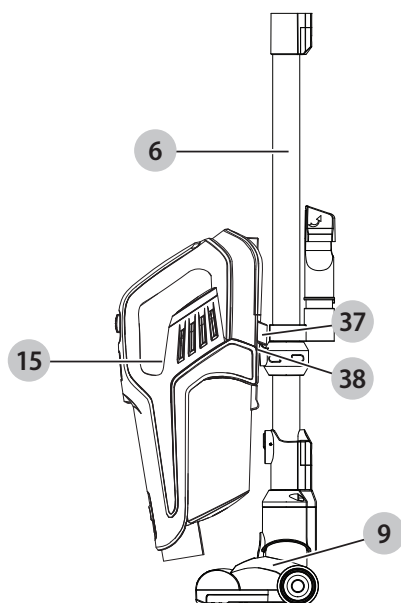


## Ranger l'aspirateur

Cet aspirateur peut être rangé de façon compacte et se tenir de lui-même.

- Retirez l'aspirateur **15** du tube d'extension **6**.
- Placez le cran **37** situé à l'arrière de l'aspirateur dans le crochet de rangement **38**, situé sur le tube d'extension **6**, pendant que la brosse pour planchers **9** est en position verrouillée comme illustré dans la Fig. X.

Fig. X



## Remplacer les filtres

Les filtres doivent être remplacés tous les 6 à 9 mois et lorsqu'ils sont usés ou endommagés. Les filtres de remplacement sont disponibles chez votre détaillant BLACK+DECKER.

Visitez [www.blackanddecker.com](http://www.blackanddecker.com) pour trouver les détaillants.

- Retirez les anciens filtres comme décrit dans **Nettoyage des filtres**.
- Mettez les nouveaux filtres comme décrit dans **Nettoyage des filtres**.

(N° de cat. : SVFK10)

## ENTRETIEN

Utilisez seulement un savon doux et un linge humide pour nettoyer l'aspirateur. Ne jamais laisser de liquide entrer à l'intérieur de l'aspirateur; ne jamais immerger toute partie de l'aspirateur dans un liquide.

**⚠ AVERTISSEMENT :** Assurez-vous que l'aspirateur est complètement sec avant de l'utiliser.

**IMPORTANT :** Afin d'assurer votre SÉCURITÉ et la FIABILITÉ du produit, les réparations, l'entretien et les ajustements (autres que ceux énumérés dans le présent manuel) doivent être effectués dans un centre de service BLACK+DECKER ou une entreprise de service autorisée, toujours en utilisant des pièces de remplacement identiques.

## DÉPANNAGE

**L'appareil ne fonctionne pas. Contrôler ce qui suit :**

- Le chargeur avait été branché pour la recharge (Il sera légèrement chaud au toucher.)
- Le cordon du chargeur est bien fixé et non endommagé.
- Le chargeur est branché dans une prise de courant.
- Le bouton est en position « Arrêt » lors du chargement.

**Si la performance de l'aspirateur est faible, vérifiez ce qui suit :**

- Nettoyez les filtres. (Consultez la section « Nettoyer et vider l'aspirateur ».)
- Videz la bac à poussière. (Consultez la section « Nettoyer et vider l'aspirateur ».)
- Nettoyez les brosses rotatives. (Consultez la section « Retirer et nettoyer les brosses rotatives ».)

Le voyant DEL rouge clignote de façon continue, branchez le chargeur et effectuez un cycle de recharge. Pour de l'aide avec l'outil, consultez notre site Web

[www.blackanddecker.com](http://www.blackanddecker.com) pour l'emplacement du centre de réparation le plus près ou communiquer avec l'assistance BLACK+DECKER au **1-800-544-6986**.

## ACCESSOIRES

Les accessoires recommandés pouvant être utilisés avec l'appareil sont disponibles auprès du détaillant local ou du centre de réparation autorisé. Pour obtenir de l'aide concernant les accessoires, composer le : **1 800 544-6986**.

**⚠ AVERTISSEMENT :** l'utilisation de tout accessoire non recommandé avec cet appareil pourrait s'avérer dangereuse.

## INFORMATION SUR LES RÉPARATIONS

Tous les centres de réparation BLACK+DECKER sont dotés de personnel qualifié en matière d'outillage électrique; ils sont donc en mesure d'offrir à leur clientèle un service efficace et fiable. Que ce soit pour un avis technique, une réparation ou des pièces de rechange authentiques installées en usine, communiquer avec l'établissement BLACK+DECKER le plus près de chez vous. Pour trouver l'établissement de réparation de votre région, composer le numéro suivant : **1 800 544-6986** ou consulter le site **[www.blackanddecker.com](http://www.blackanddecker.com)**

## GARANTIE LIMITÉE DE DEUX ANS

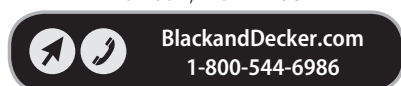
Black & Decker (É.-U.) Inc. garantit que le produit est exempt de défauts de matériau et de fabrication pendant deux(2) ans à partir de la date d'achat, à condition que le produit soit utilisé en milieu domestique. La présente garantie limitée ne couvre pas les défaillances provoquées par un abus, un dommage accidentel ou des réparations ou tentatives de réparations effectuées par toute autre personne que le personnel de BLACK+DECKER et de ses centres de réparation agréés. Un produit défectueux qui remplit les conditions stipulées par la présente garantie sera remplacé ou réparé sans frais d'une des deux façons suivantes :

La première façon consiste en un échange chez le détaillant où le produit a été acheté (à la condition que le magasin soit un détaillant participant). Tout retour doit se faire durant la période correspondant à la politique d'échange du détaillant. Une preuve d'achat peut être requise. Prière de vérifier la politique de retour du détaillant au sujet des délais impartis pour les retours ou les échanges.

La deuxième option est d'apporter ou d'envoyer le produit (en port payé) à un centre de réparation agréé ou à un centre de réparation BLACK+DECKER pour faire réparer ou échanger le produit, à la discrétion de BLACK+DECKER. Une preuve d'achat peut être requise. Les centres de réparation de BLACK+DECKER et les centres de réparation en ligne sur [www.blackanddecker.com](http://www.blackanddecker.com).

Cette garantie ne s'applique pas aux accessoires. Cette garantie accorde des droits légaux propres au propriétaire de l'outil. Ce dernier pourrait avoir d'autres droits selon l'État ou la province qu'il habite. Pour toute question, communiquer avec le directeur du centre de réparation BLACK+DECKER le plus près. Ce produit n'est pas destiné à un usage commercial. L'usage commercial de ce produit annule par conséquent cette garantie. Toutes autres garanties, expresses ou implicites, sont déclinées par la présente.

Importé par Black & Decker (U.S.) Inc.,  
701 E. Joppa Rd.  
Towson, MD 21286



## Definiciones: Símbolos y palabras de alerta de seguridad

Este manual de instrucciones utiliza los siguientes símbolos y palabras de alerta de seguridad para alertarle de situaciones peligrosas y del riesgo de lesiones corporales o daños materiales.

**⚠ PELIGRO:** Indica una situación de peligro inminente que, si no se evita, provocará **la muerte o lesiones graves**.

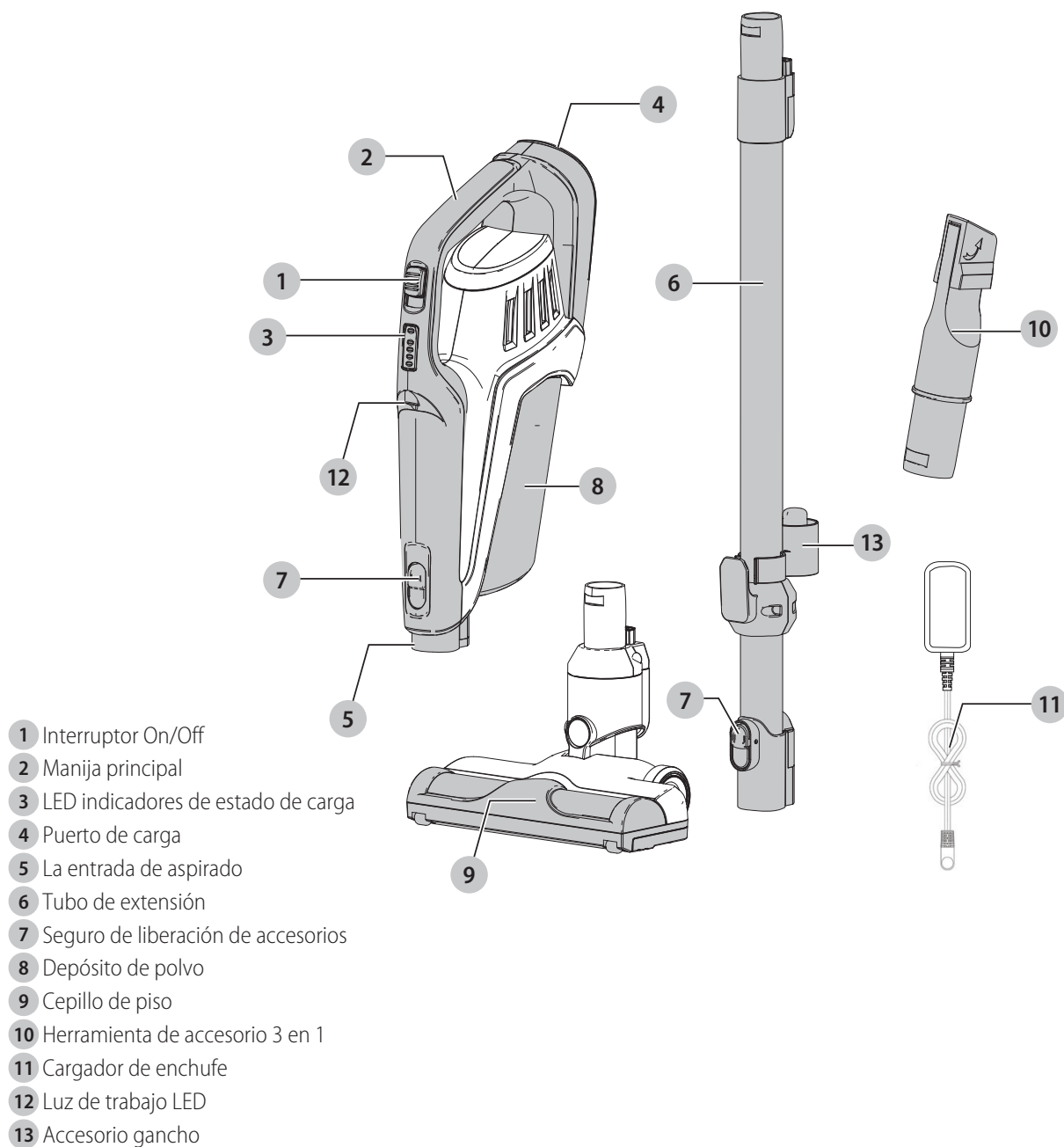
**⚠ ADVERTENCIA:** Indica una situación de peligro potencial que, si no se evita, **podría provocar la muerte o lesiones graves**.

**⚠ ATENCIÓN:** Indica una situación de peligro potencial que, si no se evita, **posiblemente provocaría lesiones leves o moderadas**.

**⚠** (Utilizado sin palabras) indica un mensaje de seguridad relacionado.

**AVISO:** Se refiere a una práctica **no relacionada a lesiones corporales** que de no evitarse **puede** resultar en **daños a la propiedad**.

Fig. A



**¡ADVERTENCIA!** Lea todas las advertencias de seguridad e instrucciones. El incumplimiento de las advertencias e instrucciones puede provocar descargas eléctricas, incendios o lesiones graves.

**ADVERTENCIA:** Para reducir el riesgo de lesiones, lea el manual de instrucciones.

## INSTRUCCIONES DE SEGURIDAD IMPORTANTES

Cuando use aparatos eléctricos, siempre se deben seguir las precauciones básicas, incluyendo las siguientes:

### LEA TODAS LAS INSTRUCCIONES ANTES DE USAR ESTE APARATO.

**ADVERTENCIA:** Lea todas las advertencias de seguridad y todas las instrucciones. La falla en seguir las advertencias e instrucciones indicadas a continuación puede resultar en descarga eléctrica, incendio y/o lesiones serias.

**ADVERTENCIA:** Algunos polvos domésticos contienen químicos conocidos por el Estado de California que causan cáncer, y defectos de nacimiento u otros daños reproductivos tales como asbesto y plomo en pintura a base de plomo.

**ADVERTENCIA:** No intente modificar o reparar el aparato.

**ADVERTENCIA:** No cargue la batería en temperaturas ambiente menores a 39 °F (4 °C) o mayores a 104 °F (40 °C). Siga todas las instrucciones de carga y no cargue el aparato fuera del rango de temperatura especificado en las instrucciones. Cargar inadecuadamente o en una temperatura fuera del rango especificado puede dañar la batería e incrementar el riesgo de incendio.

**ADVERTENCIA:** Para reducir el riesgo de incendios, descarga eléctrica, o lesiones:

- Riesgo de descarga eléctrica. Para protegerse contra riesgo de descarga eléctrica, no coloque la base de carga en agua u otro líquido.
- No permita que se use como un juguete. Se necesita poner atención cuando sea usado por o cerca de niños.

- Sólo use como se describe en este manual. Sólo use conexiones recomendadas por el fabricante.
- No use con el cable o enchufe dañado. Si el aparato no funciona como debería, se ha dejado caer, se dañó, se dejó en exteriores, o se dejó caer en agua, regréselo a un centro de servicio.
- No jale o transporte por el cable, no use el cable como manija, cierre una puerta sobre el cable, o jale el cable alrededor de bordes o esquinas filosas. No opere el aparato sobre el cable. Mantenga el cable lejos de superficies calientes.
- No desconecte jalando del cable. Para desconectar, sujete el enchufe, no el cable.
- No maneje el cargador, incluyendo el enchufe del cargador, y las terminales del cargador con las manos húmedas.
- No coloque ningún objeto en las aberturas. No lo use con ninguna abertura bloqueada; manténgalo libre de polvo, pelusa, cabello y cualquier cosa que pueda reducir el flujo de aire.
- Mantenga el cabello, ropa suelta, y todas las partes del cuerpo alejados de las aberturas y partes móviles.
- Tenga cuidado adicional cuando limpie en escaleras.
- No lo use para recoger líquidos inflamables o combustibles, tales como gasolina, o en áreas donde puedan estar presentes.
- No recoja nada que esté encendido o humeando, tal como cigarrillos, cerillos, o cenizas calientes.
- No lo use sin bolsa para polvo y/o filtros en su lugar.
- No cargue la unidad en exteriores.
- Sólo use el cargador suministrado por el fabricante para recargar.
- No incinere el aparato incluso si está dañado severamente. Las baterías pueden explotar en el fuego.
- Este aparato está diseñado para uso doméstico únicamente y no para uso comercial o industrial.
- No permita que el cable cuelgue sobre el borde de una mesa o mostrador o toque superficies calientes. La unidad se debe colocar o montar lejos de tarjetas y superficies calientes.
- Conecte el cargador directamente en un tomacorriente eléctrico.
- Use el cargador únicamente en un tomacorriente eléctrico estándar (120V/60Hz).
- Desconecte el cargador del tomacorriente antes de cualquier limpieza o mantenimiento de rutina.
- No vea dentro de las ventilas de aire cuando la unidad esté encendida, ya que existe una posibilidad de que se descarguen desechos pequeños de las ventilas de aire, en especial después de la limpieza / reemplazo del filtro ya que el desecho dentro de la unidad se puede mover.

Pueden ocurrir fugas de las celdas de la batería bajo condiciones extremas. Si el líquido, que es una solución de 20-35% de hidróxido de potasio, tiene contacto con la piel (1) lave rápidamente con agua y jabón o (2) neutralice con un ácido suave tal como jugo de limón o vinagre. Si el líquido

entra en los ojos, lávelos de inmediato con agua limpia por un mínimo de 10 minutos. Busque atención médica.

## ADVERTENCIAS DE SEGURIDAD ADICIONALES

- a) **Evite el arranque no intencional. Asegure que el interruptor esté en la posición apagada antes de recoger o transportar el aparato.** Transportar el aparato con su dedo en el interruptor o energizar el aparato que tenga el interruptor encendido puede provocar accidentes.
- b) **Sólo recargue con el cargador especificado por el fabricante.** Un cargador que es adecuado para un tipo de paquete de batería puede crear un riesgo de incendio cuando se use con otro tipo de batería.
- c) **No use un paquete de batería que esté dañado o modificado.** Las baterías dañadas o modificadas pueden presentar comportamiento imprevisto que resulte en incendio, explosión o riesgo de lesiones.
- d) **No exponga un paquete de batería o aparato a fuego o temperatura excesiva.** La exposición a fuego o temperatura mayor a 266 °F (130 °C) puede causar una explosión.
- e) **Pida que el servicio sea realizado por una persona de reparación calificada usando únicamente partes de reemplazo idénticas.** Esto garantizará que se mantenga la seguridad del producto.
- f) **Sólo use con cargadores S010QU2300040 y S014CU2720050.**

# CONSERVE ESTAS INSTRUCCIONES

## SÍMBOLOS

La etiqueta de su herramienta puede incluir los siguientes símbolos. Los símbolos y sus definiciones son los siguientes:

- V.....voltios
- A.....amperios
- Hz.....hertz
- W.....vatios
- min.....minutos
- ~ o AC.....corriente alterna
- == o DC.....corriente directa
- n<sub>o</sub>.....no velocidad sin carga
- ⚠.....Construcción Clase I
- ⊖.....terminal a tierra  
(mis à la terre)
- .....Construcción de clase II
- ⚠.....símbolo de alerta
- .../min.....revoluciones o minuto seguridad
- Wh.....Watt Horas

## ASSEMBLY

**⚠ WARNING:** Do not attempt to modify or repair the appliance.

## ENSAMBLE

**⚠ ADVERTENCIA:** No intente modificar o reparar el aparato.

### Uso pretendido

Su aspiradora de bastón 3 en 1 inalámbrica de ion de litio BLACK+DECKER se diseñó para propósitos de aspirado en seco ligero. Este aparato está diseñado para uso doméstico únicamente.

### Ensamble (Fig. B, C)

1. Alinee la parte superior del tubo de extensión 6 con la entrada de aspirado 5 como se muestra en la Fig. B.
2. Empuje el tubo de extensión 6 en la entrada de aspirado 5 para que se asegure en su posición.
3. Alinee la parte inferior del tubo de extensión 6 con el cepillo de piso 9 como se muestra en la Fig. C.
4. Presione la parte inferior del tubo de extensión 6 sobre el cepillo del piso 9 para que se asegure en su posición.
5. Para quitar un accesorio, presione el seguro de liberación de accesorios 7 ubicado en la aspiradora o el tubo de extensión y jale suavemente el accesorio conectado.

**⚠ ADVERTENCIA:** Cuando no esté en uso, coloque la unidad con la parte trasera de aspirado viendo a una pared de forma que cualquier caída inadvertida de la unidad haga contacto con la pared y no con personas o mascotas.

Fig. B

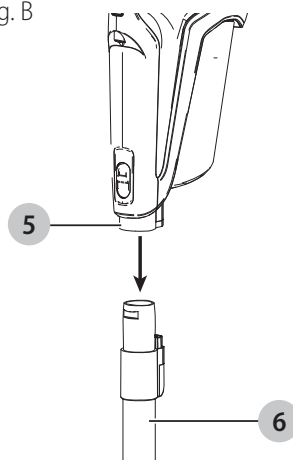
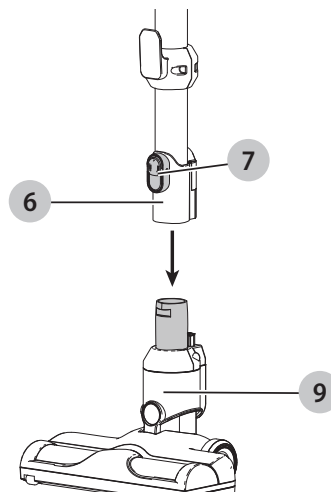


Fig. C



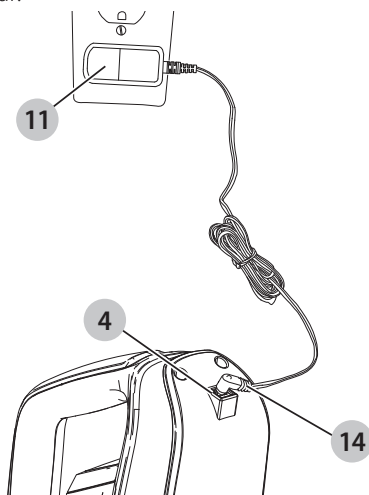
## Carga de la batería (Fig. D)

**⚠ ADVERTENCIA:** *Sólo para uso con el cargador incluido.*

Cuando es nuevo, las celdas recargables del producto necesitan un tiempo de carga mínima de 5 horas para asegurar la energía completa.

- Fig. D - Conecte el enchufe **14** del cargador de enchufe **11** en el puerto de carga **4** de la aspiradora. Conecte el cargador en cualquier tomacorriente de 120 Volts 60 Hz estándar.

Fig. D



- Mientras carga, el cargador se puede calentar, esto es perfectamente normal y seguro. Es seguro dejar el aparato conectado al cargador de forma indefinida. El cargador reduce automáticamente el consumo de energía cuando la carga está completa.

**⚠ ADVERTENCIA:** *No cargue la batería en temperaturas ambiente menores a 39 °F (4 °C) o mayores a 104 °F (40 °C). Siga todas las instrucciones de carga y no cargue el aparato fuera del rango de temperatura especificado en las instrucciones.*

## USO

Esta aspiradora se puede usar en una de cuatro maneras.

- Con el tubo de extensión **6** y el cepillo de piso **9**. (Fig. E)
- Con el cepillo de piso **9** y la aspiradora **15**. (Fig. F)
- Con el tubo de extensión **6** y la herramienta de accesorios 2 en 1 **10**. (Fig. G)
- Con la herramienta de Accesorio 2 en 1 **10** y la aspiradora **14**. (Fig. H)

Fig. E

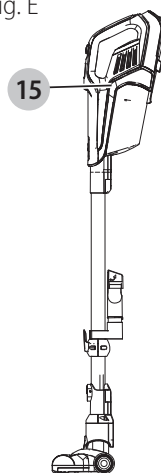


Fig. F

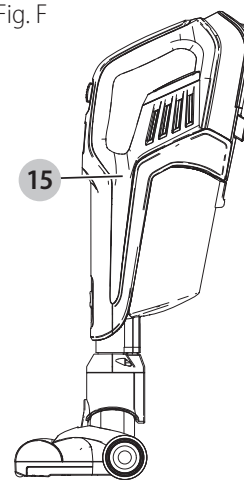
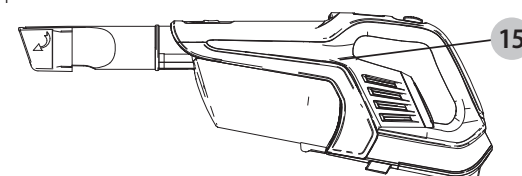


Fig. G



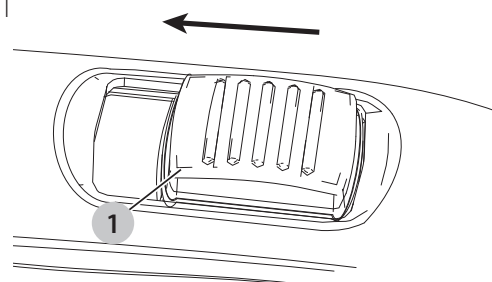
Fig. H



## Encendido y apagado (Fig. I)

- Para encender, deslice el interruptor On/Off **1** hacia el frente a la posición "I".
- Para incrementar la potencia, deslice el interruptor On/Off **1** hacia el frente a la posición "II".
- **NOTA:** El cepillo de piso **9** se encenderá cuando esté conectado a la aspiradora o tubo de extensión. La luz de trabajo LED **12** se iluminará cada vez que se encienda la unidad.
- **NOTA:** Los LED indicadores de estado de carga **3** se iluminarán mientras la aspiradora esté ENCENDIDA.
- Para apagar, deslice el interruptor on/off **1** en la posición "O".
- Regrese el producto al cargador de inmediato después de cada uso de forma que esté listo y completamente cargado para el siguiente uso. Asegúrese que el producto esté completamente conectado con el enchufe del cargador.

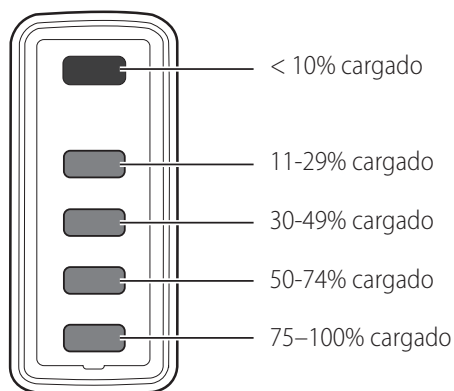
Fig. I



## Indicador de estado de carga

Este aparato incluye un indicador de estado de carga **3** que consiste en cuatro luces LED verdes y una roja que indican el nivel de carga restante en la batería. Esta función sólo está activa cuando la aspiradora está encendida.

El indicador de estado de carga es una indicación de los niveles aproximados de carga restantes en el paquete de batería de acuerdo con los siguientes indicadores:



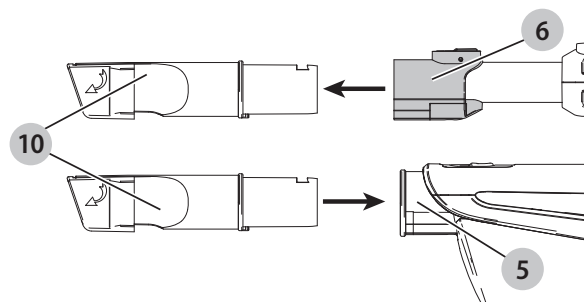
El indicador de batería LED muestra la carga restante y le advierte cuando la batería es baja. El LED rojo parpadeará continuamente cuando la unidad esté casi descargada. Si el LED rojo parpadea continuamente cuando el interruptor se coloca en la posición de ENCENDIDO, conecte el enchufe **14** del cargador de enchufe **11** en el puerto de carga **4** de la aspiradora. Conecte el cargador en cualquier tomacorriente de 120 Volts 60 Hz estándar.

**NOTA:** El indicador de estado de carga sólo es una indicación de la carga que queda en la batería. No indica la funcionalidad de la herramienta y está sujeto a variación en base a los componentes del producto, la temperatura y la aplicación del usuario final.

## Uso de herramienta de accesorio 3 en 1 (Fig. J)

- La herramienta de accesorio 3 en 1 **10** tiene dos configuraciones.
  - Modo de cepillo.
  - Modo de fisura pequeña.
- La herramienta de accesorio 3 en 1 **10** se puede colocar directamente al tubo de extensión **6** o a la entrada de la aspiradora **5** como se muestra en la Figura J.
- Alinee la parte superior de la herramienta de accesorio 3 en 1 **10** con la entrada de aspirado **5** o el tubo de extensión **6** y empújela para que se asegure en su posición como se muestra en la Fig. J.
- La boquilla plana se puede usar para limpiar la esquina de la pared, las escaleras, las grietas de los muebles y las aletas de enfriamiento de electrodomésticos.
- La combinación de una boquilla plana con un cepillo se puede utilizar para limpiar los muebles, cortinas, lámparas y linternas.

Fig. J



## Limpieza y vaciado de aspiradora

**⚠ ADVERTENCIA:** Peligro de Proyectil/  
Respiratorio: Nunca use la aspiradora sin su filtro.

**NOTA:** El filtro es reutilizable, no lo confunda con una bolsa de polvo desechable, y no lo tire cuando se vacíe el producto. Le recomendamos que reemplace el filtro cada 6-9 meses según la frecuencia de uso.

Hay dos métodos para limpiar el depósito, un método de vaciado rápido y un método de limpieza exhaustivo.

### Para vaciar el recipiente de polvo (Fig. K, L, M, O)

- Jale hacia atrás el botón de liberación del depósito de polvo **16** para liberar y retirar el depósito de polvo **8** de la aspiradora **15** como se muestra en la Figura K.
- Use sus dedos índice y pulgar para pellizcar las lengüetas del alojamiento del filtro **17** y levante el alojamiento del filtro **18** del depósito de polvo como se muestra en la Fig. L.
- **NOTA:** El alojamiento del filtro se ajusta cómodamente en el recipiente de polvo y puede ser difícil de quitar al principio.
- Coloque el recipiente de polvo sobre un bote de basura y vacíe el recipiente de polvo.
- Instale el alojamiento del filtro en el depósito de polvo **8** asegurándose que las ranuras del depósito de polvo **19** estén alineadas con las lengüetas del alojamiento del filtro **20** como se muestra en la Fig. M.
- Instale el depósito de polvo en la aspiradora, hasta que "haga clic" firmemente en posición.
- **NOTA:** Asegúrese que el orificio para el polvo **21** esté ubicado hacia la manija principal **2** de la aspiradora y que el botón de liberación del receptáculo de polvo **16** quede alejado de la aspiradora **15** como se muestra en la Fig. O.

Fig. K

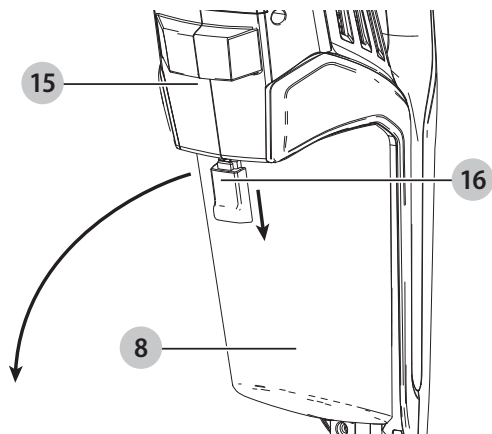


Fig. L

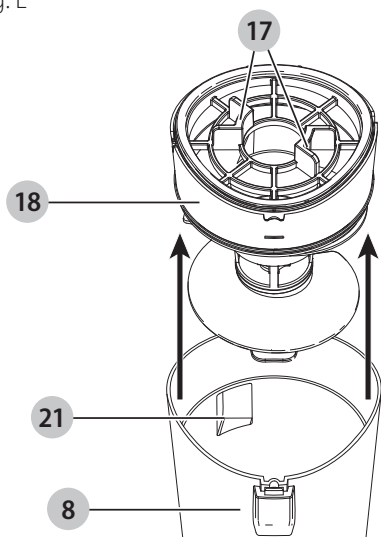


Fig. M

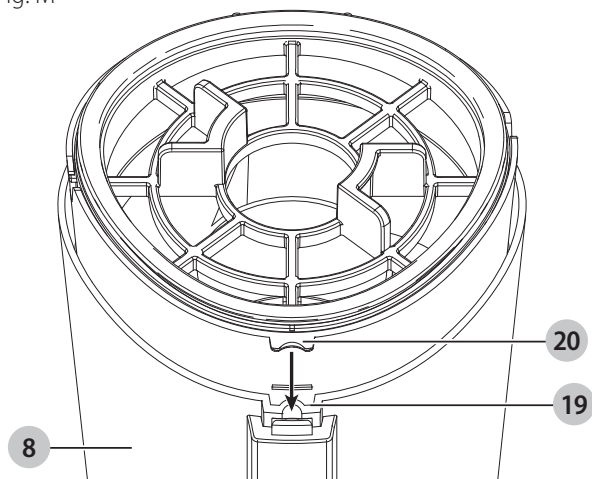
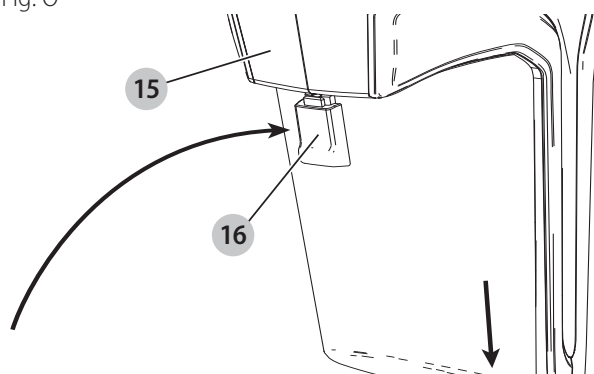


Fig. O



## Limpeza de filtros (Fig. K, L, O, P - R)

- Jale hacia atrás el botón de liberación del depósito de polvo **16** para liberar y retirar el depósito de polvo **8** de la aspiradora **15** como se muestra en la Figura K.
- Use sus dedos índice y pulgar para pellizcar las lengüetas del alojamiento del filtro **17** y levante el alojamiento del filtro **18** del depósito de polvo como se muestra en la Fig. L.
- Una vez que se retira el alojamiento del filtro, utilice los dedos índice y pulgar para apretar las pestañas del alojamiento del filtro **17** y gire el filtro **22** en sentido contrario a las manecillas del reloj y retírelo del alojamiento del filtro como se muestra en la Fig. P.
- Retire el filtro de espuma **23** del alojamiento del filtro como se muestra en la Fig. Q.
- Agite o cepille ligeramente el polvo suelto del filtro de espuma **23** y el filtro **22**.
- Enjuague el depósito de polvo **8** con agua jabonosa tibia.
- Lave los filtros con agua jabonosa tibia.
- Asegúrese que los filtros estén completamente secos antes de volver a colocar los filtros en el alojamiento del filtro **18**.
- Vuelva a colocar el filtro de espuma limpio y seco **23** en el alojamiento del filtro **18**.
- Vuelva a colocar el filtro limpio y seco **22** en el alojamiento del filtro **18** alineando los bloqueos del filtro **24**, ubicados a los lados del filtro, con las ranuras del alojamiento del filtro **25**, ubicadas a los lados del alojamiento del filtro y gire el filtro en el sentido de las manecillas del reloj hasta que se asegure firmemente en su posición como se muestra en la Fig. R.
- Instale el alojamiento del filtro en el depósito de polvo **8** asegurándose que las ranuras del depósito de polvo **19** estén alineadas con las lengüetas del alojamiento del filtro **20** como se muestra en la Fig. M.
- Instale el depósito de polvo en la aspiradora, hasta que "haga clic" firmemente en posición.
- **NOTA:** Asegúrese que el orificio para el polvo **21** esté ubicado hacia la manija principal **2** de la aspiradora y que el botón de liberación del receptáculo de polvo **15** quede alejado de la aspiradora **16** como se muestra en la Fig. O.

**IMPORTANTE:** La recolección máxima de polvo sólo se obtendrá con filtros limpios y un depósito para polvo vacío. Si el polvo comienza a caer del producto después que se apaga, esto indica que el depósito de polvo está lleno y requiere que se vacíe.

- Lave los filtros regularmente utilizando agua jabonosa tibia y asegúrese que estén completamente secos antes de usarlos de nuevo. Mientras más limpio esté el filtro, mejor se desempeñará el producto.
- Es muy importante que los filtros estén completamente secos y correctamente en posición antes del uso.

Fig. P

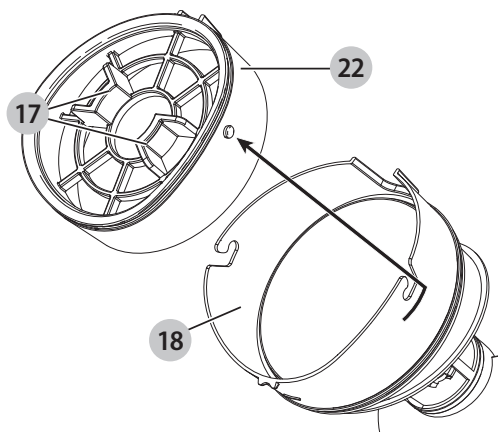


Fig. Q

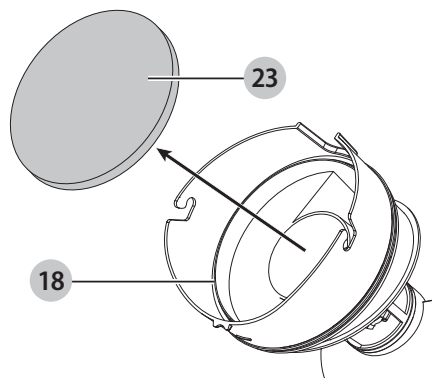
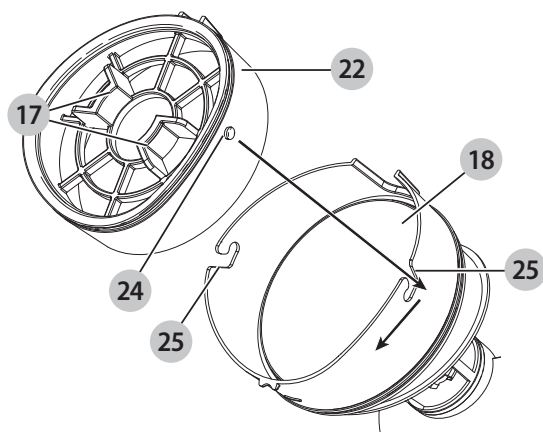


Fig. R



### Extracción y limpieza de los cepillos giratorios (Fig. S, T, U, V, W)

**⚠ ATENCIÓN:** Para reducir el riesgo de lesiones a partir de partes móviles, desconecte el cepillo de piso de la aspiradora antes limpiar o dar servicio.

- Para retirar el cepillo giratorio **26** del cepillo de piso **9**, use una moneda o un destornillador recto para girar el seguro **27** en la placa de bloqueo **28** a la posición desbloqueada **29** como se muestra en la Fig. S.
- Retire la placa de bloqueo **28**.
- Levante el cepillo giratorio y deslice la correa de transmisión **31** hacia un lado como se muestra en la Fig. T. Ahora se puede quitar el cepillo giratorio **26**.
- **NOTA:** Las piezas de extremo **32** también son removibles para permitirle limpiar los cepillos de

cualquier cabello u otros desechos que se puedan haber acumulado como se muestra en la Fig. U.

- Una vez que se haya limpiado el cepillo giratorio, vuelva a instalar el cepillo giratorio en el cepillo para piso **9**.
- Deslice la correa de transmisión **31** sobre el engrane dentado **33** en el cepillo giratorio como se muestra en la Fig. V.
- Instale la placa de bloqueo **28** en el cepillo de piso. Inserte la barra de retención **34** en la ranura **35** en el cepillo de piso **9** que se muestra en la Fig. W.
- Use una moneda o un destornillador recto para girar el bloqueo **27** en la placa de bloqueo **28** a la posición de bloqueo **36** como se muestra en la Fig. W.

Fig. S

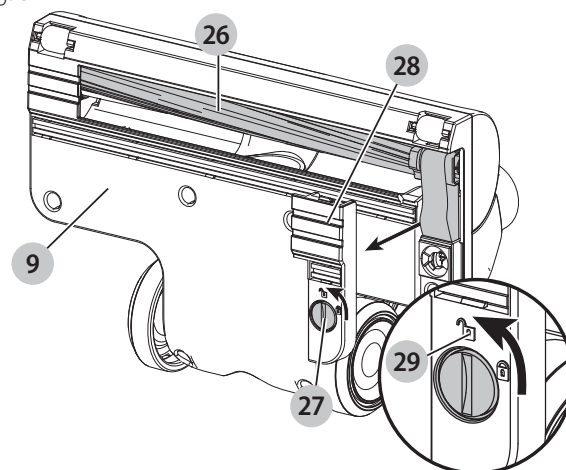


Fig. T

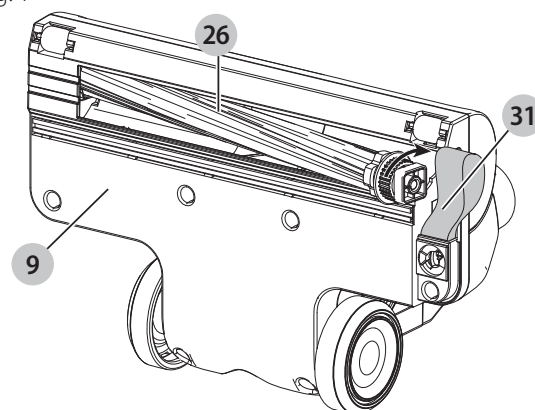


Fig. U

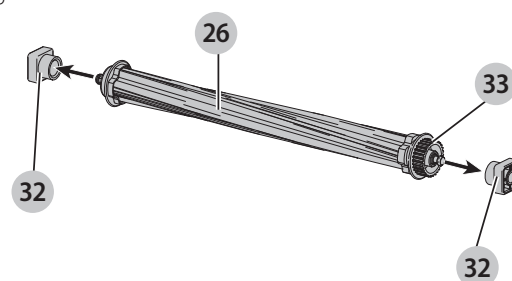


Fig. V

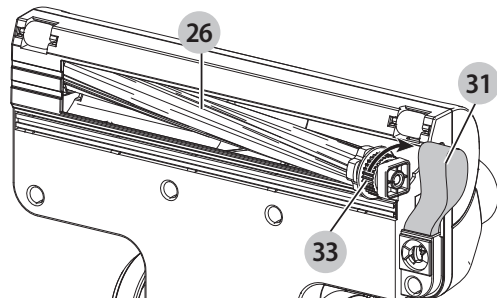
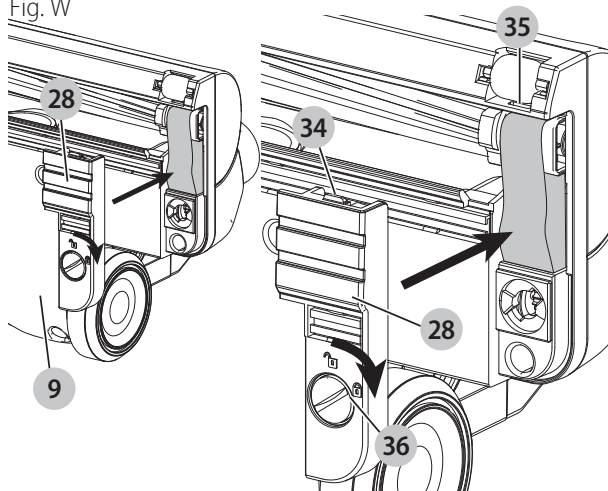


Fig. W

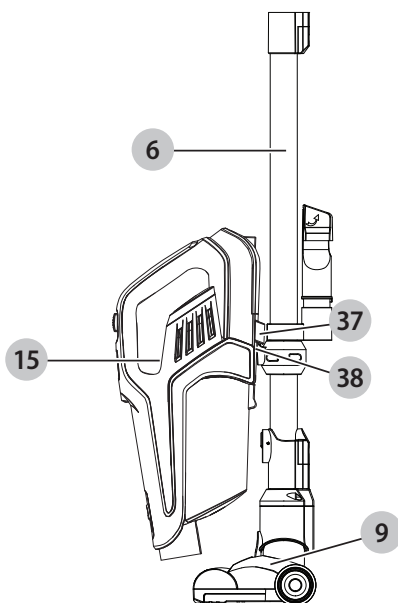


### Almacenamiento de aspiradora

Esta aspiradora puede almacenarse de forma compacta y sostenerse por sí misma.

- Retire la aspiradora **15** del tubo de extensión **6**.
- Coloque el seguro **37** ubicado en la parte posterior de la aspiradora en el gancho de almacenamiento **38**, ubicado en el tubo de extensión **6**, mientras que el cepillo de piso **9** se encuentra en la posición bloqueada como se muestra en la Fig. X.

Fig. X



### Reemplazo de filtros

Los filtros deben reemplazarse cada 6 a 9 meses y siempre que estén desgastados o dañados. Los filtros de repuesto están disponibles en su distribuidor BLACK+DECKER.

Visite [www.blackanddecker.com](http://www.blackanddecker.com) para localizar distribuidores.

- Retire los filtros viejos como se describe en **Limpieza de los filtros**.
- Ajuste los nuevos filtros como se describe en **Limpieza de los filtros**.

(cat. no: SVFK10)

### MANTENIMIENTO

Use sólo jabón suave y una tela húmeda para limpiar la aspiradora. Nunca permita que entre líquido a la aspiradora; nunca sumerja ninguna parte de la aspiradora en líquido.

**⚠ ADVERTENCIA:** Asegúrese que la aspiradora esté completamente seca antes de usarla.

**IMPORTANTE:** Para garantizar la SEGURIDAD y CONFIABILIDAD del producto, las reparaciones, mantenimiento y ajuste (diferentes a las indicadas en este manual) sólo deben realizar por centros de servicio autorizados u otras organizaciones de servicio calificado, utilizando siempre partes de reemplazo idénticas.

### SOLUCIÓN DE PROBLEMAS

**Si el producto no funciona, revise lo siguiente:**

- El cargador se conectó correctamente para recarga. (Se siente ligeramente caliente al tacto.)
- El cable del cargador no está dañado y está conectado correctamente.
- El cargador está conectado en un tomacorriente eléctrico que funciona.
- El interruptor está en la posición "OFF" (apagado) cuando carga.

**Si el rendimiento de la aspiradora es deficiente, verifique lo siguiente:**

- Limpie los filtros. (Consulte la sección "Limpieza y vaciado de la aspiradora").
- Vacíe el depósito de polvo. (Consulte la sección "Limpieza y vaciado de la aspiradora").
- Limpie los cepillos giratorios. (Consulte la sección "Extracción y limpieza de cepillos giratorios").

El LED rojo parpadea continuamente, conecte el cargador y realice un ciclo de recarga. Solamente para Propósitos de México

Para conocer la ubicación del centro de servicio más cercano a fin de recibir ayuda con su producto, visite nuestro sitio Web [www.blackanddecker.com.mx](http://www.blackanddecker.com.mx) o llame a la línea de ayuda BLACK+DECKER al **01 800 847 2309/01 800 847 2312**.

### ACCESORIOS

Los accesorios recomendados para uso con el artefacto están disponibles en su distribuidor o centro de mantenimiento

## ESPAÑOL

autorizado local. Si necesita ayuda con respecto a los accesorios, llame al: **1-800-544-6986**.



**ADVERTENCIA:** *El empleo de cualquier accesorio no recomendado para uso con este artefacto puede ser peligroso.*

## INFORMACIÓN DE MANTENIMIENTO

Todos los Centros de servicio de BLACK+DECKER cuentan con personal altamente capacitado dispuesto a brindar a todos los clientes un servicio eficiente y confiable en la reparación de herramientas eléctricas. Si necesita consejo técnico, reparaciones o piezas de repuesto originales de fábrica, póngase en contacto con el centro de servicio de BLACK+DECKER más cercano a su domicilio. Para ubicar su centro de servicio local, llame al 1-800-544-6986 o visite nuestro sitio [www.blackanddecker.com](http://www.blackanddecker.com).

## GARANTÍA LIMITADA DE DOS AÑOS

Black & Decker (U.S.) Inc. garantiza que este producto está libre de defectos de material o mano de obra durante un período de dos (2) años desde la fecha de compra, siempre y cuando el producto se utilice en un entorno doméstico. Esta garantía limitada no cubre contra fallas debidas a mal uso, daño accidental o cuando se han realizado o intentado reparaciones por parte de cualquier otra persona ajena a BLACK+DECKER y sus centros de mantenimiento autorizados. Un producto defectuoso que cumple con las condiciones de la garantía establecidas en el presente documento será reemplazado o reparado sin costo de una dos maneras:

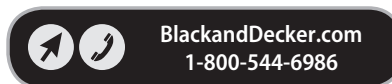
La primera, que únicamente dará lugar a intercambios, consiste en devolver el producto al comerciante minorista donde fue comprado (siempre y cuando la tienda sea un comerciante minorista participante). Las devoluciones deben realizarse dentro del período establecido en la política para intercambios del comerciante minorista. Es posible que se requiera el comprobante de compra. Consulte al comerciante minorista sobre su política específica de devoluciones con respecto a los límites de tiempo para devoluciones o intercambios.

La segunda opción es llevar o enviar (pagado por adelantado) el producto a un centro de mantenimiento de propiedad o con autorización de BLACK+DECKER para su reparación o reemplazo a discreción de BLACK+DECKER. Es posible que se requiera un comprobante de compra. Los centros de mantenimiento de propiedad o con autorización de BLACK+DECKER en línea en [www.blackanddecker.com](http://www.blackanddecker.com).

Esta garantía no se aplica a los accesorios. Esta garantía le otorga derechos legales específicos y es posible que tenga otros derechos que varían de un estado a otro. En caso de que tenga alguna pregunta, comuníquese con el gerente del centro de mantenimiento de BLACK+DECKER más cercano a usted. Este producto no está diseñado para uso comercial y, en consecuencia, dicho uso comercial de este producto anulará la garantía. Por medio del presente documento, se declina la responsabilidad de todas las demás garantías, explícitas o implícitas.

AMÉRICA LATINA: Esta garantía no se aplica a productos vendidos en América Latina. Para los productos que se venden en América Latina, consulte la información de garantía específica del país contenida en el empaque, llame a la compañía local o visite el sitio web para obtener dicha información.

Importado por Black & Decker (U.S.) Inc.,  
701 E. Joppa Rd.  
Towson, MD 21286









## SOLAMENTE PARA PROPOSITOS DE MEXICO

### **Grupo Realsa en herramientas, S.A. de C.V.**

Súper Manzana 69 MZ.01 Lote 30  
(Av. Torcasita)  
Col. Puerto Juárez  
Cancún, Quintana Roo  
Tel. 01 998 884 72 27

### **Ferre Pat de Puebla, S.A. de C.V.**

16 de Septiembre No. 6149  
Col. El Cerrito  
Puebla, Puebla  
Tel. 01 222 264 12 12

### **Ferre Pat de Puebla, S.A. de C.V.**

Ejército Mexicano No. 15  
Col. Ejido 1ro. de Mayo  
Boca del Rio, Veracruz  
Tel. 01 229 167 89 89

### **Servicio de Fabrica BLACK+DECKER, S.A. de C.V.**

Lázaro Cardenas No. 18  
Col. Obrera  
Distrito Federal  
Tel. 55 88 95 02

### **Representaciones Industriales Robles, S.A. de C.V.**

Tezozomoc No. 89  
Col. La Preciosa  
Distrito Federal  
Tel. 55 61 86 82

### **Gpo. Comercial de Htas. y Refacciones de Occidente, S.A. de C.V.**

Av. La Paz No. 1779  
Col. Americana, S. Juárez  
Guadalajara, Jalisco  
Tel. 01 33 38 25 69 78

### **Herramientas y Equipos Profesionales**

Av. Colón 2915 Ote.  
Col. Francisco I. Madero  
Monterrey, Nvo. León  
Tel. 01 81 83 54 60 06

### **Htas. Portátiles de Chihuahua, S.A. de C.V.**

Av. Universidad No. 2903  
Col. Fracc. Universidad  
Chihuahua, Chihuahua  
Tel. 01 614 413 64 04

### **Fernando González Armenta**

Bolivia No. 605  
Col. Felipe Carrillo Puerto  
Cd. Madero, Tamaulipas  
Tel. 01 833 221 34 50

### **Perfiles y Herramientas de Morelia**

Gertrudis Bocanegra No. 898  
Col. Ventura Puente  
Morelia, Michoacán  
Tel. 01 443 313 85 50

### **Enrique Robles**

Av. de la Solidaridad No. 12713  
Col. La Pradera  
Irapuato, Guanajuato  
Tel. 01 462 626 67 39

### **Hernández Martinez Jeanette**

Prolongación Corregidora Nte. No. 1104  
Col. Arboledas  
Queretaro, Qro.  
Tel. 01 442 245 25 80

**PARA OTRAS LOCALIDADES LLAME AL 01 800 847 2309 o 01 800 847 2312.**

BLACK & DECKER S.A. DE C.V.  
BOSQUES DE CIDROS ACCESO RADIATAS NO. 42  
COL. BOSQUES DE LAS LOMAS.  
05120 MÉXICO, D.F.  
TEL. (01 55) 5326 7100  
01 800 847 2309/01 800 847 2312

Black & Decker (U.S.) Inc.  
701 East Joppa Road, Towson, MD 21286  
Part No. N604793  
HFEK520J, HFEK620J  
JULY 2018

Copyright © 2018 BLACK+DECKER