

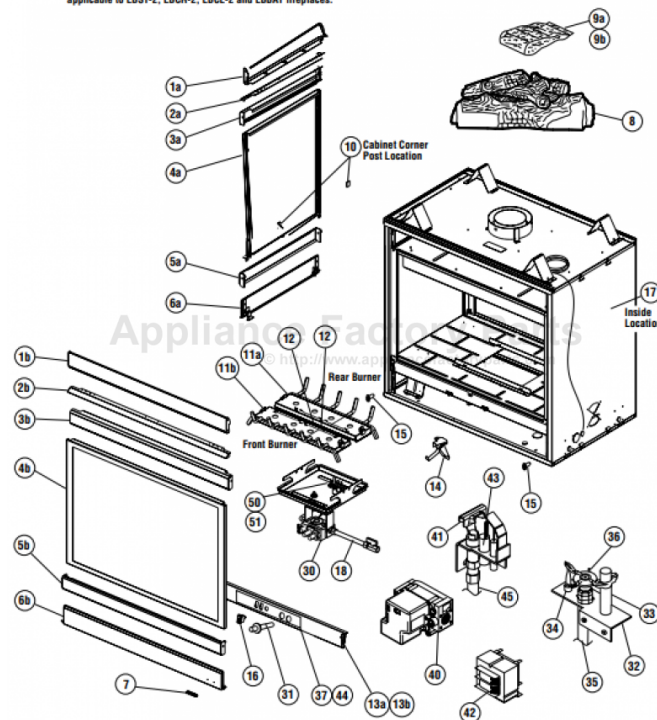


# LENNOX HEARTH EBBAYNM Owner's Manual

[Shop genuine replacement parts for LENNOX HEARTH  
EBBAYNM](#)

## REPLACEMENT PARTS

Note: - EBPf-2 Shown - see the tables on pages 20 and 21 for replacement parts applicable to EBST-2, EBCR-2, EBCL-2 and EBBAY fireplaces.



[Find Your LENNOX HEARTH Fireplace Parts - Select From 237 Models](#)

----- Manual continues below -----

# LENNOX®

HEARTH PRODUCTS



EBST (See-through)



EBPf (Peninsula)



EBCL (Corner-Left)



EBCR (Corner-Right)

RETAIN THESE INSTRUCTIONS  
FOR FUTURE REFERENCE



OMNI-Test Laboratories, Inc.

OTL Report No. 116-F-07-5

**WARNING: IF THE INFORMATION IN THIS MANUAL IS NOT FOLLOWED EXACTLY, A FIRE OR EXPLOSION MAY RESULT CAUSING PROPERTY DAMAGE, PERSONAL INJURY OR LOSS OF LIFE.**

**FOR YOUR SAFETY:** Do not store or use gasoline or other flammable vapors or liquids in the vicinity of this or any other appliance.

**FOR YOUR SAFETY:** What to do if you smell gas:

- DO NOT light any appliance.
- DO NOT touch any electrical switches.
- DO NOT use any phone in your building.
- Immediately call your gas supplier from a neighbor's phone.

Follow your gas suppliers instructions.

- If your gas supplier cannot be reached, call the fire department.

Installation and service must be performed by a qualified installer, service agency or the gas supplier.

## HOMEOWNER'S CARE AND OPERATION INSTRUCTIONS

### B-VENT MULTI-OPEN ELITE® SERIES

B-VENTED GAS APPLIANCES  
P/N 875,012M REV. D 05/2004

#### MODELS

##### Millivolt Models

EBSTNM-2	EBCRNM-2	EBSTNE-2	EBCRNE-2
EBSTPM-2	EBCRPM-2	EBSTPE-2	EBCRPE-2
EBPFNM-2	EBCLNM-2	EBPFNE-2	EBCLNE-2
EBPFPM-2	EBCLPM-2	EBPFPE-2	EBCLPE-2
EBBAYNM	EBBAYNP	EBBAYNE	

##### Electronic Models

**AVERTISSEMENT: ASSUREZ-VOUS DE BIEN SUIVRE LES INSTRUCTIONS DONNÉES DANS CETTE NOTICE POUR RÉDUIRE AU MINIMUM LE RISQUE D'INCENDIE OU POUR ÉVITER TOUT DOMMAGE MATÉRIEL, TOUTE BLESSURE OU LA MORT.**

**POUR VOTRE SÉCURITÉ:** Ne pas entreposer ni utiliser d'essence ni d'autres vapeurs ou liquides inflammables dans le voisinage de cet appareil ou de tout autre appareil.

**POUR VOTRE SÉCURITÉ:** Que faire si vous sentez une odeur de gaz:

- Ne pas tenter d'allumer d'appareil.
- Ne touchez à aucun interrupteur. Ne pas vous servir des téléphones se trouvant dans le bâtiment où vous vous trouvez.
- Evacuez la pièce, le bâtiment ou la zone.
- Appelez immédiatement votre fournisseur de gaz depuis un voisin. Suivez les instructions du fournisseur.
- Si vous ne pouvez rejoindre le fournisseur de gaz, appelez le service des incendies.

L'installation et service doit être exécuté par un qualifié installateur, agence de service ou le fournisseur de gaz.

## CONGRATULATIONS!

In selecting this LENNOX B-Vented Gas Appliance you have chosen the finest and most dependable fireplace to be found anywhere. Its a beautiful, prestigious alternative to a wood burning fireplace. Welcome to a Family of tens of thousands of satisfied LENNOX Fireplace Owners.

Please carefully read and follow all of the instructions found in this manual. Please pay special attention to the safety instructions provided in this manual. The Homeowner's Care and Operation Instructions included here will assure that you have many years of dependable and enjoyable service from your LENNOX product.

## TABLE OF CONTENTS

Introduction .....	page 2
General Information .....	page 2
Operation/Care of Your Appliance .....	page 3
Gas Controls/Control Compartment, Access .....	page 4
Variable Flame Adjustment .....	page 5
Outside Combustion Air Control .....	page 5
Venting Action and Safety Limit .....	page 5
Maintenance .....	page 6
Front Glass Enclosure Panel, Removal and Installation .....	page 6
Maintenance Schedule .....	page 7
Burner Adjustments .....	page 8
Log Placement .....	page 9
Vermiculite and Black/Gray Ceramic Fiber Chunks Placement .....	page 9
Millivolt Appliance Checkout .....	page 9
Electronic Appliance Checkout .....	page 10
Wiring Diagrams .....	page 10
Warranty .....	page 10
Replacement Parts .....	page 10
Product Reference Information .....	page 10
Accessory Components .....	page 11
Lighting Instructions – Millivolt .....	page 14
Lighting Instructions – Electronic .....	page 16
Troubleshooting Guide – Millivolt .....	page 18
Troubleshooting Guide – Electronic .....	page 19
Replacement Parts List .....	page 21

## INTRODUCTION

The millivolt appliances are designed to operate on either natural or propane gas. A millivolt gas control valve with piezo ignition system provides safe, efficient operation. If any optional accessories which require electrical power are being installed, the electrical power must be provided at the time of appliance installation.

The electronic appliances are designed to operate on either natural or propane gas. An electronic intermittent pilot system provides safe, efficient operation. External electrical power is required to operate these units.

These appliances comply with National Safety Standards and are tested and listed by Omni-Test Laboratories (Report No. 116-F-07-5) to ANSI Z21.50 - 2000 (in Canada, CSA 2.22 - 2000), and CAN/CGA-2.17-M91 in both USA and Canada, as vented gas fireplaces.

Installation must conform to local codes. In the absence of local codes, installation must comply with the current National Fuel Gas Code, ANSI Z223.1 (NFPA 54). (In Canada, the current CAN/CGA B149 installation code.) Electrical wiring must comply with local codes. In the absence of local codes, installation must be in accordance with the National Electrical Code, NFPA 70 - (latest edition). (In Canada, the current CSA C22.1 Canadian Electric Code.)

**DO NOT ATTEMPT TO ALTER OR MODIFY THE CONSTRUCTION OF THE APPLIANCE OR ITS COMPONENTS. ANY MODIFICATION OR ALTERATION MAY VOID THE WARRANTY, CERTIFICATION AND LISTINGS OF THIS UNIT.**

**WARNING: IMPROPER INSTALLATION, ADJUSTMENT, ALTERATION, SERVICE OR MAINTENANCE CAN CAUSE INJURY OR PROPERTY DAMAGE. REFER TO THIS MANUAL. FOR ASSISTANCE OR ADDITIONAL INFORMATION CONSULT A QUALIFIED INSTALLER, SERVICE AGENCY OR THE GAS SUPPLIER.**

## GENERAL INFORMATION

**Note:** Installation and repair should be performed by a qualified service person. The appliance should be inspected annually by a qualified professional service technician. More frequent inspections and cleanings may be required due to excessive lint from carpeting, bedding material, etc. It is imperative that the control compartment, burners and circulating air passage ways of the appliance be kept clean.

*S'assurer que le brûleur et le compartiment des commandes sont propres. Voir les instructions d'installation et d'utilisation qui accompagnent l'appareil.*

Provide adequate clearances around air openings and adequate accessibility clearance for service and proper operation. Never obstruct the front openings of the appliance.

Due to high temperatures the appliance should be located out of traffic and away from furniture and draperies. Locate furniture and window coverings accordingly.

**WARNING: THESE FIREPLACES ARE VENTED DECORATIVE GAS APPLIANCES. DO NOT BURN WOOD OR OTHER MATERIAL IN THESE APPLIANCES.**

**These appliances are designed to operate on natural or propane gas only.**

Input of millivolt models is shown in the following table:

Millivolt Models	
Natural and Propane Gas Models	Input rate (BTU/H) Manually-modulated
EBSTNM-2, EBPFFM-2, EBSTPM-2, EBPFFM-2, EBBAYNM, EBBAYNP	30,000 TO 37,500
EBCLNM-2, EBCRNM-2, EBCLPM-2, EBCRPM-2	26,000 TO 34,000

Input of electronic models is shown in the following table:

Electronic Models	
Natural and Propane Gas Models	Input rate (BTU/H) Fixed Rate
EBSTNE-2, EBPFFE-2, EBSTPE-2, EBPFFE-2, EBBAYNE	37,500
EBCLNE-2, EBCRNE-2, EBCLPE-2, EBCRPE-2	34,000

The following table shows the units' gas orifice size for the elevations indicated:

Model No.	Orifice size*		Elevation Feet (meters)
	Nat.	Prop.	
EBST-2 EBPF-2 EBBAY	#44	#55	0-4500 (0-1372)
EBCR-2 EBCL-2	#47	0.05"	

\* Each model has two burners. Each burner contains one of these orifices.

Maximum manifold pressure is 3.5 in. w.c. (0.87 kPa) for natural gas and 10 in. w.c. (2.49 kPa) for LP/Propane gas.

Do not use these appliances if any part has been under water. Immediately call a qualified, professional service technician to inspect the appliance and to replace any parts of the control system and any gas control which have been under water.

Ne pas se servir de cet appareil s'il a été plongé dans l'eau, complètement ou en partie. Appeler un technicien qualifié pour inspecter l'appareil et remplacer toute partie du système de contrôle et toute commande qui ont été plongés dans l'eau.

Test gage connections are provided on the front of the millivolt gas control valve (identified OUT for the manifold side and IN for inlet pressure. A 1/8" NPT test gage connection is provided on the electronic gas control valve adjacent to the outlet to the main burner.

Minimum inlet gas pressure to these appliances is 5.0 inches water column (1.24 kPa) for natural gas and 11 inches water column (2.74 kPa) for propane for the purpose of input adjustment.

Maximum inlet gas supply pressure to these appliances is 10.5 inches water column (2.61 kPa) for natural gas and 13.0 inches water column (3.23 kPa) for propane.

The appliance must be isolated from the gas supply piping system (by closing its individual manual shut-off valve) during any pressure testing of the gas supply piping system at test pressures equal to or less than 1/2 psig (3.5 kPa).

The appliance and its individual shut-off valve must be disconnected from the gas supply piping system during any pressure testing of that system at pressures in excess of 1/2 psig (3.5 kPa).

These appliances must not be connected to a chimney or flue serving a separate solid fuel burning appliance.

Any safety guard or screen removed for servicing the appliance must be replaced prior to operating the appliance.

**WARNING: B-VENT APPLIANCES ARE NOT DESIGNED TO OPERATE IN NEGATIVELY PRESSURED ENVIRONMENTS (PRESSURE WITHIN THE HOME IS LESS THAN PRESSURES OUTSIDE). SIGNIFICANT NEGATIVELY PRESSURED ENVIRONMENTS CAUSED BY WEATHER, HOME DESIGN, OR OTHER DEVICES MAY IMPACT THE OPERATION OF THESE APPLIANCES. NEGATIVE PRESSURES MAY RESULT IN POOR FLAME APPEARANCE, SOOTING, DAMAGE TO PROPERTY AND/OR SEVERE PERSONAL INJURY. DO NOT OPERATE THESE APPLIANCES IN NEGATIVELY PRESSURED ENVIRONMENTS. PROVIDING ADEQUATE VENTILATION TO THE APPLIANCE FOR COMBUSTION AIR WILL ELIMINATE A NEGATIVE PRESSURE ENVIRONMENT.**

**WARNING: FAILURE TO COMPLY WITH THE INSTALLATION AND OPERATING INSTRUCTIONS PROVIDED IN THIS DOCUMENT WILL RESULT IN AN IMPROPERLY INSTALLED AND OPERATING APPLIANCE, VOIDING ITS WARRANTY. ANY CHANGE TO THIS APPLIANCE AND/OR ITS OPERATING CONTROLS IS DANGEROUS. IMPROPER INSTALLATION OR USE OF THIS APPLIANCE CAN CAUSE SERIOUS INJURY OR DEATH FROM FIRE, BURNS, EXPLOSION OR CARBON MONOXIDE POISONING.**

**Carbon Monoxide Poisoning: Early signs of carbon monoxide poisoning are similar to the flu with headaches, dizziness and/or nausea. If you have these signs, obtain fresh air immediately. Turn off the gas supply to the appliance and have it serviced by a qualified professional, as it may not be operating correctly.**

**WARNING: CHILDREN AND ADULTS SHOULD BE ALERTED TO THE HAZARDS OF HIGH SURFACE TEMPERATURES. USE CAUTION AROUND THE APPLIANCE TO AVOID BURNS OR CLOTHING IGNITION. YOUNG CHILDREN SHOULD BE CAREFULLY SUPERVISED WHEN THEY ARE IN THE SAME ROOM AS THE APPLIANCE.**

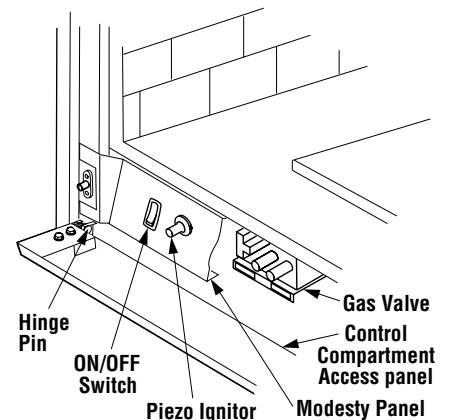
**WARNING: DO NOT PLACE CLOTHING OR OTHER FLAMMABLE MATERIALS ON OR NEAR THIS APPLIANCE.**

**AVERTISSEMENT: SURVEILLER LES ENFANTS. GARDER LES VÊTEMENTS, LES MEUBLES, L'ESSENCE OU AUTRES LIQUIDES À VAPEUR INFLAMMABLES LOIN DE L'APPAREIL.**

**OPERATION AND CARE OF YOUR APPLIANCE**

Appliance operation may be controlled by the following means: the factory provided modesty panel-mounted ON-OFF control switch, an optional wall-mounted ON-OFF switch or optional remote control.

The modesty panel mounted ON-OFF control switch is located behind the control compartment access panel, below the appliance front glass enclosure panel. See **Figure 1**.



**Control Compartment Access - Millivolt Control Valve Shown**

**Figure 1**

## Gas Controls/Control Compartment Access

The gas controls can be found behind the control compartment access panel.

To open the control compartment access panel, actuate the spring-loaded magnetic catches securing the panel, by gently depressing the outer top corners of the panel until the catches "pop" the door free, allowing it to swing out and down to open.

On millivolt systems, the piezo ignitor, Hi/Lo flame adjustment knob, and pilot and main gas ON/OFF control knob are located on the modesty panel. On both millivolt and electronic systems the gas valve is located behind the modesty panel. Refer to **Figure 1**.

Remove the bottom control compartment access panel by compressing the spring-loaded hinge pin on the left side until it disengages from the left cabinet panel hole. Pull the panel away from the fireplace.

Once the control compartment access panel has been removed, the modesty panel can be removed as follows: pull the bottom right corner of the modesty panel out slightly to disengage the snap-fit feature; lift the modesty panel by the tab on the panel's right end, pull the right end of the panel away from the cabinet and then pull the panel diagonally out of the left side cabinet panel slots. (In the above procedure, reverse the words "left" and "right" for EDCR-2 models).

Remove the modesty panel carefully, so that none of the wires become loose or disconnected. Now complete access to the gas control valve and its related controls is attainable.

To ease door closure, depress the catches to place them in their retracted position, then close the door.

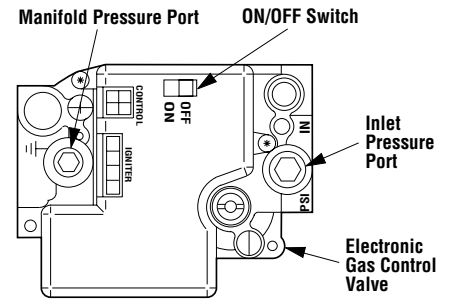
Operation of millivolt and electronic gas control systems are different. Before lighting and operating your appliance determine if you have a millivolt or electronic appliance. Refer to **Figure 1 on page 4** for access to the gas control valve. Millivolt appliances will be fitted with the gas control valve shown in **Figure 2**.

Appliances with electronic systems will be fitted with the electronic valve shown in **Figure 3**. Familiarize yourself with the gas control valve that your appliance uses.

### Millivolt Appliances -

To light millivolt appliances refer to the detailed lighting instructions found on **page 13 (English) and page 14 (French)**. **Millivolt appliance lighting instructions may also be found on the pull out lighting instruction labels attached to the gas control valve.**

Millivolt appliances are fitted with a burner ON/OFF control switch (rocker switch). See **Figure 1 on page 3** for its location. Once the pilot is lit, the ON/OFF rocker switch will control the appliance ON/OFF operation. To operate: Toggle the switch between its ON and OFF positions.



**Honeywell Electronic Gas Valve**

**Figure 3**

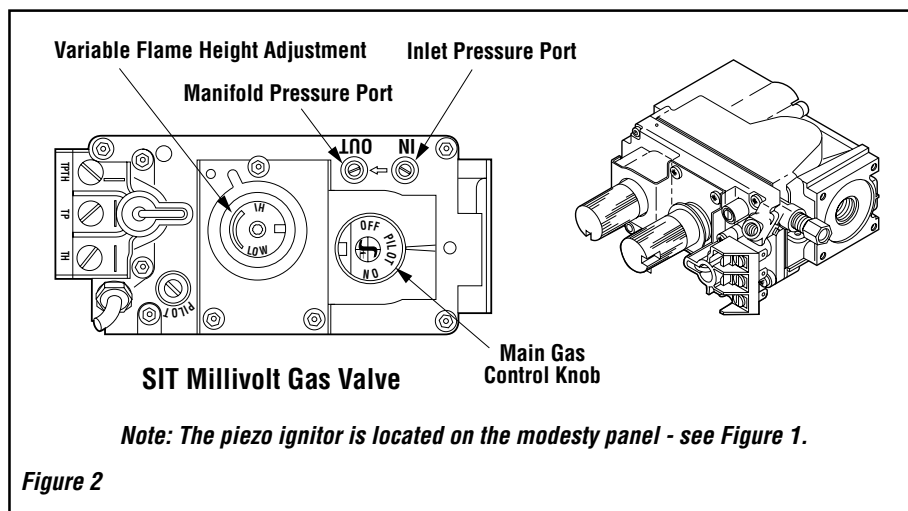
If your millivolt appliance is equipped with an optional wall-mounted ON/OFF switch or remote control kit and the pilot is lit, the appliance main burner may be turned on and off with the wall switch or remote control.

### Electronic Appliances -

To light electronic appliances refer to the detailed lighting instructions found in both English and French on **pages 15 and 16** of these instructions respectively. **Electronic appliance lighting instructions may also be found on the pull out lighting instruction labels attached to the gas control valve.**

Electronic appliances are fitted with a ON/OFF burner control switch (rocker switch). See **Figure 1 on page 3** for its location. The electronic system will go through the whole lighting sequence automatically once the rocker switch is toggled to the ON position.

If your electronic appliance is equipped with an optional wall-mounted ON/OFF switch or remote control kit the appliance main burner may be turned on and off with the wall switch or remote control.



**Figure 2**

## Variable Flame Height Adjustment ( Millivolt Appliances only)

1. All Millivolt appliances are equipped with a variable gas control valve. Flame height for these models may be adjusted through a range between fixed low and high settings while the appliance is in operation.

Adjust the flame height as desired after lighting the appliance by rotating the variable adjustment control knob located on the front of the valve (*refer to Figure 2*). (An extension is provided to this knob so that the adjustment may be made at the modesty panel.)

2. When lit for the first time, this appliance will emit a slight odor for 14 hours. This is due to the "burn-in" of internal paints and lubricants used in the manufacturing process.

3. Keep lower control compartment clean by vacuuming or brushing at least twice a year. More frequent cleaning may be required due to excessive lint from carpeting, bedding materials, etc. It is important that control compartments, burners and circulating air passage-ways of the appliance be kept clean.

4. Always turn off gas to the pilot (millivolt appliances) and let the unit cool down before cleaning. Before re-lighting, refer to the lighting instructions in this manual. **Lighting instructions may also be found on the pull out lighting instruction labels attached to the gas control valve.**

5. Always keep the appliance area clear and free from combustible materials, gasoline and other flammable liquids.

6. Remember, Millivolt appliances have a continuous burning pilot flame. Exercise caution when using products with combustible vapors.

7. Clean the front glass enclosure only when necessary and when the unit is cool. Wipe surface with clean, dampened, soft cloth. Follow with dry, soft towel as desired. Take care not to scratch the glass surface.

**WARNING: DO NOT USE ABRASIVE CLEANERS. NEVER CLEAN THE GLASS WHEN IT IS HOT.**

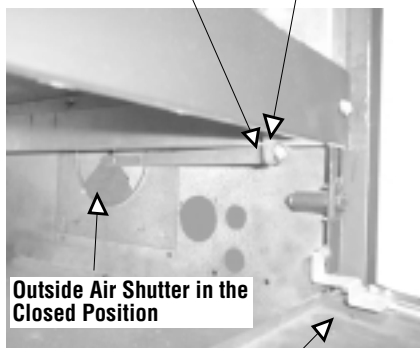
**CAUTION: DO NOT TOUCH THE FRONT ENCLOSURE GLASS WITH YOUR HANDS WHILE THE FIREPLACE IS IN USE.**

### Outside Combustion Air Controls

Many appliances are equipped, when installed, with an outside (make-up air) vent system that is designed to provide the appliance with outside make-up air for combustion when in operation. The outside air control lever for the outside air system is standard on all appliances but should not be operated if the complete system is not installed. Refer to **Figure 4**. When the complete outside air vent system is installed, the installer will remove the securing screw from the combustion air control lever located on the right side (EBST-2, EBPF-2 and EBCL-2), or left side (EBCR-2) of the fireplace opening.

If the securing screw has not been removed and you have reason to believe that you have a complete outside air system, contact your distributor to have your appliance inspected for the presence of the complete system. **DO NOT** assume that you have this system in place.

Outside Air Control Lever with Stop Behind  
Securing Screw



Control Compartment Access Panel

Outside Air Control Lever  
and Securing Screw Location  
(EBST-2, EBPF-2 and EBCR-2 Units Shown)

Figure 4

**WARNING: DO NOT OPERATE THE SHUTOFF LEVER UNLESS A COMPLETE OUTSIDE COMBUSTION AIR SYSTEM HAS BEEN INSTALLED WITH YOUR APPLIANCE.**

To open the outside air shutter, open the bottom control access panel, reach into the gap between the firebox bottom and the modesty panel, and pull the outside air control lever all the way out. The outside air shutter should be fully open when the fireplace is in use and completely closed when the fireplace is not being used. Closing it when not in use will prevent outside cold air from entering the dwelling.

### Venting Action and Safety Limit Operation

**If you suspect that the appliance is not venting properly, or you notice windows fogging or sweating, you may want to conduct the following spillage test:**

- 1 - Place unit in its normally-operated condition, that is, with the glass enclosure panels in place.
- 2 - Close all doors and windows in the room. Turn on all exhaust fans in the house.
- 3 - Light the appliance.
- 4 - Wait 15 minutes.
- 5 - To check for venting action, start by holding a smoke producing device within an inch of one edge (side edge, not top or bottom edge) of one glass enclosure panel. The smoke should be drawn toward the edge of the glass enclosure panel. Continue the test by moving the smoke producing device along the entire length of both side-edges of the glass door. Repeat the test for all glass enclosure panels.
- 6 - **If the smoke is not drawn towards the edges of the glass door turn off the appliance and call a qualified service technician.**

### Manual-Reset Safety Limit Switch

This appliance is equipped with a manual-reset blocked flue safety limit switch. Refer to **Figure 5** for its location. If, during appliance operation, the flame goes out (independently of the burner on/off wall switch), it may be due to the operation of this safety limit switch. **First allow the appliance to cool**, then reset the safety switch by pushing the red reset button on it.

**A** - To access the blocked flue safety switch when top radiant panel **is not covered** with non-combustible material:

- 1 - Lift up and remove top radiant panel/eyebrow assembly on the control side of unit.
- 2 - Reach between the cabinet side and the firebox side wall and locate the blocked flue safety switch.
- 3 - Push the red reset button on the switch.

The appliance should then relight and remain lit. If this does not occur, **turn off the appliance and call a qualified service technician.**

**B** - To access the blocked flue safety switch when top radiant panel **is covered** with non-combustible material:

**Note:** *This procedure should only be performed by a qualified service technician.*

- 1 - Lower bottom hinged panel on the control side of the fireplace. Remove the modesty panel and glass enclosure panel as described on **page 8**, under "**Remove the front glass enclosure panel as follows:**", **Steps 2, 3, 4, 5 and 6.**
- 2 - Remove the side baffle securing screws (5) and then remove the baffle.
- 3 - Remove the safety switch bracket securing screws (2), and pull the switch/bracket assembly through the side panel slot.
- 4 - Push the red reset button on the switch.
- 5 - Reinstall the switch/bracket assembly.
- 6 - Reinstall the side baffle.
- 7 - Reinstall front glass door.
- 8 - Raise the bottom hinged panel.

The appliance should then relight and remain lit. If this does not occur, check unit for a blocked flue condition.

### Maintenance

The appliance and venting system should be thoroughly inspected before initial use and at least annually by a qualified service technician. However, more frequent periodic inspections and cleanings should be performed by the homeowner. **Homeowner must contact a qualified service technician at once if any abnormal condition is observed.**

Refer to the maintenance schedule for maintenance tasks, procedures, periodicity and by whom they should be performed. Always verify proper operation of the appliance after servicing.

**IMPORTANT: TURN OFF GAS AND ANY ELECTRICAL POWER BEFORE SERVICING THE APPLIANCE.**

### Front Glass Enclosure Panel, Removal and Installation.

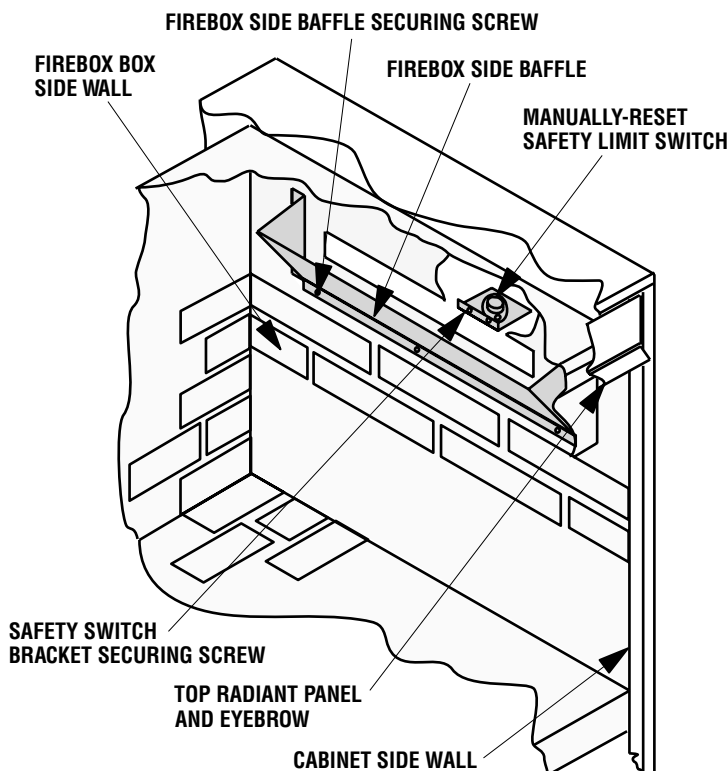
**WARNING: NEVER OPERATE THE APPLIANCE WITHOUT THE GLASS ENCLOSURE PANELS IN PLACE AND SECURE. DO NOT OPERATE APPLIANCE WITH FRONT GLASS CRACKED, BROKEN OR MISSING. REPLACEMENT MUST BE DONE BY A LICENSED OR QUALIFIED SERVICE TECHNICIAN.**

These fireplaces are designed to operate only with the glass enclosure panels properly installed. Generally the glass enclosure panels should not be removed except to gain access to the components within the firebox, and the appliance may only be operated without the front glass enclosure panel in place for very brief periods of time during initial appliance checkout and adjustment.

**During this appliance checkout and adjustment period, a potential safety hazard exists - EXERCISE EXTREME CAUTION to prevent the occurrence of any burn injuries from the exposed flames or hot surfaces.** Also note, that while the front glass enclosure panel (or any of the panels) is removed, the flame appearance will appear to be smaller than normal.

**WARNING: HANDLE THE GLASS WITH EXTREME CARE! TEMPERED GLASS IS SUSCEPTIBLE TO DAMAGE (SCRATCHES, FOR EXAMPLE) - HANDLE GLASS DOOR (GLASS ENCLOSURE PANEL) GENTLY WHILE REINSTALLING IT.**

**SAFETY SWITCH LOCATION (EBCL-2 SHOWN)  
EBST-2 and EBPf-2 Safety Switch Location Also as Shown; EBCR-2 Location  
on Left End of Fireplace, EBBAY Location on The Rear of Fireplace.**



**Figure 5**

## Maintenance Schedule

**Annually** (Before the onset of the Burning Season)

Maintenance Task	Accomplishing Person	Procedure
Inspecting/Cleaning Burner, Logs and Controls	Qualified Service Technician	Inspect valve and ensure it is properly operating. Check piping for leaks. Vacuum the control compartment, fireplace logs and burner area.
Check Flame Patterns and Flame Height	Qualified Service Technician	Refer to <b>Figure 8 on page 8</b> and verify that the flame pattern and height displayed by the appliance conforms to the picture. Flames must not impinge on the log set.
Inspecting/Cleaning Pilot Burner and the Two Main Burners	Qualified Service Technician	Refer to <b>Figure 1 on page 8 (SIT) or Figure 12 on page 9 (Honeywell)</b> . Remove any surface build-up on pilot and burner assembly. Clean the pilot nozzles, ignitor/flame rod and hood with a soft brush. Ensure the pilot flame engulfs the flame sensor as shown.
Checking Vent System	Qualified Service Technician	Inspect the vent system at the top and at the base (within the firebox) for signs of blockage or obstruction. Look for any signs of dislocation of the vent components.
Appliance Checkout	Qualified Service Technician	Perform the appropriate appliance checkout procedure detailed in this manual.

**Periodically** (After the Burning Season)

Maintenance Task	Accomplishing Person	Procedure
Cleaning Firebox Interior	Homeowner	Carefully remove logs, vermiculite and black and gray ceramic fiber chunks. Vacuum out interior of the firebox. Clean firebox walls and log grate. Replace logs, vermiculite and black and gray ceramic fiber chunks as detailed on <b>page 8</b> .
Check Flame Patterns and Flame Height	Homeowner	Refer to <b>Figure 8 on page 8</b> and verify that the flame pattern and height displayed by the appliance conforms to the picture. Flames must not impinge on the log set.
Checking Vent System	Homeowner	Inspect the vent system at the top and at the base (within the firebox) for signs of blockage or obstruction. Look for any signs of dislocation of the vent components.
Cleaning Glass Enclosure Panels	Homeowner	Clean as necessary following the directions provided in this manual. <b>DO NOT TOUCH OR CLEAN GLASS WHILE IT IS HOT.</b>

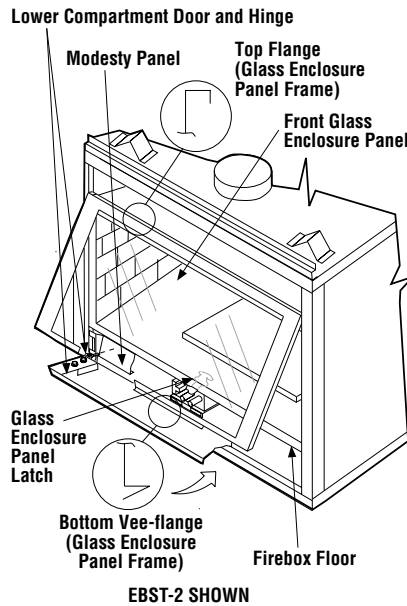
**WARNING: DO NOT ATTEMPT TO SUBSTITUTE THE MATERIALS USED ON THESE DOORS, OR REPLACE CRACKED OR BROKEN GLASS WITH ANY MATERIALS OTHER THAN THOSE PROVIDED BY THE APPLIANCE MANUFACTURER.**

**THE GLASS DOORS OF THIS APPLIANCE MUST ONLY BE REPLACED AS A COMPLETE UNIT AS PROVIDED BY THE MANUFACTURER. DO NOT ATTEMPT TO REPLACE BROKEN, CRACKED OR CHIPPED GLASS SEPARATELY.**

Refer to *Figure 6* and remove the front glass enclosure panel as follows:

1. Remove the top bustle, and the top louver assembly or radiant panel. Then remove the bottom bustle.
2. Open the control compartment access panel. To open the control compartment access panel, actuate the spring-loaded magnetic catches securing the panel, by gently depressing the outer top corners of the panel until the catches "pop" the door free, allowing it to swing out and down to open.
3. Remove the bottom control compartment access panel by compressing the spring-loaded hinge pin on the left side until it disengages from the left cabinet corner post hole. Pull the panel away from the fireplace.
4. Once the control compartment access panel has been removed, the modesty panel can be removed as follows: pull the bottom right corner of the modesty panel out slightly to disengage the snap-fit feature; lift the modesty panel by the tab on the panel's right end, pull the right end of the panel away from the cabinet and then pull the panel diagonally out of the left side cabinet panel slots. (In the above procedure, reverse the words "left" and "right" for EBCR-2 models).

Remove the modesty panel carefully, so that none of the wires become loose or disconnected. Now complete access to the gas control valve and its related controls is attainable.



**Figure 6**

5. Locate the latch at the top of the control compartment. To disengage the latch from the bottom vee-flange of the glass enclosure panel, reach for the handle located towards the back of the latch and pull the handle down towards the front of the unit.
6. Swing the bottom of the door out and raise it slightly to lift the top flange of the door frame away from the appliance.

**To install the front glass enclosure panel, proceed as follows:**

1. Visually inspect the gasket on the backside of the panel. The gasket surface must be clean, free of irregularities and seated firmly.
2. Position the glass enclosure panel in front of the firebox opening at a 45 degree angle and engage the top flange over the lip at the top of the firebox opening.
3. Swing the glass enclosure panel down and back. Ensure the gasket seats evenly as the panel draws shut. Engage the Vee-flange at the bottom of the panel with the latch and then close the latch to secure the panel.

4. Reinstall the modesty panel by inserting the tongues on the left side of it into the slots on the left side cabinet panel. Swing the right side of the modesty panel towards the unit. Engage the hook on the right side of the modesty panel with the right side cabinet panel slot. Gently press the bottom right corner of the modesty panel to engage the snap-fit feature.

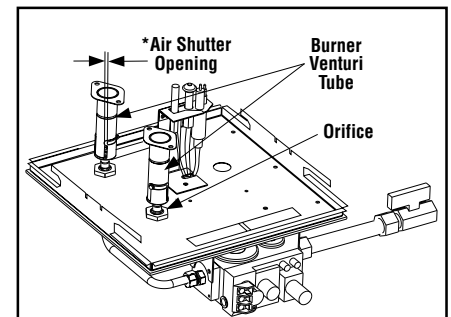
*(The left and right designations used here are reversed in EBCR-2 applications.)*

5. Reinstall the bottom control compartment access panel by inserting the right side locating pin into the right side cabinet panel and then the left side spring-loaded pin into the left side cabinet panel.

6. Reinstall the top and bottom bustle, and the top louver assembly or radiant panel.

### Burner Adjustments

**Note -** The air shutter for the burner primary air opening is factory-set. Do not adjust the factory-set position. The factory-set position is shown in *Figure 7*.



**\*Note - Do Not Adjust the Factory-Set Position. Each of the two air shutters (one for each burner) are open the amount shown in the table, below.**

MAIN BURNER FACTORY SHUTTER SETTING		
Models	Natural Gas inches (mm)	Propane Gas inches (mm)
EBST-2 EBPF-2 EBCR-2 EBCL-2 EBBAY	1/16 (1.5)	5/16 (8)

**Figure 7**

## Log Placement

**WARNING: LOG SET GETS VERY HOT AND WILL REMAIN HOT UP TO ONE HOUR AFTER GAS SUPPLY IS TURNED OFF. HANDLE ONLY WHEN LOG SET IS COOL. TURN OFF ALL GAS TO THE APPLIANCE BEFORE INSTALLING THE GRATE AND LOG SET.**

**WARNING: THIS APPLIANCE IS NOT DESIGNED TO BURN WOOD. ANY ATTEMPT TO DO SO COULD CAUSE IRREPARABLE DAMAGE TO YOUR APPLIANCE AND PROVE HAZARDOUS TO YOUR SAFETY.**

**WARNING: THE SIZE AND POSITION OF THE LOG SET WAS ENGINEERED TO GIVE YOUR APPLIANCE A SAFE, RELIABLE AND ATTRACTIVE FLAME PATTERN. ANY ATTEMPT TO USE A DIFFERENT LOG SET IN THE FIREPLACE WILL VOID THE WARRANTY AND WILL RESULT IN INCOMPLETE COMBUSTION, SOOTING, AND POOR FLAME QUALITY.**

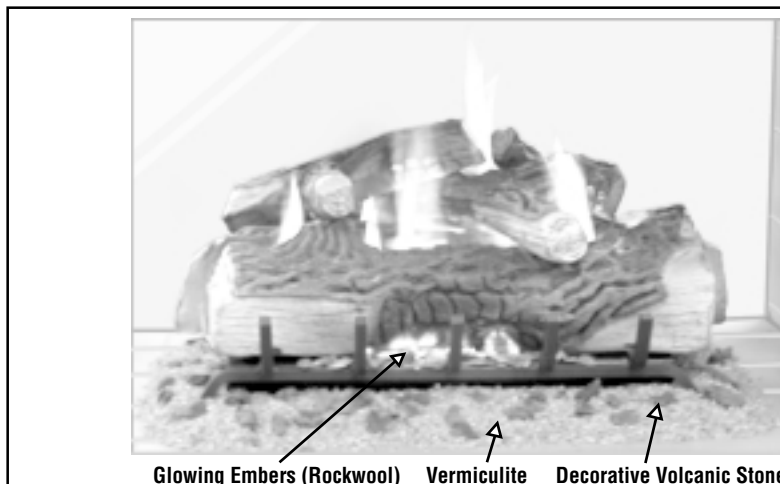
The log set, with one bag of vermiculite, is packaged in a carton located within the firebox area. One plastic bag of glowing embers and one plastic bag of decorative volcanic stone is located in the bottom compartment. Refer to the following information and **Figures 8 and 9** for detailed placement instructions for the logs, vermiculite, glowing embers (rockwool) and decorative volcanic stone. **Figure 8** also shows a typical flame pattern for this particular appliance.

### Install the unitized log set:

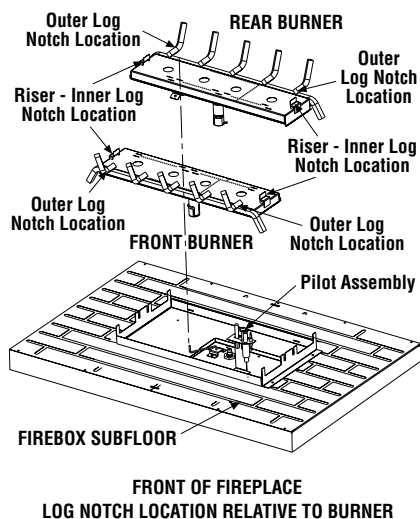
**a** - The bottom of the log set is notched to accommodate the pilot.

**b** - Place the log set so that the four inner notches on the underside of the log set fit over the four risers located on the burner ends. **See Figure 9.** This procedure is accomplished primarily by feel, as the log set masks the burner risers as it is being installed.

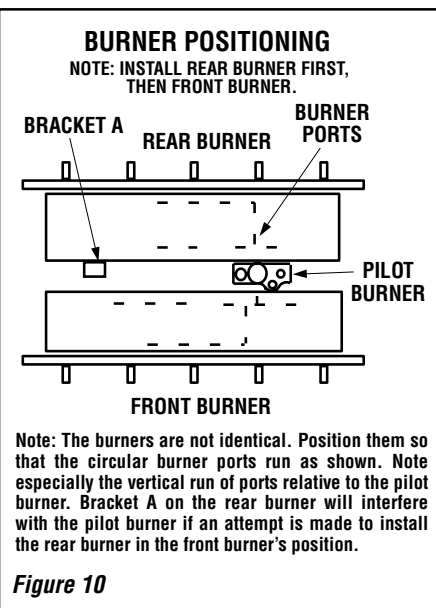
**c** - As a final check for correct log set placement, check that the four outer notches on the underside of the log set fit over the burner tines as indicated in figure 6.



**Figure 8**



**Figure 9**



**Figure 10**

**Note:** If the burners have been removed for any reason, reinstall them as shown in Figure 10.

### Install the vermiculite, decorative volcanic stone and glowing embers (rockwool):

Spread vermiculite on the simulated brick floor of the firebox around the burners to simulate ashes. Maintain a 1/2 in. gap between the bottom of the horizontal grate section and the top of the pile of vermiculite. Sprinkle the decorative volcanic stone on the vermiculite as shown in **Figure 8.**

Place a few dime-sized pieces of rockwool on the pan burner in front of the burned out area on both sides of the log set. The pieces of rockwool may touch one another, but should not overlap each other.

### Millivolt Appliance Checkout

The pilot flame should be steady, not lifting or floating. Flame should be blue in color with traces of orange at the outer edge.

The top 3/8" (10 mm) at the pilot generator (thermopile) and the top 1/8" min (tip) of the quick drop out thermocouple should be engulfed in the pilot flame. The flame should project 1" (25 mm) beyond the hood at all three ports. **See Figure 11.**

To light the burner, refer to the lighting instructions on **pages 14 and 15.**

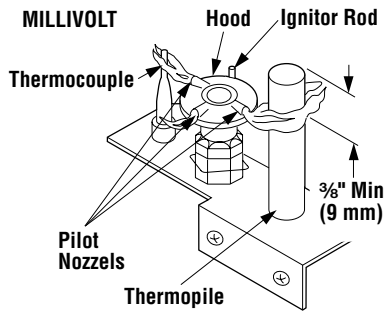


Figure 11

### Electronic Appliance Checkout

To light the burner, refer to the lighting instructions on **page 15 and 16**. Ensure the ignitor lights the pilot. The pilot flame should engulf the flame sensor as shown in **Figure 12**.

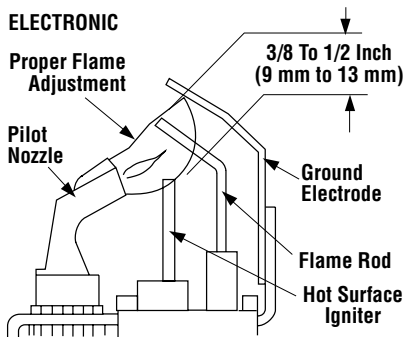


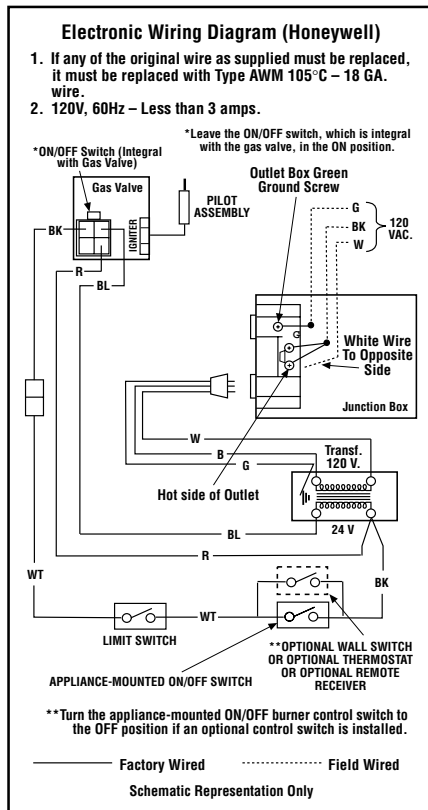
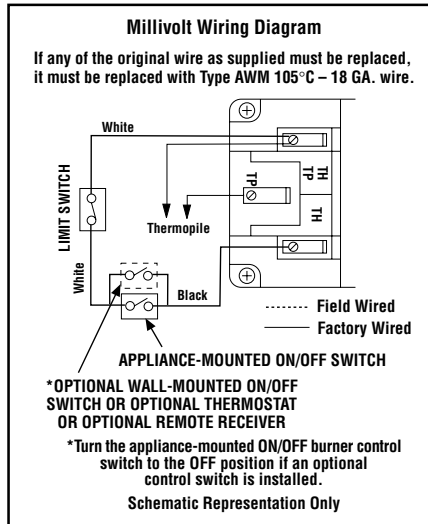
Figure 12

With proper care and maintenance, your appliance will provide many years of enjoyment. If you should experience any problem, first refer to the trouble shooting guide in this manual. If problem persists, contact your Lennox distributor.

### WIRING DIAGRAMS

Wiring diagrams are provided here for reference purposes only. This information is also provided on schematics attached directly to the appliance on a pullout panel located within the control compartment.

**CAUTION: LABEL ALL WIRES PRIOR TO DISCONNECTION WHEN SERVICING CONTROLS. WIRING ERRORS CAN CAUSE IMPROPER AND DANGEROUS APPLIANCE OPERATION.**



### WARRANTY

Your gas appliance is covered by a limited twenty year warranty. You will find a copy of the warranty accompanying this manual. Please read the warranty to be familiar with its coverage.

Retain this manual. File it with your other documents for future reference.

### REPLACEMENT PARTS

A complete parts list is found at the end of this manual. Use only parts supplied from the manufacturer.

Normally, all parts should be ordered through your Lennox distributor or dealer. Parts will be shipped at prevailing prices at time of order.

When ordering repair parts, always give the following information:

1. The model number of the appliance.
2. The serial number of the appliance.
3. The part number.
4. The description of the part.
5. The quantity required.
6. The installation date of the appliance.

If you encounter any problems or have any questions concerning the installation or application of this system, please contact your distributor, or Lennox directly:

### LENNOX HEARTH PRODUCTS

1110 West Taft Avenue  
Orange, CA 92865

### PRODUCT REFERENCE INFORMATION

We recommend that you record the following important information about your fireplace. Please contact your Lennox dealer for any questions or concerns. For the number of your nearest Lennox dealer, please call 800-731-8101

Your Fireplace's Model Number \_\_\_\_\_

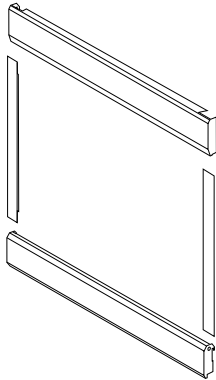
Your Fireplace's Serial Number \_\_\_\_\_

The Date On Which Your Fireplace Was Installed \_\_\_\_\_

The Type of Gas Your Fireplace Uses \_\_\_\_\_

Your Dealer's Name \_\_\_\_\_

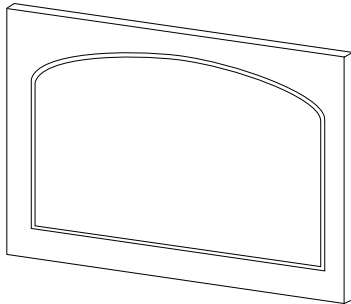
## ACCESSORY COMPONENTS



### Door Frame Kits

A decorative door frame kit is available for use with these appliances. The DTK is designed to attach directly to the front face of the appliance at its extreme edges. The DTK provides a picture frame finish for the appliance. The door frame kit can be retrofitted onto previously installed appliances.

Door Frame Kits				
CATALOG NO. / MODEL NO. AND NUMBER OF SETS				
Unit Model No.	Polished Brass Finish		Brushed Stainless Finish	
	for 24 in. wide Glass Door	for 40 in. wide Glass Door	for 24 in. wide Glass Door	for 40 in. wide Glass Door
	88L43 DTK24PB-2	88L45 DTK40PB-2	90L69 DTK24BS	90L71 DTK40BS
EBST-2	-	2	-	2
EBPF-2	1	2	1	2
EBCR-2 EBCL-2	1	1	1	1
EBBAY	2	1	2	1



### Arch Door Kits

Two types of arch door kits are available for the Multi-Open Series. Both types of kits are easy to install and do not require hardware to attach them to the standard door frame. These kits can be retrofitted to previously installed Multi-Open Series appliances. The decorative arch kits can not be used in conjunction with the screen panel kit.

Arch Door Kits - CATALOG NO. / MODEL NO. AND QUANTITY				
Unit Model No.	Polished Brass Finish		Brushed Stainless Finish	
	for 24 in. wide Glass Door	for 40 in. wide Glass Door	for 24 in. wide Glass Door	for 40 in. wide Glass Door
	81L37 ADK24CPB	81L35 ADK40CPB	98L71 ADK24CBS	98L69 ADK40CBS
EBST-2	-	2	-	2
EBPF-2	1	2	1	2
EBCR-2 EBCL-2	1	1	1	1
EBBAY	2	1	2	1



Remote Control System (Standard) H0249 RCL

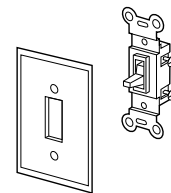
### Standard Remote Control System (Model RCL)

The Model RCL (Standard) Remote Control System, features a simplistic on/off control function for the fireplace. This model includes a hand-held transmitter, a remote receiver with wall-mount coverplate and all hardware required to install the unit. The remote receiver can be wall or hearth mounted.

The transmitter has ON and OFF functions that are activated by pressing either button on the face of the transmitter. When a button on the transmitter is pressed, a signal light illuminates briefly to verify that a signal has been sent.

The Model RCL is designed to operate with all millivolt ignition systems, as well as electronic ignition systems. It may be installed with use for either natural or propane gas appliances. The RCL offers ease of installation and allows you to execute on-off commands to the fireplace effortlessly with one simple motion.

The Model RCL comes complete with detailed operating instructions.



ON/OFF Wall Switch Kit 85L87 FWSK

### ON/OFF Wall Switch Kit

The ON/OFF wall switch kit may be used to control the operation of the fireplace burner as an alternative to the modesty panel mounted ON-OFF switch. Install the ON/OFF wall switch in a convenient location near the fireplace.

## ACCESSORY COMPONENTS CONTINUED

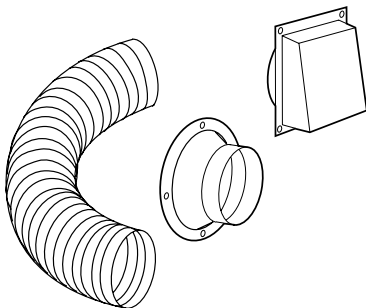


Remote Control System (Deluxe) H0251 RCL-T

### Deluxe Remote Control System (Model RCL-T)

The Model RCL-T (Deluxe) Remote Control System has all of the features of the standard system along with an added easy to read LCD screen which presents access to many enhancements, including; battery power level indicator, timer, mode of operation, thermostatic display including room temperature in either metric or English units, flame indicator and clock. Fully programmable, the Model RCL-T allows for virtual command over nearly all operational and temperature variables, using the hand held remote control transmitter.

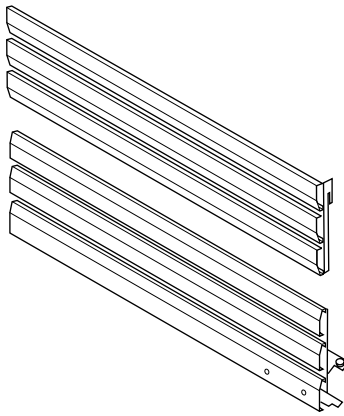
The Model RCL-T (Deluxe) remote control system is installed in the same manner as the standard system, may be operated with electronic and millivolt systems with either natural or propane gas. The RCL-T comes complete with detailed operating instructions.



Outside Combustion Air Kits  
(with duct) 81L87 FOAK-4  
(without duct) 81L88 FOAK-4LD

### Outside Air Kits Models FOAK-4 and FOAK-4LD

Outside Air kits are available with duct (FOAK-4) and without duct (FOAK-4LD) for use if outside combustion air is required or desired. If model FOAK-4LD is used it must be used in conjunction with locally purchased, non-combustible Class 1 or Class 0 flexible duct.



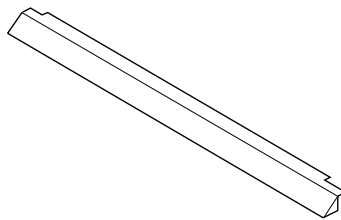
**Charcoal Finish Louver Assembly Kits (3-piece Top and 3-piece Bottom Assembly)**  
CATALOG NO. / MODEL NO.  
AND NUMBER OF SETS

Unit Model No.	Charcoal Finish	
	for 24 in. wide Glass Door	for 40 in. wide Glass Door
	88L23 LVR24C-2	88L25 LVR40C-2
EBST-2	-	2
EBPF-2	1	2
EBCR-2 EBCL-2	1	1
EBBAY	2	1

### Charcoal Finish Louvers Kits

Decorative louvers are available for use with all Multi-Open Series appliances. These louvers are designed to replace the standard radiant panels that are provided with the appliance. These kits include a charcoal finish top 3-piece assembly and a bottom 3-piece assembly. These kits can be retrofitted to previously installed appliances.

### Polished Brass and Brushed Stainless Hood Kits



Attractive hoods are available in two styles to be used on the Multi-Open Series appliances. These hoods are designed to be fitted to the glass viewing sides of the appliance. In addition to providing an aesthetically pleasing appearance to your appliance installation, the hood reduces heat effects to decorative mantles and finish materials located above the fireplace opening. The hood kit replaces the standard hood that comes with these appliances and snaps into place. These kits can be retrofitted to previously installed appliances.

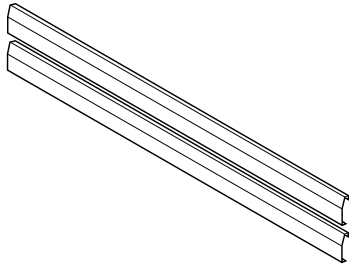
### Hood Kits

CATALOG NO. / MODEL NO. AND NUMBER OF SETS

Unit Model No.	Polished Brass Finish		Brushed Stainless Finish	
	for 24 in. wide Glass Door	for 40 in. wide Glass Door	for 24 in. wide Glass Door	for 40 in. wide Glass Door
	98K28 EB24PB	96K68 EB40PB	88L47 EB24BS	88L50 EB40BS
EBST-2	-	2	-	2
EBPF-2	1	2	1	2
EBCR-2 EBCL-2	1	1	1	1
EBBAY	2	1	2	1

NOTE: DIAGRAMS & ILLUSTRATIONS NOT TO SCALE.

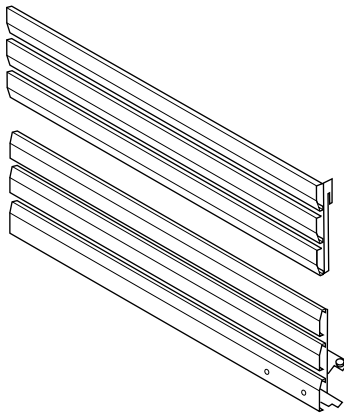
**ACCESSORY COMPONENTS CONTINUED**



**2-Piece Polished Brass and Brushed Stainless Louvers Kits**

Decorative louvers are available for use with all Multi-Open Series appliances. These louvers are designed to replace either the middle charcoal louver of each set or the charcoal louver in each set closest to the glass door. These kits include two narrow louvers. They provide a touch of elegance to any Multi-Open Series appliance. These kits can be retrofitted to previously installed appliances.

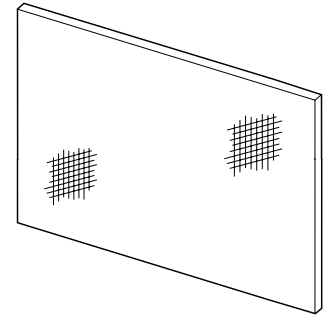
<b>Louver Kits (2-piece)</b>				
CATALOG NO. / MODEL NO. AND NUMBER OF SETS				
Unit Model No.	Polished Brass Finish		Brushed Stainless Finish	
	for 24 in. wide Glass Door	for 40 in. wide Glass Door	for 24 in. wide Glass Door	for 40 in. wide Glass Door
	96L04 2LVR24PB	96L06 2LVR40PB	96L08 LVR24BS	96L10 LVR40BS
EBST-2	-	2	-	2
EBPF-2	1	2	1	2
EBCR-2 EBCL-2	1	1	1	1
EBBAY	2	1	2	1



**Polished Brass and Brushed Stainless Louvers Kits**

Decorative louvers are available for use with all Multi-Open Series appliances. These louvers are designed to replace the standard radiant panels that are provided with the appliance. These kits include a top 3-piece assembly and a bottom 3-piece assembly. They provide a touch of elegance to any Multi-Open Series appliance. These kits can be retrofitted to previously installed appliances.

<b>Louver Assembly Kits (3-piece Top and 3-piece Bottom Assembly)</b>				
CATALOG NO. / MODEL NO. AND NUMBER OF SETS				
Unit Model No.	Polished Brass Finish		Brushed Stainless Finish	
	for 24 in. wide Glass Door	for 40 in. wide Glass Door	for 24 in. wide Glass Door	for 40 in. wide Glass Door
	88L27 LVR24PB-2	88L29 LVR40PB-2	88L31 LVR24BS	88L33 LVR40BS
EBST-2	-	2	-	2
EBPF-2	1	2	1	2
EBCR-2 EBCL-2	1	1	1	1
EBBAY	2	1	2	1



**Screen Panel Kit**  
 24 inch Wide Glass Door      98K74      HG24  
 40 inch Wide Glass Door      96K32      HG40

**Screen Panel Kit**

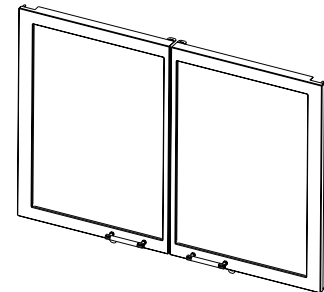
An optional screen panel can be installed on the Multi-Open Series doors. These screen panels are easy to install. These kits can be retrofitted to previously installed appliances. The screen panel kits can not be used in conjunction with either of the arch door kits or door frame kits.



**Touch-Up Paint (Charcoal) Kit**      90L74      TPK-C

**Touch-Up Paint Kit**

Repair of minor scratches and discoloration of the appliance charcoal painted cabinet surfaces may be accomplished with the touch-up paint kit.



**Twin-Pane Door Trim Kits**  
 Polished Brass - 40 inch      20M83      TPK-40PB  
 Brushed Stainless - 40 inch      20M86      TPK-40BS

**Polished Brass and Brushed Stainless Twin-Pane Door Trim Kits**

Two types of twin-pane door trim kits are available for the Multi-Open Series (polished brass or brushed stainless). Both types of kits are easy to install and do not require hardware to attach them to the standard glass door frame. Only the 40 inch glass door frame can be fitted with these kits. The decorative twin-pane door trim kits can not be used in conjunction with the screen panel kit.

NOTE: DIAGRAMS & ILLUSTRATIONS NOT TO SCALE.



## LIGHTING INSTRUCTIONS – MILLIVOLT GAS VALVE

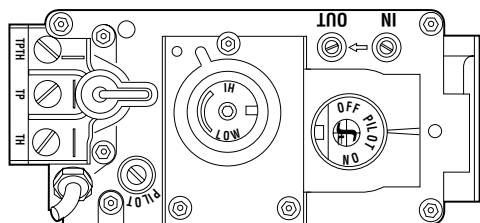
### FOR YOUR SAFETY READ BEFORE LIGHTING

**WARNING: IF YOU DO NOT FOLLOW THESE INSTRUCTIONS EXACTLY, A FIRE OR EXPLOSION MAY RESULT CAUSING PROPERTY DAMAGE, PERSONAL INJURY OR LOSS OF LIFE.**

- A.** This appliance has a pilot which must be lighted with a piezo ignitor. When lighting the pilot, follow these instructions exactly.
- B. BEFORE OPERATING** smell all around the appliance area for gas. Be sure to smell next to the floor because some gas is heavier than air and will settle on the floor.
- WHAT TO DO IF YOU SMELL GAS**
- Extinguish any open flame.
  - Open windows.
  - Do not light any appliance.
  - Do not touch any electrical switches.
  - Do not use any phone in your building.
  - Immediately call your gas supplier from a neighbor's phone.
  - If your gas supplier cannot be reached, call the fire department.
- C.** Use only your hand to push in or turn the gas control knob. Never use tools. If the knob will not push in or turn by hand, do not try to repair it, call a qualified service technician. Force or attempted repair may result in a fire or an explosion.
- D.** Do not use this appliance if any part has been under water. Immediately call a qualified service technician to inspect the appliance and to replace any part of the control system and any gas control which has been under water.

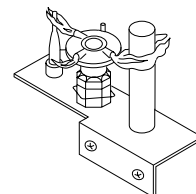
### LIGHTING INSTRUCTIONS


1. **STOP!** Read the safety information above on this page.
2. Access the lower control compartment.
3. Turn remote wall switch to "OFF."
4. Verify main line shut-off valve is open.
5. Push in gas control knob slightly and turn clockwise to "OFF." 
6. Wait five (5) minutes to clear out any gas. If you then smell gas, STOP! Follow "B" in the safety information above on this page. If you do not smell gas, go to the next step.
7. Push in gas control knob slightly and turn counterclockwise to "PILOT." 
8. Push in control knob all the way and hold in. Immediately light the pilot by triggering the spark ignitor (pushing the button) until pilot lights. Continue to hold the control knob in for about 1 1/2 minutes after the pilot is lit. Release knob and it will pop back up. Pilot should remain lit. If it goes out, repeat steps 5 through 8.




**Note:** Knob cannot be turned from "PILOT" to "OFF" unless the knob is pushed in slightly. Do not force.

- If knob does not pop up when released, stop and immediately call your service technician or gas supplier.
- If pilot will not stay lit after several tries, turn the control knob to "OFF" and call your service technician or gas supplier.



9. Turn gas control knob counterclockwise to "ON." 
10. Close lower control compartment.

### TO TURN OFF GAS TO APPLIANCE

1. Turn remote wall switch "OFF." The pilot will remain lit for normal service.
2. For complete shutdown, turn remote wall switch to "OFF."
3. Access the lower control compartment.
4. Depress gas control knob slightly and turn clockwise to "OFF." Do not force. 
5. Close lower control compartment.

## INSTRUCTIONS D'ALLUMAGE – VANNE GAZ MILLIVOLT

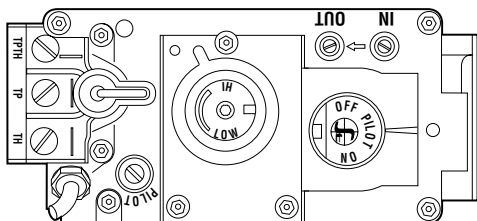
### POUR VOTRE SÉCURITÉ, LISEZ CES INSTRUCTIONS AVANT L'ALLUMAGE

**AVERTISSEMENT : SI VOUS NE SUIVEZ PAS CES INSTRUCTIONS À LA LETTRE, IL POURRAIT S'EN SUIVRE UN INCENDIE OU UNE EXPLOSION CAUSANT DES DOMMAGES MATÉRIELS, DES BLESSURES CORPORELLES OU MÊME DES PERTES DE VIE.**

- A.** Cet appareil est muni d'une veilleuse qui doit être allumée avec un allumeur piézo-électrique. Lorsque vous allumez la veilleuse, suivre exactement ces instructions.
- B. AVANT L'ALLUMAGE:** Assurez-vous que vous ne détectez aucune odeur de gaz autour de l'appareil ainsi que près du sol; certains gaz, étant plus lourds que l'air, descendent au niveau du sol.  
**VOICI CE QUE VOUS DEVEZ FAIRE SI VOUS DÉCELEZ UNE ODEUR DE GAZ:**
- Éteignez toute flamme visible.
  - Ouvrez les fenêtres.
  - N'allumez aucun appareil.
  - Ne touchez à aucun commutateur électrique.
  - Ne vous servez d'aucun téléphone dans votre édifice.
- Appelez immédiatement votre compagnie de gaz en utilisant le téléphone du voisin.
  - S'il vous est impossible de contacter votre compagnie de gaz, appelez le service des incendies.
- C.** N'utilisez que votre main pour manipuler le bouton de réglage du gaz. N'utilisez jamais d'outils. Si le bouton refuse de tourner ou de bouger, n'essayez pas de le réparer. Communiquez immédiatement avec un technicien de service qualifié. Toute tentative pour le forcer ou le réparer, risquerait de provoquer un incendie ou une explosion.
- D.** Ne vous servez pas de cet appareil si l'un de ses éléments a été immergé dans l'eau. Appelez immédiatement un technicien compétent pour faire inspecter l'appareil et remplacer toute pièce du système de réglage ou commande du gaz qui a été sous l'eau.

### INSTRUCTIONS D'ALLUMAGE

- 1. ARRÊTEZ!** Lisez les consignes de sécurité au verso de cette plaque.
2. Ouvrez le compartiment de contrôle du bas.
3. Tournez l'interrupteur mural à la position d'arrêt "OFF".
4. Assurez-vous que la soupape d'arrêt de la canalisation principale est ouverte.
5. Enfoncez légèrement le bouton de réglage du gaz et tournez-le dans le sens des aiguilles d'une montre jusqu'à la position d'arrêt "OFF".



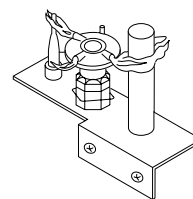
**Remarque:** Il est impossible de tourner le bouton de "PILOT" à "OFF" à moins qu'il ne soit légèrement enfoncé. Ne le forcez pas.

6. Attendez cinq (5) minutes pour l'évacuation du gaz. Si vous décelez une odeur de gaz, ARRÊTEZ ! Retournez au point "B" des consignes de sécurité au verso de cette plaque. Si vous ne remarquez aucune odeur de gaz, passez à l'étape suivante.
7. Enfoncez légèrement le bouton de réglage du gaz et tournez-le en sens inverse des aiguilles d'une montre jusqu'à la position de veilleuse "PILOT".

8. Enfoncez le bouton de réglage jusqu'au fond et gardez-le enfoncé. Allumez immédiatement la veilleuse en déclenchant l'allume-gaz à étincelle (en poussant le bouton) jusqu'à ce que la veilleuse s'enflamme. Continuez de tenir le bouton de réglage enfoncé pendant environ 90 secondes après l'allumage de la veilleuse. Relâchez le bouton et il sortira subitement. La veilleuse devrait rester allumée. Si elle s'éteint, répétez les étapes 5 à 8 inclusivement.

- Si le bouton ne sort pas automatiquement après avoir été relâché, arrêtez immédiatement et téléphonez à votre technicien de service ou à votre fournisseur de gaz.

- Si la veilleuse refuse de rester allumée après plusieurs tentatives, tournez le bouton de réglage jusqu'à sa position d'arrêt "OFF" et téléphonez à votre technicien de service ou à votre fournisseur de gaz.



9. Tournez le bouton de réglage du gaz en sens inverse des aiguilles d'une montre jusqu'à sa position de marche "ON".
10. Fermez le compartiment de contrôle du bas.
11. Au besoin, rebrancher l'appareil au courant électrique et remettre l'interrupteur du brûleur principal à la position "ON" ou régler le thermostat à la température désirée.
12. Si l'appareil ne fonctionne pas, suivre les instructions intitulées "Pour fermer le gaz qui alimente l'appareil" et appeler un technicien ou le fournisseur de gaz.

### POUR FERMER LE GAZ QUI ALIMENTE L'APPAREIL

1. Tournez l'interrupteur mural à la position d'arrêt "OFF". La veilleuse restera allumée jusqu'au retour du service normal.
2. Pour une fermeture complète, tournez l'interrupteur mural à la position d'arrêt "OFF".
3. Ouvrez le compartiment de contrôle du bas.
4. Enfoncez légèrement le bouton de réglage du gaz et tournez-le dans le sens des aiguilles d'une montre jusqu'à la position d'arrêt "OFF". Ne forcez pas le bouton.
5. Fermez le compartiment de contrôle du bas.

## LIGHTING INSTRUCTIONS — ELECTRONIC

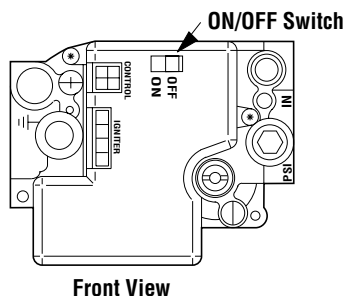
### FOR YOUR SAFETY READ BEFORE LIGHTING

**WARNING: IF YOU DO NOT FOLLOW THESE INSTRUCTIONS EXACTLY, A FIRE OR EXPLOSION MAY RESULT CAUSING PROPERTY DAMAGE, PERSONAL INJURY OR LOSS OF LIFE.**

- A.** When lighting the appliance, follow these instructions exactly.
- B. BEFORE OPERATING** smell all around the appliance area for gas. Be sure to smell next to the floor because some gas is heavier than air and will settle on the floor.
- WHAT TO DO IF YOU SMELL GAS**
- Extinguish any open flame.
  - Open windows.
  - Do not light any appliance.
  - Do not touch any electrical switches.
  - Do not use any phone in your building.
  - Immediately call your gas supplier from a neighbor's phone.
  - If your gas supplier cannot be reached, call the fire department.
- C.** Use only your hand to turn the gas control lever. Never use tools. If the lever will not turn by hand, do not try to repair it, call a qualified service technician. Force or attempted repair may result in a fire or an explosion.
- D.** Do not use this appliance if any part has been under water. Immediately call a qualified service technician to inspect the appliance and to replace any part of the control system and any gas control which has been under water.

### LIGHTING INSTRUCTIONS

- 1. STOP!** Read the safety information above on this page.
- Turn remote wall switch to "OFF."
- Open lower control compartment door.
- Verify main line shut-off valve is open.
- Turn the ON/OFF switch to "OFF". Do not force.
- Wait five (5) minutes to clear out any gas. If you then smell gas, STOP! Follow "B" in the safety information above on this page. If you do not smell gas, go to the next step.
- Turn the ON/OFF switch to "ON". Do not force.
- Turn "ON" all electrical power to appliance (remote wall or appliance switch).
- Close lower control compartment door.



### TO SHUT OFF

- Turn off all electrical power to the appliance (remote wall switch).

### TO TURN OFF GAS TO APPLIANCE

- For complete shut-down, turn remote wall switch to "OFF."
- Open lower control compartment door.
- Turn the ON/OFF switch to "OFF". Do not force.
- Close the main line shut-off valve.
- Close lower control compartment door.

## INSTRUCTIONS D'ALLUMAGE — ELECTRONIC

### POUR VOTRE SÉCURITÉ, LISEZ CES INSTRUCTIONS AVANT L'ALLUMAGE

**AVERTISSEMENT: SI VOUS NE SUIVEZ PAS CES INSTRUCTIONS À LA LETTRE, IL POURRAIT S'EN SUIVRE UN INCENDIE OU UNE EXPLOSION CAUSANT DES DOMMAGES MATÉRIELS, DES BLESSURES CORPORELLES OU MÊME DES PERTES DE VIE.**

**A.** Lorsque vous allumez l'appareil, suivez exactement ces instructions.

**B. AVANT L'ALLUMAGE:** Assurez-vous que vous ne détectez aucune odeur de gaz autour de l'appareil ainsi que près du sol; certains gaz, étant plus lourds que l'air, descendent au niveau du sol.

#### VOICI CE QUE VOUS DEVEZ FAIRE SI VOUS DÉCELEZ UNE ODEUR DE GAZ

- Éteignez toute flamme visible.
- Ouvrez les fenêtres.
- N'allumez aucun appareil.
- Ne touchez à aucun commutateur électrique.
- Ne vous servez d'aucun téléphone dans votre édifice.

- Appelez immédiatement votre compagnie de gaz en utilisant le téléphone du voisin.
- S'il vous est impossible de contacter votre compagnie de gaz, appelez le service des incendies.

**C.** N'utilisez que votre main pour manipuler l'interrupteur "ON/OFF" de la valve à gaz. N'utilisez jamais d'outils. Si l'interrupteur ne bouge pas manuellement, n'essayez pas de le réparer. Communiquez immédiatement avec un technicien de service qualifié. Toute tentative pour forcer l'interrupteur ou le réparer, risquerait de provoquer un incendie ou une explosion.

**D.** Ne vous servez pas de cet appareil si l'un de ses éléments a été immergé dans l'eau. Appelez immédiatement un technicien compétent pour faire inspecter l'appareil et remplacer toute pièce du système de réglage ou commande du gaz qui a été sous l'eau.

## INSTRUCTIONS D'ALLUMAGE

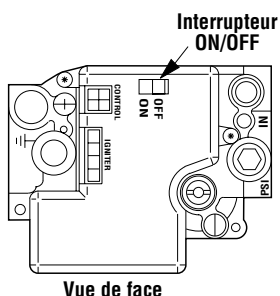
**1. ARRÊTEZ !** Lisez les consignes de sécurité au verso de cette plaque.

**2.** Tournez l'interrupteur mural à la position d'arrêt "OFF".

**3.** Ouvrez la porte du compartiment de contrôle du bas.

**4.** Assurez-vous que la soupape d'arrêt de la canalisation principale est ouverte.

**5.** Tournez la manette de réglage du gaz à la position d'arrêt "OFF".



Vue de face

**6.** Attendez cinq (5) minutes pour l'évacuation du gaz. Si vous décelez une odeur de gaz ARRÊTEZ ! Retournez au point "B" des consignes de sécurité au verso de cette plaque. Si vous ne remarquez aucune odeur de gaz, passez à l'étape suivante.

**7.** Tournez la manette de réglage du gaz jusqu'à la position de marche "ON". Ne la forcez pas.

**8.** Ouvrez le courant électrique ("ON") qui alimente l'appareil (interrupteur mural ou l'appareil).

**9.** Fermez la porte du compartiment de contrôle du bas.

**10.** Au besoin, rebrancher l'appareil au courant électrique et remettre l'interrupteur principal du brûleur à la position "ON" ou régler le thermostat à la température désirée.

**11.** Si l'appareil ne se met pas en marche, suivre les instructions intitulées "Pour fermer le gaz qui alimente l'appareil" et appeler un technicien ou le fournisseur de gaz.

#### POUR ÉTEINDRE L'APPAREIL

**1.** Coupez tout le courant électrique qui alimente l'appareil (interrupteur mural).

## POUR FERMER LE GAZ QUI ALIMENTE L'APPAREIL

**1.** Pour une fermeture complète, tournez l'interrupteur mural à la position d'arrêt "OFF".

**2.** Ouvrez la porte du compartiment de contrôle du bas.

**3.** Tournez la manette de réglage du gaz à la position d'arrêt "OFF". Ne la forcez pas.

**4.** Fermez la soupape d'arrêt de la canalisation principale.

**5.** Fermez la porte du compartiment de contrôle du bas.

# TROUBLESHOOTING THE MILLIVOLT GAS CONTROL SYSTEM

**Note:** Before troubleshooting, make sure that the appliance main line gas shut-off valve and the gas control valve are in the "OPEN" position and the burner ON/OFF switch is in the "ON" position.

**Important:** Valve system troubleshooting should only be accomplished by a qualified service technician.

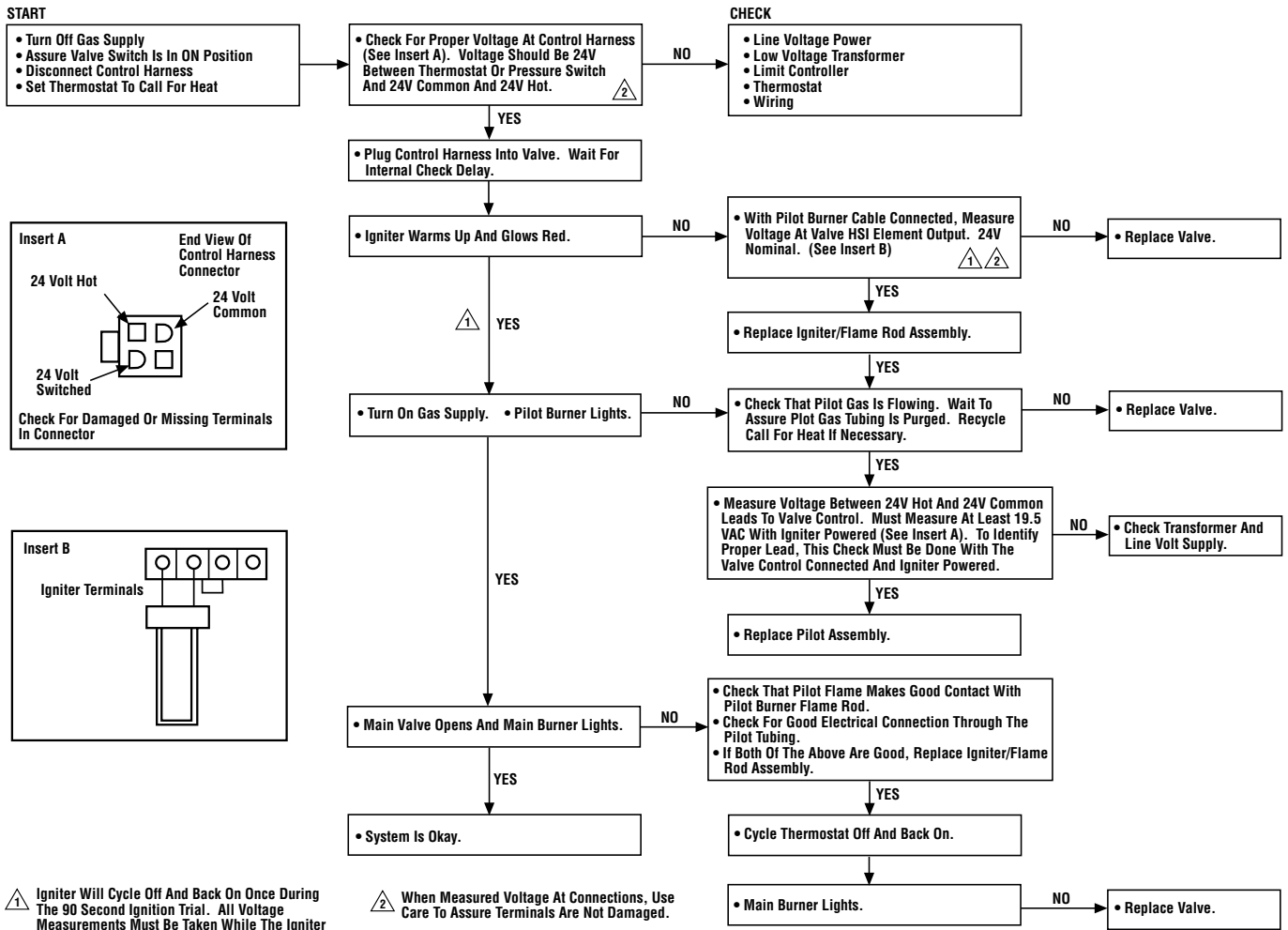
SYMPTOM	POSSIBLE CAUSES	CORRECTIVE ACTION
1. Spark ignitor will not light pilot after repeated triggering of ignitor button.	A. Defective ignitor (no spark at electrode).	Check for spark at electrode and pilot; if no spark and electrode wire is properly connected, replace ignitor.
	B. Defective or misaligned electrode at pilot (spark at electrode).	Using a match, light pilot. If pilot lights, turn off pilot and trigger the ignitor button again. If pilot lights, an improper gas mixture caused the bad lighting and a longer purge period is recommended. If pilot will not light – check gap at electrode and pilot – should be 1/8" to have a strong spark. If gap measures 1/8", replace pilot ( <b>Figure 11 on page 8</b> ).
	C. Gas supply pressure errant.	Check inlet gas pressure. It should be within the limits as marked on the rating plate.
	D. Pilot orifice plugged.	Clean or replace pilot orifice.
2. Pilot will not stay lit after carefully following the lighting instructions.	A. Defective pilot generator (thermocouple).	Check pilot flame, it must impinge on thermocouple ( <b>Figure 11 on page 8</b> ) Clean and/or adjust pilot for maximum flame impingement on thermocouple. Ensure that the connection between the valve and thermocouple are tight and secure.
3. Pilot burning, no gas to burner, Valve knob "ON," Wall Switch "ON."	A. Limit Switch defective.	Isolate the "limit" switch. Disconnect the wires from the "ON/OFF" switch and the valve (label wires for reattachment). Test for continuity with a multimeter. If continuity is not indicated, switch is defective and must be replaced.
	B. Wall switch or wires defective.	Check wall switch and wires for proper connections. Jumper wire across terminals at wall switch, if burner comes on, replace defective wall switch. If okay, jumper wires across wall switch wires at valve, if burner comes on, wires are faulty or connections are bad.
	C. Thermopile may not be generating sufficient millivoltage.	Check thermopile with millivolt meter. Take reading at thermopile terminals of gas valve. Should read 325 millivolts minimum with optional wall switch "OFF." Replace faulty thermopile if reading is below specified minimum.
	D. Plugged burner orifice.	Check burner orifice for stoppage and remove.
4. Frequent pilot/burner outage problem.	A. Pilot flame may be too low or blowing (high) causing the pilot/valve safety to drop out.	Clean and/or adjust pilot flame for maximum flame impingement on thermocouple ( <b>Figure 11 on page 8</b> ).

# TROUBLESHOOTING THE ELECTRONIC IGNITION SYSTEM

**Note:** Before troubleshooting, make sure that the appliance main line gas shut-off valve and the gas control valve are in the "OPEN" position and the burner ON/OFF switch is in the "ON" position.

**Important:** Valve system troubleshooting should only be accomplished by a qualified service technician.

SYMPTOM	POSSIBLE CAUSES	CORRECTIVE ACTION
1. Burner will not light.	A. Faulty Valve System.	See Below.
	B. "OFF/ON" or wall switch defective.	Disconnect the two black wires from the wire nuts. Test switch(s) for continuity with a multimeter. If continuity is not indicated, switch(s) is defective and must be replaced.  <i>Note:</i> Before replacing "OFF/ON" switch, be sure to check wiring for loose connections or broken wires and repair as needed.
2. Burners come "ON" but go "OFF."	A. Burner orifice plugged.	Check main burner orifice(s) for stoppage. Clean or replace.
	B. Obstructed vent system.	Check vent system for obstructions.



## REPLACEMENT PARTS

### GAS CONTROLS — SIT MILLIVOLT

No.	DESCRIPTION	Natural		Propane	
		Part No.	Qty.	Part No.	Qty.
30.	Gas Valve - SIT	43K0701	1	88J5301	1
31.	Piezo Igniter	10K8601	1	10K8601	1
32.	Pilot Assembly	69L1701	1	69L1801	1
33.	Pilot Generator	60J7901	1	60J7901	1
34.	Thermocouple	74L5701	1	74L5701	1
35.	Pilot Tube	74L5601	1	74L5601	1
36.	Electrode And Cable	74L5801	1	74L5801	1
37.	Sticker (Modesty Panel)	24M6501	1	24M6501	1

### GAS CONTROLS — HONEYWELL ELECTRONIC

No.	DESCRIPTION	Natural		Propane	
		Part No.	Qty.	Part No.	Qty.
40.	Gas Valve - Honeywell	62L1801	1	62L1901	1
41.	Pilot Assembly	62L1401	1	62L1501	1
42.	Transformer	42J3201	1	42J3201	1
43.	Ignitor Assembly (Kit)	87L54	1	87L54	1
44.	Sticker (Modesty Panel)	69L5001	1	69L5001	1
45.	Pilot Tube	LB-97487A	1	LB-97487A	1

### GAS ORIFICES — SIT AND HONEYWELL SYSTEMS

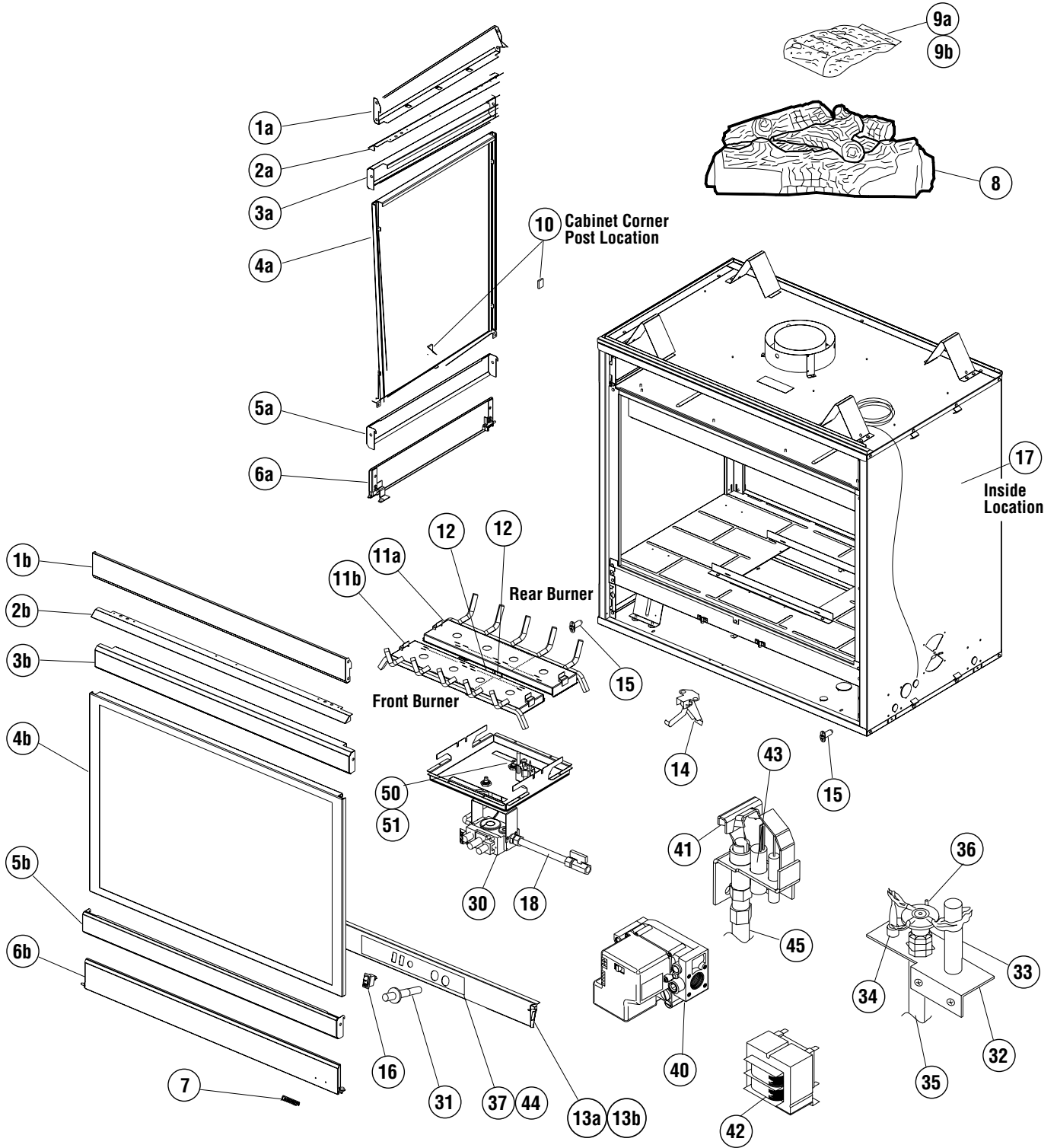
No.	DESCRIPTION	Natural		Propane	
		Part No.	Qty.	Part No.	Qty.
50.	Gas Orifice - Main EBST-2/EBPF-2/EBBAY	60J8001	2	19L5201	2
51.	Gas Orifice - Main EBCR-2/EBCL-2	99K7401	2	67L5801	2

## REPLACEMENT PARTS LIST

No.	DESCRIPTION	Natural and Propane						
		Part No.	Qty.	Qty.	Qty.	Qty.	Qty.	
			EBST-2	EBPF-2	EBCL-2	EBCR-2	EBBAY	
1a	Upper Radiant, charcoal - 24 in.	LB-91885EY	none	1	1	1	2	
1b	Upper Radiant, charcoal - 40 in.	LB-91885CY	2	2	1	1	1	
2a	Hood, Charcoal - 24 in.	LB-91941EY	none	1	1	1	2	
2b	Hood, Charcoal - 40 in.	LB-91941CY	2	2	1	1	1	
3a	Upper Bustle, charcoal - 24 in.	LB-96790E	none	1	1	1	2	
3b	Upper Bustle, charcoal - 40 in.	LB-96790C	2	2	1	1	1	
4a	Glass Enclosure Assembly - 24 in.	LB-97541A	none	1	1	1	2	
4b	Glass Enclosure Assembly - 40 in.	LB-97542A	2	2	1	1	1	
5a	Lower Bustle, charcoal - 24 in.	LB-92496E	none	1	1	1	2	
5b	Lower Bustle, charcoal - 40 in.	LB-92496C	2	2	1	1	1	
6a	Lower Radiant Assembly, charcoal - 24 in.	LB-92649E	none	1	1	1	2	
6b	Lower Radiant Assembly, charcoal - 40 in.	LB-92649C	2	2	1	1	1	
7	Nameplate (Brand)	12L1501	2	2	1	1	1	
8	Log Set	74L6201	1	1	1	1	1	
9a	Bag of Vermiculite	24M4801	2	2	2	2	2	
9b	Bag of Embers - (Rockwool)	88L53	1	1	1	1	1	
9c	Bag of Decorative Volcanic Stone	80L42	1	1	1	1	1	
10	Magnet, Radiant Panel	43K0101	2	4	3	3	5	
11a	Main Burner Set	Rear	LB-97437A	1	1	1	1	1
11b		Front	LB-97437B	1	1	1	1	1
12	Gasket, Venturi Tube Mounting (per burner)	43K8501	1	1	1	1	1	
13a	Modesty Panel	ST, PF, CL	LB-97069A	1	1	1	none	1
13b		CR	LB-97069B	none	none	none	1	none
14	Latch, Glass Enclosure Panel	69L2101	2	2	1	1	1	
15	Magnet, Latch, Spring-Loaded	69L3101	4	4	2	2	1	
16	Switch, Rocker	27K3001	1	1	1	1	1	
17	Limit Switch	62L1601	1	1	1	1	1	
18	Flex Gas Line Connector	43K3301	1	1	1	1	1	

# REPLACEMENT PARTS

Note: - EBPF-2 Shown - see the tables on *pages 20 and 21* for replacement parts applicable to EBST-2, EBCR-2, EBCL-2 and EBBAY fireplaces.



**NOTES:**

---

Lennox Hearth Products reserves the right to make changes at any time, without notice, in design, materials, specifications, prices and also to discontinue colors, styles and products. Consult your local distributor for fireplace code information.

Printed in U.S.A. © 2002 by LENNOX HEARTH PRODUCTS  
**P/N 875,012M REV. D 05/2004**

***LENNOX***<sup>®</sup>  
**HEARTH PRODUCTS**  
1110 West Taft Avenue • Orange, CA 92865