

This Owner's Manual is provided and hosted by [Appliance Factory Parts](#).



Black & Decker BDH2020FL Owner's Manual

[Shop genuine replacement parts for Black & Decker
BDH2020FL](#)



[Find Your Black & Decker Vacuum Cleaner Parts - Select From 339 Models](#)

----- Manual continues below -----

BLACK+ DECKER

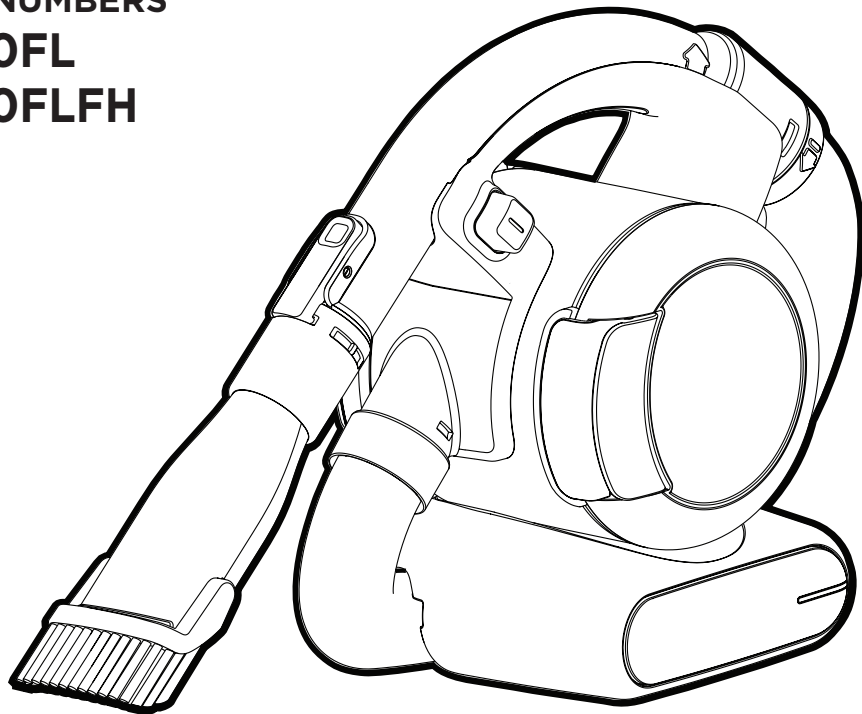
FLEX™ VAC

INSTRUCTION MANUAL

CATALOG NUMBERS

BDH2020FL

BDH2020FLFH



**PLEASE READ BEFORE RETURNING THIS
PRODUCT FOR ANY REASON.**

If you have a question or experience a problem with your BLACK+DECKER purchase, go to <http://www.blackanddecker.com/instantanswers>
If you can't find the answer or do not have access to the Internet, call 1-800-544-6986 from 8 a.m. to 5 p.m. EST Mon. - Fri. to speak with an agent. Please have the catalog number available when you call.

SAVE THIS MANUAL FOR FUTURE REFERENCE.

VEA EL ESPAÑOL EN LA CONTRAPORTADA.
INSTRUCTIVO DE OPERACIÓN, CENTROS DE SERVICIO Y PÓLIZA DE GARANTÍA.
ADVERTENCIA: LÉASE ESTE INSTRUCTIVO ANTES DE USAR EL PRODUCTO.

To register your new product, call 1-800-544-6986
or visit www.BlackandDecker.com/NewOwner

SAFETY GUIDELINES - DEFINITIONS

It is important for you to read and understand this manual.

The information it contains relates to protecting YOUR SAFETY and PREVENTING PROBLEMS. The symbols below are used to help you recognize this information.

⚠ DANGER: Indicates an imminently hazardous situation which, if not avoided, will result in death or serious injury.

⚠ WARNING: Indicates a potentially hazardous situation which, if not avoided, could result in death or serious injury.

⚠ CAUTION: Indicates a potentially hazardous situation which, if not avoided, may result in minor or moderate injury.

NOTICE: Used without the safety alert symbol indicates potentially hazardous situation which, if not avoided, may result in property damage.

IMPORTANT SAFETY INSTRUCTIONS

When using an electrical appliances, basic precautions should always be followed, including the following:

READ ALL INSTRUCTIONS BEFORE USING THIS APPLIANCE.

⚠ WARNING: Read all safety warnings and all instructions. Failure to follow the warnings and instructions listed below may result in electric shock, fire and/or serious injury.

⚠ WARNING: This product contain chemicals known to the State of California to cause cancer and birth defects or other reproductive harm. **WASH HANDS AFTER HANDLING.**

⚠ WARNING: Some household dust contains chemicals known to the State of California to cause cancer, birth defects or other reproductive harm such as asbestos and lead in lead based paint.

⚠ WARNING: To reduce the risk of fire, electrical shock or injury:

- **⚠ WARNING:** To reduce the risk of electric shock – Do not use outdoors or on wet surfaces.
- Do not allow to be used as a toy. Close attention is necessary when used by or near children.
- Use only as described in this manual. Use only manufacturer's recommended attachments.
- Do not use with damaged cord or plug. If appliance is not working as it should, has been dropped, damaged, left outdoors, or dropped into water, return it to a service center.
- Do not pull or carry by cord, use cord as a handle, close a door on cord, or pull cord around sharp edges or corners. Do not run appliance over cord. Keep cord away from heated surfaces.
- Do not unplug by pulling on cord. To unplug, grasp the plug, not the cord.
- Do not handle charger, including charger plug, and charger terminals with wet hands.
- Do not put any object into openings. Do not use with any opening blocked; keep free of dust, lint, hair, and anything that may reduce air flow.
- Keep hair, loose clothing, fingers, and all parts of body away from openings and moving parts.
- Use extra care when cleaning on stairs.
- Do not use to pick up flammable or combustible liquids, such as gasoline, or use in areas where they may be present.
- Do not pick up anything that is burning or smoking, such as cigarettes, matches, or hot ashes.
- Do not use without dust bag and/or filters in place.
- Do not charge the unit outdoors.
- Use only the charger supplied by the manufacturer to recharge.

- Do not incinerate the appliance even if it is severely damaged. The batteries can explode in a fire.
- This appliance is intended for household use only and not for commercial or industrial use.
- Shock Hazard. To protect against risk of electrical shock, do not put unit or charging base in water or other liquid.
- Do not allow the cord to hang over the edge of a table or counter or touch hot surfaces. The unit should be placed or mounted away from sinks and hot surfaces.
- Plug the charger directly into an electrical outlet.
- Use the charger only in a standard electrical outlet (120V/60Hz).
- Unplug the charger from outlet before any routine cleaning or maintenance.
- This product includes rechargeable lithium-ion batteries. Do not incinerate batteries as they will explode at high temperatures.
- Do not look into the air vents when the unit is switched on, as sometimes there is a possibility of small debris being discharged from the air vents, especially after cleaning / replacement of the filters as debris inside the unit can be disturbed.

ADDITIONAL SAFETY WARNINGS

- a) Prevent unintentional starting. Ensure the switch is in the off-position before connecting to battery pack, picking up or carrying the appliance.** Carrying the appliance with your finger on the switch or energizing appliance that have the switch on invites accidents.
- b) Recharge only with the charger specified by the manufacturer.** A charger that is suitable for one type of battery pack may create a risk of fire when used with another battery pack.
- c) Under abusive conditions, liquid may be ejected from the battery; avoid contact. If contact accidentally occurs, flush with water. If liquid contacts eyes, additionally seek medical help.** Liquid ejected from the battery may cause irritation or burns.
- d) Do not use a battery pack or appliance that is damaged or modified.** Damaged or modified batteries may exhibit unpredictable behavior resulting in fire, explosion or risk of injury.
- e) Do not expose a battery pack or appliance to fire or excessive temperature.** Exposure to fire or temperature above 266°F (130°C) may cause explosion.
- f) Have servicing performed by a qualified repair person using only identical replacement parts.** This will ensure that the safety of the product is maintained.

⚠ WARNING: Do not attempt to modify or repair the appliance

Symbols

- The label on your tool may include the following symbols. The symbols and their definitions are as follows:

<p>V.....volts</p> <p>Hz.....hertz</p> <p>min.....minutes</p> <p>== or DC ..direct current</p> <p>ⓘClass I Construction (grounded)</p> <p>ⓂClass II Construction (double insulated)</p> <p>Wh.....Watt Hours</p>	<p>A.....amperes</p> <p>W.....watts</p> <p>~ or AC.....alternating current</p> <p>n_0.....no load speed</p> <p>⊕.....earthing terminal</p> <p>⚠safety alert symbol</p> <p>.../min or rpm..revolutions or reciprocation per minute</p>
--	--

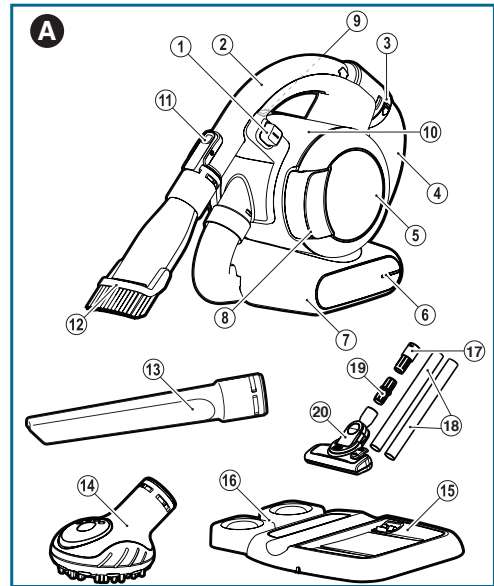
SAVE THESE INSTRUCTIONS

PRODUCT FEATURES (FIGURE A)

1. On/off power switch
2. Removable handle
3. Locking ring
4. Hose
5. Dust container door
6. LED charging indicator
7. Battery housing
8. Door latch
9. Bowl release button
10. Removable bowl
11. Accessory clip
12. 2-in-1 nozzle accessory
13. Crevice tool
14. Pet hair tool (BDH2020FLFH, BDH2020FL)
15. Charging base
16. Accessory storage mounts

BDH2020FLFH ONLY:

17. Floor head adapter
18. Floor head extensions
19. Extension connector
20. Floor head



ASSEMBLY

ACCESSORY STORAGE MOUNTS

Snap accessory storage mounts (16) onto the side of the charging base (15) so the entire assembly appears as shown in **Figure A**. This allows for convenient storage of all accessories.

MOUNTING ACCESSORIES (FIGURES B - D)

The 2-in-1 nozzle / brush tool (12) has a brush that can be folded forward for dusting and upholstery cleaning.

The pet hair cleaning tool (14) (BDH2020FLFH, BDH2020FL) is for use when vacuuming pet hair and/or ground-in debris from carpeted or upholstery surfaces.

⚠ WARNING: Injury to pets. Do not use pet hair cleaning tool directly on animals.

The crevice tool (13) allows for vacuuming in narrow and hard to-reach places.

- To attach an accessory, press the accessory clip (11) and slide the accessory onto the handle (2).
- To remove an accessory, press the accessory clip (11) and remove the accessory.

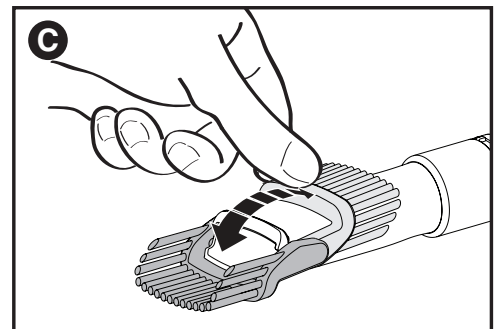
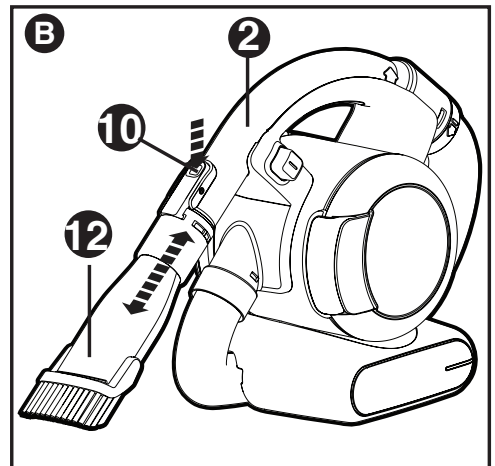
To unwrap and extend the handle and hose:

The handle and hose can be unwrapped from the main appliance for extended reach when cleaning. Grab the handle and lift upwards. Unwrap the handle and hose from the main appliance. The hose can extend up to approximately 4 feet (1.21m).

To place the handle and hose back onto the main appliance, wrap the hose back underneath and around the vac making sure that the hose fits between the two "feet" of the appliance. Align the handle with its cradle and click back into place. The handle (2) can be removed from the hose allowing the accessories to be connected directly to the hose cuff (20) when desired.

To remove the handle:

- Unclip the handle (2) from the appliance.



- Rotate the locking ring (3) counterclockwise to release the clips.
- Pull the hose away from the handle.
- Fit the accessory directly to the hose cuff (20).

To refit the handle:

- Remove the accessory from the hose.
- Push the hose into the handle (2). Rotate locking ring (3) clockwise until it clicks into place.

**ASSEMBLING FLOOR HEAD (FIGURE E)
(BDH2020FLFH ONLY)**



This vacuum is equipped with a floor head for wider floor cleaning.

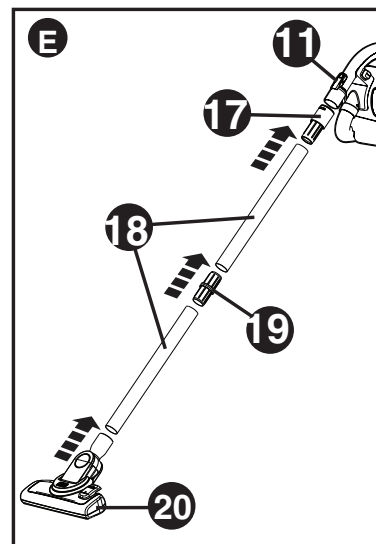
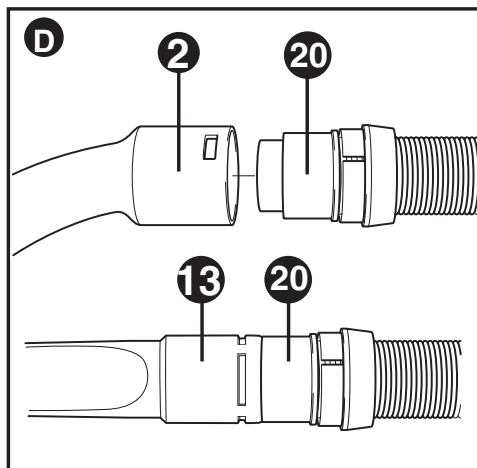
- Press and hold the accessory clip (11).
- Slide the floor head adapter (17) onto the handle (2).
- Connect the two floor head extensions (18), extension connector (19), and the floor head (20) to the end for the floor head adaptor.

NOTE: The floor head attaches using friction fitting, so a click will not be heard when assembled. Ensure that all parts of the floor head assembly are securely connected.

CARPET / FLOORING SELECTOR SWITCH (FIGURE F)

The floor head's agitator brush can be used for light carpet cleaning and removing tough messes on hard floors. It can be activated by depressing the selector switch (21) located on the top of the floor head accessory.

- To engage the agitator brush, depress the side of the selector switch marked .
- To disengage the brush, depress the side of the selector switch marked .

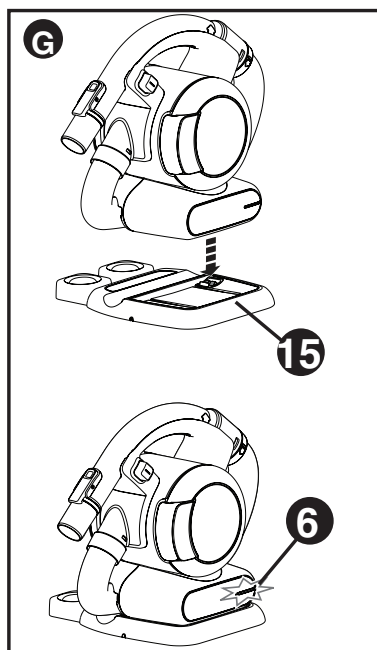


OPERATION

Before first use, the batteries must be charged for at least 4 hours.

- Connect the appliance to the charger for a minimum of 4 hours.
- Charge the batteries as described below.

CHARGING THE BATTERY (FIGURE G)



WARNING:

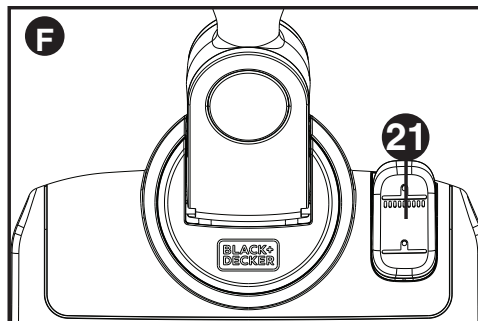
Charge only at ambient temperatures between 50°F (10°C) and 104°F (40°C). The charger supplied with this product is intended to be plugged in such that it is correctly oriented in floor mount position.

To charge the appliance:

- Make sure the appliance is switched off. The battery will not be charged with the on/off power switch (1) in the on position.
- Plug the charging base (15) into a standard 120 Volt 60 Hz electrical outlet.
- Lower the appliance onto the charging base. The charging indicator LED will illuminate.
- When charging is complete, the LED will turn off.

While charging, the charger may become warm. This is normal and does not indicate a problem.

Leaving the appliance connected to the charger indefinitely will not damage the appliance's batteries or shorten its run time. The charger automatically reduces power consumption when charging is complete.



SWITCHING ON AND OFF (FIGURE H)

- To switch the appliance on, slide the on/off switch (1) to the right until it clicks into the on position.
- To switch the appliance off, slide the on/off switch to the left until it clicks into the off position.

VACUUMING

- When operating the appliance, make sure the hose is not trapped, twisted or blocked.

Two hose positions while vacuuming:

1. You can vacuum with the handle (2) and hose (4) wrapped around the main appliance. Cleaning in this mode is great for quick pick-ups because the vac is in its most compact form.
2. You can vacuum with the handle (2) and hose (4) unwrapped from the main appliance allowing you to reach up to approximately 4 feet (1.2 m) from the appliance.
 - With handle and hose unwrapped the appliance can be carried using the built-in handle on the main appliance.
 - The handle can also be removed from the hose so that you can connect an accessory directly to the hose cuff (17) when desired.

HINTS FOR OPTIMUM USE

- When vacuuming stairs, always start at the bottom and work your way up.
- Use the pet hair cleaning tool to agitate and suction up pet hair and ground-in debris from carpeted or upholstery surfaces.
- In order to keep the suction force optimized, the filters must be cleared regularly during use.

CLEANING AND MAINTENANCE

⚠ WARNING: Do not, under any circumstances, immerse the appliance in water. A damp cloth and soapy water should be used to clean the exterior of the appliance. Always make sure the appliance is completely dry before reuse or storage.

EMPTYING THE DUST CONTAINER (FIGURE I)

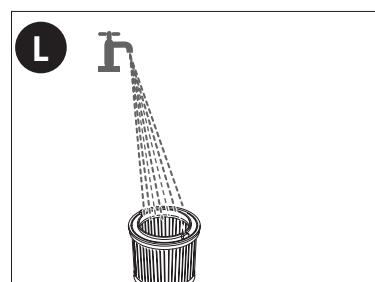
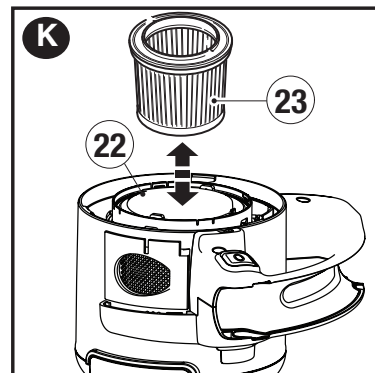
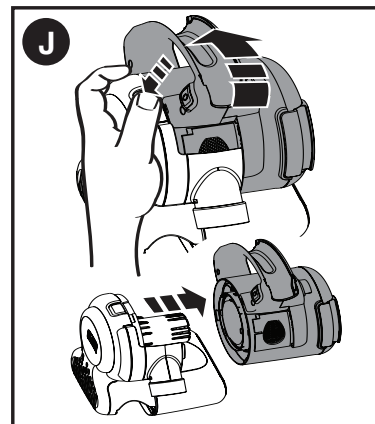
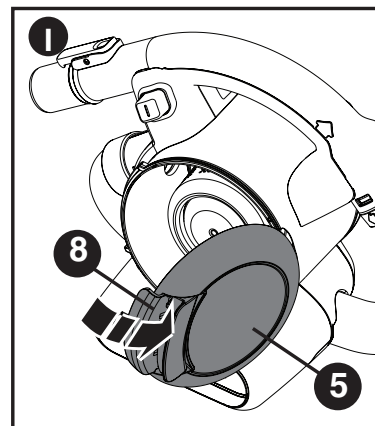
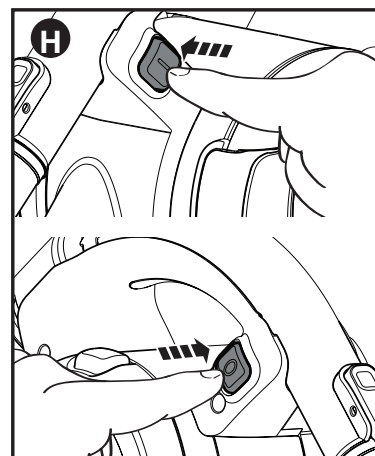
The dust container must be emptied regularly, preferably after every use.

- Pull the door latch (8) and open the dust container door (5).
- Tilt appliance to empty dirt.
- Tap the back end of appliance if debris does not fall out easily or remove filters for better access.

CLEANING FILTERS (FIGURES J - L)

Both the plastic pre-filter (22) and the pleated filter (23) are re-usable and should be cleaned regularly.

- Unwrap the hose (4) and handle (2) from the main part of the appliance.
- Pull the door latch (8) and open the dust container door (5) and empty contents into a waste basket.
- Push and hold the release button on the opposite side of the handle from the dust container door (5).
- Rotate the handle toward the back of the appliance **as shown in figure J**.
- Pull the dust container to the side, away from the base of the appliance.
- Remove the pleated filter from the pre-filter by pulling firmly **as shown in figure K**.
- Tap the filters vigorously to remove loose dust.
- **If necessary, wash the filter (13) in warm, soapy water as shown in figure L.**
- **Make sure that the filter is dry before refitting it to the appliance.**
- Refit the pleated filter into the plastic pre-filter.

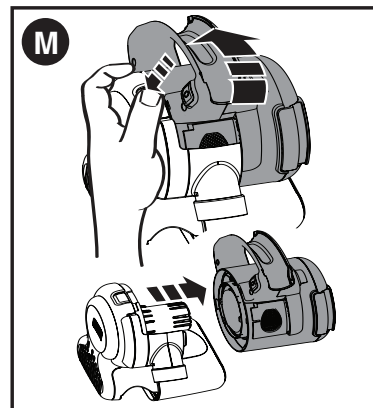


TO REPLACE THE DUST CONTAINER

- Slide the container back onto the base and rotate the handle toward the front of the appliance until an audible click is heard. Ensure that the container is fully fastened back onto the base.
- Close the container door and make sure it clicks into place.

CLEANING THE DUST CONTAINER (FIGURE M - N)

- Unwrap the hose (4) and handle (2) from the main part of the appliance.
- Push and hold the release button on the opposite side of the handle from the dust container door (5).
- Rotate the handle toward the back of the appliance **as shown in figure M**.
- Pull the dust container to the side, away from the base of the appliance.
- Remove the pre-filter (22) and filter (23) from the appliance by twisting the filter to the right and pulling it from the appliance.
- Once filters are removed, wipe the dust container (10) and pre-filter (23) with a damp cloth, or rinse with warm soapy water and allow to dry **as shown in figure N**.



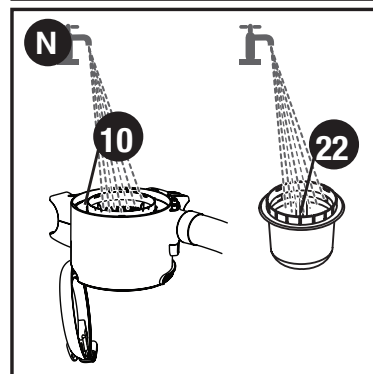
TO REPLACE THE DUST CONTAINER

- Slide the container back onto the base and rotate the handle toward the front of the appliance until an audible click is heard. Ensure that the container is fully fastened back onto the base.

TROUBLESHOOTING

If the product does not work, check the following:

- The charger was correctly plugged in for recharge.
- The charger cord is not damaged and is correctly attached to the charging base.
- The charger is plugged into a working electrical outlet.
- The appliance was switched to the “off” position to charge. The battery will not be charged with the switch in the “on” position.



- One of the filters may be clogged. Pull the door latch and open the dust container door. Remove the pre-filter and the pleated filter. Brush any loose dust off the filters and wash them in warm, soapy water. Make sure the filters are dry before placing back in the vacuum.

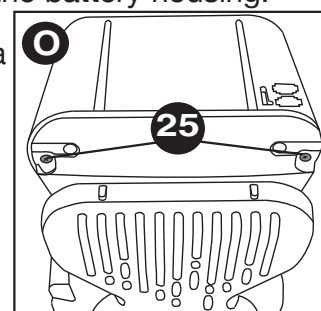
For assistance with your product, visit our website www.blackanddecker.com for the location of the service center nearest you or call the BLACK+DECKER help line at **1-800-544-6986**.

BATTERY REMOVAL AND DISPOSAL

This product uses Lithium Ion rechargeable and recyclable batteries. When the batteries no longer hold a charge, they should be removed from the Vac and recycled. They must not be incinerated or composted. The batteries can be taken for disposal to a BLACK+DECKER, Company-Owned or Authorized Service Center. Some local retailers are also participating in a national recycling program (see “RBRC™ Seal”). Call your local retailer for details. If you bring the batteries to a BLACK+DECKER Company-Owned or Authorized Service Center, the Center will arrange to recycle old batteries. Or, contact your local municipality for proper disposal instructions in your city/town.

TO REMOVE THE BATTERY PACK FOR DISPOSAL:

- 1.) Before attempting to disassemble the product, turn it on and leave it on until the motor completely stops, ensuring a complete discharge of the battery.
- 2.) Remove the dust container (10) as described in the “CLEANING THE DUST CONTAINER” section.
- 3.) Invert the appliance to gain access to the screws that attach the base.
- 4.) Remove the two screws (25) shown in **(figure O)** and lift off the battery housing.
- 5.) Detach all lead connections from the battery pack.
- 6.) Remove battery pack and place in suitable packaging to prevent a short circuit of the battery terminals.
- 7.) Recycle of batteries as per recommended guidelines.



MAINTENANCE

Use only mild soap and damp cloth to clean the vac. Never let any liquid get inside the vac; never immerse the battery/motor housing in liquid.

⚠ WARNING: Make sure the vacuum is completely dry before using it.
IMPORTANT: To assure product SAFETY and RELIABILITY, repairs, maintenance and adjustment (other than those listed in this manual) should be performed by authorized service centers or other qualified service organizations, always using identical replacement parts.

The RBRC[®] Seal

The RBRC[®] (Rechargeable Battery Recycling Corporation)



Seal on the nickel cadmium, nickel metal hydride or lithium-ion batteries (or battery packs) indicates that the costs to recycle these batteries (or battery packs) at the end of their useful life have already been paid by BLACK+DECKER. In some areas, it is illegal to place spent nickel cadmium, nickel metal hydride or lithium-ion batteries in the trash or municipal solid waste stream and the Call 2 Recycle[®] program provides an environmentally conscious alternative. Call 2 Recycle, Inc., in cooperation with BLACK+DECKER and other battery users, has established the program in the United States and Canada to facilitate the collection of spent nickel cadmium, nickel metal hydride or lithium-ion batteries. Help protect our environment and conserve natural resources by returning the spent nickel cadmium, nickel metal hydride or lithium-ion batteries to an authorized BLACK+DECKER service center or to your local retailer for recycling. You may also contact your local recycling center for information on where to drop off the spent battery. RBRC[®] is a registered trademark of Call 2 Recycle, Inc.

This Class B digital apparatus complies with Canadian ICES-003. This device complies with part 15 of the FCC rules. Operation is subject to the following two conditions: (1) This device may not cause harmful interference, and (2) this device must accept any interference received, including interference that may cause undesired operation.

NOTE: This equipment has been tested and found to comply with the limits for a Class B digital device, pursuant to Part 15 of the FCC Rules. These limits are designed to provide reasonable protection against harmful interference in a residential installation. This equipment generates, uses and can radiate radio frequency energy and, if not installed and used in accordance with the instructions, may cause harmful interference to radio communications. However, there is no guarantee that interference will not occur in a particular installation.

If this equipment does cause harmful interference to radio or television reception, which can be determined by turning the equipment off and on, the user is encouraged to try to correct the interference by one or more of the following measures:

- Reorient or relocate the receiving antenna.
- Increase the separation between the equipment and receiver.
- Connect the equipment into an outlet on a circuit different from that to which the receiver is connected.
- Consult the dealer or an experienced radio/TV technician for help.

Changes or modifications to this unit not expressly approved by the party responsible for compliance could void the user's authority to operate the equipment. This Class B digital apparatus complies with Canadian ICES-003.

TWO-YEAR LIMITED WARRANTY

Black & Decker (U.S.) Inc. warrants this product to be free from defects in material or workmanship for a period of two (2) years following the date of purchase, provided that the product is used in a home environment. This limited warranty does not cover failures due to abuse, accidental damage or when repairs have been made or attempted by anyone other than BLACK+DECKER and its Authorized Service Centers. A defective product meeting the warranty conditions set forth herein will be replaced or repaired at no charge in either of two ways:

The first, which will result in exchanges only, is to return the product to the retailer from whom it was purchased (provided that the store is a participating retailer). Returns should be made within the time period of the retailer's policy for exchanges. Proof of purchase may be required. Please check with the retailer for its specific return policy regarding time limits for returns or exchanges. The second option is to take or send the product (prepaid) to a BLACK+DECKER owned or authorized Service Center for repair or replacement at BLACK+DECKER's option. Proof of purchase may be required. BLACK+DECKER owned and authorized service centers are listed online at www.blackanddecker.com.

This warranty does not apply to accessories. This warranty gives you specific legal rights and you may have other rights which vary from state to state. Should you have any questions, contact the manager of your nearest BLACK+DECKER Service Center. This product is not intended for commercial use, and accordingly, such commercial use of this product will void this warranty. All other guarantees, express or implied, are hereby disclaimed.

LATIN AMERICA: This warranty does not apply to products sold in Latin America. For products sold in Latin America, check country specific warranty information contained in the packaging, call the local company or see the website for such information.

FREE WARNING LABEL REPLACEMENT: If your warning labels become illegible or are missing, call **1-800-544-6986** for a free replacement.

Imported by
Black & Decker (U.S.) Inc.,
701 E. Joppa Rd., Towson, MD 21286 U.S.A.



BLACK+ DECKER

MODE D'EMPLOI

ASPIRATEUR SANS FIL À MINI-RÉSERVOIR

NUMERO DE CATALOGUE

BDH2020FL, BDH2020FLFH

À LIRE AVANT DE RETOURNER CE PRODUIT POUR QUELQUE RAISON QUE CE SOIT :

Si des questions ou des problèmes surgissent après l'achat d'un produit BLACK+DECKER, consulter le site Web www.blackanddecker.com/instantanswers pour obtenir des réponses instantanément 24 heures par jour. Si la réponse est introuvable ou en l'absence d'accès à l'Internet, composer le 1 800 544-6986 de 8 h à 17 h HNE, du lundi au vendredi, pour parler avec un agent. Prière d'avoir le numéro de catalogue sous la main lors de l'appel. Pour l'achat d'un filtre de rechange composer le 1-888-678-7278

CONSERVER CE MODE D'EMPLOI POUR UN USAGE ULTÉRIEUR.

Merci d'avoir choisi BLACK+DECKER! Consulter le site Web www.BlackandDecker.com/NewOwner pour enregistrer votre nouveau produit.

LIGNES DIRECTRICES EN MATIÈRE DE SÉCURITÉ - DÉFINITIONS

Il est important que vous lisiez et compreniez ce mode d'emploi. Les informations qu'il contient concernent VOTRE SÉCURITÉ et visent à ÉVITER TOUT PROBLÈME. Les symboles ci-dessous servent à vous aider à reconnaître cette information.

⚠ DANGER : Indique une situation dangereuse imminente qui, si elle n'est pas évitée, causera la mort ou des graves blessures.

⚠ AVERTISSEMENT : Indique une situation potentiellement dangereuse qui, si elle n'est pas évitée, pourrait causer la mort ou de graves blessures.

⚠ MISE EN GARDE : Indique une situation potentiellement dangereuse qui, si elle n'est pas évitée, pourrait causer des blessures mineures ou modérées.

MISE EN GARDE : Utilisé sans le symbole d'alerte à la sécurité, indique une situation potentiellement dangereuse qui, si elle n'est pas évitée, peut résulter en des dommages à la propriété.

CONSIGNES DE SÉCURITÉ IMPORTANTES

Lors de l'utilisation d'appareils électriques, toujours observer des précautions de base, notamment les suivantes :

LIRE TOUTES LES CONSIGNES AVANT D'UTILISER L'APPAREIL ÉLECTRIQUE.

⚠ AVERTISSEMENT : Lire tous les avertissements de sécurité et toutes les consignes. Le non-respect des avertissements et des directives ci-dessous peut entraîner des risques de choc électrique, d'incendie ou de blessures graves.

⚠ AVERTISSEMENT : Ce produit contient produits chimiques qui sont reconnus, par l'état de la Californie, de causer le cancer, les anomalies congénitales ou autres maux de reproduction. **SE LAVER LES MAINS APRÈS TOUTE MANIPULATION.**

⚠ AVERTISSEMENT : Certaines poussières domestiques contiennent des produits chimiques identifiés par l'État de Californie comme pouvant causer le cancer, des anomalies congénitales et d'autres dangers pour la reproduction, tels que l'amiante et le plomb contenu dans les peintures au plomb.

⚠ AVERTISSEMENT : Pour réduire les risques d'incendie, de choc électrique ou de blessures :

⚠ AVERTISSEMENT : Afin de réduire le risque de choc électrique, ne pas utiliser à l'extérieur ou sur une surface mouillée.

- Ne pas permettre l'utilisation de l'appareil comme jouet. Une étroite surveillance est nécessaire si l'appareil est utilisé par des enfants ou près de ceux-ci.
- Utiliser l'appareil uniquement selon les indications données dans le présent manuel. Utiliser uniquement les accessoires recommandés par le fabricant.
- Ne pas utiliser l'appareil si sa fiche ou son cordon est endommagé. Si un appareil ne fonctionne pas comme il devrait, s'il est tombé au sol ou dans l'eau, s'il est endommagé ou s'il a été laissé à l'extérieur, l'envoyer à un centre de réparation.
- Ne pas tirer sur le cordon, ni transporter l'outil par le cordon, ne pas utiliser le cordon comme poignée, ni fermer une porte dessus, ni tirer le cordon contre des bords tranchants ou des coins. Ne pas passer l'appareil sur le cordon. Tenir le cordon éloigné des surfaces chauffées.
- Ne pas débrancher l'appareil en tirant sur son cordon. Pour le débrancher, saisir la fiche et non le cordon.
- Ne pas manipuler la fiche si vous avez les mains mouillées.
- Ne pas insérer d'objet dans les ouvertures de l'appareil. Ne pas utiliser l'appareil si ses ouvertures sont bouchées; les tenir exemptes de poussière, de peluche, de cheveux et de toute chose pouvant réduire la circulation d'air.
- Tenir les cheveux, les vêtements, les doigts et toutes les parties du corps à distance des ouvertures et des pièces mobiles.
- Être très prudent lors du nettoyage des escaliers.
- Ne pas utiliser cet appareil pour ramasser des liquides inflammables ou des combustibles comme de l'essence et ne pas l'utiliser dans les endroits où ces substances sont présentes.
- Ne pas ramasser de matières brûlantes ou fumantes comme des cigarettes, des allumettes ou des cendres chaudes.
- Utiliser uniquement l'appareil si le sac à poussière, les filtres ou les deux sont en place.
- Ne pas charger l'appareil à l'extérieur.
- L'appareil est conçu pour une utilisation domestique seulement et non industrielle ou commerciale.
- Risque de décharge électrique. Afin de se protéger contre les risques de décharge électrique, ne pas immerger l'appareil dans l'eau ou tout autre liquide.
- Ne pas laisser le cordon pendre sur le bord d'une table ou d'un comptoir, ni toucher des surfaces chaudes. L'appareil doit être placé ou fixé loin de tout évier et de toute surface chaude.
- Brancher l'appareil directement dans une prise électrique.
- Brancher uniquement l'appareil dans une prise électrique d'automobile standard.

- Débrancher l'appareil avant tout nettoyage ou entretien de routine.
- Ne pas regarder dans les événements lorsque l'appareil est en marche, car il arrive parfois que de petits débris s'en échappent, surtout après un nettoyage ou un remplacement de filtre qui aurait tendance à les libérer.






CONSIGNES DE SÉCURITÉ ADDITIONNELLES

- a) Prévenir tout démarrage accidentel. S'assurer que l'interrupteur est en position d'arrêt avant de connecter l'appareil à un bloc-piles, et avant de le saisir ou de le transporter.** Transporter un appareil le doigt sur l'interrupteur, ou l'alimenter alors que l'interrupteur est en position de marche, invite les accidents.
- b) Le recharger seulement avec le chargeur spécifié par le fabricant.** Un chargeur propre à un type de bloc-piles peut créer des risques d'incendie lorsqu'utilisé avec d'autres blocs-piles.
- c) Sous certaines conditions inappropriées, le bloc-piles pourra perdre du liquide. Éviter tout contact avec ce liquide. Si cela se produisait, rincer à l'eau claire. En cas de contact oculaire, consulter aussi un médecin. Le liquide perdu par le bloc-piles peut causer irritations ou brûlures.**
- d) Ne pas utiliser un bloc-piles ou un appareil endommagé ou modifié.** Un bloc-piles endommagé ou modifié pourrait se comporter de façon imprévisible et poser des risques d'incendie, d'explosion ou de dommages corporels.
- e) Ne pas exposer un bloc-piles ou un appareil au feu, ou à des températures excessives.** Toute exposition au feu ou à des températures supérieures à 130 °C (266 °F) pose des risques d'explosion.
- f) Faire entretenir cet appareil par un réparateur qualifié qui n'utilisera que des pièces de rechange identiques.** Cela permettra d'assurer l'intégrité du produit et la sécurité de l'utilisateur.

⚠ AVERTISSEMENT : ne pas tenter de modifier ou réparer l'appareil.

Symboles

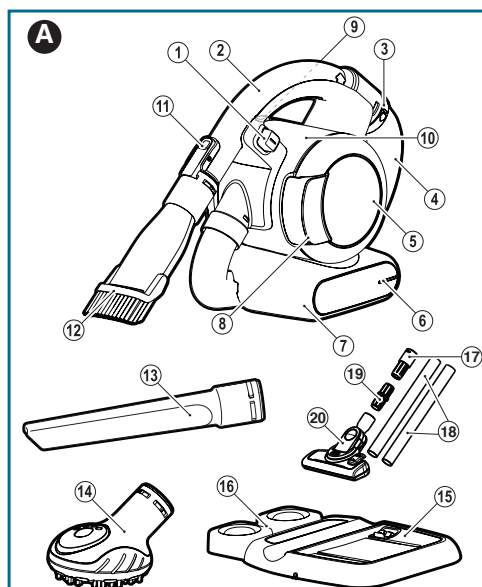
- L'étiquette apposée sur votre outil pourrait comprendre les symboles suivants. Les symboles et leurs définitions sont indiqués ci-après :

<p>V volts</p> <p>Hz hertz</p> <p>min minutes</p> <p> ou DC courant continu</p> <p> Construction de classe I (mis à la terre)</p> <p> Construction de classe II</p> <p>RPM ou .../min tours à la minute</p> <p>Wh Watt Heures</p>	<p>A ampères</p> <p>W watts</p> <p>~ ou AC courant alternatif</p> <p>no sous vide</p> <p> borne de mise à la minute</p> <p> symbole d'avertissement</p>
--	---

CONSERVER CES DIRECTIVES.

CARACTÉRISTIQUES DU PRODUIT

1. Interrupteur marche/arrêt
 2. Poignée amovible
 3. Bague de blocage
 4. Tuyau
 5. Trappe du contenant à poussière
 6. Voyant indicateur DEL de charge
 7. Compartiment des piles
 8. Loquet
 9. Bouton de dégagement du réservoir
 10. Réservoir amovible
 11. Attache d'accessoire
 12. Accessoire de l'embout 2 en 1
 13. Suceur plat
 14. Outil de nettoyage des poils (BDH2020FLFH, BDH2020FL)
 15. Base de charge
 16. Fixation de rangement des accessoires
- BDH2020FLFH SEULEMENT :**
17. Adaptateur de tête de balai
 18. Rallonges de tête de balai
 19. Connecteur extention
 20. Tête de balai



ASSEMBLAGE

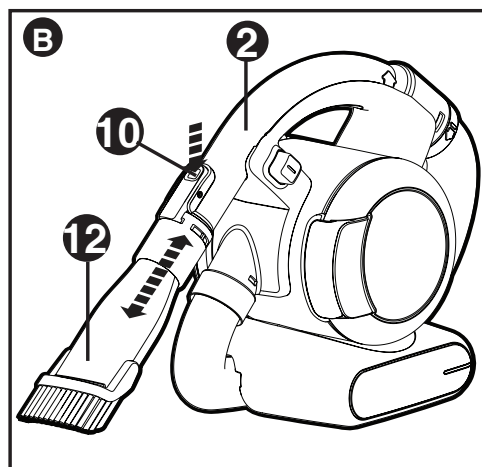
FIXATION DE RANGEMENT DES ACCESSOIRES

Enclenchez supports de rangement des accessoires (16) sur le côté de la base de chargement (15) de sorte que la totalité de l'ensemble apparaît comme dans la **Figure A**. Cela permet pour un rangement pratique de tous les accessoires.

MONTAGE DES ACCESSOIRES (FIGURES B - D)

L'embout/brosse 2 en 1 (12) est formé d'une brosse qui se replie vers l'avant pour l'époussetage et le nettoyage des meubles.

L'outil de nettoyage des poils (14) (BDH2020FLFH, BDH2020FL) sert à aspirer les poils, la saleté incrustée ou les deux à la surface des tapis ou des meubles.



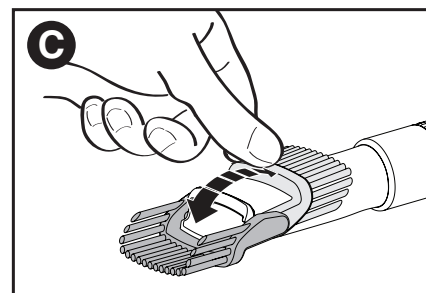
⚠ AVERTISSEMENT : risque de blesser les animaux domestiques. Ne pas utiliser l'outil de nettoyage des poils directement sur les animaux.

Le suceur plat (13) permet de passer l'aspirateur dans les espaces étroits et difficiles d'accès.

- Pour monter un accessoire (11), appuyer sur l'attache d'accessoire et glisser l'accessoire sur la poignée (2).
- Pour démonter un accessoire, appuyer sur l'attache d'accessoire et retirer l'accessoire.

Pour détacher et allonger la poignée et le tuyau :

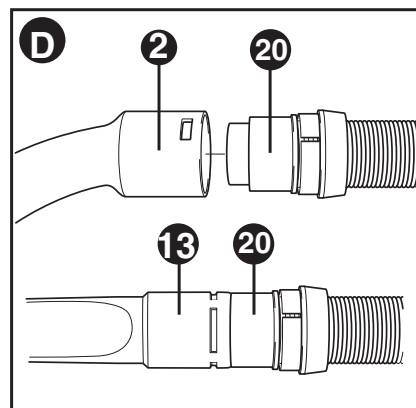
La poignée et le tuyau peuvent être détachés du corps de l'appareil pour en accroître la portée lors d'un nettoyage. Saisir la poignée à l'endroit indiqué par les flèches et soulever. Détacher la poignée et le tuyau du corps de l'appareil. Le tuyau étendu a une portée d'environ 1,21 m (4 pi). Pour replacer la poignée et le tuyau sur le corps de l'appareil, enrouler le tuyau sur l'aspirateur par le dessous en vous assurant de loger le tuyau entre les deux « pieds » de l'appareil. Aligner la poignée sur son support et l'enclencher en place.



La poignée (2) se détache du tuyau pour permettre le raccordement direct d'accessoires sur la bouche du tuyau (20) si désiré.

Pour retirer la poignée :

- Détacher la poignée (2) de l'appareil.
- Tourner la bague de blocage (3) dans le sens antihoraire pour que les attaches se désengagent.
- Séparer le tuyau de la poignée (2).
- Monter l'accessoire directement sur la bouche du tuyau (20).



POUR RÉINSTALLER LA POIGNÉE :

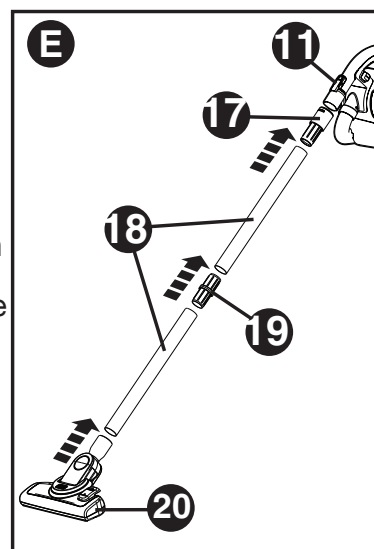
- Retirer l'accessoire du tuyau.
- Pousser le tuyau dans la poignée (2). Tourner la bague de blocage (3) dans le sens horaire jusqu'à ce qu'elle s'enclenche en place.

FIXATION DE LA TÊTE DE BALAI (FIGURE E) (BDH1620FLFH, BDH1620FLFHQ, BDH2020FLFH SEULEMENT)

L'aspirateur est muni d'une tête capable d'effectuer un balayage large.

- Tenir l'attache d'accessoire enfoncée (11).
- Glisser l'adaptateur de tête de balai (17) sur la poignée (2).
- Raccorder les deux rallonges de tête de balai (18), connecteur extension (19), et la tête de balai (20) au bout de l'adaptateur de tête de balai.

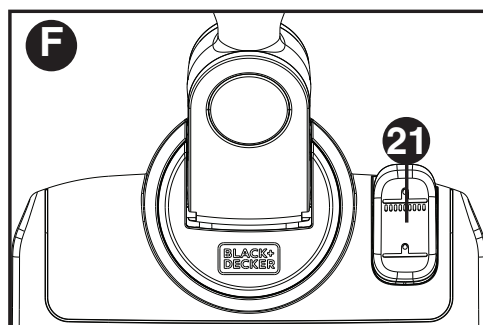
REMARQUE : La tête de l'étage s'attache à l'aide de friction d'ajustage, donc un clic ne sera pas entendu quand il est assemblé. S'assurer que toutes les pièces du module de tête de balai sont solidement raccordées.



SÉLECTEUR TAPIS/PLANCHER (FIGURE F)

Agitateur pinceau de la tête-de-chaussée peut être utilisé pour le nettoyage de tapis de lumière et éliminer les dégâts tenaces sur les sols durs. Il peut être activé en appuyant sur la touche de sélection (21) situé sur le dessus de l'accessoire de la tête-de-chaussée.

- Pour engager la brosse de battage, enfoncer le côté du sélecteur marqué .
- Pour désengager la brosse de battage, enfoncer le côté du sélecteur marqué .



Fonctionnement

Avant la première utilisation, les piles doivent être chargées pendant au moins 4 heures.

- Brancher l'appareil sur le chargeur pendant au moins 4 heures.
- Charger les piles comme suit.

Il se peut que l'appareil doive être chargé/déchargé au moins 5 fois avant d'atteindre son meilleur rendement en termes de durée de fonctionnement.

CHARGE DE LA PILE (FIGURE G)

⚠ AVERTISSEMENT : ne charger qu'à des températures ambiantes entre 10 °C (50 °F) et 40 °C (104 °F). Le chargeur fourni avec ce produit est correctement branché s'il est orienté en position verticale ou au plancher.

Pour charger l'appareil :

- S'assurer que l'appareil est éteint. La pile ne se chargera pas si l'interrupteur marche/arrêt (1) est en position de marche.
- Brancher la base de charge (15) dans une prise électrique standard de 120 volts, 60 Hz.
- Déposer l'appareil sur la base de charge. L'indicateur de charge DEL s'allume.
- Lorsque la charge est terminée, la DEL s'éteint.

Pendant la charge, le chargeur peut devenir chaud. C'est normal et cela n'indique pas de problème. Il n'est pas dangereux de laisser l'appareil connecté au chargeur indéfiniment; cependant, afin de réduire la consommation énergétique, nous recommandons de débrancher le chargeur après 24 heures.

MISE EN MARCHÉ ET ARRÊT (FIGURE H)

- Pour mettre l'appareil en marche, faire glisser l'interrupteur marche/arrêt (1) vers la droite jusqu'à ce qu'il s'enclenche en position de marche.
- Pour éteindre l'appareil, faire glisser l'interrupteur marche/arrêt vers la gauche jusqu'à ce qu'il s'enclenche en position d'arrêt.

ASPIRATION

- Au moment de passer l'aspirateur, il faut s'assurer que le tuyau n'est pas coincé, tordu ou bloqué.

Deux positions de serrage pendant le nettoyage:

1. On peut passer l'aspirateur avec la poignée (2) et le tuyau (4) enroulés autour du corps de l'appareil. Ce mode convient à merveille aux nettoyages rapides, car l'aspirateur est dans sa forme la plus compacte.
2. On peut passer l'aspirateur avec la poignée (2) et le tuyau (4) détachés du corps de l'appareil, ce qui étend la portée de l'appareil d'environ 1,2 m (4 pi).
 - Quand la poignée et le tuyau sont détachés, on transporte l'appareil en le tenant par la poignée intégrée au corps.
 - La poignée se détache aussi du tuyau pour permettre le raccordement direct d'un accessoire sur la bouche du tuyau (17) si désiré.

CONSEILS POUR OPTIMISER L'UTILISATION

- Lorsque l'on passe l'aspirateur dans les escaliers, il faut toujours commencer dans le bas et progresser vers le haut.
- Utiliser l'outil de nettoyage des poils pour déloger et aspirer les poils et la saleté incrustée à la surface des tapis ou des meubles.
- Pour maintenir au maximum la force d'aspiration, il est nécessaire de nettoyer régulièrement les filtres pendant l'utilisation.

NETTOYAGE ET ENTRETIEN

⚠ AVERTISSEMENT : Il ne faut en aucun cas immerger l'appareil dans l'eau. Nettoyer la surface externe de l'appareil au moyen d'un linge humide et d'eau savonneuse. Toujours s'assurer que l'appareil est complètement sec avant de le réutiliser ou de le ranger.

VIDAGE DU CONTENANT À POUSSIÈRE (FIGURE I)

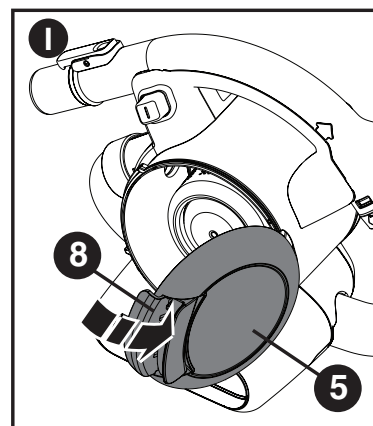
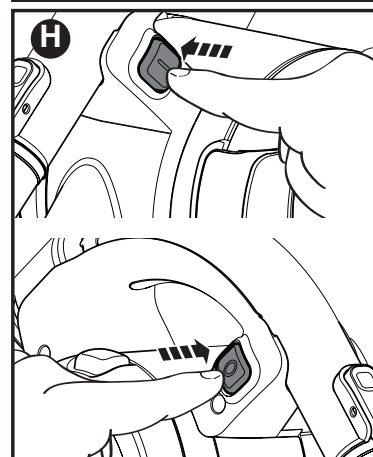
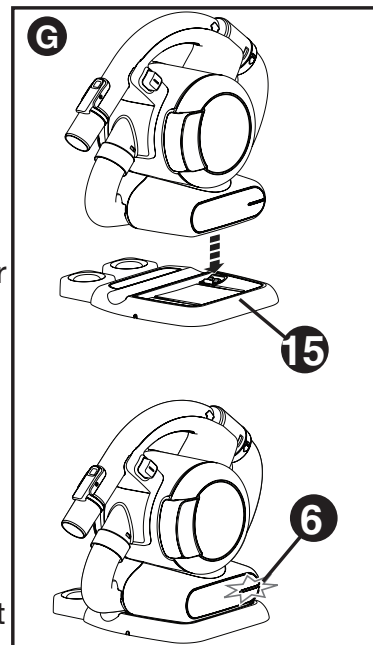
Le contenant à poussière doit être vidé régulièrement, de préférence après chaque utilisation.

- Tirer sur le loquet (8) et ouvrir la trappe transparente (6) à 180 degrés.
- Incliner l'appareil pour vider la poussière.
- Taper le dos de l'appareil si la saleté ne tombe pas facilement ou extraire les filtres pour mieux y accéder.

NETTOYAGE DES FILTRES (FIGURE J - L)

Le préfiltre de plastique (22) et le filtre plissé (23) sont tous deux réutilisables et doivent être nettoyés régulièrement.

- Détacher le tuyau (4) et la poignée (2) de la partie principale de l'appareil.
- Tirer sur le loquet (8), ouvrir la trappe du contenant à poussière (5) et mettre le contenu à la poubelle.



- Enfoncer le bouton de dégagement qui se trouve du côté opposé de la poignée, par rapport à la trappe du contenant à poussière (5), et le maintenir enfoncé.
- Tourner la poignée vers l'arrière de l'appareil comme le montre la **figure J**.
- Tirer latéralement sur le contenant à poussière pour le détacher de la base de l'appareil.
- Retirer le filtre plissé du préfiltre en tirant fermement comme le montre la **figure K**.
- Taper vigoureusement les filtres pour en libérer la poussière.
- Au besoin, laver le filtre (13) dans de l'eau chaude savonneuse comme le montre la **figure L**.
- S'assurer que le filtre est sec avant de le remettre en place dans l'appareil.
- Réinstaller le filtre plissé dans le préfiltre de plastique.

POUR REMETTRE LE CONTENANT À POUSSIÈRE EN PLACE

- Glisser le contenant sur la base et tourner la poignée vers l'avant de l'appareil jusqu'à ce qu'un clic se fasse entendre. S'assurer que le contenant est bien réattaché à la base.
- Fermer la trappe du contenant et s'assurer qu'elle s'enclenche en place.

NETTOYAGE DU CONTENANT À POUSSIÈRE (FIGURES M-N)

- Détacher le tuyau (4) et la poignée (2) de la partie principale de l'appareil.
- Enfoncer le bouton de dégagement qui se trouve du côté opposé de la poignée, par rapport à la trappe du contenant à poussière (5), et le maintenir enfoncé.
- Tourner la poignée vers l'arrière de l'appareil comme le montre la **figure M**.
- Tirer latéralement sur le contenant à poussière pour le détacher de la base de l'appareil.
- Retirer le préfiltre (22) et le filtre (23) de l'appareil en tournant le filtre vers la droite et en tirant pour l'extraire.
- Une fois les filtres retirés, passer un chiffon humide sur le contenant à poussière (10) et le préfiltre (23) ou les rincer à l'eau chaude savonneuse, puis les laisser sécher comme le montre la **figure N**.

POUR REMETTRE LE CONTENANT À POUSSIÈRE EN PLACE

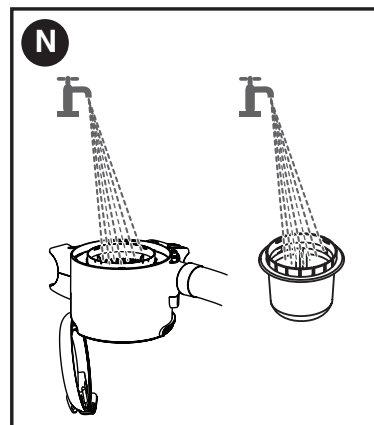
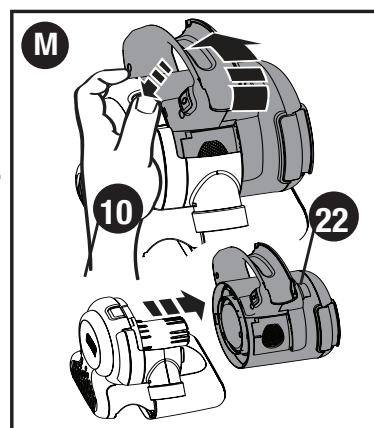
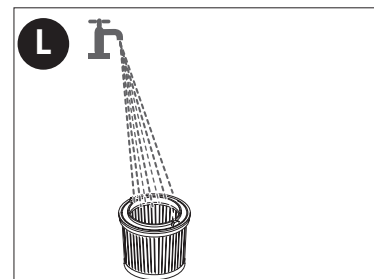
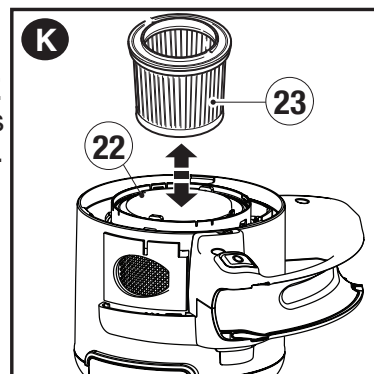
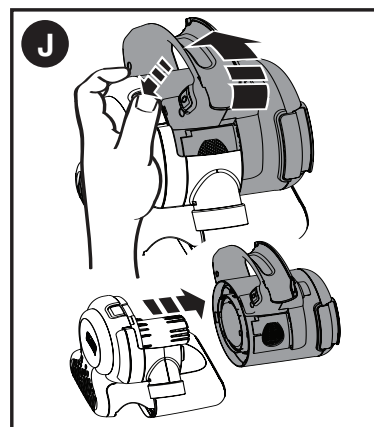
- Glisser le contenant sur la base et tourner la poignée vers l'avant de l'appareil jusqu'à ce qu'un clic se fasse entendre. S'assurer que le contenant est bien réattaché à la base.

DÉPANNAGE

Si le produit ne fonctionne pas, vérifier les éléments suivants :

- Le chargeur était correctement branché lors de la charge (il est légèrement chaud au toucher).
- Le cordon d'alimentation du chargeur n'est pas endommagé, et il est bien fixé à l'appareil.
- Le chargeur est branché dans une prise électrique qui fonctionne.
- L'interrupteur de l'appareil a été mis en position d'arrêt en vue de la charge. La pile ne se chargera pas si l'interrupteur est en position de marche.
- Le filtre est obstrué. Tirer sur le loquet et ouvrir la trappe du contenant à poussière. Retirer le préfiltre et le filtre fin. Brosser les filtres pour enlever toute poussière en surface et laver dans de l'eau chaude savonneuse. S'assurer que les filtres sont secs avant de les remettre dans l'aspirateur.

Pour de l'aide avec l'outil, consulter notre site Web www.blackanddecker.com pour l'emplacement du centre de



réparation le plus près ou communiquer avec l'assistance BLACK+DECKER au **1-800-544-6986**.

RETRAIT ET ÉLIMINATION DES PILES

Ce produit utilise des piles rechargeables et recyclables Lithium Ion. Quand les piles ne tiennent plus la charge, elles doivent être retirées de l'aspirateur et recyclées. Il ne faut pas les incinérer ou les mettre au compost.

On peut apporter les piles à un centre de réparation BLACK+DECKER ou un centre autorisé. Certains détaillants locaux participent également à un programme national de recyclage (voir la section « Le sceau RBRCTM »). Communiquer avec le détaillant local pour en connaître les détails. Le centre de réparation de BLACK+DECKER ou un centre autorisé prendra les dispositions nécessaires pour recycler les piles épuisées si on les rapporte à un tel centre. On peut aussi contacter la municipalité pour obtenir des directives de mise au rebut appropriées selon la ville.

RETRAIT DU BLOC-PILES POUR ÉLIMINATION : (FIGURE O)

1.) Avant de démonter le produit, le mettre en marche et le laisser fonctionner jusqu'à ce que le moteur s'arrête complètement, ce qui assure une décharge complète du bloc-piles.

2.) Retirer le contenant à poussière (10) comme l'indique la section « NETTOYAGE DU CONTENANT À POUSSIÈRE ».

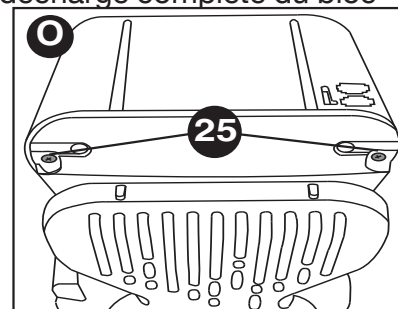
3.) Tourner l'appareil à l'envers pour avoir accès aux vis qui retiennent la base.

4.) Retirer les deux vis (25) illustrées (**figure L**) et soulever le compartiment des piles.

5.) Débrancher les connexions de câbles du bloc-piles.

6.) Retirer le bloc-piles et l'insérer dans un emballage approprié de façon à éviter un court-circuit des bornes.

7.) Éliminer les piles conformément aux lignes directrices recommandées.



ENTRETIEN

Ne nettoyer l'appareil qu'à l'eau savonneuse au moyen d'un linge humide. Ne jamais laisser de liquide s'infiltrer à l'intérieur de l'appareil; ne jamais immerger ce dernier dans quelque liquide que ce soit.

⚠ AVERTISSEMENT : s'assurer que l'aspirateur est complètement sec avant de l'utiliser.

IMPORTANT : Pour assurer la SÉCURITÉ et la FIABILITÉ de l'appareil, tous les travaux de réparation, d'entretien et de réglage autres que ceux décrits aux présentes doivent être effectués par le personnel d'un centre de service autorisé ou qualifié; seules des pièces de rechange identiques doivent être utilisées.

INFORMATION SUR LES RÉPARATIONS

Tous les centres de réparation BLACK+DECKER sont dotés de personnel qualifié en matière d'outillage électrique; ils sont donc en mesure d'offrir à leur clientèle un service efficace et fiable. Que ce soit pour un avis technique, une réparation ou des pièces de rechange authentiques installées en usine, communiquer avec l'établissement BLACK+DECKER le plus près de chez vous. Pour trouver l'établissement de réparation de votre région, composer le numéro suivant : **1-800-544-6986** ou consulter le site **www.blackanddecker.com**

Le sceau SRPRC®

Le sceau SRPRC® (Société de recyclage des piles rechargeables du Canada)



apposé sur une pile au nickel-cadmium, à hydrure métallique de nickel ou au lithium-ion (ou un bloc-piles) indique que les coûts de recyclage de ces derniers en fin d'utilisation ont déjà été réglés par BLACK+DECKER. Dans certaines régions, la mise au rebut ou aux ordures municipales des piles au nickel-cadmium, à l'hydrure métallique de nickel ou au lithium-ion, est illégale; le programme de l'Appel à Recycler constitue donc une solution pratique et écologique.

Appel à Recycler Canada, Inc., en collaboration avec BLACK+DECKER et d'autres utilisateurs de piles, a mis sur pied de programme aux États-Unis et au Canada pour faciliter la collecte des piles au nickel-cadmium, à l'hydrure métallique de nickel ou au lithium-ion usagées. Aidez-nous à protéger l'environnement et à conserver nos ressources naturelles en renvoyant les piles au nickel-cadmium, à l'hydrure métallique de nickel ou au lithium-ion usagées à un centre de réparation autorisé BLACK+DECKER ou chez votre détaillant afin

qu'elles y soient recyclées. On peut en outre se renseigner auprès d'un centre de recyclage local pour connaître d'autres sites les acceptant. SRPRC[®] est une marque déposée de l'Appel à Recycler Canada, Inc.

Cet appareil numérique de la classe B est conforme à la norme NMB-003 du Canada.

Cet appareil est conforme aux dispositions du paragraphe 15 des règlements de la FCC. Son fonctionnement est régi par les deux conditions suivantes : (1) Cet appareil ne peut pas causer d'interférence nuisible et (2) cet appareil doit accepter toutes les interférences reçues, y compris celles qui risquent d'en gêner le fonctionnement.

REMARQUE : ce matériel a été testé et a été déclaré conforme aux limites en vigueur concernant les dispositifs numériques de classe B, en vertu de la partie 15 de la réglementation FCC. Ces limites visent à assurer une protection raisonnable contre tout brouillage nuisible dans une installation résidentielle. Ce matériel produit, consomme et peut émettre une énergie de radiofréquence et, s'il n'est pas installé et utilisé conformément aux directives qui l'accompagnent, il peut entraîner un brouillage nuisible des communications radio. Cependant, nous ne garantissons pas l'absence de brouillage dans tous les types d'environnement. Si, après avoir effectué une vérification en mettant l'appareil hors tension puis sous tension, l'utilisateur s'aperçoit que ce matériel provoque un brouillage nuisible à la réception des signaux de radio ou de télévision, il lui faudra essayer de corriger ce brouillage en prenant une ou plusieurs des mesures ci-dessous :

- Réorienter ou repositionner l'antenne de réception.
- Éloigner le plus possible le matériel du récepteur.
- Brancher le matériel dans une prise électrique située sur un circuit différent de celui du récepteur.
- Consulter le distributeur ou un technicien radio/télévision expérimenté pour obtenir de l'aide.

Tout changement ou toute modification à cet appareil qui n'est pas expressément approuvé par l'institution responsable de la conformité peut faire annuler le droit de l'utilisateur d'utiliser ce matériel. Cet appareil numérique de la classe B est conforme à la norme NMB-003 du Canada.

GARANTIE LIMITÉE DE DEUX ANS

Black & Decker (É.-U.) Inc. garantit que le produit est exempt de défauts de matériau et de fabrication pendant deux(2) ans à partir de la date d'achat, à condition que le produit soit utilisé en milieu domestique. La présente garantie limitée ne couvre pas les défaillances provoquées par un abus, un dommage accidentel ou des réparations ou tentatives de réparations effectuées par toute autre personne que le personnel de BLACK+DECKER et de ses centres de réparation agréés. Un produit défectueux qui remplit les conditions stipulées par la présente garantie sera remplacé ou réparé sans frais d'une des deux façons suivantes :

La première façon consiste en un échange chez le détaillant où le produit a été acheté (à la condition que le magasin soit un détaillant participant). Tout retour doit se faire durant la période correspondant à la politique d'échange du détaillant. Une preuve d'achat peut être requise. Prière de vérifier la politique de retour du détaillant au sujet des délais impartis pour les retours ou les échanges.

La deuxième option est d'apporter ou d'envoyer le produit (en port payé) à un centre de réparation agréé ou à un centre de réparation BLACK+DECKER pour faire réparer ou échanger le produit, à la discrétion de BLACK+DECKER. Une preuve d'achat peut être requise. Les centres de réparation de BLACK+DECKER et les centres de réparation ou en ligne sur www.blackanddecker.com.

Cette garantie ne s'applique pas aux accessoires. Cette garantie accorde des droits légaux propres au propriétaire de l'outil. Ce dernier pourrait avoir d'autres droits selon l'État ou la province qu'il habite. Pour toute question, communiquer avec le directeur du centre de réparation BLACK+DECKER le plus près. Ce produit n'est pas destiné à un usage commercial. L'usage commercial de ce produit annule par conséquent cette garantie. Toutes autres garanties, expresses ou implicites, sont déclinées par la présente.

Imported by / Importé par
Black & Decker Canada Inc.
100 Central Ave., Brockville (Ontario) K6V 5W6

BLACK+ DECKER

MANUAL DE
INSTRUCCIONES

ASPIRADORA INALÁMBRICA CON MINIDEPÓSITO

CATÁLOGO N°
BDH2020FL, BDH2020FLFH

LEA EL MANUAL ANTES DE DEVOLVER ESTE PRODUCTO POR CUALQUIER MOTIVO:

Si tiene una consulta o algún inconveniente con su producto BLACK+DECKER, visite <http://www.blackanddecker.com/instantanswers> para obtener respuestas instantáneas las 24 horas del día.

Si no encuentra la respuesta o no tiene acceso a Internet, llame al 1-800-544-6986 de lunes a viernes de 8 a. m. a 5 p. m. hora del Este para hablar con un agente. Cuando llame, tenga a mano el número de catálogo.

Para comprar un filtro de repuesto llame al 1-888-678-7278.

**CONSERVE ESTE MANUAL PARA FUTURAS CONSULTAS.
SÓLO PARA USO DOMÉSTICO.**

Gracias por elegir BLACK+DECKER!

Visite www.BlackandDecker.com/NewOwner para registrar su nuevo producto.

PAUTAS DE SEGURIDAD/DEFINICIONES

Es importante que lea y comprenda este manual. La información que contiene se relaciona con la protección de SU SEGURIDAD y la PREVENCIÓN DE PROBLEMAS. Los símbolos que siguen se utilizan para ayudarlo a reconocer esta información.

⚠ **PELIGRO:** indica una situación de peligro inminente que, si no se evita, provocará la muerte o lesiones graves.

⚠ **ADVERTENCIA:** indica una situación de peligro potencial que, si no se evita, provocará la muerte o lesiones graves.

⚠ **PRECAUCIÓN:** indica una situación de peligro potencial que, si no se evita, provocará lesiones leves o moderadas.

PRECAUCIÓN: utilizado sin el símbolo de alerta de seguridad indica una situación de peligro potencial que, si no se evita, puede provocar daños en la propiedad.

INSTRUCCIONES DE SEGURIDAD IMPORTANTES

Al utilizar aparatos eléctricos, siempre deben seguirse algunas precauciones básicas, entre las que se incluyen:

LEA TODAS LAS INSTRUCCIONES ANTES DE UTILIZAR ESTE APARATO.

⚠️ ADVERTENCIA: Lea todas las advertencias de seguridad y todas las instrucciones. El incumplimiento de cualquiera de las advertencias e instrucciones indicadas a continuación puede provocar una descarga eléctrica, un incendio y/o lesiones graves.

⚠️ ADVERTENCIA: Este producto contiene químicos conocidos (en el Estado de California) como causantes de cáncer, defectos de nacimiento u otros daños del aparato reproductivo. **LÁVESE LAS MANOS DESPUÉS DE UTILIZARLO.**

⚠️ ADVERTENCIA: Algunos tipos de polvo doméstico contienen sustancias químicas, como el asbesto y el plomo de las pinturas a base plomo, reconocidas por el Estado de California como causantes de cáncer, defectos de nacimiento u otros problemas reproductivos.

⚠️ ADVERTENCIA: Para disminuir el riesgo de incendio, descarga eléctrica o lesiones:

⚠️ ADVERTENCIA: Para reducir el riesgo de descarga eléctrica, no utilice la unidad al aire libre ni sobre superficies mojadas.

- No permita que se utilice como juguete. Debe prestar especial atención cuando los niños la utilicen o al utilizarla cerca de ellos.
- Utilícela únicamente como se describe en este manual. Utilice únicamente aditamentos recomendados por el fabricante.
- No utilice la unidad con el cable o el enchufe dañados. Si el aparato no funciona como corresponde, se ha caído, dañado, dejado al aire libre o sumergido en agua, devuélvalo a un centro de mantenimiento.
- No arrastre ni transporte la unidad por el cable, no utilice el cable como un mango, no cierre una puerta sobre el cable ni tire de este cerca de bordes o esquinas filosos. No pase sobre el cable con el aparato funcionando. Mantenga el cable alejado de superficies calientes.
- No desenchufe la unidad tirando del cable. Para desenchufarla, sujete el enchufe, no el cable.
- No manipule el enchufe con las manos mojadas.
- No inserte ningún objeto en los orificios de la unidad. No la utilice si alguno de los orificios está bloqueado, manténgala libre de polvo, pelusas, pelos y cualquier cosa que pueda reducir el flujo de aire.
- Mantenga el cabello, las ropas holgadas, los dedos y todas las partes del cuerpo alejados de los orificios y de las piezas en movimiento.
- Tenga mucho cuidado al limpiar en escaleras.
- No utilice la unidad para recoger líquidos inflamables o combustibles, como gasolina, ni la utilice en áreas en las que estas sustancias puedan estar presentes.
- No recoja ninguna cosa que esté quemándose o humeante, como cigarrillos, fósforos o cenizas calientes.
- No utilice la unidad sin la bolsa para polvo y/o los filtros en su lugar.
- Este aparato está diseñado para uso doméstico solamente y no para uso comercial o industrial.
- Peligro de descarga eléctrica. Para protegerse contra el riesgo de descarga eléctrica, no ponga la unidad en agua u otro líquido.
- No permita que el cable cuelgue sobre el borde de una mesa o mostrador, o toque superficies calientes. La unidad debe colocarse o montarse lejos de fregaderos y superficies calientes.
- Enchufe la unidad directamente en un tomacorriente.
- Enchufe la unidad solo en un tomacorriente estándar de automóvil.
- Desenchufe la unidad del tomacorriente antes de realizar una limpieza o mantenimiento de rutina.
- No mire por los orificios de ventilación mientras la unidad esté encendida, ya que a veces existe la posibilidad de que pequeños residuos salgan disparados por

dichos orificios, especialmente después de limpiar/reemplazar los filtros, ya que los residuos dentro de la unidad pueden desplazarse.

ADVERTENCIAS DE SEGURIDAD ADICIONALES

- a) **Evite la puesta en marcha involuntaria. Asegúrese de que el interruptor esté en posición de apagado antes de conectar con la batería, de levantar o transportar el aparato.** El transportar el aparato con el dedo puesto en el interruptor o enchufar el aparato con el interruptor encendido puede provocar accidentes.
- b) **Recárguese sólo con el cargador especificado por el fabricante.** Un cargador que sea adecuado para un tipo de batería puede ocasionar un riesgo de incendio si se utiliza con otra batería.
- c) **En condiciones de abuso, el líquido puede salirse de la batería; evite el contacto. Si se produce un contacto de forma accidental, enjuague con agua. Si el líquido entra en contacto con los ojos, busque atención médica.** El líquido que sale de la batería puede causar irritación o quemaduras.
- d) **No utilice una batería o aparato que esté dañado o modificado.** Las baterías dañadas o modificadas pueden funcionar de forma imprevisible y ocasionar un incendio, explosión o riesgo de lesión.
- e) **No exponga una batería o aparato al fuego ni a una temperatura excesiva.** La exposición al fuego o a una temperatura superior a los 130°C (266°F) puede ocasionar una explosión.
- f) **La reparación debe realizarse por una persona calificada para realizar reparaciones que use solamente repuestos idénticos.** Así se asegurará que se mantenga la seguridad del producto.

⚠ ADVERTENCIA: No intente modificar o reparar el aparato.

SÍMBOLOS

- La etiqueta de su herramienta puede incluir los siguientes símbolos. Los símbolos y sus definiciones son los siguientes:

V.....	voltios	A.....	amperios
Hz.....	hertz	W.....	vatios
min.....	minutos	~ o AC.....	corriente alterna
== o DC.....	corriente directa	n _o	no velocidad sin carga
ⓘ.....	Construcción Clase I (mis à la terre)	⊖.....	terminal a tierra
□.....	Construcción de clase II	⚠.....	simbolo de alerta
RPM o .../min.....	revoluciones o minuto seguridad		
Wh.....	Watt Horas		

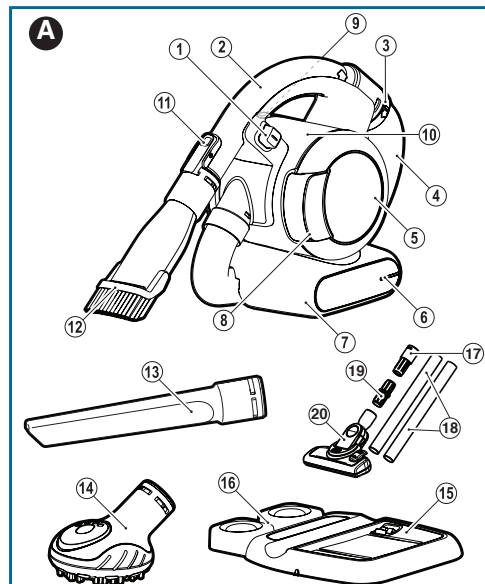
CONSERVE ESTE MANUAL

CARACTERÍSTICAS DEL PRODUCTO

1. Interruptor de encendido/apagado
2. Mango desmontable
3. Anillo de bloqueo
4. Manguera
5. Puerta del depósito para polvo
6. Indicador LED de carga
7. Compartimiento de la batería
8. Seguro de la puerta
9. Botón de liberación del depósito
10. Depósito desmontable
11. Sujetador para accesorios
12. Accesorio de boquilla 2 en 1
13. Herramienta para ranuras
14. Herramienta para pelos de mascotas (BDH2020FLFH, BDH2020FL)
15. Base de carga
16. Soporte para almacenamiento de accesorios

SOLO BDH2020FLFH:

17. Adaptador del cabezal para pisos
18. Extensiones del cabezal para pisos
19. Conector de extensión
20. Cabezal para pisos



Ensamblaje

SOPORTE PARA ALMACENAMIENTO DE ACCESORIOS

Ajustar soportes de almacenamiento de accesorios (16) sobre el lado de la base de carga (15), de manera que todo el conjunto aparece como se muestra en la **Figura A**. Esto permite un almacenamiento conveniente de todos los accesorios.

MONTAJE DE ACCESORIOS (FIGURAS B - D)

La boquilla/cepillo 2 en 1 (12) tiene un cepillo que puede plegarse hacia adelante para sacudir el polvo y limpiar tapizados.

El accesorio para limpiar pelos de mascotas (14) (BDH2020FLFH, BDH2020FL) debe utilizarse al aspirar pelos de mascotas o desechos alojados en superficies alfombradas o tapizadas.

⚠ ADVERTENCIA: Puede provocar lesiones a las mascotas. No utilice el accesorio para limpiar pelos de mascotas directamente sobre los animales.

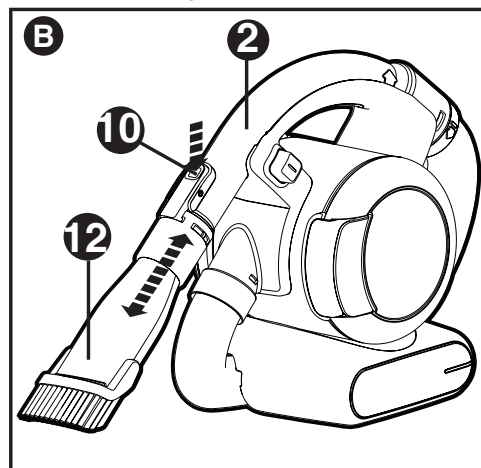
La herramienta para ranuras (11) permite aspirar en lugares estrechos y de difícil acceso.

- Para colocar un accesorio (11), oprima el sujetador de accesorios (10) y deslice el accesorio en el mango (2).
- Para retirar un accesorio, oprima el sujetador de accesorios (10) y retire el accesorio.

Para desenrollar y extender el mango y la manguera:

El mango y la manguera pueden desenrollarse del aparato principal para lograr un mayor alcance durante la limpieza. Sujete el mango en el lugar indicado por las flechas y levántelo. Desenrolle el mango y la manguera del aparato principal. La manguera se puede extender hasta un máximo de 1,2 m (4 pies) aproximadamente.

Para volver a colocar el mango y la manguera en el aparato principal, enrosque la manguera nuevamente debajo y alrededor de la aspiradora, asegurándose de que encaje entre ambas "patas" de la aspiradora.



Alinee el mango con su base y vuelva a encajarlo en su lugar.

El mango (2) puede extraerse de la manguera, lo que permite conectar los accesorios directamente a la boquilla de la manguera (16) cuando se desee.

Para extraer el mango:

- Desenganche el mango (2) del aparato.
- Gire el anillo de bloqueo (3) en el sentido contrario de las agujas del reloj para liberar los sujetadores.
- Extraiga la manguera del mango (2).
- Fije el accesorio directamente a la boquilla de la manguera (16).

Para volver a colocar el mango:

- Retire el accesorio de la manguera.
- Empuje la manguera dentro del mango (2). Gire el anillo de bloqueo (3) en el sentido de las agujas del reloj hasta que encaje en su lugar.

INSTALACIÓN DEL CABEZAL PARA PISOS (FIGURA E) (SOLO BDH1620FLFH, BDH1620FLFHQ, BDH2020FLFH)

Esta aspiradora está equipada con un cabezal para pisos para una limpieza más amplia de pisos.

- Oprima y sostenga el sujetador para accesorios (11).
- Deslice el adaptador del cabezal para pisos (17) sobre el mango (2).
- Conecte las dos extensiones del cabezal para pisos (18), Conector de extensión (19), y el cabezal para pisos (20) en el extremo para el adaptador del cabezal para pisos.

NOTA: El jefe de piso conecta usando fricción apropiado, de modo que no se oirá un clic cuando está montado. Asegúrese de que todas las piezas del ensamblaje del cabezal para pisos estén conectadas firmemente.

INTERRUPTOR SELECTOR PARA ALFOMBRAS/PISOS (FIGURA F)

Escobillas del agitador del cabeza baja se puede utilizar para la luz de limpieza de alfombras y la eliminación de suciedad difíciles sobre suelos duros. Se puede activar presionando el interruptor selector (21) situado en la parte superior del accesorio de cabeza baja.

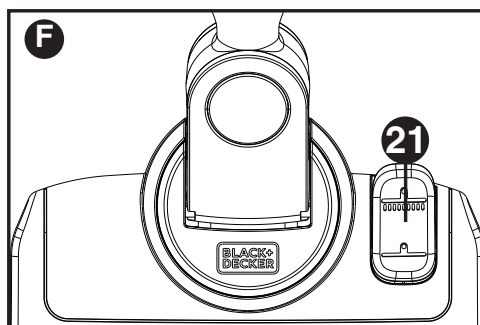
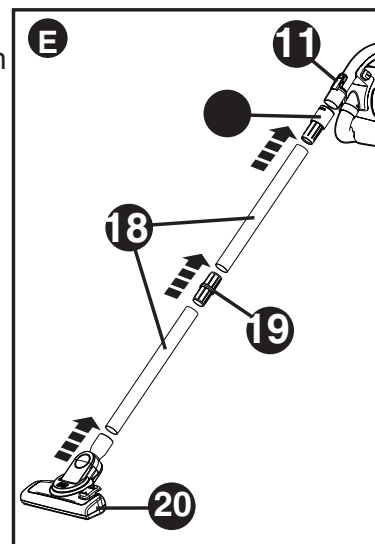
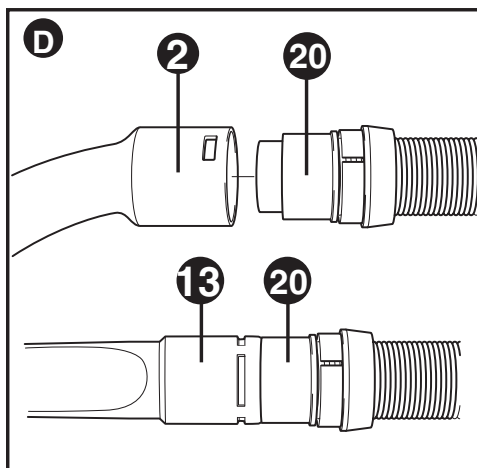
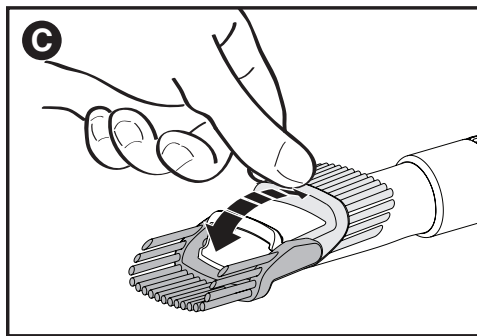
- Para activar el cepillo agitador, oprima el lado del interruptor selector marcado con .
- Para desactivar el cepillo, oprima el lado del interruptor selector marcado con .

FUNCIONAMIENTO

Antes del primer uso, cargue las baterías por lo menos durante 4 horas.

- Conecte el aparato al cargador durante 4 horas como mínimo.
- Cargue las baterías como se describe a continuación.

Es posible que deba cargar/descargar el aparato 5 veces como mínimo para lograr el mejor tiempo de funcionamiento.



CARGA DE LA BATERÍA (FIGURA G)

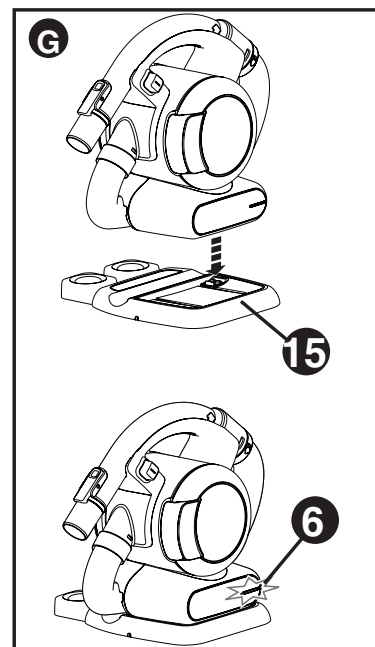
⚠ ADVERTENCIA: Cargue sólo a una temperatura ambiente entre 10 y 40 °C (50 y 104 °F). El cargador suministrado con este producto debe enchufarse de manera que quede correctamente orientado en posición vertical o de montaje en el piso.

Para cargar el aparato:

- Asegúrese de que el aparato esté apagado. La batería no se cargará si el interruptor de encendido/apagado (1) está en la posición de encendido.
- Enchufe la base de carga (15) en un tomacorriente eléctrico estándar de 120 voltios, 60 Hz.
- Coloque el aparato en la base de carga. El indicador LED de carga se iluminará.
- Al completarse la carga, el LED se apagará.

Durante la carga, es posible que el cargador se caliente. Esto es normal y no indica un problema.

Aunque es seguro dejar el aparato conectado al cargador indefinidamente, para reducir el consumo de energía, se recomienda desenchufar el cargador después de 24 horas.



ENCENDIDO Y APAGADO (FIGURA H)

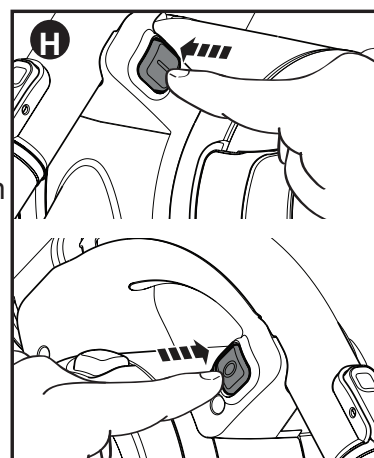
- Para encender el aparato, deslice el interruptor de encendido/apagado (1) hacia la derecha hasta que encaje en la posición de encendido y se escuche un clic.
- Para apagar el aparato, deslice el interruptor de encendido/apagado hacia la izquierda hasta que encaje en la posición de apagado y se escuche un clic.

ASPIRACIÓN

- Al operar el aparato, asegúrese de que la manguera no esté atascada, doblada ni bloqueada.

Dos posiciones de manguera mientras pasa la aspiradora:

1. Puede aspirar con el mango (2) y la manguera (4) enrollados alrededor del aparato principal. Este modo de limpieza es ideal para aspirados rápidos ya que la aspiradora está en su forma más compacta.
2. Puede aspirar con el mango (2) y la manguera (4) desenrollados del aparato principal; esto le permite alcanzar una distancia máxima de aproximadamente 1,2 m (4 pies) con respecto al aparato.
 - Con el mango y la manguera desenrollados, se puede transportar el aparato mediante el mango incorporado en el aparato principal.
 - También se puede extraer el mango de la manguera, de manera tal que puede conectar un accesorio directamente a la boquilla de la manguera (16) cuando lo desee.



Consejos para un uso óptimo

- Al aspirar sobre escaleras, comience siempre en la parte inferior y ascienda.
- Utilice el accesorio para limpiar pelos de mascotas para remover y succionar pelos de mascotas y desechos alojados en superficies alfombradas o tapizadas.
- Para mantener la fuerza de succión optimizada, los filtros deben limpiarse periódicamente durante el uso.

LIMPIEZA Y MANTENIMIENTO

⚠ ADVERTENCIA: No sumerja el aparato en agua en ninguna circunstancia. Para limpiar el exterior del aparato, debe utilizarse un paño húmedo y agua jabonosa. Siempre asegúrese de que el aparato esté completamente seco antes de volver a utilizarlo o almacenarlo.

VACIADO DEL DEPÓSITO DE POLVO (FIGURA I)

El depósito de polvo debe vaciarse en forma periódica, preferentemente después de cada uso.

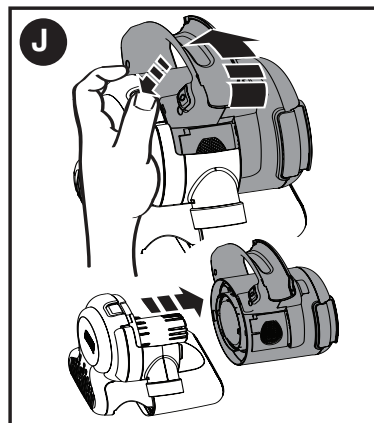
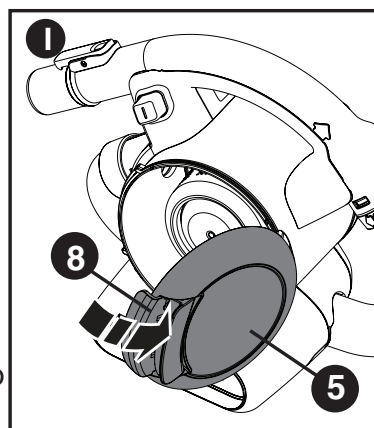
- Hale el pestillo de la puerta (8) y abra la puerta transparente (5) 180 grados.

- Incline la unidad para extraer la suciedad.
- Golpee la parte trasera de la unidad si los residuos no se desprenden con facilidad o retire los filtros para obtener un mejor acceso.

LIMPIEZA DE LOS FILTROS (FIGURA J - L)

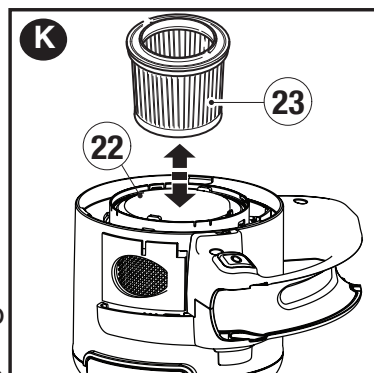
Tanto el prefiltro plástico (22) como el filtro con pliegues (23) son reutilizables y deben limpiarse periódicamente.

- Desenrolle la manguera (4) y el mango (2) de la parte principal del aparato.
- Tire del seguro de la puerta (8) y abra la puerta del depósito para polvo (5).
- Mantenga oprimido el botón de liberación en el lado opuesto del mango de la puerta del depósito para polvo (5).
- Gire el mango hacia la parte posterior del aparato como se muestra en la Figura J.
- Tire del depósito para polvo hacia el lado, lejos de la base del aparato.
- Quite el filtro con pliegues del prefiltro tirando firmemente como se muestra en la Figura K.
- Golpee los filtros con fuerza para eliminar el polvo suelto.
- Si es necesario, lave el filtro (13) en agua jabonosa tibia como se muestra en la Figura L.
- Asegúrese de que el filtro esté seco antes de volver a instalarlo en el aparato.
- Vuelva a instalar el filtro con pliegues en el prefiltro plástico.



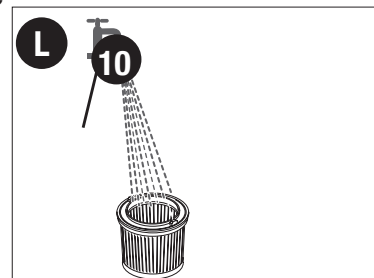
PARA REINSTALAR EL DEPÓSITO PARA POLVO

- Deslice el depósito de vuelta sobre la base y gire el mango hacia la parte delantera del aparato hasta que se escuche un clic. Asegúrese de que el depósito esté completamente asegurado de nuevo sobre la base.
- Cierre la puerta del depósito y asegúrese de que encaje en su lugar y se escuche un clic.



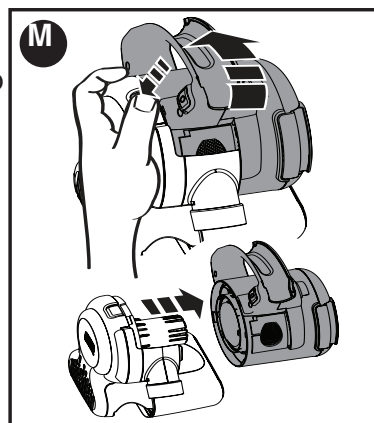
LIMPIEZA DEL DEPÓSITO PARA POLVO (FIGURAS M - N)

- Desenrolle la manguera (4) y el mango (2) de la parte principal del aparato.
- Mantenga oprimido el botón de liberación en el lado opuesto del mango de la puerta del depósito para polvo (5).
- Gire el mango hacia la parte posterior del aparato como se muestra en la Figura M.
- Tire del depósito para polvo hacia el lado, lejos de la base del aparato.
- Quite el prefiltro (22) y el filtro (23) del aparato girando el filtro hacia la derecha y tirando de este para extraerlo del aparato.
- Después de quitar los filtros, limpie el depósito para polvo (10) y el prefiltro (23) con un paño húmedo o enjuáguelo con agua jabonosa tibia y déjelo secar como se muestra en la Figura N.



PARA REINSTALAR EL DEPÓSITO PARA POLVO

- Deslice el depósito de vuelta sobre la base y gire el mango hacia la parte delantera del aparato hasta que se escuche un clic. Asegúrese de que el depósito esté completamente asegurado de nuevo sobre la base.

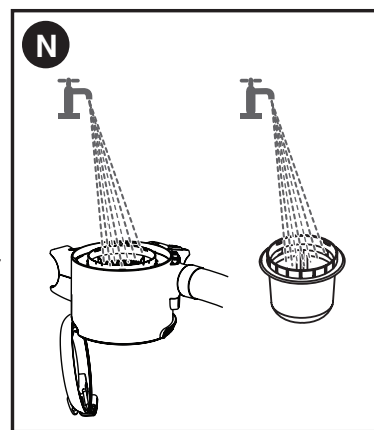


DETECCIÓN DE PROBLEMAS

Si el producto no funciona, verifique lo siguiente:

- Que el cargador se haya enchufado correctamente para realizar la recarga. (Se siente ligeramente caliente al tacto).
- Que el cable del cargador no esté dañado y que esté correctamente conectado al aparato.
- Que el cargador esté enchufado en un tomacorriente

- eléctrico en funcionamiento.
- Que el interruptor del aparato se haya colocado en la posición de apagado para la carga. La batería no se cargará con el interruptor en la posición de “encendido”.
- El filtro está obstruido. Hale el pestillo y abra la puerta del depósito de polvo. Retire el prefiltro y el filtro fino. Cepille los filtros para quitar el polvo restante y lávelos con agua jabonosa tibia. Asegúrese de que los filtros estén secos antes de volver a colocarlos en la aspiradora.



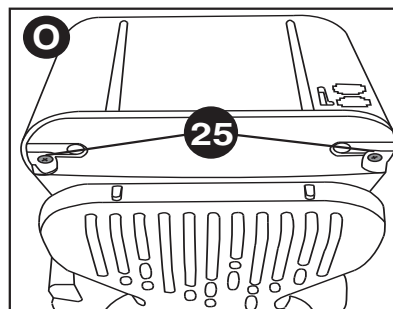
REMOCIÓN Y ELIMINACIÓN DE LA BATERÍA

Este producto utiliza baterías recargables y reciclables Litio Ion. Cuando las baterías ya no mantengan la carga, es necesario retirarlas de la aspiradora y reciclarlas. No se deben incinerar ni someter a un proceso de compostaje.

Para eliminar la batería, puede llevarla a un Centro de mantenimiento BLACK+DECKER propio o autorizado. Algunos comercios minoristas locales participan de un programa nacional de reciclado (ver “Sello RBRCTM”). Llame a su comercio minorista local para obtener más información. Si trae las baterías a un Centro de mantenimiento BLACK+DECKER propio o autorizado, el Centro se ocupará de reciclarlas. O bien, consulte en la municipalidad de su localidad para conocer las instrucciones de desecho adecuadas de su ciudad o localidad.

Para quitar el paquete de baterías para su eliminación:

- 1.) Antes de intentar desensamblar el producto, enciéndalo y déjelo funcionar hasta que el motor se detenga por completo, asegurando así una descarga completa de la batería.
- 2.) Quite el depósito para polvo (10) según lo descrito en la sección “LIMPIEZA DEL DEPÓSITO PARA POLVO”.
- 3.) Ponga el aparato boca abajo para tener acceso a los tornillos que fijan la base.
- 4.) Quite los dos tornillos (25) que se muestran en la Figura L y extraiga el compartimiento de la batería.
- 5.) Desconecte todas las conexiones de los cables desde el paquete de baterías.
- 6.) Quite el paquete de baterías y colóquelo en un empaque adecuado para evitar un cortocircuito de los terminales de la batería.
- 7.) Elimine las baterías según las pautas recomendadas.



MANTENIMIENTO

Utilice únicamente jabón suave y un trapo húmedo para limpiar la aspiradora. Nunca permita que se introduzcan líquidos en ella; nunca sumerja ninguna parte de la aspiradora en un líquido.

⚠ ADVERTENCIA: Asegúrese de que la aspiradora esté completamente seca antes de utilizarla.

IMPORTANTE: Para garantizar la SEGURIDAD y la CONFIABILIDAD del producto, las reparaciones, el mantenimiento y los ajustes (diferentes a los mencionados en este manual) deberán llevarse a cabo en centros de servicio autorizado u otras organizaciones de servicio calificado, que siempre utilicen refacciones idénticas.

INFORMACIÓN DE MANTENIMIENTO

Todos los Centros de servicio de BLACK+DECKER cuentan con personal altamente capacitado dispuesto a brindar a todos los clientes un servicio eficiente y confiable en la reparación de herramientas eléctricas. Si necesita consejo técnico, reparaciones o piezas de repuesto originales de fábrica, póngase en contacto con el centro de servicio de BLACK+DECKER más cercano a su domicilio. Para ubicar su centro de servicio local, llame al **1-800-544-6986** o visite nuestro sitio **www.blackanddecker.com**.

El sello RBRC[®]

El sello RBRC[®] (Rechargeable Battery Recycling Corporation)



en las baterías (unidades de batería) de níquel cadmio, níquel e hidruro metálico o de iones de litio indica que el costo de reciclaje de estas baterías (o unidades de batería) al llegar al final de su vida de servicio ya ha

sido pagado por BLACK+DECKER. En algunas áreas, es ilegal depositar baterías de níquel cadmio, níquel e hidruro metálico o de iones de litio gastadas en la basura o la corriente de residuos sólidos urbanos; el programa Call 2 Recycle[®] proporciona una alternativa ecológica.

Call 2 Recycle, Inc., en cooperación con BLACK+DECKER y otros usuarios de baterías, han establecido programas en los Estados Unidos y Canadá para facilitar la recolección de baterías de níquel cadmio, níquel e hidruro metálico o de iones de litio gastadas. Al llevar sus baterías de níquel cadmio, níquel e hidruro metálico y de iones de litio gastadas a un centro de servicio autorizado por BLACK+DECKER o al minorista local para que sean recicladas, ayuda a proteger el medio ambiente y a conservar recursos naturales. También puede comunicarse con el centro de reciclaje de su localidad para mayor información sobre dónde llevar sus baterías gastadas. RBRC[®] es una marca comercial registrada de Call 2 Recycle, Inc.

Este aparato digital Clase B cumple con la norma canadiense ICES-003.

Este mecanismo cumple con la parte 15 de las normas de la Comisión Federal de Comunicaciones de Estados Unidos (FCC). La operación está sujeta a las dos condiciones siguientes: (1) Este mecanismo posiblemente no cause interferencia perjudicial; y (2) este mecanismo puede aceptar cualquier interferencia recibida, incluso interferencia que podría provocar una operación no deseada.

NOTA: Este equipo ha sido probado y se encontró que cumple con los límites para dispositivo digital Clase B, según la parte 15 de las normas de la FCC. Estos límites están diseñados para brindar protección razonable contra interferencia perjudicial en una instalación residencial. Este equipo genera, usa y puede irradiar energía en frecuencia de radio y, si no se instala y se usa de acuerdo con las instrucciones, puede provocar interferencia perjudicial en las comunicaciones de radio. Sin embargo, no hay garantía de que la interferencia no ocurra en una instalación en particular. Si este equipo provoca interferencia perjudicial en la recepción de radio o televisión, lo que se puede determinar al apagar y encender el equipo, el usuario debe tratar de corregir la interferencia mediante una o más de las siguientes medidas:

- Cambiar la orientación o la ubicación de la antena de recepción.
- Aumentar la separación entre el equipo y el receptor.
- Conectar el equipo a un tomacorriente sobre un circuito diferente de aquel al que está conectado el receptor.
- Consultar al vendedor o pedir la ayuda de un técnico en radio y televisión con experiencia.

Los cambios o las modificaciones que se le realicen a esta unidad sin aprobación expresa del tercero responsable del cumplimiento pueden anular la autorización del usuario para operar el equipo. Este aparato digital de la clase B se conforma con ICES-003 canadiense.

GARANTÍA LIMITADA DE DOS AÑOS

Black & Decker (U.S.) Inc. garantiza que este producto está libre de defectos de material o mano de obra durante un período de dos (2) años desde la fecha de compra, siempre y cuando el producto se utilice en un entorno doméstico. Esta garantía limitada no cubre contra fallas debidas a mal uso, daño accidental o cuando se han realizado o intentado reparaciones por parte de cualquier otra persona ajena a BLACK+DECKER y sus centros de mantenimiento autorizados. Un producto defectuoso que cumple con las condiciones de la garantía establecidas en el presente documento será reemplazado o reparado sin costo de una dos maneras: La primera, que únicamente dará lugar a intercambios, consiste en devolver el producto al comerciante minorista donde fue comprado (siempre y cuando la tienda sea un comerciante minorista participante). Las devoluciones deben realizarse dentro del período establecido en la política para intercambios del comerciante minorista. Es posible que se requiera el comprobante de compra. Consulte al comerciante minorista sobre su política específica de devoluciones con respecto a los límites de tiempo para devoluciones o intercambios. La segunda opción es llevar o enviar (pagado por adelantado) el producto a un centro de mantenimiento de propiedad o con autorización de BLACK+DECKER para su reparación o reemplazo a discreción de BLACK+DECKER. Es posible que se requiera un comprobante de compra. Los centros de mantenimiento de propiedad o con autorización de BLACK+DECKER en línea en www.blackanddecker.com. Esta garantía no se aplica a los accesorios. Esta garantía le otorga derechos legales específicos y es posible que tenga otros derechos que varían de un estado a otro. En caso de que tenga alguna pregunta, comuníquese con el gerente del centro de mantenimiento de BLACK+DECKER más cercano a usted. Este producto no está diseñado para uso comercial y, en consecuencia, dicho uso comercial de este producto anulará la garantía. Por medio del presente documento, se declina la responsabilidad de todas las demás garantías, explícitas o implícitas.

AMÉRICA LATINA: Esta garantía no se aplica a productos vendidos en América Latina. Para los productos que se venden en América Latina, consulte la información de garantía específica del país contenida en el empaque, llame a la compañía local o visite el sitio web para obtener dicha información.

**· GARANTÍA BLACK+DECKER · BLACK+DECKER WARRANTY
· SOLAMENTE PARA PROPOSITOS DE MEXICO**

Distributor Name · *Sello firma del distribuidor*

Date of purchase · *Fecha de compra*

Invoice No. · No. de factura

PRODUCT INFORMATION · IDENTIFICACIÓN DEL PRODUCTO

Cat. No. · *Catalogo ó Modelo*

Serial Number · No. de serie

Name · *Nombre*

Last Name · Apellido

Address · *Dirección*

City · *Ciudad*

State · Estado

Postal Code · *Código Postal*

Country · País

Telephone · *No. Teléfono*

2 AÑOS DE GARANTIA

Este producto cuenta con dos años de garantía a partir de la fecha de compra contra cualquier defecto de su funcionamiento, así como cualquier falla debido a materiales empleados para su fabricación ó mano de obra defectuosa.

Nuestra garantía incluye la reparación o reposición del producto y/o componentes sin cargo alguno para el cliente incluyendo la mano de obra, esta incluye los gastos de trasportación erogados para lograr cumplimiento de esta garantía en los domicilios diversos señalados.

Para hacer efectiva esta garantía deberá presentar su herramienta y esta póliza sellada por el establecimiento comercial donde se adquirió el producto.

Nos comprometemos a entregar el producto en un lapso no mayor a 30 días hábiles contados a partir de la fecha de recepción del mismo en nuestros talleres de servicio autorizados.

ESTA GARANTIA NO APLICA CUANDO:

El producto se hubiese utilizado en condiciones distintas a las normales.

El producto no hubiese sido operado de acuerdo con el instructivo de uso que se acompaña.

El producto hubiese sido alterado o reparado por personas no autorizadas por nosotros.

Importador: Black & Decker S.A. de .C.V
Bosque de Cidros Acceso Radiatas No.42
3ra.Seccion de Bosques de las lomas
C.P.05120, Mexico, D.F. Tel: (01 55) 5326 7100

SOLAMENTE PARA PROPOSITOS DE MEXICO

Grupo Realsa en herramientas, S.A. de C.V.

Súper Manzana 69 MZ.01 Lote 30
(Av. Torcasita)
Col. Puerto Juárez
Cancún, Quintana Roo
Tel. 01 998 884 72 27

Ferre Pat de Puebla, S.A. de C.V.

16 de Septiembre No. 6149
Col. El Cerrito
Puebla, Puebla
Tel. 01 222 264 12 12

Ferre Pat de Puebla, S.A. de C.V.

Ejército Mexicano No. 15
Col. Ejido 1ro. de Mayo
Boca del Rio, Veracruz
Tel. 01 229 167 89 89

Servicio de Fabrica BLACK+DECKER, S.A. de C.V.

Lázaro Cardenas No. 18
Col. Obrera
Distrito Federal
Tel. 55 88 95 02

Representaciones Industriales Robles, S.A. de C.V.

Tezozomoc No. 89
Col. La Preciosa
Distrito Federal
Tel. 55 61 86 82

Gpo. Comercial de Htas. y Refacciones de Occidente, S.A. de C.V.

Av. La Paz No. 1779
Col. Americana, S. Juárez
Guadalajara, Jalisco
Tel. 01 33 38 25 69 78

Herramientas y Equipos Profesionales

Av. Colón 2915 Ote.
Col. Francisco I. Madero
Monterrey, Nvo. León
Tel. 01 81 83 54 60 06

Htas. Portátiles de Chihuahua, S.A. de C.V.

Av. Universidad No. 2903
Col. Fracc. Universidad
Chihuahua, Chihuahua
Tel. 01 614 413 64 04

Fernando González Armenta

Bolivia No. 605
Col. Felipe Carrillo Puerto
Cd. Madero, Tampico
Tel. 01 833 221 34 50

Perfiles y Herramientas de Morelia

Gertrudis Bocanegra No. 898
Col. Ventura Puente
Morelia, Michoacán
Tel. 01 443 313 85 50

Enrique Robles

Av. de la Solidaridad No. 12713
Col. La Pradera
Irapuato, Guanajuato
Tel. 01 462 626 67 39

Hernández Martinez Jeanette

Prolongación Corregidora Nte. No. 1104
Col. Arboledas
Queretaro, Qro.
Tel. 01 442 245 25 80

PARA OTRAS LOCALIDADES LLAME AL 01 800 847 2309 o 01 800 847 2312.

BLACK & DECKER S.A. DE C.V.
BOSQUES DE CIDROS ACCESO RADIATAS NO. 42
COL. BOSQUES DE LAS LOMAS.
05120 MÉXICO, D.F
TEL. (01 55) 5326 7100
01 800 847 2309/01 800 847 2312

Cat. No. BDH2020FLFH, BDH2020FL

May 2017

Copyright© 2017 BLACK+DECKER

Form No. N513703

Printed in China