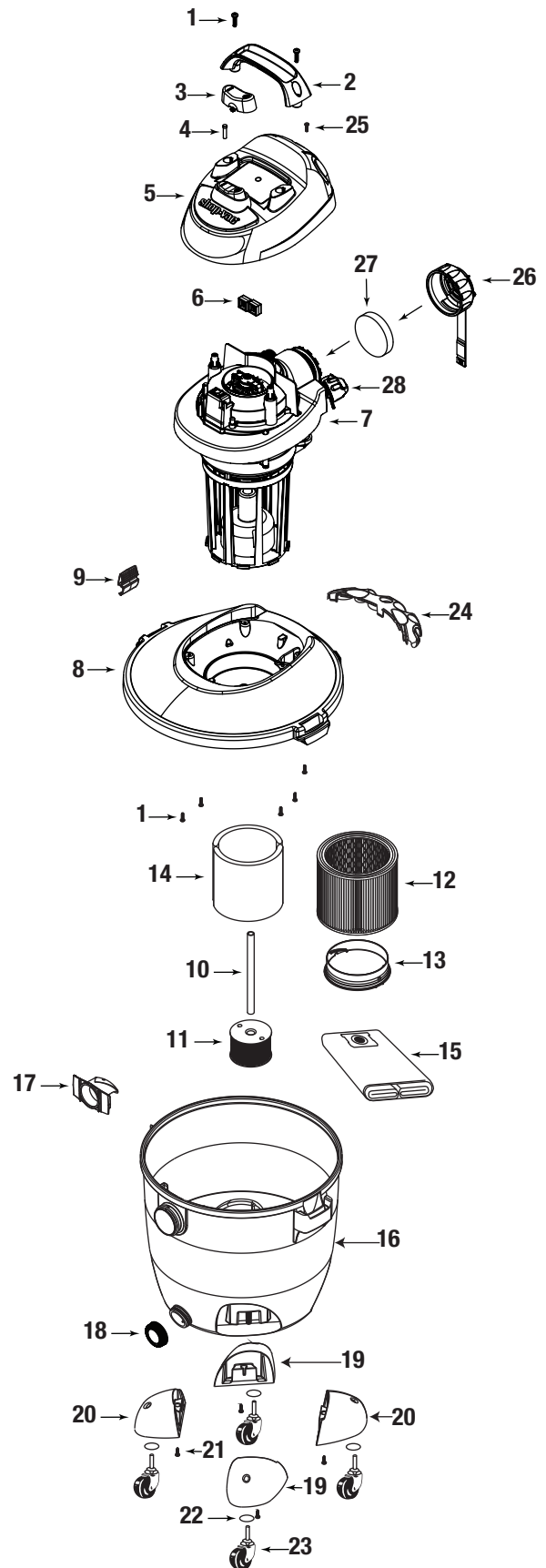


shop·vac[®]

Mod. SSP16-600C

SSP16 SERIES



ITEM	DESCRIPTION	PART NO.
1	Screw #10 x 3/4" Trilobe, Twin Lead	1517699
2	Handle	3756151
3	Switch Rocker	8230421
4	Switch Rocker Actuator	2431215
5	Motor Cover	2433791
6	Switch Rocker Extension	7414254
7	Power Unit Assembly	8310297
8	Lid Cage	3188160
9	Lid Latch	7444500
10	Pick Up Tube	2723104
11	Pick Up Cage Assembly	7412250
12	Cartridge Filter	90304
13	Filter Retainer	3008000
14	Foam Sleeve	90585
15	Disposable Filter Bag	90662
16	Tank Assembly	1094897
17	Inlet Deflector	7413120
18	Drain Cover	7446800
19	Caster Foot A	8568006
20	Caster Foot B	8568016
21	Screw 10 x 3/4" SL HX Head	1503999
22	Flat Washer	0704399
23	Caster	6773900
24	Accessory Holder	8412000
25	Screw KA40 x 15mm	2783205
26	Blower Port Cap (Includes 27)	1945188
27	Foam Diffuser	1290530
28	Outlet Fitting Cap	1945023

*Replacement parts may differ from original equipment.