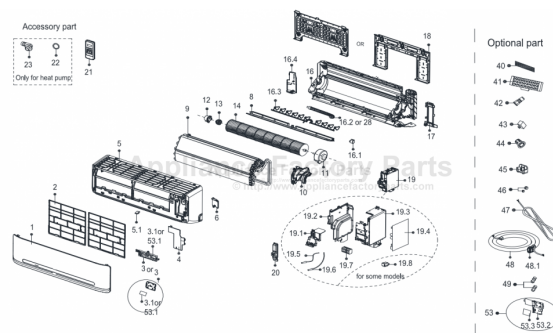


This Owner's Manual is provided and hosted by [Appliance Factory Parts](http://ApplianceFactoryParts.com).



COMFORT-AIRE B-DVH12SG-1 Owner's Manual

[Shop genuine replacement parts for COMFORT-AIRE
B-DVH12SG-1](#)



[Find Your COMFORT-AIRE HVAC Parts - Select From 1486 Models](#)

----- Manual continues below -----

Comfort-Aire®

Century®

MARS®
Delivering Confidence

REPLACEMENT PARTS LIST

**Single Zone Inverter Mini-Split
Indoor Air Handler**

B-DVH12SG-1

REPLACEMENT PARTS

| Location | Part Name | Quantity | Part No. |
|----------|--|----------|----------------|
| 1 | Panel assembly | 1 | 12122000A75690 |
| 2 | Filter filter subassembly | 2 | 12100204000522 |
| 4 | Cover of electrical equipment | 1 | 12122000006755 |
| 5 | Panel frame assembly | 1 | 12122000001726 |
| 5.1 | Screw Cap | 1 | 12122000009477 |
| 6 | Front cover of chassis(right) | 1 | 12122000004587 |
| 8 | Horizontal louver assembly | 1 | 12122000005815 |
| 9 | Evaporator assembly | 1 | 15822000008189 |
| 10 | Fan motor cover | 1 | 12122000005540 |
| 11 | Brushless DC Motor | 1 | 11002015000051 |
| 12 | Bearing holder | 1 | 12122000000350 |
| 13 | Bearing base | 1 | 12622000000006 |
| 14 | Cross flow fan | 1 | 12100102000044 |
| 16 | Chassis assembly | 1 | 12122000011818 |
| 16.1 | Stepper motor | 1 | 11002010000143 |
| 16.3 | Vertical vane subassembly | 1 | 12122000000038 |
| 16.4 | Front cover of chassis(left) | 1 | 12122000010098 |
| 17 | pipe clamp board | 1 | 12122000012943 |
| 18 | Installation plate | 1 | 12222000A00811 |
| 19 | Electronic control box subassembly (Mid-and low-end) | 1 | 17222000028160 |
| 19.1 | Electronic control box | 1 | 12122000004577 |
| 19.2 | Left cover of electronic control box | 1 | 12122000004639 |
| 19.3 | Right cover of electronic control box | 1 | 12122000004632 |
| 19.4 | Main control board subassembly | 1 | 17122000044667 |
| 19.5 | Room temperature sensor | 1 | 11201007003424 |
| 19.6 | Pipe Temperature Sensor | 1 | 11201007003447 |
| 19.7 | Terminal | 1 | 17400401000006 |
| 20 | Cover of electronic control box | 1 | 12122000005020 |
| 21 | Remote controller | 1 | 17317000A51872 |
| 22 | seal ring | 1 | 12600701000039 |
| 23 | Drain hose | 1 | 12100509000061 |
| 28 | Drain hose | 1 | 12100501000032 |
| 40 | Air freshening filter | 2 | 12100206000056 |
| 42 | Check valve | 1 | 15500209000001 |
| 45 | Bracket of remote Controller | 1 | 12122000027147 |
| 46 | Copper nut | 1 | 15500406000016 |
| 46 | Copper nut | 1 | 15500406000012 |
| 53 | Display box subassembly | 1 | 17222000A07041 |
| 53.1 | Display board subassembly | 1 | 17122000A07845 |
| 53.2 | Display box | 1 | 12122000A03192 |

Due to ongoing product improvements, specifications and dimensions are subject to change and correction without notice or incurring obligations. Determining the application and suitability for use of any product is the responsibility of the installer. Additionally, the installer is responsible for verifying dimensional data on the actual product prior to beginning any installation preparations.

Incentive and rebate programs have precise requirements as to product performance and certification. All products meet applicable regulations in effect on date of manufacture; however, certifications are not necessarily granted for the life of a product. Therefore, it is the responsibility of the applicant to determine whether a specific model qualifies for these incentive/rebate programs.

Comfort-Aire®  **Century**®

1900 Wellworth Ave., Jackson, MI 49203 • Ph. 517-787-2100 • www.marsdelivers.com

