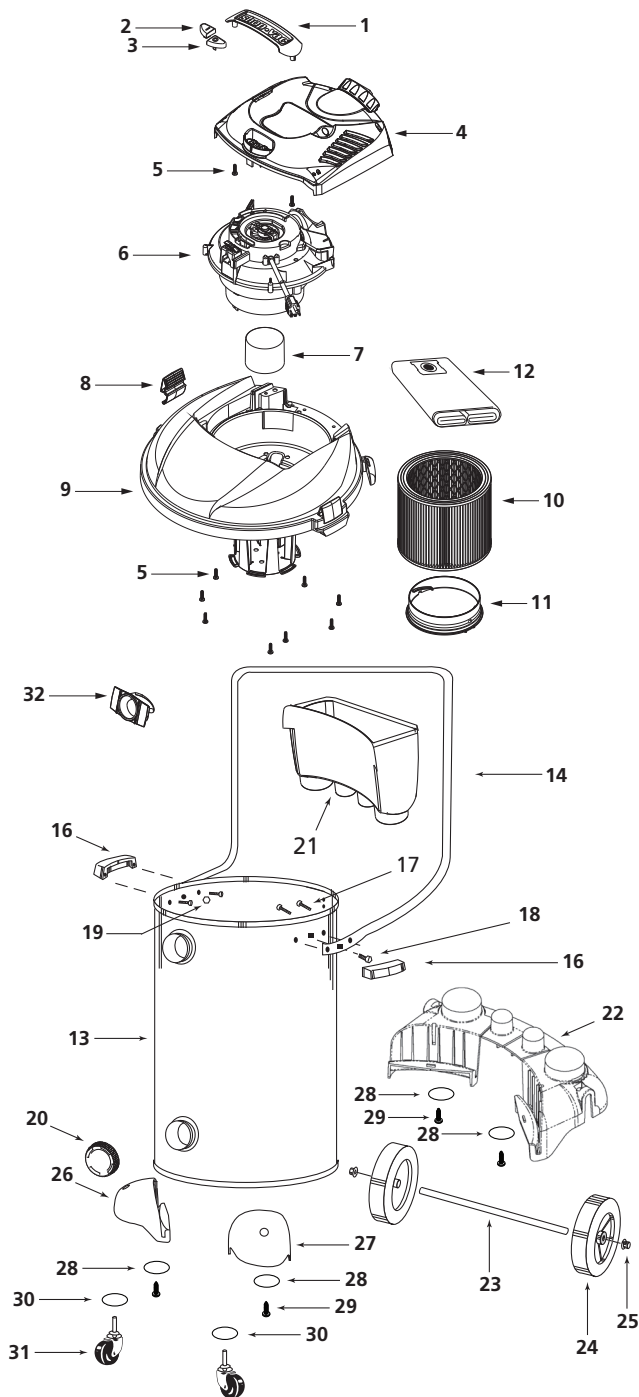


87L Series

Model 87L650C



ITEM	DESCRIPTION	PART NO.
1	Handle	3751000
2	Switch Button - I	7414200
3	Switch Button - O	7414210
4	Motor Cover Assembly	1944113
5	Screw 10 x 3/4" Trilobe, Twin Lead	1517699
6	Power Unit Assembly	8135597
7	Float	3545000
8	Lid Latch	7444500
9	Lid Cage and Latch Assembly	1945057
10	Cartridge Filter	90350
11	Filter Retainer	3008000
12	High Efficiency Disposable Filter Bag	90673
13	Tank Assembly	5165297
14	Carriage Handle	2088100
15	Handle & Hardware Package (Includes 16-19)	9355596
16	Side Tank Handle	9355100
17	#10 x 3/4" Screw Hex Head	1503999
18	Bolt 1/4" - 20 x 1/2"	6401299
19	1/4" - Hex Nut	1300199
20	Drain Cap	7446800
21	Accessory Basket	7415111
22	Rear Wheel Dolly	3487500
23	Axle	2442400
24	8" Wheel	2425010
25	Cap Nut	4300299
26	Casterfoot A	8568100
27	Casterfoot B	8568110
28	Washer	2781018
29	Screw #10 x 1" SL Hex Head	1509699
30	Washer	0704399
31	Caster	6773900
32	Inlet Deflector	7413120

* Replacement parts may differ from original equipment.