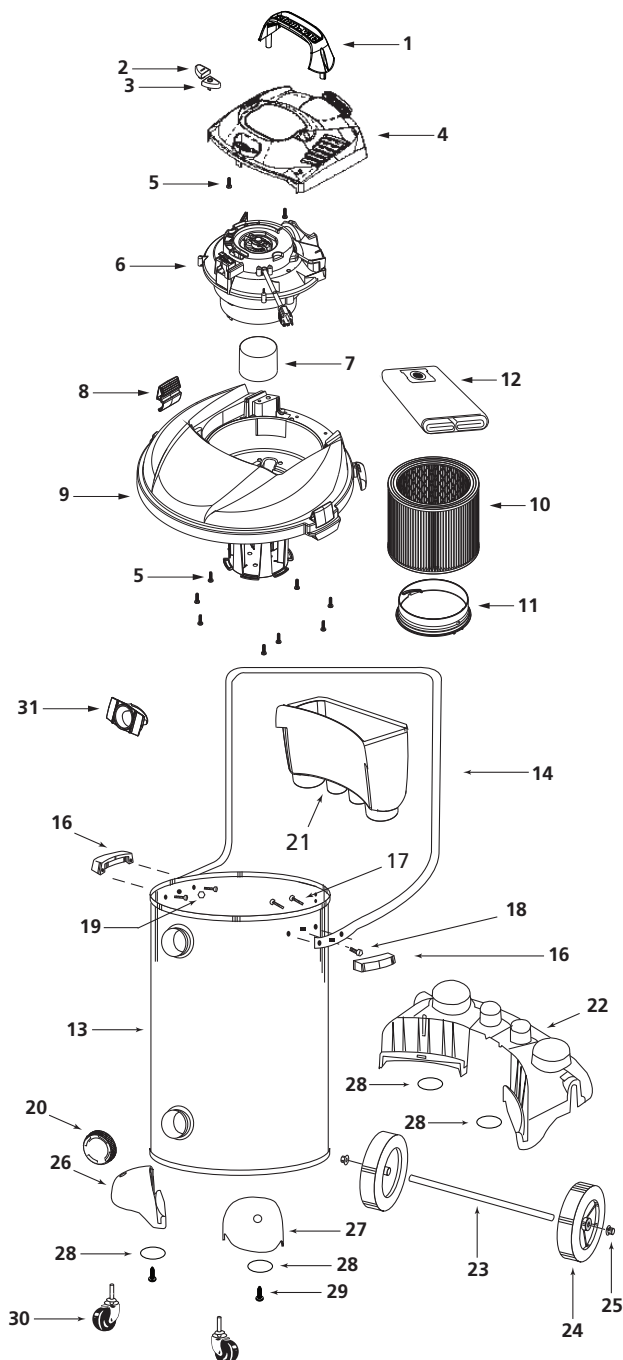


87MT Series

Model 87MT650C



ITEM	DESCRIPTION	PART NO.
1	Handle	3756000
2	Switch Button - I	7414200
3	Switch Button - O	7414210
4	Motor Cover Assembly	3748827
5	Screw 10 x 3/4" Trilobe, Twin Lead	1517699
6	Power Unit Assembly	8136197
7	Float	3545000
8	Lid Latch	7444500
9	Lid Cage and Latch Assembly	1945056
10	Cartridge Filter	90350
11	Filter Retainer	3008000
12	Disposable Filter Bag	90672
13	Tank Assembly	5121597
14	Carriage Handle	2088220
15	Handle & Hardware Package (Includes 16-19)	9355596
16	Side Tank Handle	9355100
17	#10 x 3/4" Screw Hex Head	1503999
18	Bolt 1/4" - 20 x 1/2"	6401299
19	1/4" - Hex Nut	1300199
20	Drain Cap	7446800
21	Accessory Basket	7415111
22	Rear Wheel Dolly	3487500
23	Axle	2442400
24	8" Wheel	2425010
25	Cap Nut	4300299
26	Casterfoot A	8568101
27	Casterfoot B	8568111
28	Washer	2781018
29	Screw #10 x 1" SL Hex Head	1509699
30	Caster	6772200
31	Inlet Deflector	7413120

* Replacement parts may differ from original equipment.