

This Owner's Manual is provided and hosted by [Appliance Factory Parts](#).



# Shop Vac K250 Owner's Manual

[Shop genuine replacement parts for Shop Vac K250](#)



[Find Your Shop Vac Vacuum Cleaner Parts - Select From 498 Models](#)

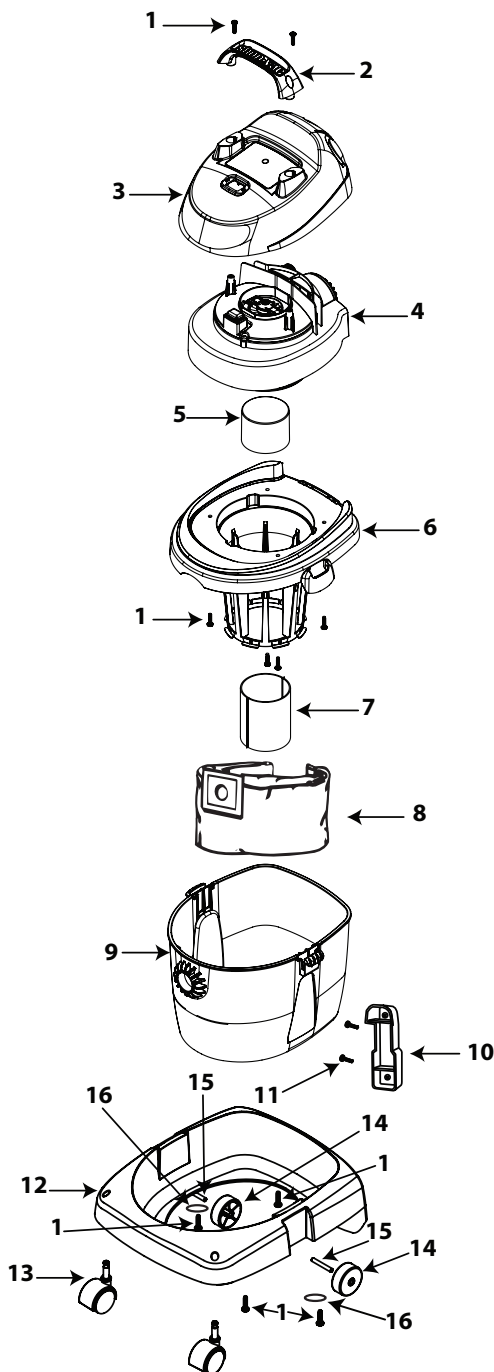
----- Manual continues below part list -----

## Available Replacement Parts for Shop Vac K250

|                          |                                |
|--------------------------|--------------------------------|
| <a href="#">9056400</a>  | HOSE                           |
| <a href="#">6774200</a>  | Caster, each [READ ADD'L INFO] |
| <a href="#">9066800</a>  | COLLECTION FILTER BAG. 3 PACK  |
| <a href="#">SVR-1800</a> | Filter, Foam Sleeve            |
| <a href="#">3545000</a>  | Cup Float.                     |
| <a href="#">1517699</a>  | Screw.                         |

# K Series

# Model K250



| ITEM | DESCRIPTION                        | PART NO. |
|------|------------------------------------|----------|
| 1    | Screw 10 X 3/4" Trilobe, Twin Lead | 1516599  |
| 2    | Handle                             | 4510800  |
| 3    | Motor Cover                        | 1944744  |
| 4    | Power Unit Assembly                | 1944554  |
| 5    | Float                              | 3545000  |
| 6    | Lid Cage Assembly                  | 1944548  |
| 7    | Foam Sleeve                        | 90585    |
| 8    | Collection Bag                     | 90668    |
| 9    | Tank Assembly                      | 1944743  |
| 10   | Wall Bracket                       | 4510910  |
| 11   | Screw #10 x 1 SLT Pan HD Type AB   | 1501199  |
| 12   | **Dolly                            | 4512111  |
| 13   | Caster                             | 6774210  |
| 14   | Wheel                              | 4512200  |
| 15   | Shaft                              | 4512300  |
| 16   | Flat Washer                        | 0702199  |

\* Replacement parts may differ from original equipment.

\*\* Includes items 1, 13-16