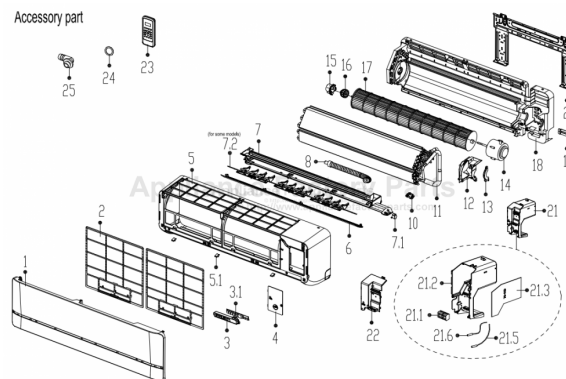


This Owner's Manual is provided and hosted by [Appliance Factory Parts](http://ApplianceFactoryParts.com).



COMFORT-AIRE B-VMH18SU-1A Owner's Manual

[Shop genuine replacement parts for COMFORT-AIRE
B-VMH18SU-1A](#)



[Find Your COMFORT-AIRE HVAC Parts - Select From 1486 Models](#)

----- Manual continues below -----

Comfort-Cire®

Century®

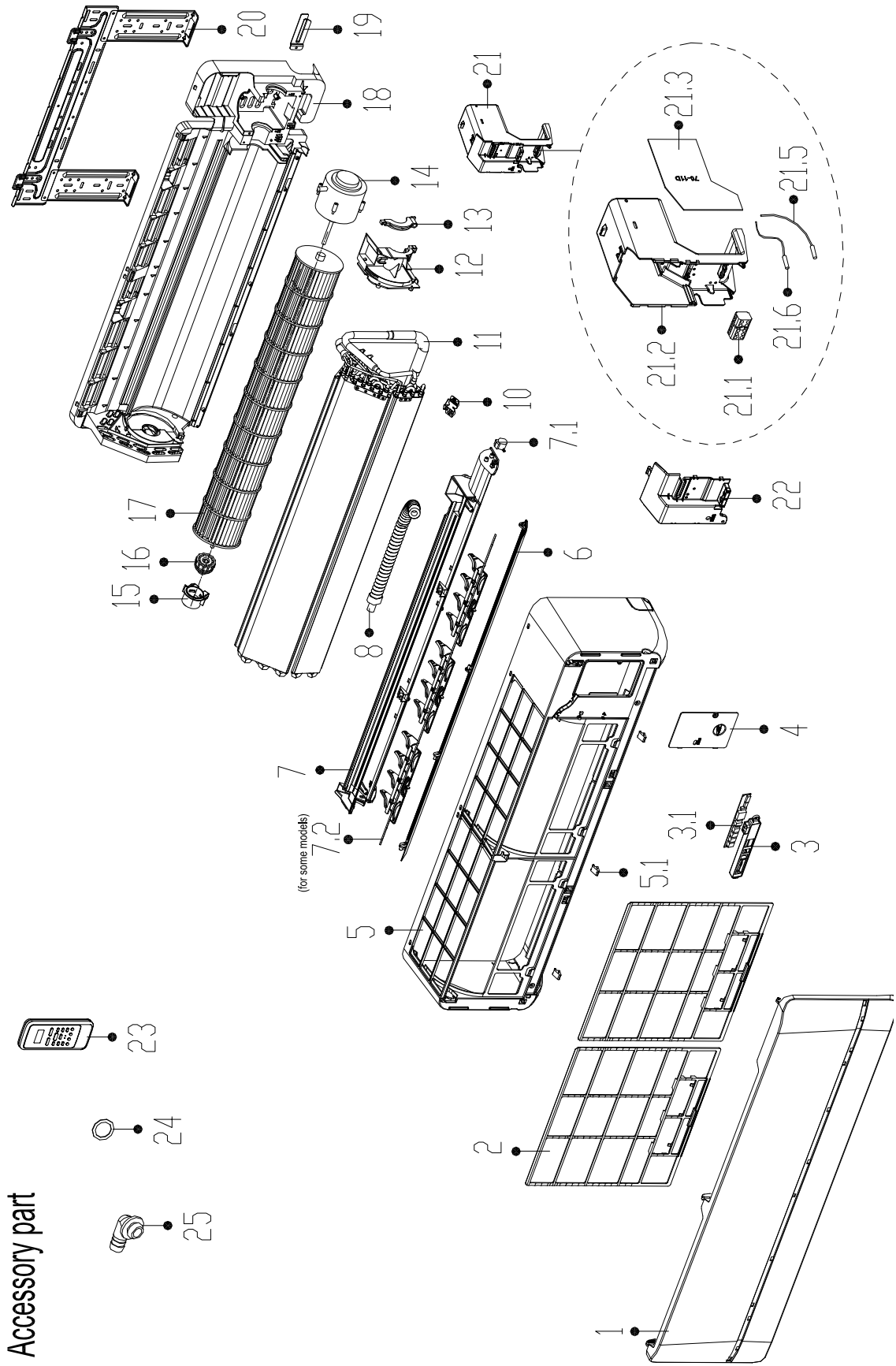
MARS®
Delivering Confidence

REPLACEMENT PARTS LIST

**Single Zone Low Temperature
Ductless Mini-Split**

B-VMH18SU-1A

EXPLODED VIEW



Accessory part

REPLACEMENT PARTS

Location	Part Name	Quantity	Part No.
1	Panel assembly		12122000A46918
2	Air filter		12100204000400
3	Display box subassembly		17222000A49529
3.1	Display board subassembly		17122000A30788
4	Cover of electrical equipment		12122000006693
5	Panel frame assembly		12122000001746
5.1	Screw cap		12122000006272
6	Horizontal louver		12122000005707
7	Air outlet assembly		12122000008962
7.1	stepper motor		11002010000015
7.2	Horizontal louver		12122000008276
10	Fixed clamp of temperature sensor		12100303000008
11	Evaporator assembly		15822000008156
12	Fan motor cover		12122000005516
13	Fixing board of fan motor		12122000006772
14	Brushless DC Motor		11002015000094
15	Bearing holder		12122000000350
16	Bearing base		12622000000006
17	Cross flow fan		12100102000007
18	Chassis Assembly		12122000A08689
19	pipe clamp board		12222000000054
20	Installation Plate		12222000000020
21	E-Box subassembly		17222000003284
21.1	Terminal		17400401000006
21.2	Electronic control box		12122000004609
21.3	Main control board subassembly		17122000010482
21.5	Room Temperature Sensor		11201007000003
21.6	Pipe Temperature Sensor		11201007000126
22	Cover of electronic control box		12122000005029
23	Remote controller		17317000A06740
24	Seal ring		12600701000039
25	Drain hose		12100509000061
Not Shown	detection valve		15500209000001
45	Bracket of remote Controller		12117000002114

Due to ongoing product improvements, specifications and dimensions are subject to change and correction without notice or incurring obligations. Determining the application and suitability for use of any product is the responsibility of the installer. Additionally, the installer is responsible for verifying dimensional data on the actual product prior to beginning any installation preparations.

Incentive and rebate programs have precise requirements as to product performance and certification. All products meet applicable regulations in effect on date of manufacture; however, certifications are not necessarily granted for the life of a product. Therefore, it is the responsibility of the applicant to determine whether a specific model qualifies for these incentive/rebate programs.



1900 Wellworth Ave., Jackson, MI 49203 • Ph. 517-787-2100 • www.marsdelivers.com

