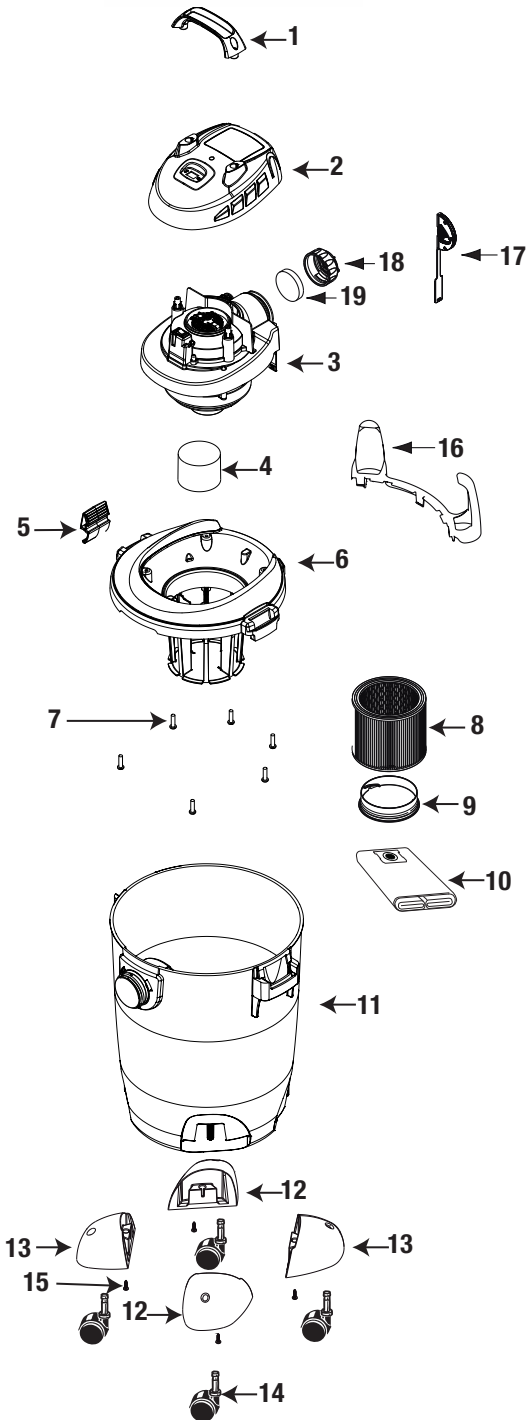


SM12 Series

Model SM12-300A



ITEM	DESCRIPTION	PART NO.
1	Handle	3756151
2	Motor Cover	2433350
3	Power Unit Assembly	8300397
4	Float	3545000
5	Lid Latch	7444500
6	Lid Cage and Latch Assembly	1945337
7	Screw 10 x 3/4" Trilobe, Twin Lead	1517699
8	Cartridge Filter	90304
9	Filter Retainer	3008000
10	Disposable Filter Bag	90661
11	Tank Assembly	1944701
12	Caster Foot A	7433100
13	Caster Foot B	7433110
14	Caster	6774200
15	Screw 10 x 3/4" SL Hex Head	1503999
16	Hose/Tool Holder	3857810
17	Airflow Indicator	7419596
18	Blower Port Diffuser Cap	7419007
19	Diffuser Foam	1290530

* Replacement parts may differ from original equipment.