

This Owner's Manual is provided and hosted by [Appliance Factory Parts](#).



Shop Vac SM14-500A Owner's Manual

[Shop genuine replacement parts for Shop Vac
SM14-500A](#)



[Find Your Shop Vac Vacuum Cleaner Parts - Select From 498 Models](#)

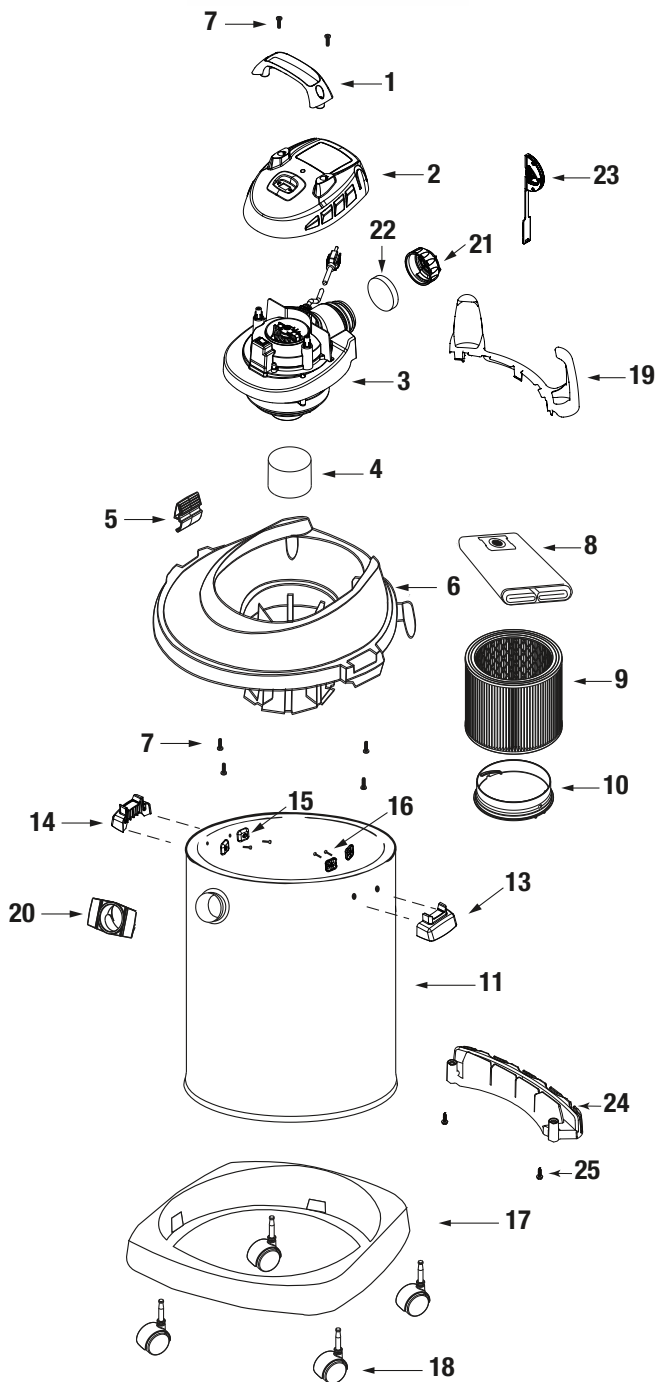
----- Manual continues below part list -----

Available Replacement Parts for Shop Vac SM14-500A

9030433	FILTER CARTRIDGE FOR VACUUM
9066133	VACUUM OEM SHOP VAC 5 GALLON
6774200	Caster, each [READ ADD'L INFO]
3008000	FILTER RETAINER
7413120	INLET DEFLECTOR
1503999	screw
3545000	Cup Float.
1517699	Screw.
7444500	Lid Latch.
8568010 and SV-8568000	CASTER FOOT B AND CASTER FOOT A, Black
1290530	Foam-Diffuser
3756151	Handle
8300797	Power Unit Assembly

SM14 Series

Model SM14-500A



ITEM	DESCRIPTION	PART NO.
1	Handle	3756151
2	Motor Cover	2433354
3	Power Unit Assembly	8300797
4	Float	3545000
5	Lid Latch	7444500
6	Lid Cage and Latch Assembly	3187170
7	Screw 10 x 3/4" Trilobe Twin Lead	1517699
8	Disposable Filter Bag	90661
9	Cartridge Filter	90304
10	Filter Retainer	3008000
11	Tank Assembly	1945353
12	Side Tank Handle Pack (Includes 13-16)	9355695
13	Side Tank Handle - Left	9355611
14	Side Tank Handle - Right	9355601
15	Handle Support	9355800
16	#10 x 1" Screw Hex Head	1509699
17	Caster Dolly	9381800
18	Caster	6774200
19	Hose Holder	3857800
20	Inlet Deflector	7413120
21	Blower Port Diffuser	7419007
22	Foam Diffuser	1290530
23	Airflow Indicator	7419596
24	Tool Rack	9382400
25	Screw Hex Head #10 x 3/4", Type AB	1503999

* Replacement parts may differ from original equipment.