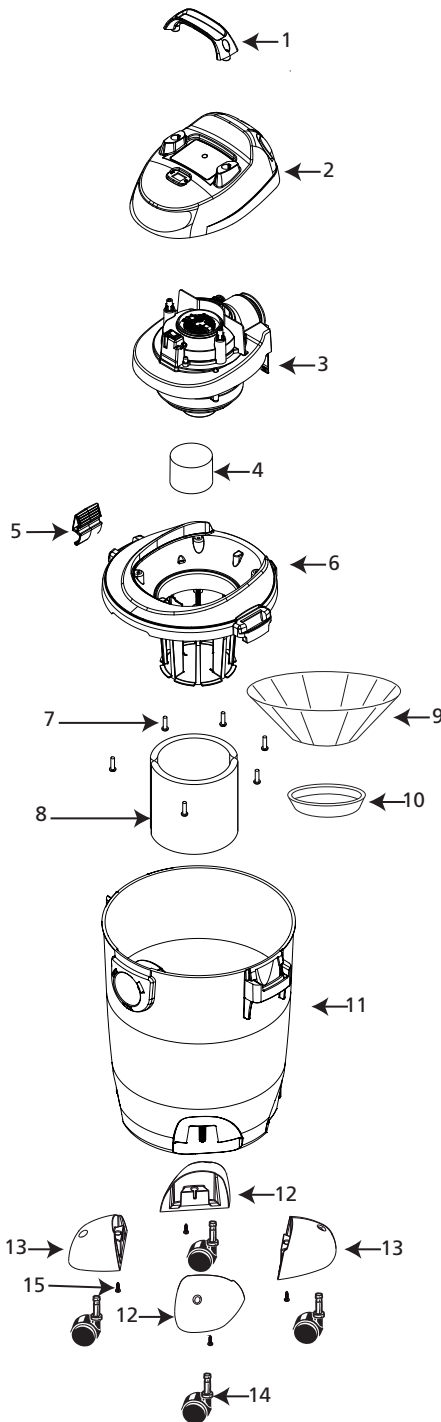


SS12 Series

Model SS12-250



ITEM	DESCRIPTION	PART NO.
1	Handle	3756152
2	Motor Cover	1945140
3	Power Unit Assembly	8300297
4	Float	3545000
5	Lid Latch	7444503
6	Lid Cage and Latch Assembly	3186122
7	Screw 10 x 3/4" Trilobe, Twin Lead	1517699
8	Foam Sleeve	90585
9	Reusable Dry Filter	90107
10	Filter Ring	3006500
11	Tank Assembly	1944701
12	Caster Foot A	7433100
13	Caster Foot B	7433110
14	Caster	6774200
15	Screw 10 x 3/4" SL Hex Head	1503999

* Replacement parts may differ from original equipment.