

This Owner's Manual is provided and hosted by [Appliance Factory Parts](#).



Shop Vac SM16-SQ550 Owner's Manual

[Shop genuine replacement parts for Shop Vac
SM16-SQ550](#)

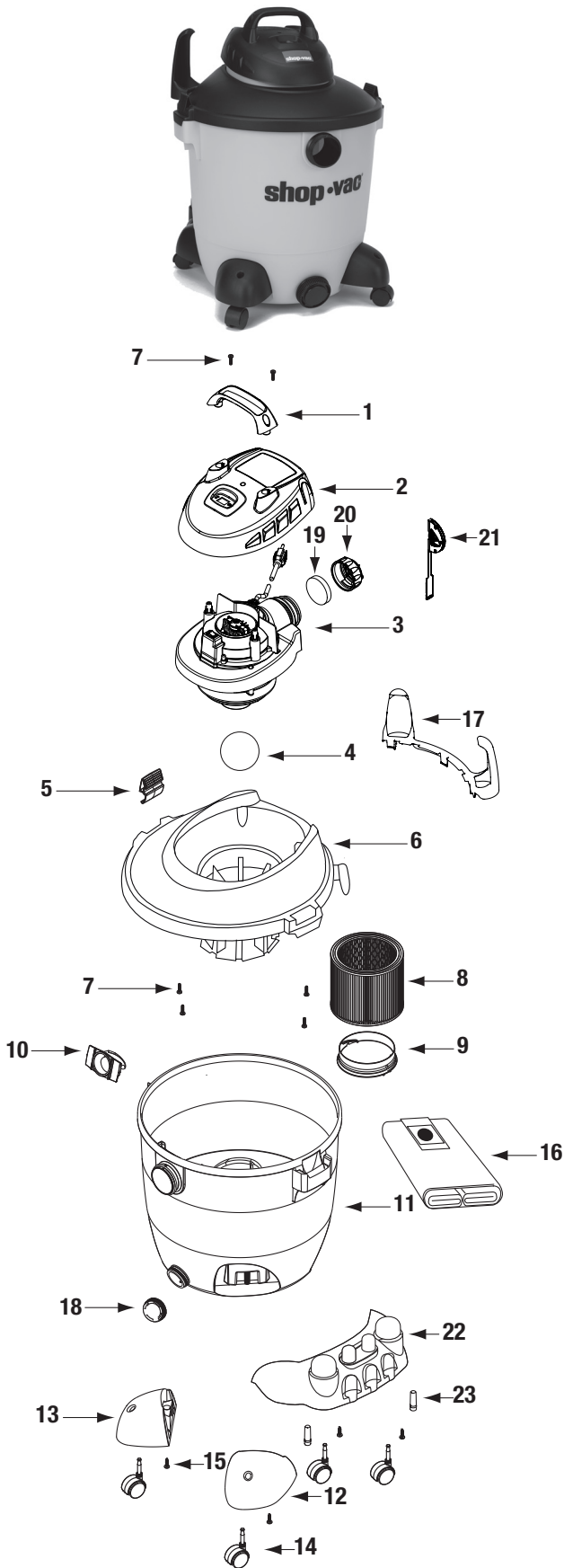


[Find Your Shop Vac Vacuum Cleaner Parts - Select From 487 Models](#)

----- Manual continues below -----

SM16 Series

SM16-SQ550



ITEM	DESCRIPTION	PART NO.
1	Handle	3756151
2	Motor Cover	2433353
3	Power Unit Assembly	8303797
4	Ball Float	0081120
5	Lid Latch	7444500
6	Lid Cage & Latch Assembly	3188150
7	Screw 10 x 3/4" Trilobe Twin Lead	1517699
8	Cartridge Filter	90304
9	Filter Retainer	3008000
10	Inlet deflector	7413120
11	Tank Assembly	1027397
12	Caster Foot A	8568000
13	Caster Foot B	8568010
14	Caster	6774200
15	Screw 10 x 3/4" SL Hex Head	1503999
16	Disposable Filter Bag	90662
17	Hose Holder	3857800
18	Drain Cap	7446800
19	Foam Diffuser	1290530
20	Blower Port Diffuser	7419007
21	Airflow Indicator	7419596
22	Caster Dolly	7431135
23	Retainer	8565500

* Replacement parts may differ from original equipment.