

This Owner's Manual is provided and hosted by [Appliance Factory Parts](#).



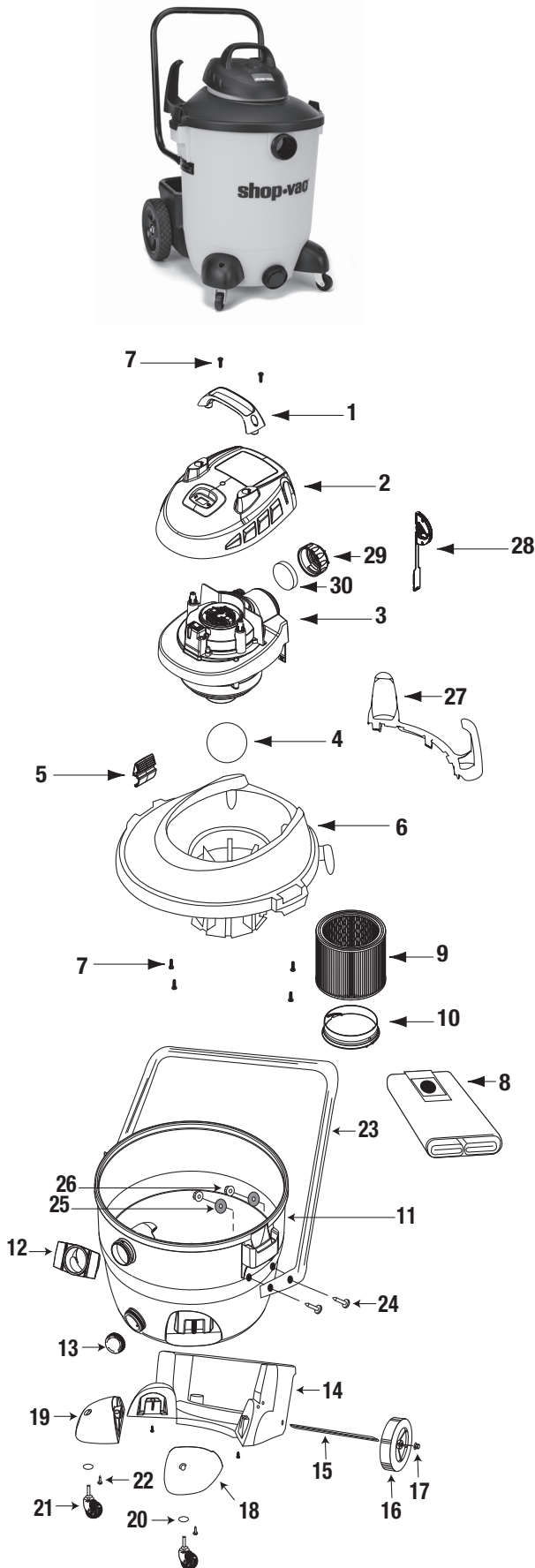
Shop Vac SM16-SQ650 Owner's Manual

[Shop genuine replacement parts for Shop Vac
SM16-SQ650](#)



[Find Your Shop Vac Vacuum Cleaner Parts - Select From 487 Models](#)

----- Manual continues below -----



ITEM	DESCRIPTION	PART NO.
1	Handle	3756151
2	Motor Cover	2433082
3	Power Unit Assembly	8303797
4	Ball Float	0081120
5	Lid Latch	7444500
6	Lid Cage & Latch Assembly	3188150
7	Screw 10 x 3/4" Trilobe, Twin Lead	1517699
8	Disposable Filter Bag	90662
9	Cartridge Filter	90304
10	Filter Retainer	3008000
11	Tank Assembly	1099997
12	Inlet Deflector	7413120
13	Drain Cap	7446800
14	Rear Dolly/Basket	7417720
15	Axle	2441500
16	Rear Wheel	2425010
17	Cap Nut	4300299
18	Caster Foot A	8568006
19	Caster Foot B	8568016
20	Flat Washer	0704399
21	Caster	6773900
22	Screw 10 x 3/4" SL Hex Head	1503999
23	Carriage Handle	2088600
24	Screw 1/4" - 20 x 3/4" Slotted Thread	0810899
25	Sealing Washer	0701299
26	1/4" - 20 Locknut - Heavy Hex HD	1304599
27	Hose Holder	3857800
28	Airflow Indicator	7419596
29	Blower Port Diffuser Cap	7419007
30	Diffuser Foam	1290530

*Replacement parts may differ from original equipment.