

This Owner's Manual is provided and hosted by [Appliance Factory Parts](#).



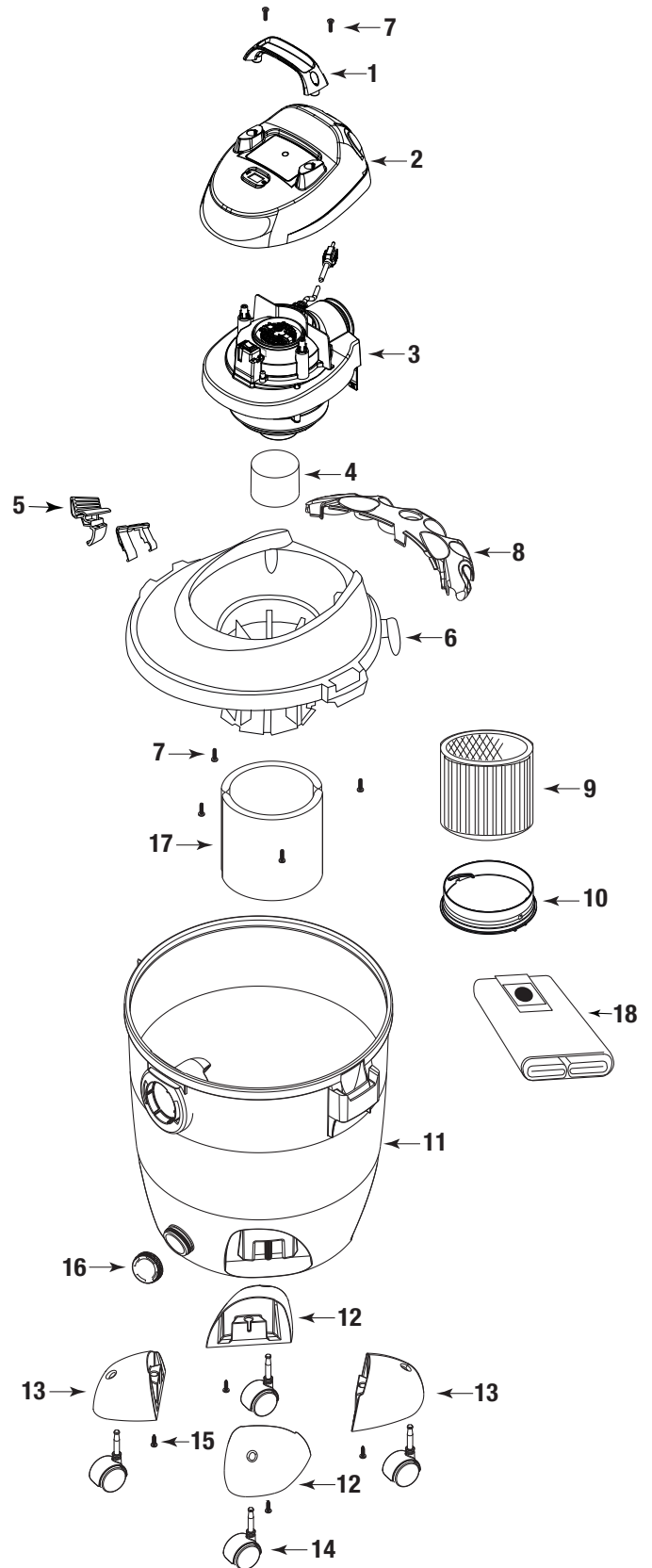
Shop Vac SS16-500 Owner's Manual

[Shop genuine replacement parts for Shop Vac
SS16-500](#)



[Find Your Shop Vac Vacuum Cleaner Parts - Select From 487 Models](#)

----- Manual continues below -----



ITEM	DESCRIPTION	PART NO.
1	Handle	3756155
2	Motor Cover	2433787
3	Power Unit Assembly	8300797
4	Float	3545000
5	Lid Latch	1945462
6	Lid Cage & Latch Assembly	3188122
7	Screw 10 x 3/4" Trilobe Twin Lead	1517699
8	Tool Holder	8412000
9	Cartridge Filter	90304
10	Filter Retainer	3008000
11	Tank Assembly	1027397
12	Caster Foot A	8568000
13	Caster Foot B	8658010
14	Caster	6774200
15	Screw 10 x 3/4" SL Hex Head	1503999
16	Drain Cover	7446803
17	Foam Sleeve	90585
18	Collection Bag	90662

* Replacement parts may differ from original equipment.