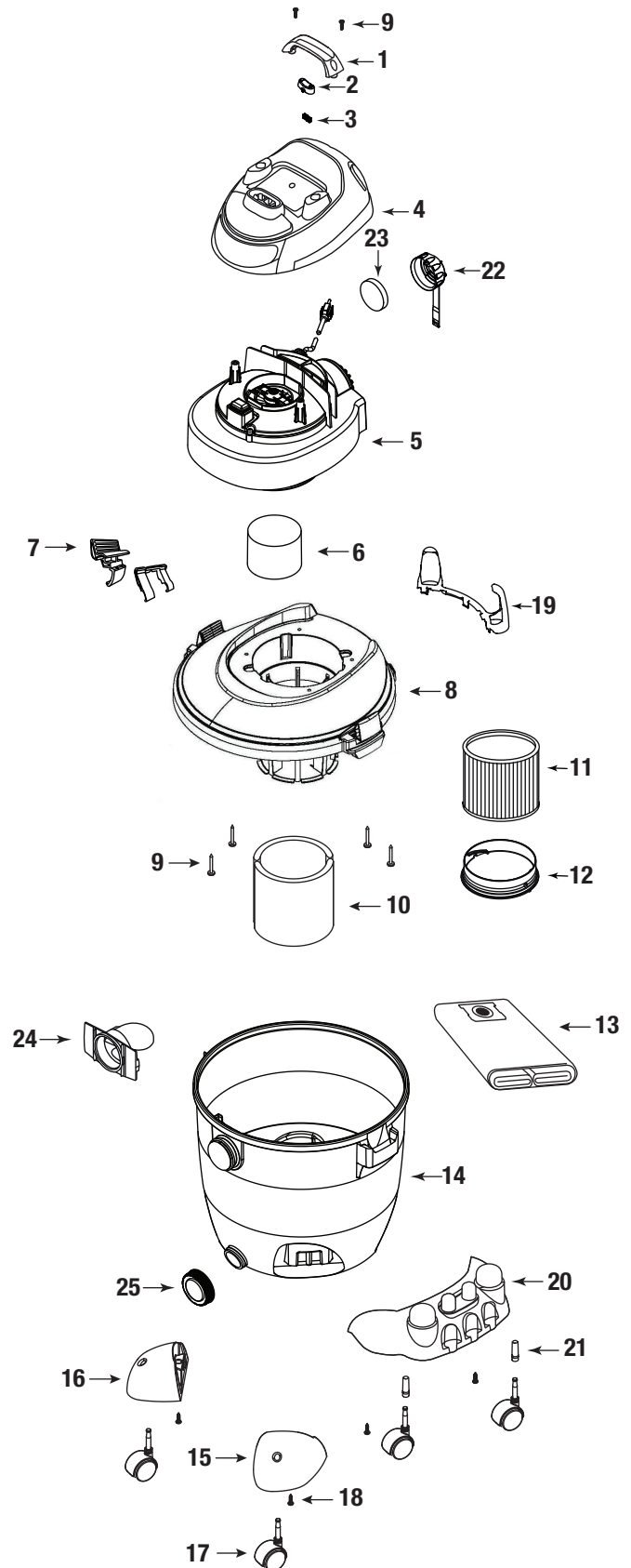


shop·vac®



ITEM	DESCRIPTION	PART NO.
1	Handle	3756151
2	Switch Rocker	8230410
3	Switch Extension	7414255
4	Motor Cover (Includes 2 & 3)	1945546
5	Power Unit Assembly	8300497
6	Float	3545000
7	Lid Latch	1945462
8	Lid Cage & Latch Assembly	3187127
9	Screw 10 x 3/4" Trilobe, Twin Lead	1517699
10	Foam Sleeve	90585
11	Cartridge Filter	90304
12	Retainer	3008000
13	Disposable Filter Bag	90661
14	Tank Assembly	1944703
15	Casterfoot A	8568000
16	Casterfoot B	8568010
17	Caster	6774200
18	Screw 10 X 3/4" SL Hex Head	1503999
19	Hose Holder	3857800
20	Rear Caster Dolly	7431031
21	Retainer	8565500
22	Diffuser/Tether	1945329
23	Diffuser Foam	1290530
24	Inlet Deflector	7413120
25	Drain Cap	1062502

\*Replacement parts may differ from original equipment.