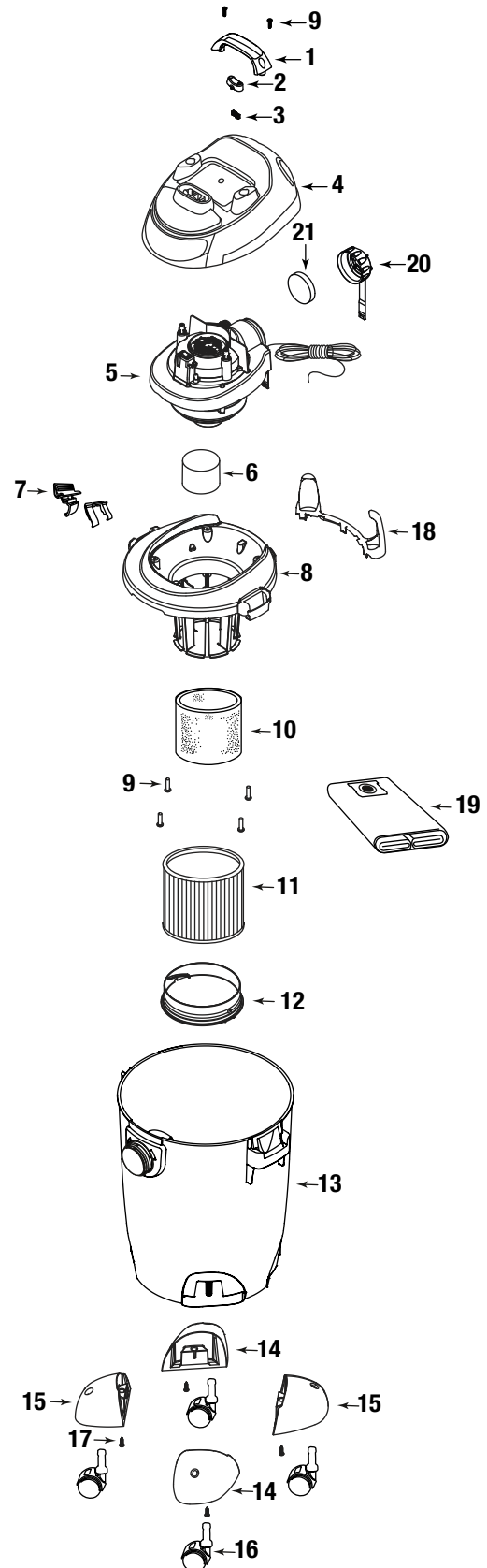


shop-vac®



ITEM	DESCRIPTION	PART NO.
1	Handle	3756151
2	Switch Rocker	8230410
3	Switch Extensions	7414255
4	Motor Cover (Includes #2-3)	1945545
5	Power Unit Assembly	8300397
6	Float	3545000
7	Lid Latch (contains 2)	1945462
8	Lid Cage and Latch Assembly	3186129
9	Screw 10 x 3/4" Trilobe, Twin Lead	1517699
10	Foam Sleeve	90585
11	Cartridge Filter	90304
12	Filter Retainer	3008000
13	Tank Assembly	1944701
14	Caster Foot A	7433100
15	Caster Foot B	7433110
16	Caster	6774200
17	Screw 10 x 3/4" SL Hex Head	1503999
18	Hose Storage	3857810
19	Collection Bag	90661
20	Diffuser/Tether (Includes #21)	1945329
21	Diffuser Foam	1290530

*Replacement parts may differ from original equipment.