

This Owner's Manual is provided and hosted by [Appliance Factory Parts](#).



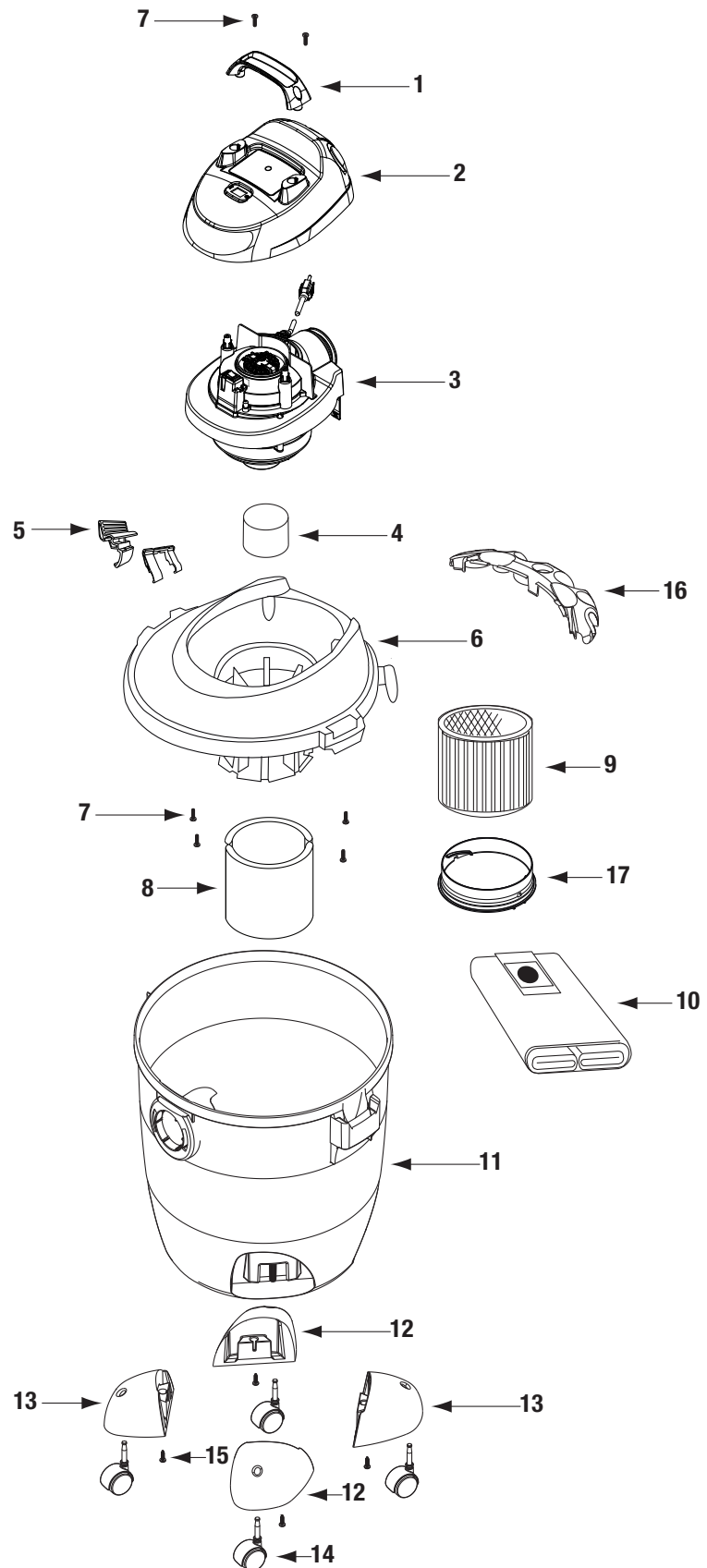
# Shop Vac SS14-450 Owner's Manual

[Shop genuine replacement parts for Shop Vac  
SS14-450](#)



[Find Your Shop Vac Vacuum Cleaner Parts - Select From 487 Models](#)

----- Manual continues below -----



ITEM	DESCRIPTION	PART NO.
1	Handle	3756155
2	Motor Cover	2433788
3	Power Unit Assembly	8300497
4	Float	3545000
5	Lid Latch	1945462
6	Lid Cage & Latch Assembly	3187127
7	Screw 10 x 3/4" Trilobe Twin Lead	1517699
8	Foam Sleeve	90585
9	Cartridge Filter	90304
10	Collection Bag	90661
11	Tank Assembly	1944703
12	Caster Foot A	8568000
13	Caster Foot B	8568010
14	Caster	6774200
15	Screw 10 x 3/4" SL Hex Head	1503999
16	Tool Holder	8412000
17	Filter Retainer	3008000

\*Replacement parts may differ from original equipment.