



## ATTENTION!

Read all safety rules carefully before attempting to operate. Retain for future reference.



## ATTENTION!

Lisez attentivement les instructions sur la sécurité avant d'utiliser cet appareil. Conservez ce manuel pour vous y reporter ultérieurement.



## ¡ATENCIÓN!

Lea cuidadosamente todas las normas de seguridad antes de utilizar la aspiradora. Conserve esta manual para consultas futuras.



## DANGER!

Never operate this unit when flammable materials or vapors are present because electrical devices produce arcs or sparks that can cause a fire or explosion.

**NEVER OPERATE UNATTENDED!**



## DANGER!

N'utilisez jamais cet aspirateur en présence de vapeurs ou de matières inflammables. Les appareils électriques produisent des arcs ou des étincelles qui peuvent causer un incendie ou une explosion.

**NE JAMAIS FAIRE FONCTIONNER SANS SURVEILLANCE!**



## ¡PELIGRO!

Nunca opere esta unidad ante la presencia de materiales o vapores inflamables dado que los artefactos eléctricos producen arcos o chispas que pueden causar un incendio o una explosión.

**¡NO DEJE LA ASPIRADORA FUNCIONANDO SIN VIGILANCIA!**

User manual

Please review before operating vac.

Manuel d'utilisation

Veillez lire avant d'utiliser l'aspirateur.

Manual del usuario

Por favor lea esta manual antes de usar la aspiradora.

# shop•vac®

BRAND/MARQUE/MARCA

**Wet/Dry Vacuum  
Household and Workshop Use**

**Series SS11, SS12, SS14, SS16**

**Aspirateur pour déchets secs et humides  
Pour utilisation domestique ou dans les entrepôts**

**Séries SS11, SS12, SS14, SS16**

**Aspiradora para aspiración de residuos  
Líquidos/Sólidos  
Para Uso Doméstico y Comercial**

**Series SS11, SS12, SS14, SS16**

**SHOP-VAC CORPORATION**  
2323 Reach Road, P.O. Box 3307  
Williamsport, PA 17701-0307  
(570) 326-3557  
www.shopvac.com

**SHOP-VAC CANADA**  
1770 Appleby Line  
Burlington, Ontario L7L 5P8  
(905) 335-9730  
www.shopvac.ca

**Shop Vac-México, S.A. de C.V.**  
Av. Mariano Otero #5095, Local 1 PB  
Col. La Calma  
Zapopan, Jalisco C.P. 45070  
MEXICO  
52 (33) 3188 6388

**Patents Issued and Pending.  
Brevets délivrés et en instance.  
Patentes registradas y en trámite.**

© 2018 Shop-Vac Corporation. All Rights Reserved.  
© Shop-Vac Corporation, 2018. Tous droits réservés.  
© 2018 Shop-Vac Corporation. Todos los derechos reservados.

# IMPORTANT SAFETY INSTRUCTIONS

When using an electrical appliance, basic precautions should always be followed, including the following: **READ ALL INSTRUCTIONS BEFORE USING THIS APPLIANCE.**

## **⚠ WARNING – TO REDUCE THE RISK OF FIRE, ELECTRIC SHOCK OR INJURY:**

- Do not leave appliance when plugged in. Unplug from outlet when not in use and before servicing. Connect to a properly grounded outlet only. See Grounding Instructions.
- Do not expose to rain – store indoors.
- Do not allow to be used as a toy. Close attention is necessary when used by or near children.
- Use only as described in this manual. Use only Manufacturer's recommended attachments.
- Do not use with damaged cord or plug. If appliance is not working as it should, has been dropped, damaged, left outdoors or dropped into water, contact Shop-Vac Corporation for assistance.
- Do Not: pull or carry by cord, use cord as a handle, close a door on cord or pull cord around sharp edges or corners. Do not run appliance over cord. Keep cord away from heated surfaces.
- Do not unplug by pulling on cord. To unplug, grasp the plug: not the cord.
- Do not handle plug or appliance with wet hands.
- Do not put any object into openings. Do not use with any openings blocked; keep free of dust, lint, hair and anything that may reduce air flow.
- Keep hair, loose clothing, fingers and all parts of body away from openings and moving parts.
- Do not pick up anything that is burning or smoking, such as cigarettes, matches or hot ashes.

- Do not use without dust bag and/or filters in place.
- Turn off all controls before unplugging.
- Use extra care when cleaning on stairs.
- Do not use to pick up flammable or combustible liquids such as gasoline or use in areas where they may be present.
- Do not use your cleaner as a sprayer of flammable liquids such as oil base paints, lacquers, household cleaners, etc.
- Do not vacuum toxic, carcinogenic, combustible or other hazardous materials such as asbestos, arsenic, barium, beryllium, lead, pesticides or other health endangering materials. Specially designed units are available for these purposes.
- Do not pick up soot, cement, plaster or drywall dust without cartridge filter and collection filter bag in place. These are very fine particles that may pass through the foam and affect the performance of the motor or be exhausted back into the air. Additional collection filter bags are available.
- Do not leave the cord lying on the floor once you have finished the cleaning job. It can become a tripping hazard.
- Use special care when emptying heavily loaded tanks.
- To avoid spontaneous combustion, empty tank after each use.
- The operation of a utility vac can result in foreign objects being blown into eyes, which can result in eye damage. Always wear safety goggles when operating vacuum.
- STAY ALERT.** Watch what you are doing and use common sense. Do not use vacuum cleaner when you are tired, distracted or under the influence of drugs, alcohol or medication causing diminished control.
- WARNING!** Do **NOT** use this vacuum cleaner to vacuum lead paint debris because this may disperse fine lead particles into the air. This vacuum cleaner is not intended for use under EPA Regulation 40 CFR Part 745 for lead paint material cleanup.

## SAVE THESE INSTRUCTIONS

## **⚠ WARNING – DO NOT LEAVE VACUUM UNATTENDED WHEN IT IS PLUGGED IN AND/OR OPERATING. UNPLUG UNIT WHEN NOT IN USE.**

## GROUNDING INSTRUCTIONS

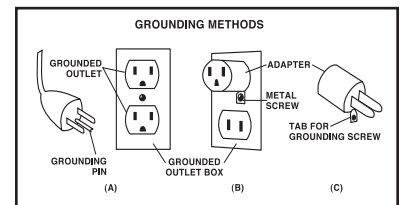
This appliance must be grounded. If it should malfunction or break down, grounding provides a path of least resistance for electric current to reduce the risk of electric shock. This appliance is equipped with a cord having an equipment-grounding conductor and grounding plug. The plug must be inserted into an appropriate outlet that is properly installed and grounded in accordance with all local codes and ordinances.

## **⚠ WARNING – IMPROPER CONNECTION OF THE EQUIPMENT-GROUNDING CONDUCTOR CAN RESULT IN A RISK OF ELECTRIC SHOCK. CHECK WITH A QUALIFIED ELECTRICIAN OR SERVICE PERSON IF YOU ARE IN DOUBT AS TO WHETHER THE OUTLET IS PROPERLY GROUNDED. DO NOT MODIFY THE PLUG PROVIDED WITH THE APPLIANCE – IF IT WILL NOT FIT THE OUTLET, HAVE A PROPER OUTLET INSTALLED BY A QUALIFIED ELECTRICIAN.**

This appliance is for use on a nominal 120-volt circuit, and has a grounded plug that looks like the plug illustrated in **sketch A**. A temporary adaptor that looks like the adaptor illustrated in **sketches B and C** may be used to connect this plug to a 2-pole receptacle as shown in **sketch B** if a properly grounded outlet is not available. The temporary adaptor should be used

only until a properly grounded outlet (**sketch A**) can be installed by a qualified electrician. The green colored rigid ear, lug or the like extending from the adaptor must be connected to a permanent ground such as a properly grounded outlet box cover. Whenever the adaptor is used, it must be held in place by a metal screw.

IN CANADA, THE USE OF A TEMPORARY ADAPTOR IS NOT PERMITTED BY THE CANADIAN ELECTRICAL CODE. Make sure that the appliance is connected to an outlet having the same configuration as the plug. No adaptor should be used with this appliance.



## EXTENSION CORDS

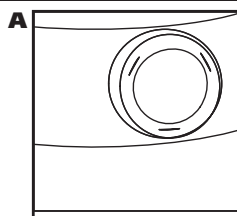
When using the appliance at a distance where an extension cord becomes necessary, a 3-conductor grounding cord of adequate size must be used for safety, and to prevent loss of power and overheating. Use the table below to determine A.W.G. wire size required. To determine ampere rating of your vacuum, refer to nameplate located on rear of motor cover. Before using appliance, inspect power cord for loose or exposed wires and damaged insulation. Make any needed repairs or replacements before using your appliance. Use only three-wire outdoor extension cords which have three-prong grounding-type plugs and three-pole receptacles which accept the extension cord's plug. When vacuuming liquids, be sure the extension cord connection does not come in contact with the liquid.

**NOTE: STATIC SHOCKS ARE COMMON IN DRY AREAS OR WHEN THE RELATIVE HUMIDITY OF THE AIR IS LOW. THIS IS ONLY TEMPORARY AND DOES NOT AFFECT THE USE OF THE APPLIANCE. TO REDUCE THE FREQUENCY OF STATIC SHOCKS IN YOUR HOME, THE BEST REMEDY IS TO ADD MOISTURE TO THE AIR WITH A CONSOLE OR INSTALLED HUMIDIFIER.**

Volts	Total length of cord in feet				
	25	50	100	150	
120V					
Ampere Rating More Than	-	AWG			
		Not More Than			
0	- 6	18	16	16	14
6	- 10	18	16	14	12
10	- 12	16	16	14	12
12	- 16	14	12	Not recommended	

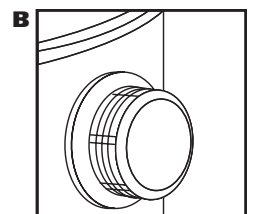
## UNPACKING AND SET-UP

- Pull lid latches in an outward motion, remove tank cover and any accessories that may have been shipped in the tank.
- Attach caster system following the instructions and illustrations in this manual.
- Before replacing tank cover, please refer to Dry Pick Up or Wet Pick Up Operation in this manual to ensure you have the proper filters installed for your cleaning operation.
- Replace tank cover, and apply pressure with thumb to



each latch until it snaps tightly in place. Make sure all lid latches are clamped securely.

- Insert machine hose end into inlet of tank. Twist slightly to tighten the connection (**Figure A**). Friction Fit Inlet.
- Insert machine hose end with locking-nut into inlet located on the front of the tank. Turn locking nut to tighten. Do not over-tighten. (**Figure B**) Lock-On® inlet.
- Attach the extension wands (**not standard with all models**) to the accessory end of the hose. Twist slightly to tighten the connection (**Figure C**).
- Attach one of the cleaning accessories (depending on your cleaning requirements) to the

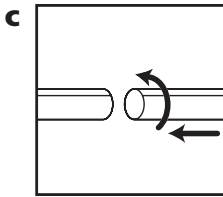


extension wands. Twist slightly to tighten the connection (Figure C).

9. Plug the cord into the wall outlet. Your cleaner is ready for use.

I = ON, 0 = OFF

NOTE: MANY MORE USEFUL TOOLS ARE AVAILABLE AT YOUR LOCAL DEALER OR SHOP-VAC® WEBSITE.



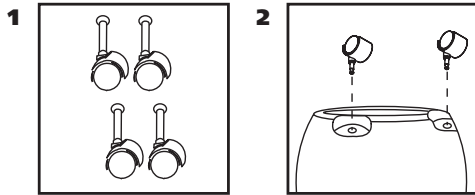
## CASTER SYSTEM ASSEMBLY

Not all units are equipped with the same caster system. Follow the instructions, which apply to your specific unit.

### Without Caster Feet

You will find four casters (Figure 1) with your wet/dry vacuum. Assemble as follows:

1. With cord disconnected from receptacle and tank cover removed, turn tank upside down so that bottom is facing up.
2. Insert casters into bottom of tank by placing stem of caster into holes provided. Apply pressure and twisting motion until casters snap into place (Figure 2).
3. Return tank to upright position.

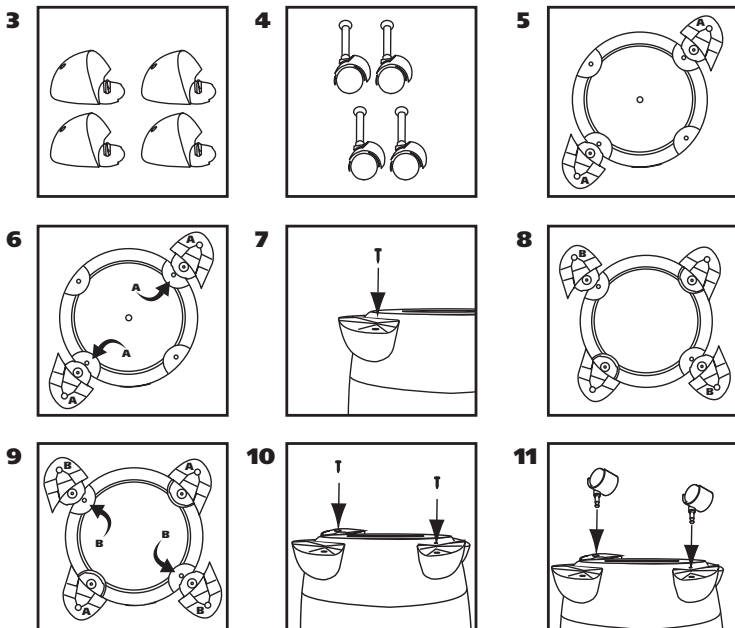


### With Caster Feet

If your caster feet look like the ones pictured in Figure 3, follow these instructions.

You will find four caster feet (Figure 3), four casters (Figure 4), and four screws with your wet/dry vacuum. Assemble as follows:

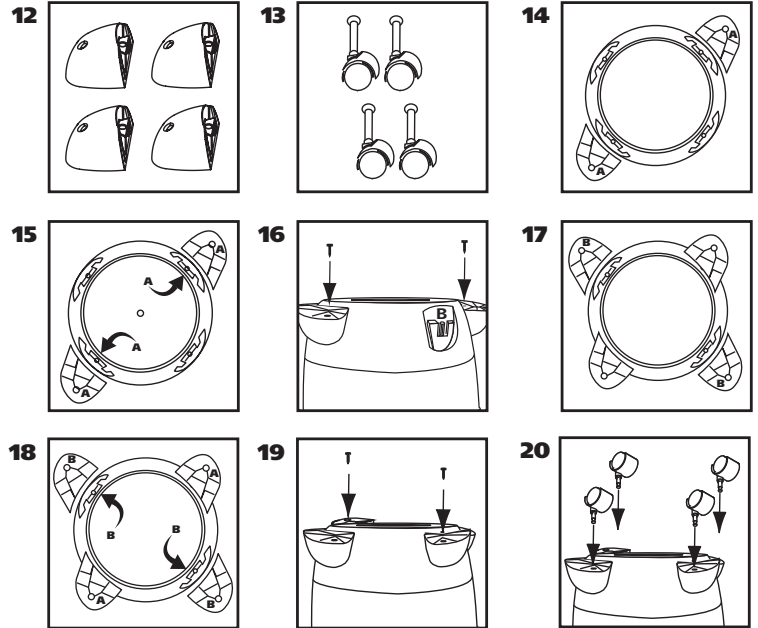
1. With cord disconnected from receptacle and tank cover removed, turn tank upside down so that bottom is facing up.
2. Remove any webbing that attaches the caster feet to each other.
3. With front of tank inlet facing you, take caster feet marked with the letter A (Figure 5) and insert stem of caster foot into holes on left front and right rear of tank also marked with the letter A (Figure 6). Make sure caster feet are fully inserted into tank bottom and secure with screws provided (Figure 7).
4. Take caster feet marked with the letter B (Figure 8) and insert stem of caster foot into holes on right front and left rear of tank also marked with the letter B (Figure 9). Make sure caster feet are fully inserted into tank bottom and secure with screws provided (Figure 10).
5. Insert casters into feet by placing stem of caster into holes provided. Apply pressure and twisting motion until casters snap into place (Figure 11).
6. Return tank to upright position.



If your caster feet look like the ones pictured in Figure 12, follow these instructions. You will find four caster feet (Figure 12), four casters (Figure 13) and four screws with your

wet/dry vacuum. Assemble as follows:

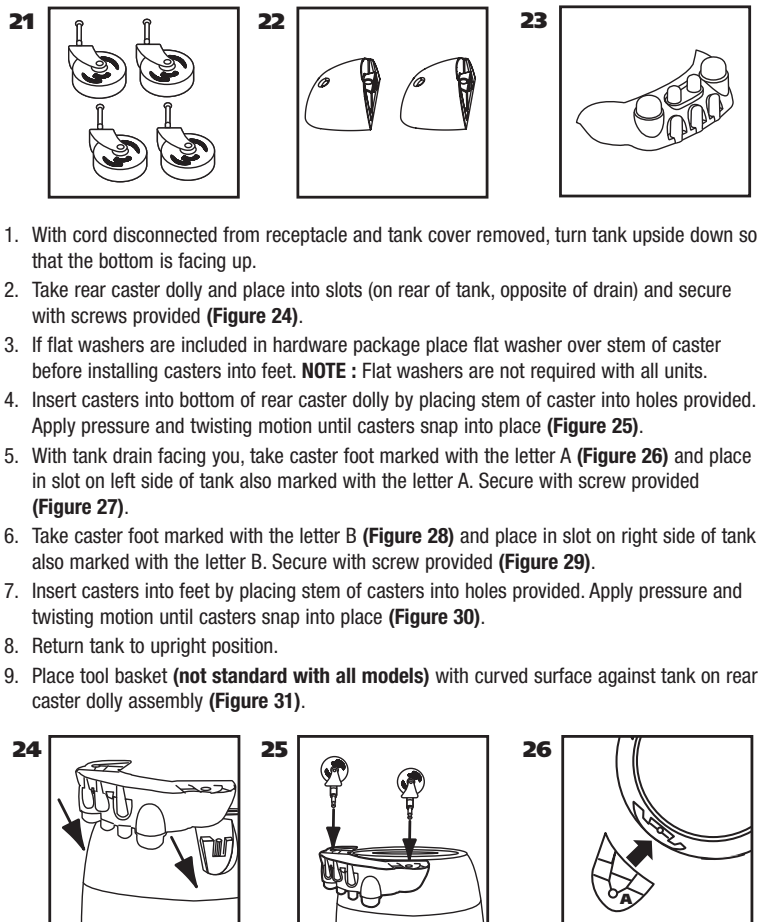
1. With cord disconnected from receptacle and tank cover removed, turn tank upside down so that bottom is facing up.
2. With front of tank facing you, take caster feet marked with the letter A (Figure 14) and place in slots on left front and right rear of tank also marked with the letter A (Figure 15). Secure with screws provided (Figure 16).
3. Take caster feet marked with the letter B (Figure 17) and place in slots on right front and left rear of tank also marked with the letter B (Figure 18). Secure with screws provided (Figure 19).
4. If flat washers are included in hardware package place flat washer over stem of caster before installing casters into feet. NOTE: Flat washers are not required with all units.
5. Insert casters into feet by placing stem of caster into holes provided. Apply pressure and twisting motion until casters snap into place (Figure 20). Return tank to upright position.

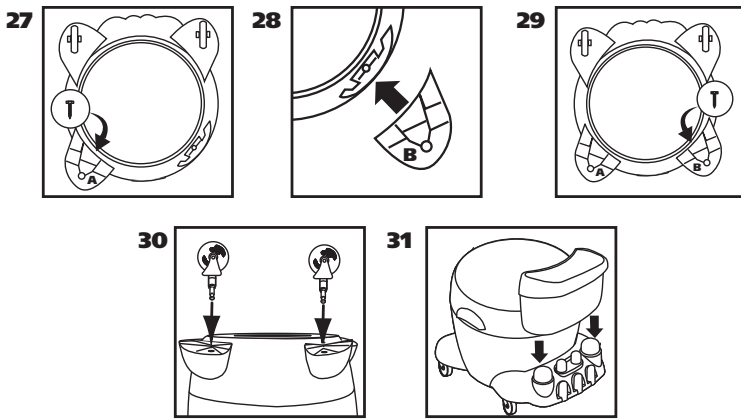


### With Rear Caster Dolly/Tool Holder

You will find four casters (Figure 21), two caster feet (Figure 22), rear caster dolly/tool holder (Figure 23), and four screws with your wet/dry vacuum. Assemble as follows:

1. With cord disconnected from receptacle and tank cover removed, turn tank upside down so that the bottom is facing up.
2. Take rear caster dolly and place into slots (on rear of tank, opposite of drain) and secure with screws provided (Figure 24).
3. If flat washers are included in hardware package place flat washer over stem of caster before installing casters into feet. NOTE: Flat washers are not required with all units.
4. Insert casters into bottom of rear caster dolly by placing stem of caster into holes provided. Apply pressure and twisting motion until casters snap into place (Figure 25).
5. With tank drain facing you, take caster foot marked with the letter A (Figure 26) and place in slot on left side of tank also marked with the letter A. Secure with screw provided (Figure 27).
6. Take caster foot marked with the letter B (Figure 28) and place in slot on right side of tank also marked with the letter B. Secure with screw provided (Figure 29).
7. Insert casters into feet by placing stem of casters into holes provided. Apply pressure and twisting motion until casters snap into place (Figure 30).
8. Return tank to upright position.
9. Place tool basket (not standard with all models) with curved surface against tank on rear caster dolly assembly (Figure 31).

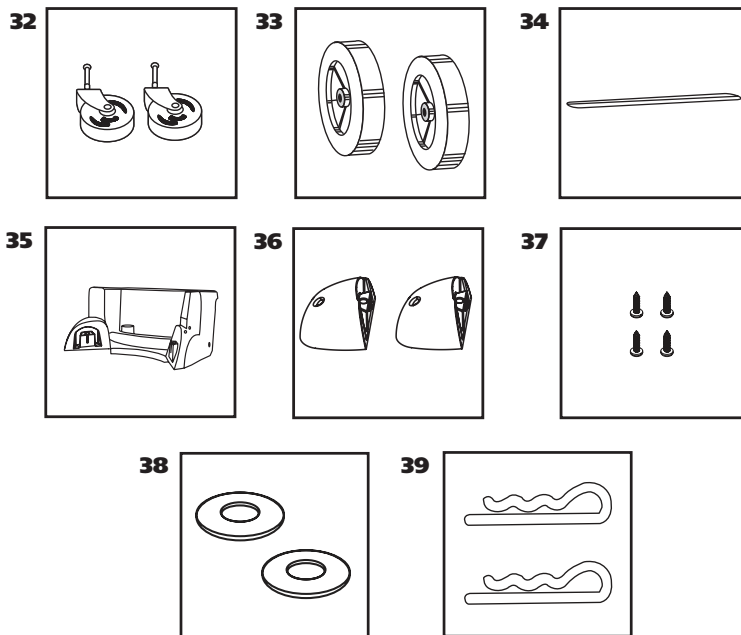




### Rear Wheel Dolly/Tool Holder And Front Caster Feet Assembly

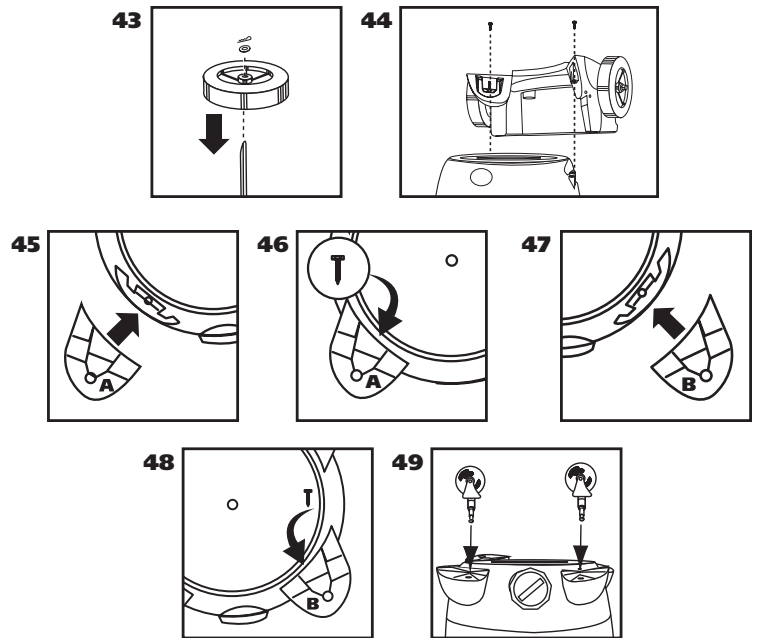
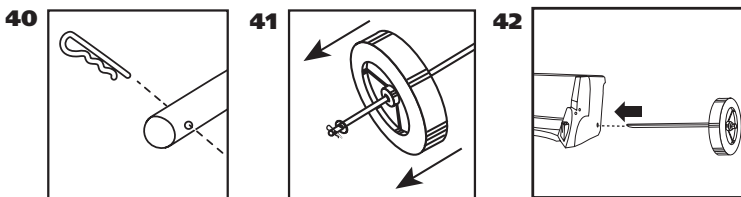
(Not standard with all models)

You will find two casters (Figure 32), two large rear wheels (Figure 33), one axle (Figure 34), rear dolly/basket (Figure 35), two caster feet (Figure 36), four screws (Figure 37), two washers (Figure 38), two hair pin clips (Figure 39). If your vacuum is 16 U.S. gallons (60.5 liters) or larger you will also find two screws, two metal flat washers and two square nuts with your wet/dry vacuum. Assemble as follows:



Assemble as follows:

1. With cord disconnected from receptacle and tank cover removed, turn tank upside down so that the bottom is facing up.
2. Place one hair pin clip in one end of axle (Figure 40). Slide one washer down the length of the axle to rest on the hair pin clip. Slide wheel onto axle next to washer (Figure 41). Be sure flat side of wheel hub is facing outward.
3. Slide axle through holes provided in dolly/basket (Figure 42).
4. Slide remaining wheel then washer onto axle. Insert hair pin clip into remaining hole in axle to hold wheel in place (Figure 43).
5. Take rear dolly assembly and place into slots (on rear of tank opposite drain) and secure with screws provided (Figure 44).
6. With tank drain facing you, take caster foot marked with the letter A (Figure 45) and place in slot on left side of tank also marked with the letter A and secure with screw provided (Figure 46).
7. Take caster foot marked with the letter B (Figure 47) and place in slot on right side of tank also marked with the letter B and secure with screw provided (Figure 48).
8. Insert casters into feet by placing stem of caster into holes provided. Apply pressure and twisting motion until casters snap into place (Figure 49).
9. Return tank to upright position.



## TOOL HOLDER

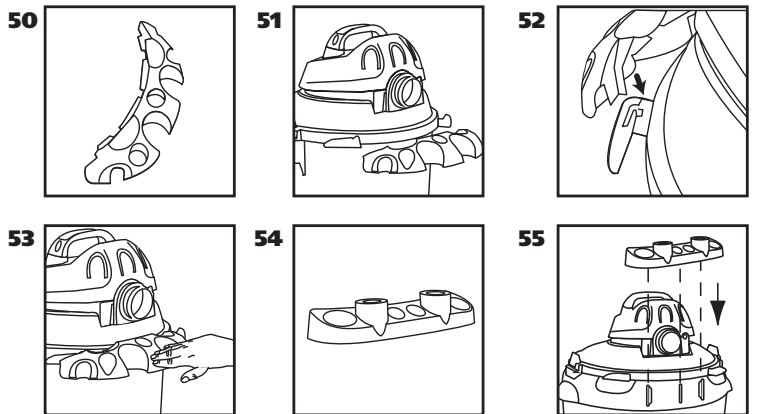
(Not standard with all models)

If your tool holder looks like the one pictured in Figure 50, follow these instructions.

1. With rear of unit facing you, take tool holder and position it with tabs facing rear of unit (Figure 51).
2. Place "J" shaped tabs into the slots on cord wraps (Figure 52).
3. Press down until tabs snap into place.
4. Press down on center of tool holder until tab latches on bottom lid (Figure 53).

If your tool holder looks like the one pictured in Figure 54, follow these instructions.

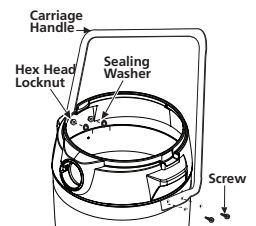
1. With rear of unit facing you, take tool holder and slide over notches on rear of tank (Figure 55).



## INSTALLING THE CARRIAGE HANDLE

(Not standard with all models)

Stand vacuum right side up. Place metal carriage handle outside of tank and under the side carrying handles. Be sure to spread the ends of the carriage handles when assembling to prevent damage to the tank. Align holes of carriage handle to holes in tank and fasten tightly with screws, washers, and nuts provided. The sealing washer and screw have a close fitting tolerance. Rubber side of sealing washer should fit against inside wall of tank. Failure to properly install rubber washer could result in water leakage or loss of performance. Replace the tank cover and clamp the lid latches securely.



## DRY PICK UP

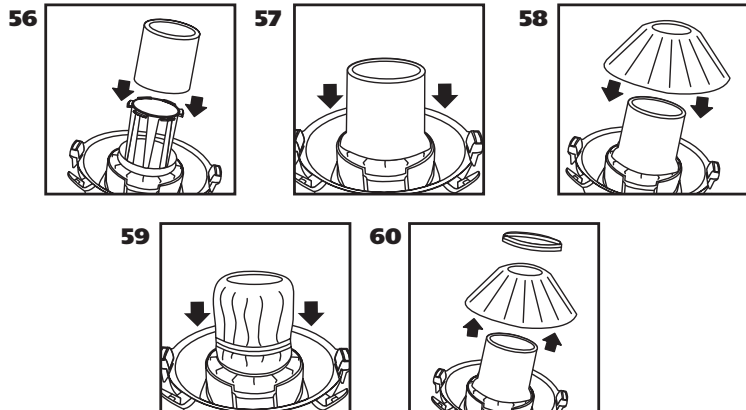
## INSTALLING FOAM SLEEVE AND REUSABLE DRY FILTER

(Not standard with all models)

**WARNING** – ALWAYS DISCONNECT THE PLUG FROM THE

## WALL OUTLET BEFORE REMOVING THE TANK COVER.

When using the reusable dry filter to pick up dust and dry material, you must install foam sleeve and reusable dry filter to ensure proper filtration. If the vacuum has been used to pick up liquids, the foam sleeve must be cleaned and dried before installing for dry pick up. With tank cover in an upside down position, slide foam sleeve down over lid cage pulling until foam sleeve completely covers lid cage (**Figures 56, 57**). Center the reusable dry filter on lid cage (**Figure 58**), slide mounting ring down over filter until ring is positioned against the ribs of the lid cage (**Figure 59**). The reusable dry filter should always be in position over the foam sleeve for dry pick up. To remove the filter for cleaning, remove mounting ring and filter from lid cage (**Figure 60**). To clean the reusable dry filter, shake off excess dirt and dust or (depending on the condition of the filter) rinse with water. Allow the filter to dry completely and re-install. **DO NOT MACHINE WASH OR DRY.**

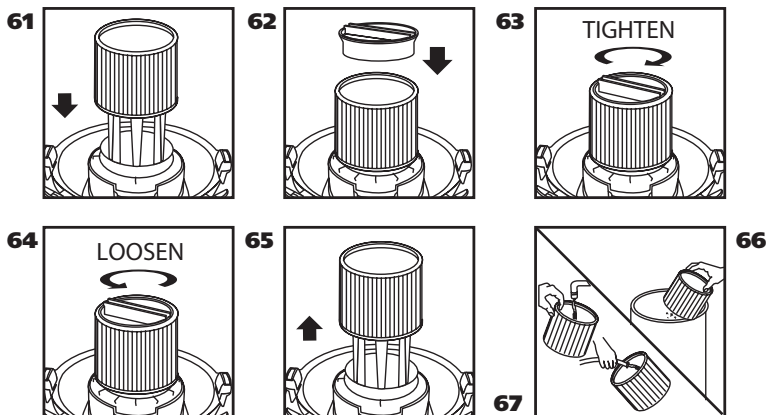


## INSTALLING THE CARTRIDGE FILTER

(Not standard with all models)

**NOTE:** If foam sleeve is in position over lid cage, it must be removed before installing cartridge filter.

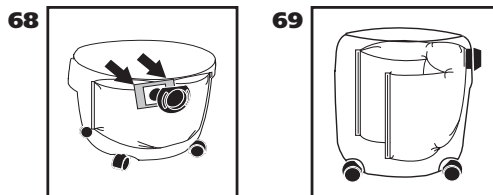
The cartridge filter can be used for wet or dry pick up; installation is the same for both. When picking up large quantities of liquid please refer to the Wet Pick Up Operation section in this manual. Use the cartridge filter in position over the lid cage for most general dry material pick up. With the tank cover in an upside down position, slide the cartridge filter down over the lid cage, pushing until the filter seals against the cover (**Figure 61**). Place filter retainer into the top of the cartridge filter, hold the tank cover with one hand, turn the handle on the filter retainer clockwise to tighten, locking the filter into place (**Figures 62 & 63**). To remove the filter for cleaning, again hold the tank cover and turn the filter retainer counter-clockwise to loosen and remove, slide the cartridge filter off the lid cage (**Figures 64 & 65**). To clean the cartridge filter shake or brush off excess dirt or rinse (from the inside of the filter) with water, dry completely (approximately 24 hours) and reinstall (**Figures 66 & 67**). **NOTE:** If the filter has been used for wet pick up, it must be cleaned and dried before using for dry pick up.



## INSTALLING THE DISPOSABLE FILTER BAG

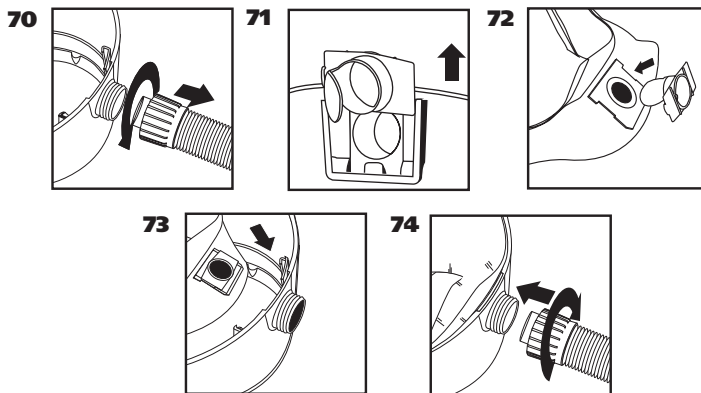
(Not standard with all models)

1. Use for dry pick up only. Use in conjunction with cartridge filter for picking up soot, cement, plaster or drywall dust.
2. With cord disconnected from receptacle, pull latches in an outward motion and remove tank cover.
3. Grasp cardboard collar firmly and slide rubber guard onto inlet fitting as far as possible (**Figure 68**).
4. When secured in place, expand bag and position around the inside of the tank (**Figure 69**).



(Not standard with all models)

1. Use the disposable filter bag in conjunction with the cartridge filter for easy disposal of the debris. The bag is not required for normal dry pick up. When picking up fine dust or powders a high efficiency filter bag (not standard with all models) must be used. **NOTE:** Use for dry pick up only.
2. With cord disconnected from the receptacle, pull latches in an outward motion and remove the tank cover.
3. Unscrew hose locking-nut and remove hose from inlet (**Figure 70**).
4. Remove the inlet deflector from the deflector guide. **NOTE:** Hose must be removed before the inlet deflector can be taken out (**Figure 71**).
5. Position the inlet deflector with the opening facing the left or the right side of the filter bag. Slide the filter bag collar over the inlet deflector, matching the notches of the bag collar to the tabs on the inlet deflector. Bag will only fit properly one way (**Figure 72**).
6. Slide the inlet deflector with the filter bag attached into the deflector guide (**Figure 73**).
7. Reinsert hose into inlet and tighten the locking-nut (**Figure 74**).
8. When secured in place, expand the filter bag and position around the inside of the tank. Replace tank cover. **NOTE:** When removing filter bag from tank, remove the inlet deflector from the filter bag collar. Reinstall inlet deflector into deflector guide. Inlet deflector must be in place for any type of cleaning.



### TEAR RESISTANT WET / DRY COLLECTION BAG

The tear resistant wet / dry collection bag can be used in conjunction with the cartridge filter for picking up dry debris. The bag is not required for dry pick up; however, it makes it easier to remove the debris and keeps the tank clean. When picking up fine dust or powders a high efficiency bag must be used. The high efficiency bags are for dry use only and do not come standard with this model.

The tear resistant wet / dry collection bag can also be used in conjunction with the foam sleeve when picking up liquids or using the pump feature. The bag traps medium to large debris that may be contained in the liquid, while allowing the liquid to flow through the bag and deposit into the vacuum's tank. The bag is not required for wet pick up, but it is recommended when the liquid contains debris that could damage the vacuum's motor. **NOTE:** If the bag is used for wet pick up, it must be removed from the tank and hung up to dry.

#### To install the bag:

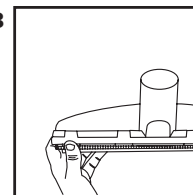
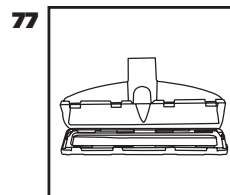
1. With cord disconnected from the receptacle, pull latches in an outward motion and remove the tank cover.
2. Unscrew hose locking-nut and remove hose from inlet (**Figure 70**).
3. Remove the inlet deflector from the deflector guide. **NOTE:** Hose must be removed before the inlet deflector can be taken out (**Figure 71**).
4. Position the inlet deflector with the opening facing the left or the right side of the filter bag. Slide the filter bag collar over the inlet deflector, matching the notches of the bag collar to the tabs on the inlet deflector. Bag will only fit properly one way (**Figure 72**).
5. Slide the inlet deflector with the filter bag attached into the deflector guide (**Figure 73**).
6. Reinsert hose into inlet and tighten the locking-nut (**Figure 74**).
7. When secured in place, expand the filter bag and position around the inside of the tank. Replace tank cover. **NOTE:** When removing filter bag from tank, remove the inlet deflector from the filter bag collar. Reinstall inlet deflector into deflector guide. Inlet deflector must be in place for any type of cleaning.
8. When secured in place, expand the filter bag and position around the inside of the tank. Replace tank cover.

#### To remove the bag:

1. If the bag was used for wet pick up, move the vacuum outside or to a floor that won't get damaged if the liquid drips onto it.
2. Make sure the cord is disconnected from the receptacle, the tank cover is removed and the hose is disconnected from the tank inlet.
3. Grasp the plastic collar firmly and pull the rubber guard off of the inlet fitting. Before removing the bag from the tank, insert the plastic tab connected to the collar into the bag opening.

- If the bag was used for dry pick up, simply grasp the plastic handle and remove from the tank.
- If the bag was used for wet pick up, grasp the plastic handle and slowly lift up on the bag. Allow the liquid to drain from the bag into the tank. If the bag is not full, hang it up and allow it to dry completely. Once dry, check the bag for tears or holes. If none are found the bag can be reinstalled.

**NOTE:** Additional collection bags are available at your local dealer or the Shop-Vac® website.



## WARNING FOR FINE DUST & POWDERS

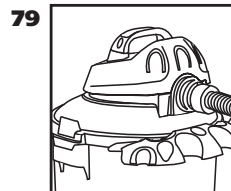
When vacuuming fine dust, or powders of any kind (ex. plaster, drywall dust, cold ashes, concrete dust, etc.), a **high efficiency drywall filter bag must be used**. When vacuuming normal household dust and debris, standard household disposable filter bags may be used. These "large bag" filters connect to the air inlet fitting on the inside of the vacuum tank.

FILTER SELECTION GUIDE			90107/Ⓢ REUSABLE DRY FILTER AND MOUNTING RING fits most Shop-Vac® Wet/Dry Vacuums.
SIZE	Fine dust Drywall	Standard Household	90585/Ⓡ FOAM FILTER SLEEVE fits most Shop-Vac® Wet/Dry Vacuum
5-8 U.S. Gal (18.9-30.3L) .....	90671/Ⓜ	90661/Ⓢ	
10-14 U.S. Gal (37.8-53L) .....	90672/Ⓛ	90662/Ⓢ	
15-22 U.S. Gal (56.8-83.2L) .....	90673/Ⓛ	90663/Ⓢ	
5-10 U.S. Gal. (18.9-37.8L) .....		90215/ⓇⓇ	
12-20 U.S. Gal. (18.9-37.8L) .....		90216/ⓈⓈ	

## BLOWER FEATURE

Your vacuum can be used as a powerful blower. To use your unit as a blower, clear hose of any obstruction. Insert machine hose end into blower port on rear of unit (**Figure 79**). Twist slightly to tighten the connection. Caution should be used when using as a blower due to the powerful force of air when using certain attachments.

**⚠ WARNING – ALWAYS WEAR EYE PROTECTION TO PREVENT ROCKS OR DEBRIS FROM BEING BLOWN OR RICOCHETING INTO THE EYES OR FACE, WHICH CAN RESULT IN SERIOUS INJURY.**



## WET PICK UP OPERATION

Remove ALL dirt and debris found in the tank. The vacuum requires only a minimum of conversion when going from dry to wet pick up. Remove all dry use filters from the vacuum. A clean cartridge filter may be used for vacuuming small amounts of liquids. For proper installation of the cartridge filter refer to Installing the Cartridge Filter. For best results when vacuuming large quantities of liquid, remove the cartridge filter. When vacuuming liquids containing debris, it is recommended purchasing a foam sleeve and install over filter cage; otherwise a foam sleeve is not required for wet pick up. Foam sleeve and additional filters may be purchased by visiting our website at [www.shopvac.com](http://www.shopvac.com), contacting our customer service department, or purchasing at your local Shop-Vac® distributor.

Misting in exhaust air may occur if the filter becomes saturated during wet pick up. If misting occurs, remove filter and allow to dry or, replace with another dry filter to eliminate the misting and possible dripping of liquid around the lid. Turn the unit off immediately upon completing a wet pick up job or when tank is full and ready to be emptied. Raise the hose to drain any excess liquid into the tank. The interior of the tank should be periodically cleaned.

The foam sleeve should be cleaned periodically as described in the following steps:

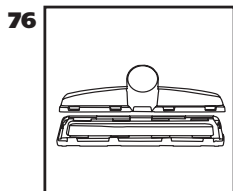
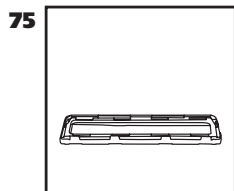
- Always disconnect the plug from the wall receptacle before removing the tank cover. Place tank cover in an upside down position. Remove foam sleeve by sliding it up and off the lid cage.
- Shake excess dust off foam sleeve with a rapid up and down movement.
- Hold foam sleeve under running water for a minute or two, rinsing from the inside. A water wash is not always required, depending on the condition of the foam sleeve.
- Gently wring out excess water, blot foam sleeve with a clean towel, and allow to dry. The foam sleeve is now ready to be reinstalled on the lid cage.

**NOTE:** WET PICK UP ACCESSORIES SHOULD BE WASHED PERIODICALLY, ESPECIALLY AFTER PICKING UP WET, STICKY KITCHEN ACCIDENTS. THIS CAN BE ACCOMPLISHED WITH A WARM SOLUTION OF SOAP AND WATER.

## INSTALLING BRUSH OR SQUEEGEE SHOE ONTO 14" (35.56 CM) NOZZLE

(Not standard with all models)

- Place shoe on flat surface with four tabs facing up and closest to you (**Figure 75**).
- Position nozzle over shoe with large opening facing down and side with four slots is closest to you (**Figure 76**).
- Place edge of nozzle under two clips on shoe, located on side farthest away from you (**Figure 77**).
- Push down on the nozzle to attach shoe to nozzle.
- Starting under left tab, push upward on bottom edge of shoe until tab snaps into place (**Figure 78**). Repeat with remaining tabs. Make sure four tabs are locked into place.
- Your nozzle with shoe is now ready for use.
- If you ever need to remove shoe, simply unsnap four tabs and carefully pull shoe away from nozzle starting on side with tabs.



## EMPTYING LIQUID WASTES FROM THE TANK

**Not all units are equipped with tank drains. Follow the instructions, which apply to your specific unit.**

### Without Tank Drain

Liquid waste may be emptied by removing the tank cover. To empty, stop the motor and remove the plug from the wall receptacle. Remove the tank cover and deposit the liquid waste contents in a suitable drain. After tank is empty, return the cover to its original position. To continue use, plug the cord into the wall receptacle and turn the unit on.

### With Tank Drain

Liquid waste may be emptied by removing the tank drain cap. To empty, turn unit off and remove plug from wall receptacle. Remove the drain cap and deposit the liquid waste contents in a suitable drain. After the tank is empty, return the drain cap to its original position. To continue use, plug the cord into the wall receptacle and turn the unit on.

## AUTOMATIC SUCTION SHUT-OFF

The vacuum is equipped with an automatic suction shut-off that operates when picking up liquids. As the level of the liquid rises in the tank, an internal float rises until it seats itself against a seal at the intake of the motor, shutting off suction. When this happens, the motor will develop a higher than normal pitch noise and the suction is drastically reduced. If this occurs, turn unit off immediately. Failure to turn unit off after float rises and shuts off suction will result in extensive damage to the motor. To continue use, empty the liquid waste from the tank as outlined in the previous paragraph.

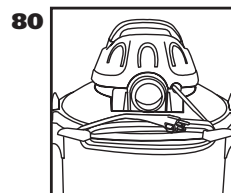
**NOTE:** IF ACCIDENTALLY TIPPED OVER, THE VACUUM COULD LOSE SUCTION. IF THIS OCCURS, PLACE VAC IN UPRIGHT POSITION AND TURN SWITCH OFF. THIS WILL ALLOW THE FLOAT TO RETURN TO ITS NORMAL POSITION, AND YOU WILL BE ABLE TO CONTINUE OPERATION.

## LUBRICATION

No lubrication is necessary as the motor is equipped with lifetime lubricated bearings.

## STORAGE

Before storing your vacuum cleaner the tank should be emptied and cleaned. The power cord can be wrapped around the cord wraps provided on the tank cover on rear of unit (**Figure 80**). Accessories may be stored in the tool holder (**not standard on all models**) so they can be readily available. **The vacuum should be stored indoors.**



## TROUBLESHOOTING

Trouble	Possible Cause	Remedy
Suction weakens or cleaner runs hot	Clogged filter	Brush dirt from filter. If condition continues, change filter.
	Air leak	Check all fittings for tight fit (nozzles, hose, etc.) Check that tank cover is sealed properly.
	Obstruction in hose or nozzle	Check nozzle, hose, etc. for obstructions, and remove if present.
Misting in the exhaust air	Saturated filter	Replace saturated filter with a dry filter.

**⚠ WARNING** – IF ANY OF THE MOTOR HOUSING PARTS SHOULD BECOME DETACHED OR BROKEN, EXPOSING THE MOTOR OR ANY OTHER ELECTRICAL COMPONENTS, OPERATION SHOULD BE DISCONTINUED IMMEDIATELY TO AVOID PERSONAL INJURY OR FURTHER DAMAGE TO THE VACUUM. REPAIRS SHOULD BE MADE BEFORE REUSING THE VACUUM.

## FIVE YEAR HOME USE WARRANTY

Your Shop-Vac® vacuum cleaner is warranted for normal household use, in accordance with the User Manual, against original defects in material and workmanship for a period of five years from date of purchase. Should this product be used for commercial or rental use, a 90 day limited warranty will apply. Shop-Vac Corporation warrants placing this vacuum cleaner in correct operating condition, by repair or parts replacement, during the warranty period, without charge. This warranty does not cover accessories. Use of non-recommended filters and/or accessories may void the manufacturer's warranty. Shop-Vac® assumes no responsibility for damage or faulty performance caused by misuse, careless handling, and where repairs or modifications have been made. Do not attempt to service your vacuum beyond that described in the User Manual. Proof of purchase date is required. The warranty gives you specific legal rights, and you may have other rights which vary from state to state or province to province. This warranty is void outside of the United States and Canada.

Customers in the United States: for product service contact Shop-Vac Corporation, Customer Service, at (570) 326-3557 or go to [www.shopvac.com/support](http://www.shopvac.com/support). Visit [www.shopvac.com](http://www.shopvac.com) for your vacuum's parts list schematic.

Customers in Canada: for product service return the complete unit, (transportation prepaid), to the Authorized Shop-Vac® Service Center nearest you. Visit [www.shopvac.ca](http://www.shopvac.ca) for a complete list of Authorized Service Centers in your area.

Customers in Mexico: for product service see paperwork that came with your unit.

# CONSIGNES DE SÉCURITÉ IMPORTANTES

Lorsque vous utilisez un appareil électrique, vous devez suivre les précautions de base, notamment les suivantes : **LIRE TOUTES LES INSTRUCTIONS AVANT D'UTILISER CET APPAREIL.**

## ⚠️ AVERTISSEMENT – POUR RÉDUIRE LES RISQUES D'INCENDIE, DE CHOC ÉLECTRIQUE OU DE BLESSURE :

1. Ne laissez pas l'appareil sans surveillance lorsqu'il est branché. Débranchez-le de la prise lorsqu'il n'est pas utilisé ou avant de le réparer. Branchez-le uniquement à une prise correctement mise à la terre. Reportez-vous aux instructions de mise à la terre.
2. N'exposez pas l'appareil à la pluie – entreposez-le à l'intérieur.
3. Cet appareil n'est pas un jouet et ne doit pas être utilisé en tant que tel. Des précautions particulières doivent être prises lorsqu'il est utilisé par des enfants ou à proximité.
4. Utilisez l'aspirateur uniquement de la façon décrite dans ce guide. Utilisez seulement les accessoires recommandés par le fabricant.
5. N'utilisez pas l'aspirateur si le cordon d'alimentation ou la fiche sont endommagée. Si l'appareil ne fonctionne pas normalement parce qu'il a été échappé, endommagé, laissé à l'extérieur ou échappé dans l'eau, contactez Shop-Vac Corporation pour obtenir de l'aide.
6. Ne le tirez pas ou ne le transportez pas par le cordon d'alimentation; n'utilisez pas le cordon d'alimentation en guise de poignée; ne fermez pas une porte sur le cordon et ne tirez pas le cordon sur des arêtes ou des angles vifs. Ne faites pas rouler l'appareil sur le cordon d'alimentation. Tenez le cordon d'alimentation à l'écart des surfaces chauffées.
7. Ne débranchez pas l'appareil en tirant le cordon d'alimentation. Pour le débrancher, saisissez la fiche et non pas le cordon.
8. Ne touchez pas la fiche ou l'appareil avec les mains mouillées.
9. N'insérez aucun objet dans les orifices. N'utilisez pas l'appareil si un orifice est bouché; maintenez les orifices exempts de poussière, peluches, cheveux ou autres matières qui pourraient réduire le débit d'air.
10. Tenez vos cheveux, vos vêtements s'ils sont amples, vos doigts et toutes autres parties du corps à l'écart des orifices et des pièces en mouvement.
11. N'utilisez pas l'aspirateur pour ramasser quelque chose qui brûle ou fume, comme des cigarettes, des allumettes ou des cendres.
12. N'utilisez pas l'aspirateur sans sac à poussières et/ou filtres en place.
13. Désactivez toutes les commandes avant de le débrancher.
14. Prenez des précautions particulières lorsque vous passez l'aspirateur sur des escaliers.
15. N'utilisez pas l'aspirateur pour ramasser des liquides inflammables ou combustibles tels que de l'essence ou à proximité de tels liquides.
16. N'utilisez pas votre aspirateur pour pulvériser des liquides inflammables tels que des peintures à l'huile, des laques, des produits nettoyants ménagers, etc.
17. N'utilisez pas l'appareil pour ramasser des matières toxiques, cancérigènes, combustibles ou autres matières dangereuses telles que l'amiante, l'arsenic, le baryum, le béryllium, le plomb, les pesticides et autres produits à risque pour la santé. Il existe des appareils spécialement conçus à cet effet.
18. N'utilisez pas l'aspirateur pour ramasser de la suie, du ciment, du plâtre ou de la poussière de cloison sèche si le filtre à cartouche et le sac filtrant collecteur ne sont pas en place. Ces particules très fines pourraient passer à travers la mousse et altérer l'efficacité du moteur ou être évacuées de nouveau dans l'air. Vous pouvez vous procurer des sacs filtrants collecteurs supplémentaires.
19. Ne laissez pas le cordon d'alimentation traîner sur le sol lorsque vous avez fini votre nettoyage. Il pourrait faire trébucher quelqu'un.
20. Prenez des précautions particulières pour vider les cuves très chargées.
21. Pour éviter toute combustion spontanée, videz la cuve après chaque utilisation.
22. L'utilisation d'un aspirateur industriel peut faire voler des objets étrangers et causer des blessures oculaires. Portez toujours des lunettes de protection lorsque vous utilisez l'aspirateur.
23. **DEMEUREZ VIGILANT.** Agissez en faisant attention et faites preuve de bon sens. N'utilisez pas l'aspirateur lorsque vous êtes fatigué, distrait ou avec les facultés affaiblies par la prise de drogue, d'alcool ou de médicaments qui altèrent la maîtrise de soi.
24. **AVERTISSEMENT!** N'utilisez **PAS** cet aspirateur pour ramasser des débris de peinture à base de plomb, car ceci peut disperser de fines particules de plomb dans l'air. Cet aspirateur n'est pas conçu pour l'utilisation lors du nettoyage de matériel de peinture à base de plomb sous le règlement 40 CFR pièce 745 d'EPA.

## CONSERVEZ CES INSTRUCTIONS.

⚠️ **AVERTISSEMENT – NE LAISSEZ PAS L'ASPIRATEUR SANS SURVEILLANCE LORSQU'IL EST BRANCHÉ ET/OU EN FONCTIONNEMENT. DÉBRANCHEZ-LE LORSQUE VOUS NE L'UTILISEZ PAS.**

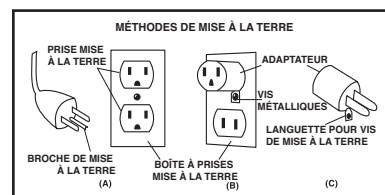
## INSTRUCTIONS DE MISE À LA TERRE

Cet appareil doit être mis à la terre. S'il fonctionne mal ou s'il tombe en panne, la mise à la terre fournit un chemin de moindre résistance au courant électrique et réduit le risque de choc électrique. Cet appareil est équipé d'un cordon d'alimentation muni d'un conducteur de mise à la terre d'équipement et d'une fiche de mise à la terre. La fiche doit être insérée dans une prise appropriée correctement installée et mise à la terre conformément aux ordonnances et aux codes locaux.

⚠️ **AVERTISSEMENT – UN BRANCHEMENT INAPPROPRIÉ DU CONDUCTEUR DE MISE À LA TERRE D'ÉQUIPEMENT PEUT ENTRAÎNER UN RISQUE DE CHOC ÉLECTRIQUE. EN CAS DE DOUTE SUR LA MISE À LA TERRE DE LA PRISE DE COURANT, CONSULTEZ UN ÉLECTRICIEN OU UN TECHNICIEN QUALIFIÉ. NE MODIFIEZ PAS LA FICHE FOURNIE AVEC L'APPAREIL – SI ELLE N'EST PAS ADAPTÉE À LA PRISE DE COURANT, FAITES INSTALLER UNE PRISE APPROPRIÉE PAR UN ÉLECTRICIEN QUALIFIÉ.**

Cet appareil doit être utilisé sur un circuit nominal de 120 volts. Il est muni d'une fiche mise à la terre du type de celle qui est illustrée dans le **schéma A**. Vous pouvez utiliser un adaptateur provisoire du type de l'adaptateur illustré dans les **schémas B et C** pour brancher cette fiche à une prise 2 pôles, tel qu'illustré dans le **schéma B**, si une prise correctement mise à la terre n'est pas disponible. L'adaptateur temporaire ne peut être utilisé que si une prise de courant correctement mise à la terre (**schéma A**) peut être installée par un électricien qualifié. La patte, le taquet ou autre partie saillante rigide de couleur verte de l'adaptateur doit être connectée à une terre permanente telle qu'un couvercle de boîte à prises correctement mis à la terre. Chaque fois que l'adaptateur est utilisé, il doit être maintenu en place par une vis métallique.

AU CANADA, L'UTILISATION D'UN ADAPTATEUR PROVISOIRE N'EST PAS AUTORISÉE PAR LE CODE CANADIEN DE L'ÉLECTRICITÉ. Assurez-vous que l'appareil est relié à une sortie ayant la même configuration que la prise. Aucun adaptateur ne devrait être utilisé avec cet appareil.



## RALLONGES

Lorsque vous passez l'aspirateur à une distance qui nécessite l'utilisation d'une rallonge, vous devez utiliser un cordon de mise à la terre à 3 conducteurs de calibre adéquat pour assurer la sécurité et empêcher la perte de puissance et la surchauffe de l'appareil. Utilisez le tableau ci-après pour déterminer le calibre de fil AWG requis. Pour déterminer l'intensité nominale de votre aspirateur, reportez-vous à la plaque située à l'arrière du capot du moteur. Avant d'utiliser l'appareil, inspectez le cordon d'alimentation pour déceler les fils desserrés ou exposés et les dommages d'isolation éventuels. Procédez à toutes les réparations et à tous les remplacements nécessaires avant d'utiliser votre appareil. Utilisez uniquement les rallonges extérieures à trois fils munies de fiches de mise à la terre à trois broches et les prises de courant trois pôles qui acceptent la fiche de la rallonge. Lorsque vous utilisez votre aspirateur pour ramasser des liquides, assurez-vous que le branchement de la rallonge ne vient pas en contact avec pas le liquide.

**REMARQUE : LES DÉCHARGES STATIQUES SONT COURANTES DANS LES ENDROITS SECS OU LORSQUE L'HUMIDITÉ RELATIVE DE L'AIR EST FAIBLE. IL S'AGIT DE CONDITIONS TEMPORAIRES QUI N'AFECTENT PAS L'UTILISATION DE L'APPAREIL. LA MEILLEURE SOLUTION POUR RÉDUIRE LA FRÉQUENCE DES DÉCHARGES STATIQUES DANS VOTRE MAISON CONSISTE À HUMIDIFIER L'AIR À L'AIDE D'UN HUMIDIFICATEUR À POSER OU FIXE.**

Volts	Longueur totale du cordon en pieds				
	25	50	100	150	
120V					
Intensité nominale Plus de Pas plus de	AWG				
	0 - 6	18	16	16	14
	6 - 10	18	16	14	12
	10 - 12	16	16	14	12
	12 - 16	14	12	Non recommandé	

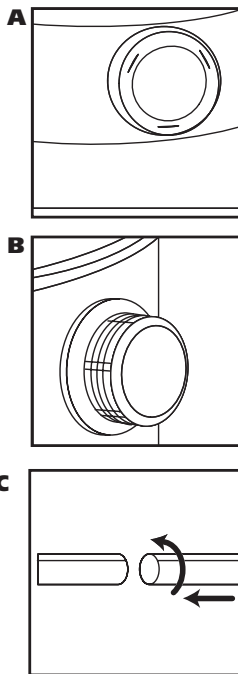


## DÉBALLAGE ET ASSEMBLAGE

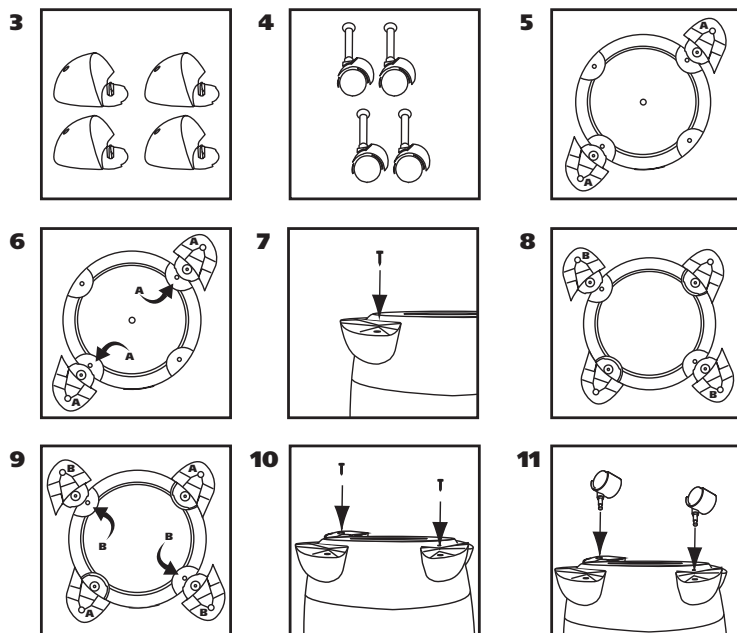
1. Tirez les verrous du couvercle vers l'extérieur, retirez le couvercle de la cuve et tous les accessoires expédiés dans la cuve.
2. Fixez le système de roulettes conformément aux instructions et aux illustrations contenues dans ce manuel.
3. Avant de replacer le couvercle de la cuve, reportez-vous à la rubrique. Ramassage de déchets humides de ce manuel afin de vous assurer que les filtres appropriés à votre travail de nettoyage sont installés sur votre appareil.
4. Remplacez le couvercle du réservoir et appuyez sur chaque verrou avec votre pouce jusqu'à ce qu'il s'encliquette en place. Assurez-vous que tous les verrous du couvercle sont solidement fixés.
5. Insérez l'extrémité du tuyau souple de l'appareil dans l'orifice d'admission de la cuve. Tournez-la légèrement pour serrer le raccord (**Figure A**). Admission a ajustement serre.
6. Insérez l'extrémité appareil du tuyau comportant le contre-écrou dans l'admission située sur la face avant du réservoir. Tournez le contre-écrou pour le serrer. Ne serrez pas trop. (**Figure B**). Admission Lock-On®
7. Branchez les rallonges (**non standard sur tous les modèles**) à l'extrémité de l'accessoire du tuyau souple. Tournez-les légèrement pour serrer le raccord (**Figure C**).
8. Fixez l'un des accessoires de nettoyage (selon vos besoins de nettoyage) aux souple. Tournez-le légèrement pour serrer le raccord (**Figure C**).
9. Branchez le cordon d'alimentation dans la prise murale. Votre aspirateur est prêt à être utilisé.

I = MARCHE, O = ARRÊT

**REMARQUE :** DE NOMBREUX AUTRES OUTILS UTILES SONT DISPONIBLES CHEZ VOTRE DÉTAILLANT LOCAL OU SUR LE SITE WEB DE SHOP-VACMD.



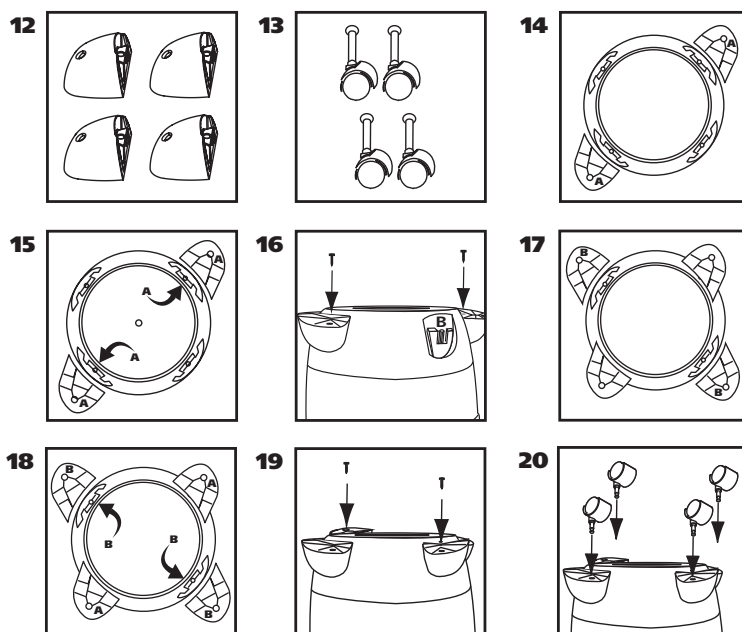
5. Insérez les roulettes dans les pieds en plaçant la tige de roulette dans les trous prévus à cet effet. Appuyez et tournez jusqu'à ce que les roulettes s'encliquettent en place (**Figure 11**).
6. Remettez la cuve à l'endroit.



Si vos pieds de roulettes sont semblables à ceux illustrés à la **Figure 12**, suivez ces instructions.

Quatre pieds de roulettes (**Figure 12**), quatre roulettes (**Figure 13**) et quatre vis sont compris avec votre aspirateur pour déchets secs et humides. Assemblez-les comme suit :

1. Tandis que le cordon d'alimentation est débranché de la prise de courant et le couvercle de la cuve est retiré, retournez la cuve de façon à ce que la base soit orientée vers le haut.
2. Tandis que la cuve vous fait face, saisissez les pieds de roulettes désignés par la lettre A (**Figure 14**) et insérez-les dans les encoches avant gauche et arrière droit de la cuve également désignés par la lettre A (**Figure 15**). Fixez à l'aide des vis fournies (**Figure 16**).
3. Saisissez les pieds de roulette désignés par la lettre B (**Figure 17**) et insérez-les dans les encoches avant droit et arrière gauche de la cuve également désignées par la lettre B (**Figure 18**). Fixez à l'aide des vis fournies (**Figure 19**).
4. Si le paquet de pièces de fixation contient des rondelles plates, placez une rondelle plate sur la tige de la roulette avant d'installer les roulettes dans les pieds. **REMARQUE :** Les rondelles plates ne sont pas requises pour tous les appareils.
5. Insérez les roulettes dans les pieds en plaçant la tige de roulette dans les trous prévus à cet effet. Appuyez et tournez jusqu'à ce que les roulettes s'encliquettent en place (**Figure 20**). Remettez la cuve à l'endroit.



### Avec chariot et porte-accessoires à roulettes arrière

Quatre roulettes (**Figure 21**), deux pieds de roulettes (**Figure 22**), un porte-accessoires à roulettes arrière (**Figure 23**) et quatre vis sont compris avec votre aspirateur pour déchets secs et humides. Assemblez-les comme suit :

## ASSEMBLAGE DU SYSTÈME DE ROULETTES

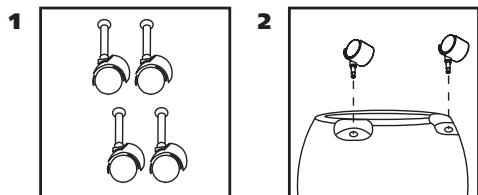
Tous les appareils ne sont pas équipés du même système de roulettes. Suivez les instructions qui s'appliquent à votre appareil spécifique.

### Sans pieds de roulettes

Quatre roulettes (**Figure 1**) sont comprises avec votre aspirateur pour déchets secs et humides.

Assemblez-les comme suit :

1. Tandis que le cordon d'alimentation est débranché de la prise de courant et le couvercle de la cuve est retiré, retournez la cuve de façon à ce que la base soit orientée vers le haut.
2. Insérez les roulettes dans la base de la cuve en plaçant la tige de roulette dans les trous prévus à cet effet. Appuyez et tournez jusqu'à ce que les roulettes s'encliquettent en place (**Figure 2**).
3. Remettez la cuve à l'endroit.

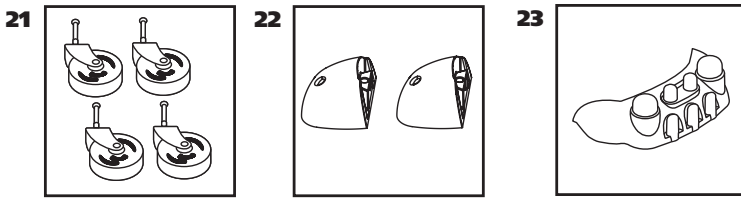


### Avec pieds de roulettes

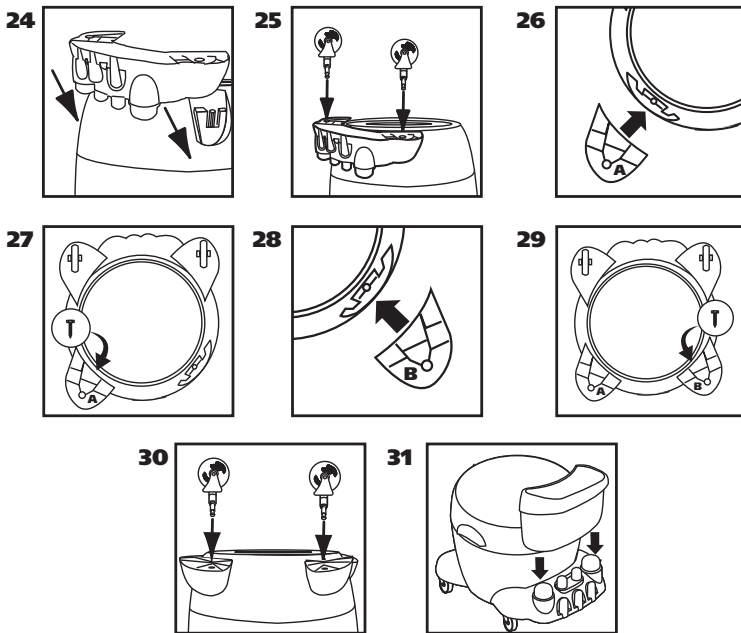
Si vos pieds de roulettes sont semblables à ceux illustrés à la **Figure 3**, suivez ces instructions.

Quatre pieds de roulettes (**Figure 3**), quatre roulettes (**Figure 4**) et quatre vis sont compris avec votre aspirateur pour déchets secs et humides. Assemblez-les comme suit :

1. Tandis que le cordon d'alimentation est débranché de la prise de courant et le couvercle de la cuve est retiré, retournez la cuve de façon à ce que la base soit orientée vers le haut.
2. Retirez toute sangle attachant les pieds de roulettes ensemble.
3. Tandis que l'avant de l'orifice d'admission vous fait face, saisissez les pieds de roulettes désignés par la lettre A (**Figure 5**) et insérez la tige du pied de roulette dans les trous avant gauche et arrière droit de la cuve également désignés par la lettre A (**Figure 6**). Assurez-vous que les pieds de roulettes sont complètement insérés dans la base de la cuve et fixez-les à l'aide des vis fournies (**Figure 7**).
4. Saisissez les pieds de roulettes désignés par la lettre B (**Figure 8**) et insérez la tige du pied de roulette dans les trous avant droit et arrière gauche de la cuve également désignés par la lettre B (**Figure 9**). Assurez-vous que les pieds de roulettes sont complètement insérés dans la base de la cuve et fixez-les à l'aide des vis fournies (**Figure 10**).



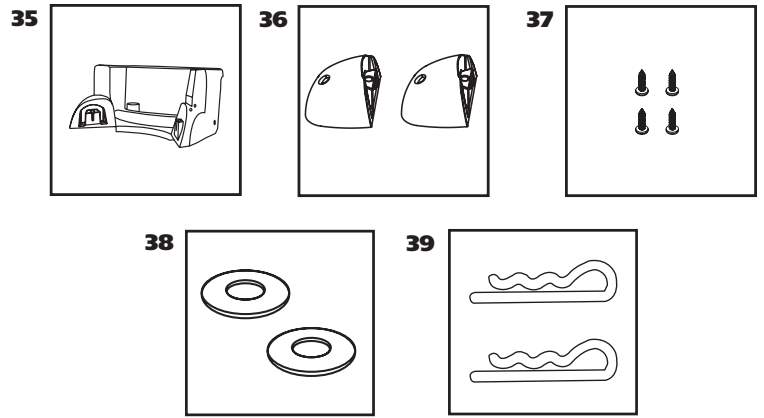
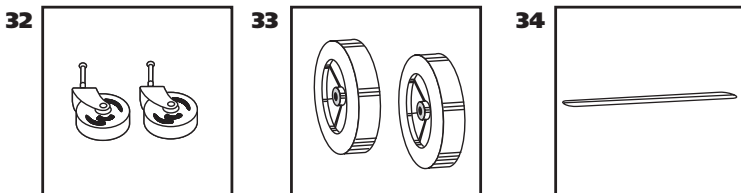
1. Tandis que le cordon d'alimentation est débranché de la prise de courant et le couvercle de la cuve est retiré, retournez la cuve de façon à ce que la base soit orientée vers le haut.
2. Saisissez le chariot à roulettes arrière et placez-le dans les encoches (situées sur l'arrière de la cuve, à l'opposé du drain de vidange), puis fixez-le à l'aide des vis fournies (**Figure 24**).
3. Si des rondelles plates sont fournies dans le paquet de pièces de fixation, placez une rondelle plate sur la tige de la roulette avant d'installer les roulettes dans les pieds.  
**REMARQUE** : Les rondelles plates ne sont pas requises pour tous les appareils.
4. Insérez les roulettes dans la base du chariot à roulettes arrière en plaçant la tige de roulette dans les trous prévus à cet effet. Appuyez et tournez jusqu'à ce que les roulettes s'encliquettent en place (**Figure 25**).
5. Tandis que le drain de vidange vous fait face, saisissez les pieds de roulette désignée par la lettre A (**Figure 26**) et insérez-les dans l'encoche située sur le côté gauche de la cuve également désignée par la lettre A. Fixez avec les vis fournies. (**Figure 27**).
6. Saisissez le pied de roulette désigné par la lettre B (**Figure 28**) et insérez-le dans l'encoche située sur le côté droit de la cuve également désignée par la lettre B. Fixez avec les vis fournies (**Figure 29**).
7. Insérez les roulettes dans les pieds en plaçant la tige des roulettes dans les trous prévus à cet effet. Appuyez et tournez jusqu'à ce que les roulettes s'encliquettent en place (**Figure 30**).
8. Remettez la cuve à l'endroit.
9. Placez le panier de rangement d'outils (**non standard avec tous les modèles**) avec la face courbée contre la cuve, sur l'assemblage du chariot à roulettes arrière (**Figure 31**).



#### ASSEMBLAGE DU CHARIOT À ROULETTES ARRIÈRE, DU PORTE-ACCESSOIRES ET DES PIEDS À ROULETTE AVANT

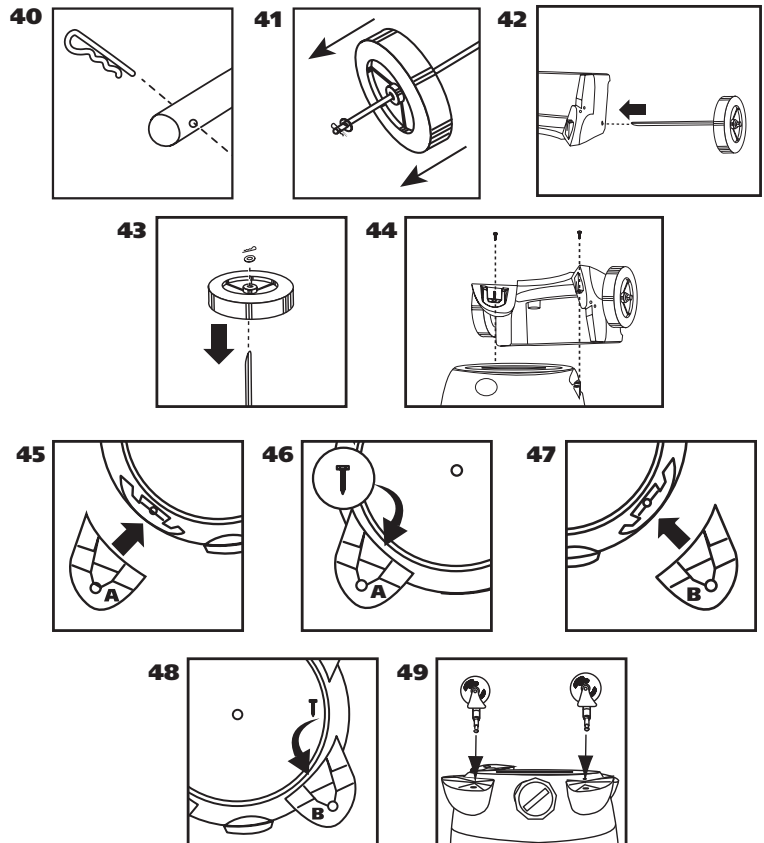
(Non standard avec tous les modèles)

Vous trouverez deux roulettes (**Figure 32**), deux grandes roues arrière (**Figure 33**), un essieu (**Figure 34**), un chariot arrière/panier (**Figure 35**), deux roulettes (**Figure 36**) quatre vis (**Figure 37**), deux rondelles (**Figure 38**), et deux bagues de retenue (**Figure 39**). Si votre aspirateur comporte 16 gallons (60,5 litres) ou plus, vous trouverez également deux vis, deux rondelles métalliques et deux écrous carrés avec votre aspirateur sec/humide.



Assemblez comme suit :

1. Le cordon électrique de l'aspirateur étant débranché de la prise de courant et le couvercle de la cuve étant déposé, tourner la cuve à l'envers de façon que son fond soit orienté vers le haut.
2. Placez une bague de retenue à une extrémité de l'essieu (**Figure 40**). Faites glisser une rondelle le long de l'essieu de manière à ce qu'elle repose sur la bague de retenue. Faites glisser la roue sur l'essieu, à côté de la rondelle (**Figure 41**) Assurez-vous que le côté plat du moyeu de la roue est tourné vers l'extérieur.
3. Deslice el eje a través de los orificios suministrados en la carretilla/cesta (**Figure 42**).
4. Faites glisser le reste de la roue puis la rondelle sur l'essieu. Insérez la bague de retenue dans l'orifice restant de l'essieu pour faire tenir la roue en place (**Figure 43**).
5. Prendre le chariot arrière et le poser dans les fentes (à l'arrière de la cuve, à l'opposé du trou de vidage). Le faire tenir avec les vis fournies (**Figure 44**).
6. Le bouchon de la cuve étant orienté vers soi, prendre le pied à roulette marqué A (**Figure 45**) et le poser dans la fente à gauche de la cuve, également marquée A. Le faire tenir avec la vis fournie (**Figure 46**).
7. Prendre le pied à roulette marqué B (**Figure 47**) et le poser dans la fente à droite de la cuve, également marquée B. Le faire tenir avec la vis fournie (**Figure 48**).
8. Insérer les roulettes en plaçant la tige dans les trous fournis. Appliquer une pression ainsi qu'un mouvement de torsion jusqu'à ce que les roulettes s'enclenchent en place (**Figure 49**).
9. Remettre la cuve à l'endroit.



#### PORTE-ACCESSOIRES

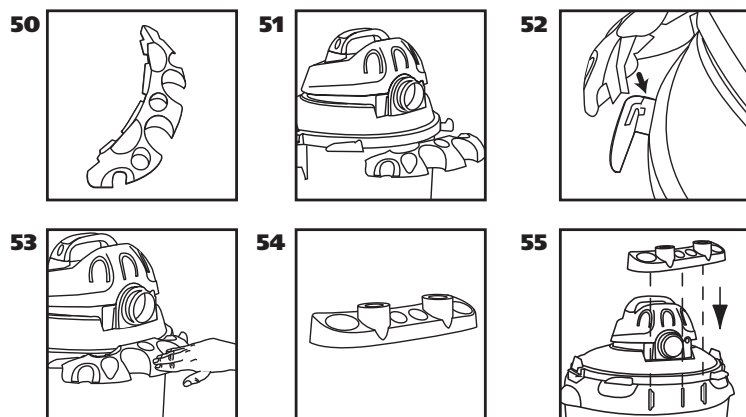
(Non standard avec tous les modèles)

Si votre porte-accessoires est semblable à celui illustré à la **Figure 50**, suivez les instructions ci-après.

1. Tandis que l'arrière de l'appareil vous fait face, saisissez le porte-accessoires et positionnez-le de sorte que les languettes se trouvent face à l'arrière de l'appareil (Figure 51).
2. Placez les languettes en forme de « J » dans les encoches situées sur les supports de cordon d'alimentation (Figure 52).
3. Appuyez sur les languettes jusqu'à ce qu'elles s'encliquettent en place.
4. Appuyez sur le centre du porte-accessoires jusqu'à ce que la languette se bloque sur le bas du couvercle (Figure 53).

Si votre porte-accessoires est semblable à celui illustré à la Figure 54, suivez les instructions ci-après.

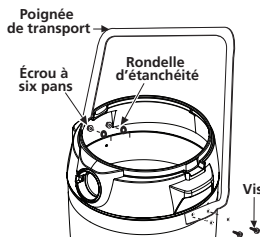
1. Tandis que l'arrière de l'appareil vous fait face, saisissez le porte-accessoires et faites-le glisser sur les encoches situées à l'arrière de l'appareil (Figure 55).



## POSE DE LA POIGNÉE DE TRANSPORT

(N'est pas de série avec tous les modèles)

L'aspirateur doit être en position verticale. Positionnez la poignée en métal à l'extérieur du réservoir, en plaçant les bouts sous les poignées latérales. S'assurer d'écarter les bouts de la poignée de transport pendant l'assemblage pour éviter d'endommager le réservoir. Aligner les trous encochés dans la poignée de transport à ceux du réservoir et fixer en serrant les vis, les rondelles et les écrous fournis. La rondelle d'étanchéité et la vis peuvent tolérer un ajustement serré. Le côté en caoutchouc de la rondelle d'étanchéité devra s'ajuster contre le mur intérieur du réservoir. Si la rondelle n'était pas posée correctement, une fuite d'eau ou une perte de rendement pourrait en résulter. Replacer le couvercle du réservoir et rabaisser solidement les verrous de fixation.



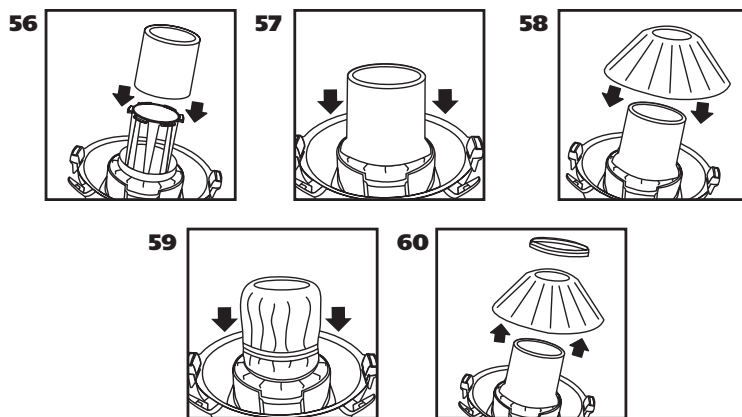
## RAMASSAGE DE DÉCHETS SECS

## INSTALLATION DU MANCHON EN MOUSSE ET DU FILTRE RÉUTILISABLE POUR LE RAMASSAGE DE DÉCHETS SECS

(Non standard avec tous les modèles)

**AVERTISSEMENT – DÉBRANCHEZ TOUJOURS LA FICHE DE LA PRISE MURALE AVANT DE RETIRER LE COUVERCLE DE LA CUVE.**

Lorsque vous utilisez un filtre réutilisable pour le ramassage des poussières et des matières sèches, vous devez installer le manchon en mousse et le filtre réutilisable pour déchets secs pour assurer une filtration appropriée. Si l'aspirateur a été utilisé pour ramasser les déchets humides, le manchon en mousse doit être nettoyé et séché avant de l'installer pour ramasser des déchets secs. Tandis que le couvercle de la cuve est à l'envers, faites glisser le manchon en mousse sur le logement du couvercle en tirant jusqu'à ce que le manchon en mousse recouvre complètement le logement du couvercle (Figures 56, 57). Centrez le filtre réutilisable pour déchets secs (Figure 58), faites glisser l'anneau de montage vers le bas, sur le filtre, jusqu'à ce qu'il se trouve sur les arêtes du logement du couvercle (Figure 59). Le filtre réutilisable pour déchets secs devrait toujours être placé sur le manchon en mousse lors du ramassage de déchets secs. Pour enlever le filtre aux fins de nettoyage, retirez l'anneau de montage et le filtre du logement du couvercle (Figure 60). Pour nettoyer le filtre réutilisable pour déchets secs, secouez le filtre afin d'enlever l'excès de saleté ou de poussière ou (selon l'état du filtre), rincez-le à l'eau. Laissez le filtre sécher complètement avant de le réinstaller. NE LE LAVEZ PAS À LA MACHINE OU NE LE SÉCHEZ PAS À LA SÉCHEUSE.

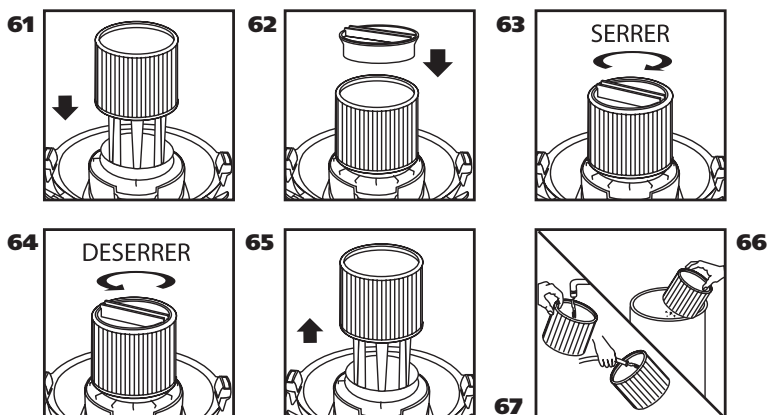


## INSTALLATION DU FILTRE À CARTOUCHE

(Non standard avec tous les modèles)

**REMARQUE :** Si le manchon en mousse se trouve sur le logement du couvercle, il doit être retiré avant l'installation du filtre à cartouche.

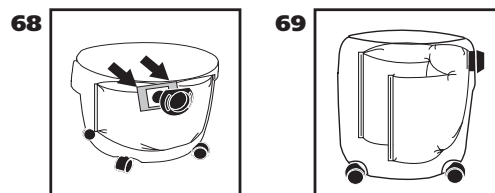
Le filtre à cartouche peut être utilisé tant pour le de déchets secs.; l'installation est identique pour les deux usages. Si vous devez ramasser de grandes quantités de liquides, veuillez vous reporter à la rubrique Ramassage de déchets humides de ce manuel. Maintenez le filtre à cartouche sur le logement du couvercle pour le ramassage de la plupart des déchets secs. Tandis que le couvercle de la cuve est à l'envers, faites glisser le filtre à cartouche vers le bas, sur le logement du couvercle, en poussant jusqu'à ce que le filtre soit scellé contre le couvercle (Figure 61). Placez le dispositif de retenue du filtre dans le dessus du filtre à cartouche, saisissez le couvercle de la cuve avec une main, tournez la poignée située sur le dispositif de retenue du filtre dans le sens des aiguilles d'une montre pour serrer et bloquer le filtre en place (Figures 62 et 63). Pour retirer le filtre aux fins de nettoyage, saisissez de nouveau le couvercle de la cuve avec une main et tournez le dispositif de retenue du filtre dans le sens inverse des aiguilles d'une montre pour le desserrer et le retirer; dégagez le filtre à cartouche hors du logement du couvercle (Figures 64 et 65). Pour nettoyer le filtre à cartouche, secouez-le ou brossez-le pour enlever l'excès de saleté ou rincez-le (de l'intérieur du filtre) à l'eau; laissez le sécher complètement (pendant 24 heures environ) et réinstallez-le (Figures 66 et 67). **REMARQUE :** Si le filtre a été utilisé pour le ramassage de déchets humides, il doit être nettoyé et séché avant d'être utilisé pour le ramassage des déchets secs.



## INSTALLATION DU JETABLE

(Non standard avec tous les modèles)

1. Ce sac ne doit être utilisé que pour le ramassage des déchets secs. Pour le ramassage de la suie, du ciment, du plâtre ou de la poussière de cloison sèche, ce sac doit être utilisé avec le filtre à cartouche.
2. Tandis que le cordon est débranché de la prise de courant, tirez les verrous du couvercle vers l'extérieur et retirez le couvercle de la cuve.
3. Saisissez fermement le collier en carton et faites glisser la protection en caoutchouc sur le raccord de l'orifice d'admission, aussi loin que possible (Figure 68).
4. Lorsqu'il est en place, étirez le sac et positionnez-le autour de l'intérieur de la cuve (Figure 69).



# INSTALLATION DU SAC FILTRANT JETABLE

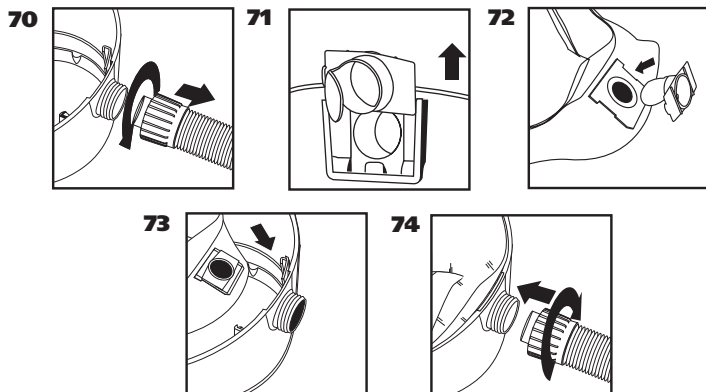
(Non standard avec tous les modèles)

1. Utilisez le sac filtrant jetable en conjonction avec la cartouche filtrante pour faciliter l'élimination des débris. Le sac n'est pas requis pour le ramassage de déchets secs. Lors du ramassage de poussière fine ou de poudre, un sac filtrant haute efficacité (**non standard avec tous les modèles**) doit être utilisé.

**REMARQUE :** Utilisez pour le ramassage de déchets secs uniquement.

2. Alors que le cordon est débranché de la prise, tirez les loquets dans un mouvement extérieur et retirez le couvercle du réservoir.
3. Dévissez l'écrou autobloquant du tuyau et retirez le tuyau de l'admission (**Figure 70**).
4. Retirez le déflecteur d'admission du guide de déflecteur. **REMARQUE :** Le tuyau doit être enlevé avant le retrait du déflecteur d'admission (**Figure 71**).
5. Placez le déflecteur d'admission avec l'ouverture faisant face à la gauche ou à la droite du sac avec filtre. Faites glisser le collier du sac filtre sur les encoches du déflecteur d'admission, en faisant correspondre les encoches du collier du sac avec le déflecteur d'admission. Le sac ne s'adaptera correctement que dans un sens (**Figure 72**).
6. Faites glisser le déflecteur d'admission comportant le sac filtre dans le guide du déflecteur (**Figure 73**).
7. Réinsérez le tuyau dans l'admission et serrez l'écrou autobloquant (**Figure 74**).
8. Une fois fixée en place, étirez le sac et placez-le autour de l'intérieur du réservoir. Réinstallez le couvercle du réservoir.

**REMARQUE :** Lorsque vous retirez le sac filtre du réservoir, enlevez le déflecteur d'admission du collier du sac filtre. Réinstallez le déflecteur d'admission dans le guide du déflecteur. Le déflecteur d'admission doit être en place pour tout type de nettoyage.



## SAC DE COLLECTE POUR DÉCHETS SECS/HUMIDES RÉSISTANT AUX DÉCHIRURES

Le sac de collecte pour déchets secs/humides résistant aux déchirures peut être utilisé en conjonction avec la cartouche filtrante pour ramasser des débris secs. Le sac n'est pas nécessaire pour le ramassage de déchet sec; il est toutefois plus facile d'enlever les débris et de maintenir le réservoir propre en utilisant le sac. Lors de la cueillette de poussière ou de poudres fines, un sac à haut rendement doit être utilisé. Les sacs haute efficacité ne sont destinés qu'à un usage avec déchets secs seulement et ne sont pas offerts de façon standard avec ce modèle.

Le sac de collecte pour déchets secs/humides résistant aux déchirures peut également être utilisé en conjonction avec le manchon de mousse lors de la cueillette de liquides ou en utilisant la fonction de pompe. Le sac filtre les gros et moyens débris qui peuvent se trouver dans le liquide, tout en permettant au liquide de s'écouler à travers le sac et les dépôts du réservoir de l'aspirateur. Le sac n'est pas nécessaire pour le ramassage de déchets humides, mais il est recommandé lorsque le liquide contient des débris qui pourraient endommager le moteur de l'aspirateur. **REMARQUE :** Si le sac est utilisé pour ramasser des déchets humides, il doit être retiré du réservoir et être accroché afin de sécher.

### Pour installer le sac :

1. Alors que le cordon est débranché de la prise, tirez les loquets dans un mouvement extérieur et retirez le couvercle du réservoir.
2. Dévissez l'écrou autobloquant du tuyau et retirez le tuyau de l'admission (**Figure 70**).
3. Retirez le déflecteur d'admission du guide de déflecteur. **REMARQUE :** Le tuyau doit être enlevé avant le retrait du déflecteur d'admission (**Figure 71**).
4. Placez le déflecteur d'admission avec l'ouverture faisant face à la gauche ou à la droite du sac avec filtre. Faites glisser le collier du sac filtre sur les encoches du déflecteur d'admission, en faisant correspondre les encoches du collier du sac avec le déflecteur d'admission. Le sac ne s'adaptera correctement que dans un sens (**Figure 72**).
5. Faites glisser le déflecteur d'admission comportant le sac filtre dans le guide du déflecteur (**Figure 73**).
6. Réinsérez le tuyau dans l'admission et serrez l'écrou autobloquant (**Figure 74**).
7. Une fois fixée en place, étirez le sac et placez-le autour de l'intérieur du réservoir. Réinstallez le couvercle du réservoir.

**REMARQUE :** Lorsque vous retirez le sac filtre du réservoir, enlevez le déflecteur d'admission du collier du sac filtre. Réinstallez le déflecteur d'admission dans le guide du déflecteur. Le déflecteur d'admission doit être en place pour tout type de nettoyage.

8. Une fois fixée en place, étirez le sac et placez-le autour de l'intérieur du réservoir. Réinstallez le couvercle du réservoir.

### Pour enlever le sac :

1. Si le sac a été utilisé pour ramasser des déchets humides, déplacez l'aspirateur à l'extérieur ou sur un plancher qui ne sera pas endommagé si des gouttes de liquide s'y déversent.

2. Assurez-vous que le cordon est débranché de la prise, que le couvercle du réservoir est enlevé et que le tuyau est déconnecté de l'orifice d'admission du réservoir.
3. Saisissez fermement le collier en plastique et tirez la protection en caoutchouc à l'extérieur du raccord d'admission. Avant de retirer le sac du réservoir, insérez la languette en plastique reliée à la bague dans l'ouverture du sac.
4. Si le sac a été utilisé pour le ramassage de déchets secs, saisissez tout simplement la poignée de plastique et enlevez-le du réservoir.
5. Si le sac a été utilisé pour le ramassage de déchets humides, saisissez la poignée de plastique et soulevez doucement le sac. Laissez le liquide s'égoutter du sac dans le réservoir. Si le sac n'est pas plein, accrochez-le et laissez-le sécher complètement. Une fois sec, vérifiez si le sac comporte des déchirures ou des trous. S'il n'y en a pas, le sac peut être réinstallé. **REMARQUE :** Des sacs de collecte supplémentaires sont disponibles chez votre revendeur local ou sur le site Web de Shop-VacMD.

## MISE EN GARDE POUR LE RAMASSAGE DES POUSSIÈRES FINES ET DES POUDRES

Lorsque vous utilisez l'aspirateur pour ramasser des poussières fines ou des poudres de tous types (p. ex. plâtre, poussière de cloison sèche, cendres froides, poussière de béton, etc.), vous devez utiliser un sac filtrant à haute efficacité pour cloisons sèches. Lorsque vous utilisez l'aspirateur pour ramasser les poussières et les débris ménagers ordinaires, vous pouvez utiliser des sacs filtrants jetables standards à usage ménager. Ces « grands sacs » filtres se fixent à l'orifice d'arrivée d'air situé sur l'intérieur de la cuve de l'aspirateur.

### GUIDE POUR LE CHOIX DU FILTRE

DIMENSIONS	Poussières fines Cloisons sèches	Déchets ménagers ordinaires
18,9 à 30,3 L (5-8 Gal U.S.)	90671/Ⓜ	90661/Ⓜ
37,8 à 53 L (10-14 Gal U.S.)	90672/Ⓜ	90662/Ⓜ
56,8 à 83,2 L (15-22 Gal U.S.)	90673/Ⓜ	90663/Ⓜ
5-10 U.S. Gal. (18,9-37,8L)		90215/Ⓜ
12-20 U.S. Gal. (18,9-37,8L)		90216/Ⓜ

90107 Ⓜ FILTRE ET BAGUE DE FIXATION RÉUTILISABLES pour la plupart des aspirateurs pour déchets secs et humides Shop-VacMD.

90585 Ⓜ MANCHON EN MOUSSE pour la plupart des aspirateurs pour déchets secs et humides Shop-VacMD.

## RAMASSAGE DE DÉCHETS HUMIDES

Retirez TOUTES les saletés et TOUS les débris de la cuve. L'aspirateur n'exige qu'un minimum de conversion pour passer du ramassage des déchets secs au ramassage des déchets humides. Retirez de l'aspirateur tous les filtres utilisés pour déchets secs. Vous devez utiliser un filtre à cartouche propre pour ramasser les petites quantités de liquides. Pour installer le filtre à cartouche de façon adéquate, reportez-vous à la rubrique Installation du filtre à cartouche. Pour obtenir les meilleurs résultats lorsque vous utilisez l'aspirateur pour ramasser de grandes quantités de liquides, retirez le filtre à cartouche. Si vous utilisez l'aspirateur pour ramasser des liquides contenant des débris, nous vous recommandons d'acheter un manchon en mousse et de l'installer sur le logement du filtre; sinon, vous n'avez pas besoin de manchon en mousse pour ramasser les liquides. Vous pouvez acheter le manchon en mousse et des filtres additionnels à partir de notre site Web, [www.shopvac.com](http://www.shopvac.com), en contactant notre Service à la clientèle ou auprès de votre distributeur local Shop-VacMD.

L'air évacué peut produire une pulvérisation sous forme de brouillard si le filtre se sature pendant le ramassage des déchets humides. Si c'est le cas, retirez le filtre et laissez-le sécher ou remplacez-le par un autre filtre sec afin d'éliminer le brouillard et d'éviter que le liquide ne s'égoutte par le pourtour du couvercle. Arrêtez immédiatement l'aspirateur dès que vous avez terminé de ramasser des liquides ou dès que la cuve est pleine et prête à être vidée. Soulevez le tuyau souple pour évacuer tout excès de liquide qui pourrait se trouver dans la cuve. L'intérieur de la cuve devrait être nettoyé régulièrement.

Le manchon en mousse devrait être régulièrement nettoyé de la façon suivante :

1. Débranchez toujours la fiche de la prise murale avant de retirer le couvercle de la cuve. Retournez le couvercle de la cuve à l'envers. Retirez le manchon en mousse en le faisant glisser vers le haut et en le dégageant du logement du couvercle.
2. Secouez rapidement le manchon en mousse de bas en haut pour enlever l'excès de poussière.
3. Maintenez le manchon en mousse sous un écoulement d'eau pendant une ou deux minutes, en le rinçant de l'intérieur. Il n'est pas toujours nécessaire de laver le manchon à l'eau; cela dépend de son état.
4. Essorez doucement l'excès d'eau, essuyez le manchon en mousse avec une serviette propre et laissez-le sécher. Le manchon en mousse est maintenant prêt à être réinstallé sur le logement du couvercle.

**REMARQUE :** LES ACCESSOIRES UTILISÉS POUR LE RAMASSAGE DES DÉCHETS HUMIDES DEVRAIENT ÊTRE LAVÉS RÉGULIÈREMENT, TOUT SPÉCIALEMENT APRÈS LE RAMASSAGE DE LIQUIDES COLLANTS RÉSULTANT DE DÉVERSEMENTS ACCIDENTELS DANS LA CUISINE. POUR CE FAIRE, VOUS POUVEZ UTILISER UNE SOLUTION CONSTITUÉE D'EAU CHAUDE ET DE SAVON.

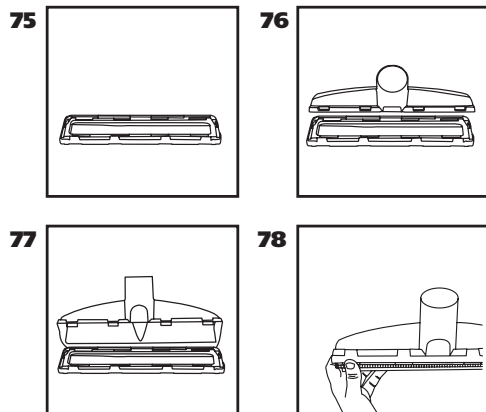
## INSTALLATION DU SUCEUR DE LA BROSSE OU DE LA RACLETTE SUR L'EMBOUT DE 14 PO (35,56 CM)

(Non standard avec tous les modèles)

1. Placez le suceur sur une surface plate avec les quatre languettes les plus proches de vous orientées vers le haut (**Figure 75**).
2. Positionnez l'embout sur le suceur, le grand orifice orienté vers le bas et à côté des quatre

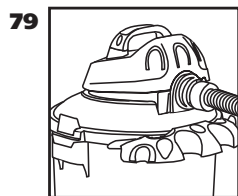
encoches les plus proches de vous (Figure 76).

- Placez le bord de l'embout sous les deux agrafes du suceur situés sur le côté le plus éloigné de vous (Figure 77).
- Poussez sur l'embout pour fixer le suceur à l'embout.
- En commençant sous la languette gauche, poussez vers l'avant sur le bord inférieur du suceur jusqu'à ce qu'il s'encliquette en place (Figure 78). Répétez la procédure avec les languettes restantes. Assurez-vous que les quatre languettes sont bloquées en place.
- Votre embout est maintenant prêt à être utilisé avec le suceur.
- Si vous devez retirer le suceur, il vous suffit de désengager les quatre languettes et de dégager avec précaution le suceur de l'embout en commençant sur le côté avec les languettes.



## FONCTION DE SOUFFLERIE

Votre aspirateur peut être utilisé en tant que souffleur puissant. Pour cela, débouchez le tuyau souple de toute obstruction éventuelle. Insérez l'extrémité du tuyau souple de l'appareil dans la sortie réservée à la soufflerie et située à l'arrière de l'appareil (Figure 79). Tournez-la légèrement pour serrer le raccord. Vous devez faire preuve de prudence lorsque vous servez de l'appareil à titre de souffleur en raison de la puissante force de l'air résultant de l'utilisation de certains accessoires.



**⚠ AVERTISSEMENT – PORTEZ TOUJOURS UNE PROTECTION OCULAIRE POUR VOUS PROTÉGER DES CAILLOUX OU DES DÉBRIS SOULEVÉS PAR LA SOUFFLERIE OU QUI POURRAIENT RICOCHER DANS VOS YEUX OU VOTRE VISAGE ET ENTRAÎNER DE GRAVES BLESSURES.**

## ÉVACUATION DES LIQUIDES DE LA CUVE

Tous les appareils ne sont pas équipés de drain de vidange de cuve. Suivez les instructions qui s'appliquent à votre appareil spécifique.

### Sans drain de vidange de cuve

Vous pouvez évacuer les liquides en enlevant le couvercle de la cuve. Pour vider la cuve, arrêtez le moteur et retirez la fiche de la prise murale. Retirez le couvercle de la cuve et évacuez le contenu en liquides dans un drain adéquat. Lorsque la cuve est vide, remettez le couvercle dans sa position originale. Pour continuer à utiliser l'aspirateur, branchez le cordon d'alimentation dans la prise murale et mettez l'appareil en marche.

### Avec drain de vidange de cuve

Vous pouvez évacuer les liquides en enlevant le drain de vidange de la cuve. Pour ce faire, arrêtez l'appareil et retirez la fiche de la prise murale. Retirez le bouchon de vidange et évacuez les liquides dans un drain adéquat. Lorsque la cuve est vide, remettez le drain de vidange dans sa position originale. Pour continuer à utiliser l'aspirateur, branchez le cordon d'alimentation dans la prise murale et mettez l'appareil en marche.

## ARRÊT DE SUCCION AUTOMATIQUE

L'aspirateur est équipé d'un arrêt de succion automatique qui fonctionne lors du ramassage des liquides. Tandis que le niveau atteint par les liquides monte dans la cuve, un flotteur interne s'élève pour s'appuyer contre un joint situé à l'admission du moteur, ce qui arrête la succion. Le moteur émet alors un bruit plus aigu que la normale et la succion est fortement réduite. Si cela se produit, arrêtez immédiatement l'appareil. Le fait de ne pas arrêter le fonctionnement de l'appareil dès que le flotteur s'élève et arrête la succion endommage

gravement le moteur. Pour continuer d'utiliser l'aspirateur, videz le liquide contenu dans la cuve tel que décrit au paragraphe précédent.

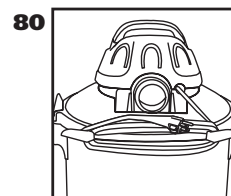
**REMARQUE :** LA SUCCION PEUT S'INTERROMPRE SI L'ASPIRATEUR BASCULE ACCIDENTELLEMENT VERS L'AVANT. SI CELA SE PRODUIT, REMETTEZ L'ASPIRATEUR DROIT ET PLACEZ LE COMMUTATEUR À LA POSITION D'ARRÊT. CE CI PERMET AU FLOTTEUR DE REVENIR À SA POSITION NORMALE ET VOUS POUVEZ CONTINUER À UTILISER L'ASPIRATEUR.

## LUBRIFICATION

Aucune lubrification n'est nécessaire puisque le moteur est équipé de paliers lubrifiés à vie.

## ENTREPOSAGE

Avant d'entreposer votre aspirateur, vous devriez vider et nettoyer la cuve. Vous pouvez enrouler le cordon d'alimentation autour des supports de cordon d'alimentation situés sur le couvercle de la cuve, à l'arrière de l'appareil (Figure 80). Les accessoires peuvent être entreposés dans le porte-accessoires (non standard avec tous les modèles) pour les avoir à portée de la main. L'aspirateur devrait être entreposé à l'intérieur.



## DÉPANNAGE

Problème	Cause possible	Solution
La succion faiblit ou s'échauffe	Le filtre est obstrué	Brossez le filtre pour enlever la saleté. Si le problème persiste, changez le filtre.
	Il y a une fuite d'air	Vérifiez tous les raccords pour vous assurer qu'ils sont bien serrés (buses, tuyau souple, etc.) souple.
	Le tuyau souple ou l'embout est obstrué	Vérifiez la buse, le tuyau flexible, etc. pour déceler toute obstruction et débouchez au besoin.
Du brouillard se forme dans l'air d'évacuation	Le filtre est saturé	Remplacez le filtre saturé par un filtre à sec.

**⚠ AVERTISSEMENT – SI L'UNE DES PIÈCES DU CARTER DU MOTEUR SE DÉTACHE OU CASSE, EXPOSANT LE MOTEUR OU AUTRE COMPOSANT ÉLECTRIQUE, ARRÊTEZ IMMÉDIATEMENT LE FONCTIONNEMENT DE L'ASPIRATEUR POUR ÉVITER DE CAUSER DES BLESSURES OU D'ENDOMMAGER D'AVANTAGE L'ASPIRATEUR. LES RÉPARATIONS DEVRAIENT ÊTRE EFFECTUÉES AVANT DE RÉUTILISER L'ASPIRATEUR.**

## GARANTIE DE CINQ (5) ANS POUR UN USAGE MÉNAGER

Votre aspirateur Shop-Vac<sup>MD</sup> est garanti pour une période de cinq ans à compter de la date d'achat contre tous défauts originaux de fabrication et de main-d'œuvre s'il est utilisé dans le cadre d'un usage ménager normal, conforme aux instructions contenues dans le présent Manuel d'utilisation. Si ce produit est utilisé à des fins commerciales ou de location, une garantie limitée de 90 jours s'applique. Shop-Vac Corporation garantit de remettre cet aspirateur en bon état de marche, en le réparant ou en remplaçant les pièces défectueuses gratuitement pendant la période de garantie. Cette garantie ne couvre pas les accessoires. L'utilisation de filtres et/ou d'accessoires non recommandés peut annuler la garantie du fabricant. Shop-Vac<sup>MD</sup> n'assume aucune responsabilité pour les dommages ou les défauts de fonctionnement causés par une utilisation non adéquate, une manipulation négligente ou si des réparations ou des modifications ont été effectuées. N'essayez pas d'effectuer des réparations sur votre aspirateur autres que celles décrites dans le Manuel d'utilisation. La date de la preuve d'achat est requise. Cette garantie vous confère des droits spécifiques auxquels peuvent s'ajouter d'autres droits variant d'un état ou d'une province à l'autre. Cette garantie ne s'applique pas hors des États-Unis et du Canada.

Clients des États-Unis : pour tout dépannage du produit, contactez le Service à la clientèle de Shop-Vac Corporation en composant le (570) 326-3557 ou allez à [www.shopvac.com/support](http://www.shopvac.com/support). Visitez [www.shopvac.com](http://www.shopvac.com) pour consulter le diagramme des pièces de votre aspirateur.

Clients résidant au Canada : pour tout dépannage du produit, renvoyez celui-ci au complet (frais de transport prépayés), au centre de service Shop-Vac<sup>MD</sup> agréé le plus près de chez vous.

Visitez [www.shopvac.ca](http://www.shopvac.ca) pour consulter la liste complète des centres de service agréés situés près de chez vous.

Clients du Mexique : pour tout dépannage du produit, reportez-vous à la documentation incluse avec votre appareil.

# INSTRUCCIONES IMPORTANTES SOBRE SEGURIDAD

Cuando esté usando un artefacto eléctrico, deberá seguir siempre las precauciones básicas, entre las que se incluyen las siguientes: **LEA TODAS LAS INSTRUCCIONES ANTES DE UTILIZAR ESTE ARTEFACTO.**

## ⚠️ ADVERTENCIA – PARA REDUCIR EL RIESGO DE INCENDIO, DESCARGA ELÉCTRICA O LESIONES:

- No deje sin atención el artefacto cuando esté conectado. Desconéctelo de la toma de corriente cuando no lo esté utilizando y antes de darle mantenimiento. Conéctelo únicamente a una toma de corriente debidamente conectada a tierra. Consulte las instrucciones para la conexión a tierra.
- No lo exponga a la lluvia, guárdelo en el interior.
- No permita que lo utilicen como un juguete. Se requiere una estrecha vigilancia cuando lo utilicen los niños o se utilice cerca de ellos.
- Utilícelo solamente como se describe en este manual. Utilice solamente los accesorios recomendados por el fabricante.
- No lo utilice si el cable o el enchufe están dañados. Si el artefacto no funciona como debiera, se ha caído, dañado, dejado a la intemperie o se ha dejado caer en el agua, póngase en contacto con Shop-Vac Corporation para solicitar asistencia.
- No jale o transporte el artefacto por el cable, no utilice el cable como una manija, no cierre las puertas sobre el cable ni jale el cable alrededor de bordes filosos o esquinas. No pase el artefacto sobre el cable. Mantenga el cable alejado de las superficies calientes.
- No desconecte el artefacto tirando del cable. Para desconectarlo, tómelo por el enchufe, no por el cable.
- No toque el enchufe ni el artefacto con las manos mojadas.
- No inserte ningún objeto por las aberturas. No lo utilice si cualquiera de las aberturas está bloqueada. Manténgalo libre de polvo, pelusa, cabello y cualquier otro material que pudiera reducir el flujo de aire.
- Mantenga el cabello, la ropa suelta, los dedos y en general todo su cuerpo, alejado de las aberturas y partes móviles del artefacto.
- No aspire ningún material que esté ardiendo o humeando, como cigarrillos, cerillos o

- cenizas calientes.
- No lo utilice sin colocarle antes la bolsa para polvo y/o los filtros.
- Apague todos los controles antes de desconectar la unidad.
- Extreme precauciones cuando esté limpiando en las escaleras.
- No lo utilice para aspirar líquidos inflamables o combustibles, como gasolina, ni lo utilice en áreas en donde pudieran estar presentes estas sustancias.
- No utilice su aspiradora como rociador para líquidos inflamables como pinturas con base de aceite, lacas, productos de limpieza para el hogar, etc.
- No aspire materiales tóxicos, carcinógenos, combustibles, ni otros materiales peligrosos como amianto, arsénico, bario, berilio, plomo, pesticidas u otros materiales que representen un riesgo para la salud. Existen artefactos especialmente diseñados para estos propósitos.
- No recoja hollín, cemento, yeso o polvo de muro de mampostería sin colocar antes el filtro de cartucho y la bolsa colectoras filtrante. Éstas son partículas muy finas que pueden pasar a través de la espuma y afectar el funcionamiento del motor o ser expulsadas nuevamente al aire. Se encuentran disponibles bolsas colectoras filtrantes adicionales.
- No deje el cable en el piso una vez que haya terminado su trabajo de limpieza, ya que podría tropezarse con él.
- Tenga cuidado especial al vaciar los depósitos excesivamente cargados.
- Para evitar la combustión espontánea, vacíe el depósito después de cada uso.
- El funcionamiento de una aspiradora de servicio podría ocasionar que objetos extraños sean sopladados hacia los ojos, lo que podría resultar en una lesión ocular. Siempre lleve puestas gafas de seguridad cuando haga funcionar una aspiradora.
- MANTÉNGASE ALERTA.** Vigile lo que está haciendo y utilice el sentido común. No utilice una aspiradora para limpieza cuando esté cansado, distraído o bajo el efecto de drogas, alcohol o medicamentos que causen una pérdida del control.
- ¡ADVERTENCIA! NO** utilice esta aspiradora para aspirar residuos de pintura con plomo dado que al hacerlo se podrían dispersar partículas delgadas de plomo en el aire. Esta aspiradora no ha sido diseñada para ser utilizada, conforme a la Regulación de la EPA 40 CFR Parte 745, para limpieza de materiales de pintura con plomo.

## GUARDE ESTAS INSTRUCCIONES

**⚠️ ADVERTENCIA – NO DEJE LA ASPIRADORA SIN VIGILANCIA CUANDO ESTÁ ENCHUFADA O EN FUNCIONAMIENTO. DESENCHUFE LA ASPIRADORA CUANDO NO LA UTILICE.**

## INSTRUCCIONES DE CONEXIÓN A TIERRA

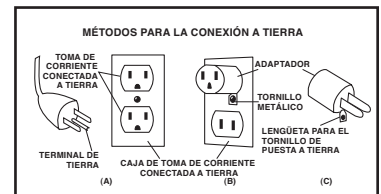
Este aparato debe estar conectado a tierra. Si por algún motivo falla o se descompone, la conexión a tierra proporciona una vía de menor resistencia para la corriente eléctrica, reduciendo el riesgo de sufrir una descarga. Este artefacto está equipado con un cable que cuenta con un conductor a tierra y un enchufe a tierra. El enchufe debe ser insertado en una toma de corriente adecuada que esté debidamente instalada y conectada a tierra de acuerdo con todos los códigos y reglamentos locales.

**⚠️ ADVERTENCIA – UNA CONEXIÓN INADECUADA DEL CONDUCTOR A TIERRA PARA EL EQUIPO, PUEDE RESULTAR EN UN RIESGO DE DESCARGA ELÉCTRICA. VERIFIQUE CON UN ELECTRICISTA CALIFICADO O TÉCNICO DE SERVICIO SI TIENE DUDAS CON RESPECTO A SI LA TOMA DE CORRIENTE ESTÁ ADECUADAMENTE CONECTADA A TIERRA. NO HAGA MODIFICACIONES EN EL ENCHUFE DEL APARATO. SI NO SE AJUSTA A LA TOMA DE CORRIENTE, HAGA QUE UN ELECTRICISTA CALIFICADO LE INSTALE UNA TOMA DE CORRIENTE APROPIADA.**

Este aparato es para utilizarse en un circuito de 120 voltios nominal y cuenta con un enchufe con conexión a tierra como el que aparece en la **ilustración A**. Puede usar un adaptador provisional como el que se muestra en las **ilustraciones B y C** para conectar este enchufe a una toma de corriente de 2 polos, como la que se exhibe en la **ilustración B** si no tiene disponible una toma de corriente

debidamente conectada a tierra. El adaptador provisional debe ser utilizado solamente hasta que un electricista pueda instalar una toma de corriente debidamente conectada a tierra (**ilustración A**). La espiga rígida de color verde, orejeta o accesorio similar que sale del adaptador debe conectarse a una conexión a tierra permanente tal como la tapa de la toma de corriente, debidamente conectada a tierra. Siempre que se utilice un adaptador, debe ser sujetado en su lugar mediante un tornillo metálico.

EN CANADÁ, EL REGLAMENTO DE ELECTRICIDAD CANADIENSE NO PERMITE EL USO DE UN ADAPTADOR PROVISIONAL. Asegúrese de que este artefacto esté conectado a una toma de corriente que tenga la misma configuración que la del enchufe. No se debe utilizar ningún adaptador con este artefacto.



## CABLES DE EXTENSIÓN

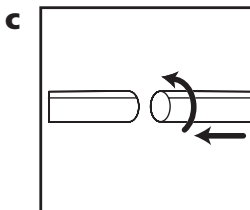
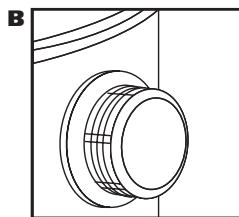
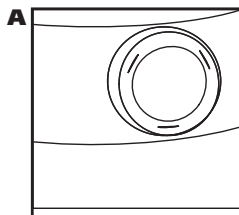
Cuando utilice el aparato a una distancia donde sea necesario utilizar un cable de extensión, debe emplear un cable con conexión a tierra de tamaño adecuado, por razones de seguridad y para prevenir la pérdida de potencia y el sobrecalentamiento. Use la tabla que aparece más abajo para determinar el calibre (AWG) requerido para el cable. Para determinar el amperaje de su aspiradora, vea la placa localizada en la parte trasera del motor. Antes de utilizar el artefacto, compruebe que el cable de corriente esté bien colocado y que no existan cables expuestos o aislamientos dañados. Haga los reemplazos o las reparaciones que sean necesarios antes de utilizar el artefacto. Utilice únicamente los cables de extensión para exteriores de tres hilos que tengan enchufes con conexión a tierra y toma de corriente de tres polos para poder conectar el enchufe del cable de extensión. Cuando esté aspirando materiales líquidos, asegúrese de que la conexión del cable de extensión no entre en contacto con el líquido.

**NOTA: LAS DESCARGAS ESTÁTICAS SON COMUNES EN ÁREAS SECAS O CUANDO LA HUMEDAD RELATIVA DEL AIRE ES MUY BAJA. ESTO ES TEMPORAL Y NO AFECTA EL USO DEL ARTEFACTO. PARA REDUCIR LA FRECUENCIA DE DESCARGAS ELÉCTRICAS EN SU HOGAR, EL MEJOR REMEDIO ES AGREGAR HUMEDAD AL AIRE CON UNA CONSOLA O HUMIDIFICADOR INSTALADO.**

Voltios	Longitud total del cable en metros			
	25	50	100	150
120V				
Amperaje Más de No Más de		AWG		
0 - 6	18	16	16	14
6 - 10	18	16	14	12
10 - 12	16	16	14	12
12 - 16	14	12	<b>No se recomienda</b>	

## DESEMPAQUE Y MONTAJE

1. Jale los sujetadores de la tapa hacia fuera y retire la cubierta del depósito y cualquier accesorio que esté empacado con el depósito.
2. Acople el sistema de ruedas siguiendo las instrucciones e ilustraciones de este manual.
3. Antes de volver a colocar la cubierta del depósito, consulte las secciones sobre Aspiración de Sólidos o Aspiración de Líquidos de este manual para asegurarse de que tiene instalados los filtros apropiados para su operación de limpieza.
4. Vuelva a colocar la cubierta del depósito y aplique presión con los pulgares a cada sujetador hasta que se encajen bien en su posición. Asegúrese que todos los sujetadores de la tapa estén bien ajustados.
5. Inserte el extremo de la manguera de la máquina en la entrada del depósito. Gírela ligeramente para ajustar la conexión (Figura A). Entrada con ajuste por fricción.
6. Inserte el extremo de la manguera de la máquina con la tuerca de seguridad en la entrada ubicada en la parte frontal del depósito. Gire la tuerca de seguridad para apretar. No apriete en exceso (Figura B). Entradas Lock-On®.
7. Acople los tubos de extensión (No viene estándar con todos los modelos) al extremo de la manguera donde se colocan los accesorios. Gírela ligeramente para ajustar la conexión (Figura C).
8. Acople uno de los accesorios de limpieza (dependiendo de lo que requiera para limpiar) a los tubos de extensión. Gírela ligeramente para ajustar la conexión (Figura C).
9. Enchufe el cable en el tomacorriente de pared. Su aspiradora está lista para usarse.



I = ENCENDIDO, O = APAGADO

NOTA: DISPONE DE MUCHAS MÁS HERRAMIENTAS ÚTILES EN SU DISTRIBUIDOR LOCAL O EN EL SITIO WEB DE SHOP-VAC®.

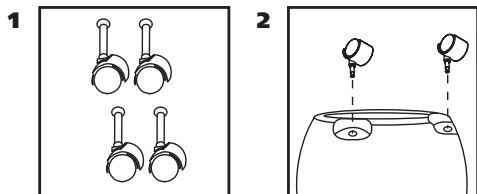
## ENSAMBLADO DE LA RUEDA

No todas las unidades vienen equipadas con el mismo sistema de ruedas. Siga las instrucciones que apliquen a su unidad.

### Sin bases de la rueda

Encontrará cuatro ruedas (Figura 1) con su aspiradora para aspiración de sólidos y líquidos. Ensamble como se indica a continuación:

1. Con el cable desconectado de la toma de corriente y habiendo retirado la cubierta del depósito, voltee el depósito de modo que el fondo quede mirando hacia arriba.
2. Inserte las ruedas en las bases colocando el vástago de las ruedas en los orificios provistos. Aplique presión y torsión hasta que las rueditas hayan encajado en su lugar (Figura 2).
3. Regrese el depósito a su posición vertical.



### Con bases de rueda

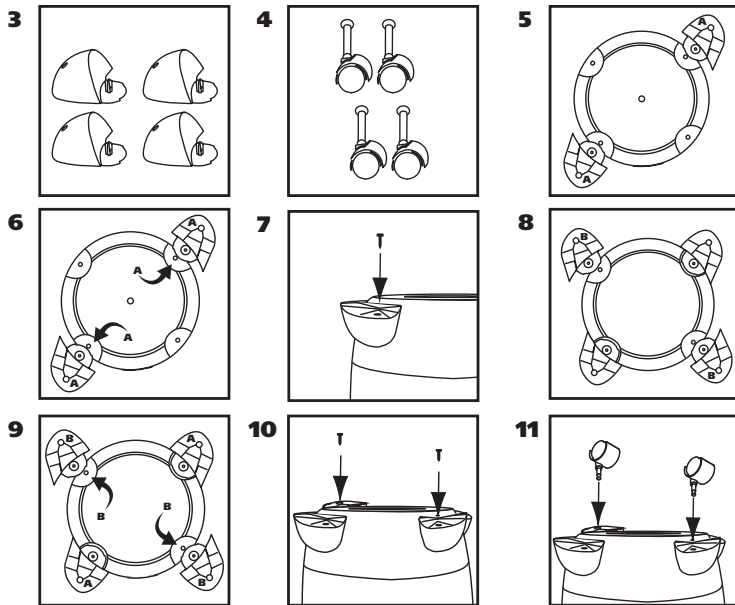
Si las bases de la ruedita tienen la apariencia de la Figura 3, siga estas instrucciones.

Encontrará cuatro bases de la rueda (Figura 3), cuatro ruedas (Figura 4) y cuatro tornillos con su aspiradora para aspiración de sólidos y líquidos. Ensamble como se indica a continuación:

1. Con el cable desconectado de la toma de corriente y habiendo retirado la cubierta del depósito, voltee el depósito de modo que el fondo quede mirando hacia arriba.
2. Retire toda cinta que sujete las bases de la rueda entre sí.
3. Con la parte frontal de la entrada del depósito mirando hacia usted, tome las bases de la rueda marcadas con la letra A (Figura 5) e inserte el vástago de la base de la rueda dentro de los orificios en la parte frontal izquierda y posterior derecha del depósito también marcados con la letra A (Figura 6). Asegúrese de que las bases de la rueda estén totalmente insertadas dentro del fondo del depósito y sujételas con los tornillos suministrados (Figura 7).
4. Tome las bases para las ruedas marcadas con la letra B (Figura 8) e inserte el vástago de la base de la rueda dentro de los orificios ubicados en la parte frontal derecha y posterior izquierda del depósito también marcados con la letra B (Figura 9). Asegúrese de que las

bases de la rueda estén totalmente insertadas dentro del fondo del depósito y sujételas con los tornillos suministrados (Figura 10).

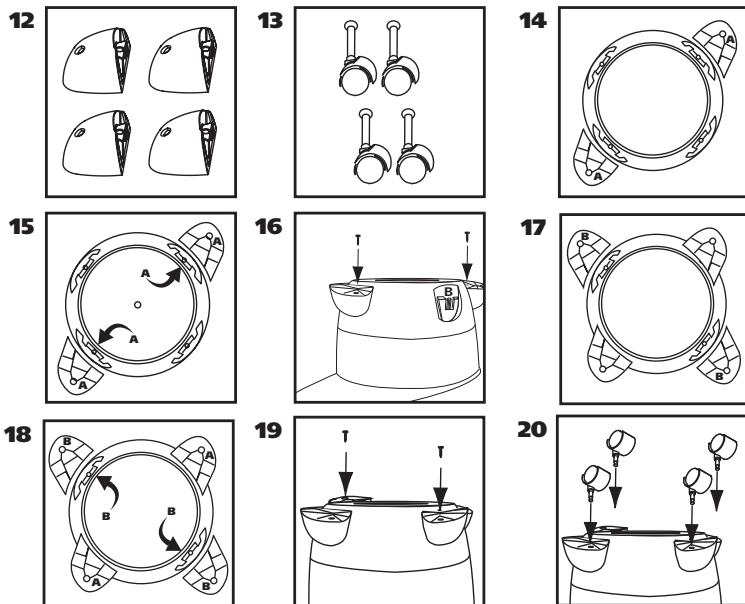
5. Inserte las ruedas en las bases colocando el vástago de las ruedas en los orificios provistos. Aplique presión y torsión hasta que las rueditas hayan encajado en su lugar (Figura 11).
6. Regrese el depósito a su posición vertical.



Si las bases de la ruedita tienen la apariencia de la Figura 12, siga estas instrucciones.

Encontrará cuatro bases de la rueda (Figura 12), cuatro ruedas (Figura 13) y cuatro tornillos con su aspiradora para aspiración de sólidos y líquidos. Ensamble como se indica a continuación:

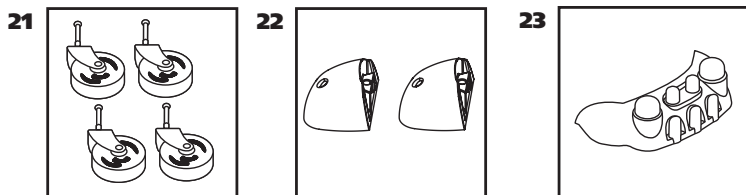
1. Con el cable desconectado de la toma de corriente y habiendo retirado la cubierta del depósito, voltee el depósito de modo que el fondo quede mirando hacia arriba.
2. Con la parte frontal del depósito mirando hacia usted, tome las bases con la rueda marcadas con la letra A (Figura 14) y colóquelas en las ranuras en la parte frontal izquierda y parte posterior derecha del depósito también marcadas con la letra A (Figura 15). Asegure con los tornillos suministrados (Figura 16).
3. Tome las bases con las ruedas marcadas con la letra B (Figura 17) y colóquelas en la parte frontal derecha y en la parte posterior izquierda del depósito que también están marcadas con la letra B (Figura 18). Asegure con los tornillos suministrados (Figura 19).
4. Si las arandelas planas vienen incluidas en el paquete de accesorios, coloque la arandela plana sobre el vástago de la rueda antes de instalar las ruedas en las bases. NOTA: No son necesarias las arandelas planas con todas las unidades.
5. Inserte las ruedas en las bases colocando el vástago de las ruedas en los orificios provistos. Aplique presión y torsión hasta que las rueditas hayan encajado en su lugar (Figura 20). Regrese el depósito a su posición vertical.



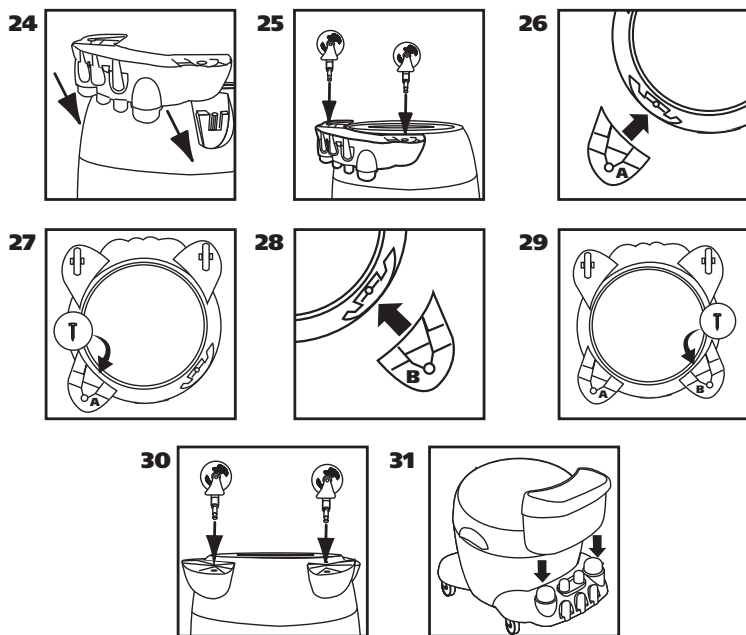
### Con carretilla de rueda trasera/porta-herramientas

Esta aspiradora para aspiración de sólidos y líquidos viene equipada con cuatro ruedas (Figura 21), dos bases de rueda (Figura 22), porta-herramientas /carretilla de rueda trasera (Figura 23) y cuatro tornillos. Ensamble como se indica a continuación:



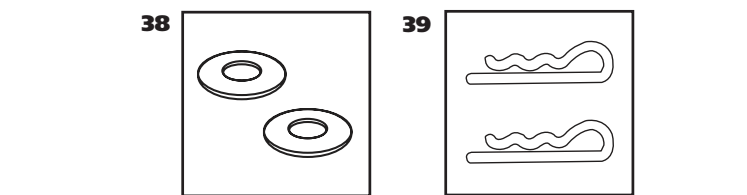
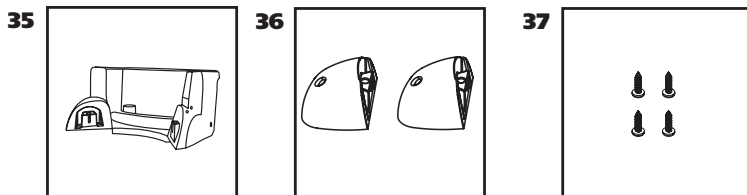
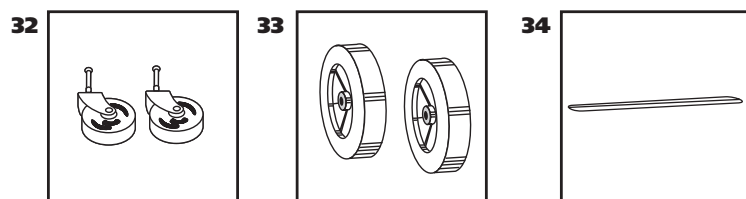


1. Con el cable desconectado de la toma de corriente y habiendo retirado la cubierta del depósito, voltee el depósito de modo que el fondo quede mirando hacia arriba.
2. Tome la carretilla de la rueda trasera y colóquela en las ranuras (en la parte posterior del depósito, opuesto al drenaje) y asegure con los tornillos suministrados (**Figura 24**).
3. Si las arandelas planas vienen incluidas en el paquete de accesorios, coloque la arandela plana sobre el vástago de la rueda antes de instalar las ruedas en las bases. **NOTA:** No son necesarias las arandelas planas con todas las unidades.
4. Inserte las ruedas en el fondo de la carretilla de rueda trasera colocando el vástago de la rueda dentro de los orificios provistos. Aplique presión y torsión hasta que las rueditas hayan encajado en su lugar (**Figura 25**).
5. Con el drenaje del depósito mirando hacia usted, tome la base de la ruedita marcada con la letra A (**Figura 26**) y colóquela en la ranura en el lado izquierdo del depósito marcado con la letra A. Asegure con el tornillo suministrado (**Figura 27**).
6. Tome la base de la ruedita marcada con la letra B (**Figura 28**) y colóquela en la ranura en el lado derecho del depósito también marcado con la letra B. Asegure con el tornillo suministrado (**Figura 29**).
7. Inserte las ruedas en las bases colocando el vástago de las ruedas en los orificios provistos. Aplique presión y torsión hasta que las rueditas hayan encajado en su lugar (**Figura 30**).
8. Regrese el depósito a su posición vertical.
9. Coloque la cesta para herramientas (**no común a todos los modelos**) con la superficie curvada contra el depósito en el montaje de la carretilla de la ruedita trasera (**Figura 31**).

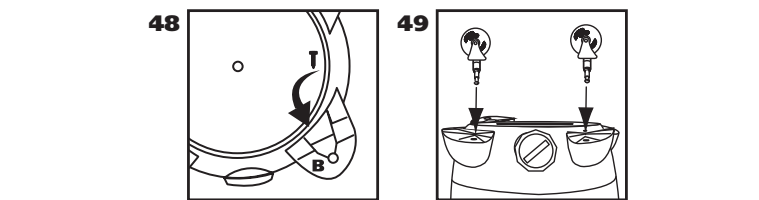
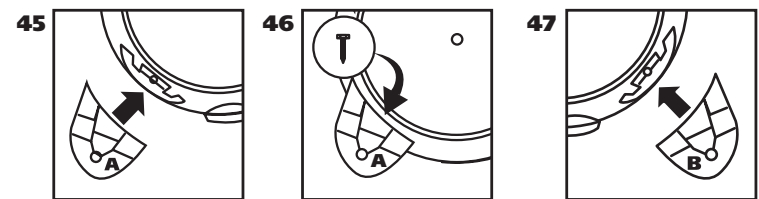
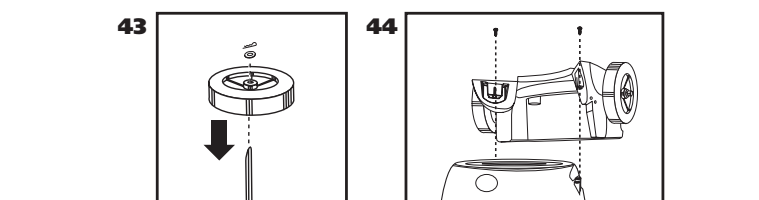
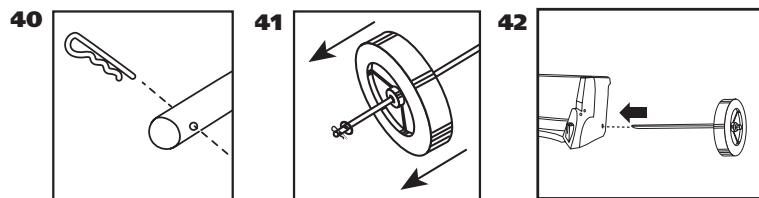


**ENSAMBLADO DE CARRETILLA CON RUEDA POSTERIOR/PORTA-HERRAMIENTAS, RUEDAS Y BASES FRONTALES Y POSTERIORES**  
(No es común para todos los modelos)

Verá dos ruedecillas (**Figura 32**), dos ruedas traseras grandes (**Figura 33**), un eje (**Figura 34**), cesta/carretilla trasera (**Figura 35**), dos bases de rueda (**Figura 36**), cuatro tornillos (**Figura 37**), dos arandelas (**Figura 38**) y dos pasadores en forma de horquilla (**Figura 39**). Si su aspiradora es de 16 galones estadounidenses (60.5 litros) o más, también verá dos tornillos, dos arandelas planas de metal y dos tuercas cuadradas con su aspiradora para agua y polvo. Haga el ensamble de la siguiente manera:



1. Con el cable desconectado de la toma de corriente y habiendo retirado la cubierta del depósito, voltee el depósito de modo que el fondo quede mirando hacia arriba.
2. Coloque un pasador en forma de horquilla en un extremo del eje (**Figura 40**). Deslice una arandela por el eje hasta que quede sobre el pasador en forma de horquilla. Deslice la rueda por el eje hasta llegar a la arandela (**Figura 41**). Asegúrese de que la parte plana del centro de la rueda quede hacia afuera.
3. Deslice el eje a través de los orificios suministrados en la carretilla/cesta (**Figura 42**).
4. Deslice la otra rueda y luego la otra arandela por el eje. Pase el pasador en forma de horquilla por el orificio del eje para mantener la rueda en su lugar (**Figura 43**).
5. Tome la carretilla con ruedas posteriores y colóquela en las ranuras (en la parte posterior del depósito, del otro lado del drenaje) y sujete con los tornillos suministrados (**Figura 44**).
6. Con el depósito mirando hacia usted, tome las bases de la rueda marcadas con la letra A (**Figura 45**) y colóquelas dentro de la ranura en el lado izquierdo del depósito también marcado con la letra A y asegure con el tornillo suministrado (**Figura 46**).
7. Tome las bases de la rueda marcadas con la letra B (**Figura 47**) y colóquelas en la ranura en el lado derecho del depósito también marcado con la letra B y sujete con el tornillo suministrado (**Figura 48**).
8. Inserte las ruedas dentro de las bases colocando el vástago la rueda dentro de los orificios provistos. Aplique presión y enrosque hasta que las ruedas encajen en su lugar (**Figura 49**).
9. Regrese el depósito a su posición normal.



**ENSAMBLE DEL PORTAIMPLEMENTOS**

(No viene estándar con todos los modelos)

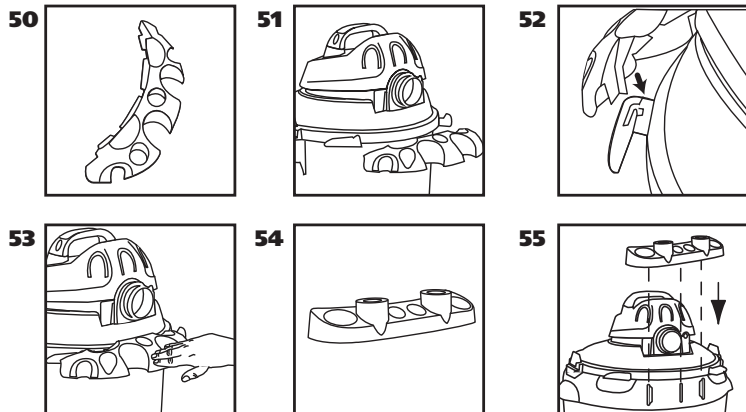
Si su portaimplementos se parece al de la (**Figura 50**), siga estas instrucciones.

1. Con la parte posterior de la unidad orientada hacia usted, tome el portaimplementos y colóquelo con las pestañas orientadas hacia la parte posterior de la unidad (**Figura 51**).
2. Coloque las pestañas en forma de "J" en las ranuras en los portacables (**Figura 52**).

- Presione hacia abajo hasta que las pestañas ajusten en su sitio.
- Presione hacia abajo en el centro del portaimplementos hasta que la pestaña trabe en la tapa inferior (**Figura 53**).

Si su portaimplementos se parece al de la **Figura 54**, siga estas instrucciones.

- Con la parte posterior de la unidad orientada hacia usted, tome el portaimplementos y deslícelo sobre las muescas en la parte posterior del tanque (**Figura 55**).



## INSTALACIÓN DE MANGO DEL CARRO

(No es común a todos los modelos)

Coloque la aspiradora en su posición vertical. Coloque el mango del carro de metal fuera del depósito y por debajo de los mangos de transporte laterales. Asegúrese de extender los extremos de los mangos del carro cuando ensamble para evitar daños al depósito. Alinee los orificios del mango del carro con los orificios en el depósito y asegure firmemente con tornillos y tuercas provistas. La arandela de sellado y el tornillo tienen mucha tolerancia de fijación. El lado de goma de la arandela de sellado debe fijarse contra la pared interior del depósito. Si no se instala adecuadamente la arandela de goma se podrían producir filtraciones de agua o pérdida de rendimiento. Vuelva a colocar la cubierta del depósito y sujete los seguros de la tapa firmemente.



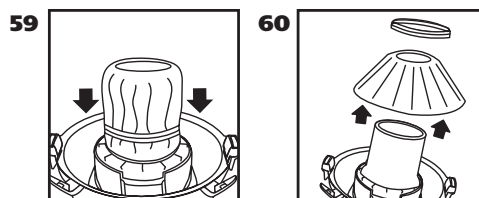
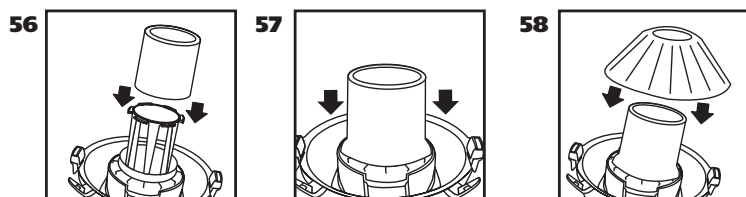
## ASPIRACIÓN DE SÓLIDOS

## INSTALACIÓN DE LA MANGA DE HULE-ESPUMA Y DEL FILTRO REUTILIZABLE PARA ASPIRACIÓN DE SÓLIDOS

(No es común a todos los modelos)

**⚠ ADVERTENCIA** – SIEMPRE DESCONECTE EL ENCHUFE DE LA TOMA DE CORRIENTE DE PARED ANTES DE RETIRAR LA CUBIERTA DEL DEPÓSITO.

Quando se utiliza el filtro para sólidos reutilizable para aspirar polvo y materiales sólidos, debe instalarse la manga de hule-espuma y el filtro para aspiración de sólidos reutilizable para garantizar un filtrado adecuado. Si la aspiradora ha sido utilizada para aspirar líquidos, se deberá limpiar y secar la manga de hule-espuma antes de instalarla para la aspiración de materiales sólidos. Con la cubierta del depósito en posición invertida, deslice la manga de hule-espuma hacia abajo sobre el alojamiento de la tapa jalando hasta que la manga cubra completamente el alojamiento de la tapa (**Figuras 56, 57**). Coloque en el centro el filtro para aspiración de sólidos reutilizable sobre el alojamiento de la tapa (**Figura 58**), deslice el anillo de montaje hacia abajo sobre el filtro hasta que el anillo se posicione contra los montantes del alojamiento de la tapa (**Figura 59**). El filtro para aspiración de sólidos reutilizable siempre debe estar en posición sobre la manga de hule-espuma para la aspiración de materiales sólidos. Para sacar el filtro con el fin de limpiarlo, extraiga el anillo de montaje y filtro del alojamiento de la tapa (**Figura 60**). Para limpiar el filtro para sólidos reutilizable, quite la suciedad o el polvo sacudiéndolo (en función del estado del filtro) o enjuague con agua. Deje secar el filtro completamente y vuelva a instalarlo. **NO LAVE O SEQUE EL FILTRO A MÁQUINA.**

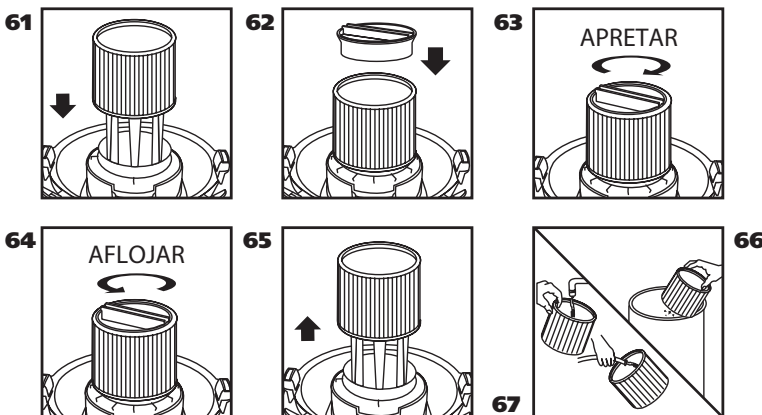


## INSTALACIÓN DEL FILTRO DE CARTUCHO

(No es común a todos los modelos)

**NOTA:** Si la manga de hule-espuma está posicionada sobre el alojamiento de la tapa, no es necesario extraerla antes de instalar el cartucho. El hule-espuma debe estar ubicado en la PARTE INTERIOR de la muesca alrededor del alojamiento de la tapa para que el cartucho se ajuste apropiadamente.

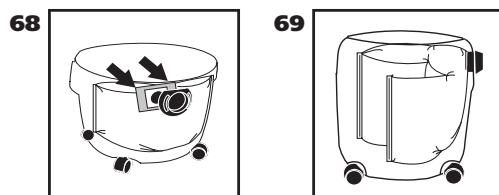
El filtro de cartucho puede utilizarse para la aspiración de materiales líquidos o sólidos; la instalación es la misma para ambos. Cuando aspire grandes cantidades de líquido, por favor consulte la sección de Aspiración de Líquidos en este manual. Use el filtro de cartucho sobre el alojamiento de la tapa para la aspiración de materiales sólidos en general. Con la cubierta del depósito en posición invertida, deslice el filtro de cartucho hacia abajo sobre el alojamiento de la tapa, empujando hasta que el filtro se selle contra la cubierta (**Figura 61**). Coloque el retenedor de filtro dentro de la parte superior del filtro de cartucho, sostenga la cubierta del depósito con una mano, gire la manija del retenedor del filtro en sentido de las agujas del reloj para apretar, asegurando el filtro en su lugar (**Figuras 62 y 63**). Para extraer el filtro para su limpieza, sostenga la cubierta del depósito y gire el retenedor de filtro en sentido contrario a las agujas del reloj para aflojar y extraer, deslice el filtro de cartucho fuera del alojamiento de la tapa (**Figuras 64 y 65**). Para limpiar el filtro de cartucho, saque la suciedad agitándolo o con un cepillo o enjuagándolo (desde el interior hacia fuera del filtro) con agua, deje que se seque por completo (aproximadamente 24 horas) antes de volver a instalarlo (**Figuras 66 y 67**). **NOTA:** Si el filtro ha sido utilizado para aspiración de líquidos, se deberá limpiar y dejar secar antes de utilizarlo para la aspiración de sólidos.



## INSTALACIÓN DE LA BOLSA FILTRANTE DESECHABLE

(No es común a todos los modelos)

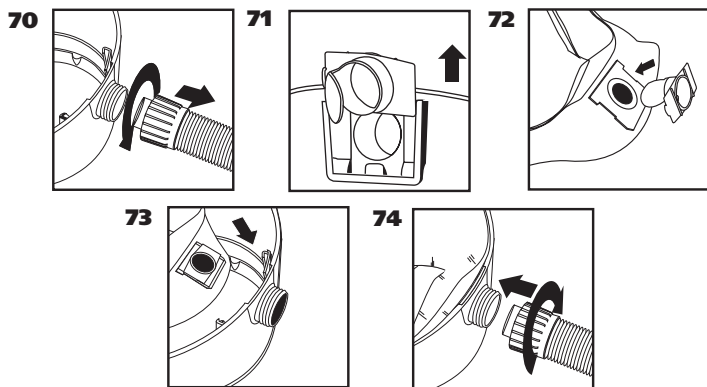
- Se debe utilizar solamente para la aspiración de materiales sólidos. Utilícela junto con el filtro de cartucho para la aspiración de hollín, cemento, yeso o polvo de muro de mampostería.
- Con el cable desconectado de la toma de corriente, jale de los sujetadores hacia fuera para retirar la cubierta del depósito.
- Sujete firmemente el collarín de cartón y deslice el protector de goma sobre el accesorio de entrada haciéndolo entrar lo más que se pueda (**Figura 68**).
- Quando esté en su lugar, abra la bolsa y colóquela alrededor del interior del depósito. (**Figura 69**).



# INSTALACIÓN DE LA BOLSA FILTRANTE DESECHABLE

(No es común a todos los modelos)

- Para una fácil eliminación de los residuos, use la bolsa filtrante descartable junto con el filtro de cartucho. No se necesita la bolsa para la aspiración normal de sólidos. Cuando se recoge polvo fino o polvillo se debe usar una bolsa filtrante de alta eficiencia (**no es común a todos los modelos**).  
**NOTA:** Se debe utilizar solamente para la aspiración de materiales sólidos.
- Con el cable desconectado del tomacorriente, tire de los seguros hacia afuera para retirar la tapa del depósito.
- Desenrosque la tuerca de fijación de la manguera y sáquela de la entrada (**Figura 70**).
- Retire el deflector de entrada de la guía del deflector. **NOTA:** Para poder retirar el deflector de entrada, antes hay que extraer la manguera (**Figura 71**).
- Coloque el deflector de entrada con la abertura mirando hacia el lado izquierdo o el lado derecho de la bolsa filtrante. Deslice el collar de la bolsa filtrante por encima del deflector de entrada, de manera tal que las muescas del collar de la bolsa coincidan con las lengüetas del deflector de entrada. La bolsa sólo encaja correctamente de una manera (**Figura 72**).
- Deslice el deflector de entrada con la bolsa filtrante acoplada en la guía del deflector (**Figura 73**).
- Vuelva a insertar la manguera dentro de la entrada y ajuste la tuerca de fijación (**Figura 74**).
- Cuando esté en su lugar, abra la bolsa y colóquela alrededor del interior del depósito. Vuelva a instalar la cubierta del depósito.  
**NOTA:** Cuando retire la bolsa filtrante del depósito, retire el deflector de entrada del collar de la bolsa filtrante. Vuelva a instalar el deflector en la guía del deflector. El deflector de entrada debe estar colocado en su lugar para cualquier tipo de limpieza.



## BOLSA COLECTORA DE LÍQUIDOS / SÓLIDOS RESISTENTE A LAS ROTURAS

La bolsa colectoras de líquidos / sólidos resistente a las roturas puede usarse junto con el filtro de cartucho para aspirar residuos sólidos. No se necesita la bolsa para la aspiración de sólidos; sin embargo facilita la remoción de residuos y mantiene el depósito limpio. Cuando se aspira polvo fino o polvillo se debe usar una bolsa de alta eficiencia. Las bolsas de alta eficiencia son solo para aspiración de sólidos y no viene de fábrica con este modelo. La bolsa colectoras de líquidos / sólidos resistente a las roturas puede usarse junto con la manga de hule-espuma cuando se aspiran líquidos o se utiliza la función bomba. La bolsa atrapa residuos medianos a grandes que pueden estar en el líquido, mientras se permite que el líquido fluya a través de la bolsa e ingrese al depósito de la aspiradora. No es necesario usar la bolsa para aspirar líquidos, pero se recomienda cuando el líquido contiene residuos que podrían dañar el motor de la aspiradora. **NOTA:** Si se usa la bolsa para aspirar líquidos, debe sacarse del depósito y colgarse para secar.

### Para instalar la bolsa:

- Con el cable desconectado del tomacorriente, tire de los seguros hacia afuera para retirar la tapa del depósito.
- Desenrosque la tuerca de fijación de la manguera y sáquela de la entrada (**Figura 70**).
- Retire el deflector de entrada de la guía del deflector. **NOTA:** Para poder retirar el deflector de entrada, antes hay que extraer la manguera (**Figura 71**).
- Coloque el deflector de entrada con la abertura mirando hacia el lado izquierdo o el lado derecho de la bolsa filtrante. Deslice el collar de la bolsa filtrante por encima del deflector de entrada, de manera tal que las muescas del collar de la bolsa coincidan con las lengüetas del deflector de entrada. La bolsa sólo encaja correctamente de una manera (**Figura 72**).
- Deslice el deflector de entrada con la bolsa filtrante acoplada en la guía del deflector (**Figura 73**).
- Vuelva a insertar la manguera dentro de la entrada y ajuste la tuerca de fijación (**Figura 74**).
- Cuando esté en su lugar, abra la bolsa y colóquela alrededor del interior del depósito. Vuelva a instalar la cubierta del depósito.  
**NOTA:** Cuando retire la bolsa filtrante del depósito, retire el deflector de entrada del collar de la bolsa filtrante. Vuelva a instalar el deflector en la guía del deflector. El deflector de entrada debe estar colocado en su lugar para cualquier tipo de limpieza.
- Cuando esté en su lugar, abra la bolsa y colóquela alrededor del interior del depósito. Vuelva a instalar la cubierta del depósito.

### Para retirar la bolsa:

- Si la bolsa se usa para aspirar líquidos, mueva la aspiradora en el exterior o en un piso que

no se dañe si se derrama líquido.

- Asegúrese de que se haya desconectado el cable del tomacorriente, que se haya retirado la cubierta del depósito y que la manguera esté desconectada de la entrada al depósito.
- Sujete firmemente el collar de plástico y saque el protector de caucho del accesorio de entrada. Antes de retirar la bolsa del tanque, inserte la lengüeta de plástico conectada al collar dentro de la abertura de la bolsa.
- Si la bolsa se utilizó para aspirar sólidos, simplemente sujete la manija de plástico y retírela del depósito.
- Si la bolsa se utilizó para aspirar líquidos, sujete la manija de plástico y levante lentamente por la bolsa. Deje que drene el líquido de la bolsa al depósito. Si la bolsa no está llena, cuélguela y deje que se seque completamente. Una vez que se haya secado, compruebe que la bolsa no tenga roturas o agujeros. Si la bolsa está bien, puede reinstalarse. **NOTA:** Puede conseguir bolsas colectoras adicionales a través de su distribuidor local o del sitio en Internet de Shop-Vac®.

## ADVERTENCIA PARA PARTÍCULAS FINAS DE POLVO

Cuando aspire partículas finas de polvo de cualquier tipo (por ejemplo yeso, muro de mampostería, cenizas frías, polvo de cemento, etc.)... debe **utilizarse una bolsa filtrante para muro de mampostería de alta eficiencia**. Cuando se aspiran residuos y polvo en el hogar, se pueden utilizar las bolsas filtrantes desechables estándar para uso doméstico. Estos filtros con "bolsas grandes" se conectan al accesorio de entrada de aire en la parte interior del depósito de la aspiradora.

GUÍA DE SELECCIÓN DE FILTROS			90107 (S) FILTRO PARA SÓLIDOS REUTILIZABLE Y ANILLO DE MONTAJE se adaptan a la mayoría las aspiradoras para líquidos y sólidos Shop-Vac®.
TAMAÑO	Polvo fino Muro de mampostería	Estándar Uso doméstico	
5-8 gal. (18,9-30,3L).....	90671/1(Ⓐ)	90661/1(Ⓔ)	90585 (Ⓑ) MANGA DE FILTRO DE HULE-ESUMPA se adapta se adaptan a la mayoría las aspiradoras para líquidos y sólidos Shop-Vac®.
10-14 gal. (37,8-53L).....	90672/1(Ⓐ)	90662/1(Ⓔ)	
15-22 gal. (56,8-83,2L).....	90673/1(Ⓐ)	90663/1(Ⓔ)	
5-10 U.S. Gal. (18,9-37,8L)...	90215/1(ⓇⓇ)	90216/1(ⓇⓇ)	
12-20 U.S. Gal. (45,4-75,7L)...	90216/1(ⓇⓇ)	90216/1(ⓇⓇ)	
12-20 U.S. Gal. (18,9-37,8L)...	90216/1(ⓇⓇ)	90216/1(ⓇⓇ)	

## ASPIRACIÓN DE RESIDUOS LÍQUIDOS

Extraiga TODA la suciedad y los residuos que se encuentren en el depósito. La aspiradora requiere únicamente un mínimo de conversión para pasar del servicio de aspiración de materiales sólidos a aspiración de materiales líquidos. Retire todos los filtros usados para aspiración de sólidos de la aspiradora. Se puede utilizar un filtro de cartucho limpio para aspirar pequeñas cantidades de líquidos. Para una correcta instalación del filtro de cartucho, consulte la sección Instalación del Filtro de Cartucho. Para obtener mejores resultados cuando se aspiran grandes cantidades de líquido, retire el filtro de cartucho. Cuando se aspiran líquidos que contienen residuos, es recomendable comprar una manga de hule-espuma e instalarla sobre el alojamiento del filtro. En caso contrario, no es necesario utilizar una manga de hule-espuma para aspiración de líquidos. Se pueden adquirir mangas de hule-espuma y filtros adicionales visitando nuestro sitio en Internet [www.shopvac.com](http://www.shopvac.com), poniéndose en contacto con nuestro departamento de atención al cliente o comprando a su distribuidor local de Shop-Vac®.

Puede presentarse un rocío en el aire de emisión si el filtro se saturara durante la aspiración de materiales líquidos. Si hay rocío, saque y deje secar el filtro o reemplácelo con otro filtro seco para eliminar el rocío y el posible escurrimiento de líquido alrededor de la tapa. Apague la unidad inmediatamente después de terminar un trabajo de aspiración de materiales líquidos o cuando el depósito esté lleno y listo para ser vaciado. Eleve la manguera para drenar cualquier exceso de líquido dentro del depósito. El interior del depósito debe limpiarse periódicamente. La manga de hule-espuma debe limpiarse periódicamente como se describe en los siguientes pasos:

- Desconecte siempre el enchufe del tomacorriente de pared antes de retirar la cubierta del depósito. Coloque la cubierta del depósito en posición invertida. Retire la manga de hule-espuma deslizándola hacia arriba y afuera del alojamiento de la tapa.
- Sacuda el exceso de polvo de la manga de hule-espuma con un movimiento rápido hacia arriba y hacia abajo.
- Sostenga la manga de hule-espuma bajo el agua corriente por uno o dos minutos, enjuagando desde el interior. Dependiendo de la condición de la manga de hule-espuma, no siempre se requiere una limpieza con agua.
- Elimine el exceso de agua con cuidado, seque la manga de hule-espuma con una toalla limpia y déjala secar. La manga de hule-espuma está lista para ser reinstalada en el alojamiento de la tapa.

**NOTA:** LOS ACCESORIOS PARA ASPIRACIÓN DE LÍQUIDOS DEBEN LAVARSE DE MANERA PERIÓDICA, ESPECIALMENTE DESPUÉS DE ASPIRAR LÍQUIDOS O MATERIALES PEGAJOSOS QUE SE HAN DERRAMADO DEBIDO A ACCIDENTES EN LA COCINA. ESTO PUEDE LOGRARSE CON UNA SOLUCIÓN DE JABÓN CON AGUA TIBIA.

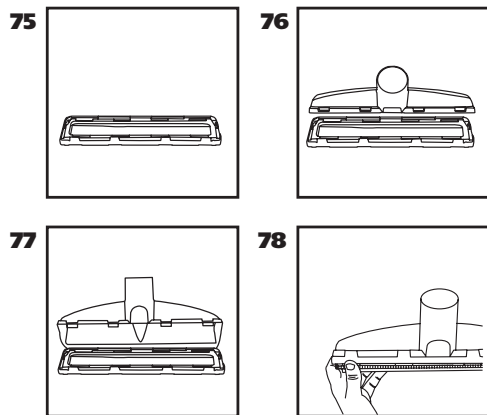
## INSTALACIÓN DE LA ZAPATA DE CEPILLO O ESCOBILLA SOBRE LA BOUQUILLA DE 14" (35,56 CM)

(Not standard with all models)

- Coloque la zapata sobre una superficie plana con las cuatro lengüetas mirando hacia arriba

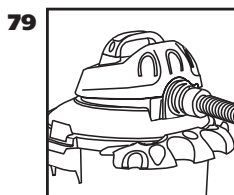
y lo más cerca posible de usted (Figura 75).

- Coloque la boquilla sobre la zapata con la abertura grande mirando hacia abajo y alinee con las cuatro ranuras lo más cerca de usted (Figura 76).
- Coloque el borde de la boquilla debajo de dos presillas sobre la zapata, sobre el lado más alejado de usted (Figura 77).
- Empuje la boquilla hacia abajo para unirla a la zapata.
- Comenzando por debajo de la lengüeta izquierda, empuje hacia arriba sobre el extremo inferior de la zapata hasta que la lengüeta encaje en su lugar (Figura 78). Repita con las lengüetas restantes. Asegúrese de que las cuatro lengüetas estén aseguradas en su lugar.
- Su boquilla con la zapata está lista para usarse.
- Si alguna vez necesita extraer la zapata, simplemente destrabe las cuatro lengüetas y con mucho cuidado tire de la zapata para alejarla de la boquilla desde los laterales de las lengüetas.



## FUNCIÓN DE SOPLADOR

Esta aspiradora puede utilizarse como un soplador potente. Para utilizar la unidad como un soplador, extraiga cualquier obstrucción de la manguera. Inserte la manguera de la máquina dentro del puerto del soplador en la parte posterior de la unidad (Figura 79). Tuerza ligeramente para ajustar la conexión. Debe tenerse mucho cuidado cuando se utiliza como soplador debido a la fuerza poderosa del aire cuando se utilizan ciertos accesorios.



**⚠ ADVERTENCIA** – UTILICE SIEMPRE PROTECCIÓN OCULAR PARA EVITAR QUE LAS PIEDRAS O ESCOMBROS ENTREN EN CONTACTO CON LOS OJOS O LA CARA AL SER DESPEDIDOS, LO QUE PODRÍA PRODUCIR LESIONES GRAVES.

## VACIADO DEL DESECHO LÍQUIDO DEL DEPÓSITO

*No todas las unidades están equipadas con drenaje del depósito. Siga las instrucciones que apliquen a su unidad.*

### Sin drenaje del depósito

Los desechos líquidos pueden vaciarse quitando la cubierta del depósito. Para vaciarlo, apague el motor y desconecte el enchufe de la toma de corriente de pared. Retire la cubierta del depósito y vacíe el desecho líquido en un drenaje adecuado. Una vez que haya vaciado el depósito, regrese la cubierta a su posición original. Para continuar usando el artefacto, conecte el enchufe en la toma de corriente de pared y encienda la unidad.

### Con drenaje del depósito

Los desechos líquidos pueden vaciarse quitando el drenaje del depósito. Para vaciarlos, apague la unidad y desconéctela de la toma de corriente de pared. Retire la tapa del drenaje y vacíe el desecho líquido en un drenaje adecuado. Una vez que haya vaciado el depósito, regrese la tapa de drenaje a su posición original. Para continuar usando el artefacto, conecte el enchufe en la toma de corriente de pared y encienda la unidad.

## APAGADO AUTOMÁTICO DE LA SUCCIÓN

La aspiradora está equipada con una función de apagado automático de la succión cuando está aspirando líquidos. A medida que el nivel de líquido se eleva en el depósito, un flotador interno se eleva hasta que se asienta contra un sello en la entrada del motor, apagando la succión. Cuando esto ocurre, el motor producirá un ruido muy agudo y se reducirá drásticamente la succión. Si esto ocurre, apague inmediatamente la unidad. Si no se apaga

la unidad después de que el flotador se eleve y apague la succión, se podría provocar graves daños al motor. Para continuar usando la aspiradora, vacíe el desecho líquido del depósito como se describe en el párrafo anterior.

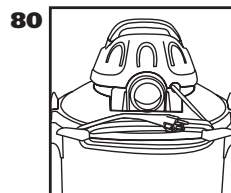
**NOTA:** SI LA ASPIRADORA SE INCLINA ACCIDENTALMENTE, PODRÍA PERDER SUCCIÓN. ESTO OCURRE, APAGUE LA ASPIRADORA Y COLÓQUELA EN POSICIÓN VERTICAL. ESTO PERMITIRÁ QUE EL FLOTADOR REGRESE A SU POSICIÓN NORMAL Y PODRÁ CONTINUAR CON LA OPERACIÓN.

## LUBRICACIÓN

No se requiere lubricación ya que el motor está equipado con cojinetes lubricados de por vida.

## ALMACENAMIENTO

Antes de almacenar su aspiradora, deberá vaciar y limpiar el depósito. Puede doblar el cable de corriente alrededor del soporte para enrollado de cable de la cubierta del depósito ubicado en la parte posterior de la unidad (Figura 80). Puede guardar los accesorios en el porta-herramientas (no común a todos los modelos), para que estén siempre disponibles. **La aspiradora debe almacenarse en el interior.**



## SOLUCIÓN DE PROBLEMAS

Problema	Posible causa	Remedio
La succión se debilita o se calienta	Filtro tapado	Cepille el polvo del filtro. Si el problema continúa, cambie el filtro.
	Fuga de aire	Revise que todas las juntas estén selladas (boquillas, manguera, etc.). Verifique que la cubierta del depósito esté bien sellada.
	Obstrucción en manguera o boquilla	Revise que no haya obstrucciones en boquillas, manguera, y extraígalas si las hubiere.
Condensación en el aire de descarga	Filtro saturado	Reemplace el filtro saturado con uno seco.

**⚠ ADVERTENCIA** – SI CUALQUIERA DE LAS PARTES DEL ALOJAMIENTO DEL MOTOR SE ROMPE O SE AFLOJA, DEJANDO EXPUESTO EL MOTOR O CUALQUIER COMPONENTE ELÉCTRICO, DEBERÁ SUSPENDERSE INMEDIATAMENTE EL USO DEL APARATO PARA EVITAR LESIONES PERSONALES O DAÑOS A LA PROPIA ASPIRADORA. DEBERÁ REPARARSE LA ASPIRADORA ANTES DE PODER UTILIZARLA NUEVAMENTE.

## GARANTÍA DE USO DOMÉSTICO POR CINCO AÑOS

Su aspiradora Shop-Vac® está garantizada para uso doméstico normal, de acuerdo con el Manual del Usuario, contra defectos originales en los materiales y en la mano de obra por un período de cinco años desde la fecha de compra. Si este producto se utilizara para fines comerciales o de alquiler, se aplicará una garantía limitada de 90 días. Shop-Vac Corporation garantiza la puesta de esta aspiradora en condiciones operativas correctas, ya sea mediante su reparación o el reemplazo de sus piezas, durante el período de garantía, y sin cargo alguno. Esta garantía no cubre los accesorios. La utilización de filtros y/o accesorios no recomendados puede anular la garantía del fabricante. Shop-Vac® no asume ninguna responsabilidad por daños o funcionamiento defectuoso causados por uso incorrecto, manipulación negligente, o cuando se han realizado reparaciones o modificaciones al equipo. No intente reparar usted mismo su aspiradora. El único mantenimiento que usted debe darle es el que se describe en el Manual del Usuario. Es necesario presentar comprobante con la fecha de compra. Esta garantía le otorga derechos legales específicos, y usted también puede tener otros derechos, que varían de un estado a otro o de una provincia a otra. Esta garantía no es válida fuera del territorio de los Estados Unidos y Canadá.

Cientes en los Estados Unidos: para soporte técnico, póngase en contacto con Shop-Vac Corporation, Atención al Cliente, al número (570) 326-3557, o visite [www.shopvac.com/support](http://www.shopvac.com/support). Visite [www.shopvac.com](http://www.shopvac.com) para un diagrama del listado de piezas de su aspiradora. Cientes en Canadá: para soporte técnico, devuelva la unidad completa (transporte prepago) al Centro de Servicio Técnico Autorizado de Shop-Vac® más cercano a su domicilio. Visite [www.shopvac.ca](http://www.shopvac.ca) para obtener una lista completa de los Centros de Servicio Técnico Autorizados en su área.

Cientes en México: para reparaciones del producto, consulte la documentación que recibió junto con la unidad.