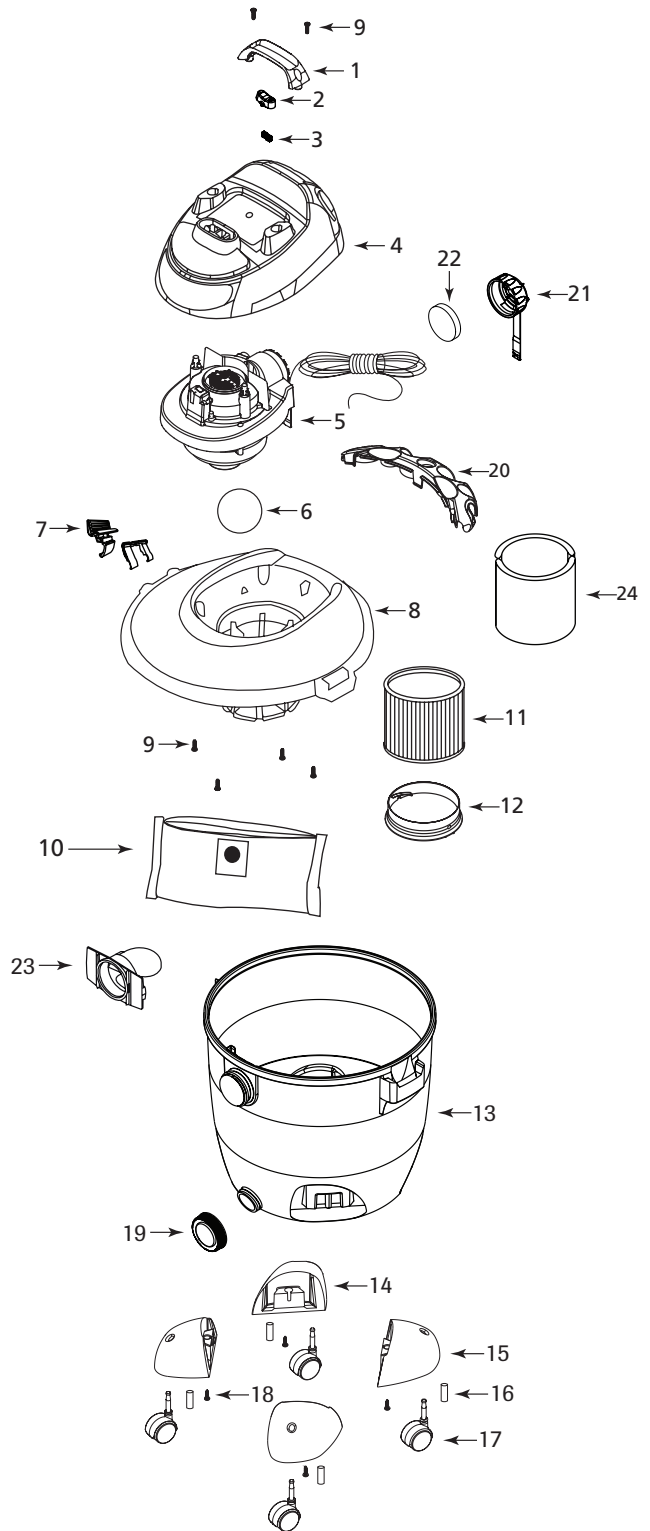


shop·vac®



ITEM	DESCRIPTION	PART NO.
1	Handle	3756155
2	Switch Rocker	8230411
3	Switch Extensions	7414255
4	Motor Cover (Includes 2-3)	1945439
5	Power Unit Assembly	8305097
6	Ball Float	0081120
7	Lid Latch	1945462
8	Lid Cage & Latch Assembly	3188122
9	Screw 10 x 3/4: Trilobe Twin Lead	1517699
10	Filter Bag	90216
11	Cartridge Filter	90350
12	Cartridge Retainer	3008000
13	Tank Assembly	1027397
14	Caster Foot A (Includes 16-17)	8567030
15	Caster Foot B (Includes 16-17)	8567050
16	Retainer	8565500
17	Caster	6774200
18	Screw 10 x 3/4" SL Hex Head	1503999
19	Drain Cap	7446800
20	Tool Holder	8412000
21	Diffuser/Tether (Includes 22)	1945329
22	Diffuser Foam	1290530
23	Inlet Deflector	7413120
24	Foam Sleeve	90585

*Replacement parts may differ from original equipment.