

This Owner's Manual is provided and hosted by [Appliance Factory Parts](#).



# Shop Vac SS16-650C Owner's Manual

[Shop genuine replacement parts for Shop Vac  
SS16-650C](#)



[Find Your Shop Vac Vacuum Cleaner Parts - Select From 498 Models](#)

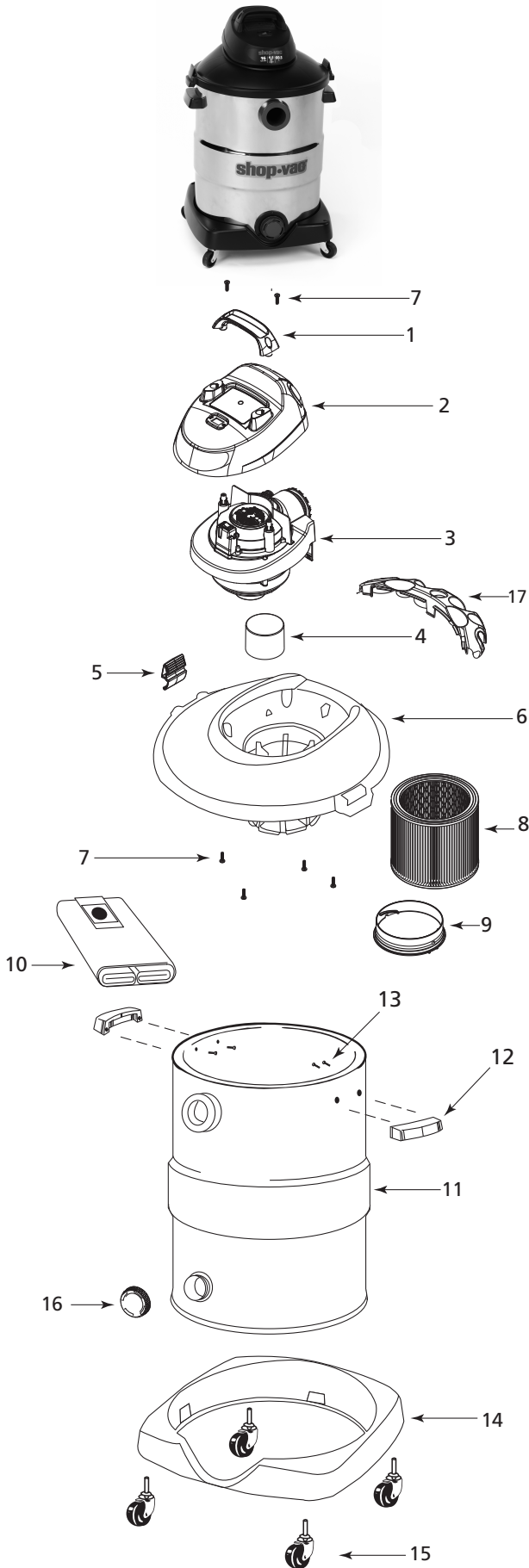
----- Manual continues below part list -----

## Available Replacement Parts for Shop Vac SS16-650C

<a href="#">9030433</a>	FILTER CARTRIDGE FOR VACUUM
<a href="#">3008000</a>	FILTER RETAINER
<a href="#">90663</a>	VACUUM BAG SHOP VACUUM 3 PACK
<a href="#">6773900</a>	CASTER (SEE ADD'L INFO)
<a href="#">3545000</a>	Cup Float.
<a href="#">1517699</a>	Screw.
<a href="#">8412000</a>	Tool Holder.
<a href="#">9355196</a>	HANDLE, SET BLACK (2 Handles in pack)
<a href="#">3756151</a>	Handle

# SS16 Series

# Model SS16-650C



ITEM	DESCRIPTION	PART NO.
1	Handle	3756151
2	Motor Cover	2433072
3	Power Unit Assembly	8301497
4	Float	3545000
5	Lid Latch	7444503
6	Lid Cage & Latch Assembly	3188120
7	Screw 10 x 3/4" Trilobe Twin Lead	1517699
8	Cartridge Filter	90304
9	Filter Retainer	3008000
10	Disposable Filter Bag	90663
11	Tank Assembly	5166297
12	Side Tank Handle	9355100
13	#10 x 3/4" Screw Hex Head	150399
14	Caster Dolly	9382550
15	Caster	6773900
16	Drain Cover	7446804
17	Tool Holder	8412000

\* Replacement parts may differ from original equipment.