

This Owner's Manual is provided and hosted by [Appliance Factory Parts](#).



Black & Decker DVJ325BFSP Owner's Manual

[Shop genuine replacement parts for Black & Decker
DVJ325BFSP](#)

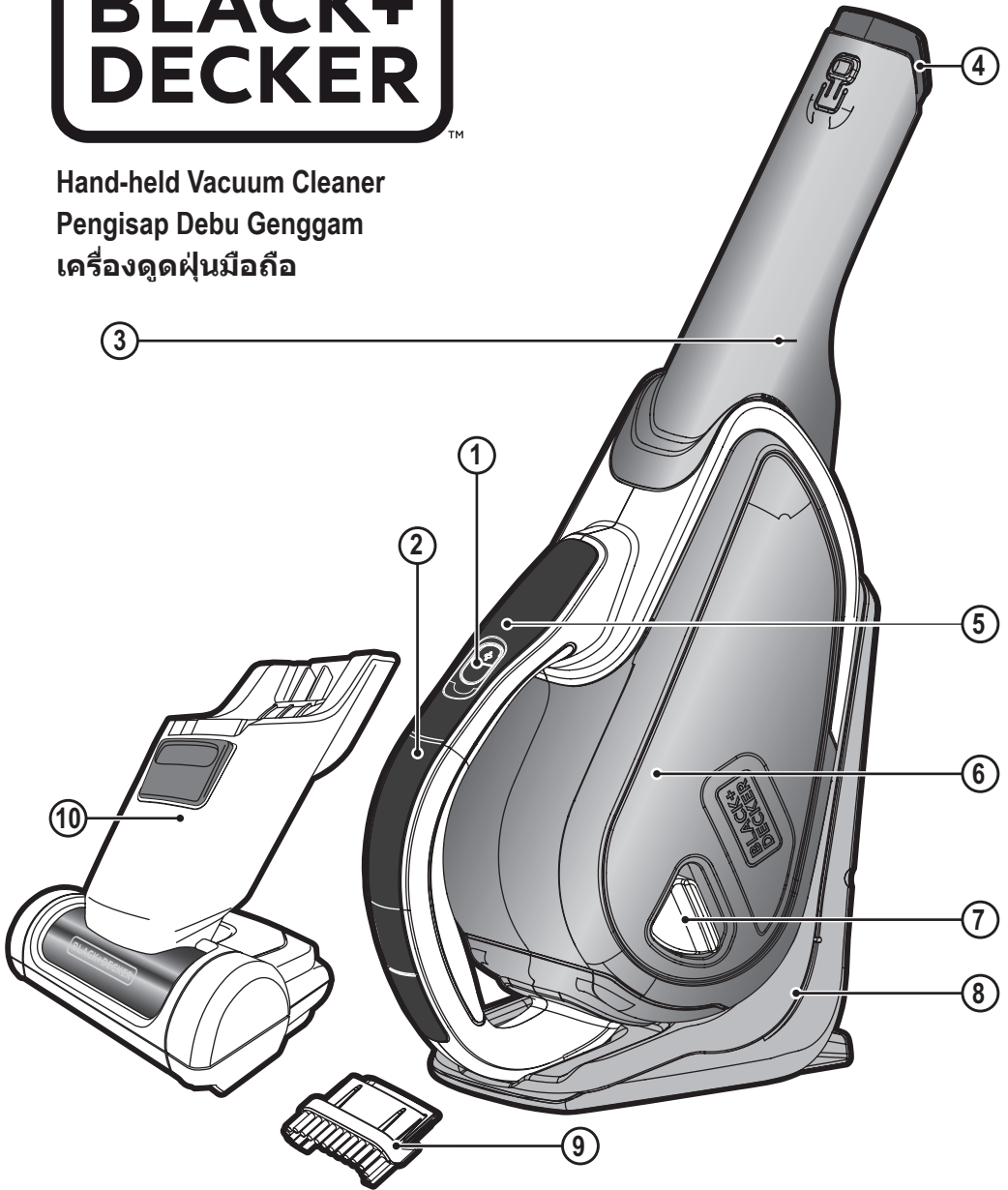


[Find Your Black & Decker Vacuum Cleaner Parts - Select From 339 Models](#)

----- Manual continues below -----

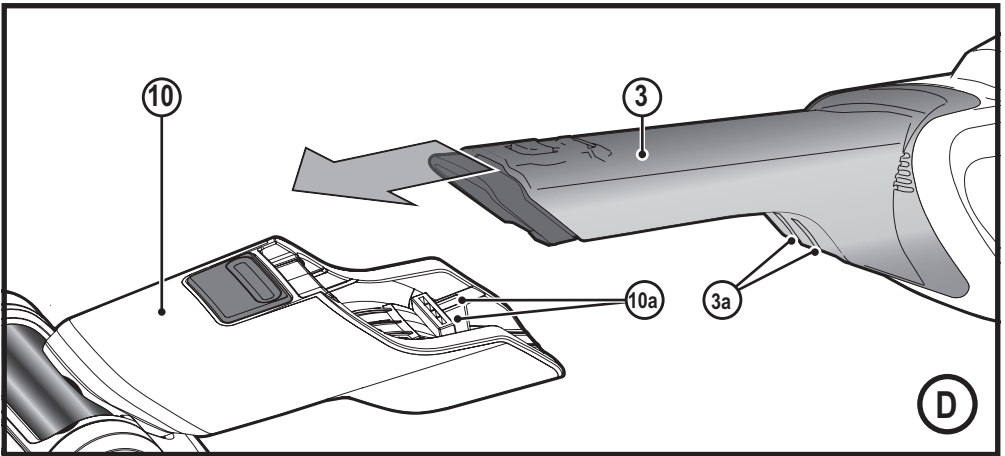
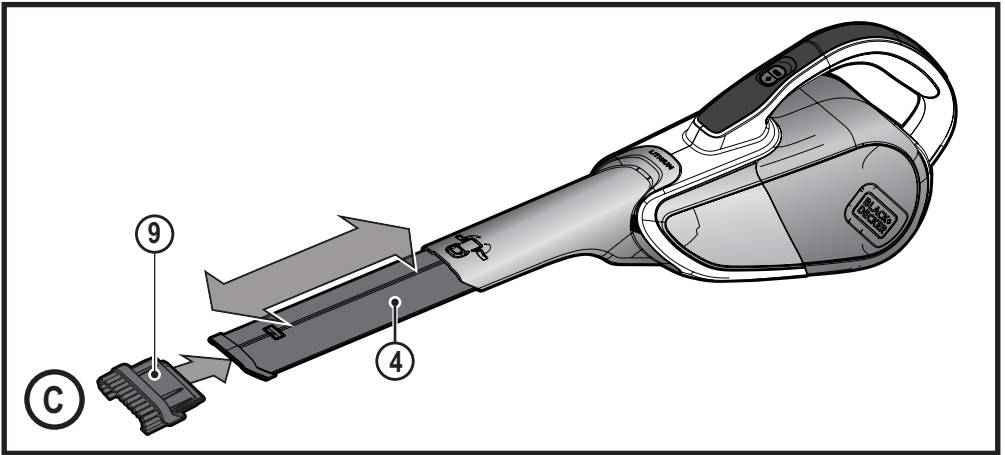
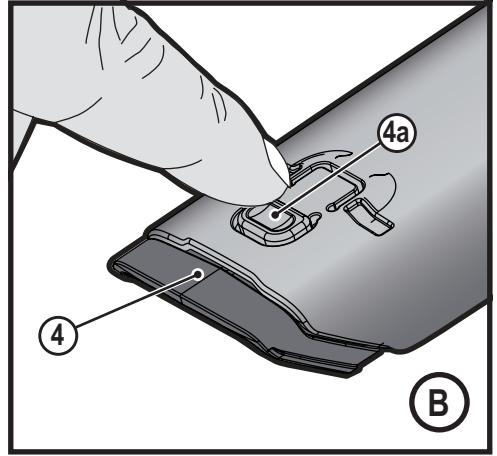
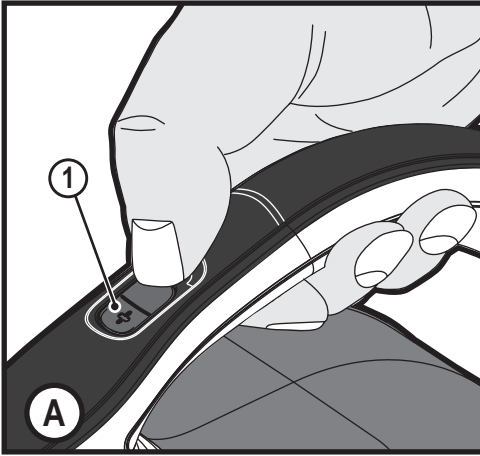


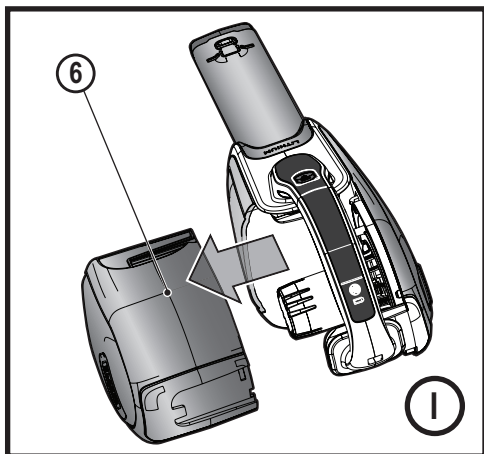
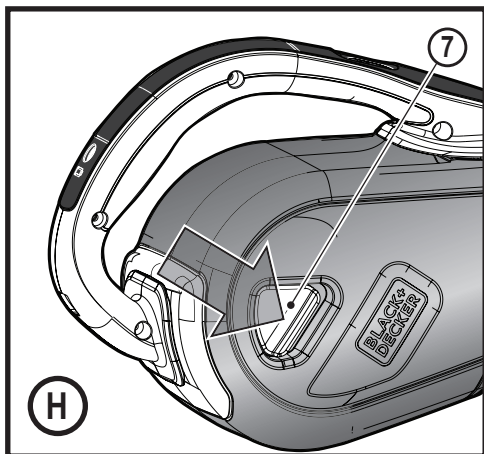
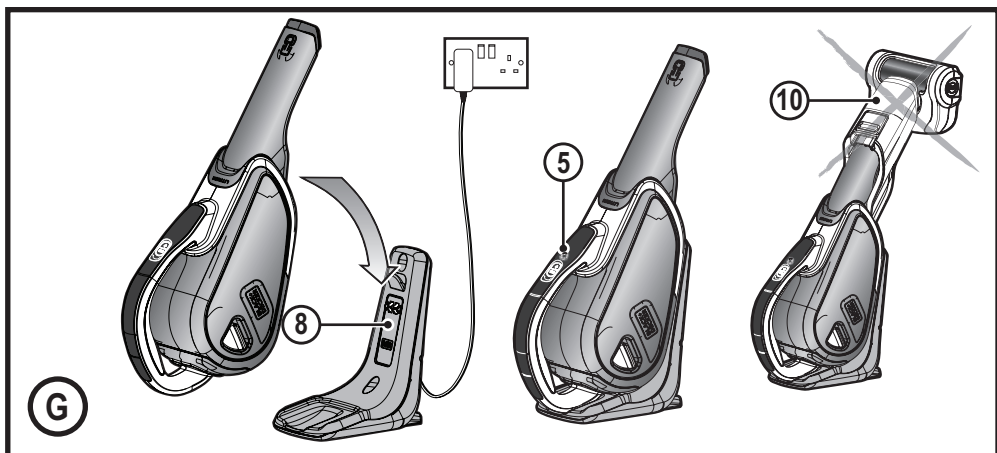
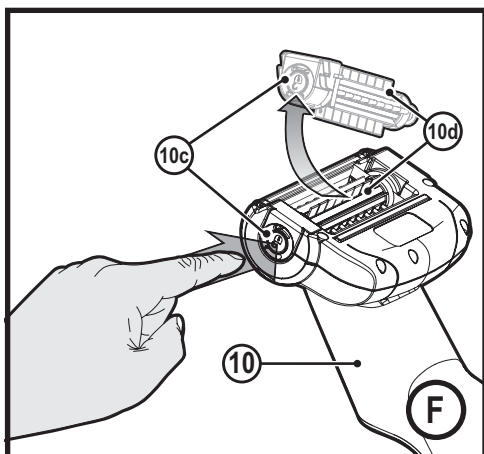
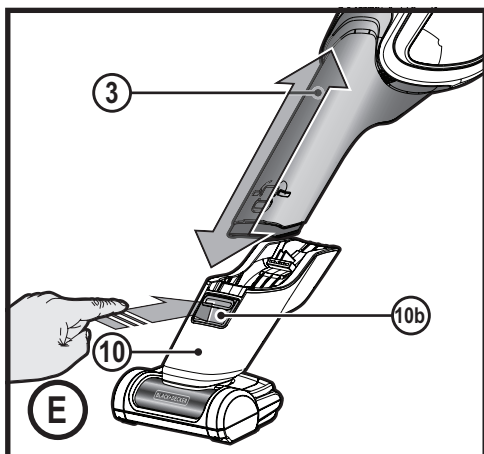
Hand-held Vacuum Cleaner
Pengisap Debu Genggam
เครื่องดูดฝุ่นมือถือ

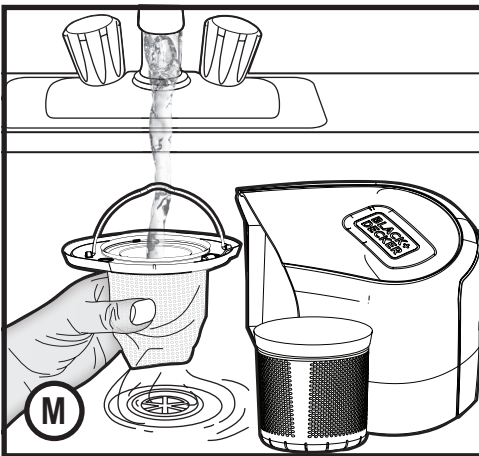
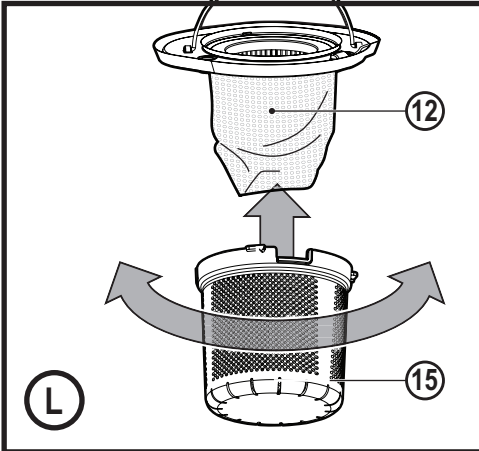
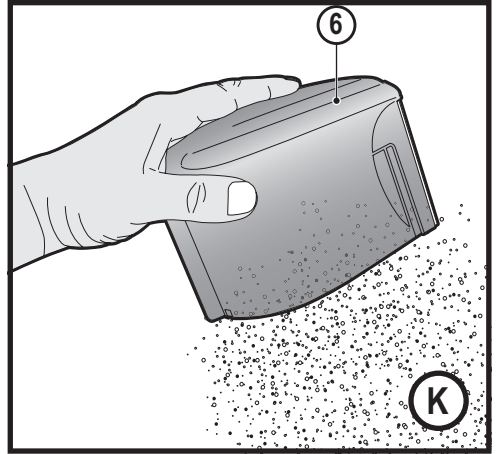
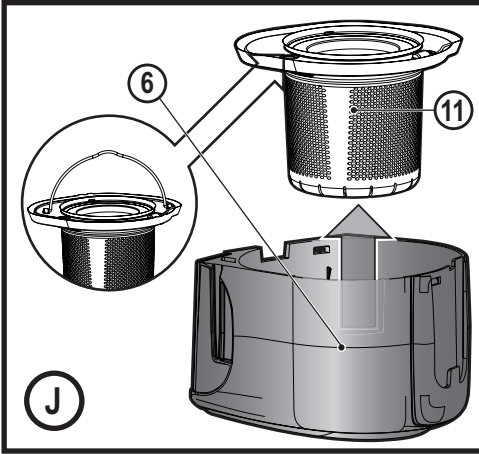


DVJ325BFSP

English	4
Bahasa Indonesia	10
ภาษาไทย	15







Intended use

Your Black + Decker DVJ325BFSP Dustbuster® hand-held vacuum cleaner has been designed for vacuum cleaning purposes. These appliances are intended for household use only.



Read all of this manual carefully before operating the appliance.

วัตถุประสงค์การใช้งาน

เครื่องดูดฝุ่น genggam BLACK + DECKER DVJ325BFSP Dustbuster® dirancang sebagai alat pembersih debu. Peralatan ini hanya ditujukan untuk penggunaan di rumah.



Baca seluruh panduan ini dengan cermat sebelum mengoperasikan peralatan.

วัตถุประสงค์การใช้งาน

เครื่องดูดฝุ่นมือถือ Black + Decker DVJ325BFSP Dustbuster® ออกแบบมาสำหรับการดูดทำความสะอาด เครื่องดูดฝุ่นนี้มีวัตถุประสงค์เพื่อใช้งานภายในบ้านเท่านั้น



โปรดอ่านคู่มือเล่มนี้ทั้งหมดอย่างละเอียดก่อนใช้งานเครื่องดูดฝุ่นนี้

Safety instructions



Warning! Read all safety warnings and all instructions.

Failure to follow the warnings and instructions listed below may result in electric shock, fire and/or serious injury.

- ◆ The intended use is described in this manual. The use of any accessory or attachment or the performance of any operation with this appliance other than those recommended in this instruction manual may present a risk of personal injury.
- ◆ Retain this manual for future reference.

Using your appliance

- ◆ Do not use the appliance to pick up liquids or any materials that could catch fire.
- ◆ Do not use the appliance near water.
- ◆ Do not immerse the appliance in water.
- ◆ Never pull the charger lead to disconnect the charger from the socket. Keep the charger lead away from heat, oil and sharp edges.
- ◆ This appliance can be used by children aged from 8 years and above and persons with reduced physical, sensory or mental capabilities or lack of experience and knowledge if they have been given supervision or instruction concerning use of the appliance in a safe way and understand the hazards involved. Children shall not play with the appliance. Cleaning and user

maintenance shall not be made by children without supervision.

Inspection and repairs

Before use, check the appliance for damaged or defective parts. Check for breakage of parts, damage to switches and any other conditions that may affect its operation.

- ◆ Do not use the appliance if any part is damaged or defective.
- ◆ Have any damaged or defective parts repaired or replaced by an authorized repair agent.
- ◆ Regularly check the charger lead for damage. Replace the charger if the lead is damaged or defective.
- ◆ Never attempt to remove or replace any parts other than those specified in this manual.

Additional safety instructions

After use

- ◆ Unplug the charger before cleaning the charger or charging base.
- ◆ When not in use, the appliance should be stored in a dry place.
- ◆ Children should not have access to stored appliances.

Residual risks

Additional residual risks may arise when using the tool which may not be included in the enclosed safety warnings. These risks can arise from misuse, prolonged use etc.

Even with the application of the relevant safety regulations and the implementation of safety devices, certain residual risks can not be avoided. These include:

- ◆ Injuries caused by touching any rotating/moving parts.
- ◆ Injuries caused when changing any parts, blades or accessories.
- ◆ Injuries caused by prolonged use of a tool. When using any tool for prolonged periods ensure you take regular breaks.
- ◆ Impairment of hearing.
- ◆ Health hazards caused by breathing dust developed when using your tool (example:- working with wood, especially oak, beech and MDF.)

Chargers

Your charger has been designed for a specific voltage. Always check that the mains voltage corresponds to the voltage on the rating plate.

Warning! Never attempt to replace the charger unit with a regular mains plug.

- ◆ Use your Black + Decker charger only to charge the battery in the appliance with which it was supplied. Other batteries could burst, causing personal injury and damage.
- ◆ Never attempt to charge non-rechargeable batteries.
- ◆ If the supply cord is damaged, it must be replaced by the manufacturer or an authorised Black + Decker Service Centre in order to avoid a hazard.

- ◆ Do not expose the charger to water.
- ◆ Do not open the charger.
- ◆ Do not probe the charger.
- ◆ The appliance/battery must be placed in a well ventilated area when charging.

Electrical safety

Symbols on the charger



Read all of this manual carefully before using the appliance.



This tool is double insulated; therefore no earth wire is required. Always check that the power supply corresponds to the voltage on the rating plate.



The charging base is intended for indoor use only.

Labels on appliance

The following symbols appear on this appliance along with the date code:



Read all of this manual carefully before using the appliance



Only use with charger S010Q 14

Features

This tool includes some or all of the following features.

1. On/off power switch
2. Handle
3. Nozzle
4. Pull out crevice tool
5. LED charging indicator
6. Dust bowl
7. Dust bowl release button
8. Charging base
9. Detachable push in brush accessory
10. Power head

Use

Switching on and off (Fig. A)

- ◆ Press the button (1) to turn on, the unit operates in slow speed, low power mode, conserving the battery life.

- ◆ Press the button (1) again, and the unit goes to a BOOST mode.
- ◆ Pressing the button (1) again will turn the product off.

Using the pull out crevice tool (Fig. B,C)

- ◆ Extend the crevice tool (4) as shown in figure C, until it clicks in place. The push in brush (9) can be fitted if required for dusting and upholstery cleaning.
- ◆ To retract the crevice tool (4) press the crevice tool release button (4a) allowing it to return to its normal position (Fig. B).

Attaching the power head (Fig. D)

- ◆ Slide the nozzle (3) into the opening of the power head (10), ensuring that the connectors (10a) engage with the recesses (3a). An audible click will be heard.

Detaching the power head (Fig. E)

- ◆ Push the power head release button (10b).
- ◆ Lift the main dustbuster unit from the power head (10).

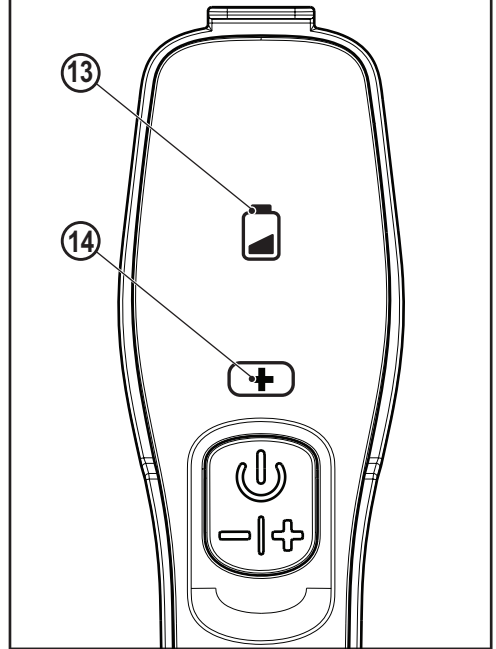
Removing the beater bar from the power head for cleaning (Fig. F)

- ◆ Press the beater bar release button (10c).
- ◆ Lift the beater bar (10d) up and out of the power head.
- ◆ The beater bar can now be freed from any hair and accumulated debris.

Charging (Fig. G)

- ◆ Place the appliance onto the charging base (8) and plug into the electrical outlet.
- ◆ Switch the electrical outlet on. The LED charging indicator (B) will illuminate.

Dual LED Display



13. LED Charging display

Battery icon is illuminated when appliance is switched on and will flash when the battery is almost depleted charging. It will also flash during charging (See LED pattern chart in this manual).

14. BOOST mode

Illuminates when the appliance is in BOOST mode.

LED Patterns	
	Charging
	Battery Fault
	Charger Fault
	Battery Hot

Warning! NEVER charge the unit with the power head attached, as this will cause the unit to unbalance and may cause safety problems.

Cleaning the filters (Fig. , H, I, J, K, L, M)

- ◆ Press the dust bowl release button (7) (Fig. H)
- ◆ Eject the dust bowl (6) (Fig. I)
- ◆ Lift the filter assembly (11) using the metal handle provided from the dust bowl (6) (Fig. J)

Note: On unit DVJ325BFSP the pre filter (15) is impregnated with a fragrance allowing for a pleasing odour to be released when the appliance is in use.

- ◆ Empty the dust bowl (6) by lightly shaking over a dustbin (Fig. K).
- ◆ The filter (12) can now be removed from the filter assembly (11) (Fig. L)
- ◆ Empty any remaining dust from the dust bowl.
- ◆ Rinse out the dust-bowl with warm soapy water.
- ◆ Wash the filters with warm soapy water (Fig. M).
- ◆ Make sure the filters are dry
- ◆ Refit the filters into the appliance.
- ◆ Close the dust-bowl. Make sure the release latch (7) clicks into place.

Warning! Before performing any maintenance or cleaning on the appliance, unplug the appliance.

From time to time wipe the appliance with a damp cloth. Do not use any abrasive or solvent-based cleaner. Do not immerse the appliance in water

Maintenance

Your Black + Decker cordless appliance has been designed to operate over a long period of time with a minimum of maintenance. Continuous satisfactory operation depends upon proper tool care and regular cleaning.

Warning! Before performing any maintenance on cordless appliances:

- ◆ Run the battery down completely if it is integral and then switch off.
- ◆ Unplug the charger before cleaning it. Your charger does not require any maintenance apart from regular cleaning.
- ◆ Regularly clean the ventilation slots in your appliance/charger using a soft brush or dry cloth.
- ◆ Regularly clean the motor housing using a damp cloth. Do not use any abrasive or solvent-based cleaner.

Replacing the filters

The filters should be replaced every 6 to 9 months and whenever worn or damaged. Replacement filters are available from your Black + Decker dealer.

There are also pre-scented filters available to be purchased. These fit all units. When these filters reach the end of their lifespan they must be disposed of at a local recycling centre.

Filters are supplied in foil packaging which need to be removed. To assemble filters see Fig. I.

Warning!

Cotton linen fragrance.



Wash face, hands and any exposed skin thoroughly after handling. Wear protective gloves/protective clothing/eye protection/face protection. If in eyes: Rinse cautiously with water for several minutes. Remove contact lenses if present and easy to do.



Continue rinsing. If skin irritation occurs: Get medical advice/attention. Avoid release into the environment. Do not ingest.

- ◆ Remove the old filters as described above.
- ◆ Fit the new filters as described above.

Protecting the environment



Separate collection. This product must not be disposed of with normal household waste.

Should you find one day that your Black + Decker product needs replacement, or if it is of no further use to you, do not dispose of it with household waste. Make this product available for separate collection.



Separate collection of used products and packaging allows materials to be recycled and used again. Re-use of recycled materials helps prevent environmental pollution and reduces the demand for raw materials.

Local regulations may provide for separate collection of electrical products from the household, at municipal waste sites or by the retailer when you purchase a new product.

Black + Decker provides a facility for the collection and recycling of Black + Decker products once they have reached the end of their working life. To take advantage of this service please return your product to any authorised repair agent who will collect them on our behalf.

Service Information

Black + Decker offers a full network of company-owned and authorized service locations throughout Asia. All Black + Decker Service Centers are staffed with trained personnel to provide customers with efficient and reliable product service.

Whether you need technical advice, repair, or genuine factory replacement parts, contact the Black + Decker location nearest to you.

NOTE

- ♦ Black + Decker's policy is one of continuous improvement to our products and, as such, we reserve the right to change product specifications without prior notice.
- ♦ Standard equipment and accessories may vary by country.
- ♦ Product specifications may differ by country.
- ♦ Complete product range may not be available in all countries. Contact your local Black + Decker dealers for range availability.

Technical Data

DVJ325BFSP	
Voltage	10.8V
Current	2.5Ah
Approx charging hours	7Hrs
Weight (Power Head + unit)	1.6Kg

Petunjuk keselamatan



Peringatan! Baca semua peringatan keselamatan dan petunjuk. Jika peringatan serta instruksi yang dicantumkan di bawah tidak dipatuhi, dapat menimbulkan sengatan listrik, kebakaran, dan/atau cedera parah.

- ♦ Tujuan penggunaan dijelaskan dalam panduan ini. Penggunaan aksesoris, peralatan tambahan, atau pengoperasian peralatan selain yang disarankan dalam panduan ini dapat menimbulkan risiko cedera badan.
- ♦ Simpan panduan ini untuk referensi di masa mendatang.

Menggunakan peralatan

- ♦ Jangan gunakan peralatan untuk membersihkan cairan atau bahan yang dapat terbakar.
- ♦ Jangan gunakan peralatan di dekat air.
- ♦ Jangan masukkan peralatan ke dalam air.
- ♦ Jangan tarik kabel pengisi daya untuk melepaskannya dari soket. Jauhkan kabel pengisi daya dari panas, minyak, dan tepian tajam.
- ♦ Peralatan ini dapat digunakan oleh anak-anak berusia 8 tahun ke atas, serta orang dengan keterbatasan fisik, pancaindra, maupun mental, atau yang tidak memiliki pengalaman dan pengetahuan memadai, jika mereka telah mendapatkan pengawasan atau petunjuk terkait penggunaan peralatan

ini secara aman dan memahami kemungkinan bahaya yang muncul. Peralatan ini tidak boleh dimainkan anak-anak. Pembersihan dan pemeliharaan oleh pengguna tidak boleh dilakukan oleh anak-anak tanpa pengawasan.

Pemeriksaan dan perbaikan

- Sebelum digunakan, pastikan tidak ada komponen yang rusak atau cacat. Periksa komponen pecah, kerusakan sakelar, dan kondisi lainnya yang dapat memengaruhi pengoperasian.
- ♦ Jangan gunakan peralatan jika ada komponen yang rusak atau cacat.
 - ♦ Minta agen perbaikan resmi untuk memperbaiki atau mengganti bagian yang rusak atau cacat.
 - ♦ Periksa secara rutin kabel pengisi daya untuk memastikan tidak ada kerusakan. Ganti pengisi daya jika kabel rusak atau cacat.
 - ♦ Jangan coba untuk melepas atau mengganti komponen mana pun selain yang disebutkan dalam panduan ini.

Petunjuk keselamatan tambahan

Setelah penggunaan

- ♦ Lepas pengisi daya sebelum membersihkan pengisi daya atau dudukannya.
- ♦ Saat tidak digunakan, peralatan harus disimpan di tempat kering.
- ♦ Jauhkan peralatan yang disimpan dari jangkauan anak-anak.

Risiko residu

Risiko residu lain dapat timbul bila penggunaan alat tidak sesuai dengan peringatan keselamatan yang disertakan. Risiko tersebut dapat timbul karena kesalahan penggunaan, penggunaan dalam waktu lama, dan sebagainya. Meskipun peraturan keselamatan yang relevan diterapkan dan perangkat keselamatan digunakan, risiko residu tertentu tidak dapat dihindari. Risiko tersebut mencakup:

- ◆ Cedera karena menyentuh komponen yang berputar/bergerak.
- ◆ Cedera yang terjadi saat mengganti komponen, bilah, atau aksesoris.
- ◆ Cedera karena penggunaan peralatan dalam waktu lama. Saat menggunakan peralatan apa pun dalam waktu lama, pastikan Anda meluangkan waktu untuk beristirahat.
- ◆ Gangguan pendengaran.
- ◆ Bahaya kesehatan karena menghirup debu yang timbul saat menggunakan peralatan (misalnya: menggunakan kayu, khususnya kayu ek, beech, dan MDF.)

Pengisi daya

Pengisi daya dirancang untuk tegangan tertentu. Selalu pastikan bahwa tegangan utama sesuai dengan tegangan pada pelat nilai arus.

Peringatan! Jangan coba mengganti unit pengisi daya dengan steker daya biasa.

- ◆ Gunakan pengisi daya BLACK + DECKER hanya untuk mengisi daya

baterai peralatan yang diberikan bersama pengisi daya tersebut. Penggunaan baterai lain dapat meledak, yang mengakibatkan cedera badan dan kerusakan.

- ◆ Jangan coba mengisi daya baterai yang tidak dapat diisi ulang.
- ◆ Kabel daya yang rusak harus diganti oleh produsen atau Pusat Layanan resmi BLACK + DECKER untuk menghindari bahaya.
- ◆ Pastikan pengisi daya tidak terkena air.
- ◆ Jangan buka pengisi daya.
- ◆ Jangan tusuk pengisi daya.
- ◆ Saat mengisi daya, peralatan/baterai harus diletakkan di area berventilasi baik.

Keamanan listrik

Simbol pada pengisi daya



Baca seluruh panduan ini dengan cermat sebelum menggunakan peralatan.



Alat ini berinsulasi ganda; sehingga kabel pengardean tidak diperlukan. Selalu pastikan bahwa catu daya sesuai dengan tegangan pada pelat nilai arus.



Dudukan pengisi daya hanya ditujukan untuk penggunaan di dalam ruangan.

Label pada peralatan

Simbol berikut ini terdapat pada peralatan bersama kode tanggal:



Baca seluruh panduan ini dengan cermat sebelum menggunakan peralatan



Hanya gunakan pengisi daya S010Q 14

Fitur

Alat ini dilengkapi beberapa atau semua fitur berikut ini.

1. Sakelar daya hidup/mati
2. Gagang
3. Nosel
4. Pipa yang dapat ditarik
5. LED indikator pengisian daya
6. Penampung debu
7. Tombol pelepas penampung debu
8. Dudukan pengisi daya
9. Aksesori sikat tambahan yang dapat dilepas
10. Power head

Penggunaan

Menghidupkan dan mematikan (Gambar A)

- ♦ Tekan tombol (1) untuk menghidupkan. Unit beroperasi pada kecepatan rendah, mode daya rendah, menghemat masa pakai baterai.
- ♦ Tekan lagi tombol (1), dan unit akan beralih ke mode BOOST.
- ♦ Tekan lagi tombol (1) untuk mematikan produk.

Menggunakan pipa yang dapat ditarik (Gambar B, C)

- ♦ Panjangkan pipa (4) seperti ditunjukkan dalam gambar C, hingga terdengar bunyi klik. Sikat tambahan (9) dapat dipasang jika diperlukan untuk membersihkan debu dan kain pelapis.
- ♦ Untuk melepas pipa (4), tekan tombol pelepas pipa (4a) untuk mengembalikan ke posisi normal (Gambar B).

Memasang power head (Gambar D)

- ♦ Geser nosel (3) ke dalam mulut power head (10). Pastikan penghubung (10a) terpasang pada celah (3a). Akan terdengar bunyi klik.

Melepas power head (Gambar E)

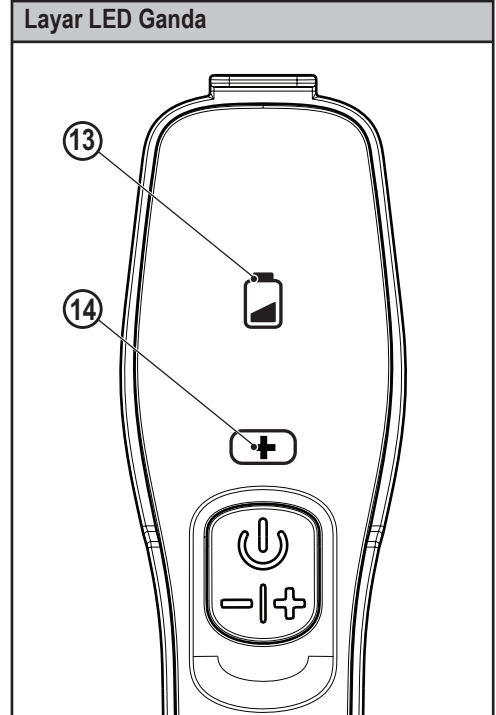
- ♦ Tekan tombol pelepas power head (10b).
- ♦ Angkat unit dustbuster utama dari power head (10).

Mengeluarkan sikat putar dari power head untuk dibersihkan (Gambar F)

- ♦ Tekan tombol pelepas sikat putar (10c).
- ♦ Angkat sikat putar (10d), lalu keluarkan dari power head.
- ♦ Setelah itu, sikat putar dapat dibersihkan dari rambut dan kotoran yang menumpuk.

Mengisi daya (Gambar G)

- ♦ Letakkan peralatan pada dudukan pengisi daya (8), lalu sambungkan ke stopkontak.
- ♦ Hidupkan stopkontak. LED indikator pengisian daya (B) akan menyala.



13. Tampilan LED Pengisian daya

Ikona baterai akan menyala saat peralatan dihidupkan dan akan berkedip saat baterai hampir habis. Ikona baterai juga akan berkedip selama pengisian daya (Lihat skema pola LED dalam petunjuk ini).

14. Mode BOOST

Menyala saat peralatan dalam mode BOOST.

Pola LED	
	Mengisi Daya
	Kesalahan Baterai
	Kesalahan Pengisi Daya
	Baterai Terlalu Panas

Peringatan! Jangan isi daya unit saat power head terpasang, karena akan menyebabkan unit tidak seimbang dan dapat mengganggu keselamatan.

Membersihkan filter (Gambar H, I, J, K, L, M)

- ♦ Tekan tombol pelepas penampung debu (7) (Gambar H)
- ♦ Keluarkan penampung debu (6) (Gambar I)
- ♦ Angkat unit filter (11) dari penampung debu (6) menggunakan gagang besi yang disediakan (Gambar J)

Catatan: Pada unit DVJ325BFSP, filter yang disertakan (15) dilengkapi pewangi yang menghasilkan aroma menyenangkan saat peralatan digunakan.

- ♦ Kosongkan penampung debu (6) dengan mengguncangnya perlahan di atas tempat sampah (Gambar K)
- ♦ Keluarkan filter (12) dari unit filter (11) (Gambar L)
- ♦ Bersihkan sisa debu pada penampung debu.
- ♦ Bilas penampung debu dengan air sabun hangat.
- ♦ Cuci filter dengan air sabun hangat (Gambar M).
- ♦ Pastikan filter telah kering
- ♦ Pasang kembali filter ke dalam peralatan.
- ♦ Tutup penampung debu. Pastikan pengunci (7) berbunyi klik.

Peringatan! Sebelum merawat atau membersihkan peralatan, lepas peralatan dari stopkontak.

Bersihkan peralatan dengan kain lembap secara berkala. Jangan gunakan bahan pembersih abrasif atau pembersih berbahan dasar larutan apa pun. Jangan masukkan peralatan ke dalam air.

Pemeliharaan

Peralatan BLACK + DECKER nirkabel dirancang untuk penggunaan jangka panjang dengan pemeliharaan minimal. Alat ini dapat digunakan dengan baik dalam waktu lama bila dirawat dengan baik dan rutin dibersihkan.

Peringatan! Sebelum melakukan pemeliharaan apa pun untuk peralatan tanpa kabel:

- ♦ Habiskan daya baterai jika menggunakan baterai tertanam, lalu kemudian matikan.
- ♦ Lepas pengisi daya sebelum membersihkan. Pengisi daya tidak memerlukan pemeliharaan selain pembersihan secara teratur.
- ♦ Bersihkan secara teratur celah ventilasi peralatan/pengisi daya menggunakan sikat lembut atau kain kering.
- ♦ Bersihkan rangka mesin secara teratur menggunakan kain lembap. Jangan gunakan bahan pembersih abrasif atau pembersih berbahan dasar larutan apa pun.

Mengganti filter

Filter harus diganti setiap 6 hingga 9 bulan, atau jika telah usang atau rusak. Filter pengganti disediakan oleh dealer BLACK + DECKER.

Tersedia juga filter tanpa pewangi. Filter ini cocok untuk semua unit. Saat filter sudah tidak dapat digunakan, buang di pusat daur ulang setempat.

Filter tersedia dalam kemasan foil yang harus dilepaskan. Untuk memasang filter, lihat Gambar I.

Peringatan!

Pewangi linen katun.



Bersihkan muka, tangan, dan seluruh kulit yang terpapar setelah pemakaian. Gunakan sarung tangan pelindung/pakaian pelindung/pelindung mata/pelindung muka. Jika mengenai mata: Bilas secara hati-hati dengan air selama beberapa menit. Lepaskan lensa kontak jika ada dan mudah dilakukan.



Lanjutkan pembilasan. Jika terjadi iritasi kulit: Lakukan pengobatan/perawatan medis. Jangan buang ke lingkungan.

- ♦ Lepaskan filter lama seperti dijelaskan di atas.
- ♦ Pasang filter baru seperti dijelaskan di atas.

Melindungi lingkungan



Pengumpulan terpisah. Produk ini tidak boleh dibuang bersama limbah rumah tangga biasa.

Jika suatu saat produk BLACK + DECKER Anda perlu diganti, atau tidak lagi digunakan, jangan buang produk bersama limbah rumah tangga. Kumpulkan secara terpisah.



Pengumpulan produk dan kemasan habis pakai secara terpisah memungkinkan bahan didaur ulang dan digunakan kembali. Penggunaan kembali bahan daur ulang akan membantu mencegah polusi lingkungan dan mengurangi permintaan bahan baku.

Peraturan lokal mungkin menyediakan tempat pengumpulan terpisah produk elektrik dari limbah rumah tangga, di lokasi pembuangan sampah kota atau oleh penjual tempat Anda membeli produk baru.

BLACK + DECKER menyediakan fasilitas pengumpulan dan daur ulang untuk produk BLACK + DECKER yang tidak berfungsi lagi. Untuk menggunakan layanan ini, kembalikan produk ke agen perbaikan resmi yang akan mengumpulkannya atas nama kami.

Informasi Servis

BLACK + DECKER menawarkan jaringan lengkap lokasi servis resmi milik perusahaan di seluruh Asia. Semua Pusat Servis BLACK + DECKER memiliki staf terlatih agar dapat memberikan layanan produk yang efisien dan andal kepada konsumen.

Bila Anda memerlukan saran teknis, perbaikan, atau komponen pengganti asli pabrik, hubungi lokasi BLACK + DECKER terdekat.

CATATAN

- ♦ BLACK + DECKER memiliki kebijakan untuk terus meningkatkan produk, dan karenanya kami berhak mengubah spesifikasi produk tanpa pemberitahuan sebelumnya.
- ♦ Peralatan dan aksesoris standar dapat beragam menurut negara.
- ♦ Spesifikasi produk dapat beragam menurut negara.
- ♦ Rangkaian produk lengkap mungkin tidak tersedia di semua negara. Untuk mengetahui ketersediaan produk, hubungi dealer BLACK + DECKER setempat Anda.

Data Teknis

DVJ325BFSP	
Tegangan	10,8V
Arus	2,5Ah
Perkiraan waktu pengisian daya	7 jam
Berat (Power Head + unit)	1,6Kg

Di Impor oleh : PT. Stanley BLACK+DECKER

Alamat : Menara Standard Chartered Level 31

Jl. Prof. Dr. Satrio No. 164 RT/RW 003/004 Kel. Karet, Kec. Setiabudi
Jakarta Selatan, 12930 - Indonesia

ข้อปฏิบัติเพื่อความปลอดภัย



คำเตือน! โปรดอ่านคำเตือน เพื่อความปลอดภัยและคำแนะนำทั้งหมด

การไม่ปฏิบัติตามคำเตือนและคำแนะนำเหล่านี้ อาจทำให้ถูกไฟฟ้าช็อต เกิดเพลิงไหม้ และ/หรือบาดเจ็บสาหัสได้

- ♦ มีการอธิบายวัตถุประสงค์การใช้งานไว้ในคู่มือนี้แล้ว การใช้อุปกรณ์เสริมหรืออุปกรณ์ยึดติด หรือการใช้งานใดๆ กับเครื่องดูดฝุ่นนั้นนอกเหนือจากที่ได้แนะนำในคู่มือการใช้งานนี้ อาจเสี่ยงต่อการได้รับบาดเจ็บ
- ♦ โปรดเก็บรักษาคู่มือนี้ไว้เพื่อการอ้างอิงในอนาคต

การใช้เครื่องดูดฝุ่นของคุณ

- ♦ ห้ามใช้เครื่องดูดฝุ่นนี้ดูดของเหลวหรือวัสดุใดๆ ที่อาจก่อให้เกิดไฟไหม้
- ♦ ห้ามใช้เครื่องดูดฝุ่นใกล้บริเวณที่มีน้ำ
- ♦ ห้ามจุ่มเครื่องดูดฝุ่นลงในน้ำ
- ♦ ห้ามดึงสายชาร์จเพื่อถอดเครื่องชาร์จออกจากเต้ารับ เก็บสายชาร์จให้พ้นจากความร้อน น้ำมัน และของมีคม
- ♦ เด็กที่มีอายุตั้งแต่ 8 ปีขึ้นไป และบุคคลที่มีความบกพร่องทางร่างกายทางการรับรู้ความรู้สึก ทางจิตประสาท หรือขาดประสบการณ์และความรู้ สามารถใช้เครื่องดูดฝุ่นนี้ได้หากมีการควบคุมดูแลหรือให้คำแนะนำการใช้เครื่องดูดฝุ่นอย่างปลอดภัยและเข้าใจถึงอันตรายที่อาจเกิดขึ้น ห้ามเด็กเล่นเครื่องดูดฝุ่น ไม่ควรให้เด็กทำความสะอาดและบำรุงรักษาเครื่องโดยไม่มีการควบคุมดูแล

การตรวจสอบและซ่อมแซม

โปรดตรวจสอบเครื่องดูดฝุ่นเพื่อหาชิ้นส่วนที่บกพร่องหรือชำรุดเสียหายก่อนใช้งาน ตรวจสอบว่ามีการแตกหักของชิ้นส่วน ความเสียหายของตัวสวิตช์ และสภาพอื่นใดที่อาจส่งผลกระทบต่อการใช้งานหรือไม่

- ♦ ห้ามใช้เครื่องดูดฝุ่นหากมีชิ้นส่วนใดๆ ชำรุดเสียหายหรือบกพร่อง
- ♦ โปรดส่งเครื่องให้ศูนย์ซ่อมที่ได้รับอนุญาตเป็นผู้ซ่อมแซมหรือเปลี่ยนชิ้นส่วนที่ชำรุดหรือบกพร่อง
- ♦ ตรวจสอบความเสียหายของสายชาร์จอยู่เสมอ เปลี่ยนเครื่องชาร์จหากสายเกิดชำรุดเสียหายหรือบกพร่อง
- ♦ อย่าพยายามถอดหรือเปลี่ยนชิ้นส่วนใดๆ นอกเหนือจากที่ระบุในคู่มือนี้

คำแนะนำเพื่อความปลอดภัยเพิ่มเติม

หลังจากการใช้

- ♦ ถอดปลั๊กสายชาร์จก่อนทำความสะอาด สะอาดสายชาร์จหรือฐานชาร์จ
- ♦ ควรเก็บเครื่องดูดฝุ่นไว้ในที่แห้งเมื่อไม่ได้ใช้งาน
- ♦ เด็กๆ ไม่ควรเข้าถึงเครื่องดูดฝุ่นที่เก็บเอาไว้ได้

ความเสี่ยงอื่นๆ ที่ยังมีอยู่

ความเสี่ยงอื่นๆ ที่ไม่ได้ระบุในคำเตือนเพื่อความปลอดภัยนี้ อาจเกิดขึ้นได้เมื่อใช้เครื่องมือ ความเสี่ยงเหล่านี้อาจเกิดจากการใช้อย่างไม่ถูกต้อง การใช้เป็นเวลานาน เป็นต้น

แม้ว่าจะปฏิบัติตามข้อกำหนดด้านความปลอดภัยที่เกี่ยวข้อง และใช้อุปกรณ์นิรภัย แต่ความเสี่ยงอื่นๆ ที่ยังมีอยู่บางอย่างก็ไม่สามารถหลีกเลี่ยงได้ ความเสี่ยงเหล่านั้นได้แก่

- ♦ การบาดเจ็บที่เกิดจากการสัมผัสชิ้นส่วนที่หมุน/เคลื่อนที่
- ♦ การบาดเจ็บที่เกิดขณะเปลี่ยนชิ้นส่วนใบเลื่อย หรืออุปกรณ์เสริม
- ♦ การบาดเจ็บที่เกิดจากการใช้เครื่องมือเป็นระยะเวลานาน เมื่อใช้งานเครื่องมือใดๆ ต่อเนื่องเป็นระยะเวลานาน ต้องแน่ใจว่าคุณได้หยุดพักเป็นระยะ
- ♦ ความบกพร่องในการได้ยินเสียง
- ♦ อันตรายต่อสุขภาพที่เกิดจากการสูดดมฝุ่นจากการใช้เครื่องมือ (ตัวอย่างเช่น การทำงานกับไม้ โดยเฉพาะไม้โอ๊ค ไม้บีช และไม้ MDF)

เครื่องชาร์จ

เครื่องชาร์จของคุณได้รับการออกแบบมาสำหรับแรงดันไฟฟ้าที่กำหนดไว้โดยเฉพาะ ต้องตรวจสอบกำลังไฟเพื่อให้ตรงกับแรงดันไฟฟ้าบนแผ่นแสดงพิกัดเสมอ

คำเตือน! ห้ามเปลี่ยนสายปลั๊กไฟของเครื่องชาร์จเป็นสายปลั๊กไฟธรรมดาโดยเด็ดขาด

- ♦ ใช้เฉพาะเครื่องชาร์จ Black + Decker ที่ให้มาพร้อมกันเพื่อชาร์จแบตเตอรี่ภายในเครื่องดูดฝุ่นเท่านั้น การชาร์จแบตเตอรี่ชนิดอื่นๆ อาจทำให้แบตเตอรี่ระเบิดและเกิดการบาดเจ็บและความเสียหายได้
- ♦ ห้ามพยายามชาร์จแบตเตอรี่ที่ไม่สามารถชาร์จซ้ำได้

- ♦ หากสายไฟของตัวเครื่องชำรุดเสียหาย จะต้องเปลี่ยนโดยผู้ผลิตหรือศูนย์บริการของ Black + Decker ที่ได้รับอนุญาตเพื่อหลีกเลี่ยงอันตรายที่อาจเกิดขึ้นได้
- ♦ ห้ามให้เครื่องชาร์จสัมผัสน้ำ
- ♦ ห้ามแกะเปิดเครื่องชาร์จ
- ♦ ห้ามใช้สิ่งใดหย�เข้าไปในตัวเครื่องชาร์จ
- ♦ ต้องวางอุปกรณ์/เครื่องดูดฝุ่น/แบตเตอรี่ไว้ในบริเวณที่มีการระบายอากาศได้ดีขณะชาร์จ

ความปลอดภัยทางไฟฟ้า

สัญลักษณ์ต่างๆ บนเครื่องชาร์จ



อ่านคู่มือเล่มนี้ทั้งหมดอย่างละเอียดก่อนใช้งานเครื่องดูดฝุ่นนี้



เครื่องมือนี้มีฉนวนสองชั้น ดังนั้นจึงไม่จำเป็นต้องต่อสายดิน ต้องตรวจสอบกำลังไฟเพื่อให้ตรงกับแรงดันไฟฟ้าบนแผ่นแสดงพิกัดเสมอ



ฐานเครื่องชาร์จนี้มีวัตถุประสงค์เพื่อการใช้งานในที่ร่มเท่านั้น

ป้ายบนตัวเครื่องดูดฝุ่น

สัญลักษณ์ต่อไปนี้จะปรากฏบนอุปกรณ์นี้พร้อมรหัสวันที่ต่อไปนี่



อ่านคู่มือเล่มนี้ทั้งหมดอย่างละเอียดก่อนใช้งานเครื่องดูดฝุ่นนี้



ใช้กับเครื่องชาร์จ S010Q 14 เท่านั้น

คุณสมบัติ

เครื่องมือนี้มีคุณสมบัติบางส่วนหรือทั้งหมดต่อไปนี้

1. สวิตช์เปิด/ปิด
2. ต่อมจับ
3. ท่อดูดฝุ่น
4. ท่อยืดสำหรับดูดฝุ่นในที่แคบ
5. ไฟ LED บอกลสถานะการชาร์จ
6. ที่เก็บฝุ่น
7. ปุ่มปล่อยที่เก็บฝุ่น
8. ฐานชาร์จ

9. อุปกรณ์เสริม หัวแปรงที่สามารถถอดออกได้
10. หัวดูดฝุ่นกำลังสูง

การใช้งาน

การเปิดและปิดสวิตช์ (รูป A)

- ♦ กดปุ่ม (1) เพื่อเปิด เครื่องจะทำงานในโหมดความเร็วต่ำ แรงดูดต่ำ เพื่อประหยัดแบตเตอรี่
- ♦ กดปุ่ม (1) อีกครั้ง และเครื่องจะเข้าสู่โหมด BOOST
- ♦ กดปุ่ม (1) อีกครั้งจะเป็นการปิดเครื่อง

การใช้ท่อยึดสำหรับดูดฝุ่นในที่แคบ (รูป B,C)

- ♦ ดึงท่อยึดสำหรับดูดฝุ่นในที่แคบ (4) ตามที่แสดงในรูป C จนกว่าจะได้ยินเสียงคลิก สามารถติดตั้งหัวแปรงที่สามารถถอดออกได้ (9) หากจำเป็นต้องทำความสะอาดฝุ่นและเบาะต่างๆ
- ♦ หากไม่ต้องการใช้งานท่อยึดสำหรับดูดฝุ่นในที่แคบ (4) ให้กดปุ่มปล่อยท่อยึดสำหรับดูดฝุ่นในที่แคบ (4a) ซึ่งจะทำให้ท่อยึดสำหรับดูดฝุ่นในที่แคบกลับสู่ตำแหน่งปกติ (รูป B)

การติดตั้งหัวดูดฝุ่นกำลังสูง (รูป D)

- ♦ ดันท่อดูดฝุ่น (3) เข้าที่ช่องเปิดของหัวดูดฝุ่นกำลังสูง (10) และตรวจสอบให้แน่ใจว่าข้อต่อ (10a) เข้าตรงร่อง (3a) โดยจะได้ยินเสียงดังคลิก

การถอดหัวดูดฝุ่นกำลังสูง (รูป E)

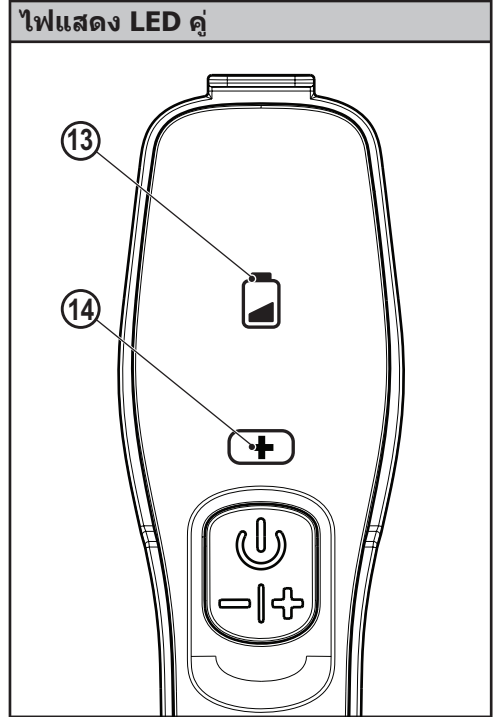
- ♦ กดปุ่มปล่อยหัวดูดฝุ่นกำลังสูง (10b)
- ♦ ยกส่วนเครื่องดูดฝุ่นหลักจากหัวดูด (10)

การนำแถบตีฝุ่นจออกจากหัวดูดฝุ่นกำลังสูง (รูป F)

- ♦ กดปุ่มปล่อยแถบตีฝุ่น (10c)
- ♦ ยกแถบตีฝุ่น (10d) ขึ้นและนำออกจากหัวดูดฝุ่นกำลังสูง
- ♦ จะสามารถขจัดเศษเส้นผมและเศษฝุ่นผงที่สะสมจากแถบตีฝุ่นได้

การชาร์จ (รูป G)

- ♦ วางเครื่องดูดฝุ่นลงบนฐานชาร์จ (8)
- ♦ เปิดสวิตช์เต้าเสียบไฟฟ้า ไฟ LED บอกลสถานะการชาร์จ (B) จะสว่างขึ้น



13. ไฟ LED บอกลสถานะการชาร์จจะสว่าง

ไอคอนแบตเตอรี่จะสว่างขึ้นเมื่อเปิดเครื่องดูดและจะกะพริบเมื่อแบตเตอรี่ใกล้หมด ซึ่งจะกะพริบระหว่างการชาร์จ (ดูตารางรูปแบบไฟ LED ใต้ในคู่มือนี้)

14. โหมด BOOST

จะสว่างขึ้นเมื่อเครื่องดูดฝุ่นอยู่ในโหมด BOOST

รูปแบบไฟ LED

██████████	กำลังชาร์จ
██████████	เกิดความผิดปกติกับแบตเตอรี่
██████████	เกิดความผิดปกติกับฐานชาร์จ
██████████	แบตเตอรี่ร่อน

คำเตือน! ห้ามชาร์จเครื่องขณะติดตั้งหัวดูดฝุ่นกำลังสูง เพราะอาจทำให้เครื่องเสียหายและอาจก่อให้เกิดปัญหาด้านความปลอดภัย

การทำความสะอาดไส้กรอง (รูป , H, I, J, K, L, M)

- กดปุ่มปล่อยที่เก็บฝุ่น (7) (รูป H)
- นำที่เก็บฝุ่นออก (6) (รูป I)
- ยกขึ้นส่วนไส้กรอง (11) โดยใช้ที่จับเหล็กที่ให้กับที่เก็บฝุ่น (6) (รูป J)

หมายเหตุ: ในชุด DVJ325BFSP ไส้กรองพลาสติก(15) จะขูดกลิ่นหอมเพื่อปล่อยกลิ่นหอมขณะใช้งานเครื่องดูดฝุ่น

- เทที่เก็บฝุ่น (6) โดยการเขย่าเบาๆ เหนือถังขยะ (รูป K)
- สามารถนำไส้กรอง (12) ออกจากชิ้นส่วนไส้กรองได้ (11) (รูป L)
- เทฝุ่นผงที่เหลือจากที่เก็บฝุ่น
- ล้างที่เก็บฝุ่นด้วยน้ำอุ่นผสมสบู่
- ล้างไส้กรองด้วยน้ำอุ่นผสมสบู่ (รูป M)
- ตรวจสอบให้แน่ใจว่าไส้กรองแห้งสนิท
- ติดตั้งไส้กรองเข้ากับเครื่องดูดฝุ่น
- ปิดที่เก็บฝุ่น ตรวจสอบให้แน่ใจว่าปุ่มปล่อยที่เก็บฝุ่น (7) เข้าที่จนได้ยินเสียงคลิก

คำเตือน! ถอดปลั๊กเครื่องดูดฝุ่นก่อนทำการซ่อมบำรุงหรือทำความสะอาดเครื่องดูดฝุ่น

เช็ดเครื่องดูดฝุ่นด้วยผ้าชุบน้ำหมาดๆ เป็นครั้งคราว ห้ามใช้น้ำยาทำความสะอาดที่มีฤทธิ์กัดกร่อน หรือ มีส่วนผสมของตัวทำละลาย และ ห้ามจุ่มเครื่องดูดฝุ่นลงในน้ำ

การบำรุงรักษา

เครื่องดูดฝุ่นแบบไร้สายของ Black + Decker ออกแบบมาเพื่อใช้งานได้อย่างยาวนาน และต้องการการบำรุงรักษาน้อยที่สุด ความพึงพอใจในการใช้งานอย่างต่อเนื่องจะขึ้นอยู่กับ การดูแลรักษาเครื่องมือและ การทำความสะอาดอย่างสม่ำเสมอ

คำเตือน! ก่อนทำการบำรุงรักษาเครื่องดูดฝุ่นไร้สาย ให้ดำเนินการต่อไปนี้

- หากเป็นแบตเตอรี่ในตัว ให้ใช้แบตเตอรี่จนหมด จากนั้นจึงปิดสวิตช์
- ถอดปลั๊กสายชาร์จออกก่อนทำความสะอาด สายชาร์จของคุณไม่จำเป็นต้องมีการบำรุงรักษา นอกเหนือจากการทำความสะอาดเป็นประจำ
- ทำความสะอาดช่องระบายอากาศในเครื่องดูดฝุ่น/ เครื่องชาร์จอยู่เสมอโดยใช้แปรงนุ่มหรือผ้าแห้ง
- ทำความสะอาดฝาครอบมอเตอร์อย่างสม่ำเสมอโดยใช้ผ้าแห้งหมาด ห้ามใช้น้ำยาทำความสะอาดที่มีฤทธิ์กัดกร่อน หรือ มีส่วนผสมของตัวทำละลาย

การเปลี่ยนไส้กรอง

ควรเปลี่ยนไส้กรองทุก 6 หรือ 9 เดือน หรือเมื่อใดก็ตามที่ไส้กรองเสื่อมสภาพหรือมีความเสียหาย สามารถติดต่อขอซื้ออะไหล่ไส้กรองได้จาก ตัวแทนจำหน่าย Black + Decker

สามารถติดต่อขอซื้อไส้กรองที่มีการเคลือบกลิ่นหอมได้ สามารถติดตั้งได้กับเครื่องดูดฝุ่นรุ่นนี้เช่นกัน เมื่อไส้กรองหมดอายุการใช้งาน จะสามารถกำจัดทิ้งที่ศูนย์นี้ไซเคิลในท้องถิ่น

ไส้กรองจะจัดส่งมาในบรรจุภัณฑ์พอยล์ซึ่งต้องนำออกไปรดตุรูป I หากต้องการประกอบไส้กรอง

คำเตือน!

การหยิบจับผ้าฝ้ายลินินที่มีการเคลือบน้ำหอม



ล้างหน้า ล้างมือ และพื้นผิวที่สัมผัสกับน้ำหอมอย่างละเอียดหลังจากหยิบจับ สวมใส่ถุงมือป้องกัน/ชุดป้องกัน/แว่นตาป้องกัน/อุปกรณ์ป้องกันใบหน้า หากเข้าตา: ล้างตาอย่างระมัดระวังด้วยน้ำเปล่าหลายนาที หากสวมใส่คอนแทกเลนส์ ให้ถอดคอนแทกเลนส์ออก (หากทำได้) แล้วล้างด้วยน้ำเปล่าต่อไป หากมีอาการระคายเคือง ให้ปรึกษาแพทย์ทำการล้างในถังขยะอย่างเหมาะสม ห้ามบริโภค



- นำไส้กรองเก่าออกตามที่อธิบายข้างต้น
- ติดตั้งไส้กรองใหม่ตามที่อธิบายข้างต้น

การคุ้มครองสิ่งแวดล้อม



การเก็บรวบรวมแบบคัดแยก ห้ามทิ้งผลิตภัณฑ์นี้ร่วมกับขยะในครัวเรือนปกติ

หากเมื่อใดก็ตามที่จำเป็นต้องเปลี่ยนผลิตภัณฑ์ Black + Decker หรือถ้าคุณไม่ได้ใช้งานเครื่องมือนี้อีกต่อไป อย่าทิ้งผลิตภัณฑ์นี้ร่วมกับขยะในครัวเรือน จัดการกับผลิตภัณฑ์นี้เพื่อให้พร้อมสำหรับการคัดแยกขยะ



การคัดแยกผลิตภัณฑ์และบรรจุภัณฑ์ที่ใช้แล้วช่วยให้สามารถรีไซเคิลและนำวัสดุกลับมาใช้งานได้ อีก การนำวัสดุรีไซเคิลมาใช้อีกครั้งจะช่วงป้องกันมลพิษต่อสิ่งแวดล้อมและลดความต้องการวัตถุดิบได้

หน่วยงานที่ดูแลด้านกฎระเบียบท้องถิ่นอาจมีการจัดเตรียมสถานที่สำหรับการเก็บรวบรวมแบบคัดแยกอุปกรณ์ไฟฟ้าที่ใช้ภายในครัวเรือนไว้ ณ แหล่งรับขยะของเทศบาล หรืออาจมีการรับอุปกรณ์ใช้แล้วจากผู้ค้าปลีกในกรณีที่คุณซื้อผลิตภัณฑ์ชิ้นใหม่

ข้อมูลด้านการบริการ

Black + Decker มีเครือข่ายศูนย์บริการทั้งที่บริษัท เป็นเจ้าของและที่ได้รับอนุญาตมากมายทั่วโลก ศูนย์บริการของ Black + Decker ทุกแห่งมีบุคลากรที่ชำนาญการไว้คอยให้บริการลูกค้าเกี่ยวกับผลิตภัณฑ์อย่างมีประสิทธิภาพและเชื่อถือได้

โปรดติดต่อศูนย์ของ Black + Decker ที่ใกล้คุณที่สุด

หากคุณต้องการคำแนะนำด้านเทคนิค การซ่อมแซม หรือ การเปลี่ยนชิ้นส่วนแท้จากโรงงาน

หมายเหตุ

- เนื่องจาก Black + Decker มีนโยบายพัฒนาปรับปรุงผลิตภัณฑ์อย่างต่อเนื่อง ดังนั้น เราจึงขอสงวนสิทธิ์ในการเปลี่ยนแปลงข้อมูลจำเพาะของผลิตภัณฑ์โดยไม่ต้องแจ้งให้ทราบล่วงหน้า
- อุปกรณ์มาตรฐานและอุปกรณ์เสริมอาจแตกต่างกันในแต่ละประเทศ
- ข้อมูลจำเพาะของผลิตภัณฑ์อาจแตกต่างกันในแต่ละประเทศ
- ตัวเลือกผลิตภัณฑ์อาจมีจำหน่ายไม่ครบทุกรายการในบางประเทศ โปรดติดต่อตัวแทน Black + Decker ในท้องถิ่นของคุณเพื่อสอบถามความพร้อมจำหน่ายของผลิตภัณฑ์

ข้อมูลด้านเทคนิค

DVJ325BFSP	
แรงดันไฟฟ้า	10.8 โวลต์
กระแสไฟฟ้า	2.5 แอมป์ชั่วโมง
เวลาในการชาร์จโดยประมาณ	7 ชั่วโมง
น้ำหนัก (หัวตูด + ตัวเครื่อง)	1.6 กก.

