

This Owner's Manual is provided and hosted by [Appliance Factory Parts](#).



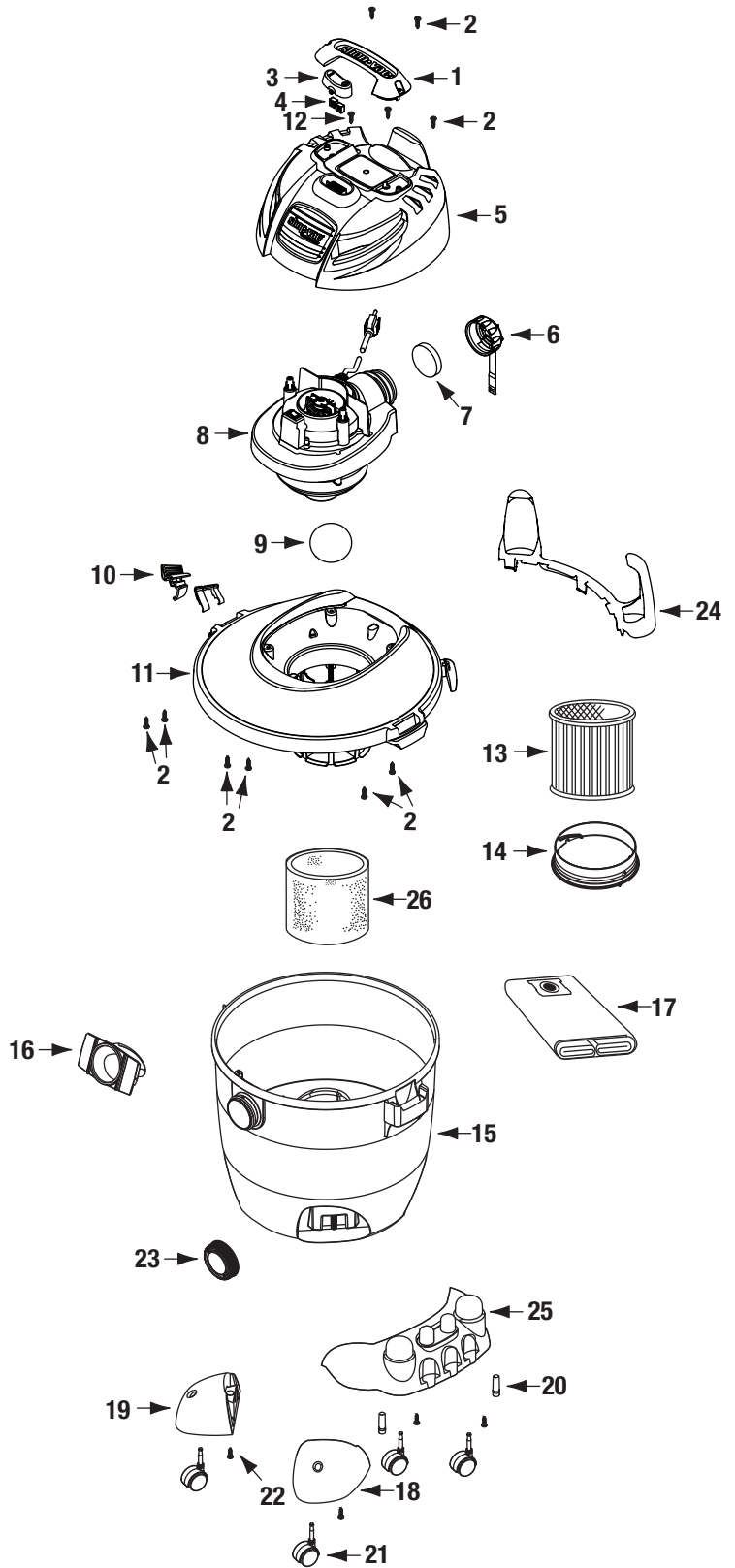
Shop Vac SC16-SQ550 Owner's Manual

[Shop genuine replacement parts for Shop Vac
SC16-SQ550](#)



[Find Your Shop Vac Vacuum Cleaner Parts - Select From 487 Models](#)

----- Manual continues below -----



ITEM	DESCRIPTION	PART NO.
1	Handle	3756302
2	Screw 10 x 3/4 Trilobe, Twin Lead	1517699
3	Switch Rocker	8230421
4	Switch Button Extension	7414254
5	Motor Cover Assembly (Includes #3-4 & 12)	2433458
6	Blower Port Diffuser Cap (Includes #7)	1945329
7	Foam - Diffuser	1290530
8	Power Unit Assembly	8305097
9	Ball Float	0081120
10	Lid Latch	1945462
11	Lid Cage & Latch Assembly	3188122
12	Screw KA 40 x 15MM	1518399
13	Cartridge Filter	90304
14	Filter Retainer	3008000
15	Tank Assembly	1027397
16	Inlet Deflector	7413120
17	High Efficiency Filter Bag	90672
18	Caster Foot A	8568000
19	Caster Foot B	8568010
20	Retainer	8565500
21	Caster	6774200
22	Screw 10 x 3/4" SL Hex Head	1503999
23	Drain Cover	7446800
24	Hose Holder	3857800
25	Caster Dolly (Includes #20)	7431135
26	Foam Sleeve	90585

*Replacement parts may differ from original equipment.