

This Owner's Manual is provided and hosted by [Appliance Factory Parts](#).



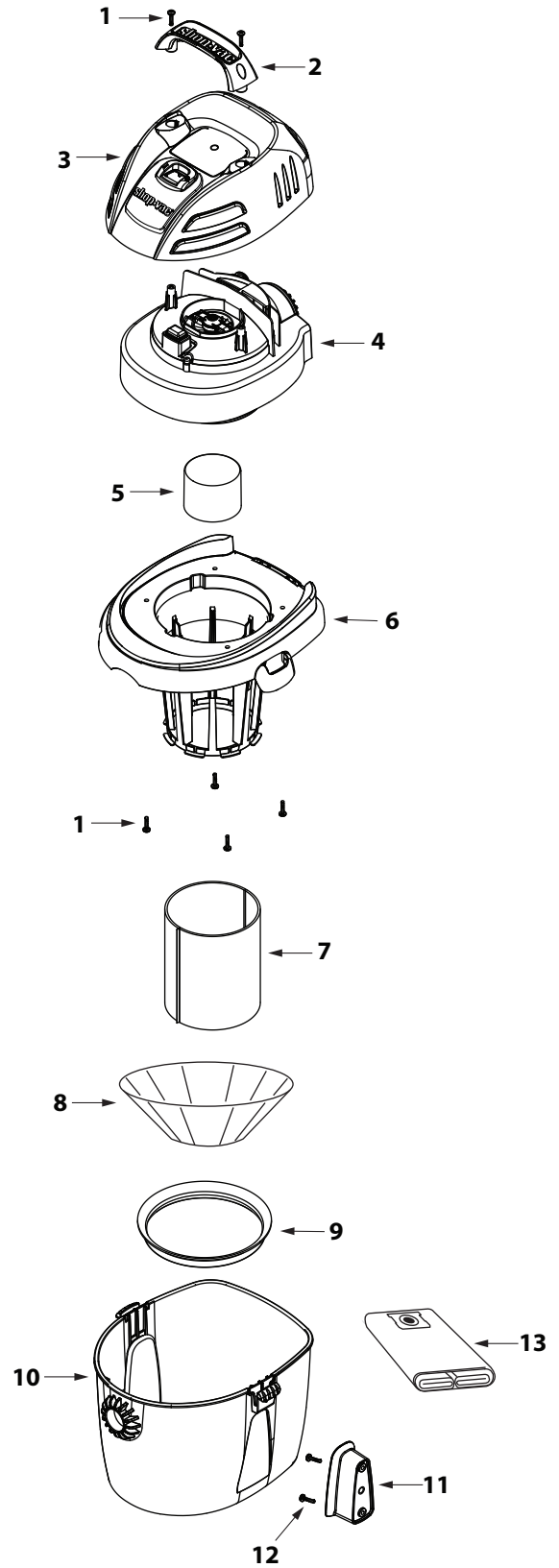
# Shop Vac L250 Owner's Manual

[Shop genuine replacement parts for Shop Vac L250](#)



[Find Your Shop Vac Vacuum Cleaner Parts - Select From 487 Models](#)

----- Manual continues below -----



ITEM	DESCRIPTION	PART NO.
1	Screw 10 X 3/4" Trilobe, Twin Lead	1517699
2	Handle	4510808
3	Motor Cover	4511830
4	Power Unit Assembly	1944554
5	Float	3545000
6	Lid Cage Assembly	4511150
7	Foam Sleeve	9058511
8	Reusable Dry Filter	9010711
9	Filter Ring	3006500
10	Tank Assembly	1098797
11	Wall Bracket	4510900
12	Screw #10 x 1 SLT Pan HD Type AB	1501199
13	Filter Bag	9066811

\*Replacement parts may differ from original equipment.