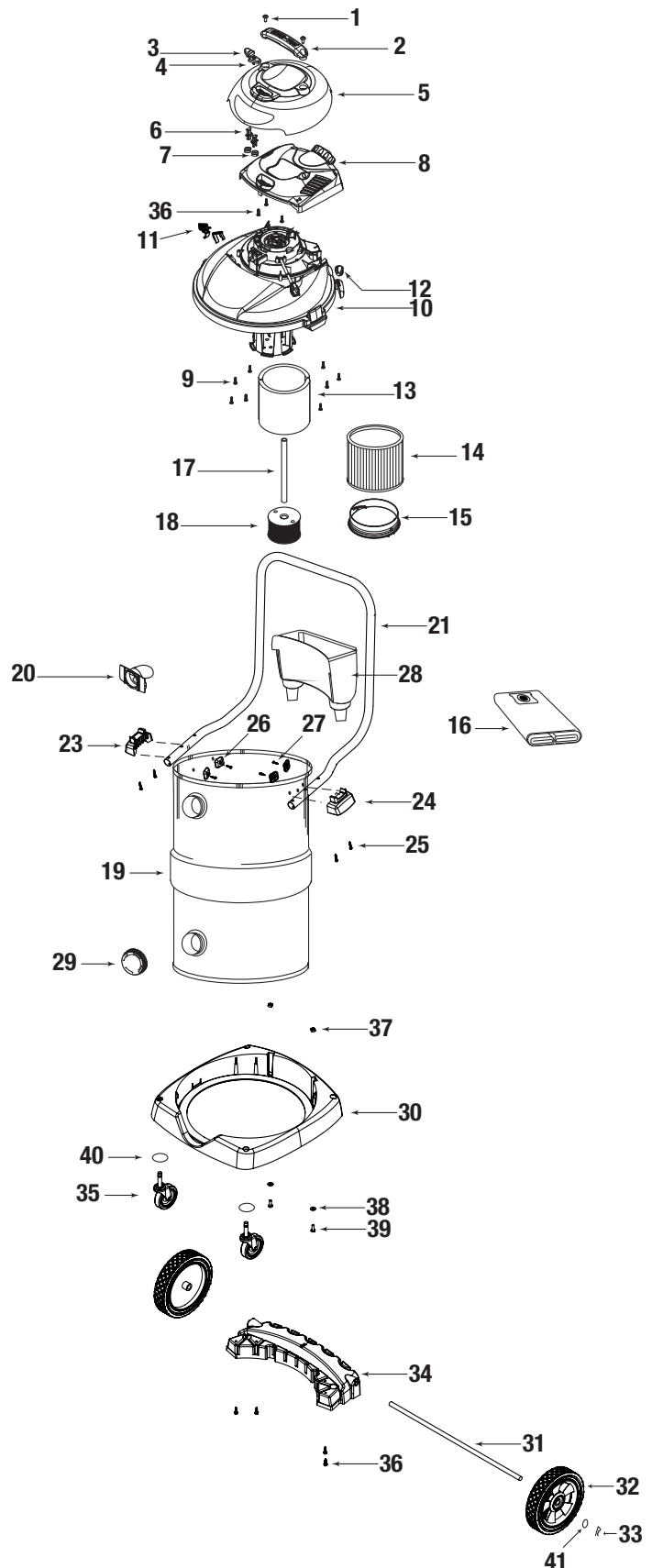


shop·vac®



ITEM	DESCRIPTION	PART NO.
1	Screw 1/4" x 1 1/2" Trilobe PH PAN	1517499
2	Handle	1944475
3	Switch Button - I	7414200
4	Switch Button - O	7414210
5	Outer Motor Cover Assembly	1944137
6	Switch Button Extension	7414250
7	Spring	2802899
8	Inner Motor Cover	1944260
9	Screw 10 - 3/4" Trilobe, Twin Lead	1517699
10	Power Unit Assembly	1944233
11	Lid Latch	1945462
12	Outlet Fitting Cap	1945023
13	Foam Sleeve	90585
14	Cartridge Filter	90304
15	Filter Retainer	3008000
16	Collection Bag	90216
17	Pickup Tube	2723103
18	Pickup Cage Assembly	7412250
19	Tank Assembly	5167297
20	Inlet Deflector	7413120
21	Carriage Handle	2080510
22	Handle & Hardware Package (Includes 23-27)	9355396
23	Side Tank Handle - Right	9355700
24	Side Tank Handle - Left	9355710
25	Screw 1/4 x 1 1/2" Hex Head	1511899
26	Handle Support	9355800
27	Screw #10 x 1 Hex Head	1509699
28	Accessory Basket	7442902
29	Drain Cover	7446800
30	Dolly	9382550
31	Axle (Includes 33+41)	2441197
32	Wheel	2425010
33	Hair Pin Clip	7000599
34	Tool Rack	9382750
35	Caster	6773900
36	Screw 10 x 3/4" SL Hex Head	1503999
37	Nut	0100299
38	Flat Washer	0700399
39	Screw Hex Head 1/4 - 20 x 3/4 long	0902999
40	Plastic Flat Washer	0704399
41	Flat Washer	0701599



*Replacement parts may differ from original equipment.